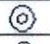
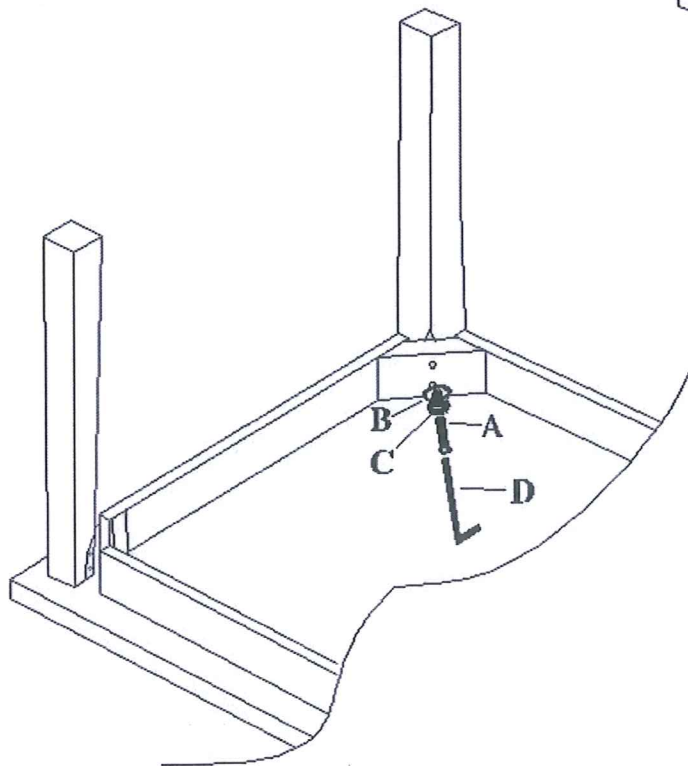
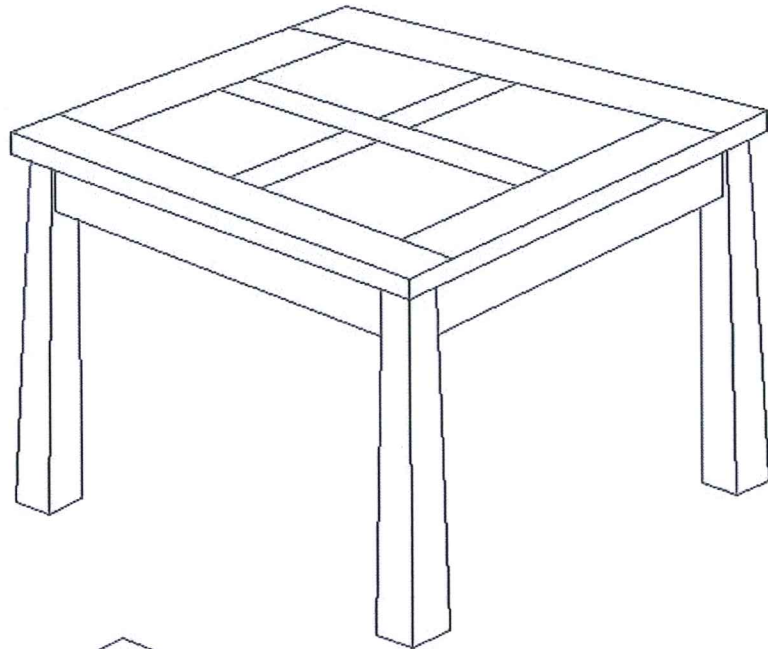


ASSEMBLY INSTRUCTION

PARTS LIST

S.W.S
2/24/12

Item	Drawing	Description	Pcs
A		Bolt Ø 5/16" x 2-1/4"	8
B		Flat Washer Ø 5/16" x 22mm	8
C		Spring Washer Ø 5/16"	8
D		Wrench 5/16"	1



Do not tighten screws until completely assembled.