


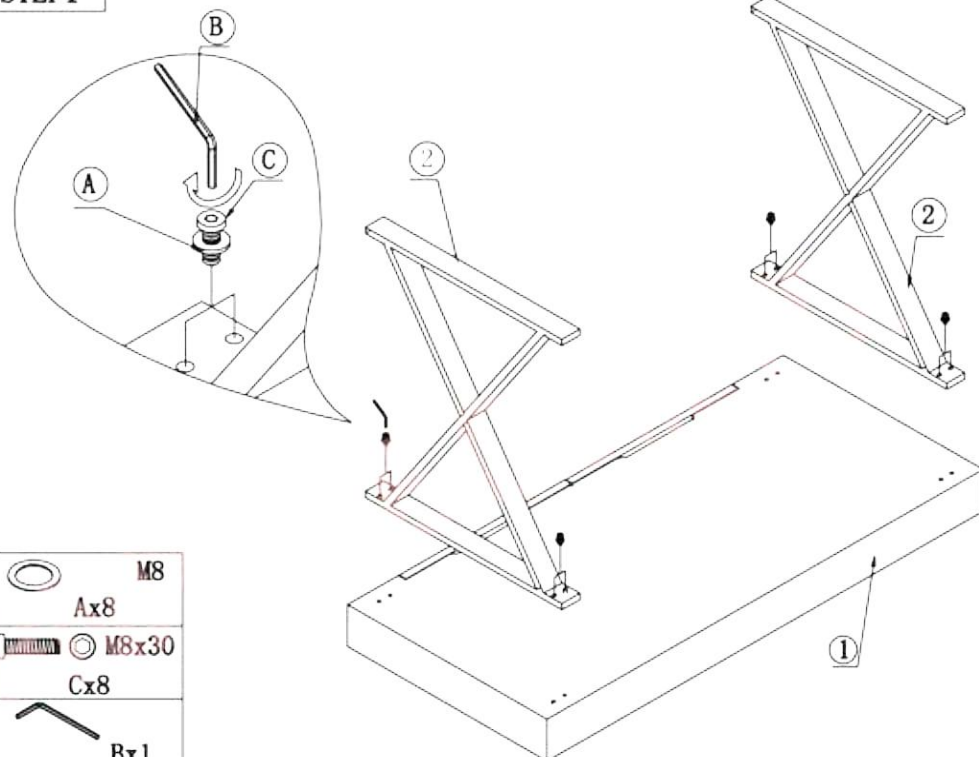





No	Part	Qty
1	Face Frame	1
2	Steel Pipe	2

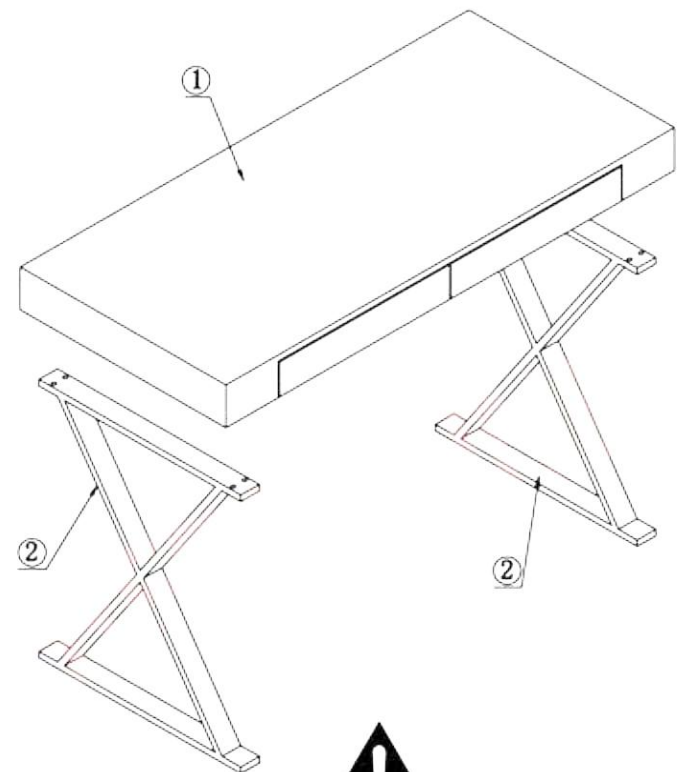
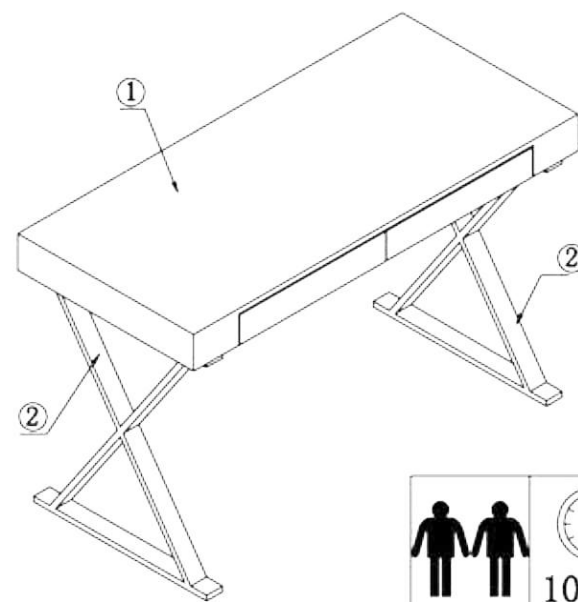
HARDWARE FOR BED				
No	Part	Qty		
A	 Gasket M8	8		
B	 Spanner (5mm)	1		
C	 Threaded Bolt M8x30	8		

STEP1



	M8
Ax8	
	M8x30
Cx8	
	Bx1

STEP2



- Please check contents and read instructions before commencing assembly.
- Please use a soft mat to avoid damaging during assembly
- Assemble this article following the enclosed instructions carefully.

Two people icon | 10min | Screwdriver icon