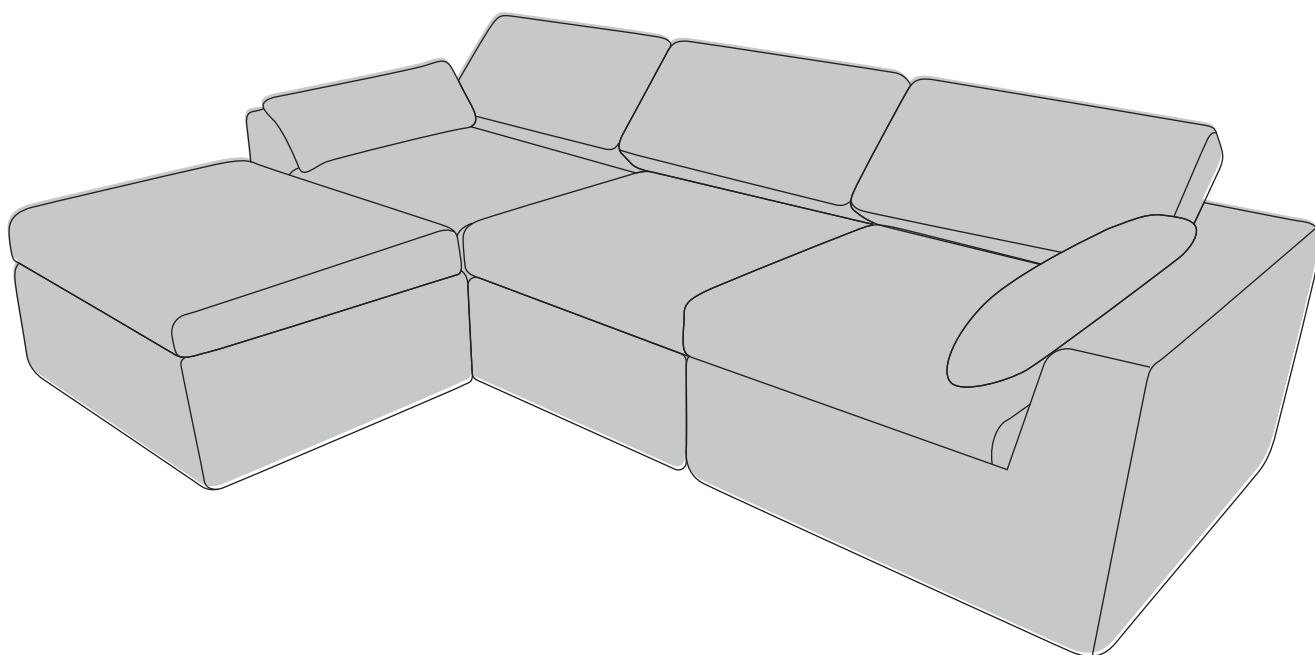


PRODUCT INSTRUCTION

ASSEMBLY INSTRUCTION





Disclaimer

To Valued Customers:

Thank you for purchasing furniture products from our store. To ensure your safety and the best user experience, please read and understand all the contents of this notice carefully before installation and use. Once you start installing or using this product, it is deemed that you have accepted all the following terms.

I. Regarding Installation

● **Professional Installation Recommendation:** For large, modular, or wall-mounted furniture, we strongly recommend that you hire qualified professionals for installation. Self-installation may involve risks.

● **Self-Installation Liability:** If you choose to install the product yourself, it means that you confirm you have the corresponding installation capability and voluntarily assume all risks and responsibilities arising from improper installation, including personal injury and property damage. Improper installation includes, but is not limited to, damage to product components due to ignoring installation instructions during the installation process, loose, missing, or wrong installation of connectors, and obvious instability such as tilting and shaking due to improper placement after installation.

● **Follow Official Instructions:** Installation must strictly follow the steps in the Installation Manual and diagrams provided with the product. Do not rely on any installation guidance from unofficial channels. Our company shall not be responsible for any problems caused by failure to follow official instructions.

● **Safe Installation Environment:** Please carry out the installation in a spacious, bright, and well-ventilated environment and use appropriate tools. During installation, please keep children and pets away from the work area to prevent accidental ingestion of small parts or accidental injuries.

II. Regarding Usage

● **Weight Capacity Limit:** Please strictly comply with the maximum weight capacity limit indicated on the product. Overloading may cause structural damage, deformation, or overturning of the furniture, leading to serious accidents. Our company shall not be responsible for any consequences arising therefrom.

●**Wall Mounting (Mandatory Requirement):** To prevent furniture overturning accidents, especially when there are children at home, you must use the anti-tip devices provided in the product package to permanently connect and fix the furniture to a solid wall. If the fixing devices are damaged or substandard, please contact us immediately through the purchasing platform to obtain replacement parts.

Special Warning: The fixing method must fully comply with the requirements in the manual. Failure to fix as required may cause the furniture to overturn, resulting in serious injury or death. Our company shall not be responsible for any furniture overturning and all consequences caused by failure to perform wall mounting or improper fixing.

●**Regular Inspection and Maintenance:** It is recommended that you regularly (especially in the early stage of installation and after moving) inspect and tighten all connectors (screws, bolts, etc.) to ensure the structural stability of the furniture (see the maintenance method in the manual for details). Problems caused by neglect of inspection and maintenance are not covered by the warranty.

●**Proper Use and Placement:**

Place the furniture on a flat and solid floor.

Do not use the furniture for purposes other than its designed use (for example, standing on drawers or shelves, using a chair as a ladder, etc.).

Do not place heavy objects such as televisions or items that attract children on the upper part of the furniture.

Avoid placing the furniture in humid, sun-exposed, or extreme temperature environments to avoid affecting the product's service life or structural stability.

III. Liability Limitation

Our company provides warranty services for product quality in compliance with platform policies and relevant regulations. However, our company shall not be legally responsible for any direct or indirect personal injury, property damage, and other incidental losses caused by the following reasons:

Failure to comply with the requirements of this notice, the official Installation Manual, or product labels;

Misuse, abuse, negligence, or unauthorized repair or modification without our company's authorization;

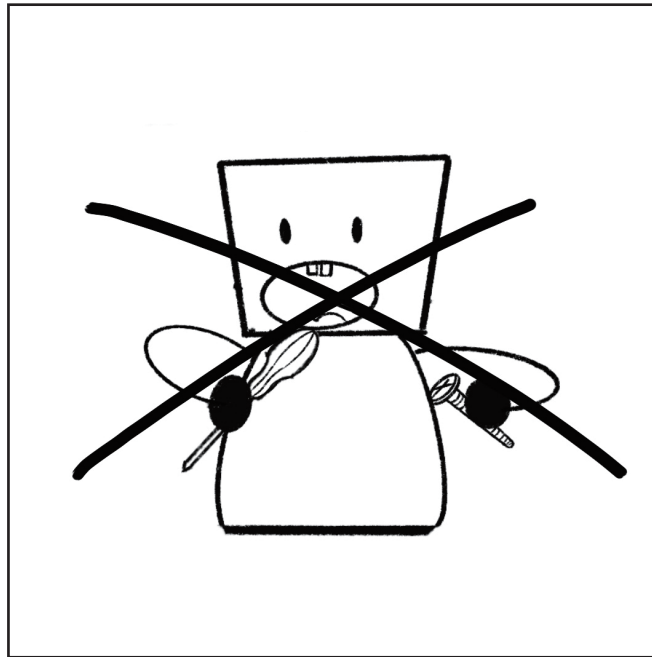
Improper installation (whether carried out by the user or a third party not designated by our company);

Force majeure events.

Safety first, prevention is better than cure. We wish you a pleasant use!



Children should use this product only with adult supervision.



**DO NOT PLAY WITH OR
SWALLOW SMALL PARTS**

Weight Capacity:

–Do not place items exceeding the maximum weight capacity of the product. (For the product’s weight capacity, please refer to the product link.)

Usage Scenarios and Maintenance Methods

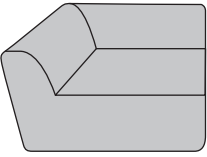
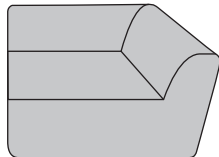
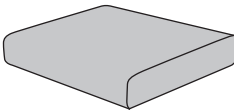
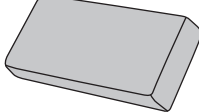
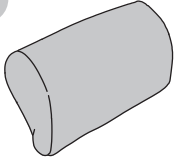
- Do not place the product in a humid environment.
- Avoid direct exposure to high temperatures and keep it away from heat sources.
- Clean and maintain the product regularly.
- Place it on a flat surface. When moving is required, ensure that at least two people lift it together.

Parts List

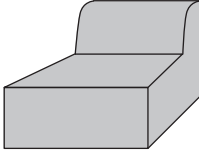
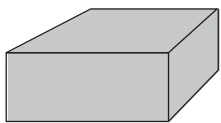
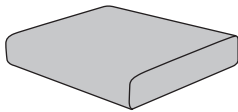
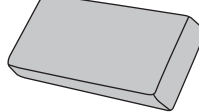
Please check all parts and accessories according to the parts list before assembling, make sure all contents are sufficient and in good condition.

If there is any parts missing or defective, please contact us immediately with purchase platform message to get replacement parts.

Package A:

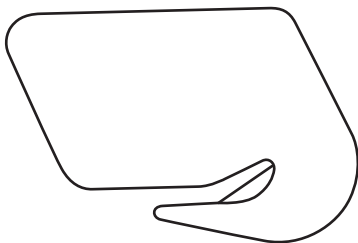
 <p>a</p> <p>Seat A*1</p>	 <p>c</p> <p>Seat C*1</p>	 <p>e</p> <p>76*70*15cm Seat Cushion*2</p>	 <p>f</p> <p>76*50*24cm Cushion*2</p>	 <p>g</p> <p>88*35*4cm Armrests Cushion*2</p>
--	--	---	---	--

Package B:

 <p>b</p> <p>Seat B*1</p>	 <p>d</p> <p>100*75*33cm Single Footrest*1</p>	 <p>e</p> <p>76*70*15cm Seat Cushion*2</p>	 <p>f</p> <p>76*50*24cm Cushion*1</p>
---	--	---	---

Warm Tip:

When using cutting tools,take care to avoid damaging the product. Keep all packaging materials away from children, as they pose a potential suffocation hazard.

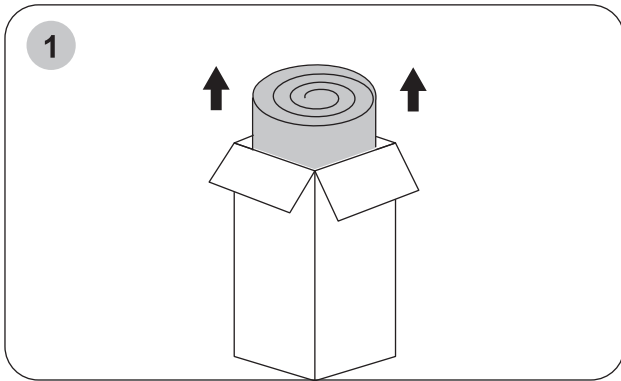


Handy opener tool is one option to get started.
Find it in the package box.

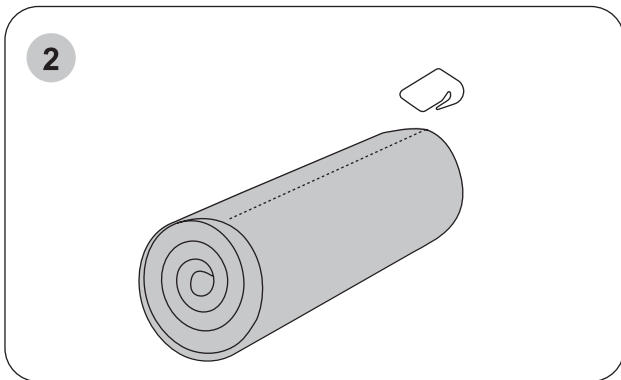


Caution: This cutter is sharp,
please keep it away from children.

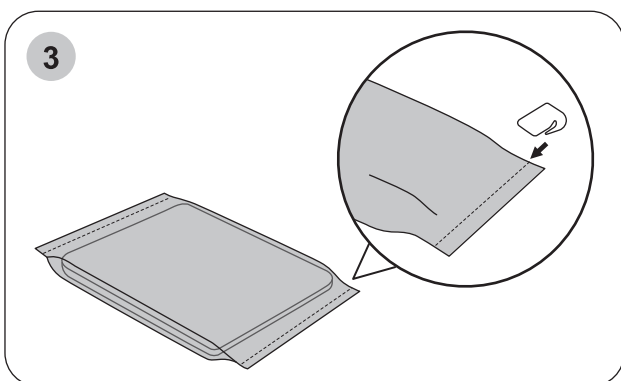
1. HOW TO PROPERLY UNBOX THE SOFA.



Take out the compressed sofa from the package and place it on a flat and clean ground.



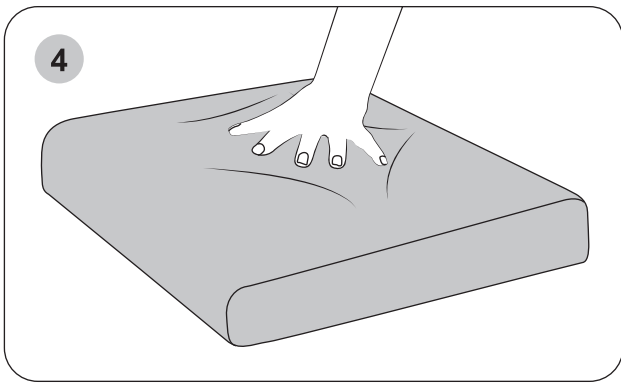
Carefully open the outermost polybag with the provided cutting tool. Be careful not to puncture the inner vacuum packaging.



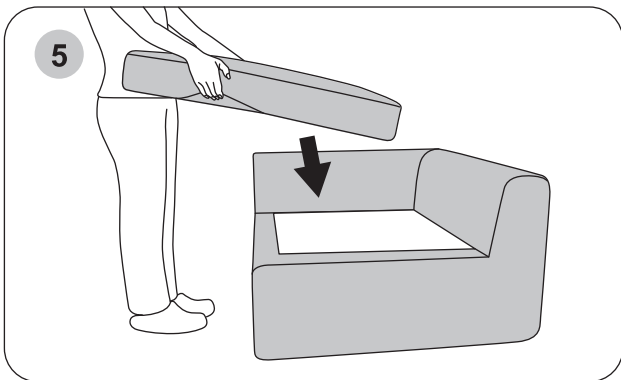
Use the provided cutting tool to carefully open the inner vacuum packaging. Make sure to be extra careful not to cut the products inside.



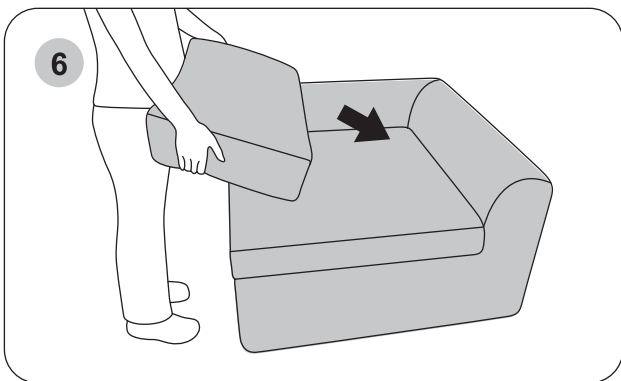
If the inner vacuum packaging is punctured, the compressed sofa will unroll quickly. When decompressing, always stand at the end of the compressed sofa to avoid injury.



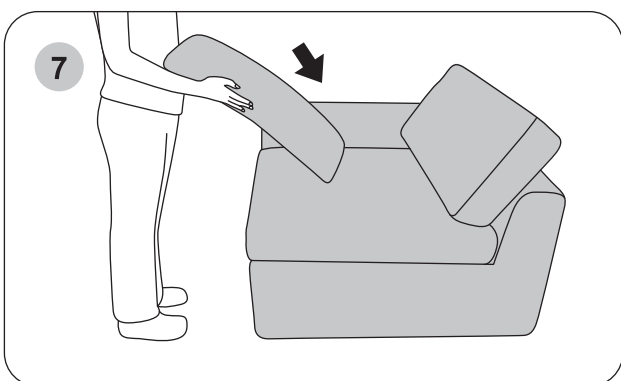
Gently patting the cushions can make it more fluffy and elastic, providing a more comfortable sitting experience.



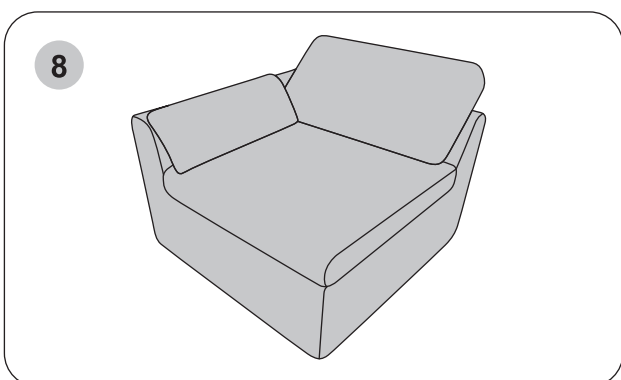
Place the seat cushions on the seats of the sofa.



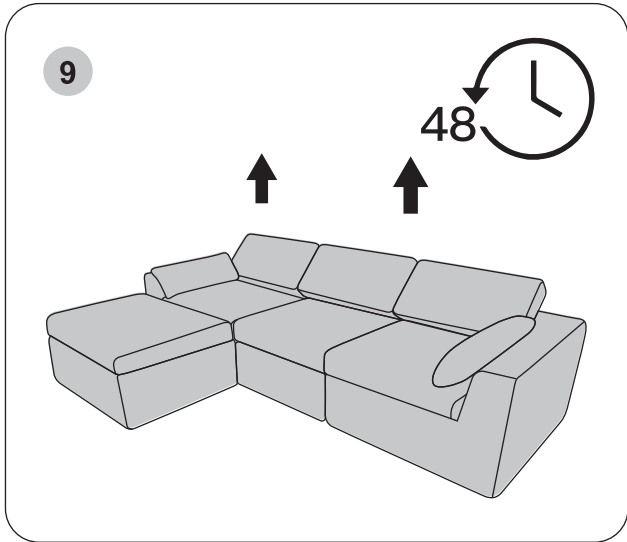
Then place the sofa cushions.



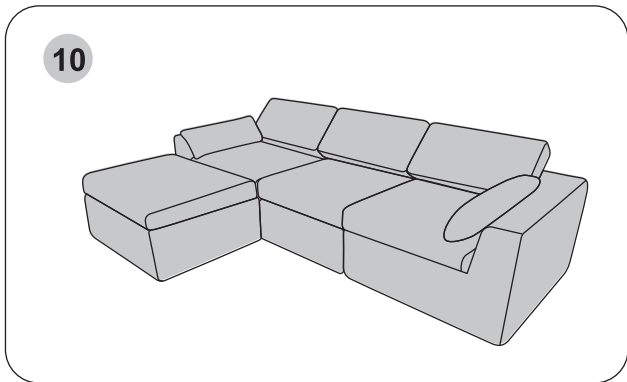
Put the sofa's armrest cushions in place.



As shown in the picture, the installation of the sofa seat cushion and backrest has been completed.



1. Unroll the sofa.
2. The sofa may take about 48 hours to fully expand.
(Note: The sofa can be used normally during the unfolding period.)

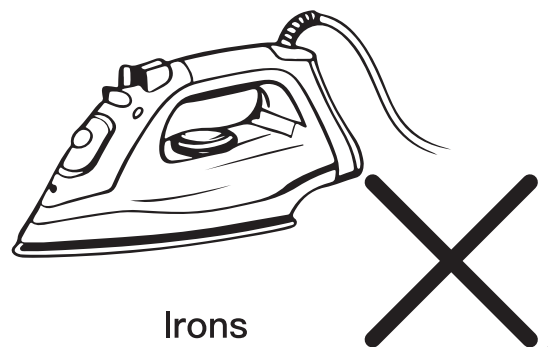


Different people have different perceptions of firmness and softness. Some people find it firm, while others find it soft. Please give the sofa enough time to overcome the first impression bias.



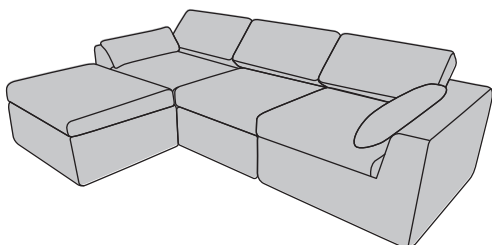
WARNING

When the sofa fabric wrinkles, you can use a steam iron at 80 to 120 degrees Celsius for ironing. Do not use an electric iron, and do not remove the outer fabric to iron the sponge directly.



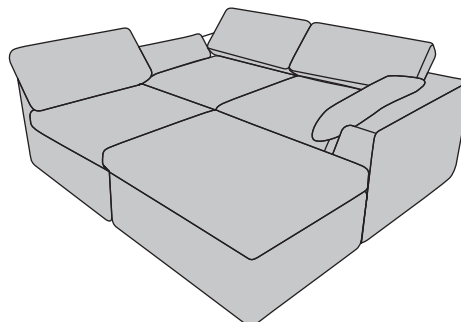
2.MULTIFUNCTIONAL ASSEMBLY INSTRUCTIONS

1



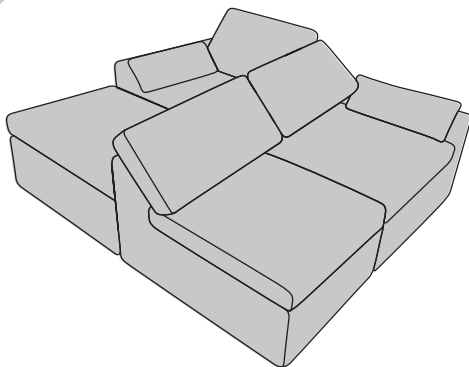
Leisure Sofa

2



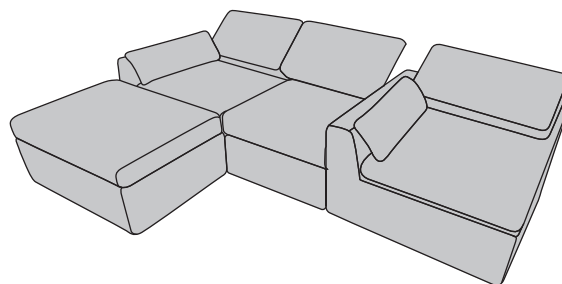
Double Bed/Play Mode

3



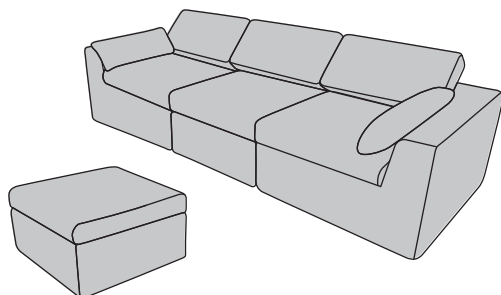
Two Single Beds

4



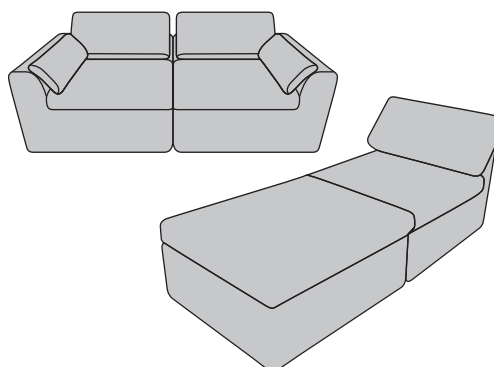
Entertainment Mode

5



Three-seater Sofa With a Single Footrest

6



Double Sofa + Single Bed

Sponge products

Ensure that **only adults** perform the installation, and keep children away from the installation area.

Instructions for Use

- (1) **Proper Placement:** Ensure that sponge – like products are placed on a flat and dry surface. Avoid deformation caused by uneven force.
- (2) **Usage Scenarios:** Sponge – like products can only be used in indoor environments. Avoid long – term exposure to direct sunlight or humid environments to prevent aging, yellowing, or mildew.
- (3) **Even Force Application:** Avoid sitting in the same position for a long time, which may cause local collapse, so as to extend the service life.
- (4) **Cleaning Frequency:** Regularly clean surface dust and stains to maintain hygiene.
- (5) **Prevent Pet Scratching:** Pets may damage textiles. It is recommended to use protective covers or regularly trim your pets' nails.



Notes

- **Avoid Sharp Objects:** Prevent sharp objects from scratching or piercing the sponge surface, which may damage the internal materials.
- **Keep Away from High Temperatures and Fire Sources:** Sponges are flammable. Keep them away from high temperatures, open flames or heat sources to prevent fires.
- **Moisture and Mildew Prevention:** Use moisture – proof mats or ventilate regularly in humid environments to prevent the sponge from getting moldy.

- Avoid Jumping on the Product or Placing Heavy Objects to Prevent Sponge Deformation.
- Avoid Pulling Forcefully, Which May Cause Structural Damage.
- Only iron the surface fabric of the sofa; do not iron the inner layer.



Maintenance Methods

(1) **Regular Turning:** It is recommended to rotate or swap the position of the sponge pad every 3 months to ensure even force distribution on the sponge and prevent sagging.

(2) **Cleaning Method:** Use a vacuum cleaner to remove surface dust. For local stains, gently wipe with a neutral cleaner. Avoid using strong acid or strong alkali cleaners.

(3) **Dust – Proof Protection:** Use a dust cover or sofa cover to reduce direct contact with dust and stains.

(4) **Ventilation and Air – Drying:** Regularly place sponge – like products in a well – ventilated area indoors for air – drying. Make sure not to expose them to direct sunlight outdoors.

(5) **Moisture – Proof Measures:** Use a dehumidifier or place a moisture absorbent during humid seasons, and put a moisture – proof mat under the product.

After-Sale Support

Dear Customer,

Thank you for choosing to purchase our products! We attach great importance to your shopping experience and hope to ensure that you are satisfied with this purchase.

Should you have any questions, please contact us through the original purchase platform. We will reply your messages as soon as possible, please kindly wait for the response from our team.

Thank you again for your understanding and support! If you have any other questions, please feel free to contact us at any time.

Best Regards,
After sales service team