



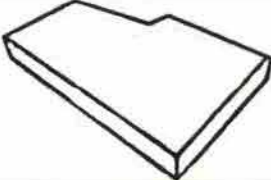






## ASSEMBLY INSTRUCTION REVERSIBLE SOFA CHAISE WITH 2 PILLOWS

**NOTE:** Do not use power tools for assembly. Power tools increase the risk of over tightening which lead to splitting or cracking the wood.

### COMPONENT LIST

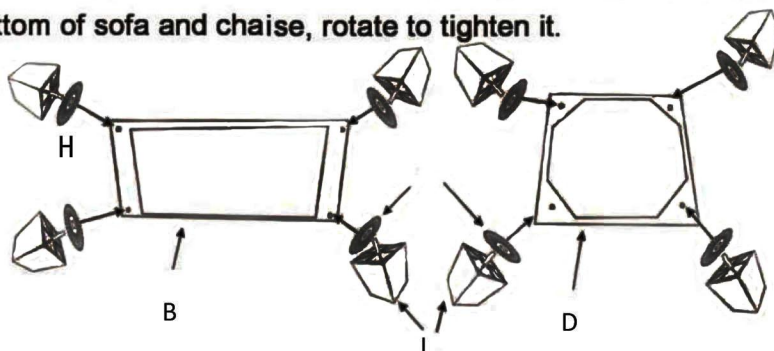
NO.	DRAWING	QTY	DESCRIPTION
A		3	BACK CUSHION
B		1	SOFA FRAME
C		1	BACK RAIL
D		1	OTTOMAN FRAME
E		1	CHAISE SEAT CUSHION
F		2	SOFA SEAT CUSHION
G		2	PILLOW
H		8	GASKET
I		8	PLASTIC LEG

Please follow the drawings below to assemble the item.

**Step 1.**

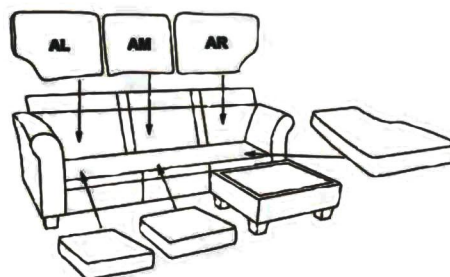
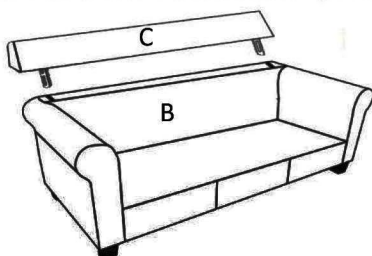
Plastic legs are packed in bubble bag and stored in the bottom of the unit. please take out for assembly.

Insert the gasket onto the plastic legs, align the legs to the pre-drilled holes at the bottom of sofa and chaise, rotate to tighten it.



**Step 2.** Insert back rail into back rest and make sure it's secured in position.

**Step 3**



**Step 4. Completed**



**CARE INSTRUCTION FOR 100% POLYESTER FURNITURE:**

In order to maintain the original appearance of your 100% polyester furniture, please follow below care procedures:

- Avoid exposing furniture directly to sunlight or heating and air conditioning outlets. Sunlight and / or exposure to heating and air conditioning outlets will fade/damage 100% polyester. Do not place your upholstered furniture too close to windows, radiators, or vents, and be sure to use window treatments to block the sun's rays.

- Vacuum or wipe with a soft brush to remove dust.

- Clean 100% polyester with professional cleanser.



For items use on wooden floor, hard surfaces or carpets, it is recommended to install protective pads under all legs and supports to avoid/prevent from damages/scratches and discoloration.