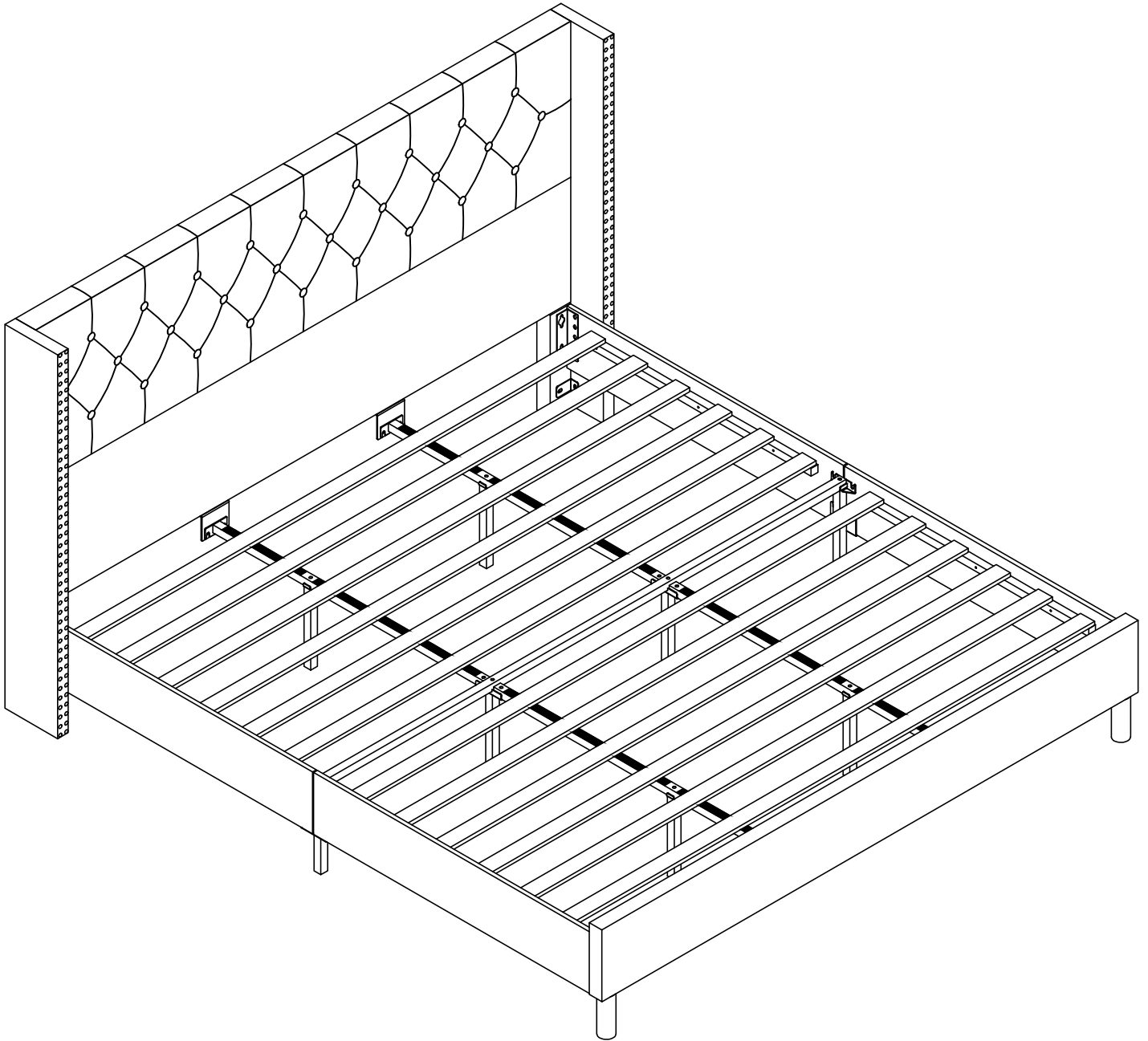


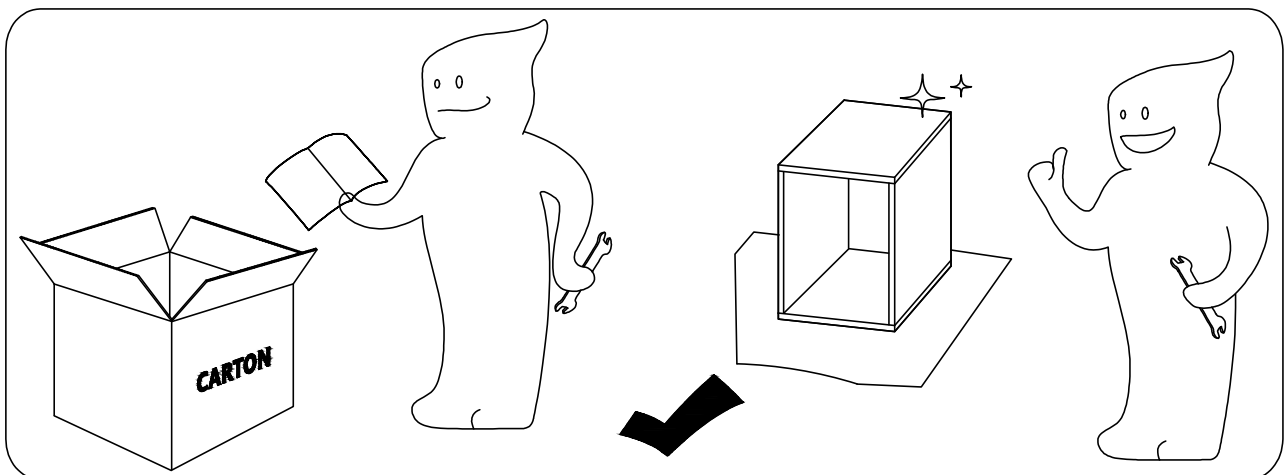
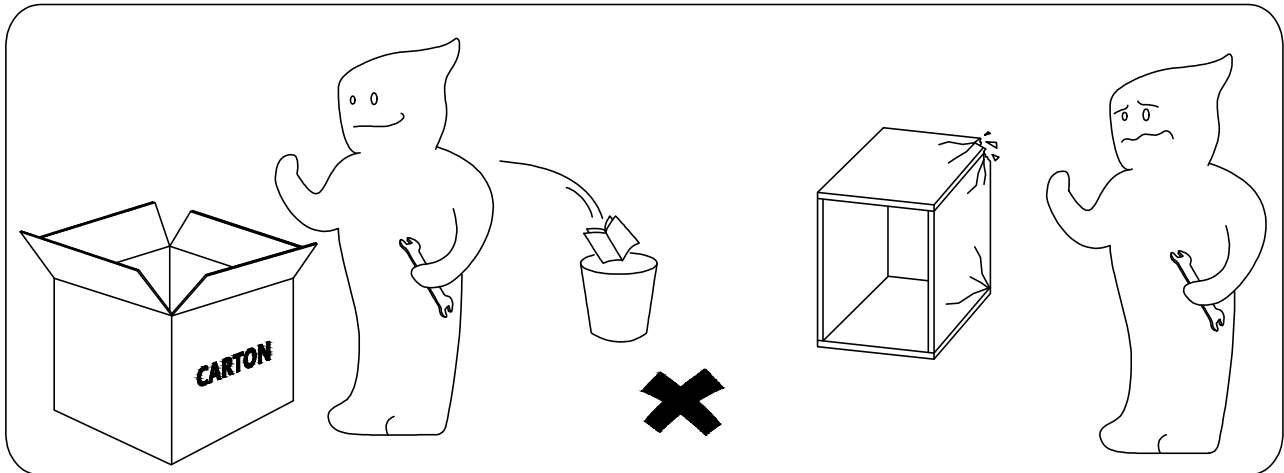
ASSEMBLY INSTRUCTIONS



Dear Customers,
Thank you for purchasing our product. Please read this instruction manual carefully after receiving this product. It will help you assemble this product quickly, safely and correctly. You can keep this manual for future reference.

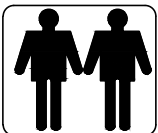
! IMPORTANT

Please follow the instruction manuals and use a pad to protect the product during your assembly.

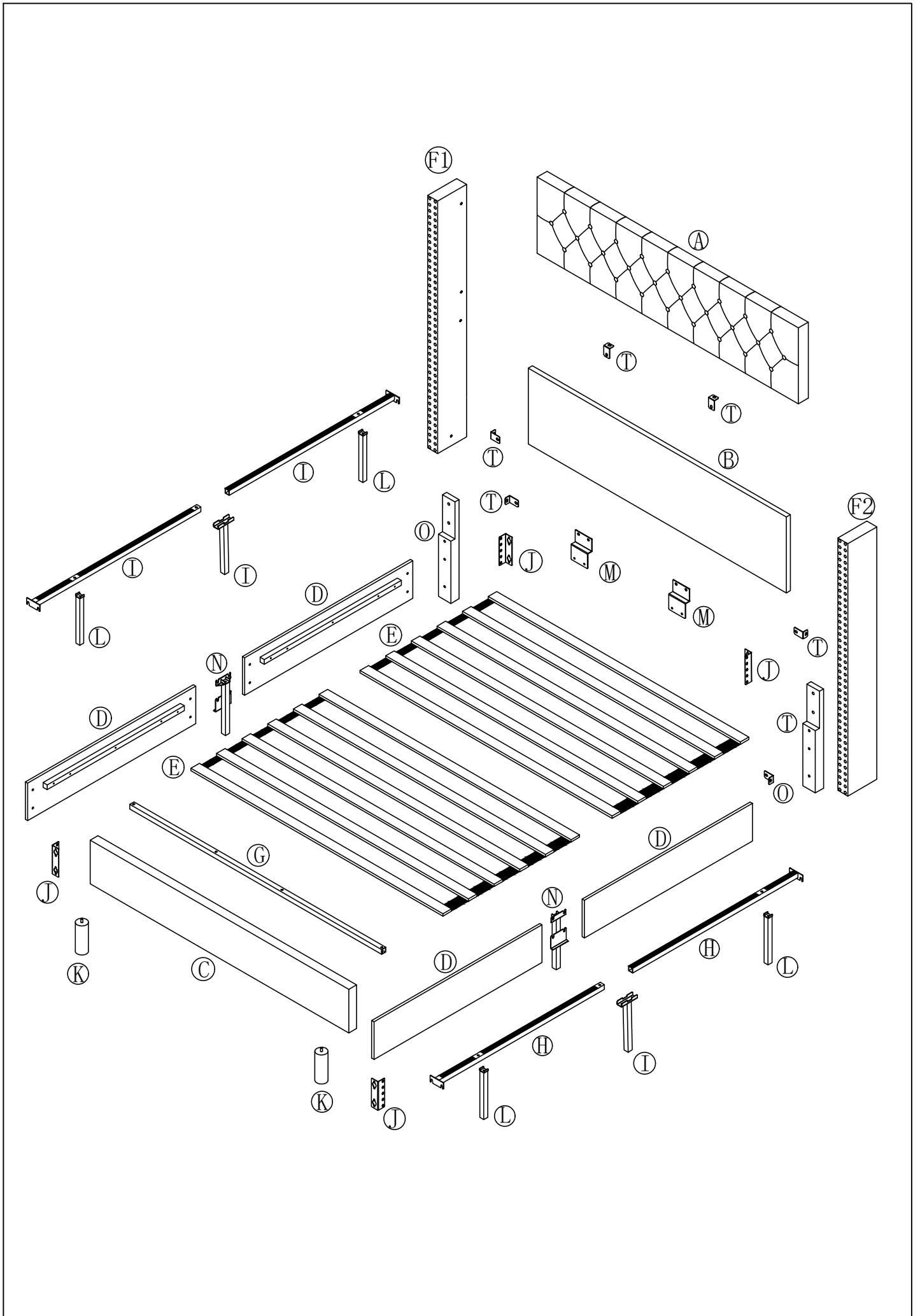


Note:

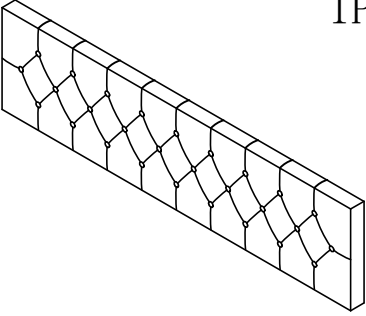
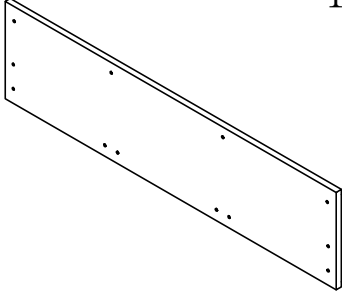
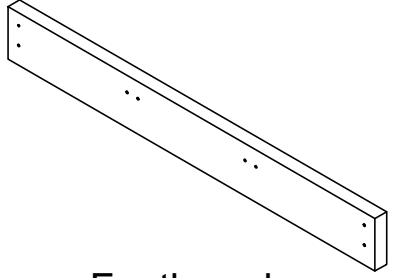
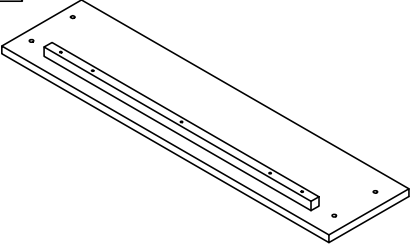
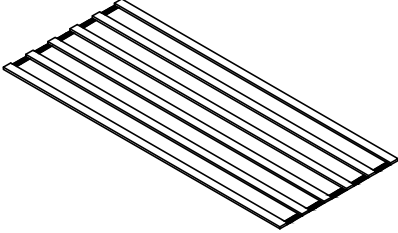
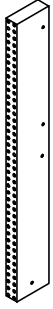
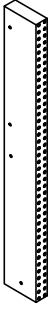
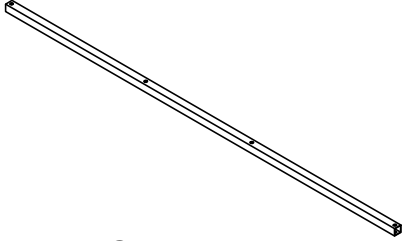
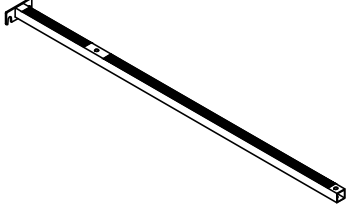
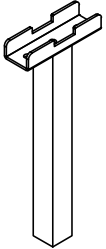
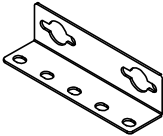


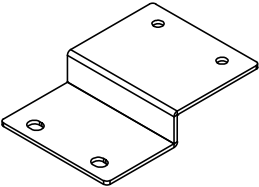
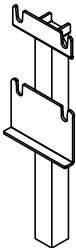
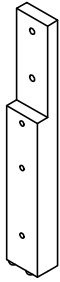
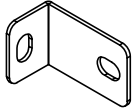
1. Should be assembled on flat ground to keep balance.
2. Before completing the installation, do not tighten the screws.



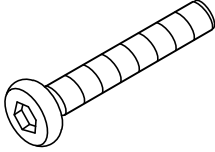
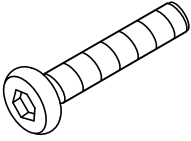
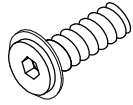
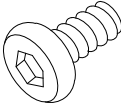
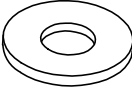

For easier and better assembly, 2 or more adults are required.



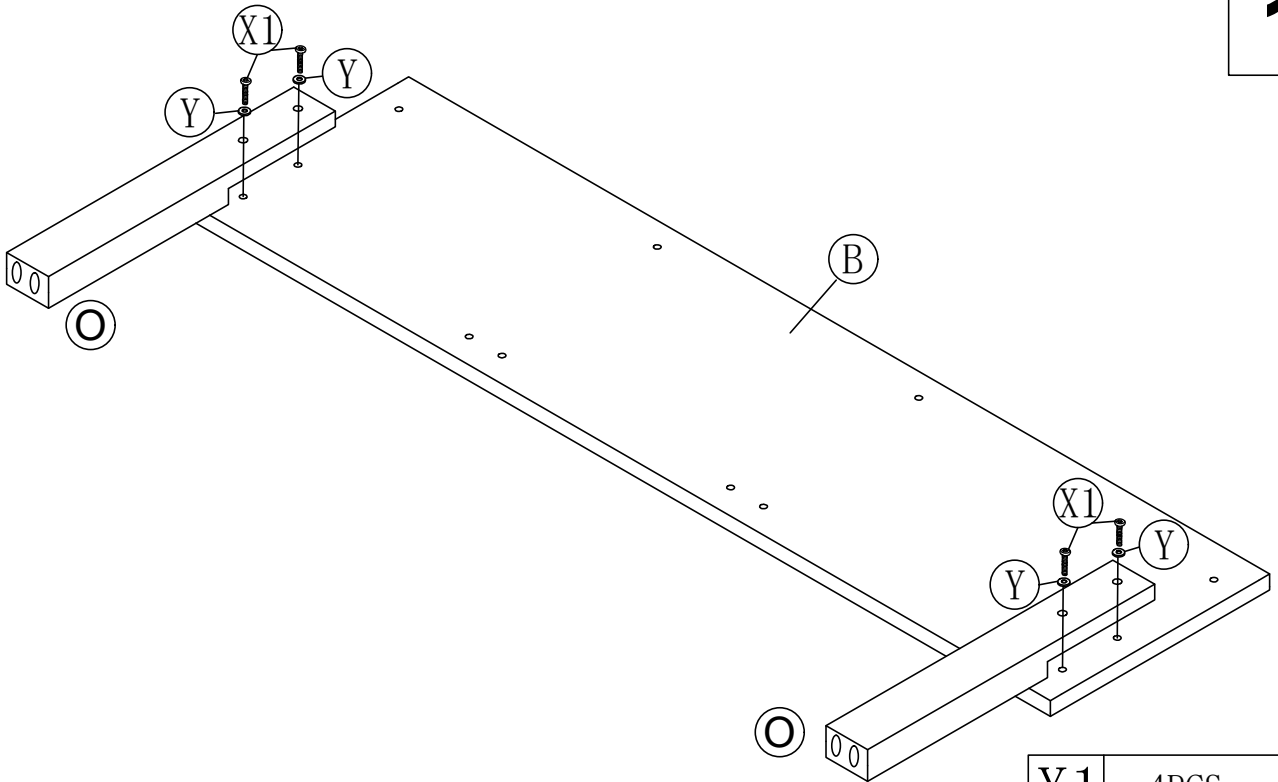
Part list

<p>A 1PC</p>  <p>Top headboard</p>	<p>B 1PC</p>  <p>Bottom headboard</p>	<p>C 1PC</p>  <p>Footboard</p>	
<p>D 4PCS</p>  <p>Side rail</p>	<p>E 2PCS</p>  <p>Slat</p>	<p>F₁ 1PC</p>  <p>Left wing</p>	
<p>F₂ 1PC</p>  <p>Right wing</p>	<p>G 1PC</p>  <p>Cross bar</p>	<p>H 4PCS</p>  <p>Middle support bar</p>	
<p>I 2PCS</p>  <p>Support leg</p>	<p>J 4PCS</p>  <p>Connector</p>	<p>K 2PCS</p>  <p>Leg</p>	<p>L 4PCS</p>  <p>Support leg</p>
<p>M 2PCS</p>  <p>Connector</p>	<p>N 2PCS</p>  <p>Bedside foot</p>	<p>O 2PCS</p>  <p>Headboard foot</p>	<p>T 6PCS</p>  <p>Connector</p>



Hardware list

X1	10PCS	X2	10PCS	X3	26PCS
					
M8*50		M8*40		M8*25	
X4	22PCS	Y	8PCS	Z	1PC
					
M8*18		$\phi 22 * \phi 8.5$		M8	

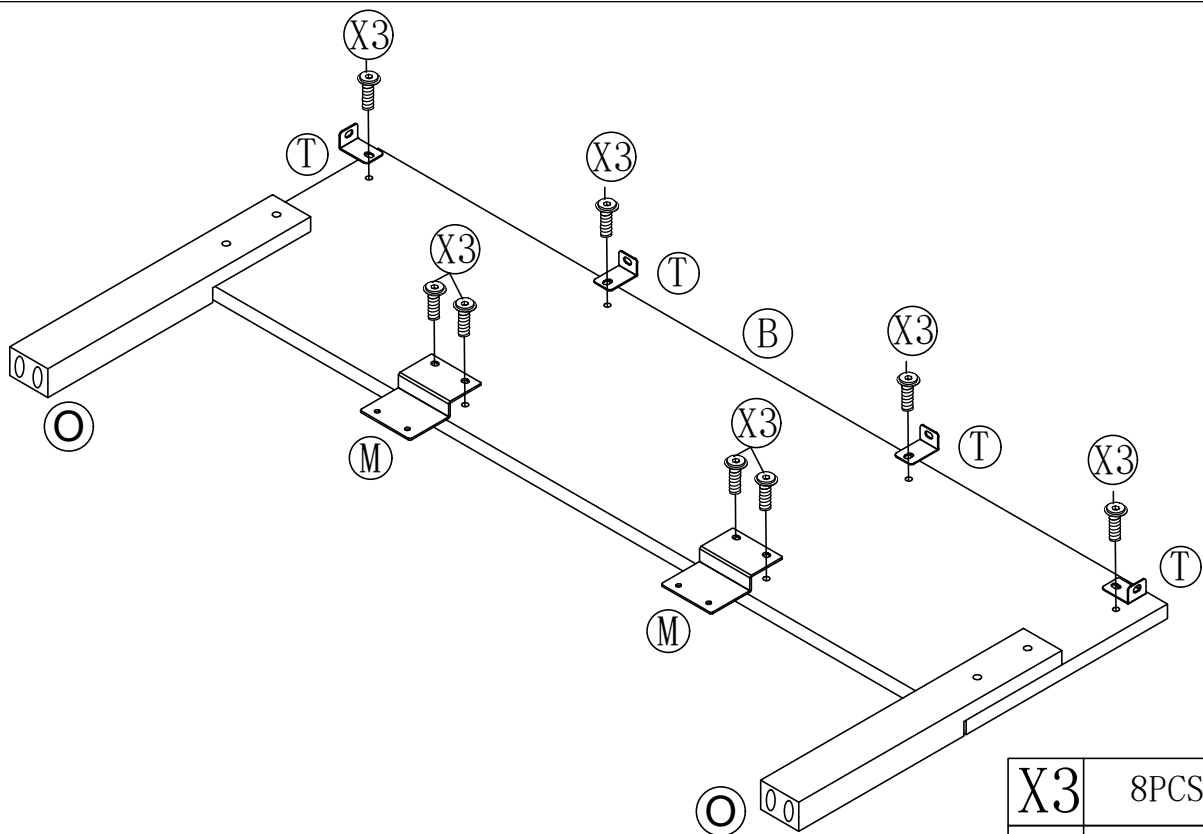
1





Back side

X1		4PCS
		M8*50mm
Y		4PCS

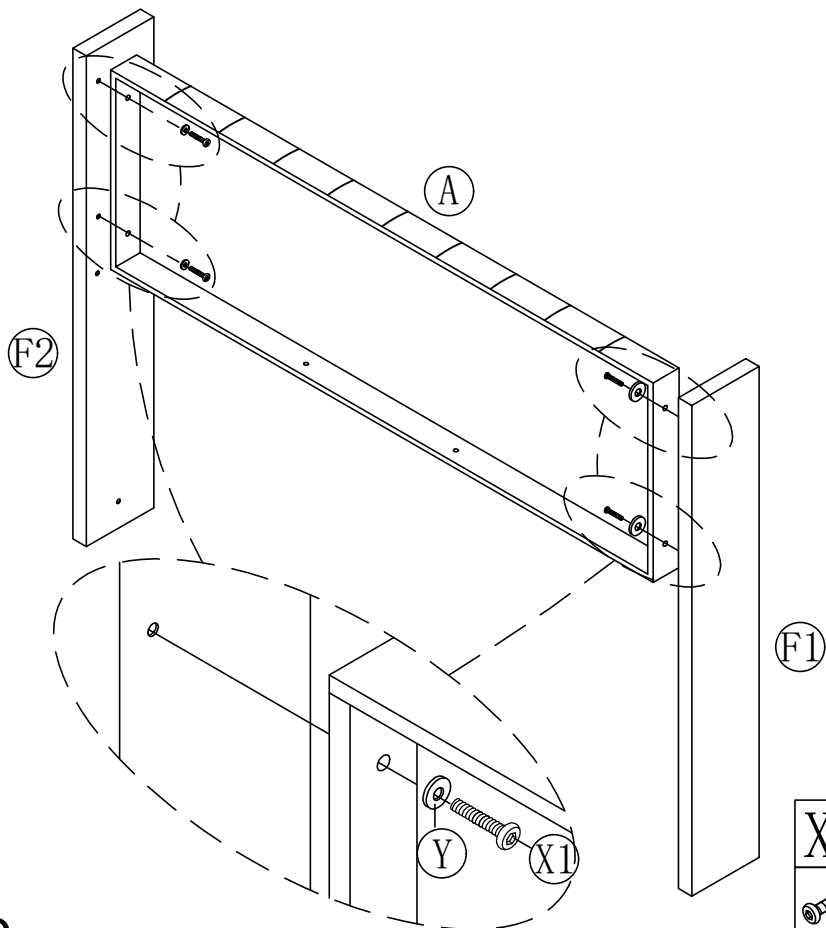
2





Back side

X3		8PCS
		M8*25mm
T		4PCS

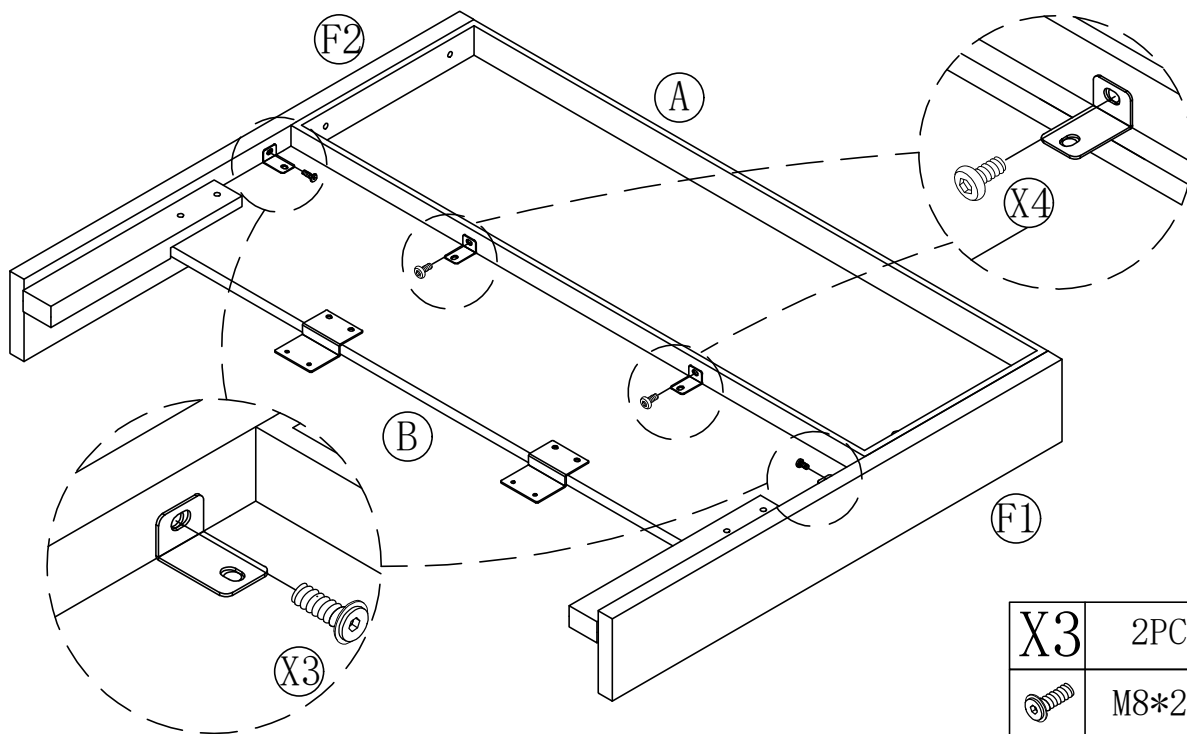
3





Back side

X1	4PCS	
	M8*50mm	
Y		4PCS

4

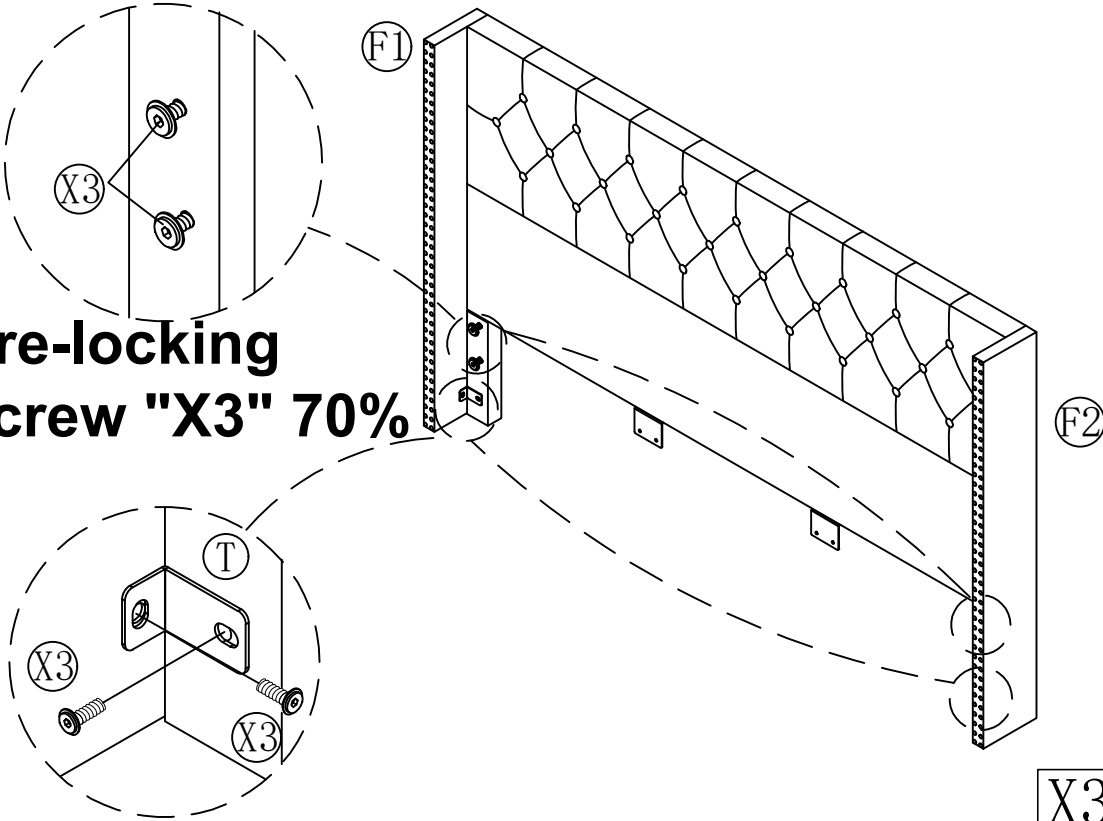




Back side

X3	2PCS	
	M8*25mm	
X4	2PCS	
	M8*18mm	

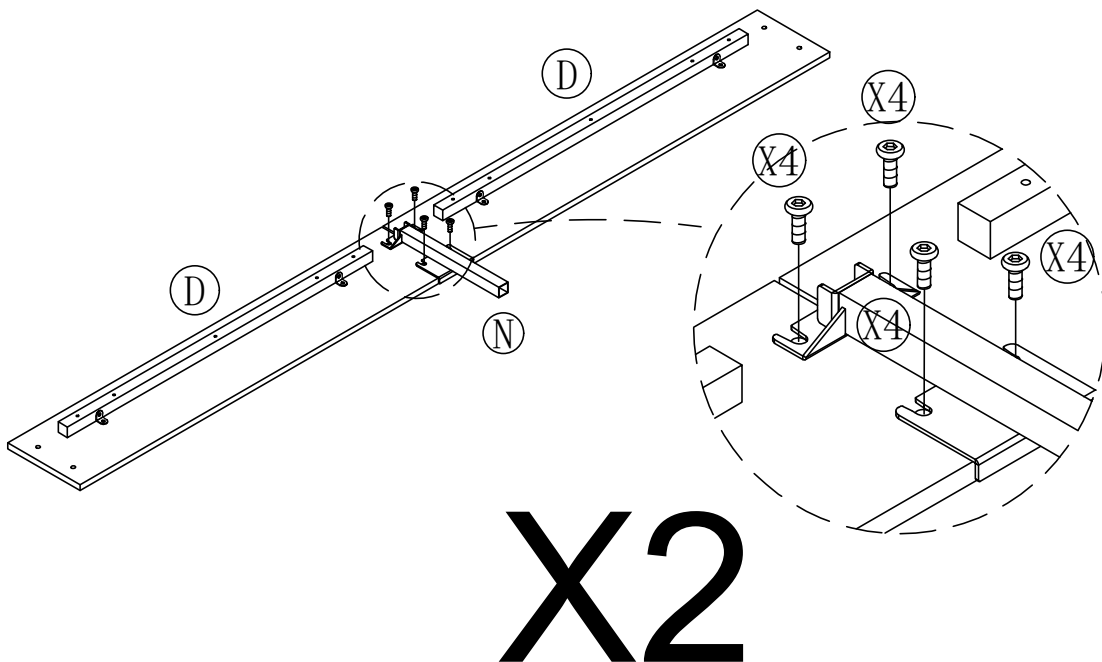
5

**Pre-locking
screw "X3" 70%**




X3	8PCS
	M8*25mm
T	 2PCS

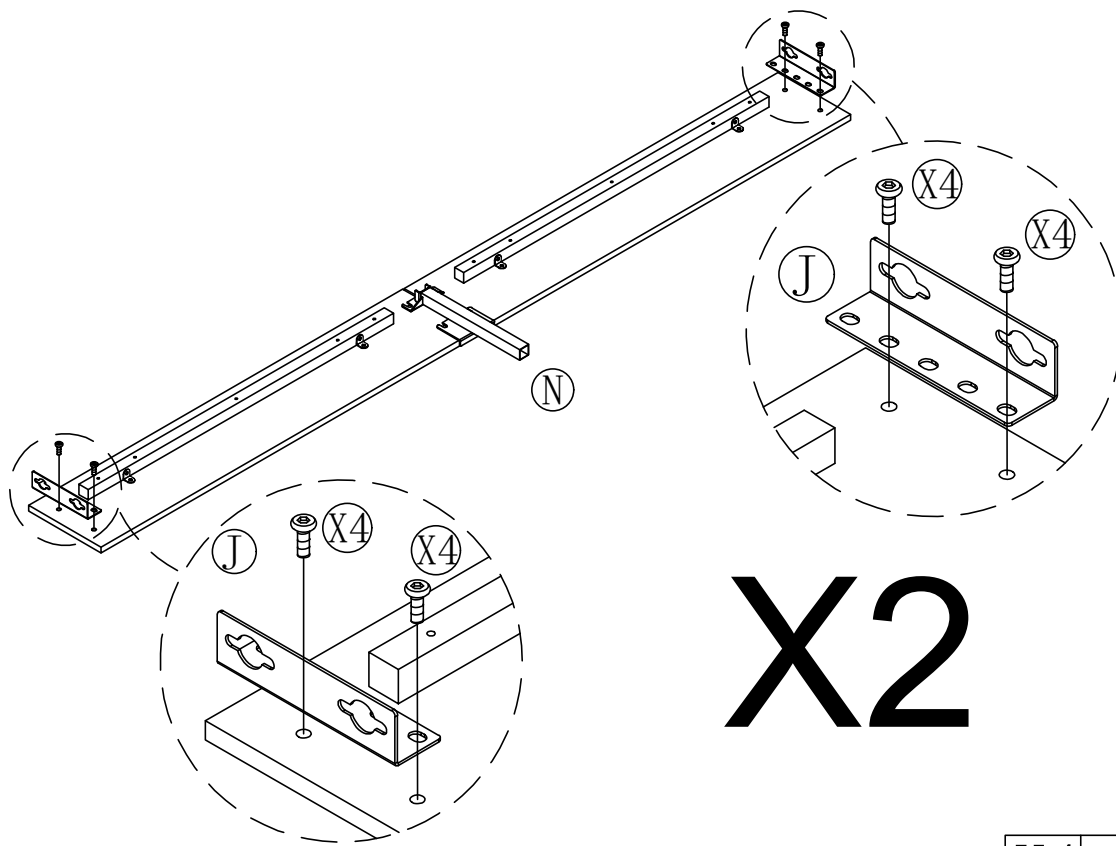
6




X2

X4	8PCS
	M8*18mm

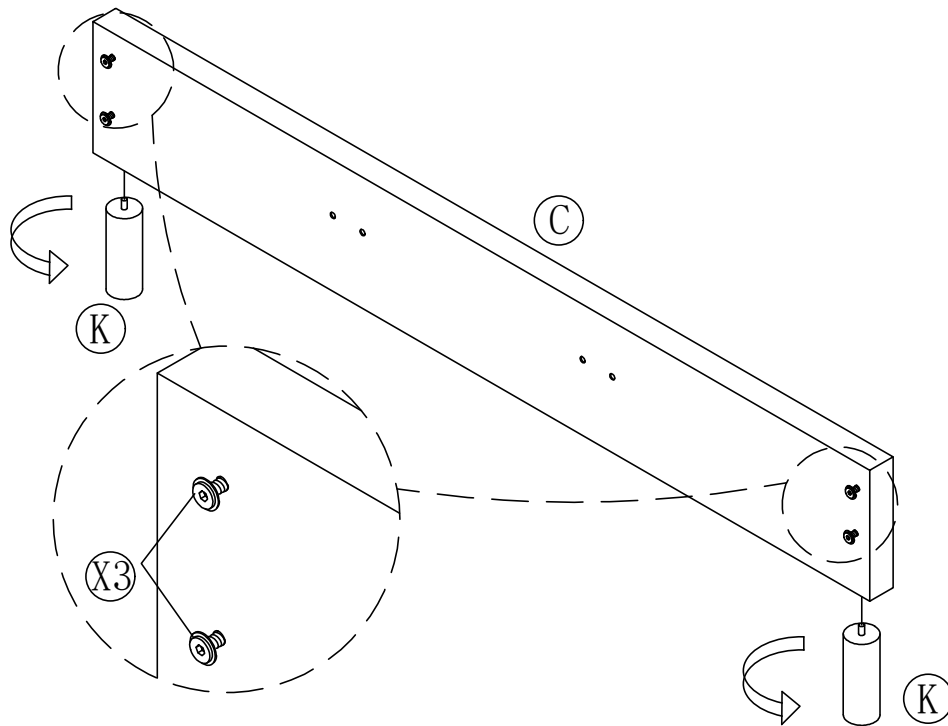
7




X2

X4	8PCS
	M8*18mm

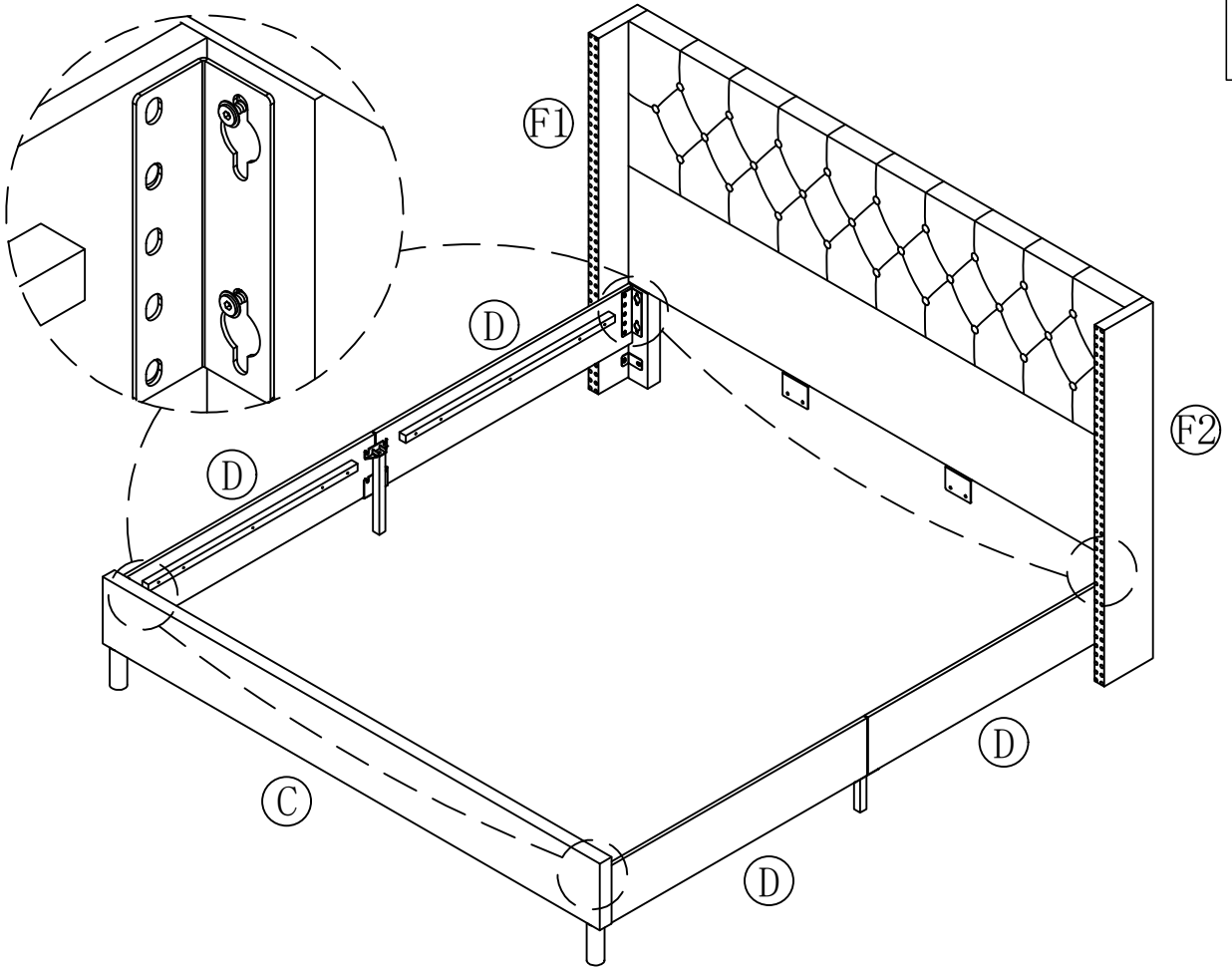
8



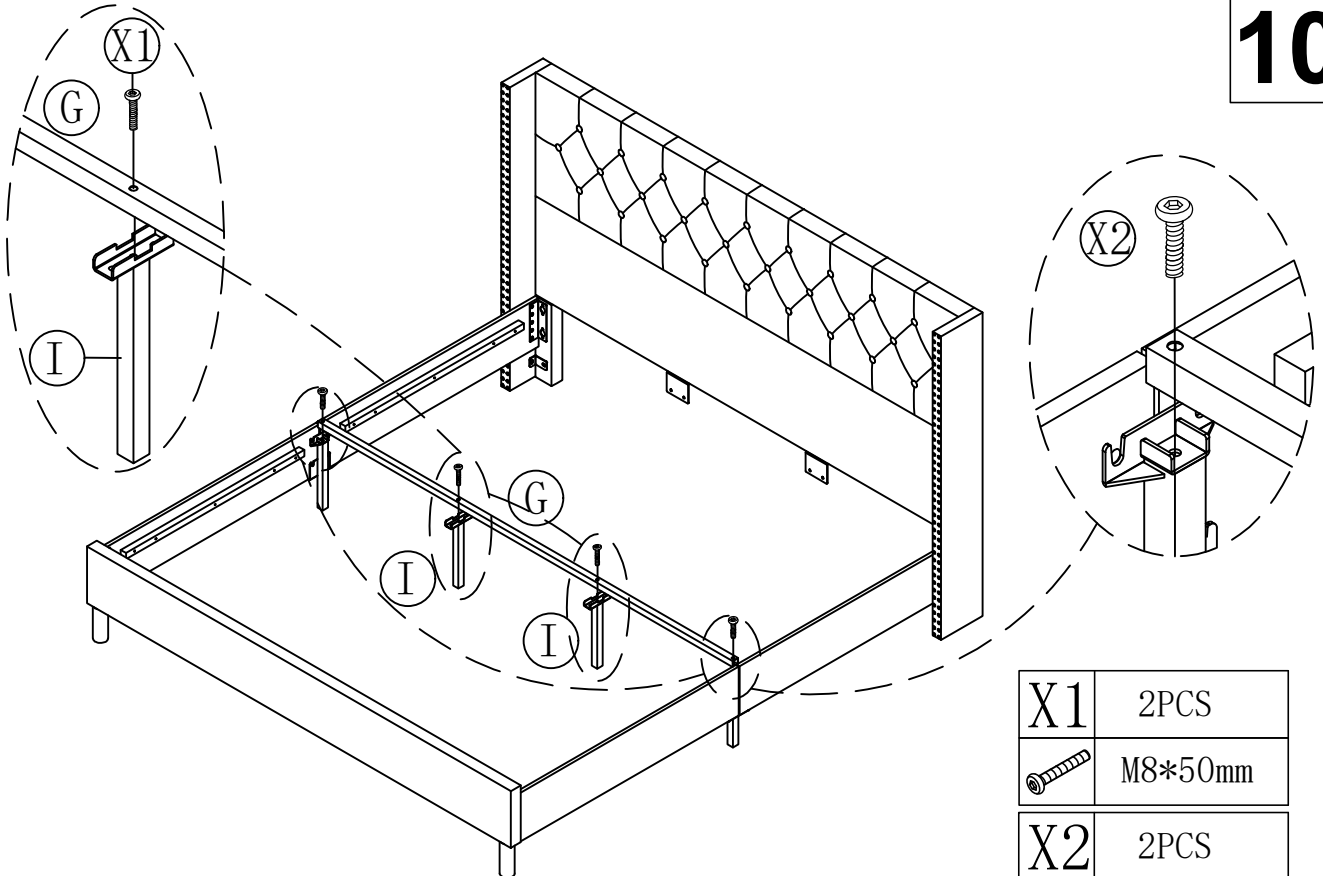
**Pre-locking
screw "X3" 70%**



X3	4PCS
	M8*25mm

9

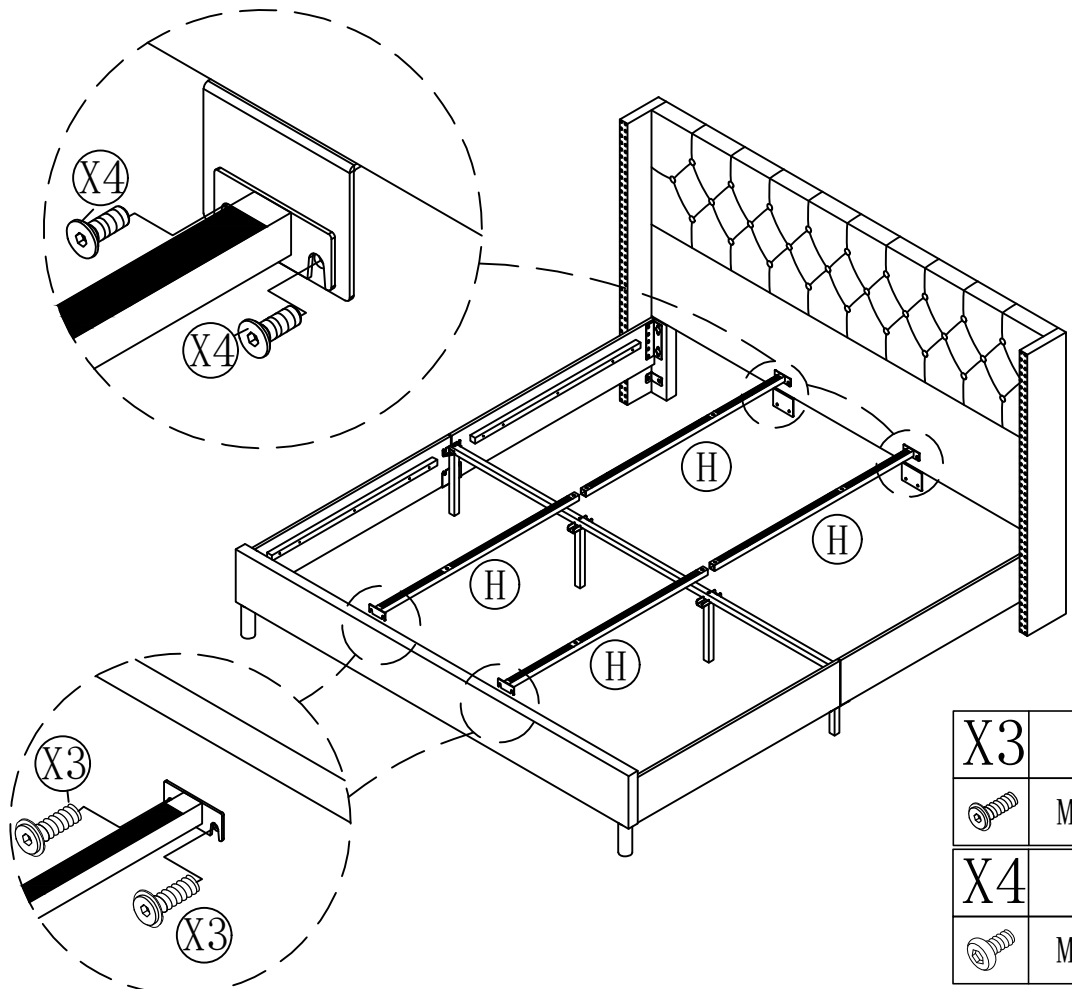




10



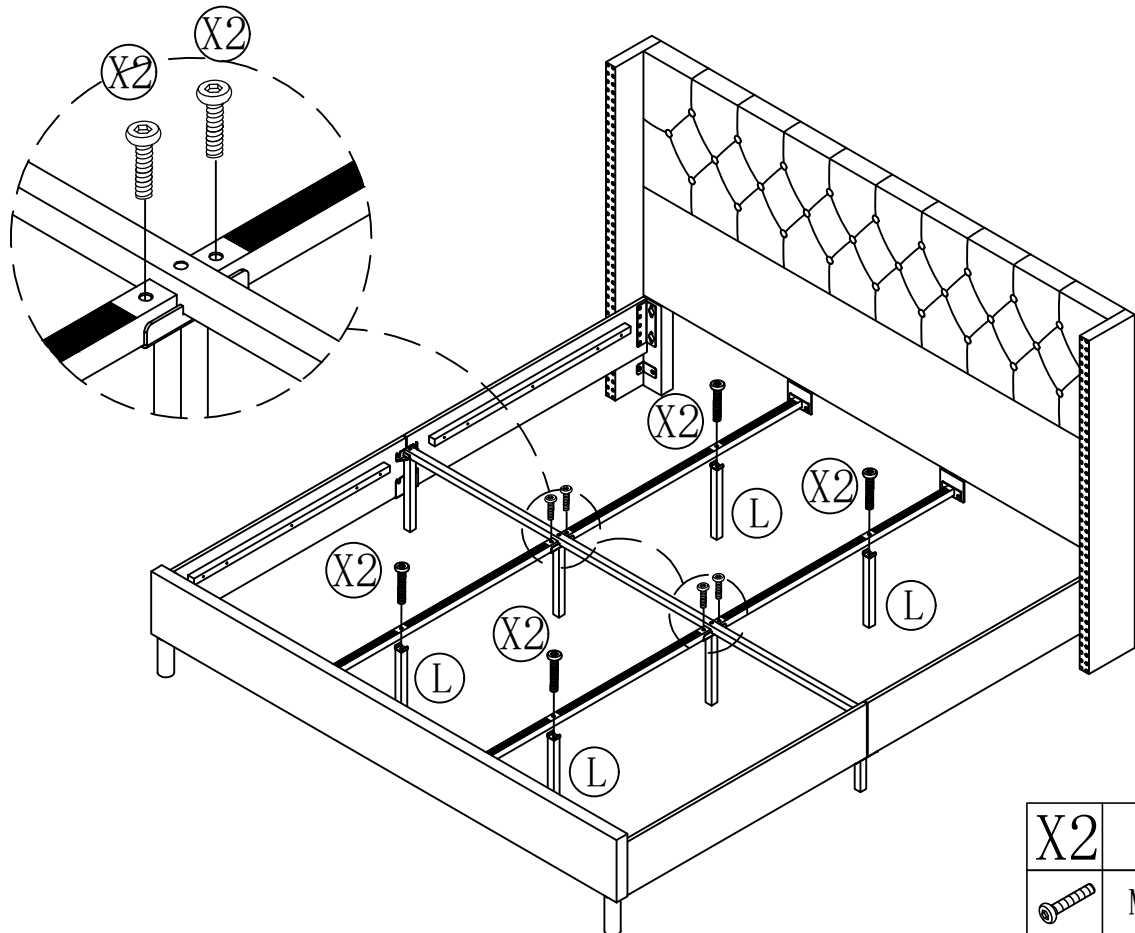
X1	2PCS
	M8*50mm
X2	2PCS
	M8*40mm


11



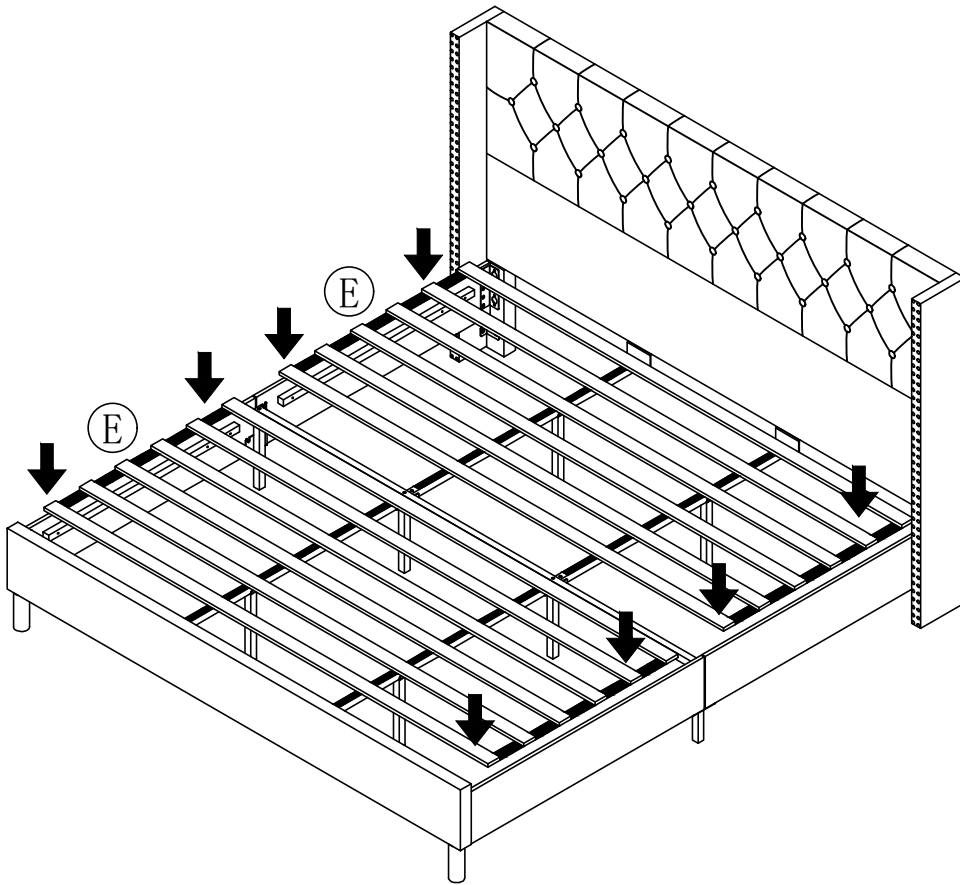
X3	4PCS
	M8*25mm
X4	4PCS
	M8*18mm

12



X2	8PCS
	M8*40mm

13



14

