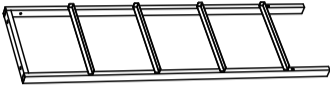
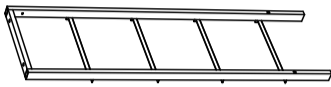
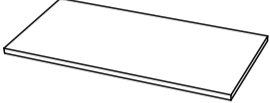

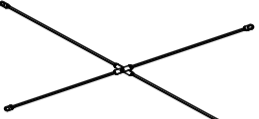

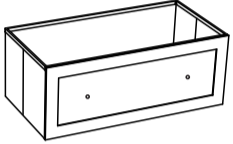






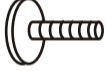



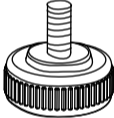
Assembly Manual

Attention: Do not tighten the screws until you have complete setup assembly.

Components List

 (A) Left side frame x 1	 (B) Right side frame x 1	 (C) Top panel x 1	 (D) Crossbar tube x 2	 (E) Cross brace x 1
 (F) Drawer pad x 4	 (G) Drawer x 4			

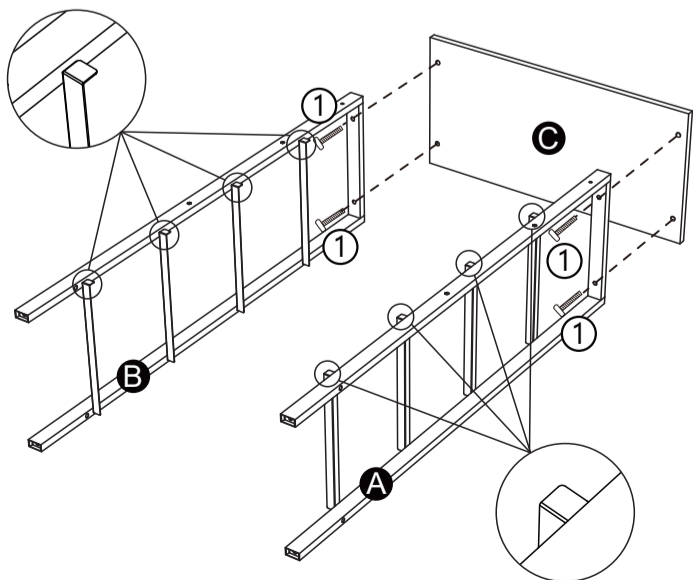
Hardware

 (1) M6*25mm x 4	 (2) M6*55mm x 4	 (3) M5*10mm x 4	 (4) Round Handle x 8	 (5) M4*12mm x 8
 (6) Anchor sleeve x 2	 (7) M4*60mm x 2	 (8) Wrench x 1	 (9) Adjusting pad x 4	

Assembly Steps

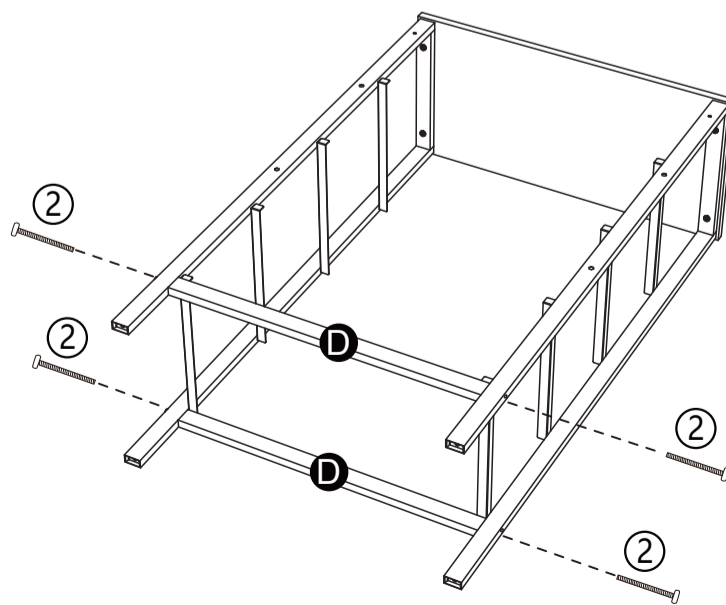
Step 1:

Attach the side frames(A+B) to the top panel(C) by using bolts(1) and tool(8). Pls notice the slip-rail direction.



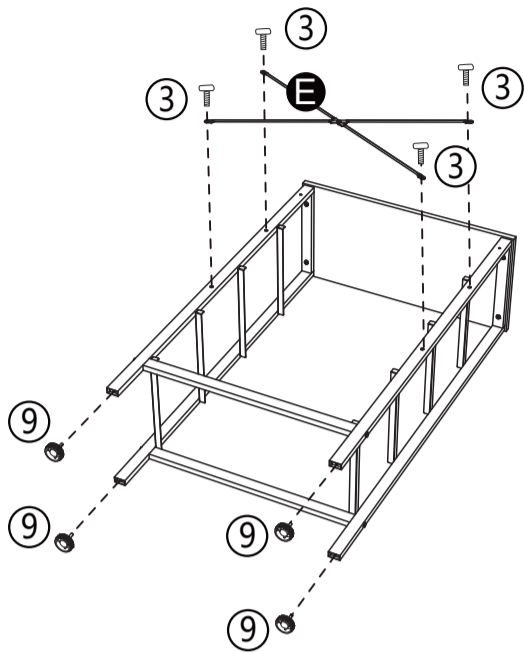
Step 2:

Attach the crossbar tubes(D) to the frames by using bolts(2) and tool(8).



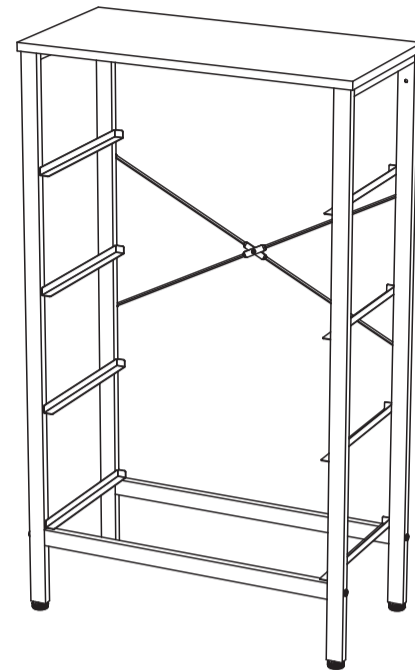
Step 3:

Attach the cross brace(E) to back of frames by using bolts(3) and tool(8).Then screw in the adjusting pads(9) at the end of frames.



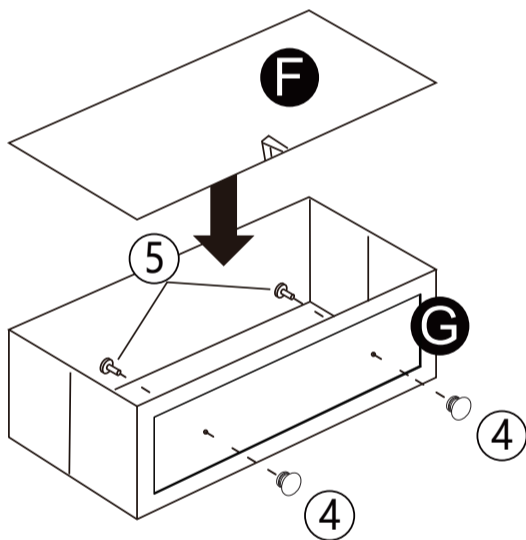
Step 4:

Complete the whole frame.



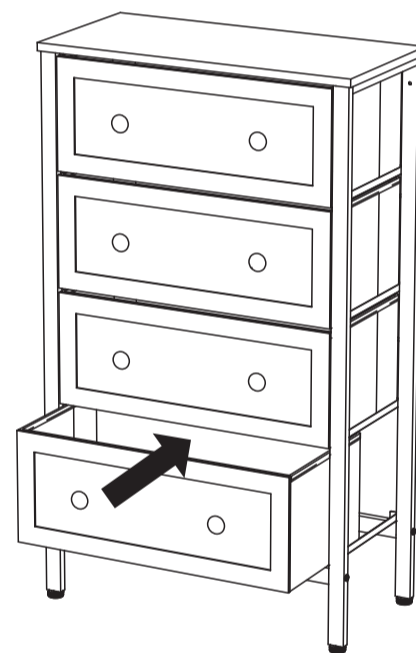
Step 5:

Put the drawer pads(F) into the drawers(G). Attach the handles(4) to the drawer front by using bolts(5) and tool(8).



Step 6:

Put the drawers into the frame.



Step 7:

Choose mounting location on the wall and drill pilot holes. Insert anchor sleeve(6) into holes. Insert screws(7) through the pre-drilled holes on the back of frames and into the anchor sleeve on the wall by using tool(8).

