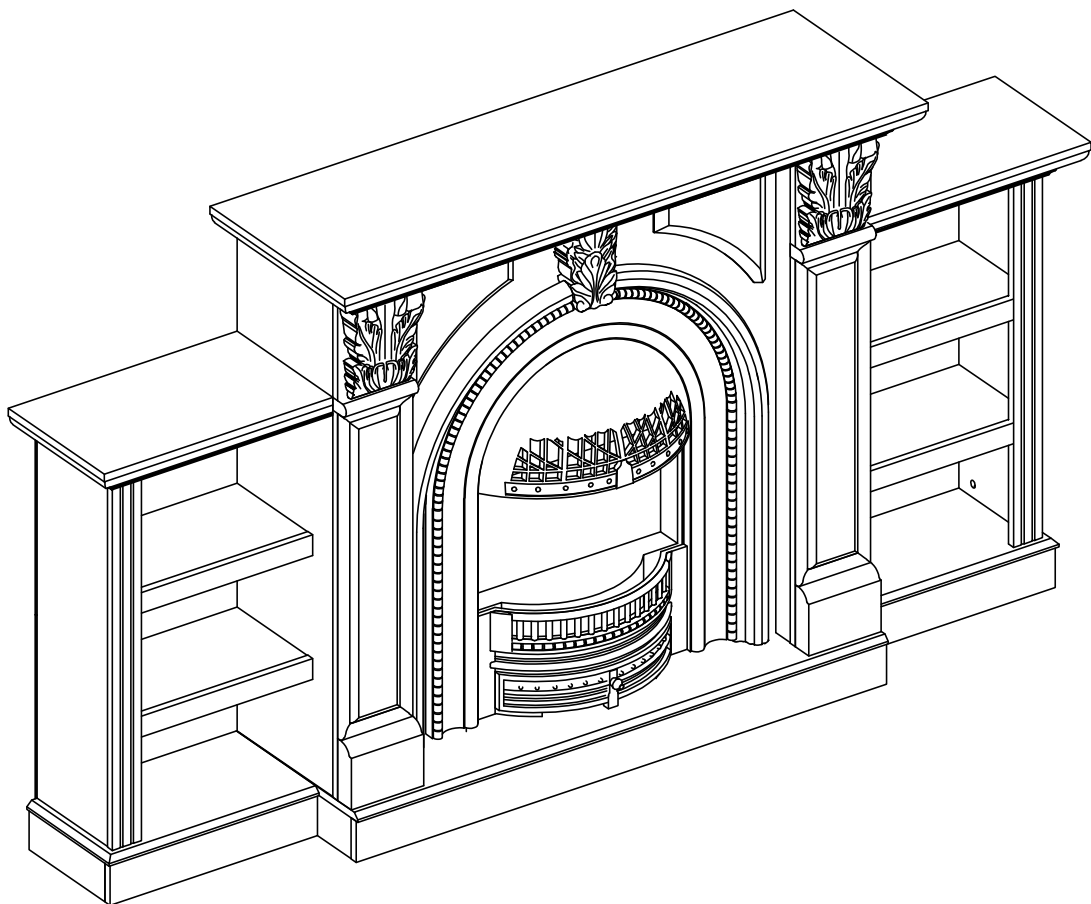


USER MANUAL (SKU:SKU220288)

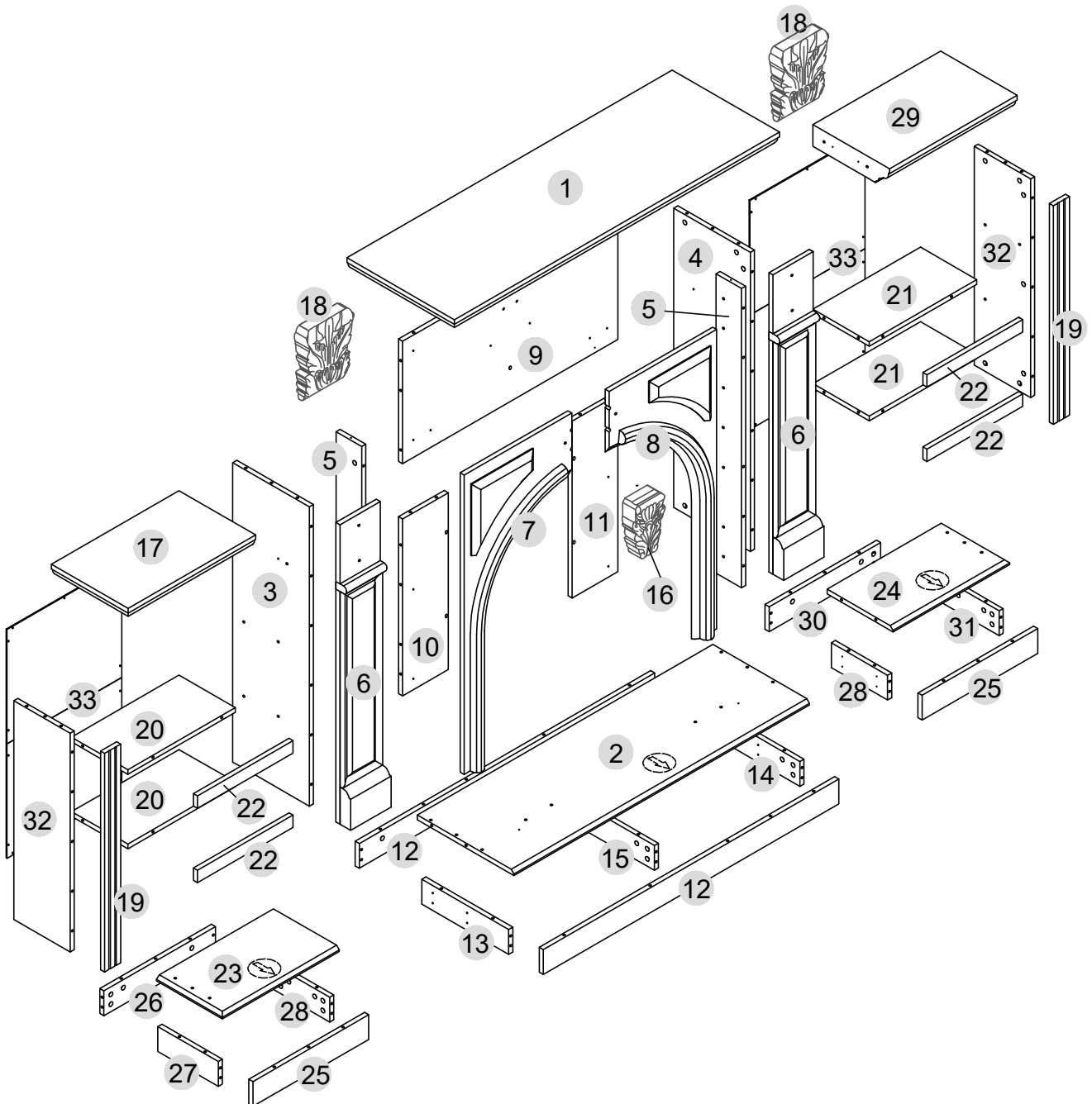
We have to open the fireplace box to collect **THREE PARTS** of the mantel before installation.

The hardware bags
3 of decorations (2x(18) and (16))
Left/right core plate 2 ((10) and (11))



PACKAGE INCLUDE

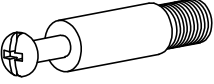

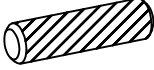
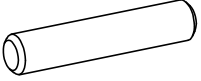

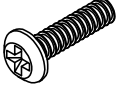
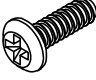

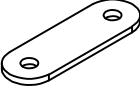

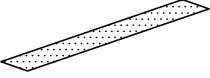



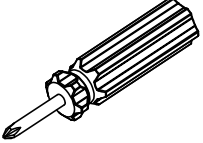

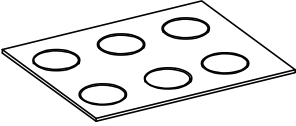

KEEP THE NUMBER STICKERS ON UNTIL FINISHED ASSEMBLING!



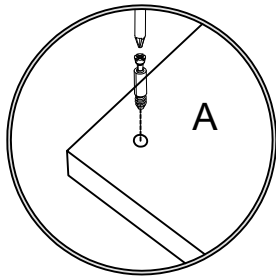
PART IDENTIFICATION

CODE	DESCRIPTION	QTY
1	Top panel	1
2	Bottom panel	1
3	Mid-left side panel	1
4	Mid-right side panel	1
5	Inside side panels	2
6	Middle side posts	2
7	Left core plate 1	1
8	Right core plate 1	1
9	Upper coreboard	2
10	Left core plate 2	1
11	Right core plate 2	1
12	Mid-front footboard	2
13	Mid-left side footboard	1
14	Mid-right side footboard	1
15	Mid footboard	1
16	Mid carving	1
17	Left side top panel	1
18	Side carving	2
19	Side posts	2
20	Left shelf	2
21	Right shelf	2
22	Shelf baffle	4
23	Left side bottom panel	1
24	Right side bottom panel	1
25	Side front footboard	2
26	Left side back footboard	1
27	Left side footboard	1
28	Inside footboard	2
29	Right side top panel	1
30	Right side back footboard	1
31	Right side footboard	1
32	Side panel	2
33	Back panel	2

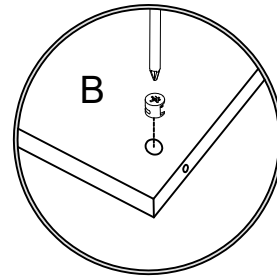
PACKAGE CONTENT

 A 134x+2	<p>Ø15x12MM</p>  B 134x+2	<p>Ø8x30MM</p>  C 46x+2	<p>Ø8x40MM</p>  D 4x+1
<p>Ø3.5x25MM</p>  E 14x+1	<p>M6x30MM</p>  F 5x+1	<p>M6x25MM</p>  G 6x+1	<p>Ø5x38MM</p>  H 6x+1
 2x  4x <p>Ø3x12MM</p> I	   J 2x	<p>Ø3.5x14MM</p>  K 30x+1	 L 1x
<p>Ø3.5x30MM</p>  M 8x+1	 N 8x+1	<p>M6x40MM</p>  O 2x+1	

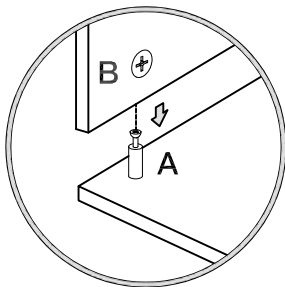
How to use the cam lock system



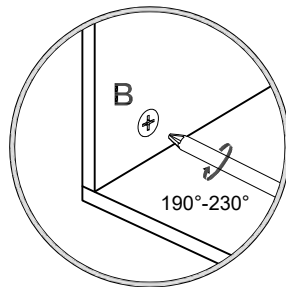
1. Screw cam bolt into panel



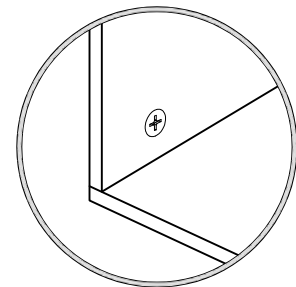
2. Push cam into panel - arrow feature on cam top points to panel edge



3. Align cam bolt(s) with cam(s) and insert all the way into cross-board hole(s)

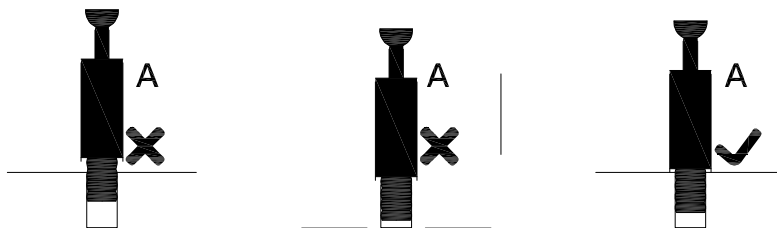
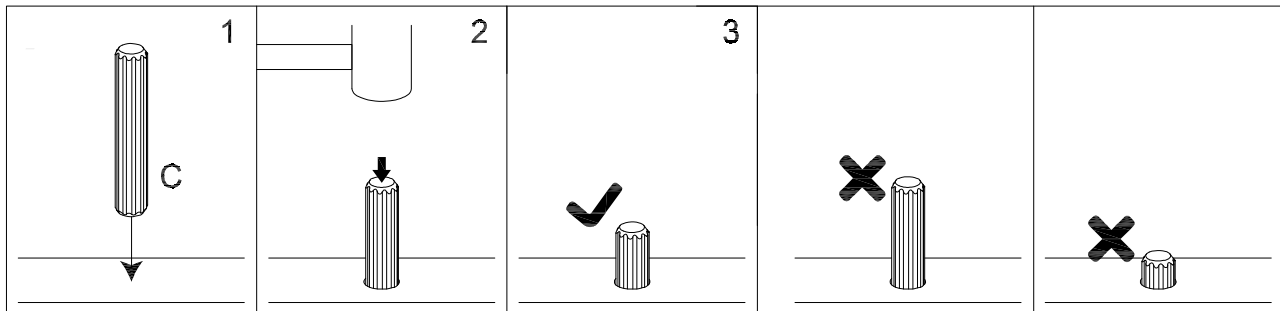


4. Rotate cam(s) clockwise 190°-230° to lock panels together



5. Panels should be tighten against each other and connection should be rigid

Insert the wood dowel [C] at least half way by tapping lightly with a rubber mallet, IF NECESSARY.

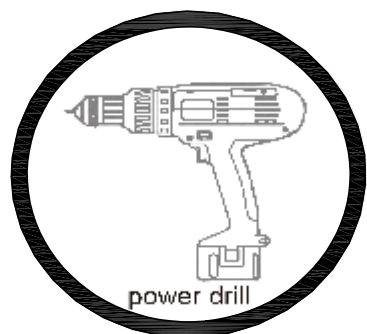


⚠ WARNING

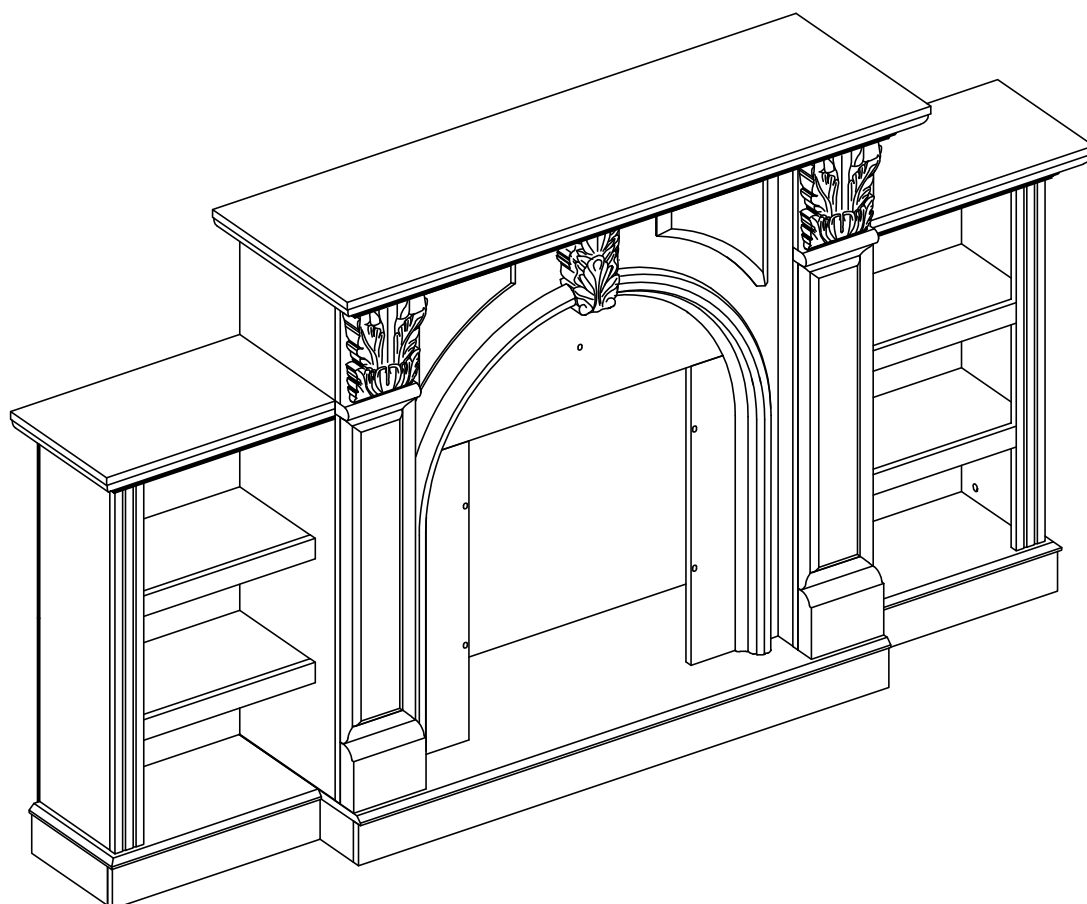
- Unit must be placed on a level surface or leveled with included hardware (when applicable).
- Do not sit or stand on or allow children to climb, sit or stand on the assembled product.
- For safety reasons, it is imperative that this unit be mounted to the wall.
- Do not use without installing the tip restraint.
- Unit can tip over causing severe injury or death.
- Do not exceed the recommended weight limits.
- Evenly distribute the weight on each level and always keep the heavier loads on the bottom.
- Before cutting, drilling or hammering into any wall or floor surface, verify the location of electrical, plumbing and gas lines. Cutting may cause serious injury.

Ready to assemble the dresser

Before installation, observe each structure of the drawer dresser. The drawer dresser consists of two main parts. You will assemble the chest first, and then install the two small drawers and four larger drawers. Finally, look at the finished look, and contrast list of part, imagine how to install it faster, hope this will help you.

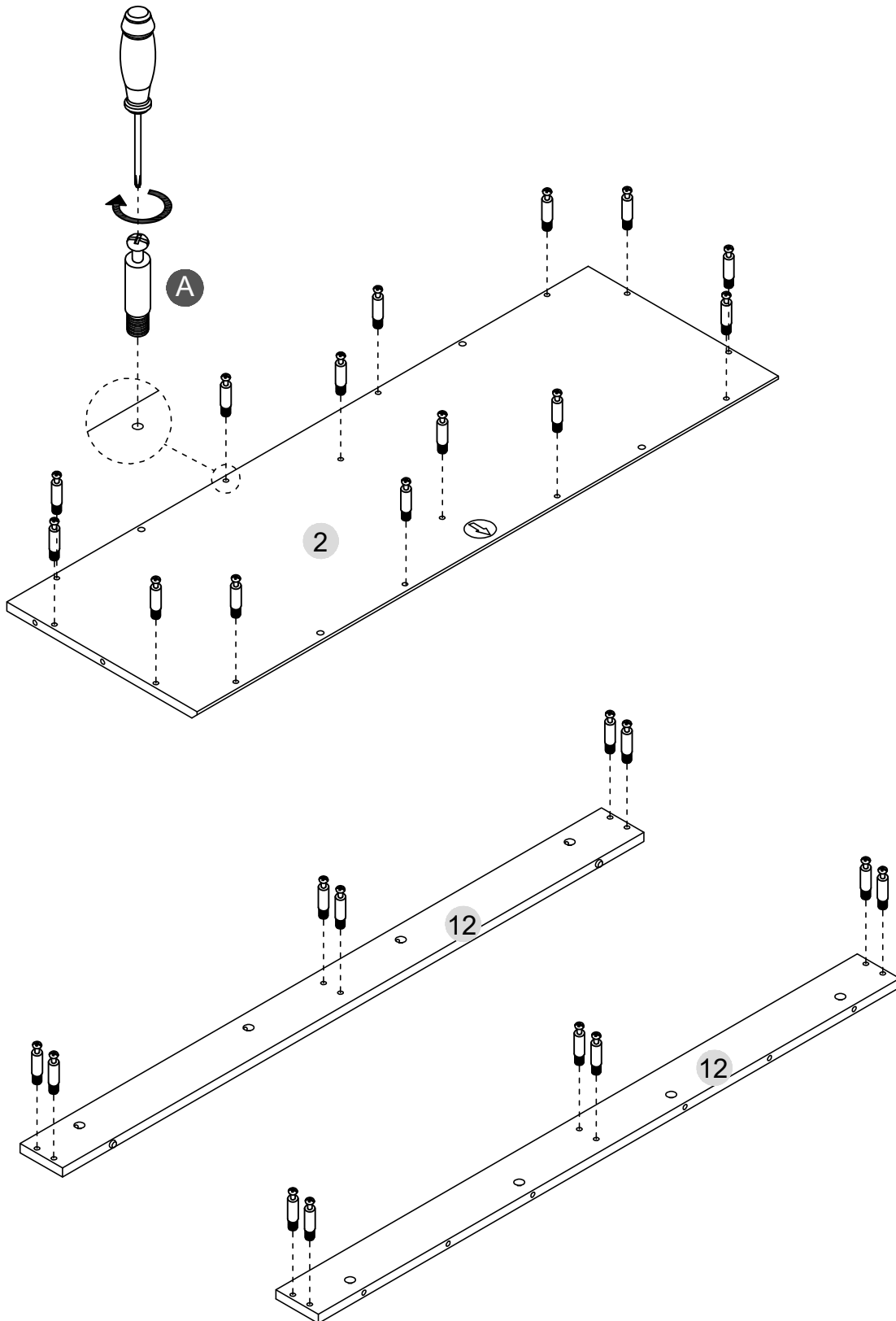
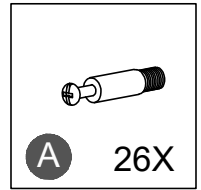


We recommend using a power drill to assemble.



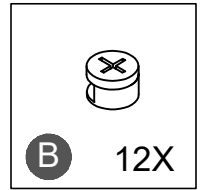
STEP 1

- Screw (A) to (2)&(12)&(12) as below shown

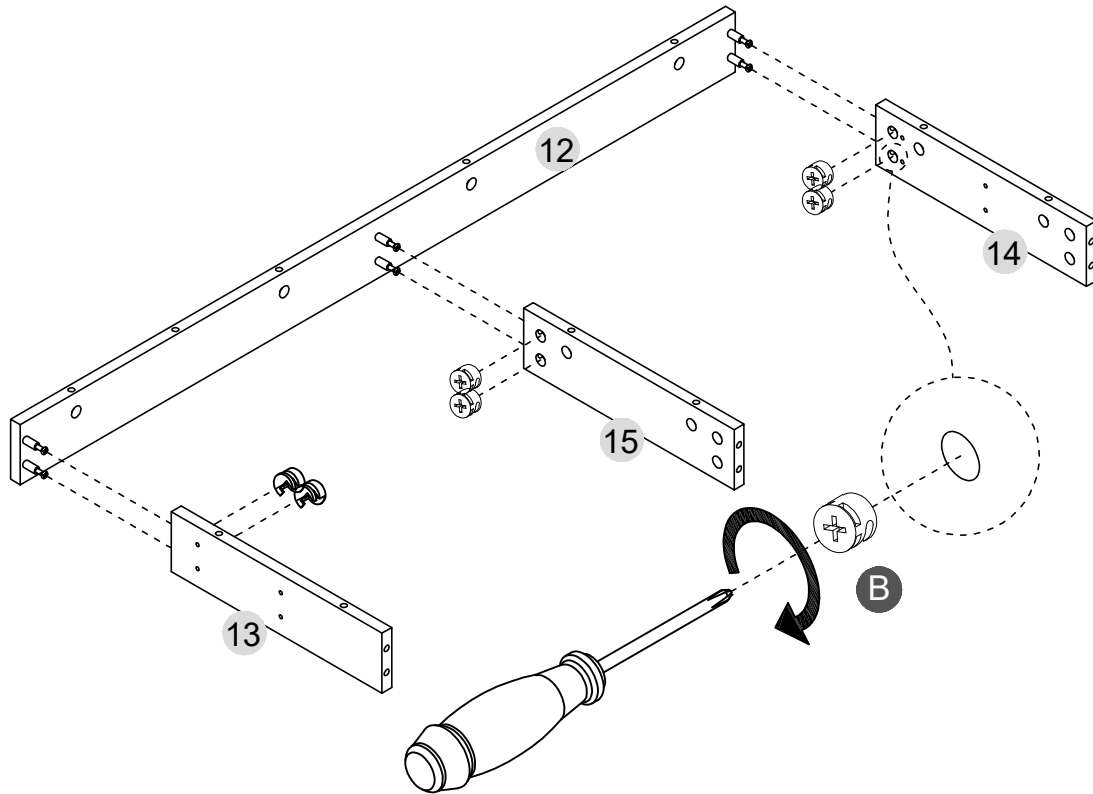


STEP 2

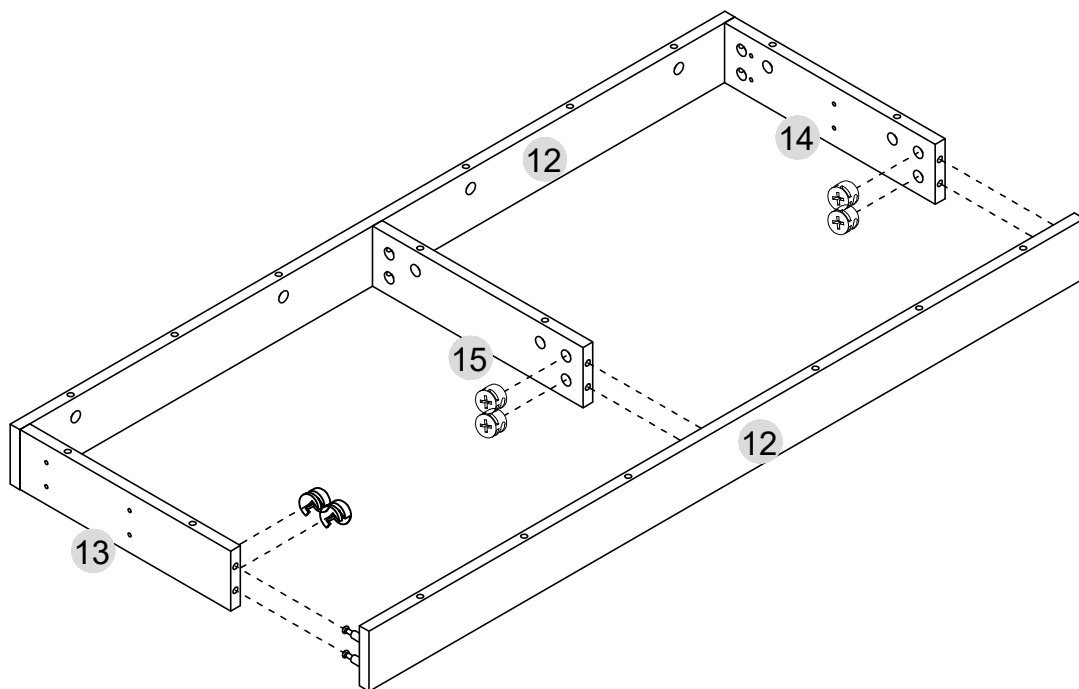
- Attach (13)&(14)(15) to (12) as below shown
- Screw (B) to lock the (13)&(14)(15) as below shown
- Attach (12) to (13)&(14)(15) as below shown
- Screw (B) to lock the (13)&(14)(15) as below shown



Step1

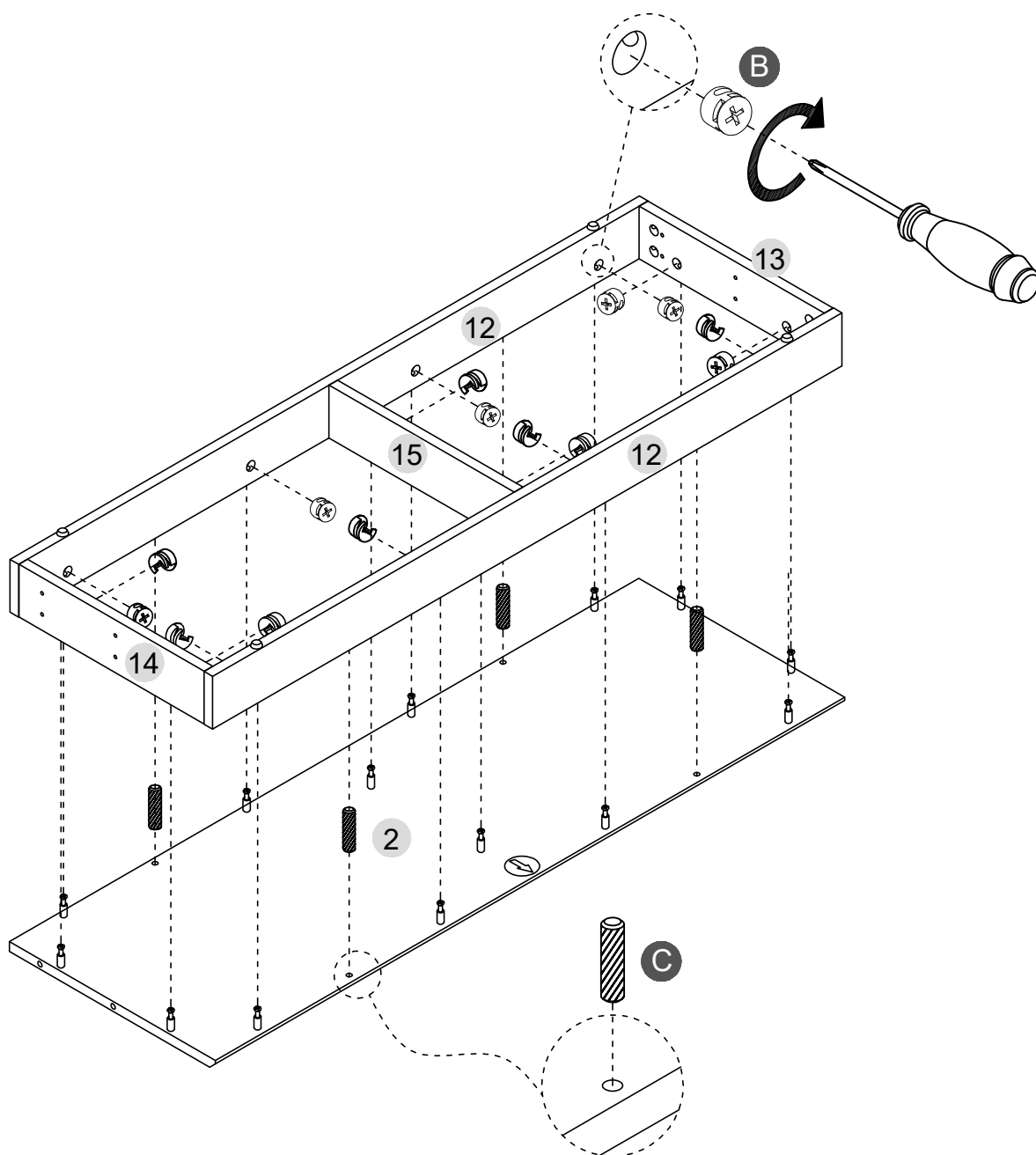
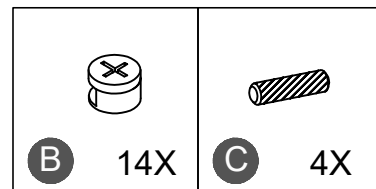


Step2



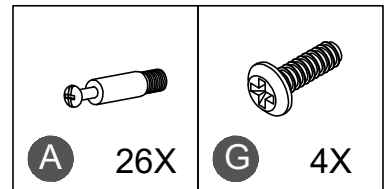
STEP 3

- Attach (C) to (2)
- Attach (12)&(13)(14)(15) to (2) as below shown
- Screw (B) to lock the (12)&(13)(14)(15) as below shown

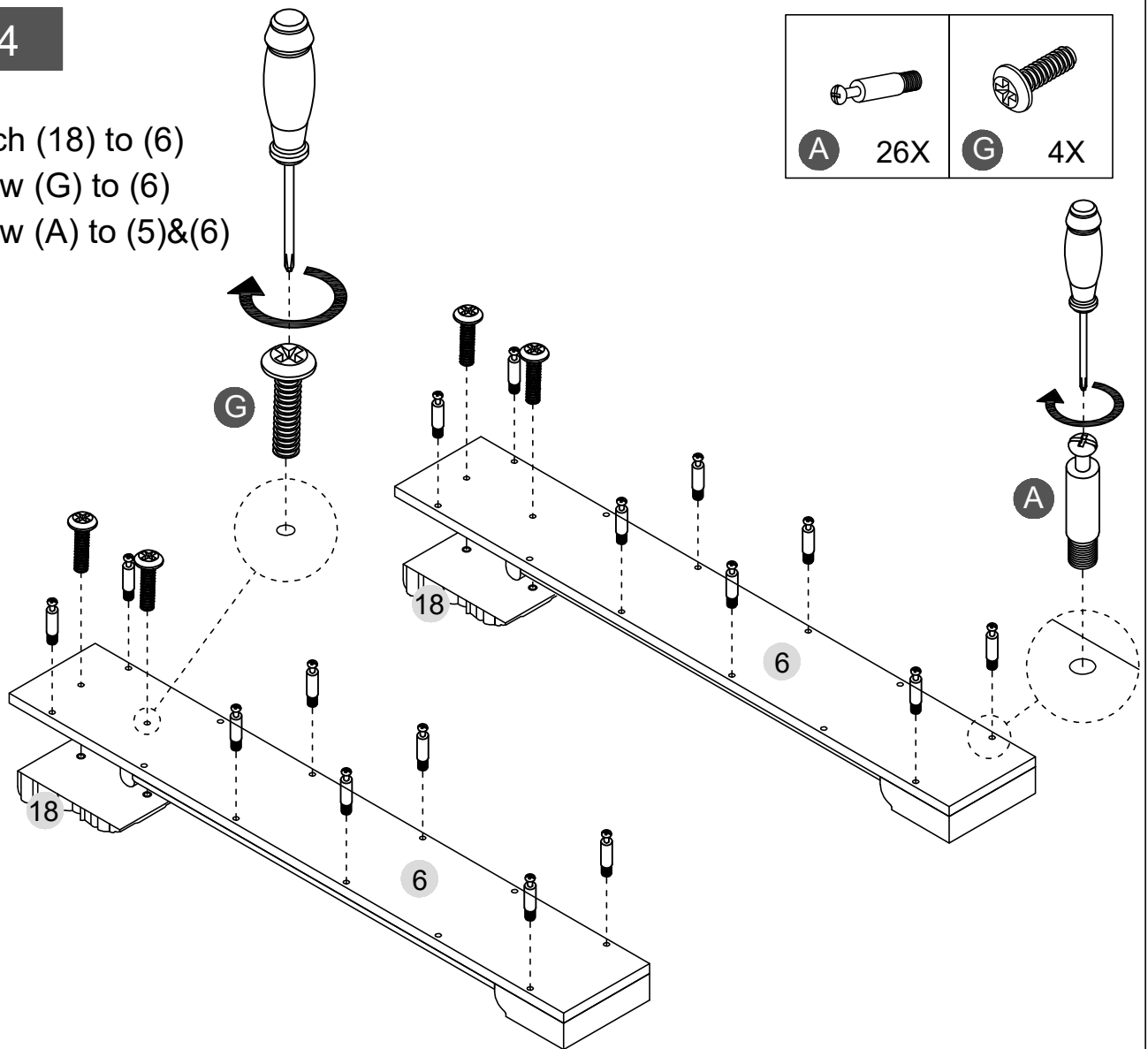


STEP 4

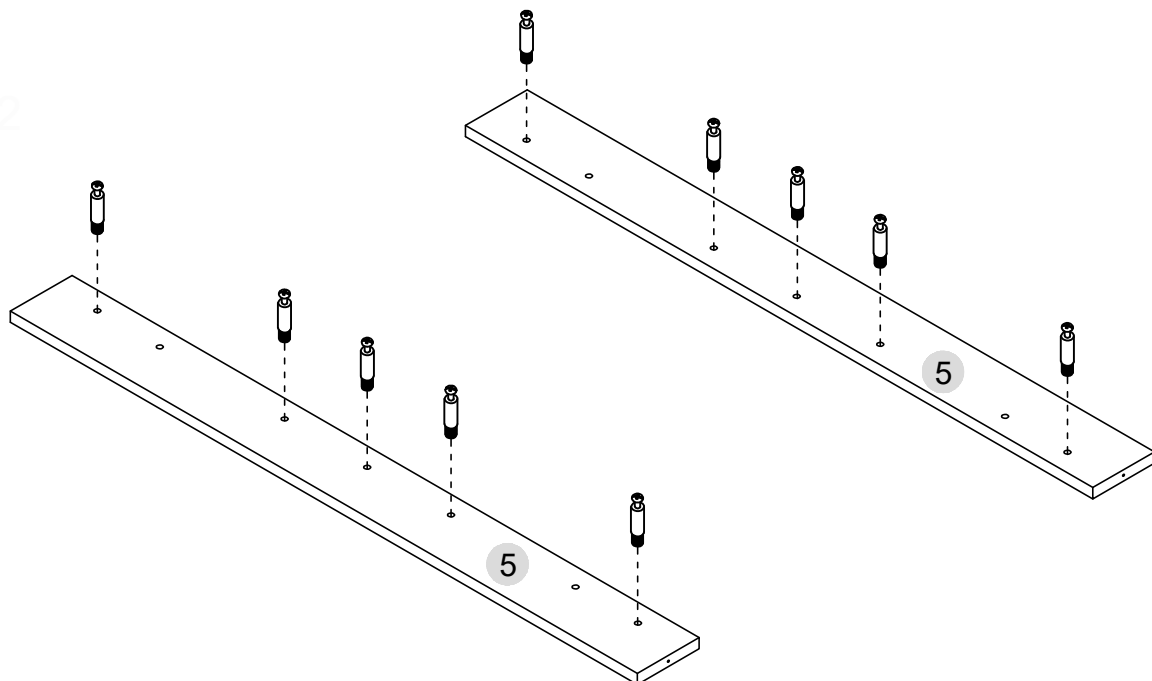
- Attach (18) to (6)
- Screw (G) to (6)
- Screw (A) to (5)&(6)



Step1

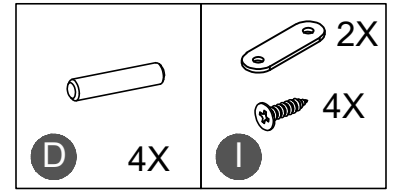


Step2

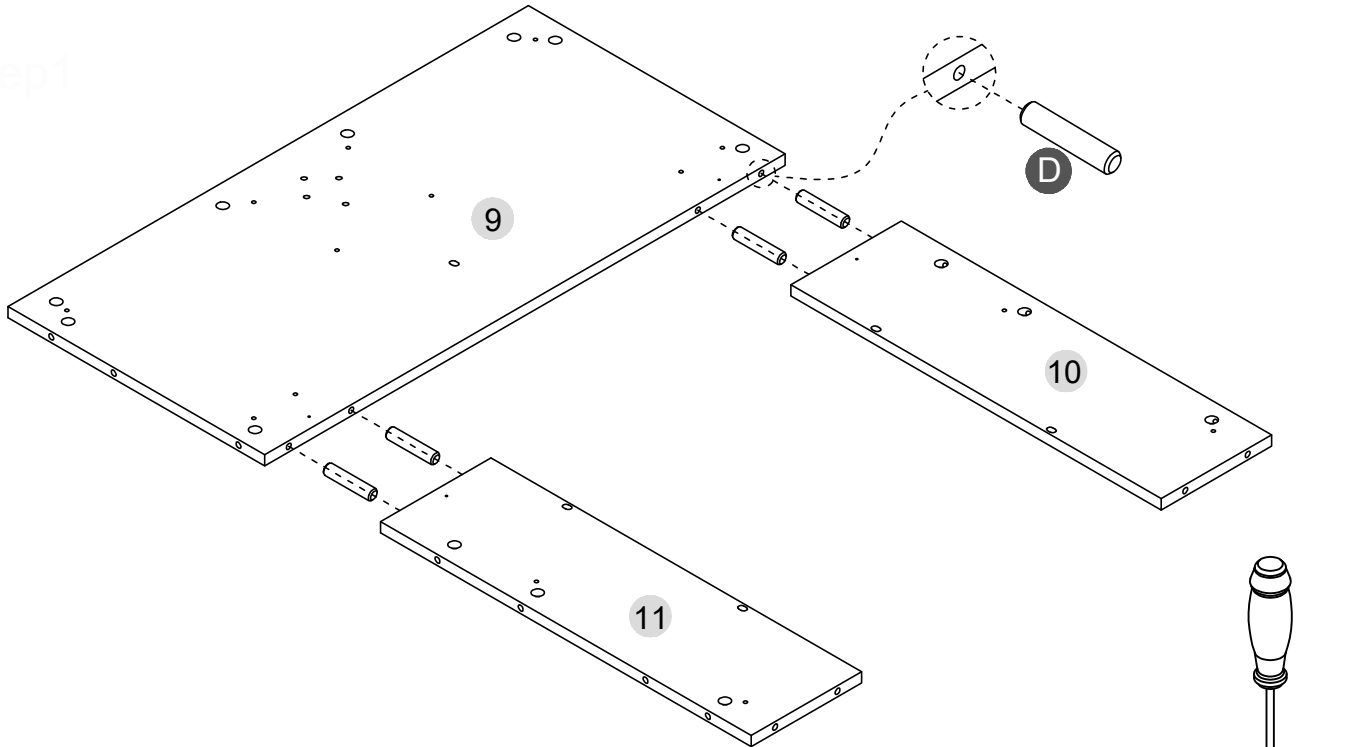


STEP 5

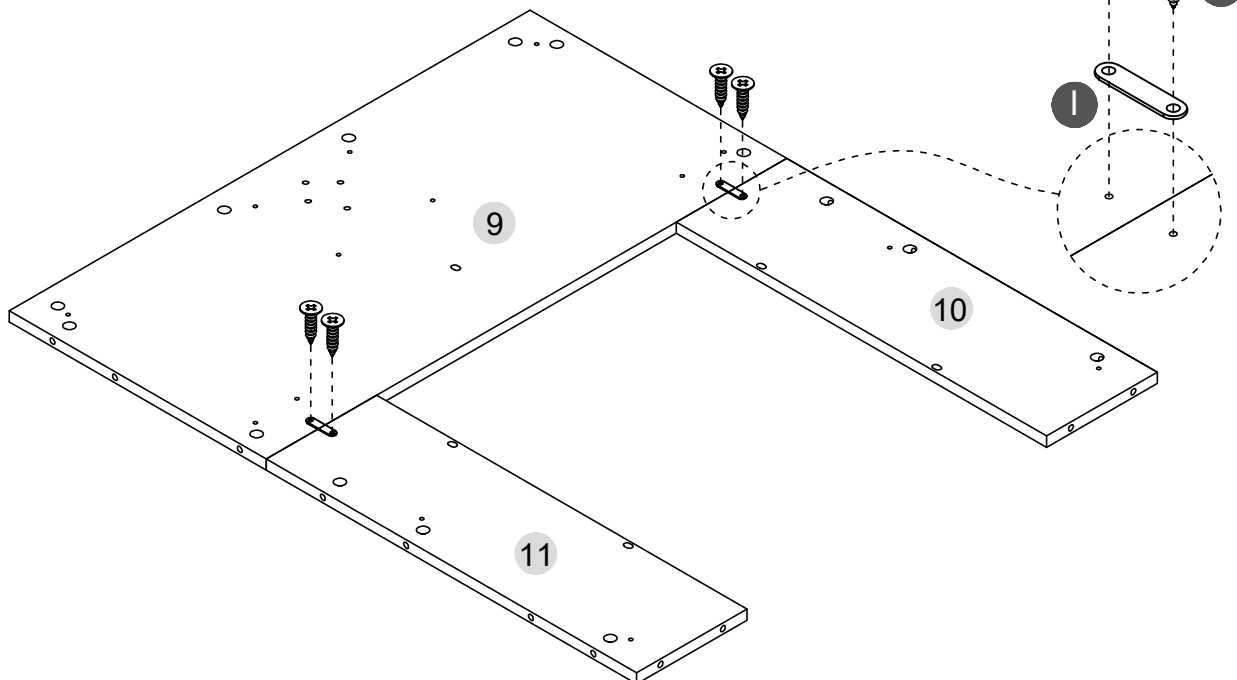
- Attach (D) to (9)
- Attach (10)&(11) to (9) as below shown
- Screw (I) to lock the (9)&(10)(11) as below shown



Step1

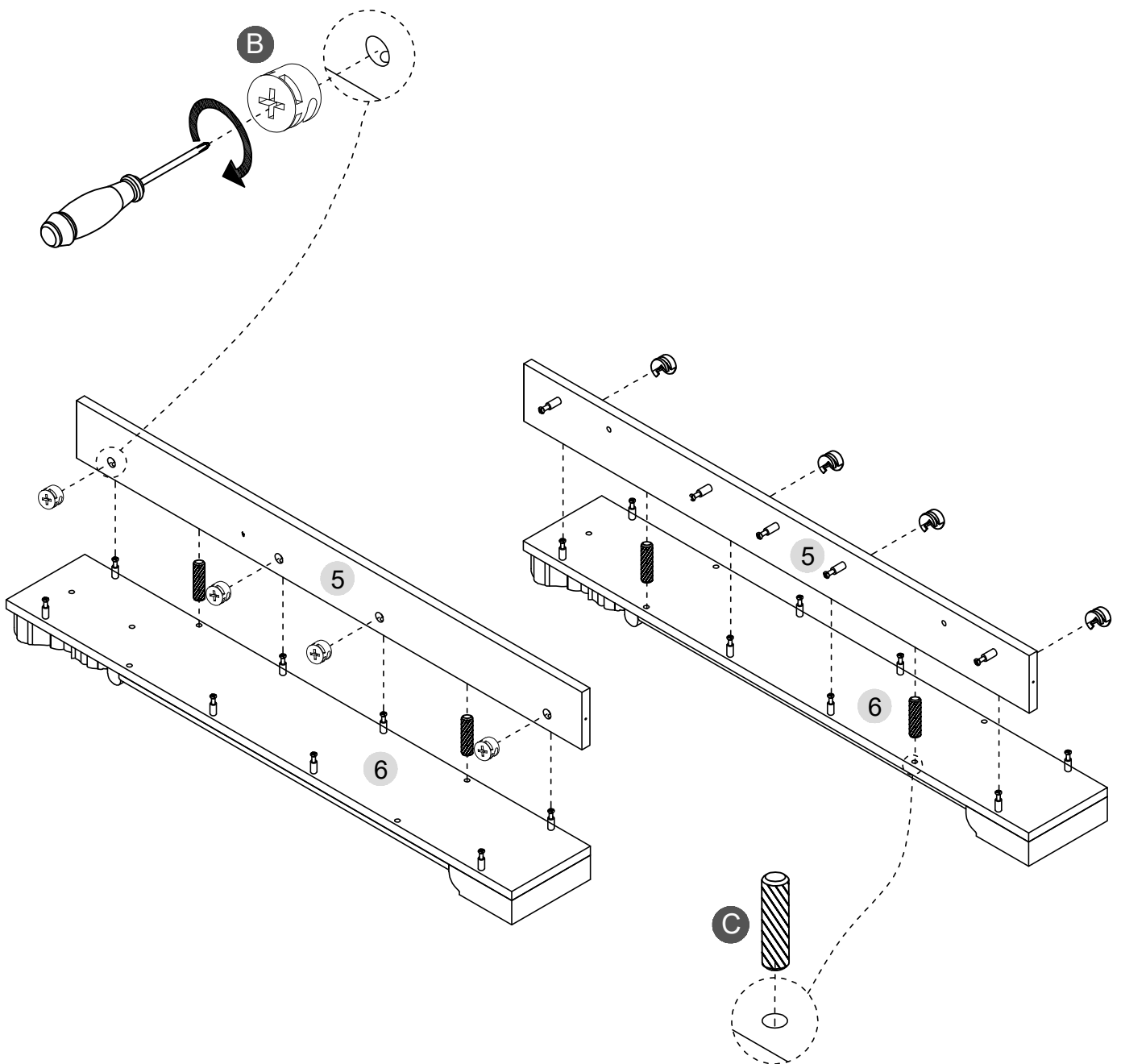
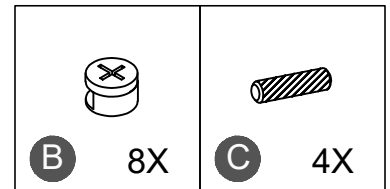


Step2



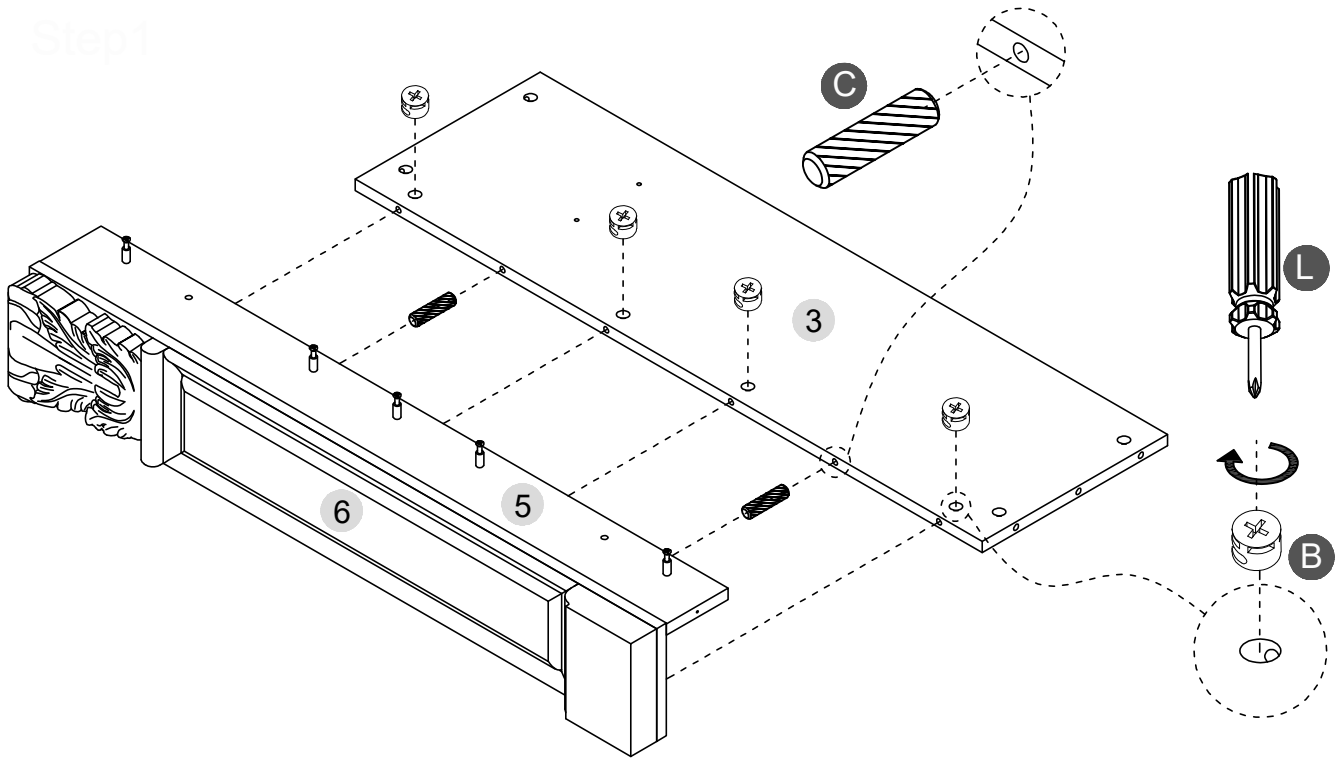
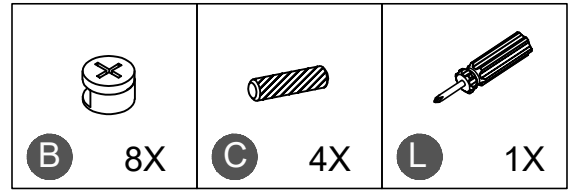
STEP 6

- Attach (C) to (6)
- Attach (5) to (6) as below shown
- Screw (B) to lock the (5) as below shown

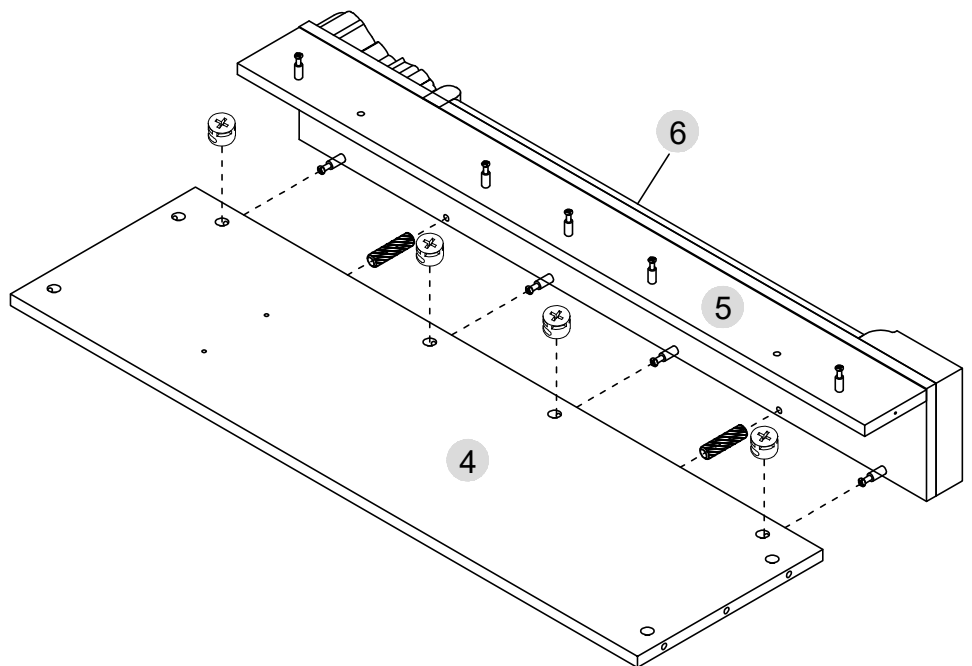


STEP 7

- Attach (C) to (3)&(4)
- Attach (6) to (3)&(4) as below shown
- Screw (B) to lock the (3)&(4) as below shown

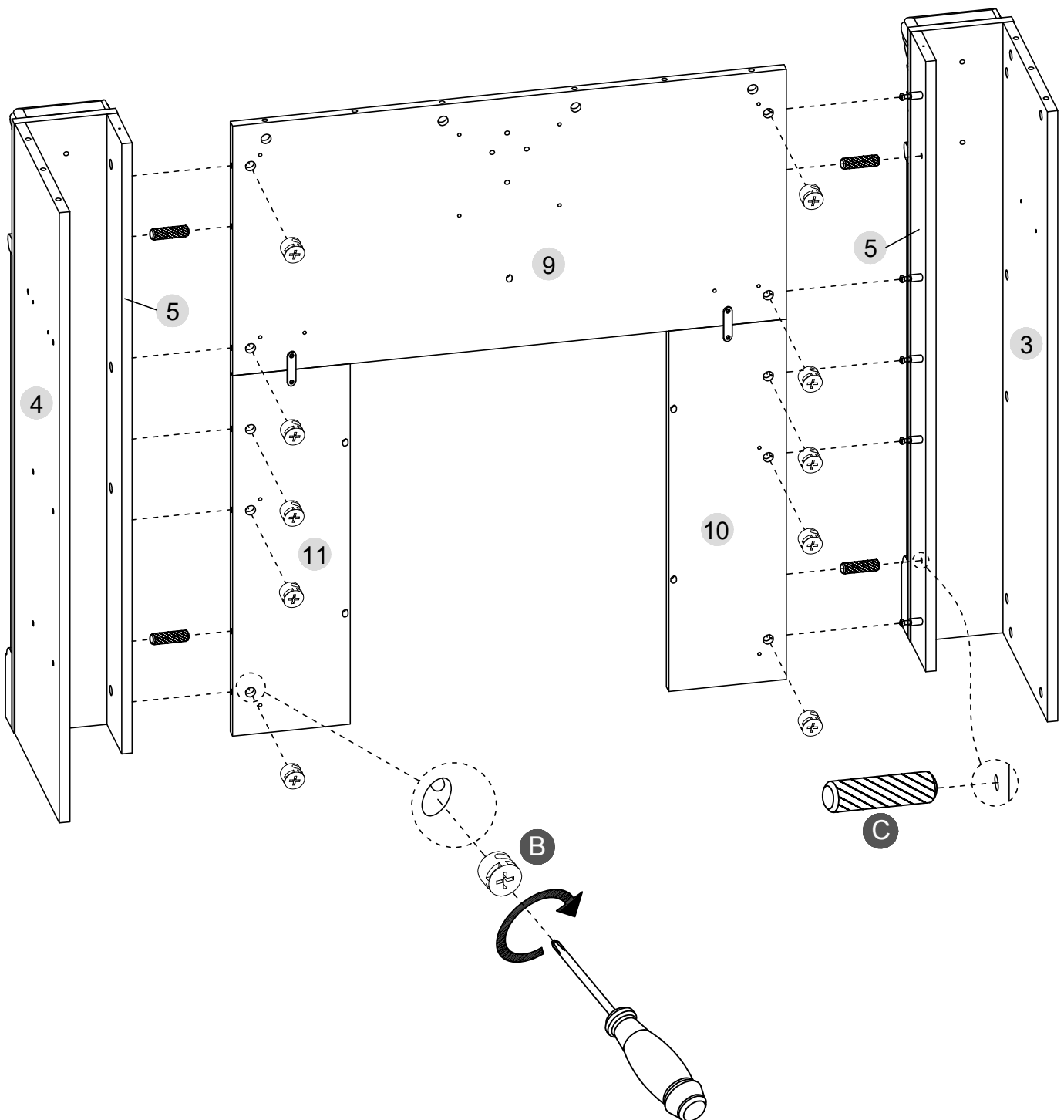
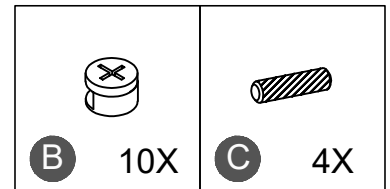


Step2



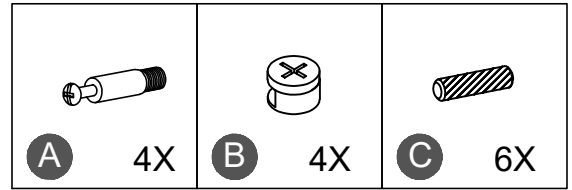
STEP 8

- Attach (C) to (5)
- Attach (9)&(10)(11) to (5) as below shown
- Screw (B) to lock the (9)&(10)(11) as below shown

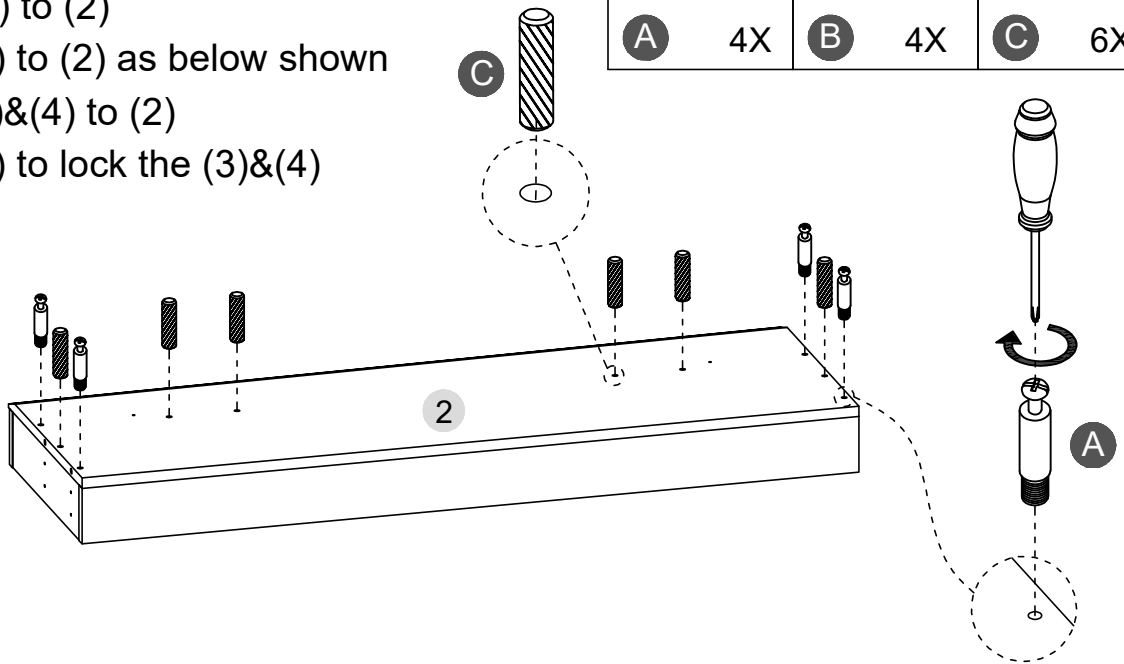


STEP 9

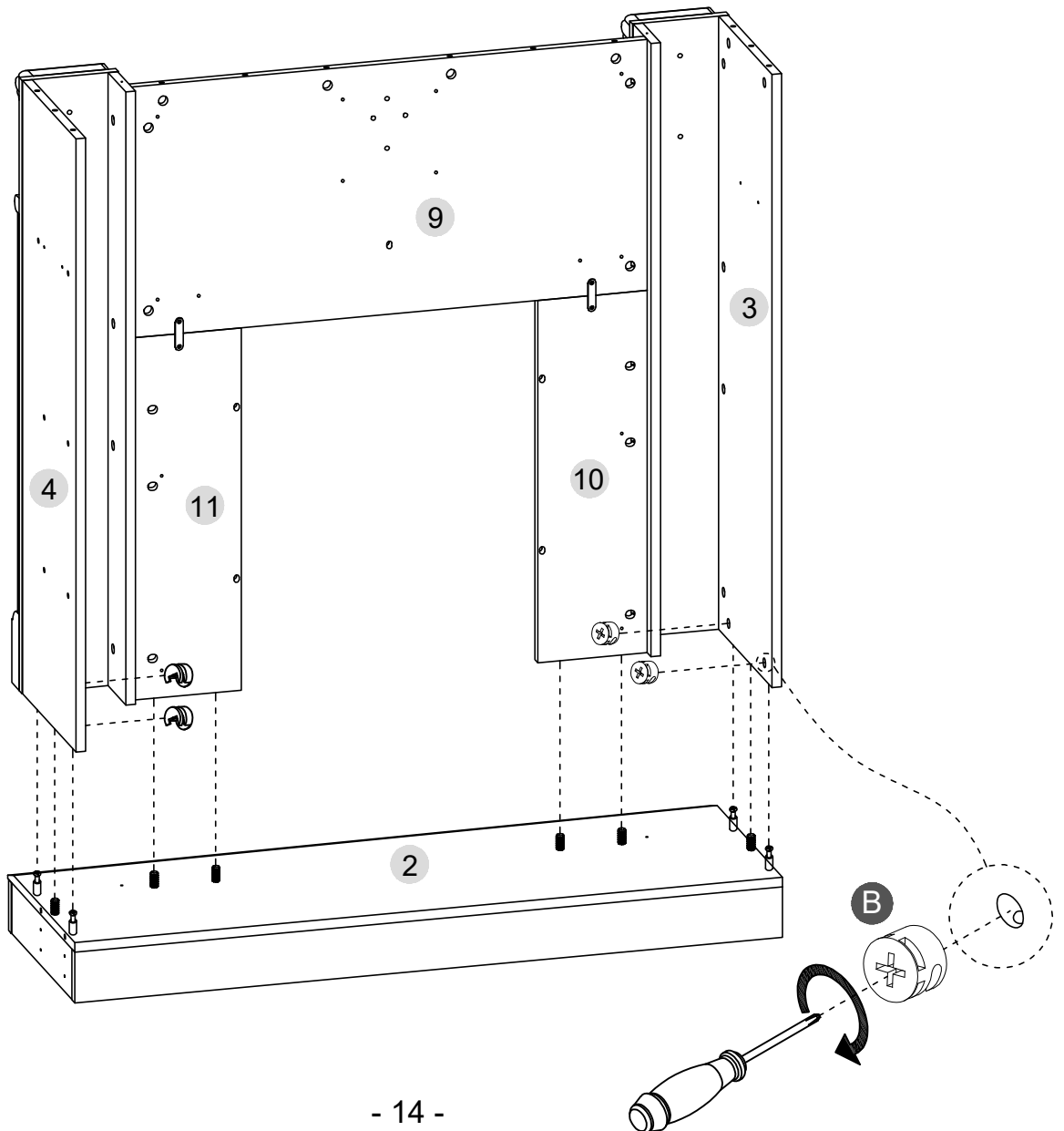
- Attach (C) to (2)
- Screw (A) to (2) as below shown
- Attach (3)&(4) to (2)
- Screw (B) to lock the (3)&(4)



Step1

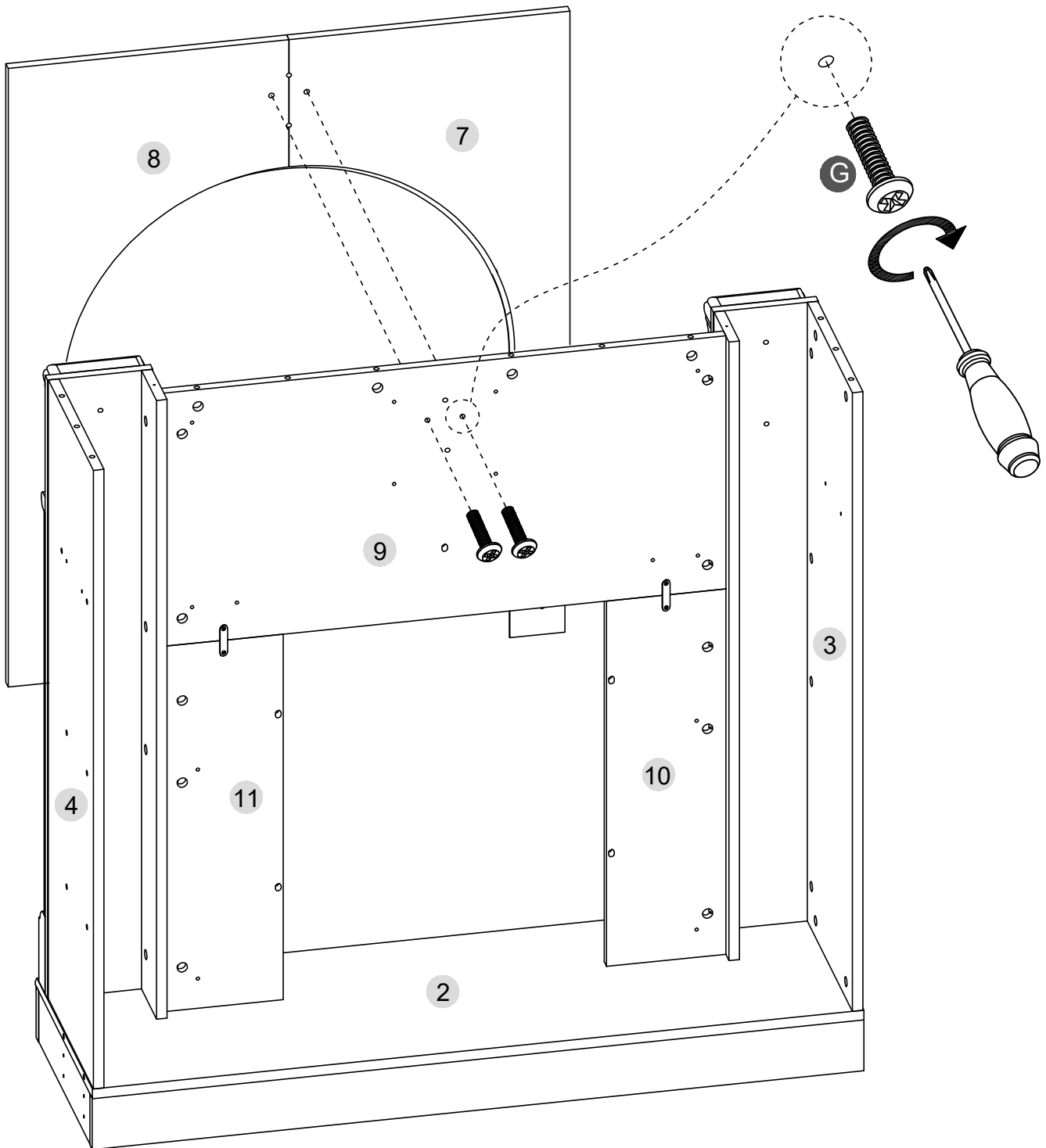
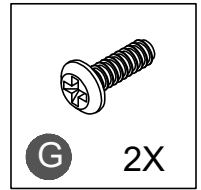


Step2

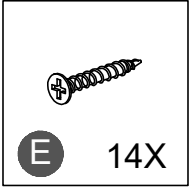


STEP 10

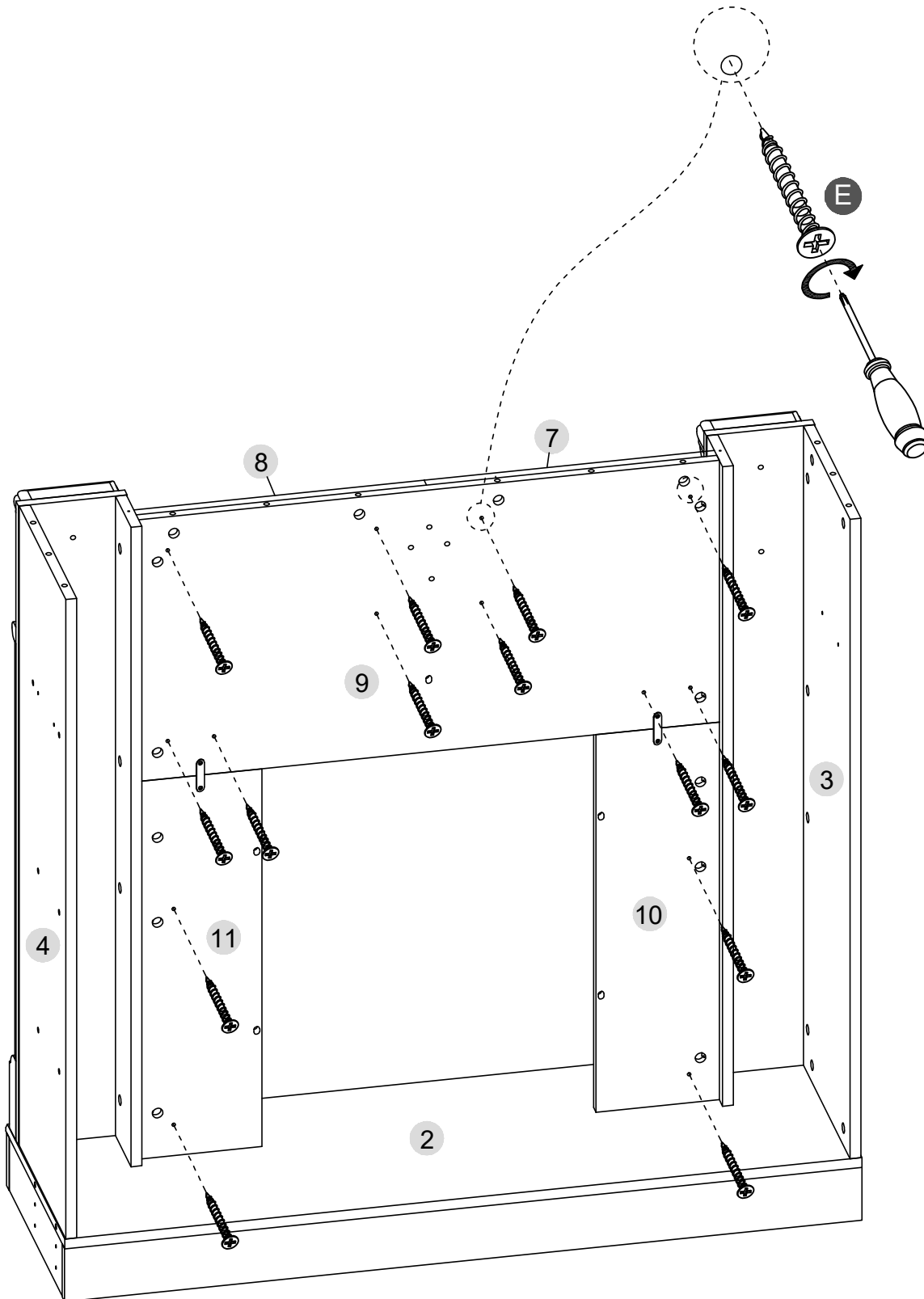
- Attach (7)(8) to (9)&(10)(11)
- Screw (G) to lock the (7)&(8) as below shown



STEP 11

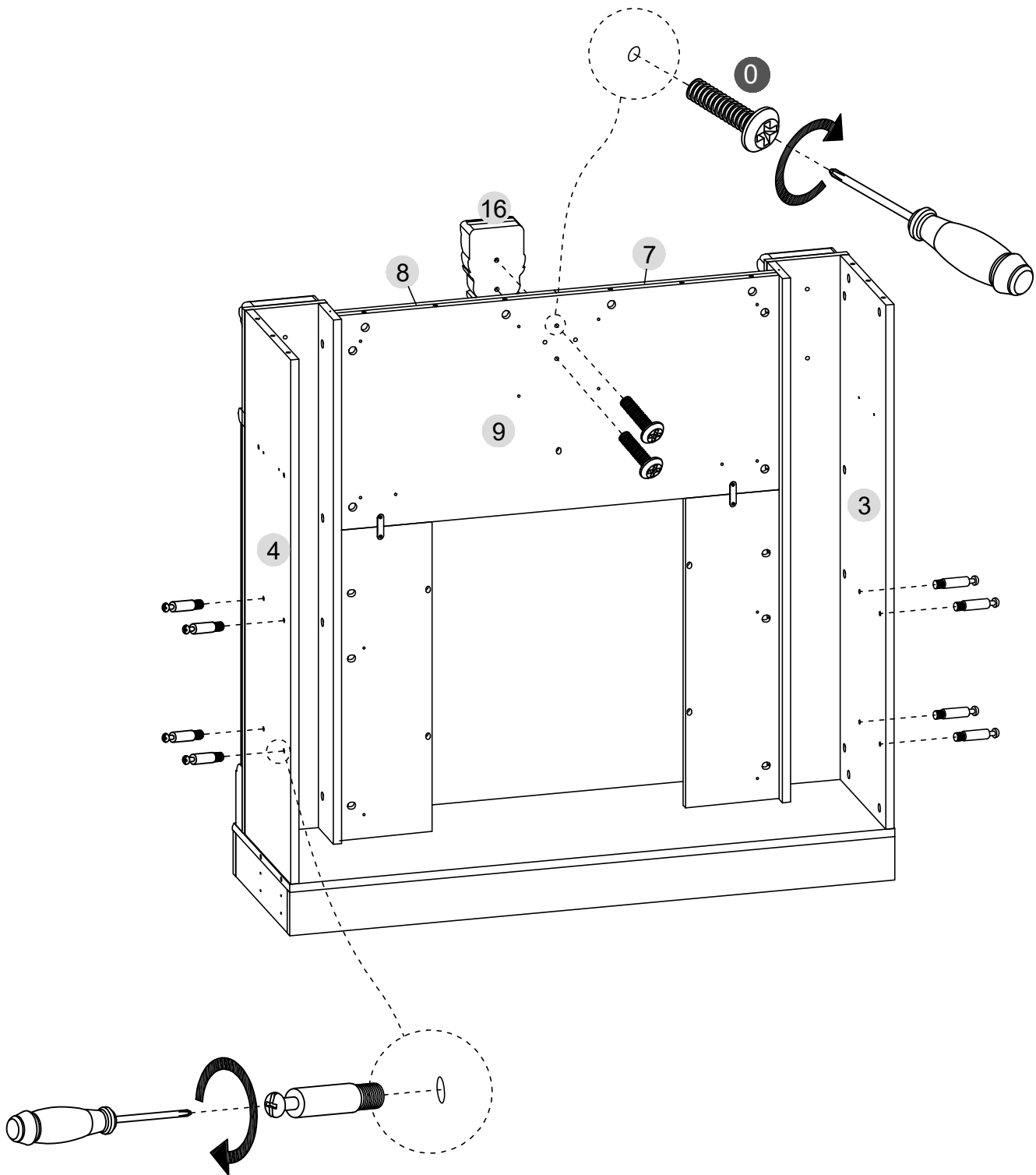
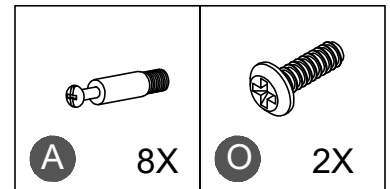


- Screw (E) to lock the (7)&(8) as below shown



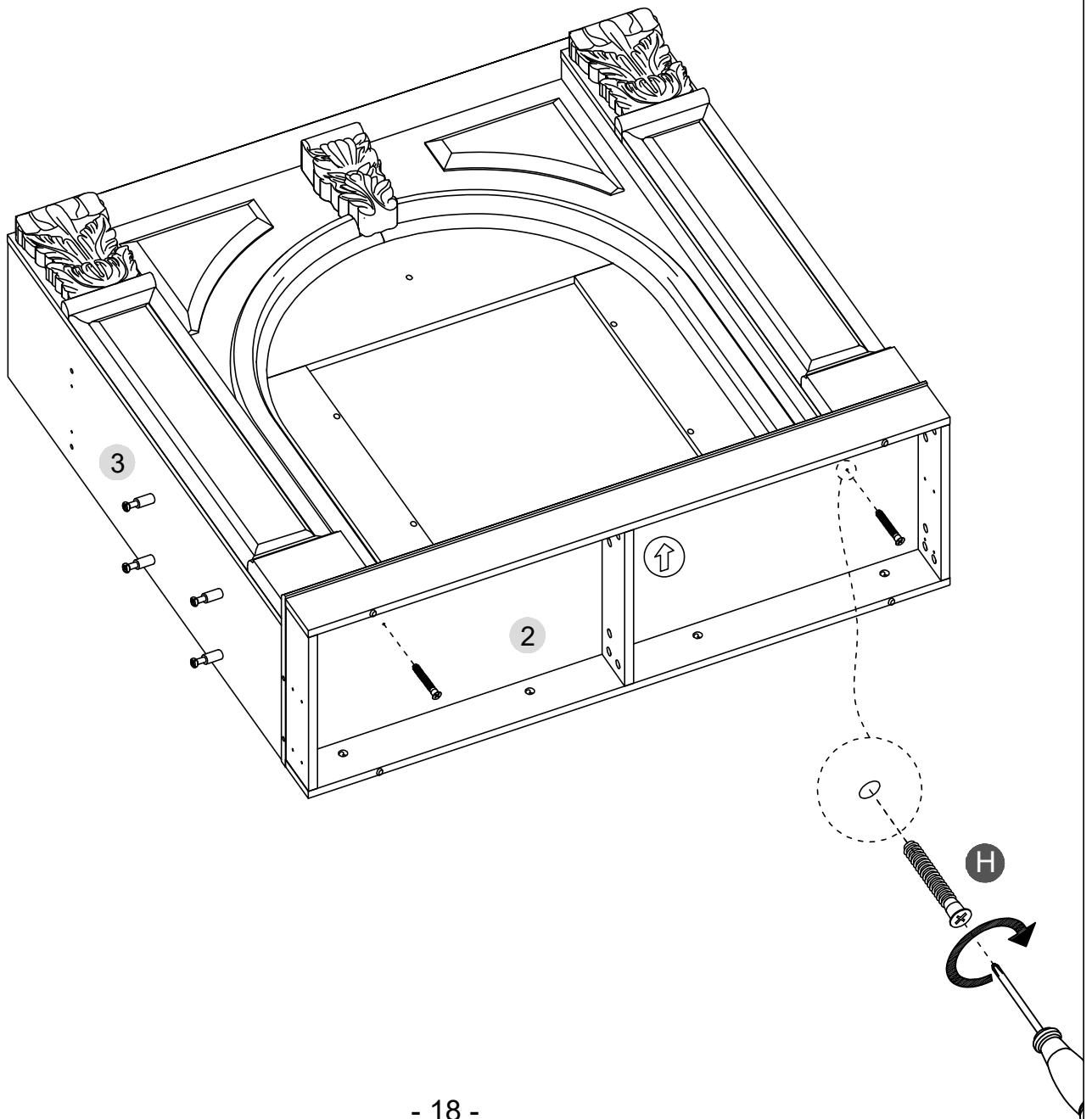
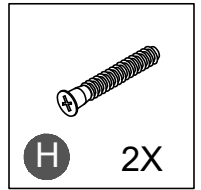
STEP 12

- Attach (16) to (7)(8)
- Screw (0) to lock the (16) as below shown
- Screw (A) to (3)&(4) as below shown



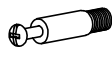


STEP 13

- Screw (H) to lock the (2)

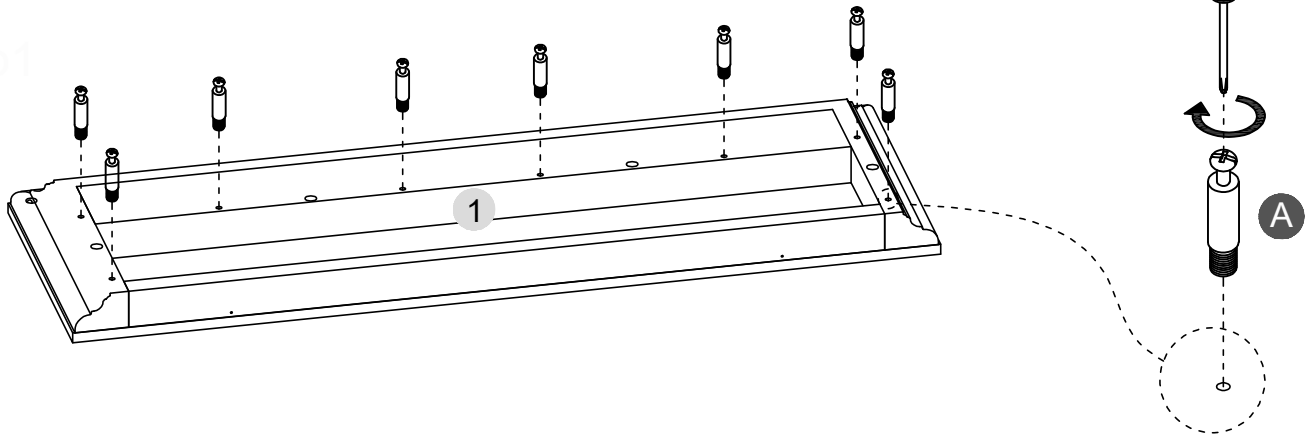


STEP 14

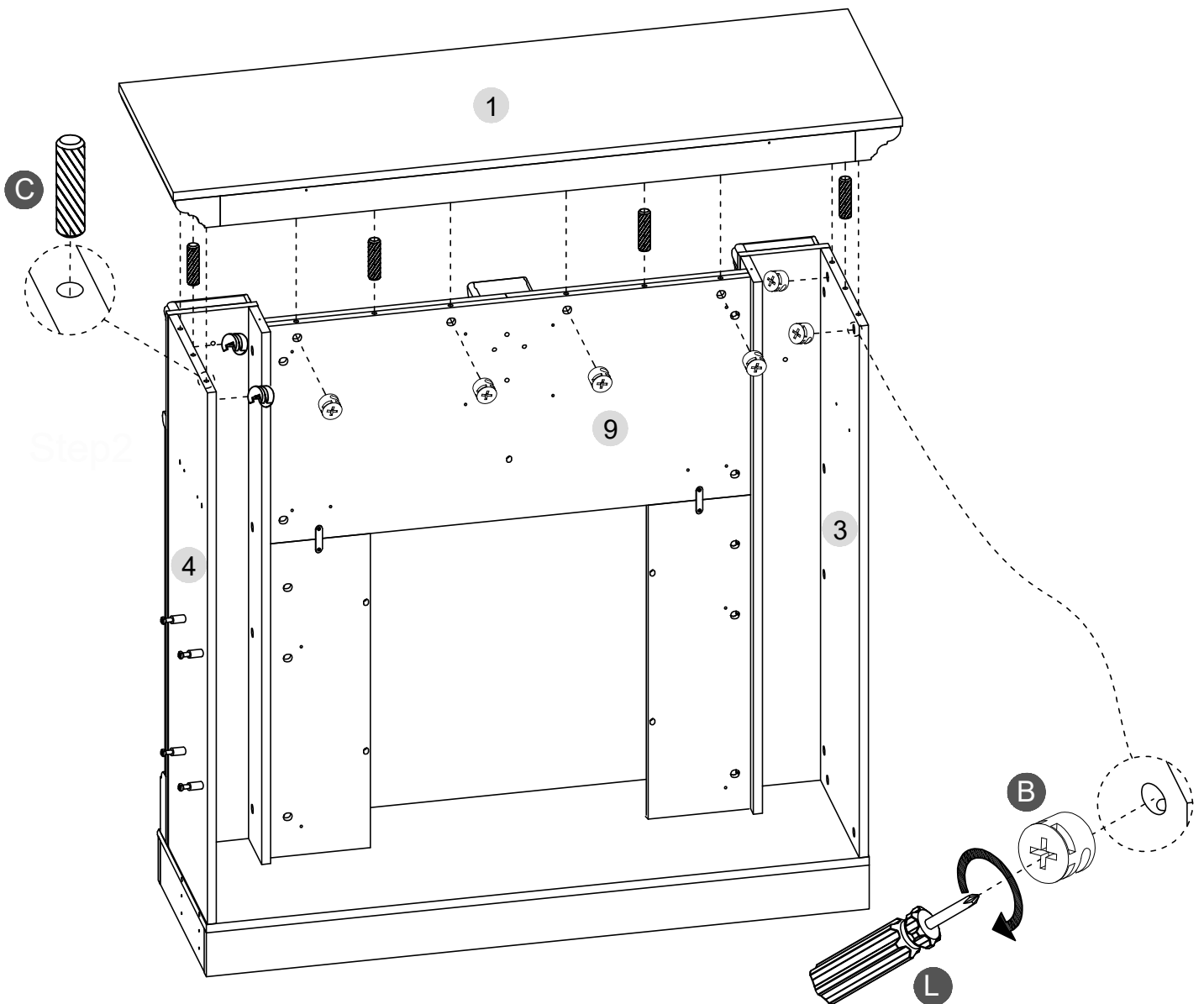
- Attach (A) to (1)
- Attach (C) to (3)&(4)(9)
- Screw (A) to (2) as below shown

		
A 8X	B 8X	C 4X

Step1

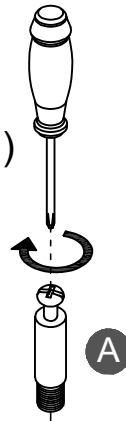
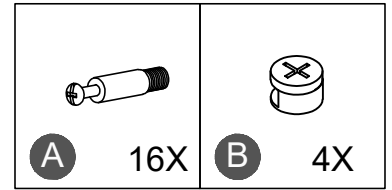


Step2

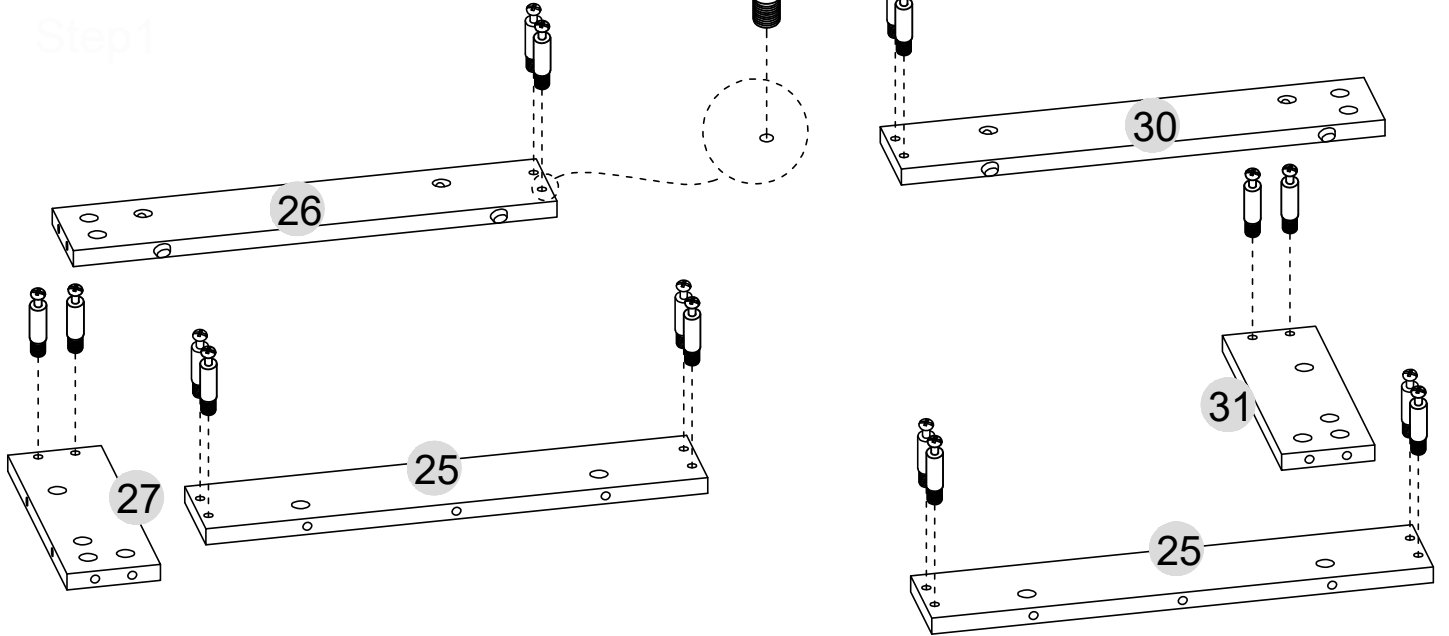


STEP 15

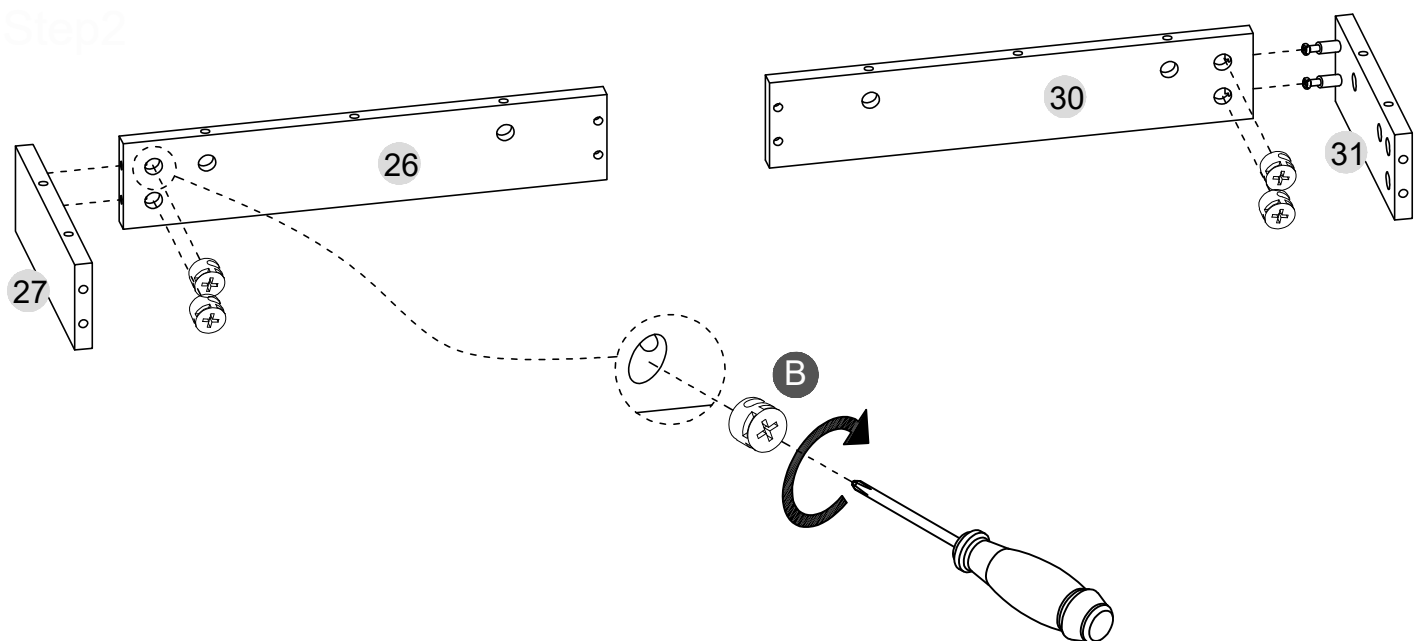
- Screw (A) to (25)& (26) (27) (30) (31)
as below shown
- Attach (27) to (26)
- Attach (31) to (30)
- Screw (B) to lock the (26)&(30)



Step1

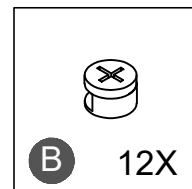


Step2

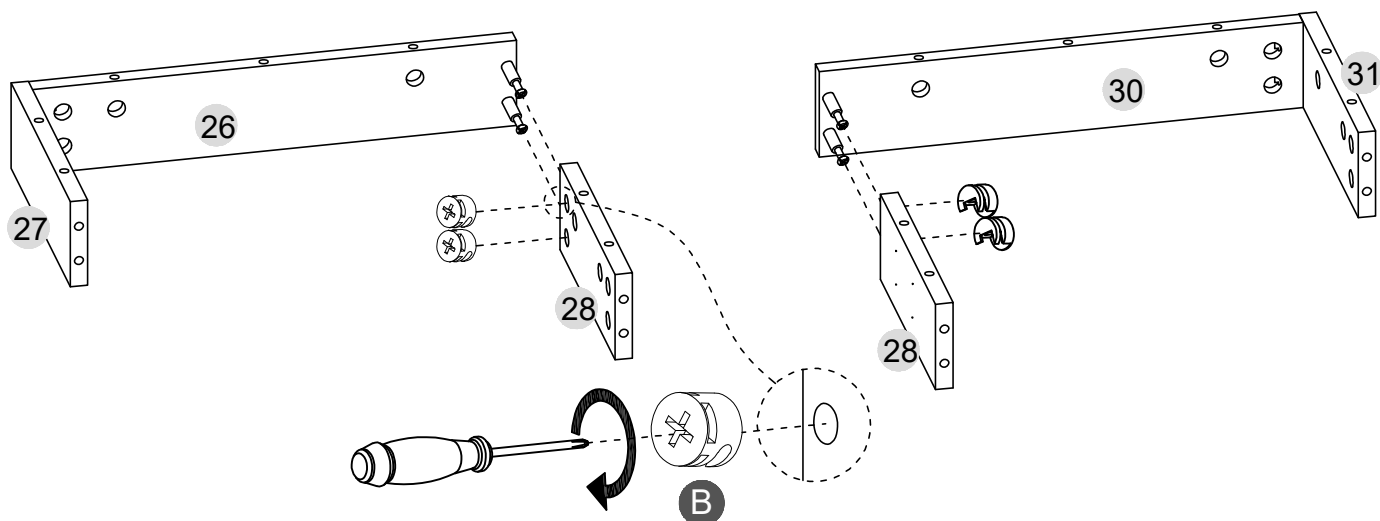


STEP 16

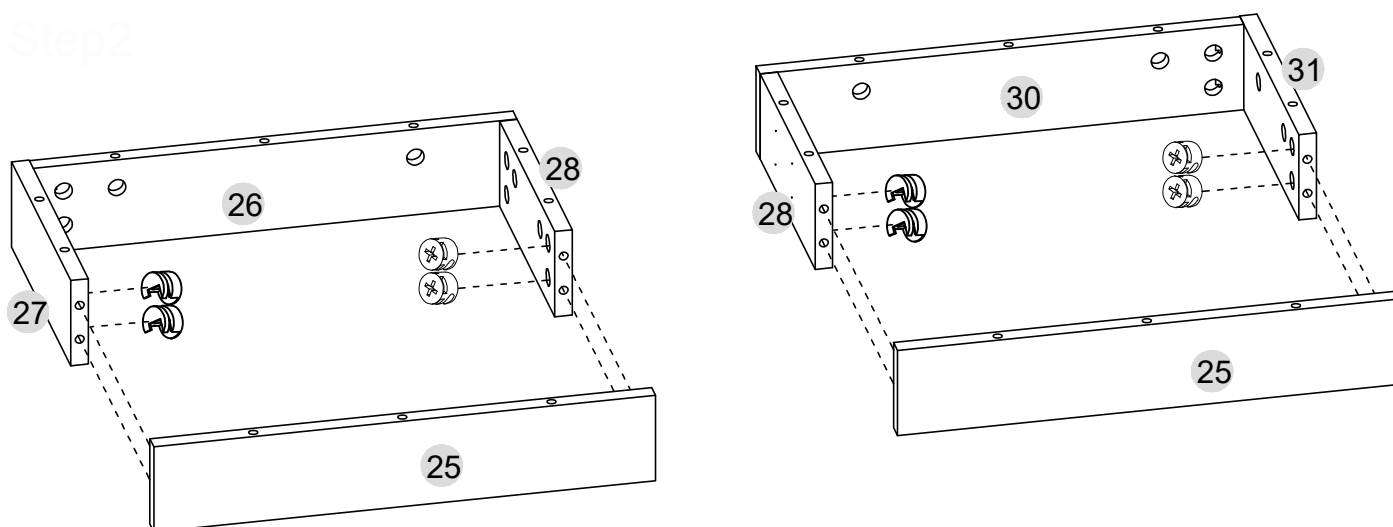
- Attach (28) to (26) and attach (28) to (30)
- Screw (B) to lock the (28)
- Attach (25) to (27)&(28)(30)
- Screw (B) to lock the (27)&(28)(31)



Step1

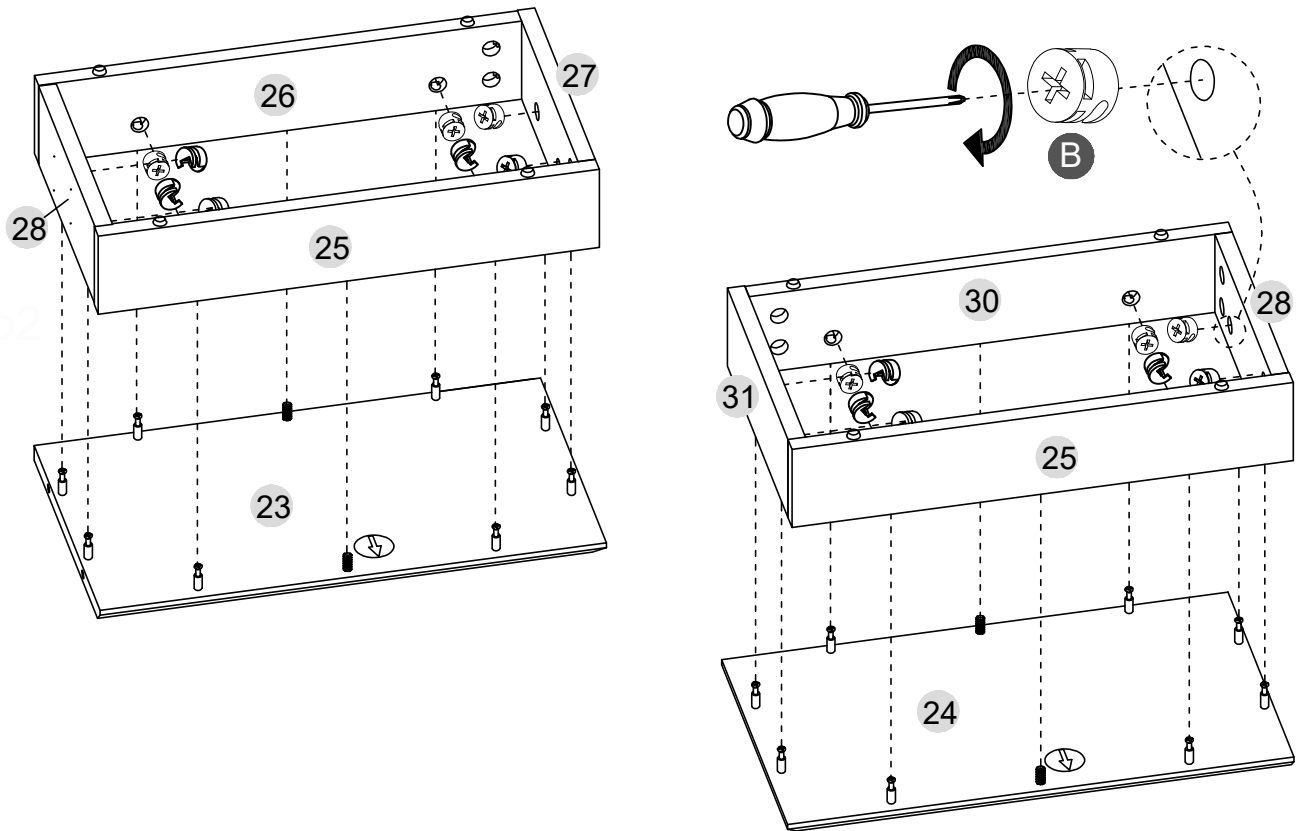
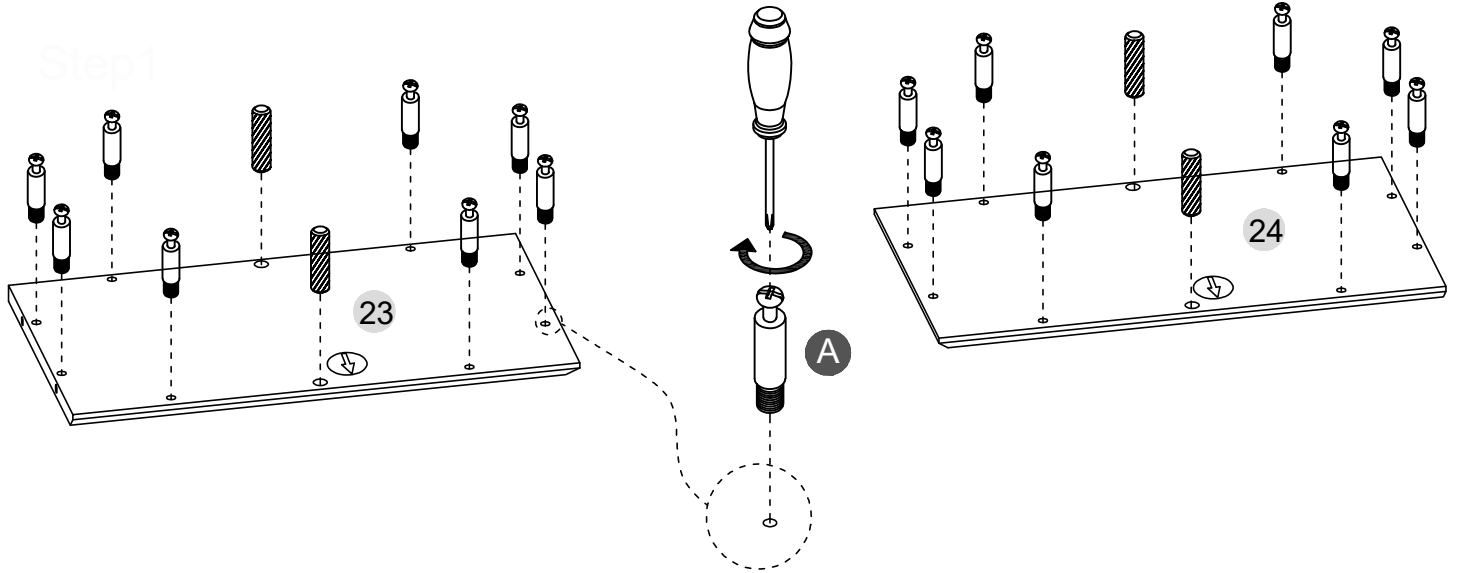
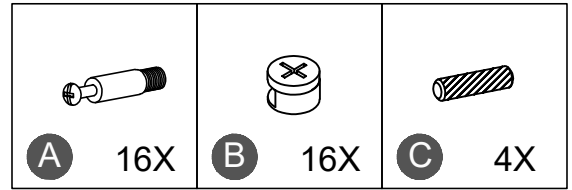


Step2



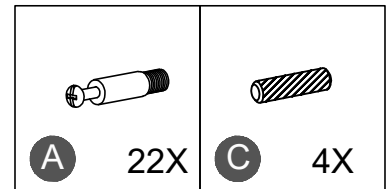
STEP 17

- Attach (C) to (23)&(24)
- Screw (A) to (23)&(24)
- Attach (25)&(26)(27)(28)(30) to (23)&(24)
- Screw (B) to lock the (25)&(26)(27)(28)(30)(31)

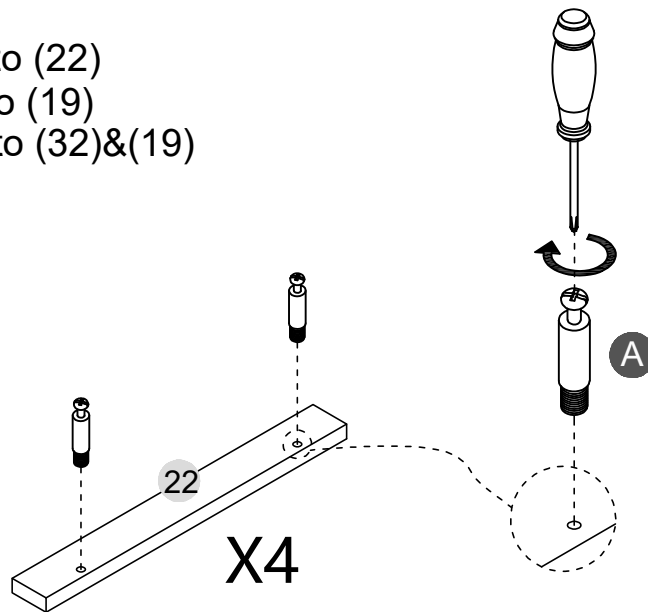


STEP 18

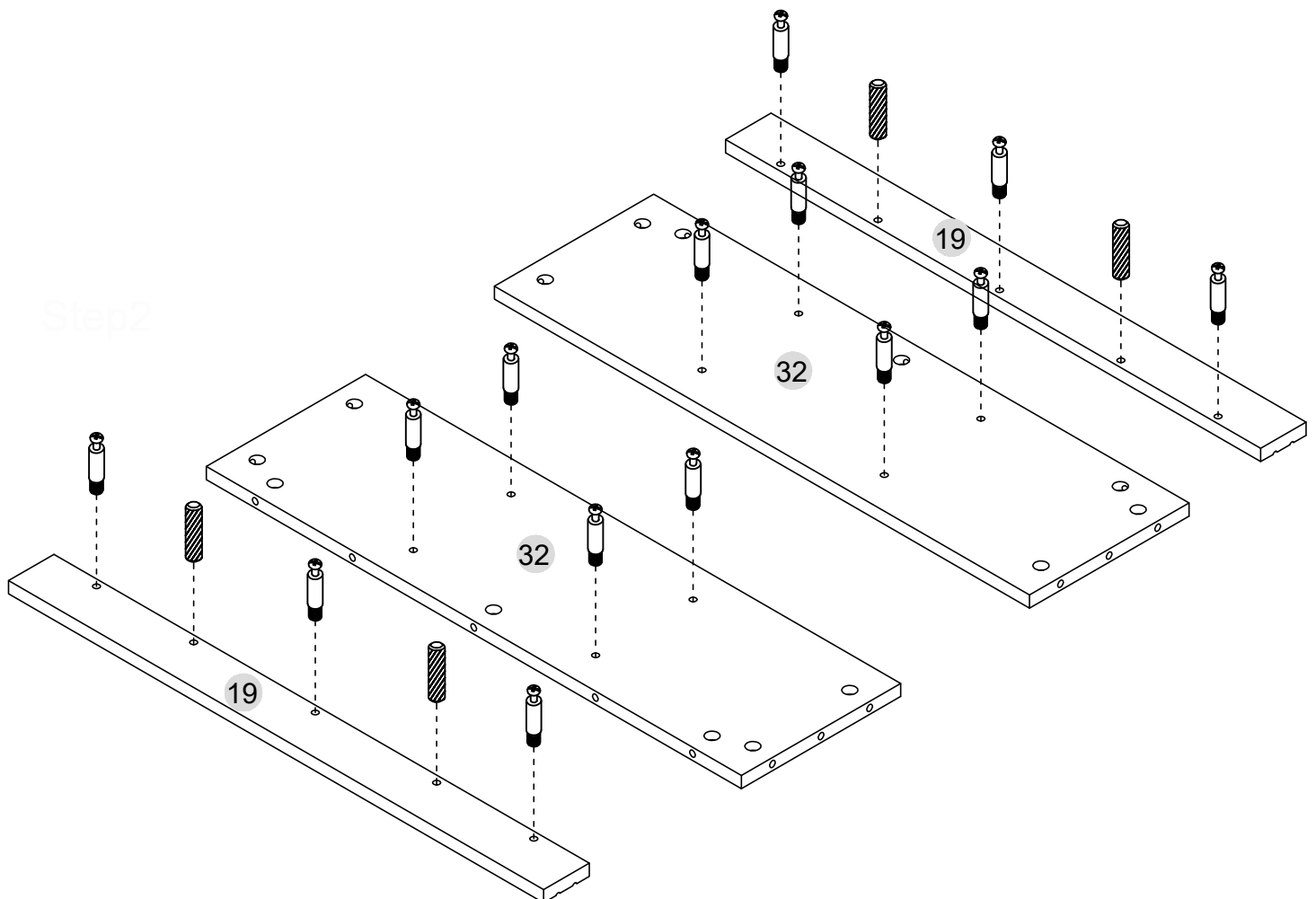
- Screw (A) to (22)
- Attach (C) to (19)
- Screw (A) to (32)&(19)



Step1

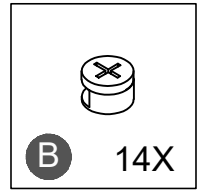


Step2

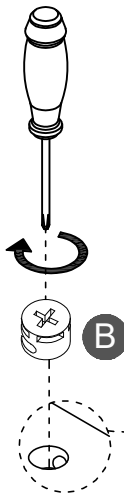
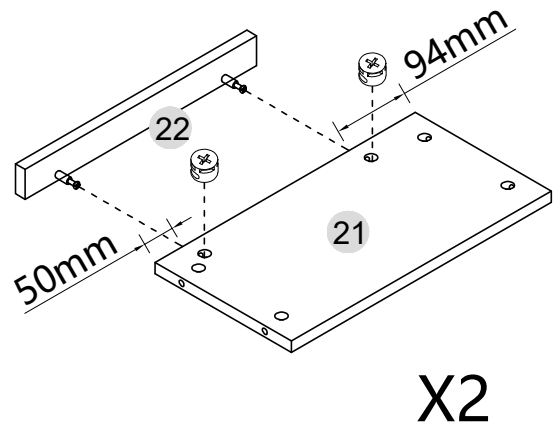
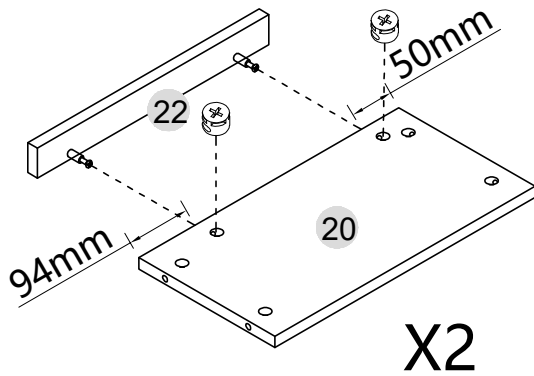


STEP 19

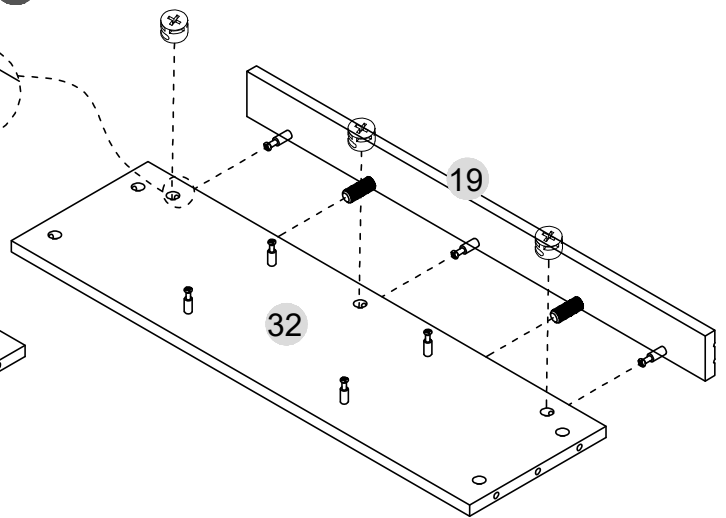
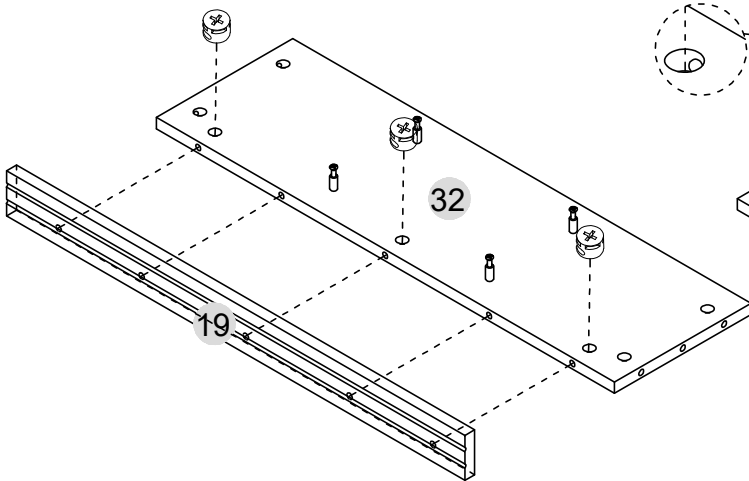
- Attach (22) to (20)&(21)
- Screw (B) to lock the (20)&(21)
- Attach (19) to (32)
- Screw (B) to lock the (32)



Step1

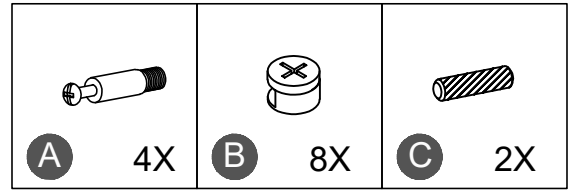


Step2

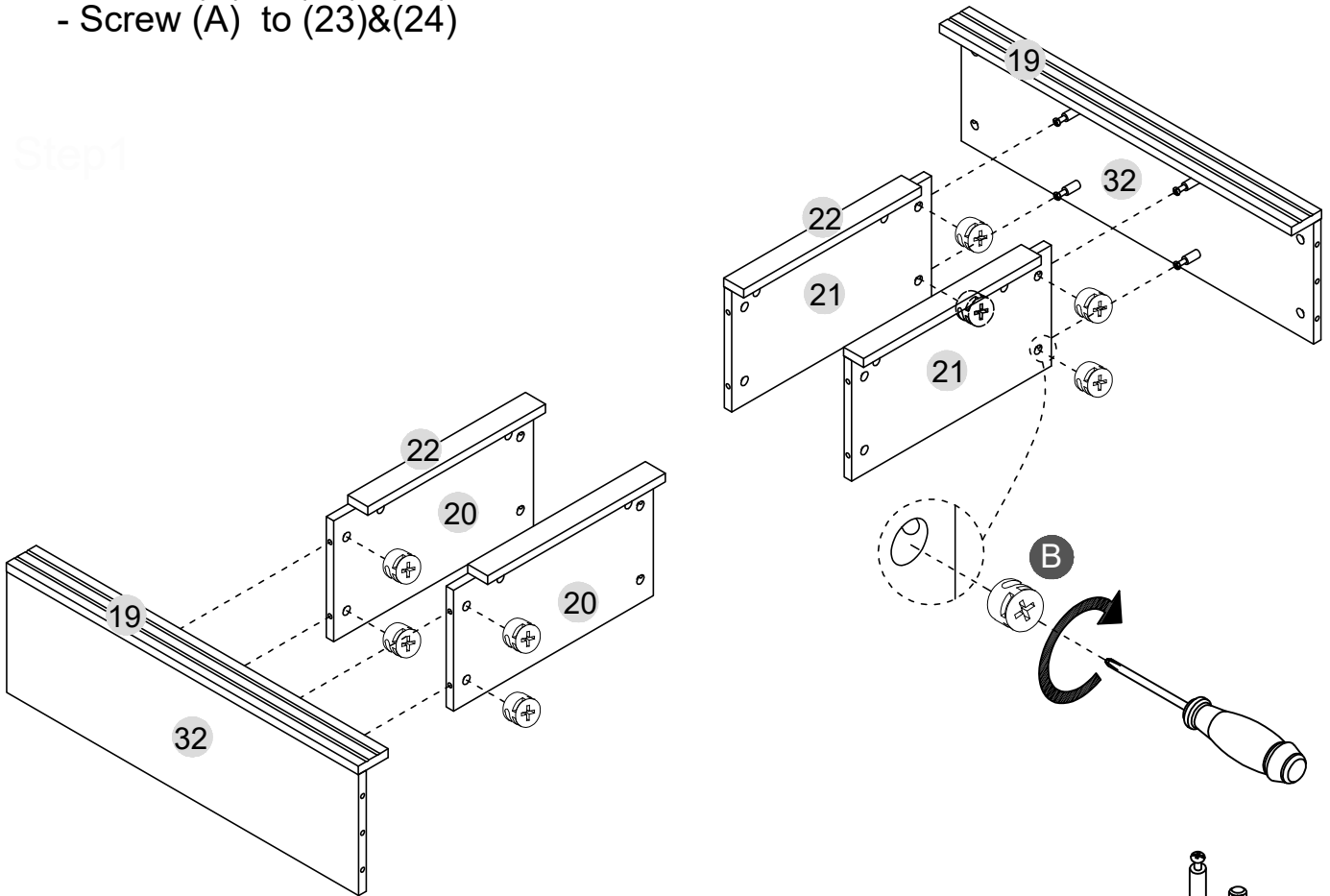


STEP 20

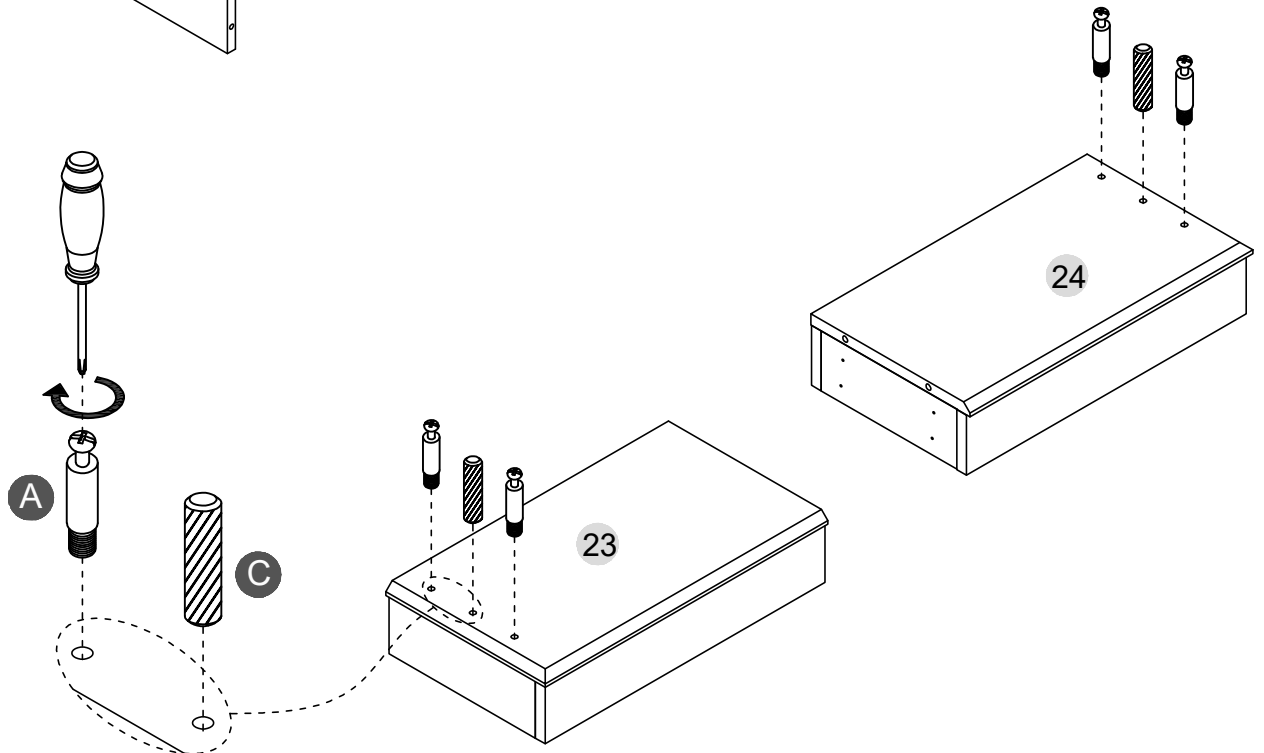
- Attach (20)(21)(22) to (32)
- Screw (B) to lock the (20)&(21)
- Attach (C) to (23)&(24)
- Screw (A) to (23)&(24)



Step1

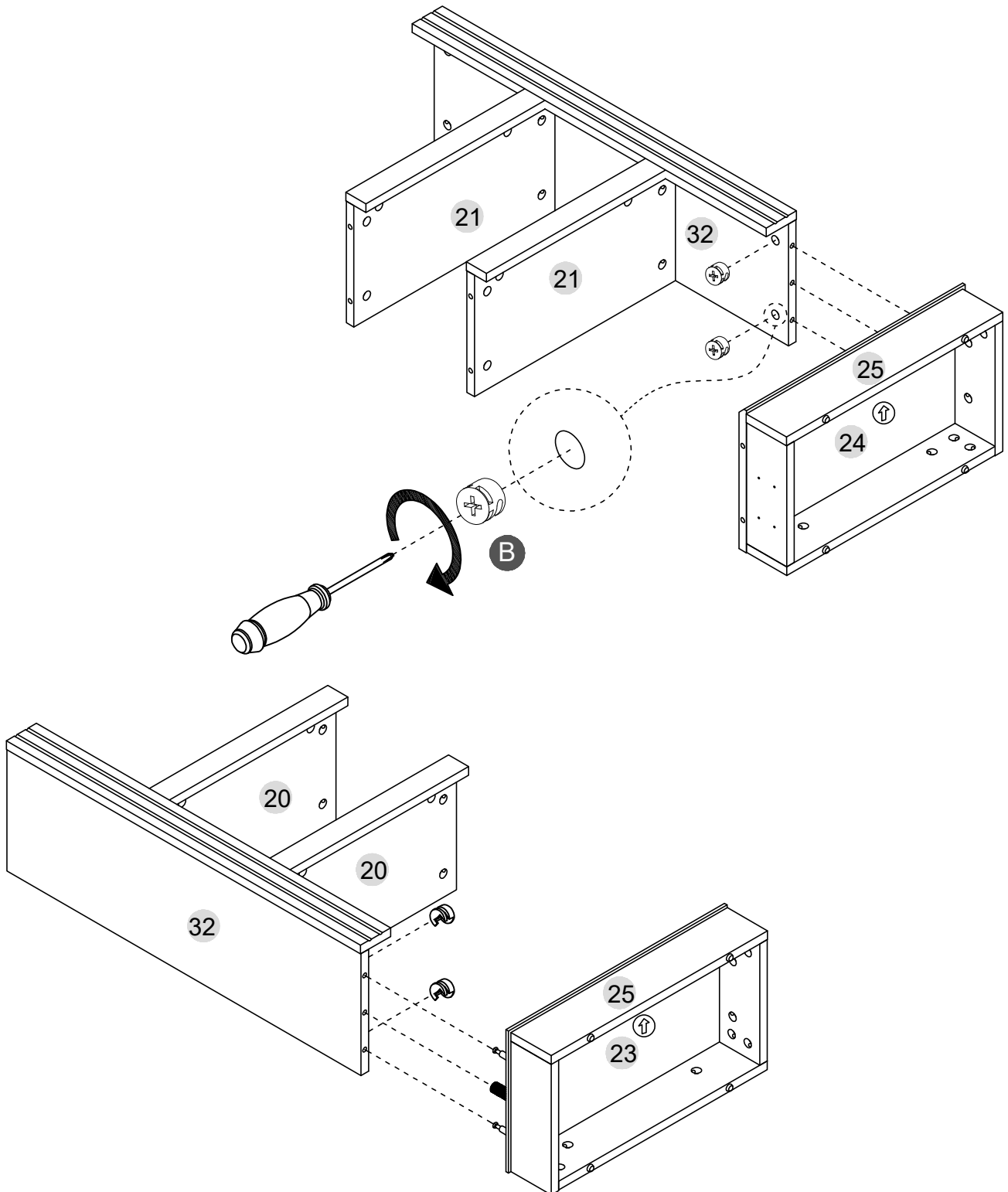
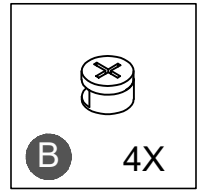


Step2



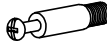


STEP 21

- Attach (23) to (32)
- Attach (24) to (32)
- Screw (B) to lock the (32)

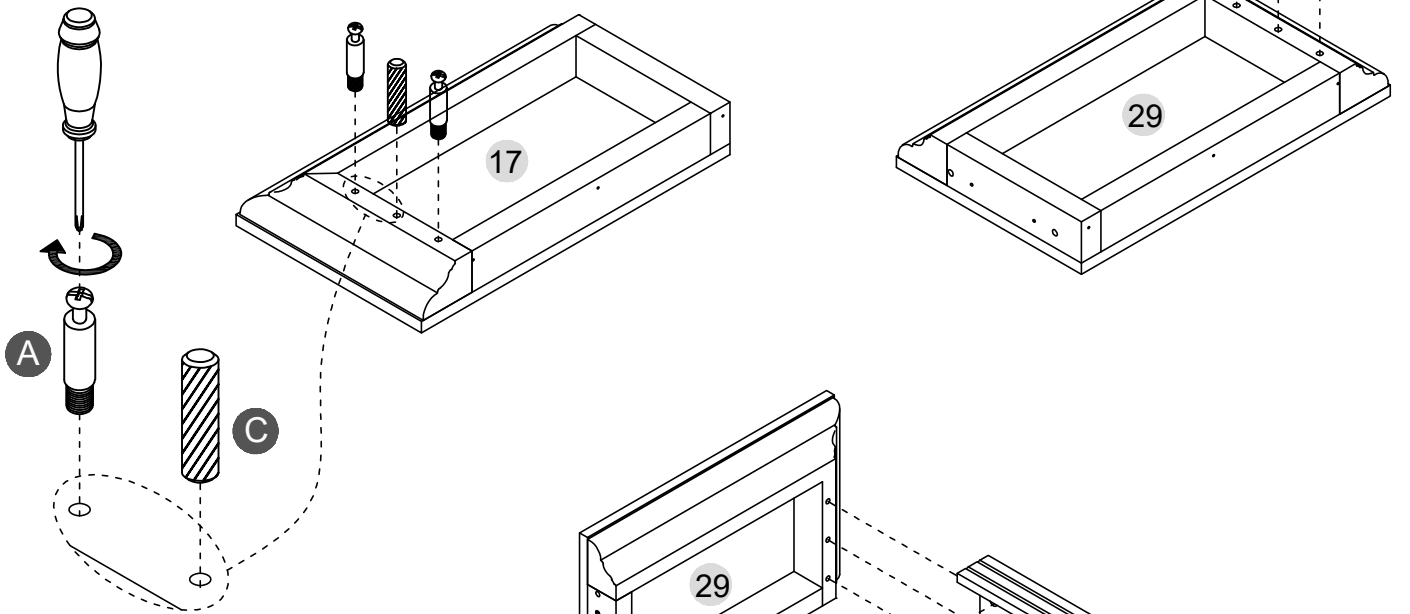


STEP 22

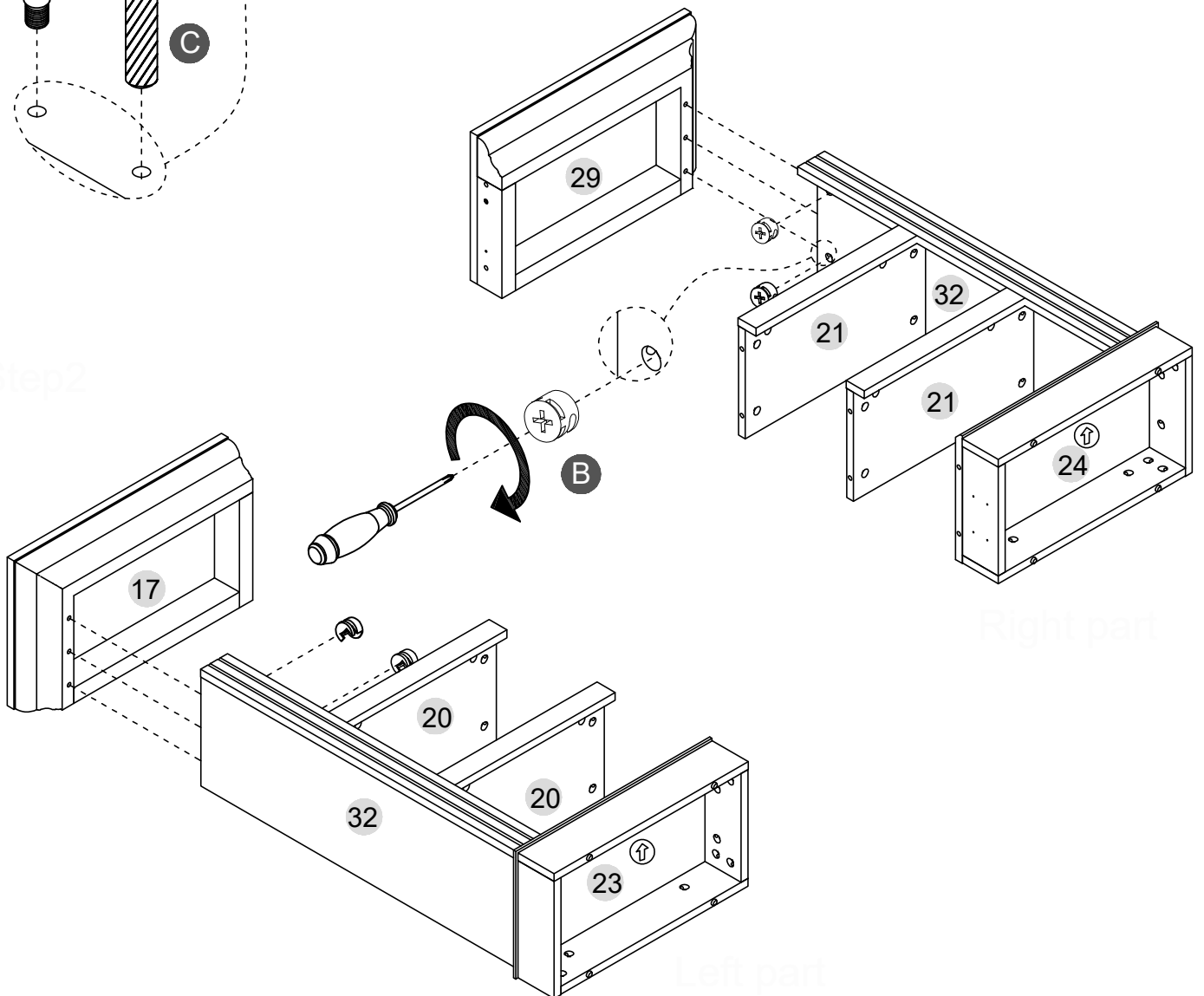
- Attach (C) to (17)&(29)
- Screw (A) to (17)&(29)
- Attach (17)&(29) to (32)
- Screw (B) to lock the (32)

		
A 4X	B 4X	C 2X

Step1



Step2

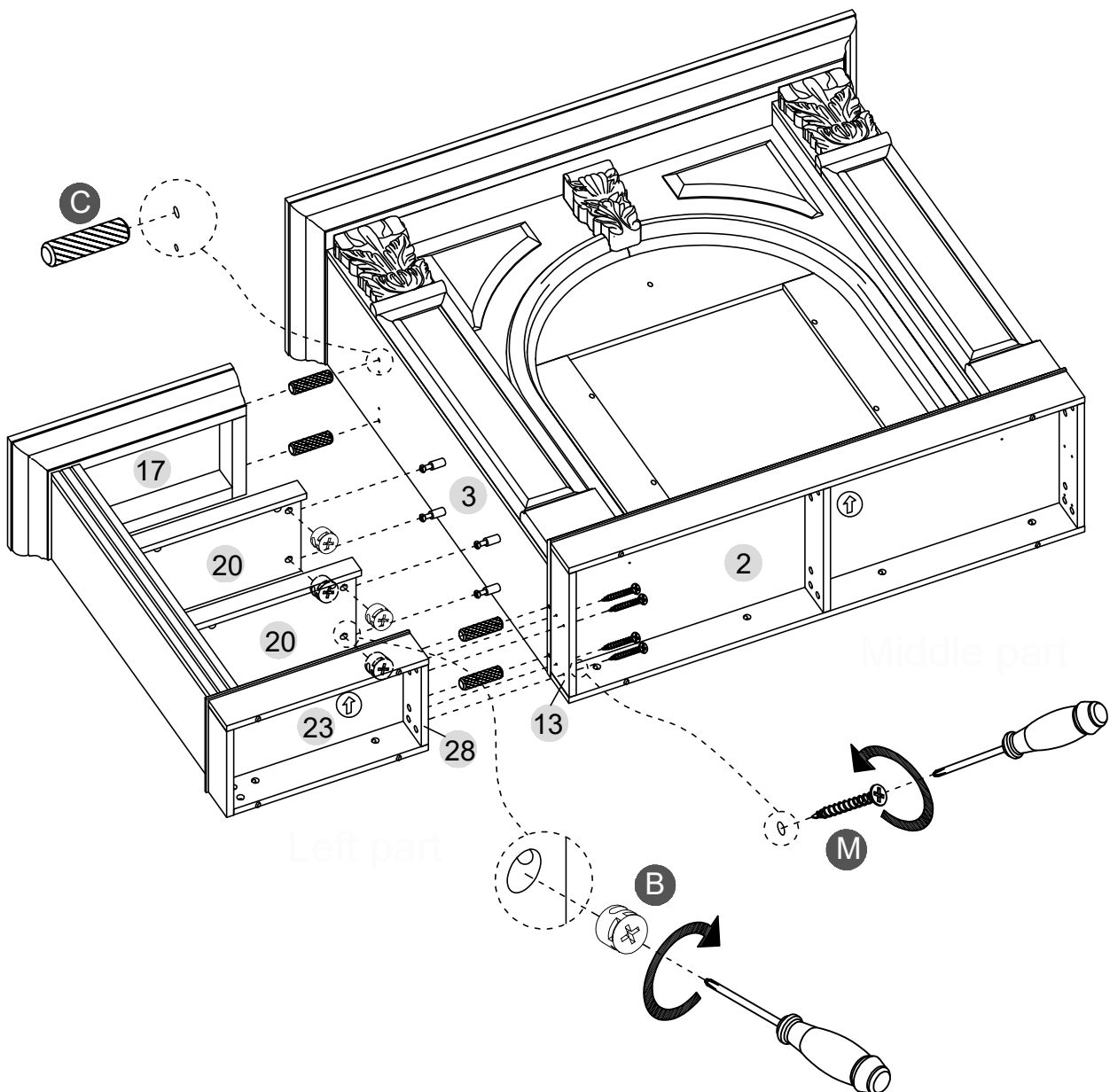
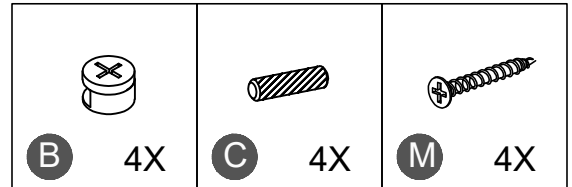


Right part

Left part

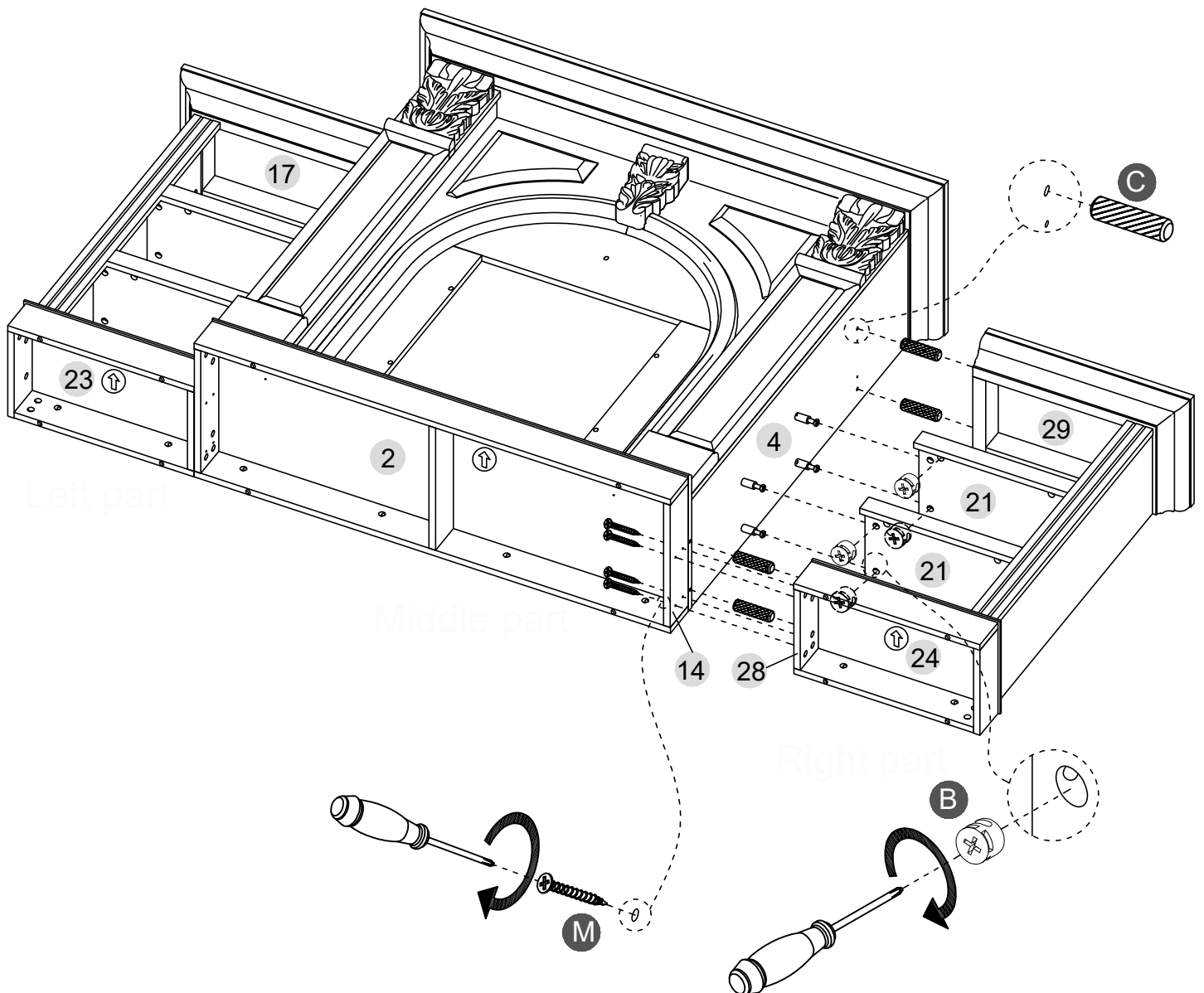
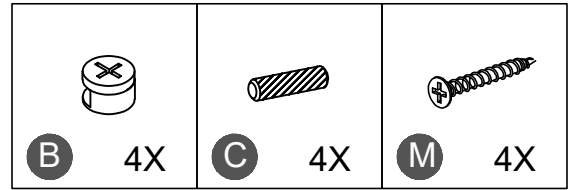
STEP 23

- Attach (C) to (3)
- Attach "Left part" to "Middle part"
- Screw (B) to lock the (20)
- Screw (M) to lock Left part



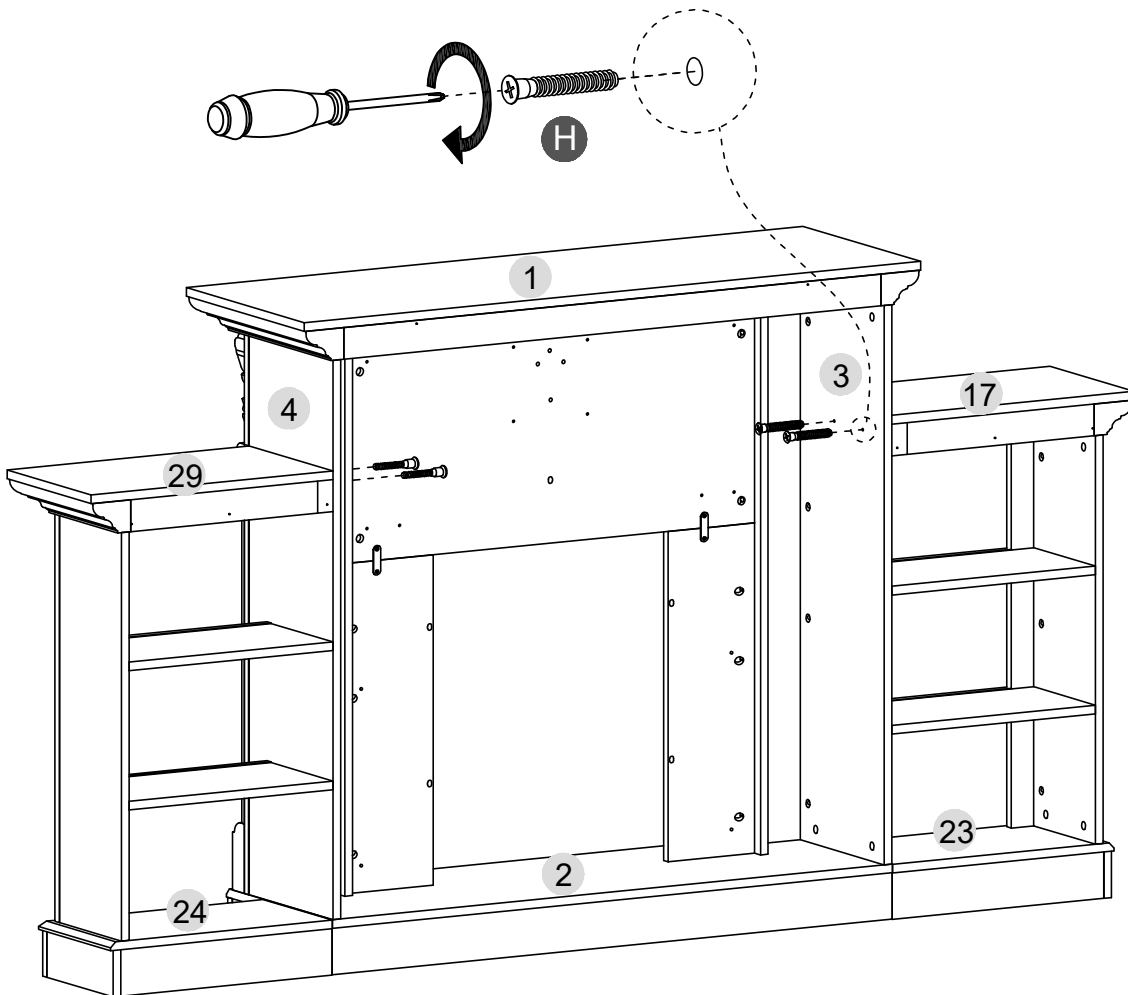
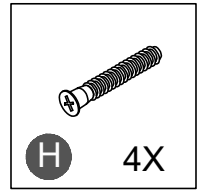
STEP 24

- Attach (C) to (4)
- Attach "Right part" to "Middle part"
- Screw (B) to lock the (21)
- Screw (M) to lock Right part



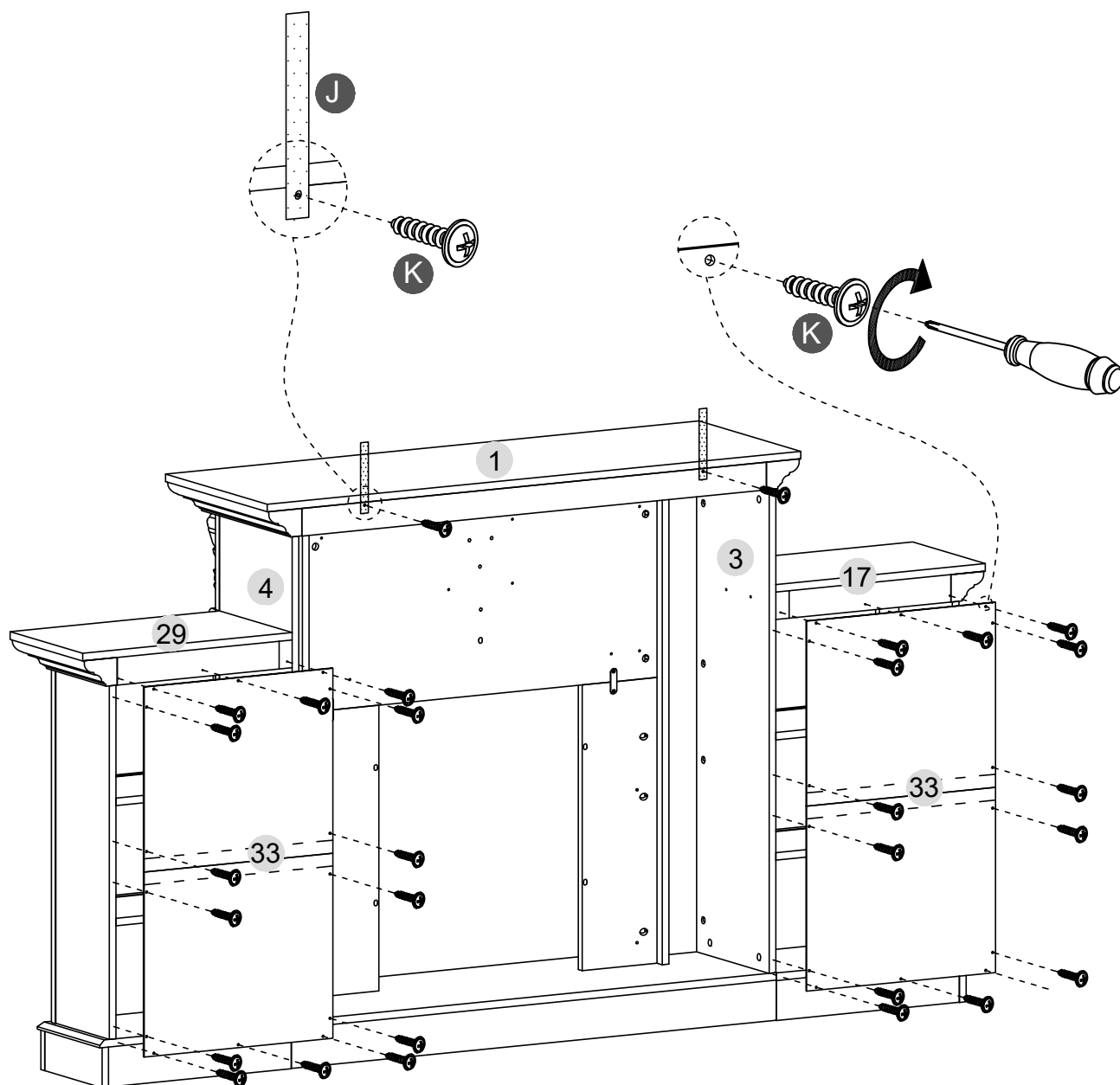
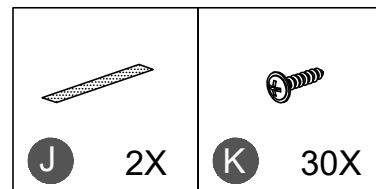
STEP 25

- Screw (H) to lock the (17)&(29)



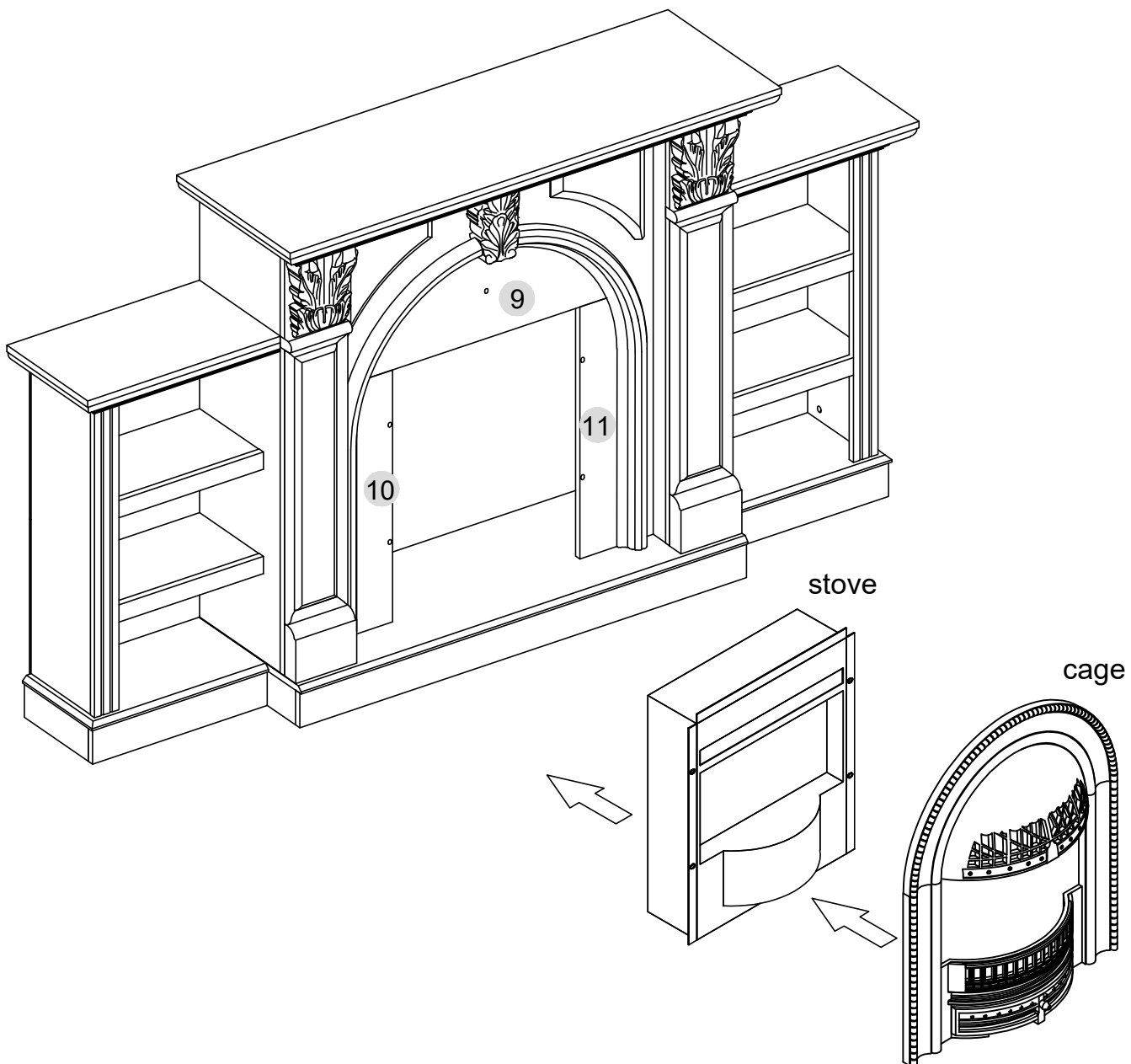
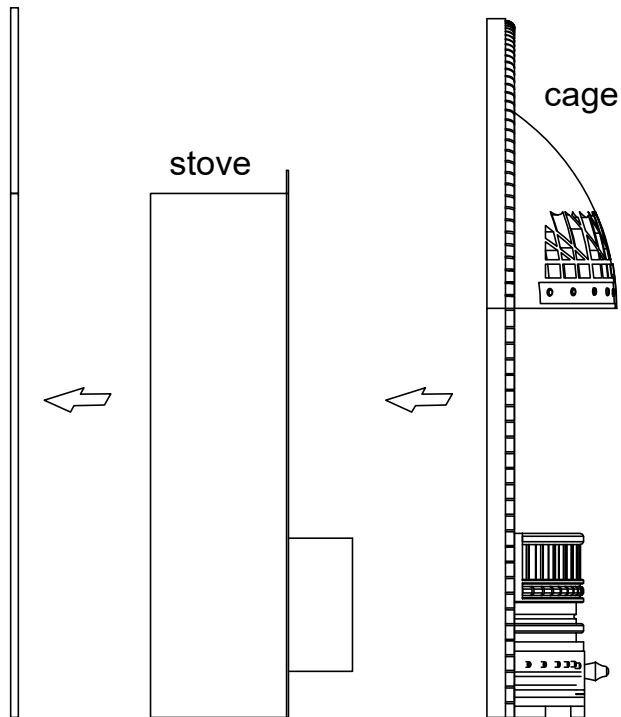
STEP 26

- Attach (33) to (17)&(29)
- Screw (K) to lock the (33)
- Screw (K) to lock the (J)&(1)



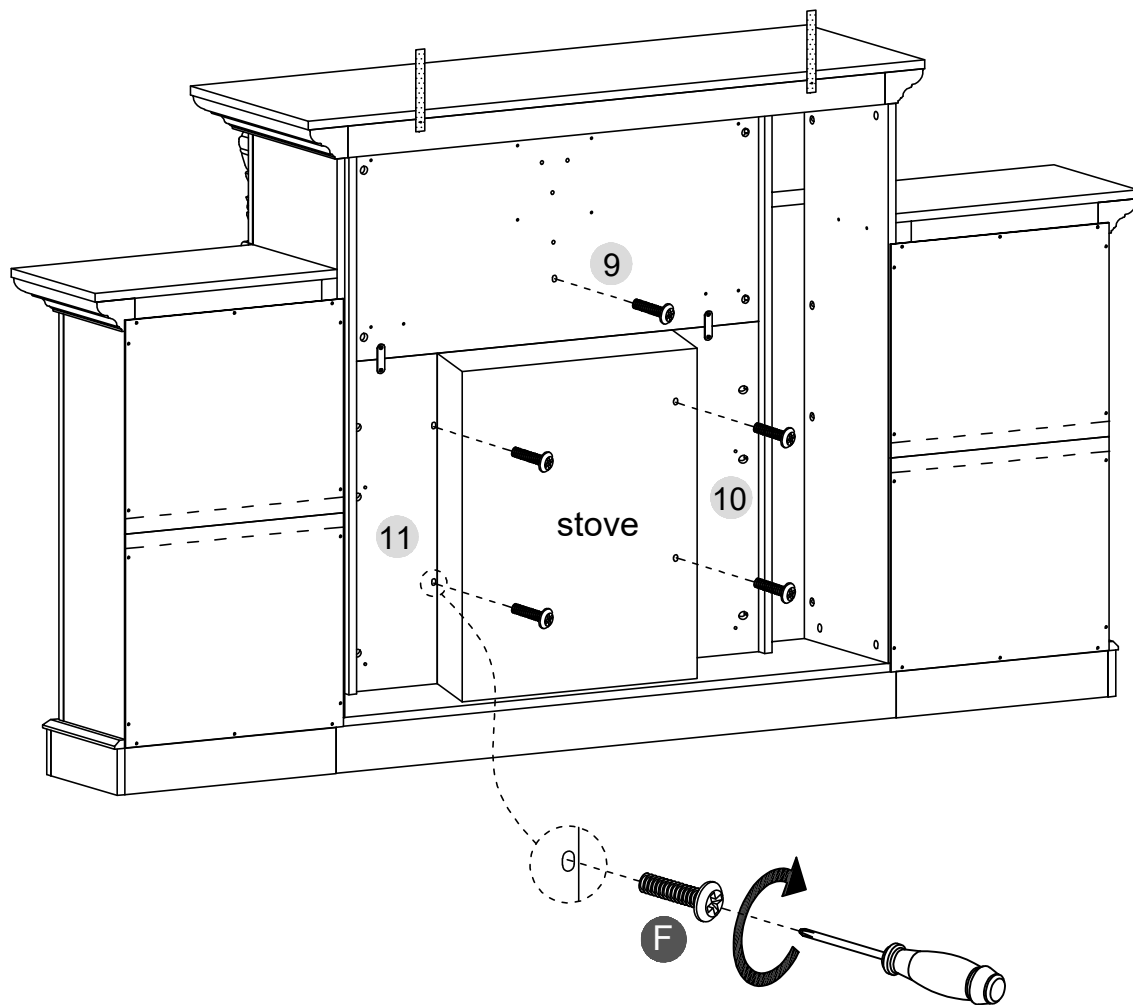
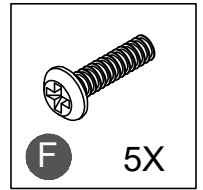
STEP 27

- Attach stove to (9)&(10)(11)
- Attach cage to stove

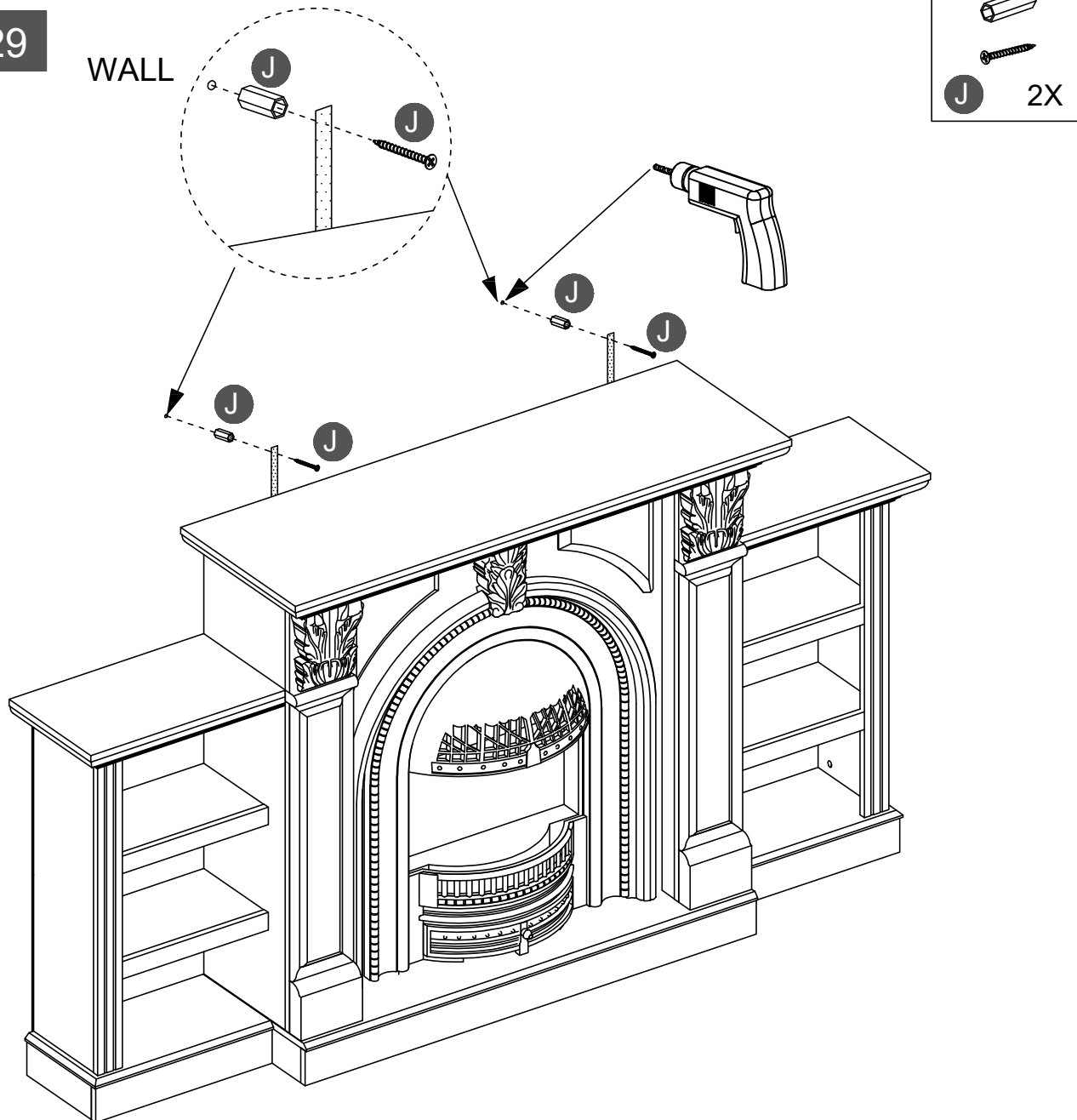


STEP 28

- Screw (F) to lock the (9)(10) (11)



STEP 29



Tools required (not included): phillips screwdriver, stud finder, tape measure, pencil, power drill and 3/16" drill bit.

Now, follow the instructions printed on the plastic bag containing the tipping restraint hardware to attach the tip-over restraints to the unit and the wall.

NOTE: The tipping restraint hardware included is for wooden stud wall construction. it must be attached to a wall stud. depending upon your wall construction, different anchor hardware maybe required. please contact your local hardware store for assistance. young children can be seriously injured by tipping furniture. you must install the tipping restraint hardware with the unit to prevent the unit from tipping, causing any accidents or damage. the tipping restraints are intended only as a deterrent, they are not a substitute for proper adult supervision. the tipping restraints are not earthquake restraints. if you wish to add the extra security of earthquake restraints, they must be purchased and installed separately.

STEP 30

FINAL

Great, you got a large electric fireplace !

