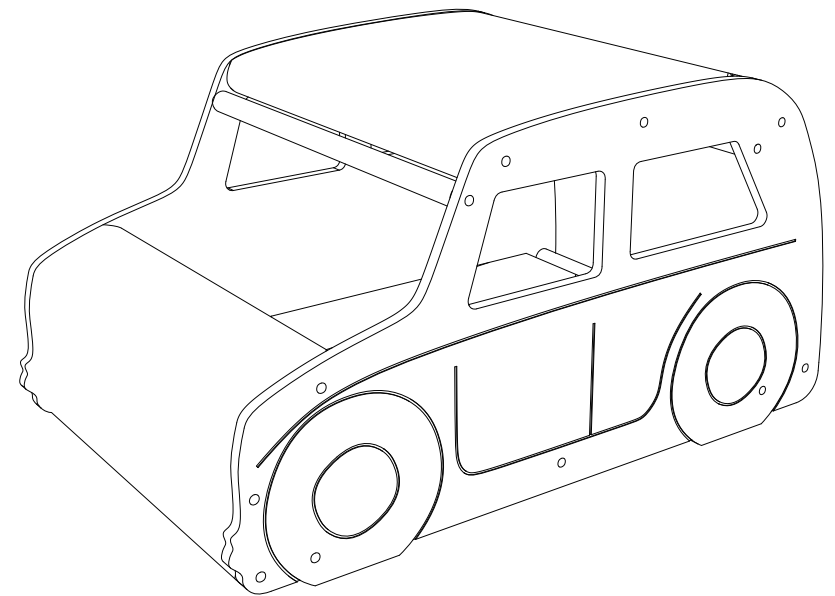


# User Manual



# You need

**1 Tools required**

A Phillips head screwdriver is required for the assembly of this product. (not included)

Power tools should not be used to assemble this product.

**2 1 person is needed**

# PRODUCT ASSEMBLY

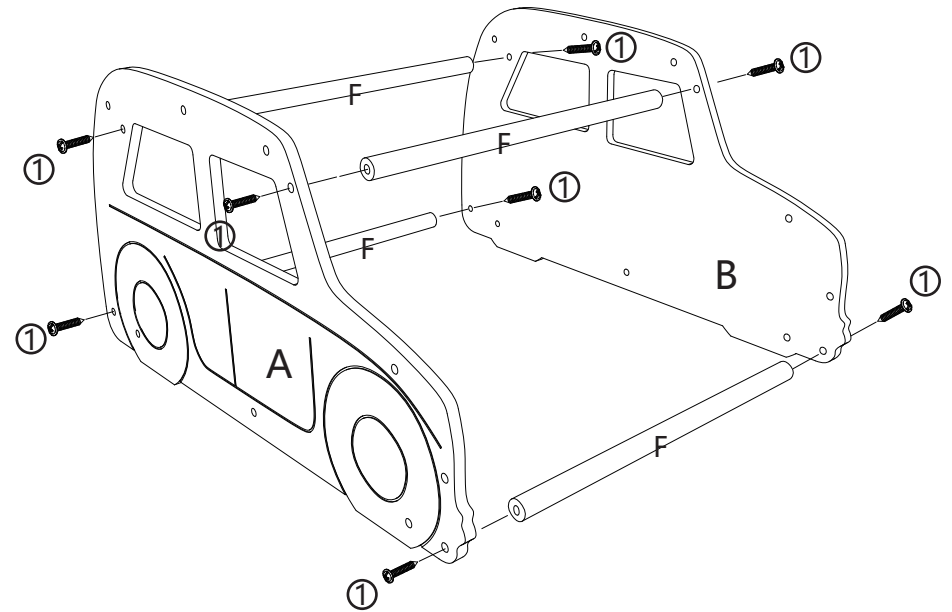
**⚠ Check the package contents before getting started !**

## STEP 1

A	B	F	ST4.2
1PC	1PC	4PCS	8PCS

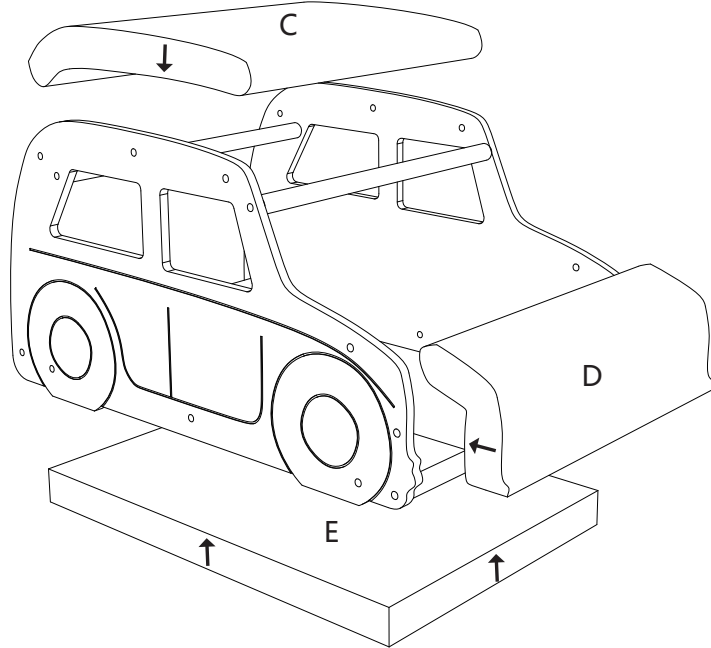
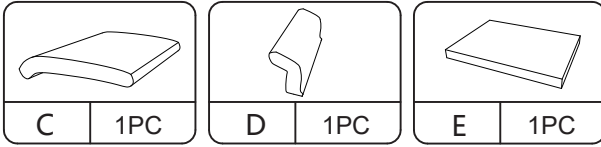
# Hardware List

A	B	C	D
1PC	1PC	1PC	1PC
E	F	ST4.2	2
1PC	4PCS	24PCS	1PC



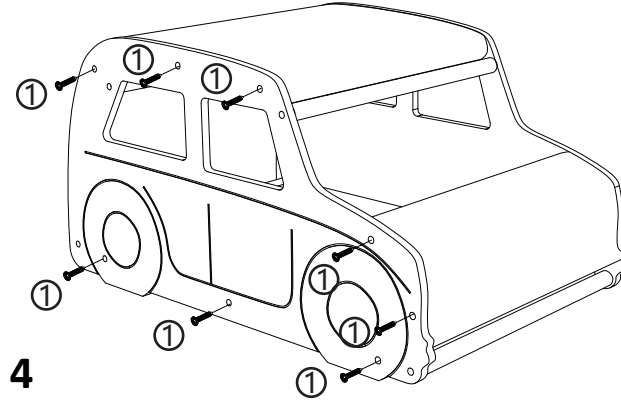
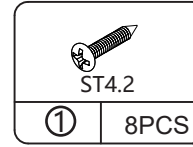
PRODUCT ASSEMBLY

STEP 2



PRODUCT ASSEMBLY

STEP 3



STEP 4

