

# ASSEMBLY INSTRUCTIONS



*Fine Furniture for every stage of life*

**SOFA**

REVISION 0 : 09/08/2025

REVISION 1 : 10/25/2025

REVISION 2 : 11/23/2025

# ASSEMBLY INSTRUCTIONS

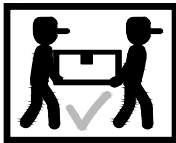
## ASSEMBLY TIPS:

- 1. Remove hardware from box and sort by size.
- 2. Please check to see that all hardware and parts are present prior to start of assembly.
- 3. Please follow attached instructions in the same sequence as numbered to assure fast & easy assembly.



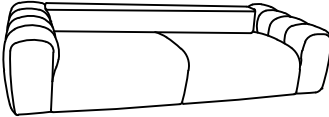
### WARNING !

- 1. Don't attempt to repair or modify parts that are broken or defective. Please contact the store immediately.
- 2. This product is for home use only and not intended for commercial establishments.




**ASSEMBLY TIME 8 MINUTES**

## PARTS IDENTIFICATION

A. SOFA BASE  1PC

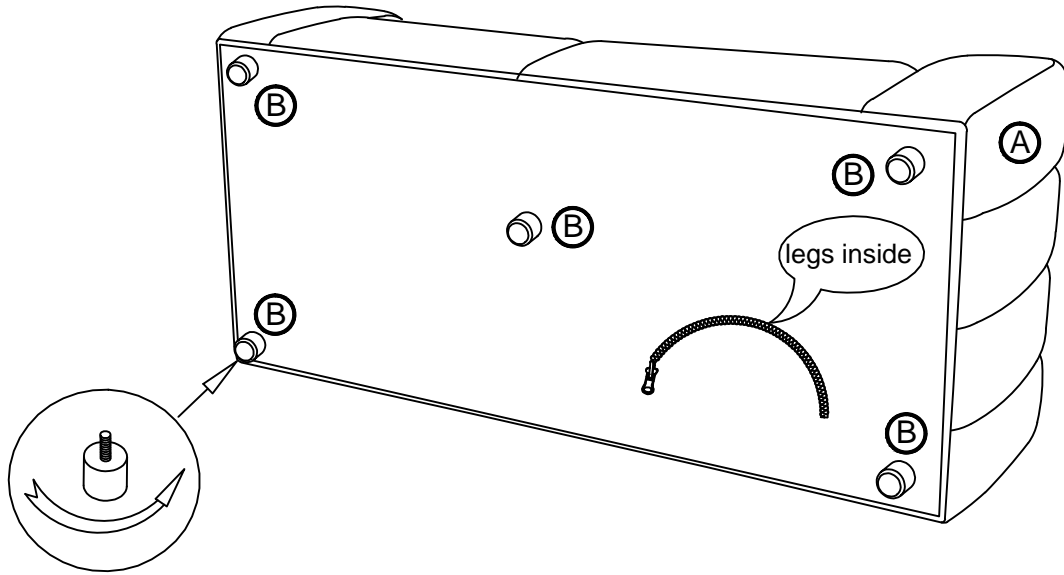
B. LEG  5PCS

C. BACKREST  2PCS

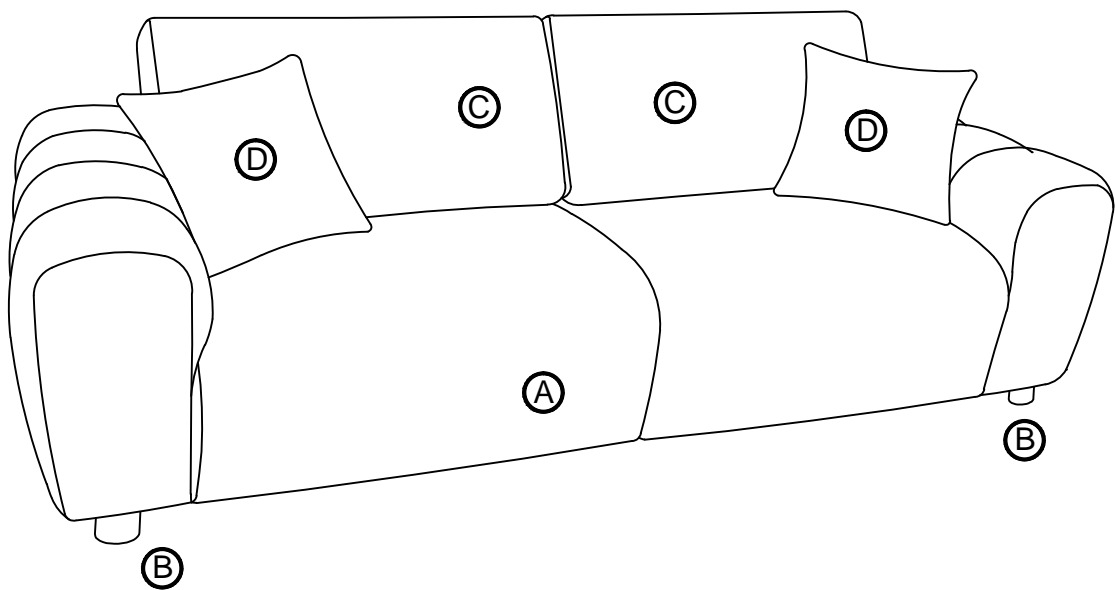
D. PILLOW  2PCS

# ASSEMBLY INSTRUCTIONS

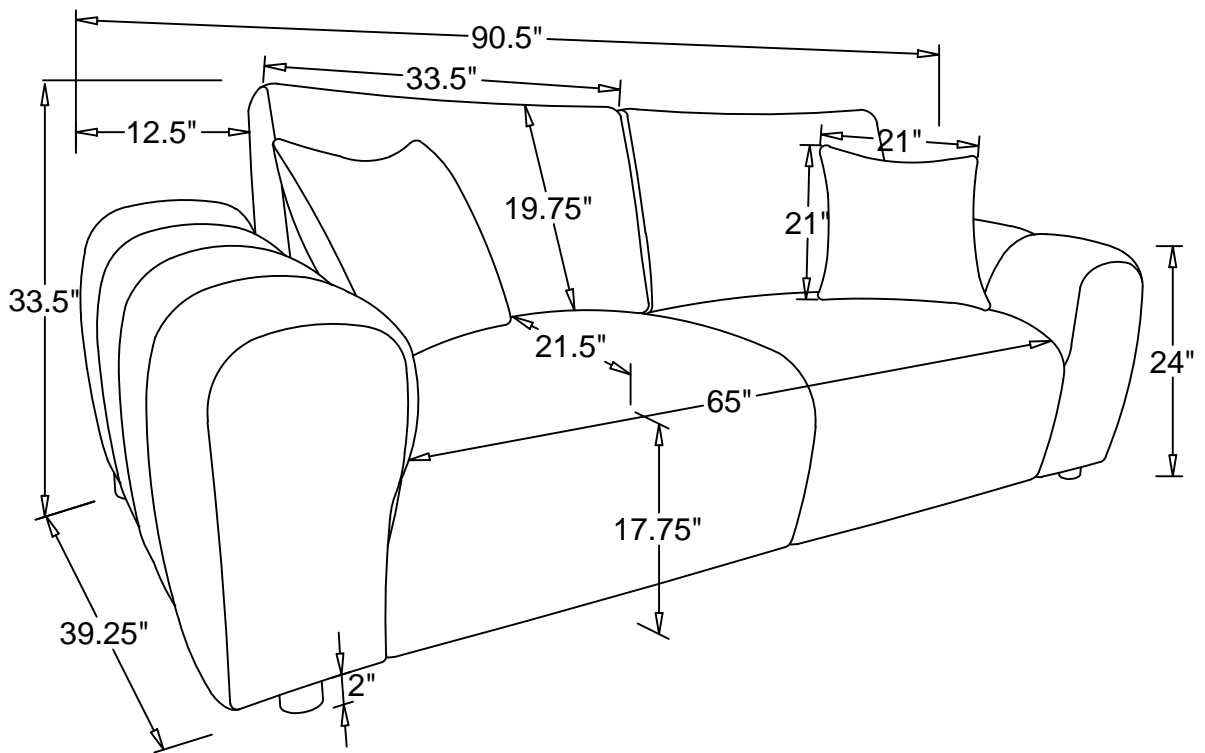
## STEP 1



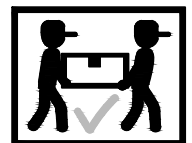
## STEP 2



# ASSEMBLY INSTRUCTIONS



Note: Dimension tolerance  $\pm 5\%$



# *ASSEMBLY INSTRUCTIONS*



*Fine Furniture for every stage of life*

**LOVESEAT**

REVISION 0 : 09/08/2025

REVISION 1 : 10/25/2025

REVISION 2 : 11/23/2025

PAGE 1 OF 4

# ASSEMBLY INSTRUCTIONS

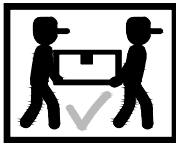
## ASSEMBLY TIPS:

- 1. Remove hardware from box and sort by size.
- 2. Please check to see that all hardware and parts are present prior to start of assembly.
- 3. Please follow attached instructions in the same sequence as numbered to assure fast & easy assembly.



### WARNING !

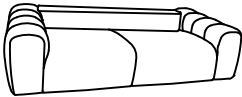
- 1. Don't attempt to repair or modify parts that are broken or defective. Please contact the store immediately.
- 2. This product is for home use only and not intended for commercial establishments.



**ASSEMBLY TIME** **5 MINUTES**

## PARTS IDENTIFICATION

A. LOVESEAT  
BASE



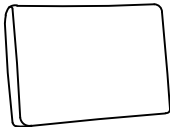
1PC

B. LEG



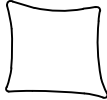
5PCS

C. BACKREST



2PCS

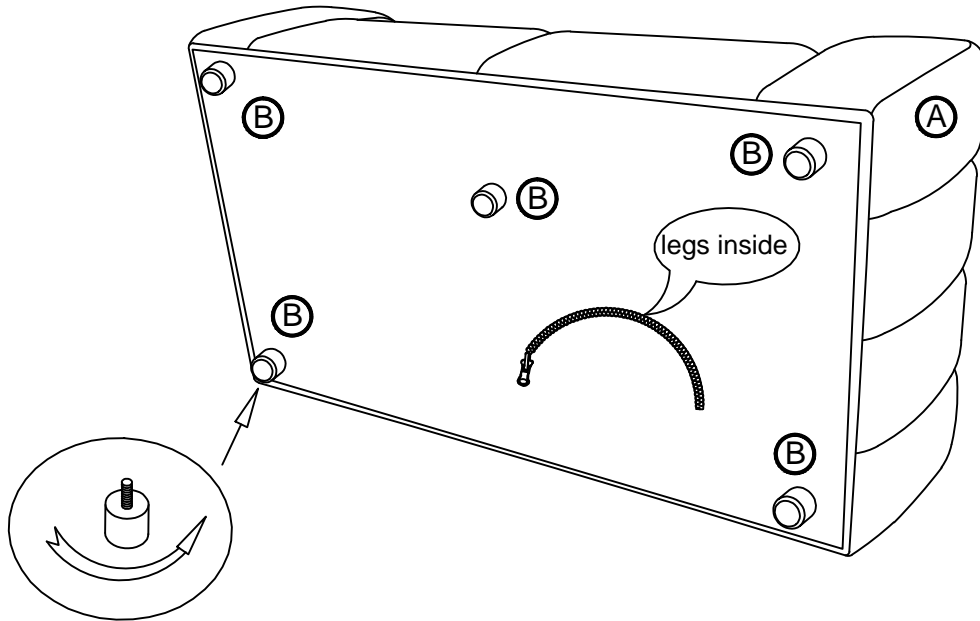
D. PILLOW



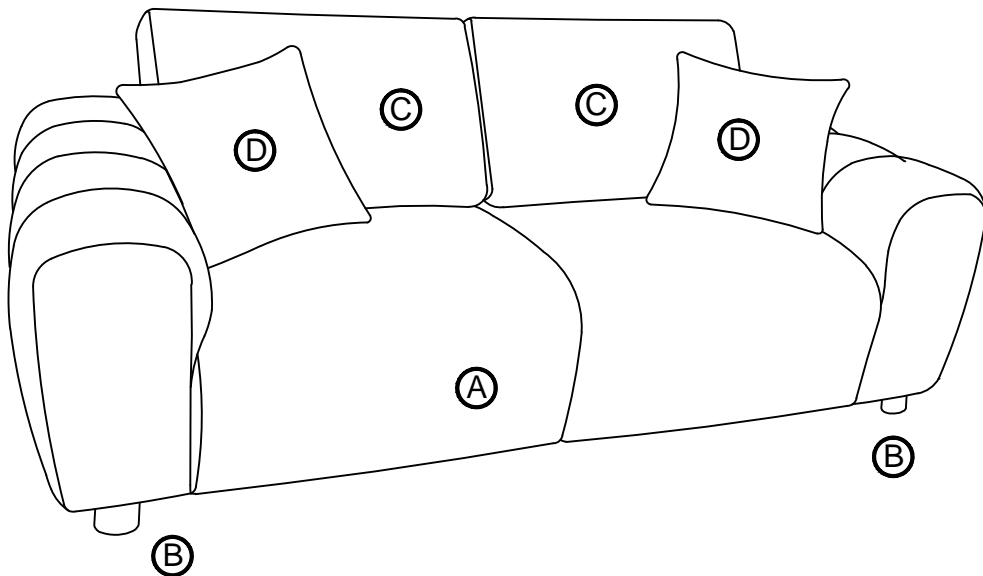
2PCS

# ASSEMBLY INSTRUCTIONS

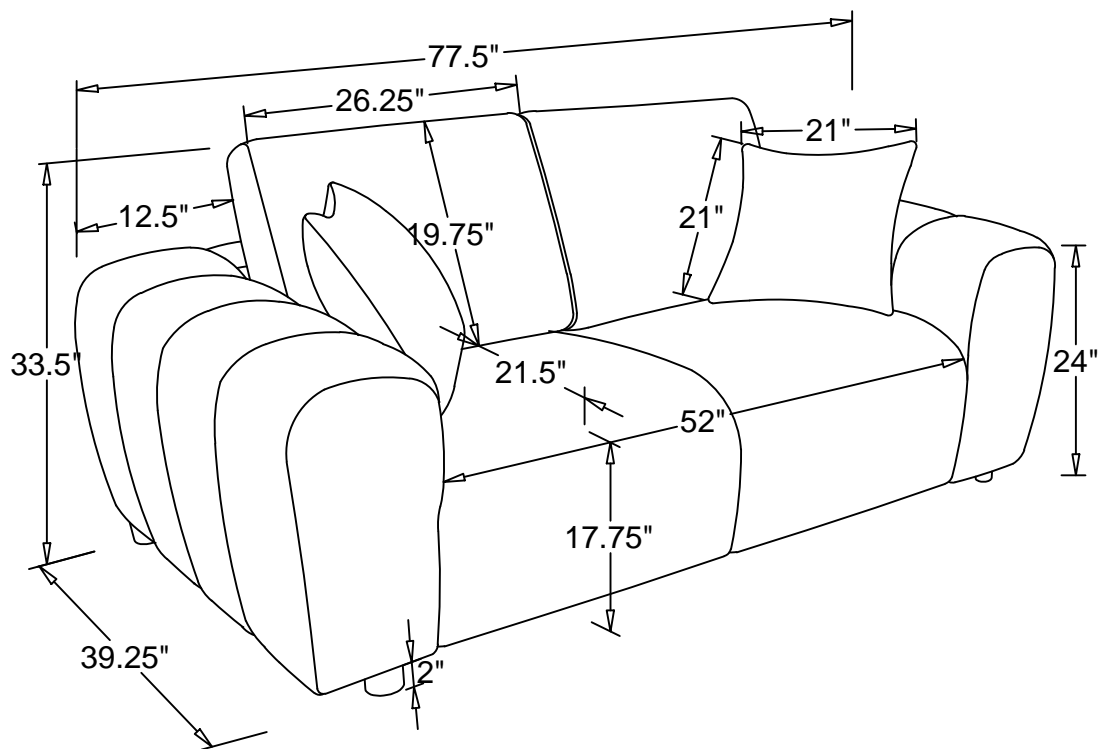
## STEP 1



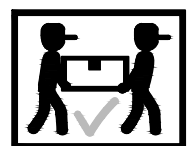
## STEP 2



# ASSEMBLY INSTRUCTIONS



Note: Dimension tolerance  $\pm 5\%$



# *ASSEMBLY INSTRUCTIONS*



*Fine Furniture for every stage of life*

**ACCENT CHAIR**

REVISION 0 : 09/08/2025

PAGE 1 OF 4

# ASSEMBLY INSTRUCTIONS

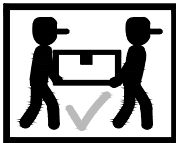
## ASSEMBLY TIPS:

- 1. Remove hardware from box and sort by size.
- 2. Please check to see that all hardware and parts are present prior to start of assembly.
- 3. Please follow attached instructions in the same sequence as numbered to assure fast & easy assembly.



### WARNING !

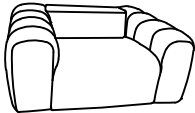
- 1. Don't attempt to repair or modify parts that are broken or defective. Please contact the store immediately.
- 2. This product is for home use only and not intended for commercial establishments.



**ASSEMBLY TIME 5 MINUTES**

## PARTS IDENTIFICATION

A. CHAIR BASE



1PC

B. LEG



4PCS

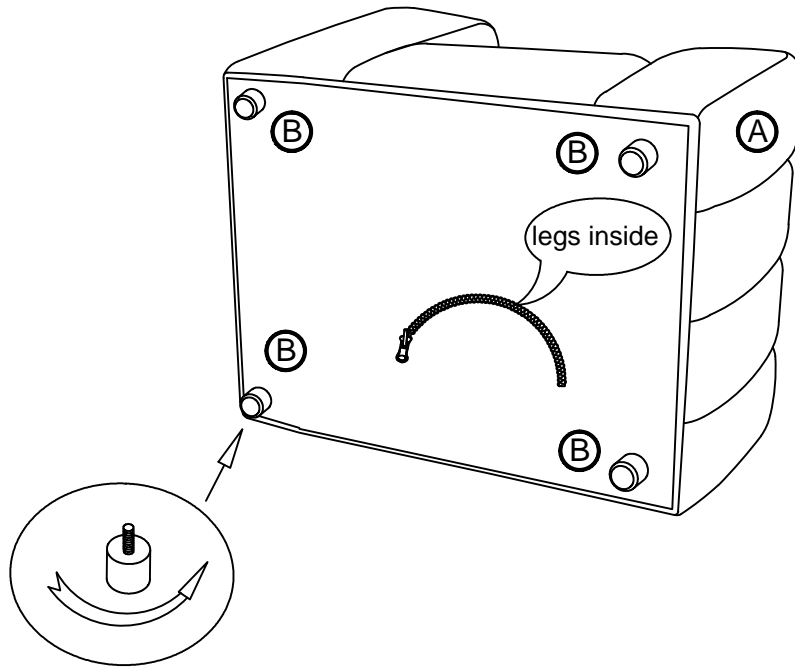
C. BACKREST



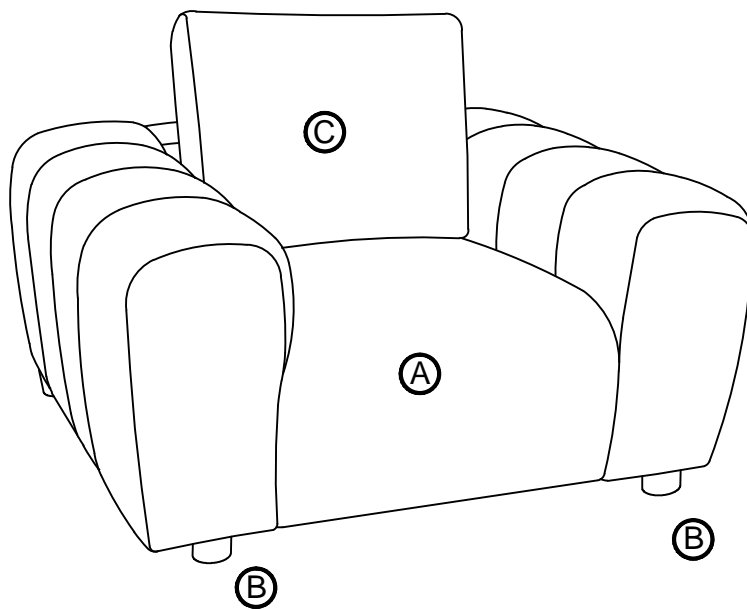
1PC

# ASSEMBLY INSTRUCTIONS

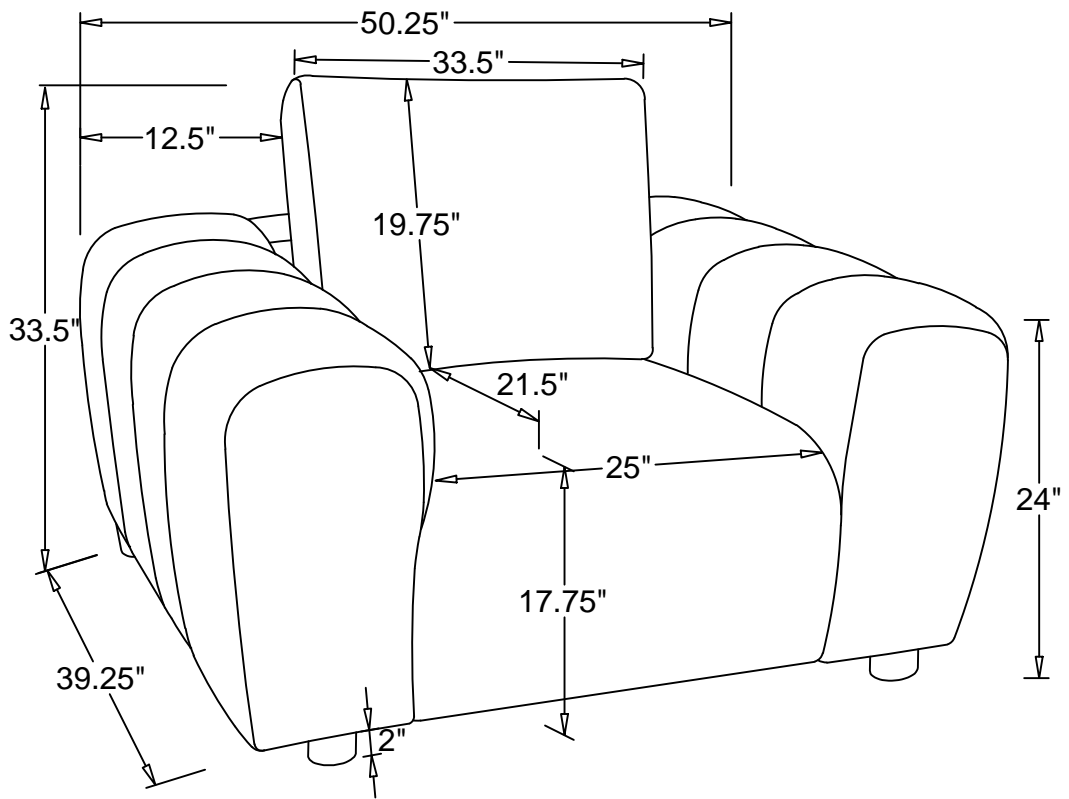
## STEP 1



## STEP 2



# ASSEMBLY INSTRUCTIONS



Note: Dimension tolerance  $\pm 5\%$

