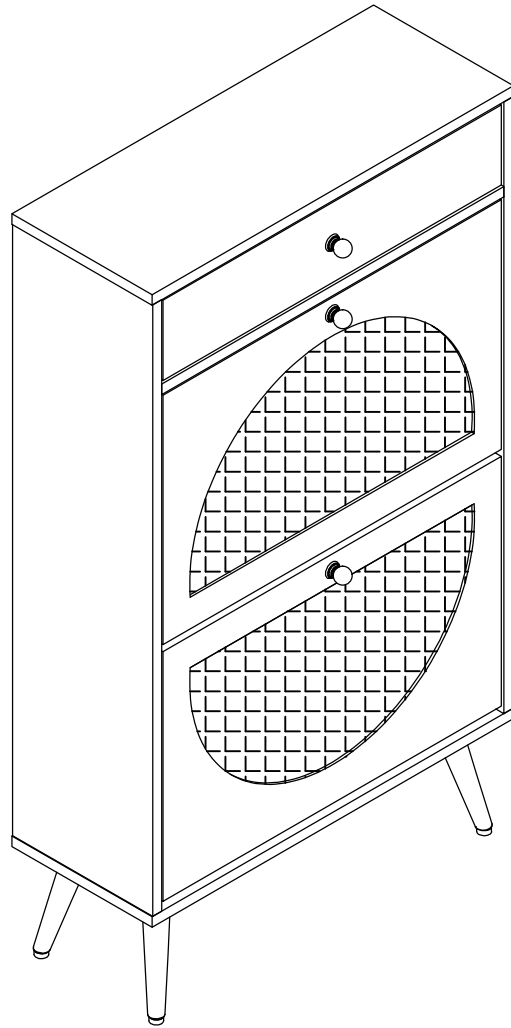


# Instruction Manual

## Shoe Cabinet



# Notes:

## 1. ASSEMBLY PREPARATION AND TIPS FOR ASSEMBLY

- 1). Remove all packaging materials, staples and packing straps from the carton.
- 2). Refer to Parts List and Hardware List, and ensure parts and hardware are correct before assembly.  
Contact customer service for missing parts.
- 3). Place all wooden parts on a clean, flat and soft surface (e.g. carpet or rug) to prevent scratch and damage to parts.
- 4). Allow ample room for assembly and assemble the product near where the product will be placed.
- 5). During assembly, do not over-tighten any fittings as this may cause damage.
- 6). Always place the product on a flat, level surface.

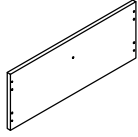
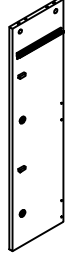

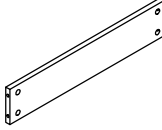
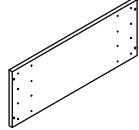
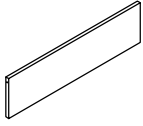
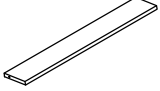
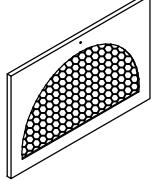
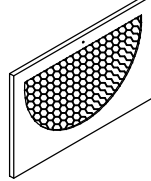
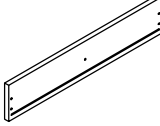
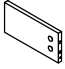
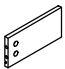
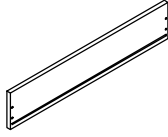
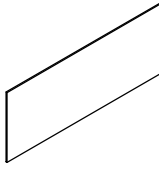
## 2. CARE AND MAINTENANCE

- 1). KEEP ALL HARDWARE PARTS OUT OF REACH OF CHILDREN.
- 2). Wipe clean with a soft, dry cloth; avoid the use of harsh chemicals or household cleaners as they may damage the exterior finish of the furniture.
- 3). Hardware may loosen over time. Periodically, check that all connections are tight; re-tighten as necessary.

## 3. TIPS TO PROTECT & CARE FOR YOUR FURNITURE

- 1). Avoid placing your furniture in direct sunlight, as sunlight causes fading.
- 2). Use a protective pad when writing on the furniture surface.
- 3). Use cutting boards and trivets for food preparation in order to avoid damaging the top for the unit.

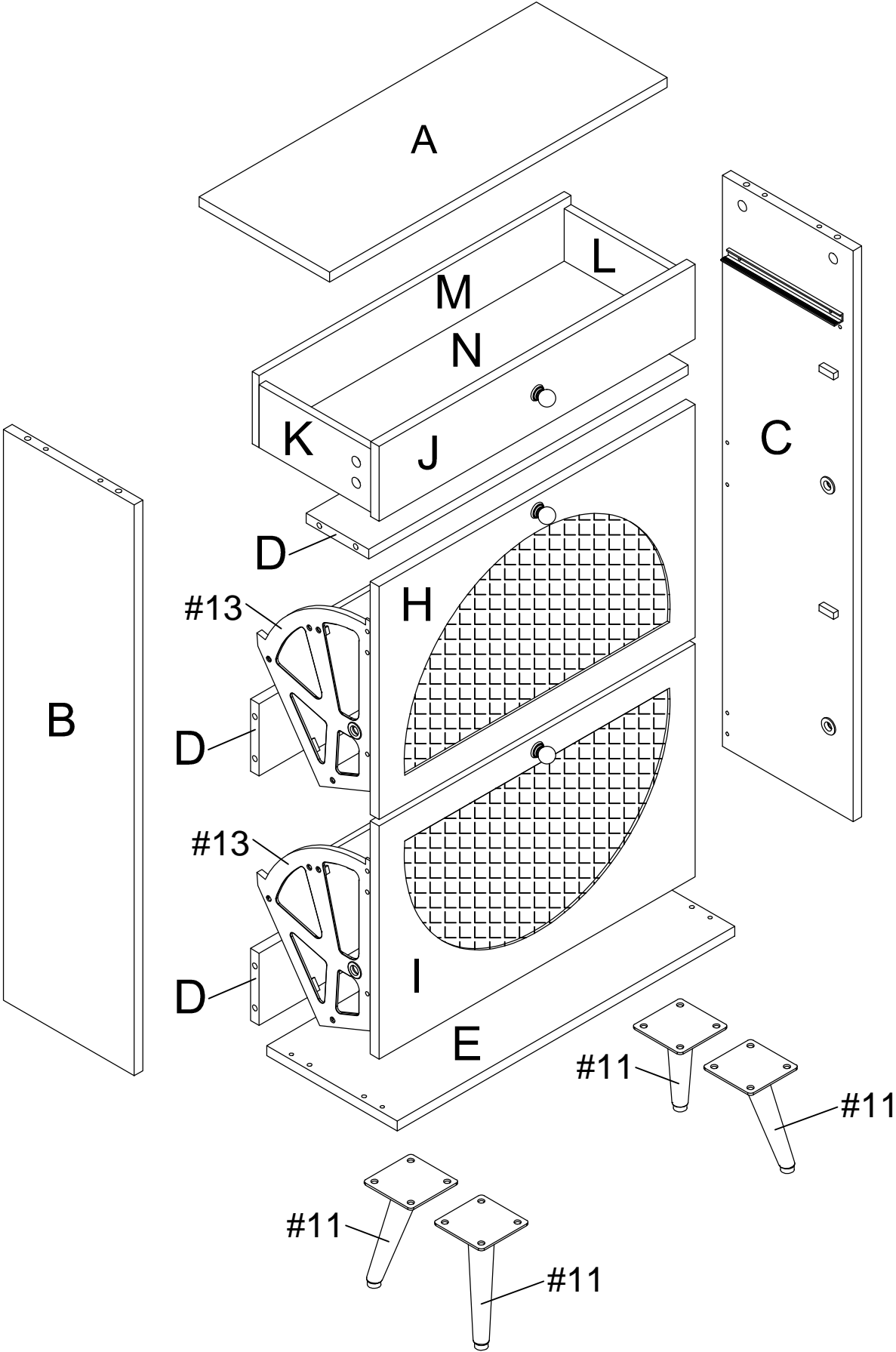
# PART LIST

<b>A</b> 	<b>B</b> 	<b>C</b> 	<b>D</b> 	<b>E</b> 
Top Panel 1 PC	Left Panel 1 PC	Right Panel 1 PC	Front / Back Rail 3 PCS	Bottom Panel 1 PC
<b>F</b> 	<b>G</b> 	<b>H</b> 	<b>I</b> 	<b>J</b> 
Cross Slab A 4PCS	Cross Slab B 2PCS	Up Flap 1 PC	Down Flap 1 PC	Drawer Front Panel 1 PC
<b>K</b> 	<b>L</b> 	<b>M</b> 	<b>N</b> 	
Drawer Left Panel 1 PC	Drawer Right Panel 1 PC	Drawer Back Panel 1 PC	Drawer Bottom Panel 1 PC	

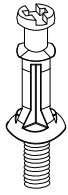
# HARDWARE LIST

<p><b>#1</b></p>  <p>Ø5*40mm</p>	<p><b>#2</b></p>  <p>Ø6*30mm</p>	<p><b>#3</b></p>  <p>Ø4.5*12mm</p>	<p><b>#4</b></p>  <p>Ø6*35mm</p>	<p><b>#5</b></p>  <p>Ø15*9mm</p>
<p>Screw</p> <p>4 PCS (Extra 1)</p>	<p>Wood Dowel</p> <p>8PCS (Extra 2)</p>	<p>Screw</p> <p>16 PCS (Extra 2)</p>	<p>Cam-bolt</p> <p>20PCS (Extra 3)</p>	<p>Cam-lock</p> <p>20PCS(Extra 3)</p>
<p><b>#6</b></p>  <p>Ø22*27mm</p>	<p><b>#7</b></p>  <p>M4*22mm</p>	<p><b>#8</b></p>  <p>Ø3.5*30mm</p>	<p><b>#9</b></p>  <p>Ø3.5*15mm</p>	<p><b>#10</b></p>  <p>M5*18mm</p>
<p>Handle</p> <p>3 PCS</p>	<p>Round Head Bolt</p> <p>3 PCS</p>	<p>Screw</p> <p>4PCS (Extra 1)</p>	<p>Screw</p> <p>28PCS (Extra 4)</p>	<p>Round Screw</p> <p>1 PC</p>
<p><b>#11</b></p> 	<p><b>#12</b></p> 	<p><b>#13</b></p> 	<p><b>#14</b></p> 	<p><b>#15</b></p> 
<p>Leg</p> <p>4 PCS</p>	<p>Rotation Shaft</p> <p>4PCS</p>	<p>Flip Frame-L</p> <p>2 PCS</p>	<p>Flip Frame-R</p> <p>2 PCS</p>	<p>Safety Strap Kit</p> <p>2 SET</p>
 <p>Phillips Screwdriver</p> <p>1 PC</p>				

# ASSEMBLY OVERVIEW



# Instructions For Fastening CAM-BOLT and CAM-LOCK

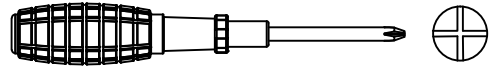


CAM-BOLT

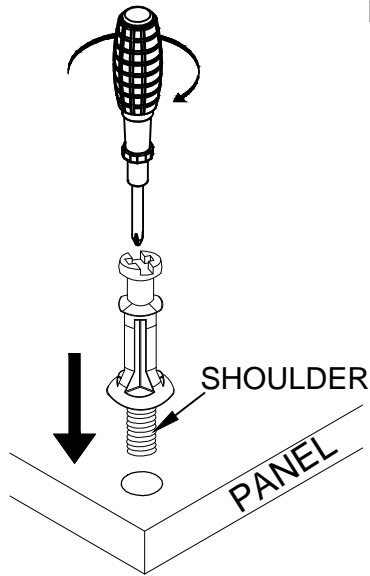


CAM-LOCK

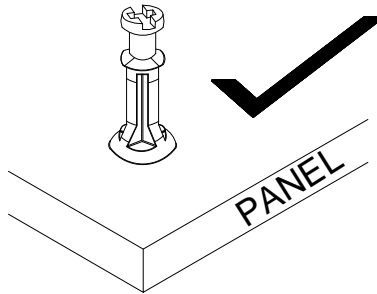
Tools Required



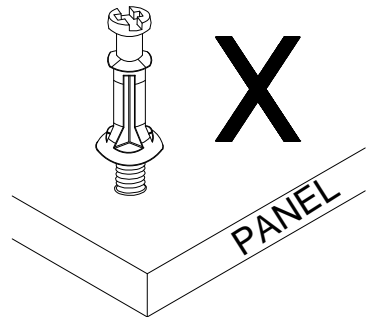
## INSERTING AND TIGHTENING CAM-BOLT



Place Cam-bolt on pre-drilled hole and screw in vertically



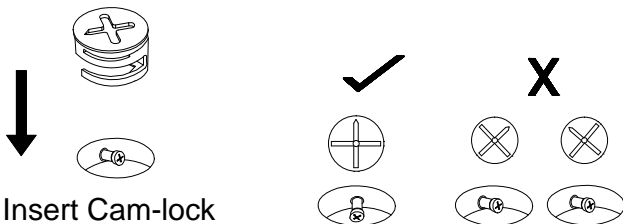
Shoulder is flushed (on the same level) with the panel.



Shoulder is above the panel.

Place Cam-bolt on the designated pre-drilled holes on the panel. Use a Phillips Screwdriver to screw-in Cam-bolt vertically until shoulder is flushed (on the same level) with panel.

## INSERTING CAM-LOCK



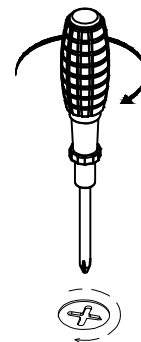
Insert Cam-lock with arrow align to Cam-bolt head

CORRECT

WRONG

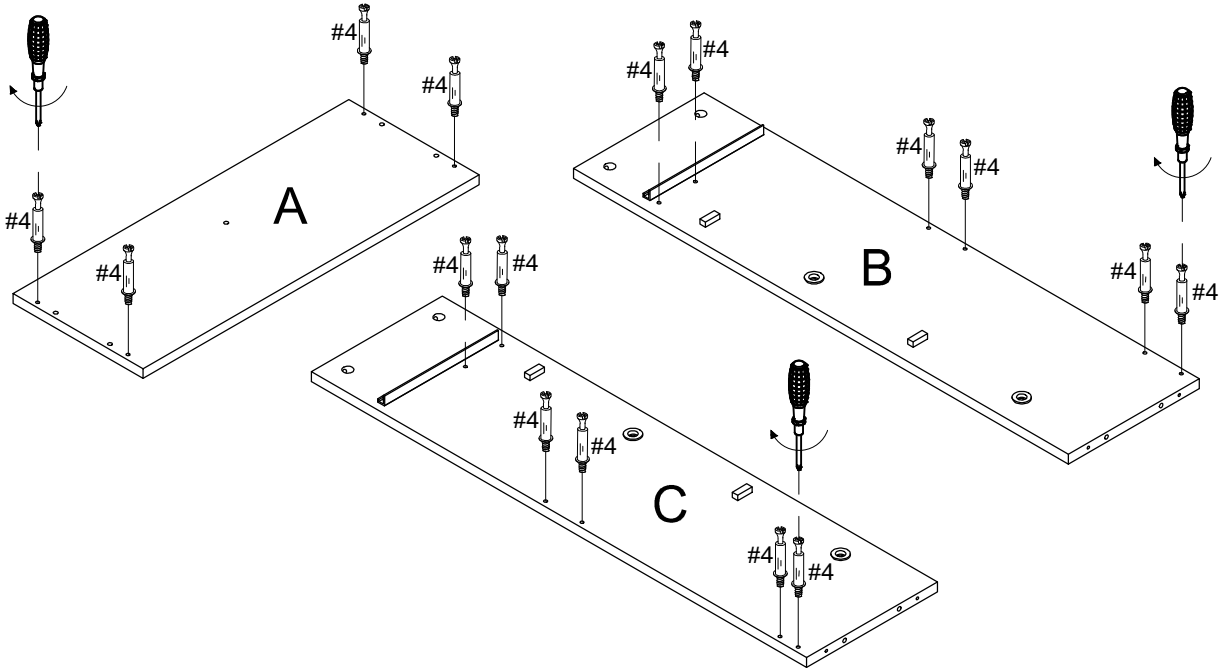
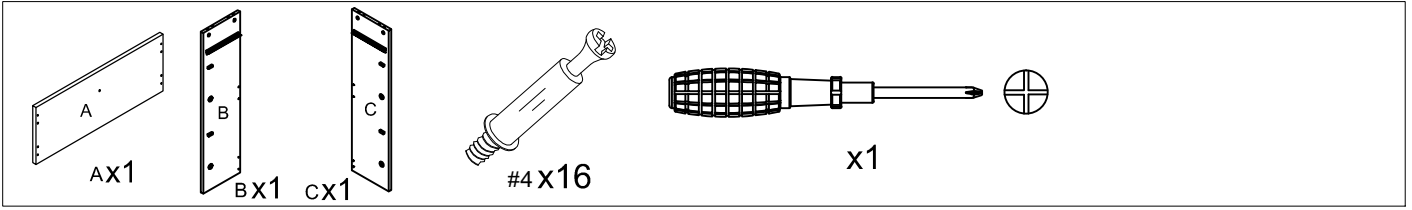
Align the arrow on the Cam-lock to the Cam-bolt head and insert the Cam-lock. Ensure Cam-lock is fully inserted.

## TIGHTENING CAM-LOCK

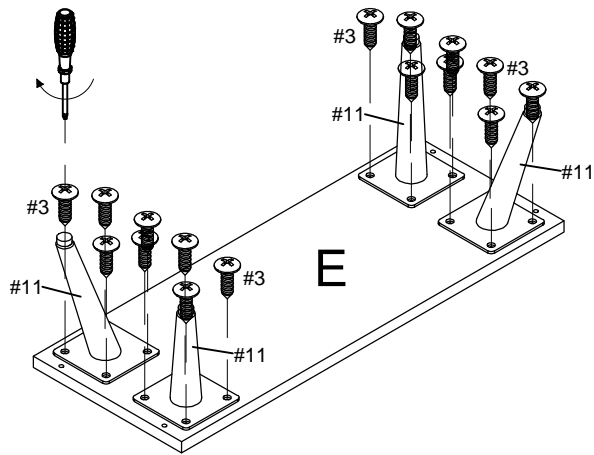
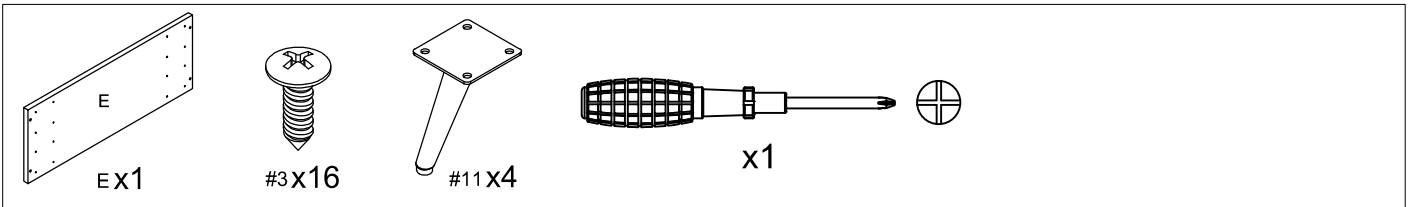


Use a Flat-head Screwdriver to turn Camlock clockwise so it locks onto the head of the Cam-bolt. Turn until it is snug (about 3/4ths of a turn) -- over-tightening could damage Cam-lock or/and Cam-bolt.

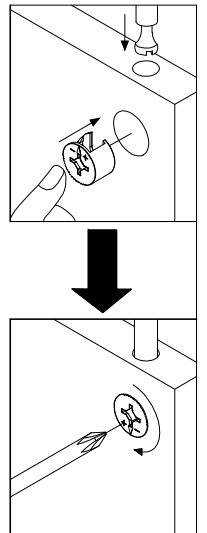
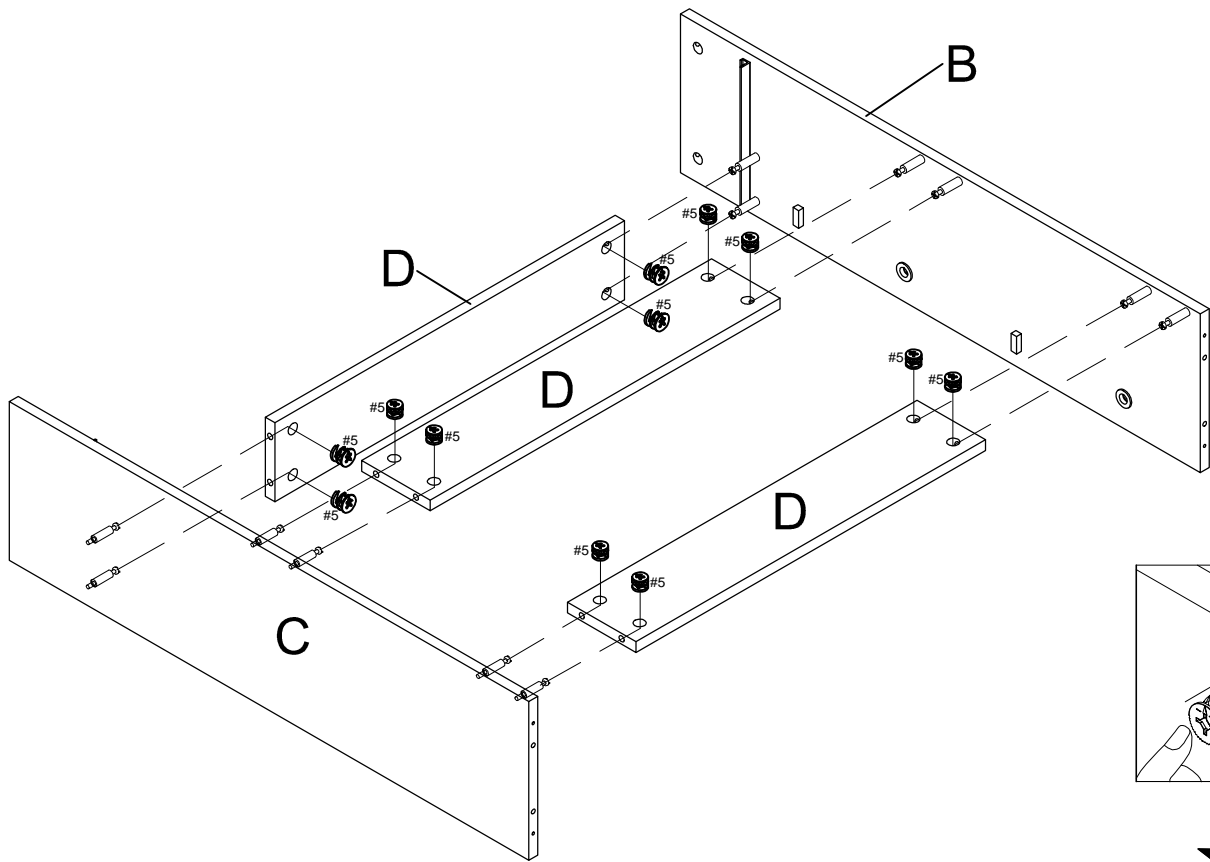
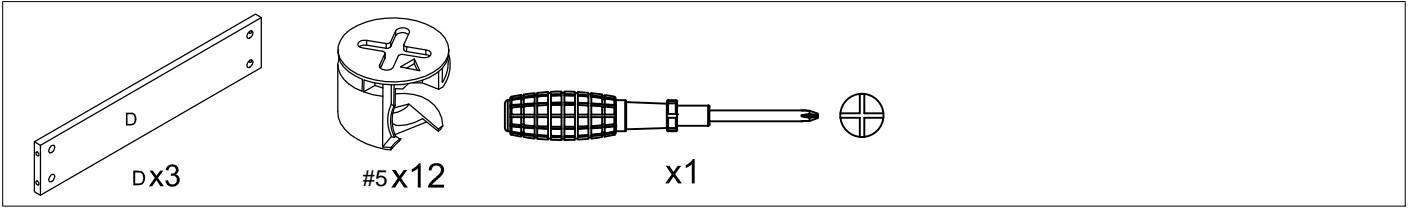
### Step 1.



### Step 2.



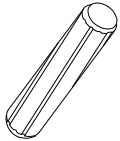
Step 3.



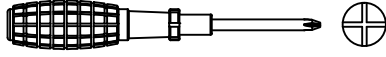
Step 4.



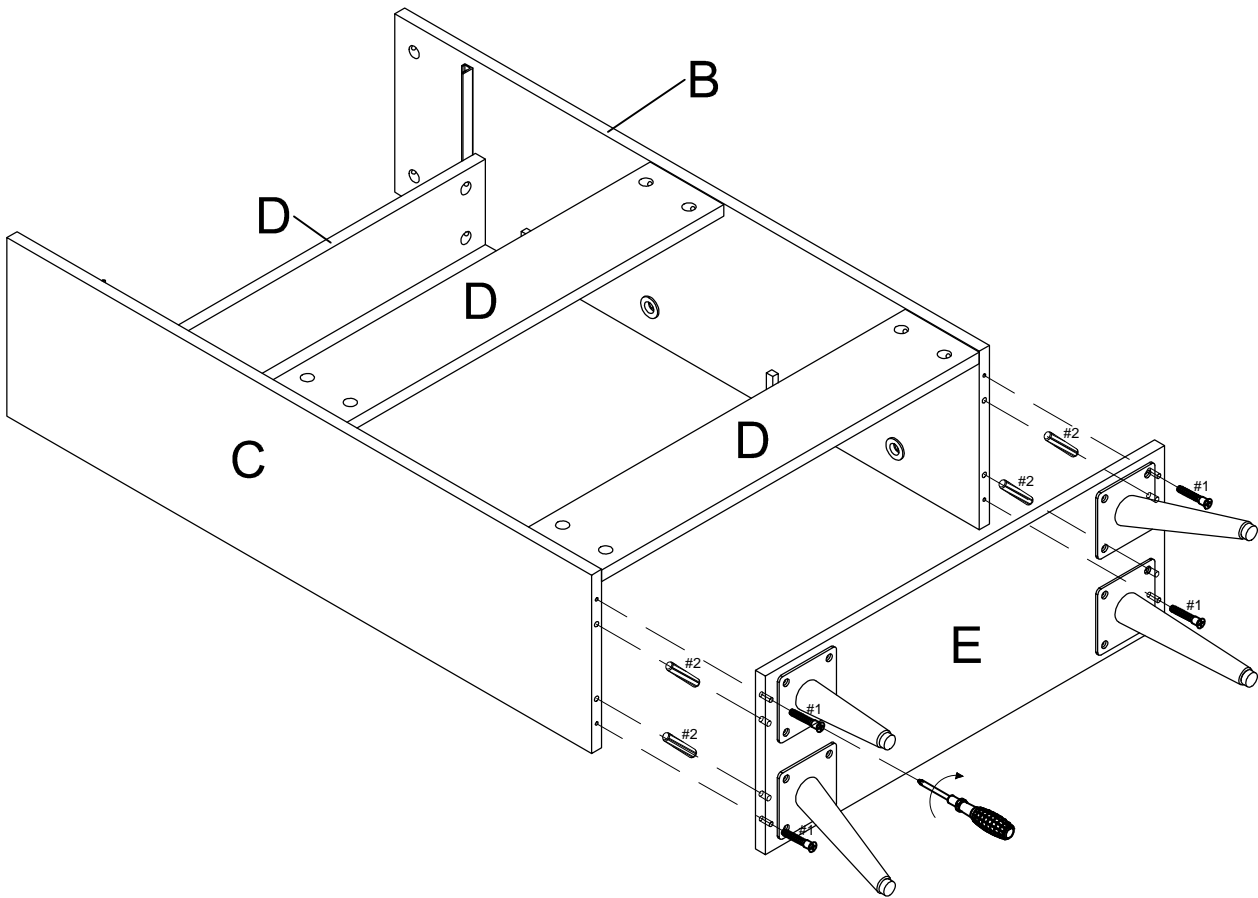
#1 x4



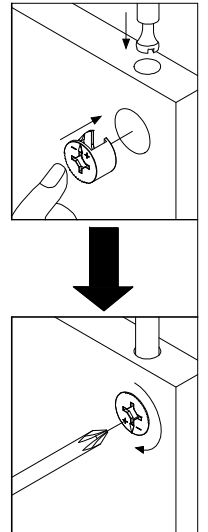
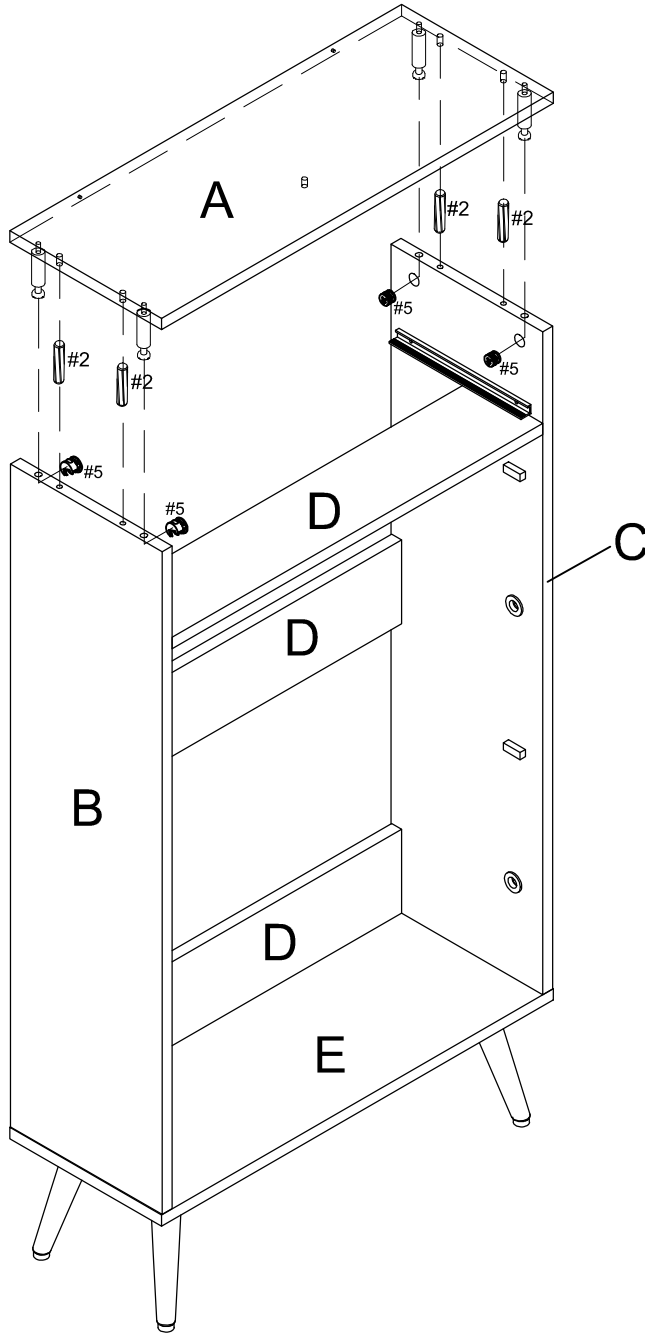
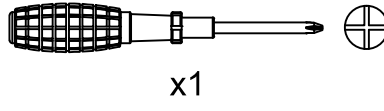
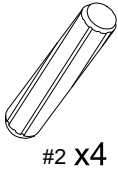
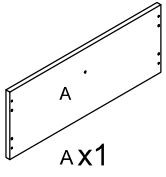
#2 x4



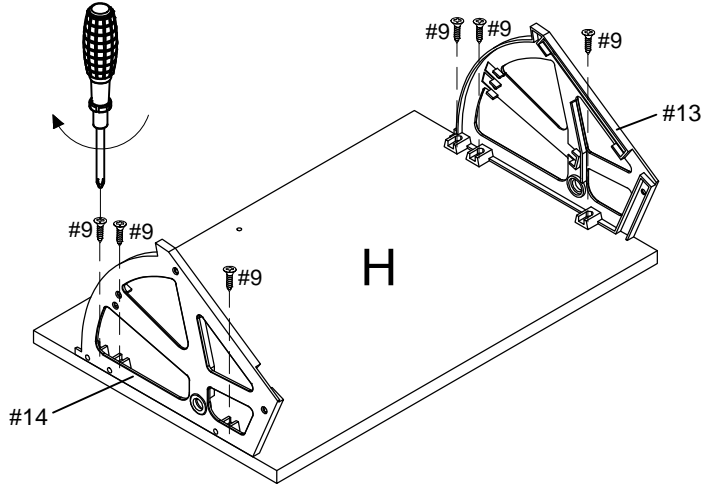
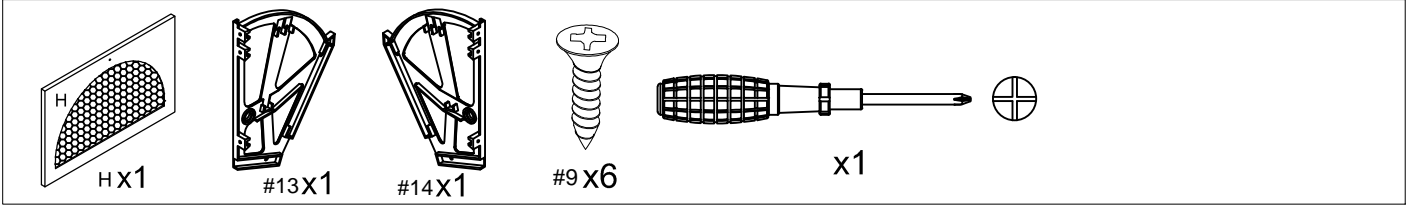
x1



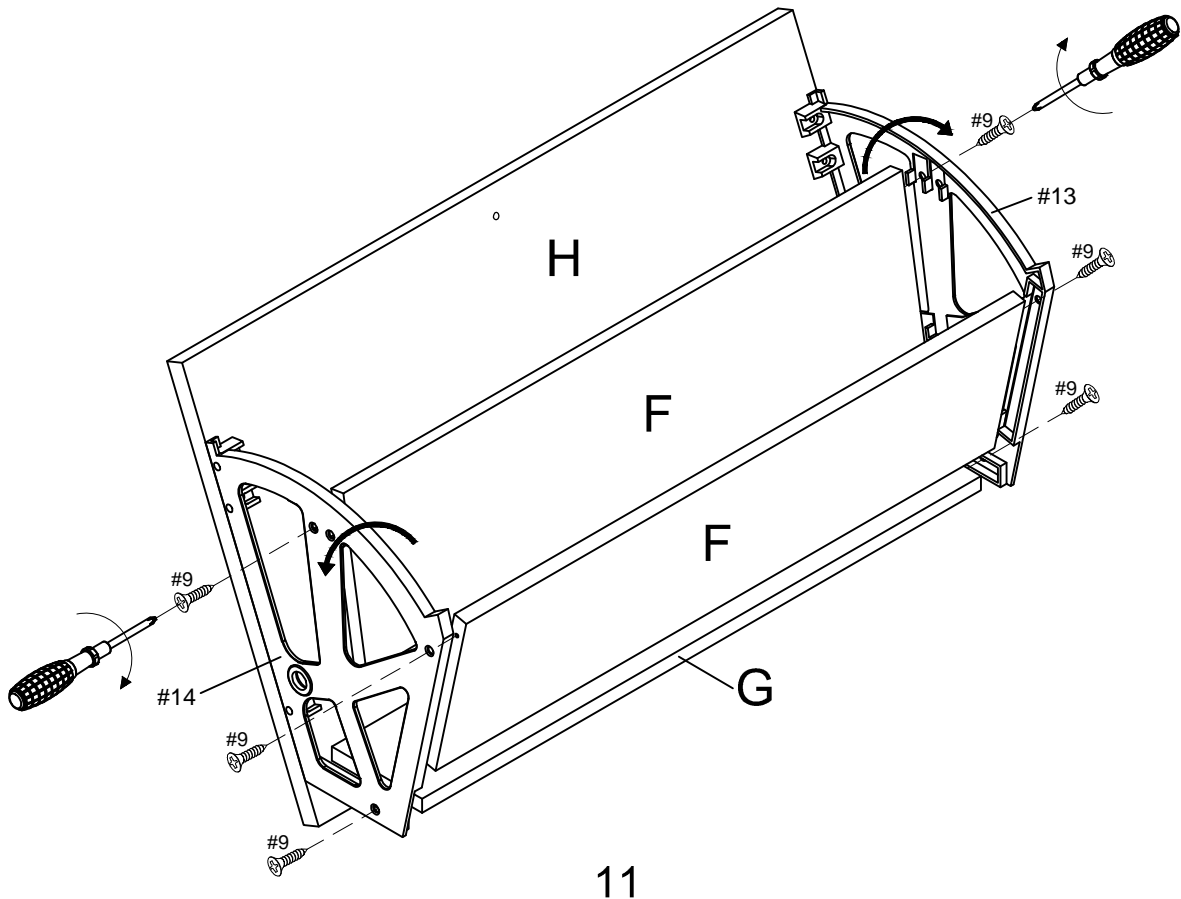
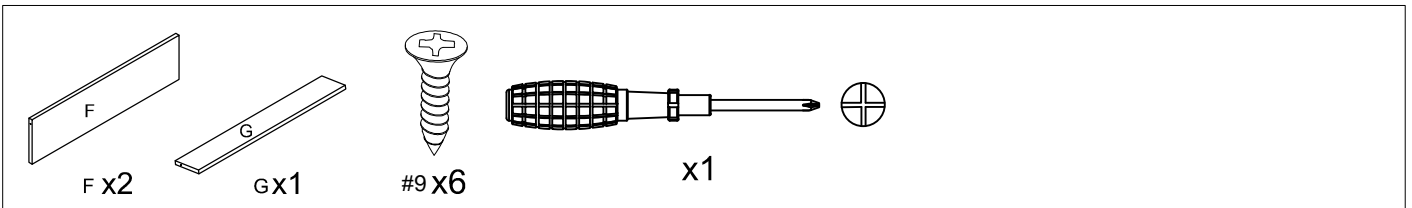
Step 5.



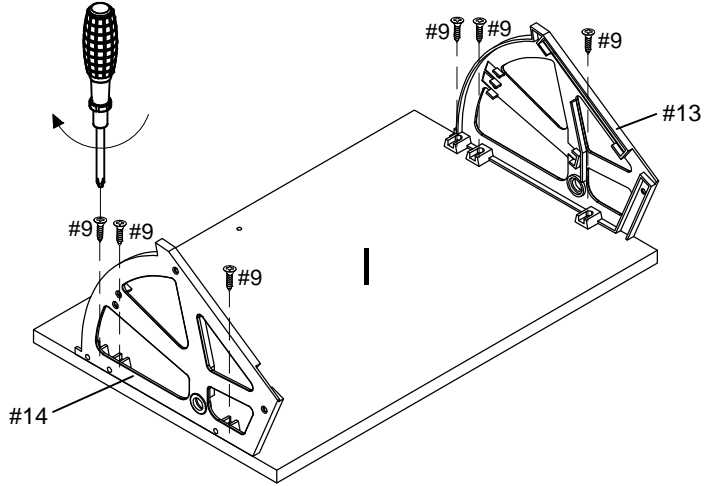
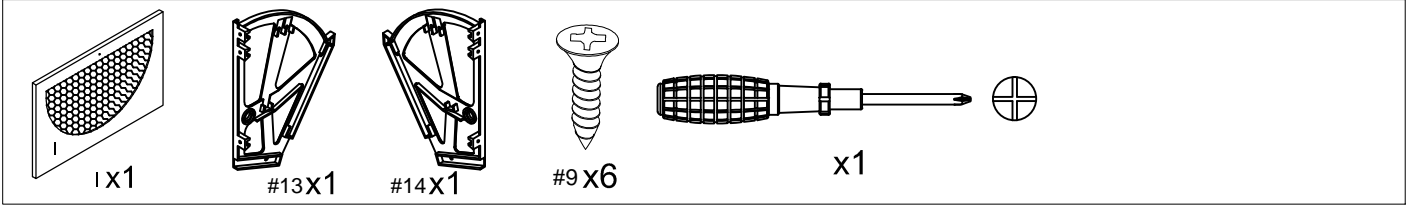
### Step 6.



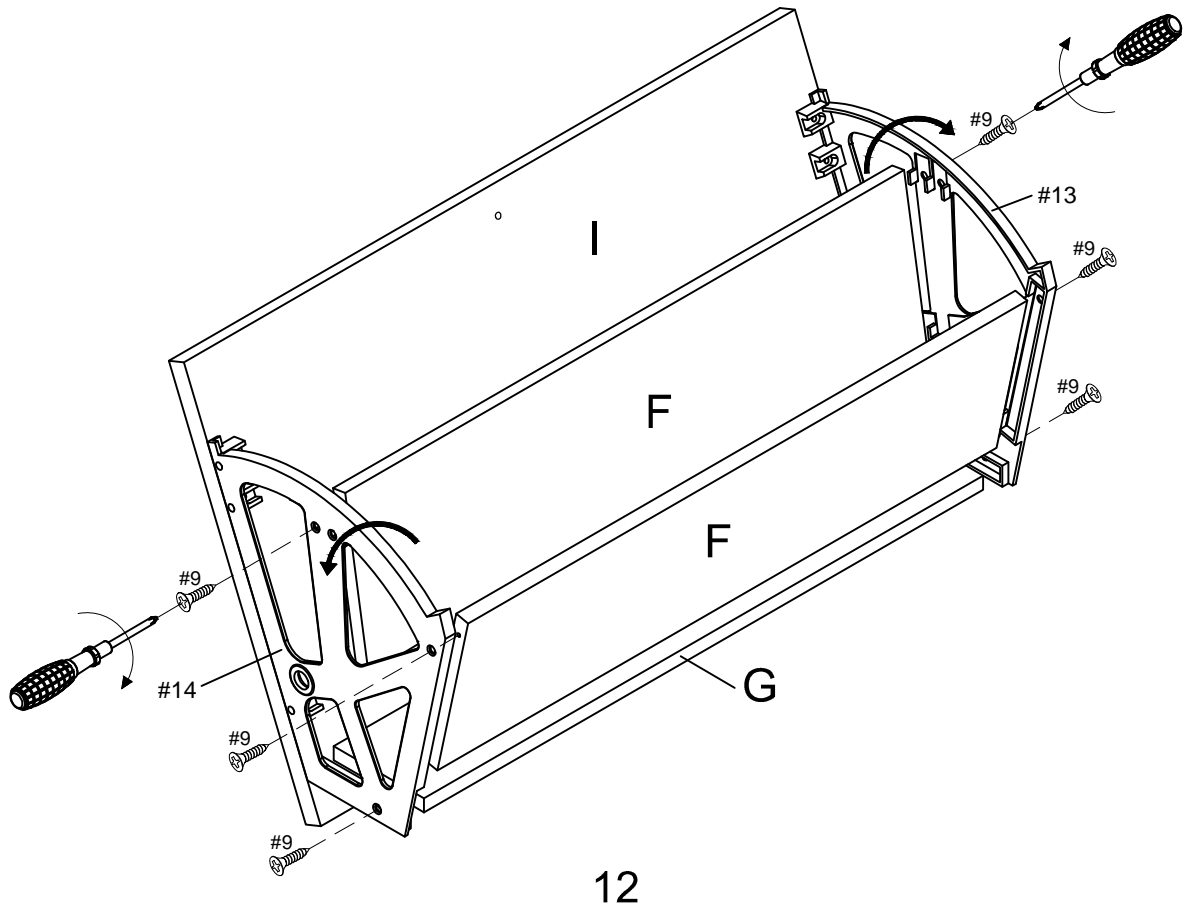
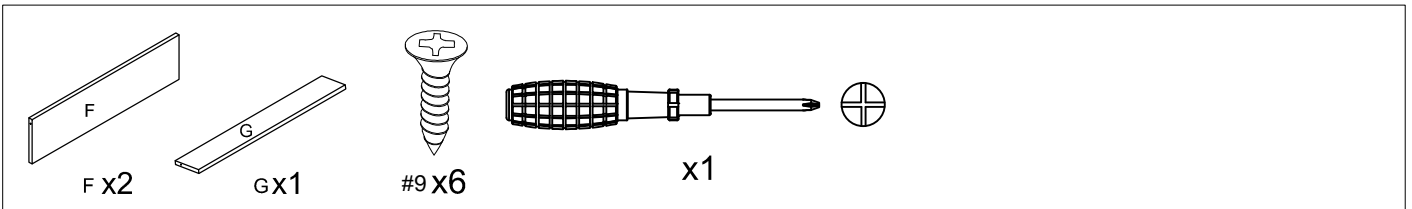
### Step 7.



### Step 8.



### Step 9.



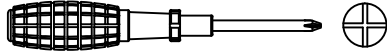
Step 10.



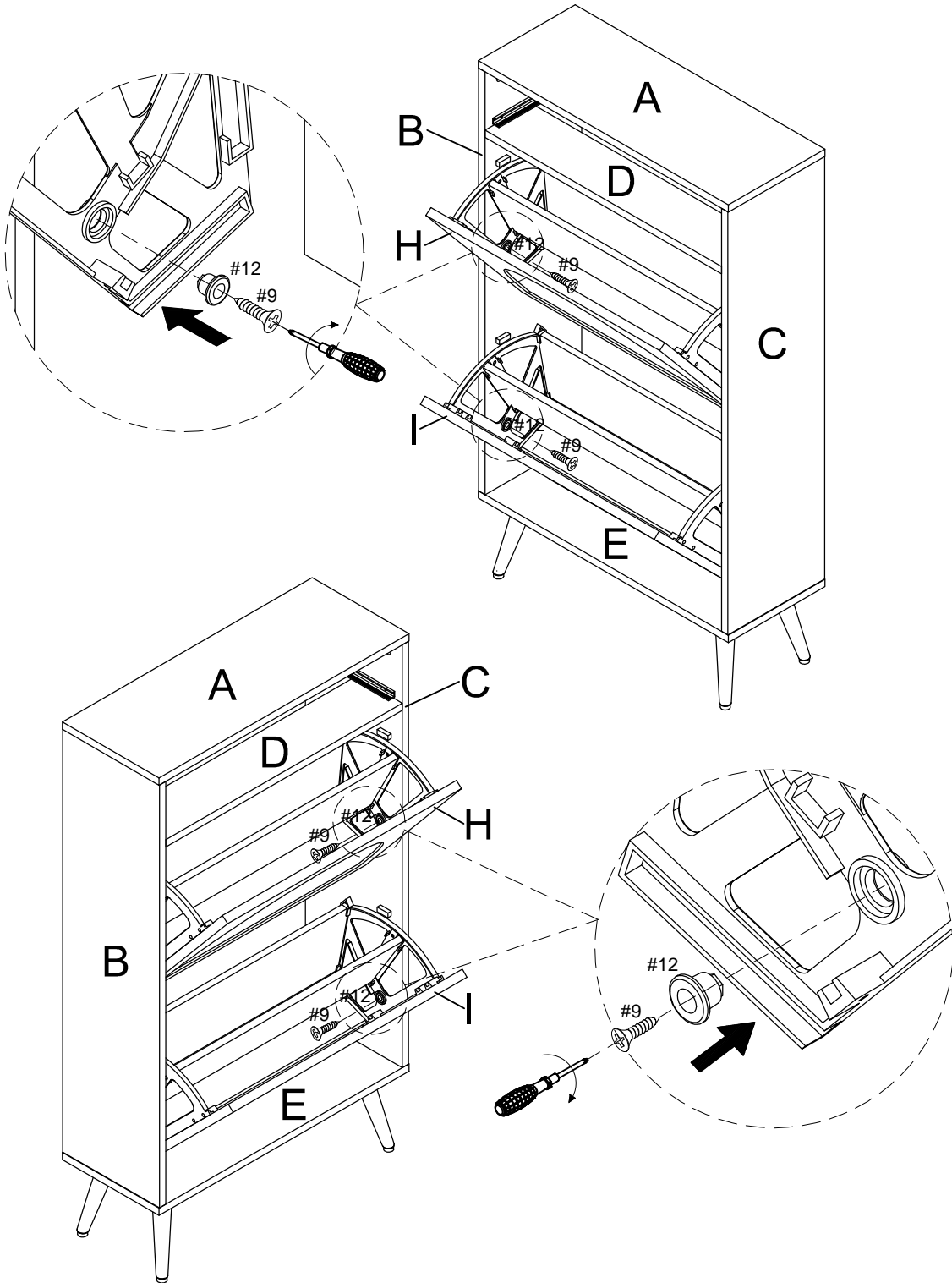
#9 x4



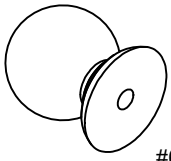
#12 x4



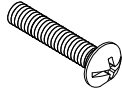
x1



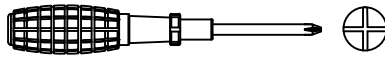
Step 11.



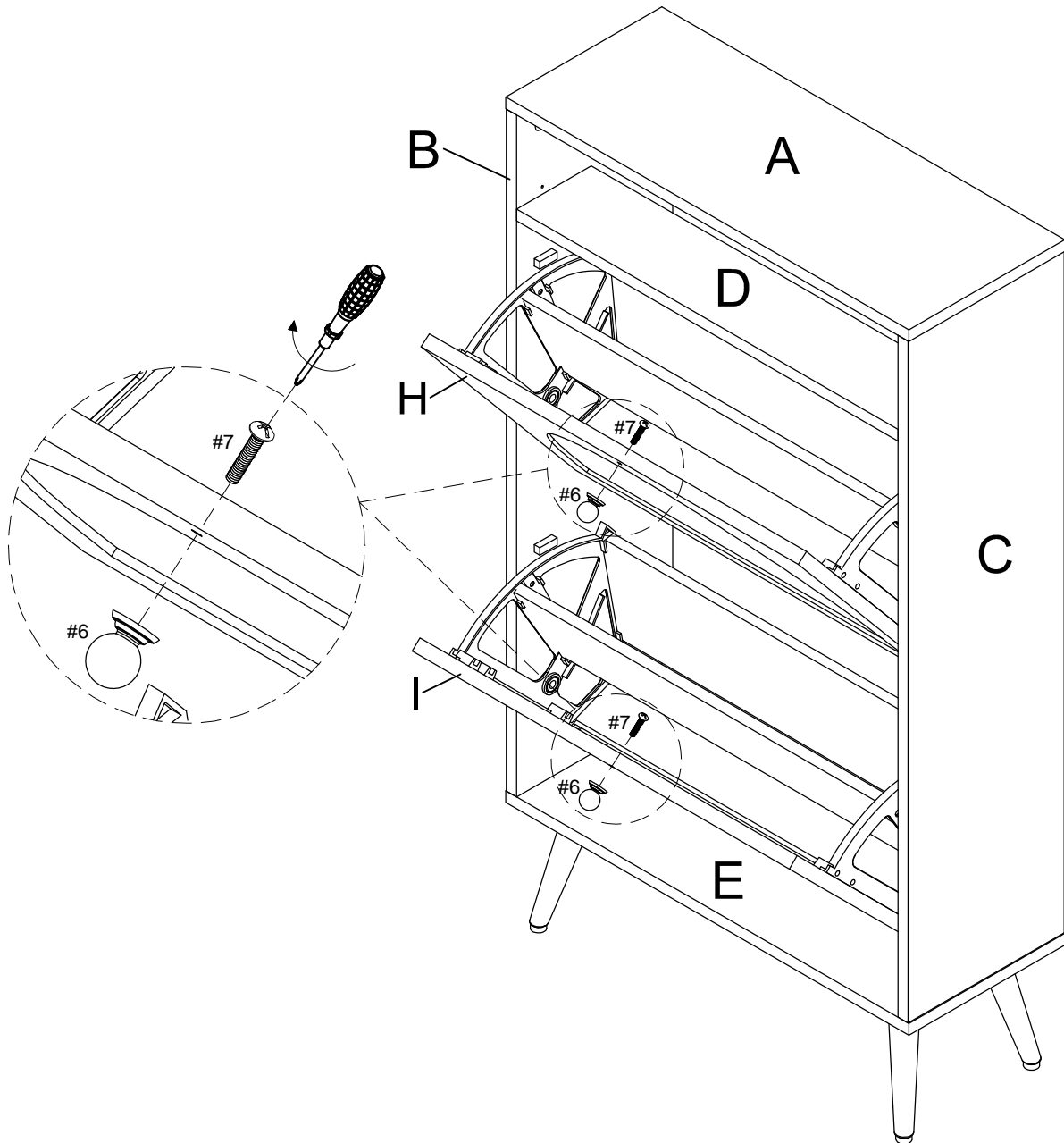
#6 x2



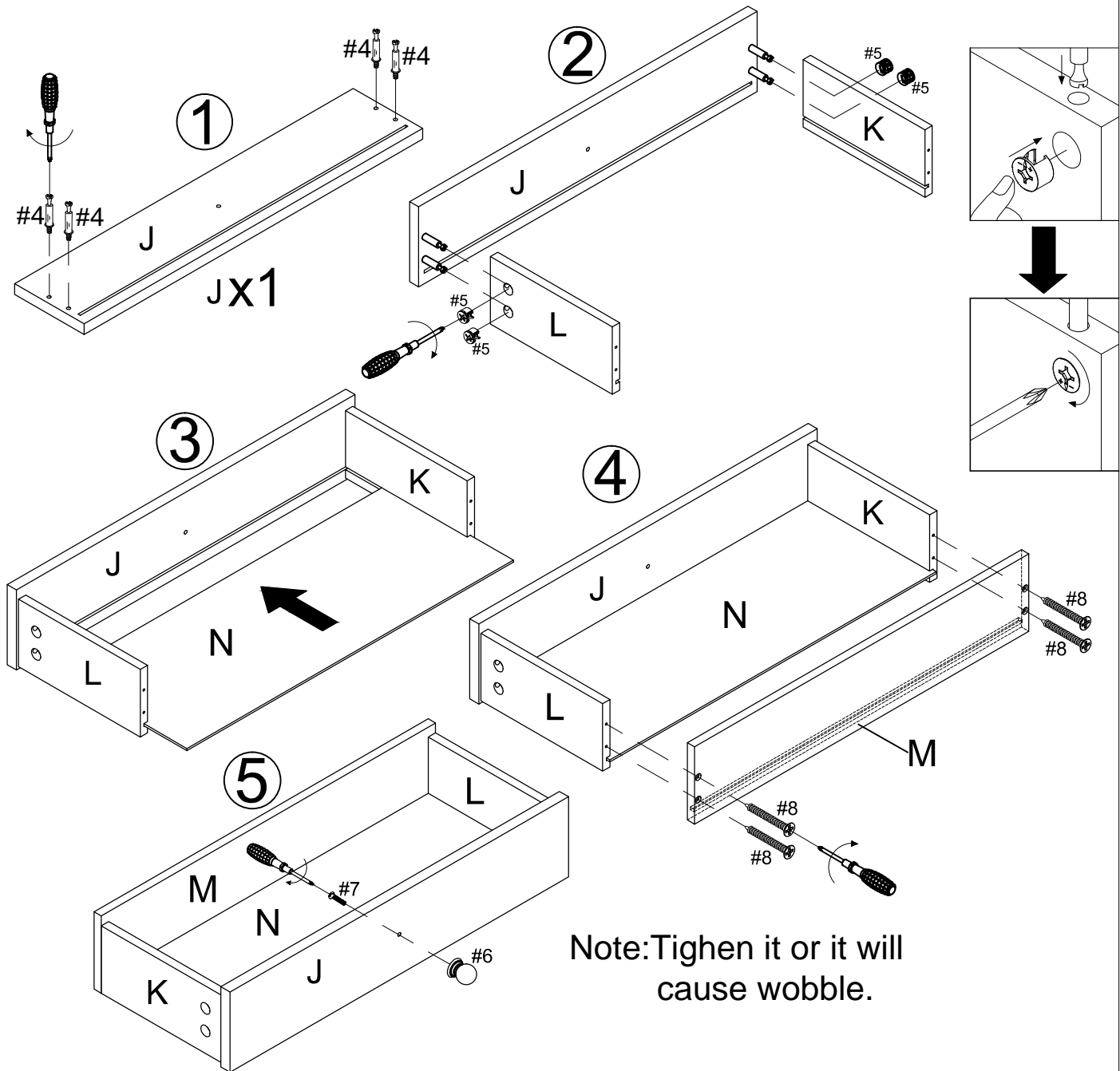
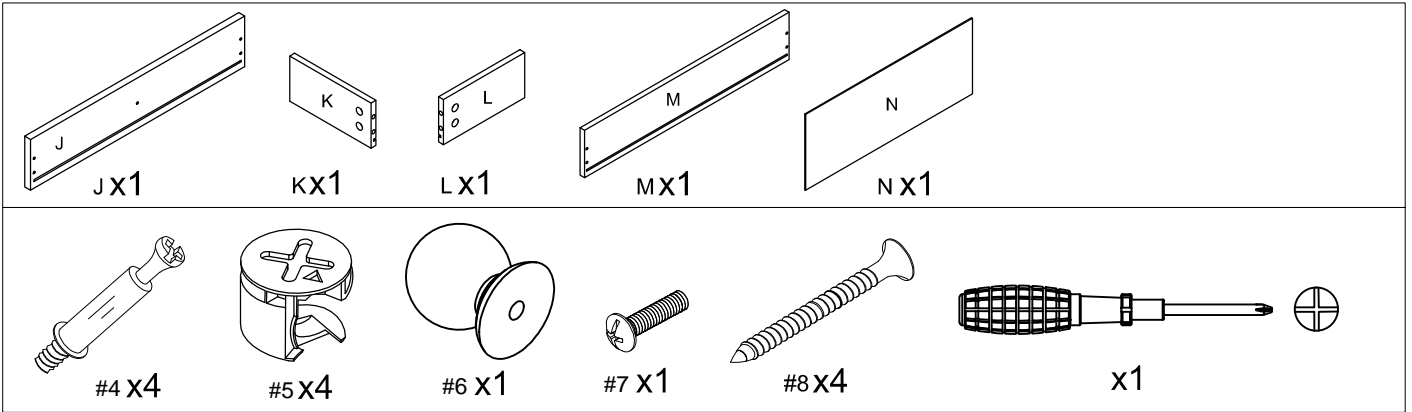
#7 x2



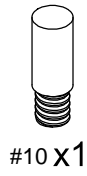
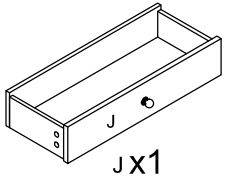
x1



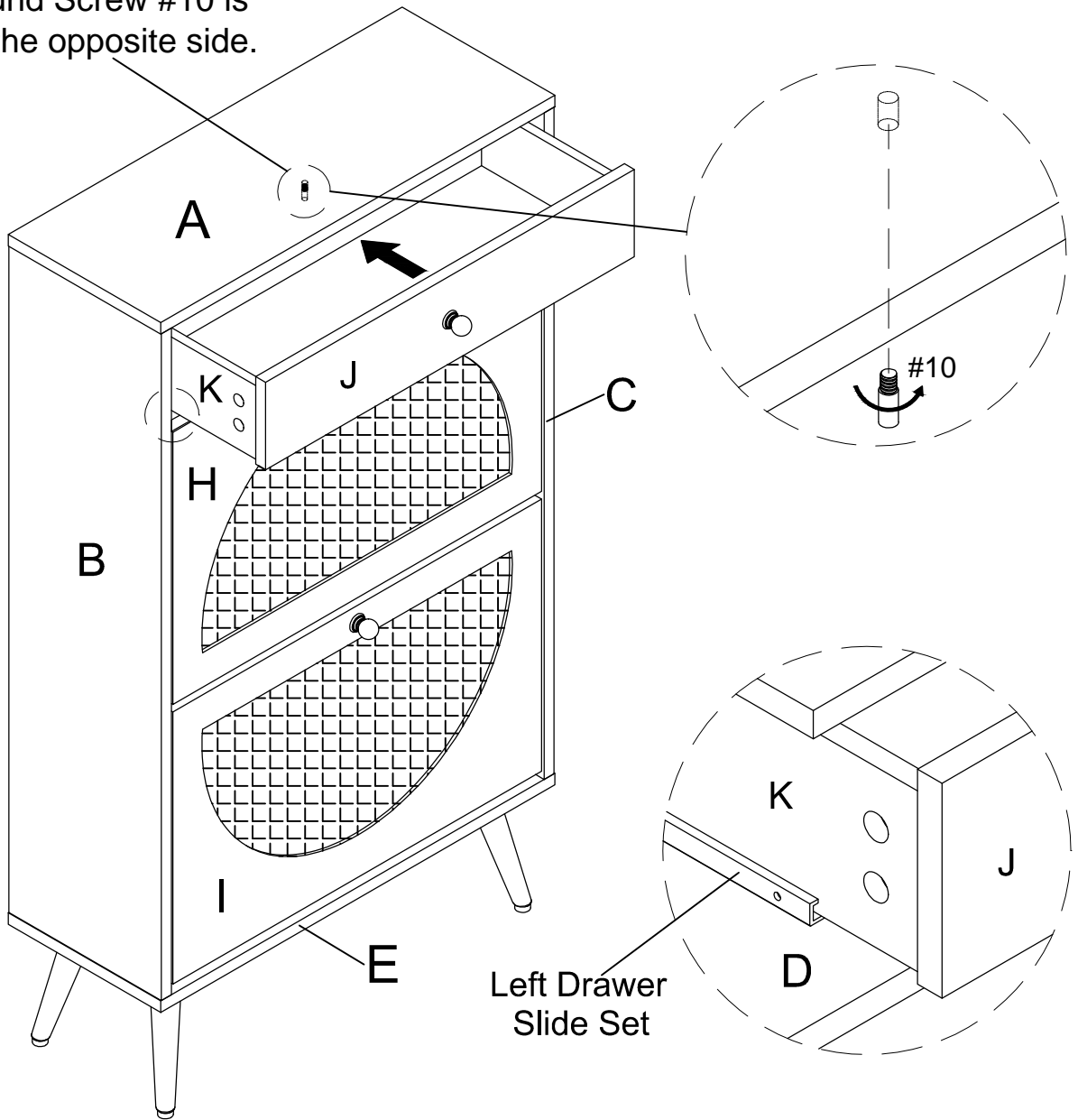
Step 12.

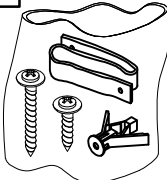
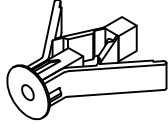
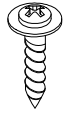
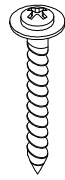
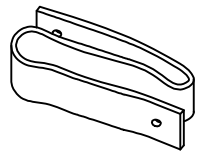


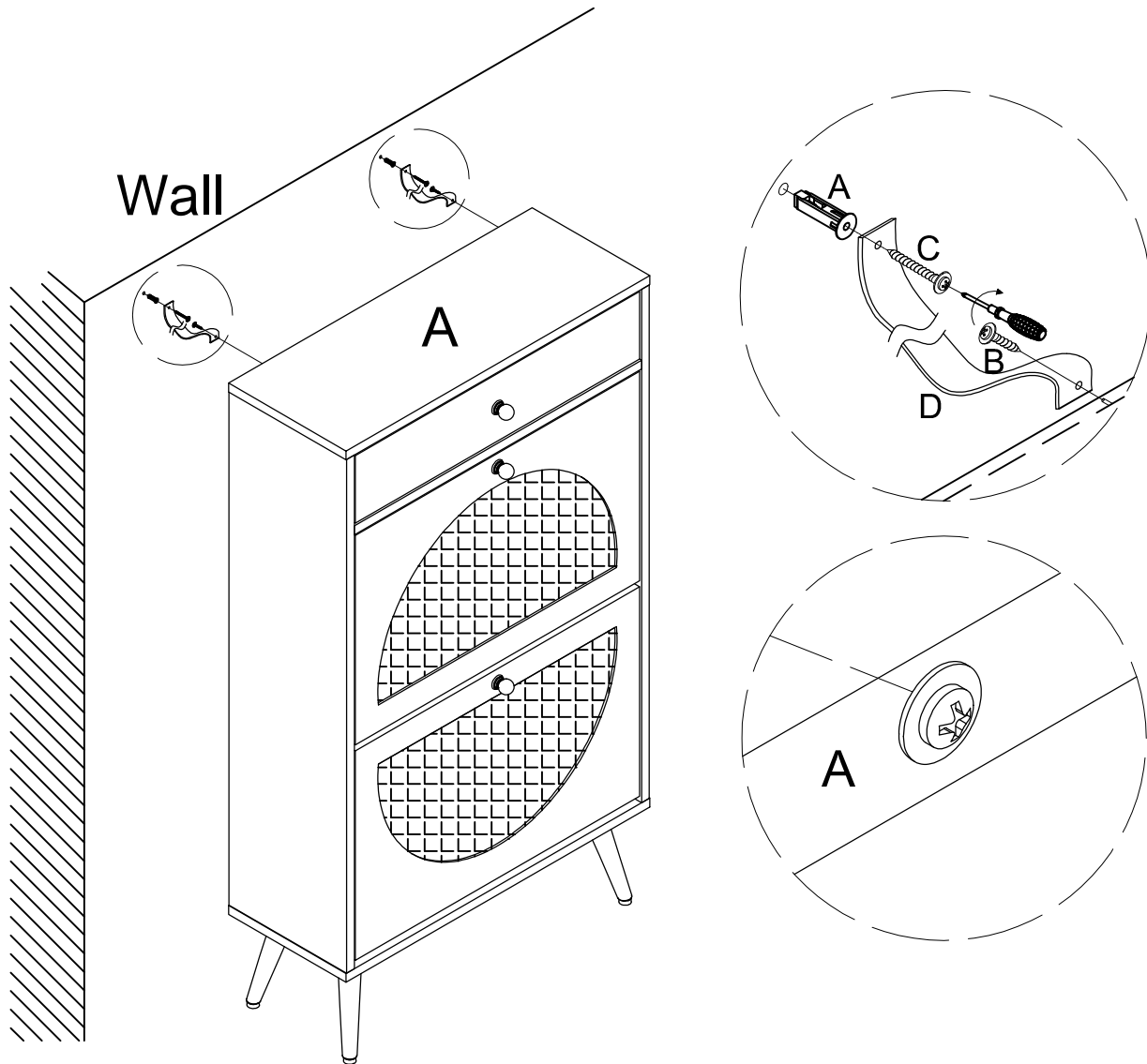
Step 13.



Round Screw #10 is  
on the opposite side.



#15	A	B	C	D
				
Safety Strap Kit	Wall Anchor	Short Screw	Long Screw	Safety Wall Strap
2 SET	2 PCS	2 PCS	2 PCS	2 PCS



## SAFETY WALL STRAP INSTALLATION

Install the safety strap to prevent tip-over which can cause damage and/or injury.

1. Insert Short Screw (B) and Safety Strap (D) to screw onto the Back edge of Top Panel (A). Use a Phillips screwdriver to drive (B).
2. At the location where you want to secure the unit, drill a hole to fit Wall Anchor (A) snugly. The drilled hole has to level with safety strap on the back edge of (A).
3. Next, fit Wall Anchor (A) into the drilled hole.
4. Insert Long Screw (C) and Safety Strap (D) to screw into Wall Anchor (A). Use a Phillips screwdriver to drive (C).

The assembly of the buffet unit is complete.

## Warning:

Seller is responsible for the product-related issues occurred upon receipt, but will not be responsible for the personal injury, property damage or loss resulting from the incorrect assembly, improper use, inadequate maintenance or neglect of this product.