

Assembly Instruction

*Please follow this instruction to avoid assembly errors.

*For customer service, please contact **E-mail: shop@robud.com**

⚠ WARNING:

CHOKING HAZARD-Small parts. STRANGULATION HAZARD-Long cord. Not suitable for children under 3 years.

Toys intended to be assembled by an adult. Children should use the product under adult's guidance.

After opening the package, please keep the packaging items such as plastic film or bags away from babies and children to avoid danger of suffocation.

Please keep the product away from water, and don't put liquid in the pot sets.

Please clean the product with dry soft cloth, don't clean this product with chemical cleaners: alcohol, ammonia water, glass cleaner, etc.

The tool is not a toy! Please keep the tool for future use and store it where children cannot access it.

The instruction must be retained since it contains important information.

x1	x1	x1	x1	x1
x1	x1	x1	x1	x1
x1	x1	x1	x1	x4
x12	x6	x4	x2	x1

Accessories

x1	x2	x1	x1	

1

M4x20mm 2PCS

2

M3x12mm 2PCS

⚠ Notice:
Pay attention to the downward direction of magnetic attraction.

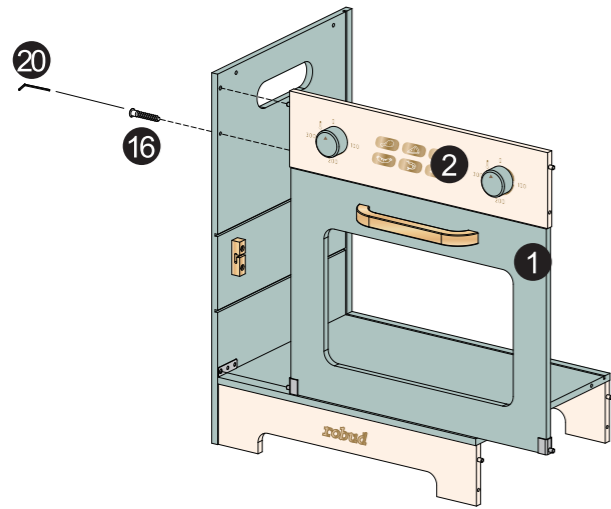
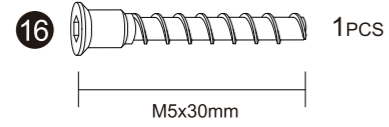
3

M5x30mm 2PCS

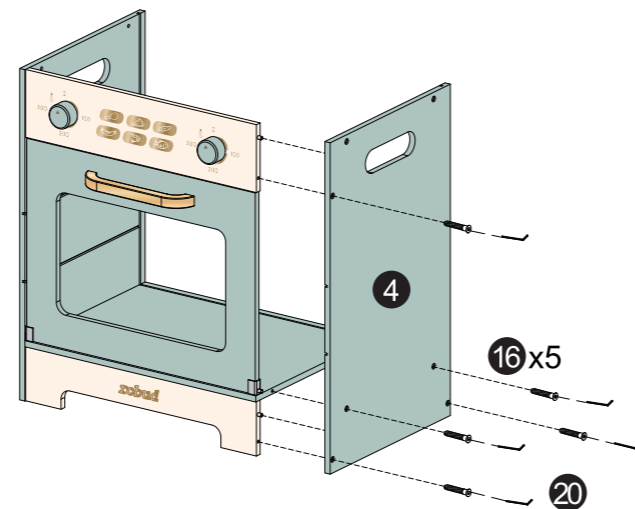
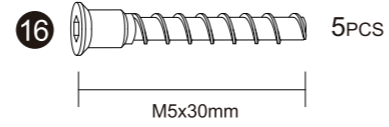
4

M5x30mm 2PCS

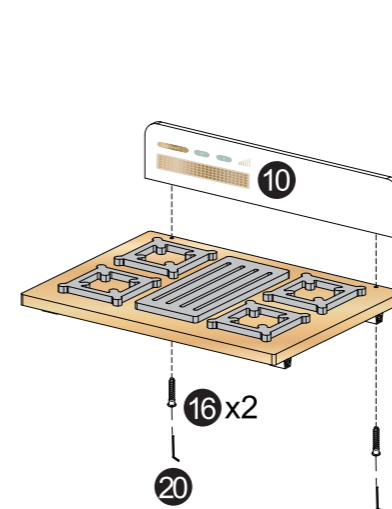
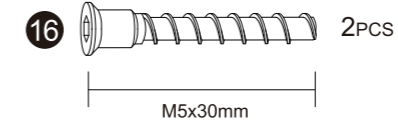
5



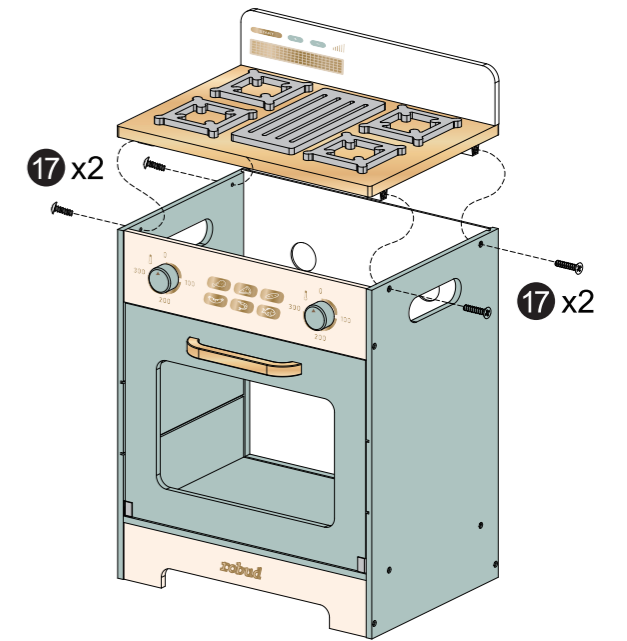
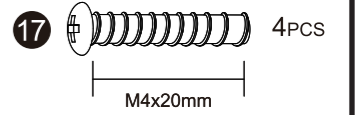
6



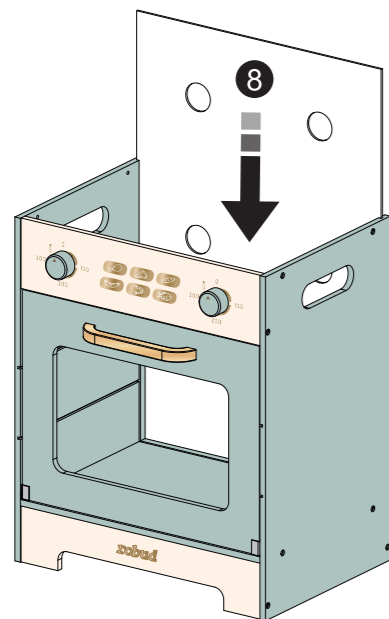
9



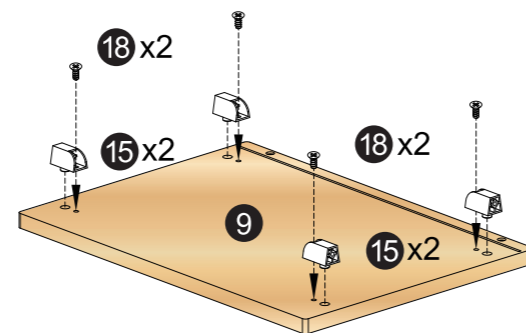
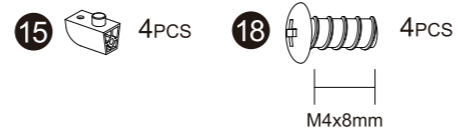
10



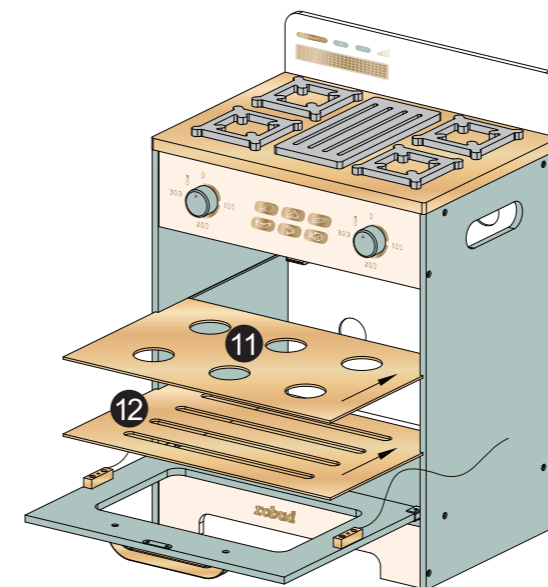
7



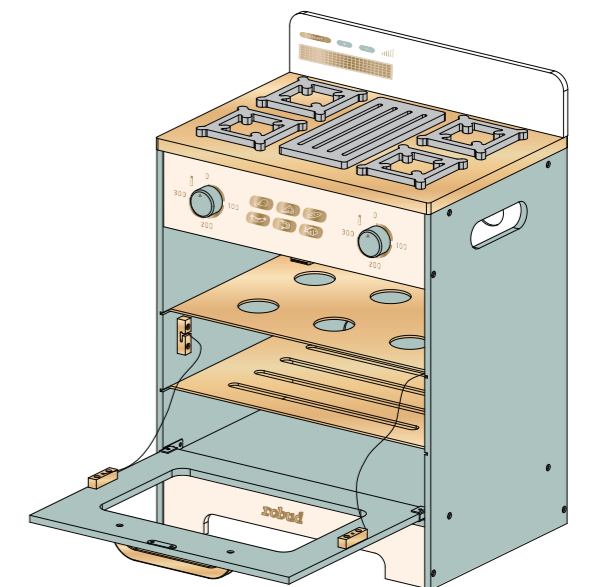
8



11



12



Notice:
Hang the ropes on the wooden grooves on both sides.