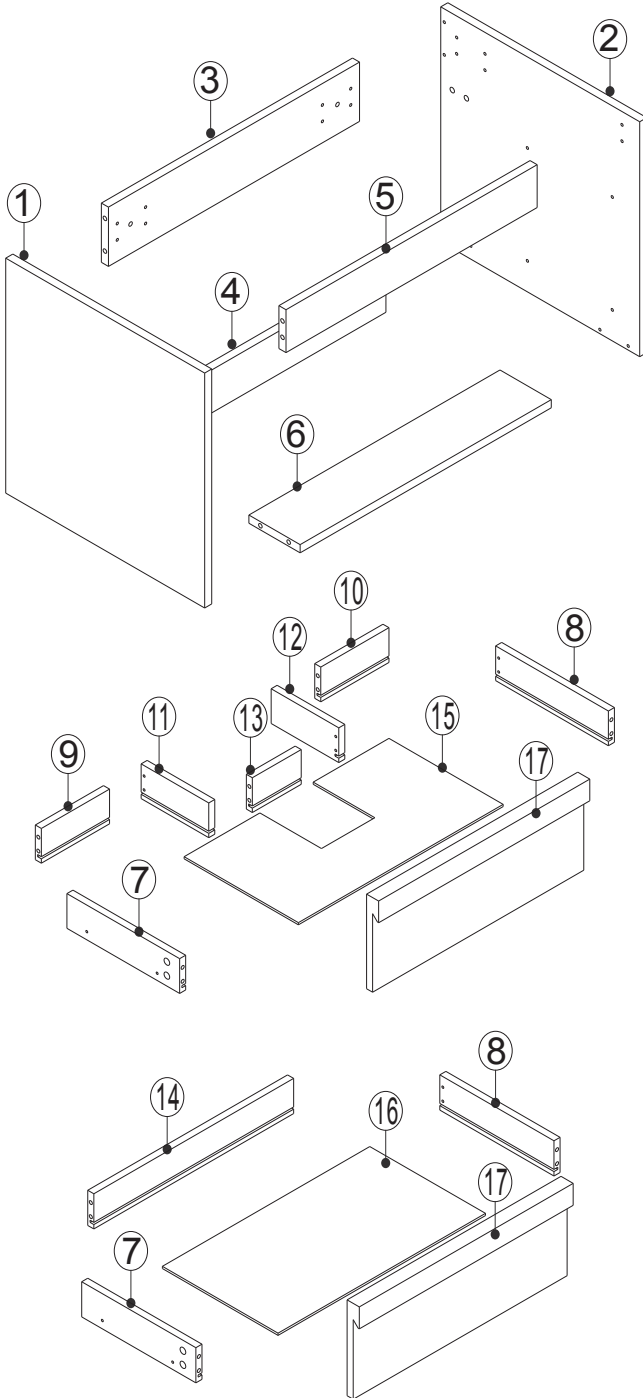








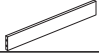
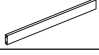



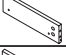

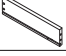

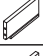


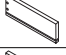
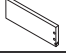





THKFBV061AK0A4/062AK0A4/063AK0A4

## **INSTALLATION INSTRUCTIONS**

# ASSEMBLY DIAGRAM

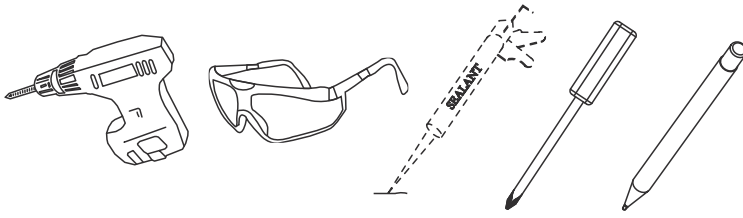


# PARTS LIST

PARTS LIST			HARDWARE LIST		
No.	Description	QTY	No.	Description	QTY
1		1	18	 Three-in-one Connector	40
2		1	19	 Screws	32
3		1	20	 Slider	4
4		1			
5		1	21	 Hanger	2
6		1		 ST4x30 Screws	4
7		2		 ST4x50Screws	6
8		2	22	 Bracket	2
9		1	23	 Screws For Fix On The Wall	2
10		1			
11		1			
12		1			
13		1			
14		1			
15		1			
16		1			
17		2			

**CAUTION:** Please confirm the parts list before installation

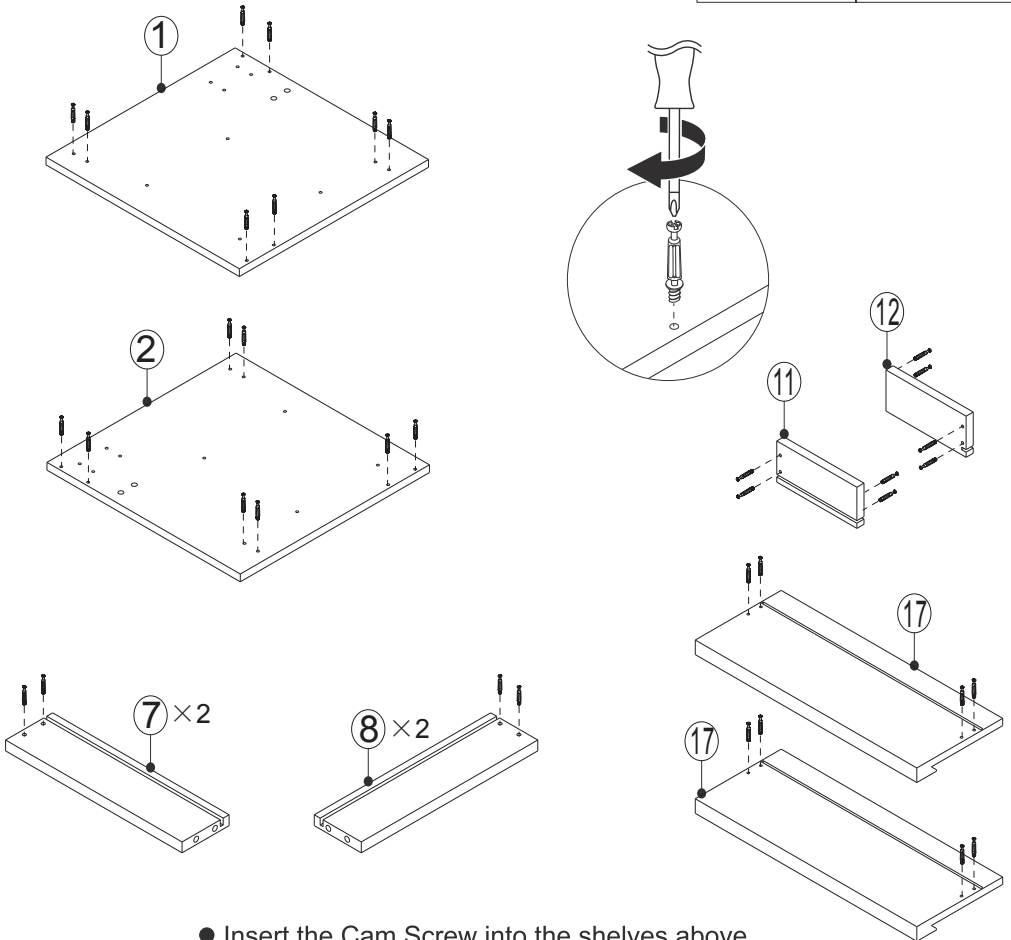
# YOU MAY NEED (NOT SUPPLIED)



## INSTALLATIONS

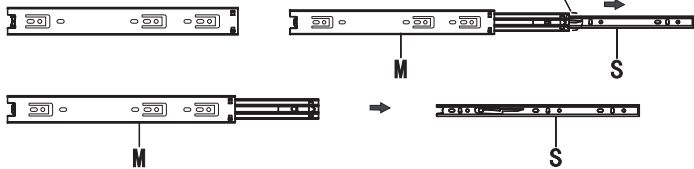
### STEP 1

HARDWARE LIST	
18 	40 PCS 

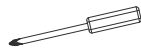


● Insert the Cam Screw into the shelves above.

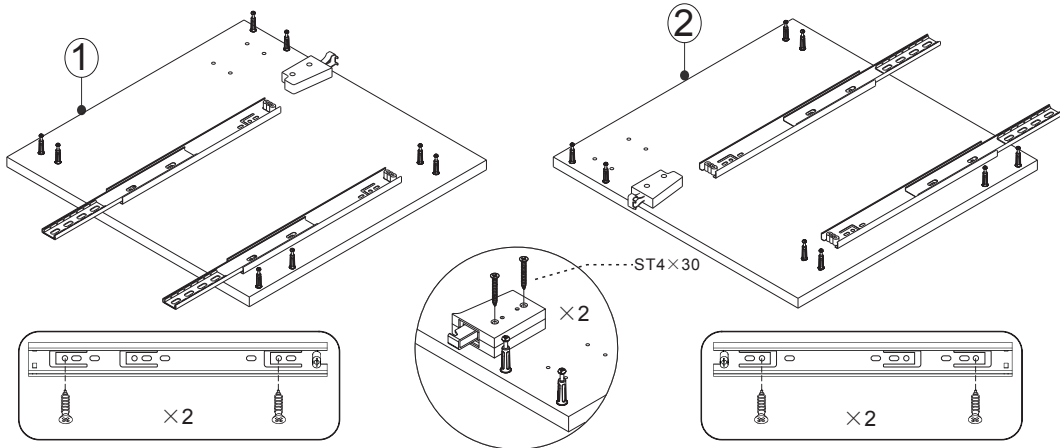
## STEP 2



HARDWARE LIST	
19	8PCS
20	4PCS
21	2PCS
21	4PCS (ST4×30)

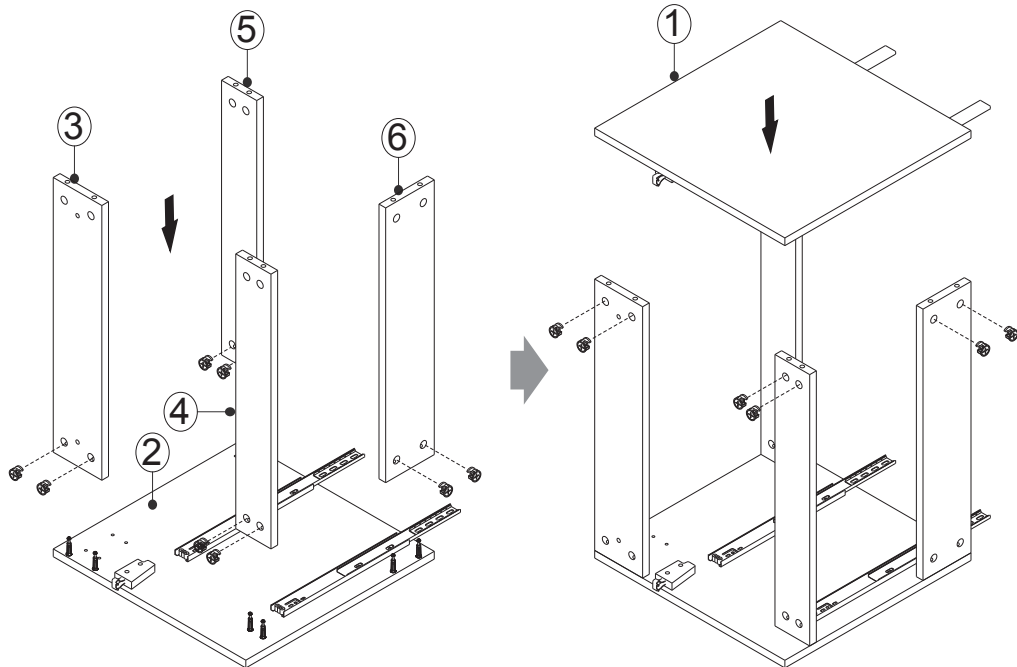
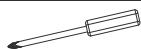


- Keep pressing here, then pull out to device the slide.

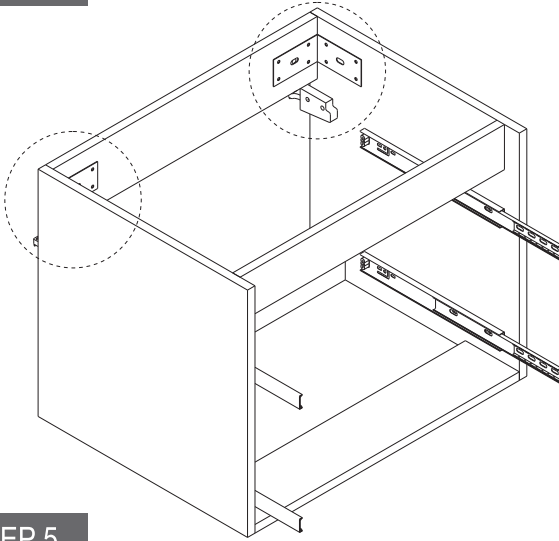


## STEP 3

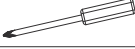
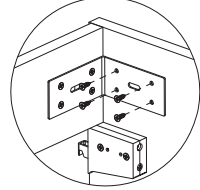
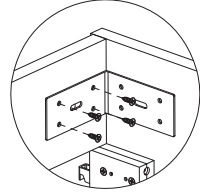
HARDWARE LIST	
18	16PCS



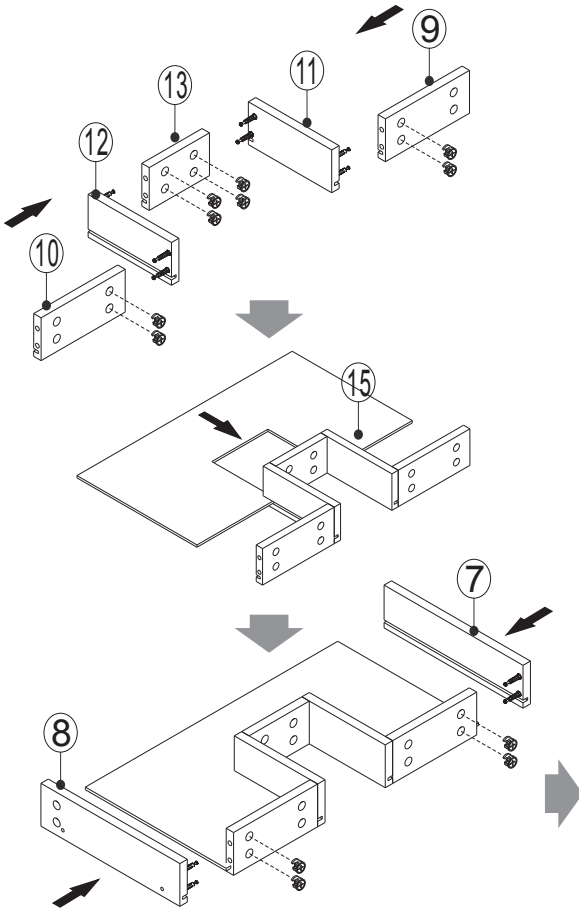
# STEP 4



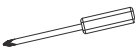
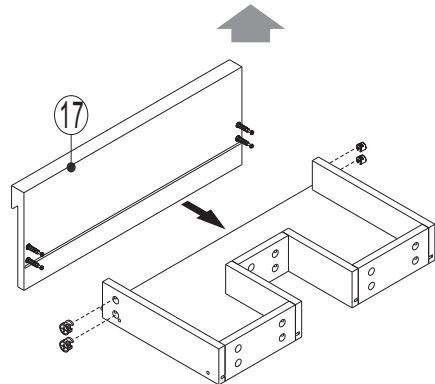
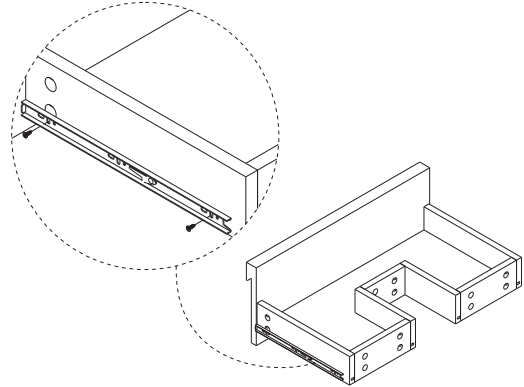
HARDWARE LIST		
22		2 PCS
19		16 PCS

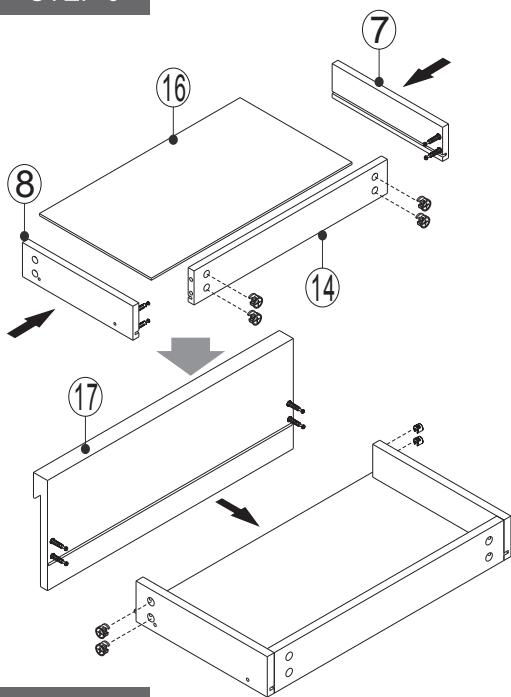
# STEP 5



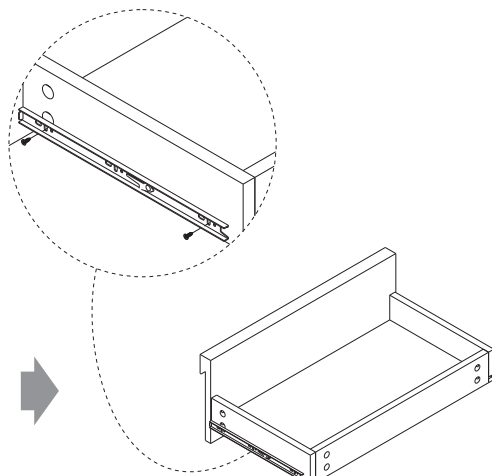
HARDWARE LIST		
18		16 PCS
19		2 PCS
20		2 PCS

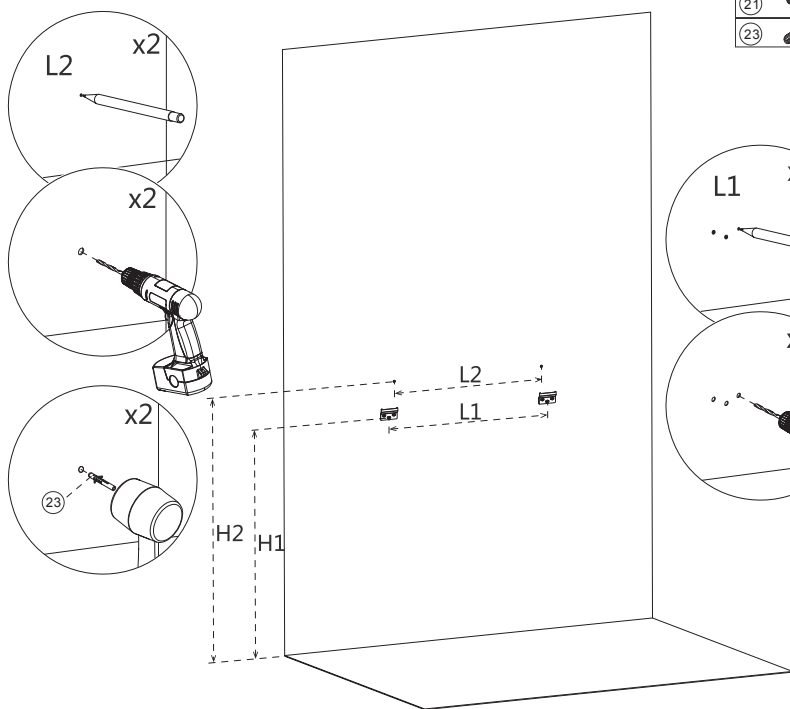
## STEP 6



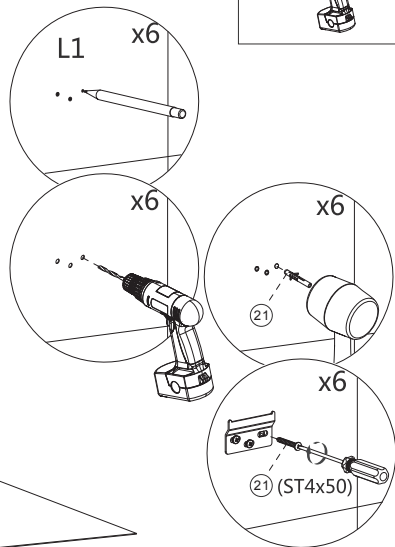
HARDWARE LIST		
(18)	8 PCS	
(19)	4 PCS	
(20)	S 2PCS	



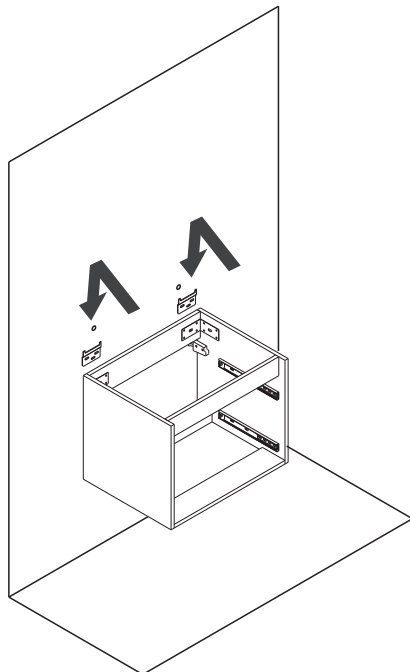
## STEP 7



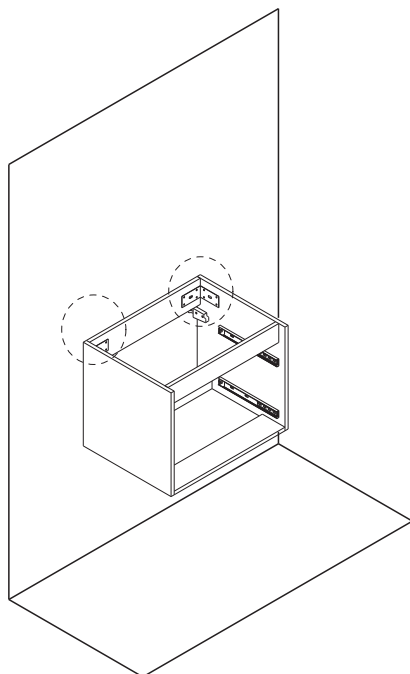
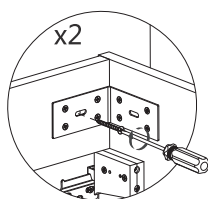
HARDWARE LIST		
(21)	2PCS	
(21)	(ST4x50) 6PCS	
(21)	6PCS	
(23)	2PCS	



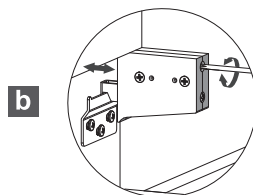
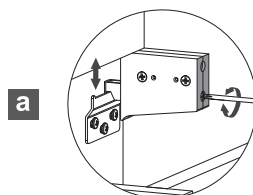
## STEP 8



## STEP 9

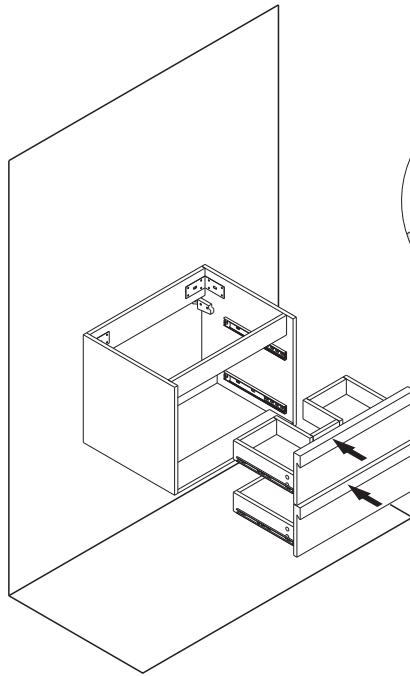
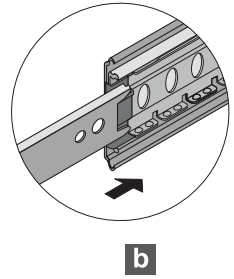
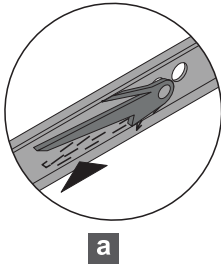


HARDWARE LIST	
23 	2PCS
	



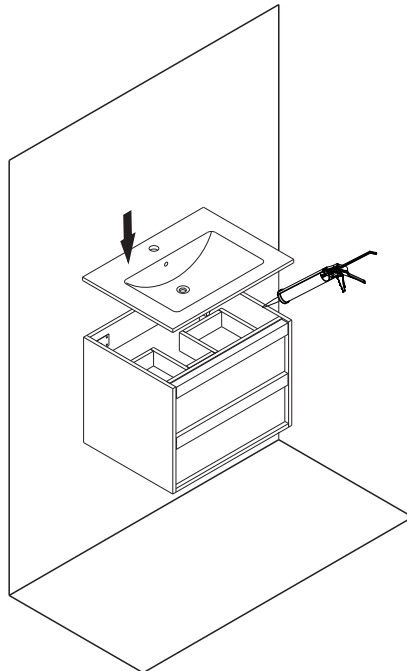
- Through the screw to adjust position of the hanger
  - a** up and down
  - b** front and back

STEP 10



- Assembled drawers are loaded onto cabinet

STEP 11



silicone transparent

## CARE AND CLEANING

1. Many cleansers contain abrasive and chemical substance which is not suitable for cleaning stainless steel, enamel, plating or plastic products. You may use mild cleansers or soaps to clean the surfaces. Wipe any splashes of cleaner solutions from the surface with a clean soft cloth.
2. Maintain ventilation in the bathroom and separate the dry area from the damp one if conditions permit. Try to open the door and windows of the bathroom to maintain adequate ventilation.
3. This cabinet is built to withstand normal bathroom humidity. For best results, keep this vanity dry and take necessary steps to minimize bathroom humidity by opening windows and doors and using the exhaust fan (if available).
4. To maintain the cabinet door, clean and wipe the door regularly with a soft cloth. Wipe condensation with a dry, soft cloth. Keep away from high temperatures.
5. Please do not sit, lean or step on the basin cabinet.



Thank you very much for purchasing from us.

We have always been trying to provide the best service and reliable products for every customer.

We sincerely hope you will be satisfied with our products and leave us FIVE STARS and POSITIVE feedback/ review in our page.

However, accident may happen sometimes, please contact us to resolve any issue before leaving a negative feedback.

Many thanks and welcome to our shop again!

**Contact number:** (323)-393-8260

**E-mail:** [service@eclifeusa.com](mailto:service@eclifeusa.com)