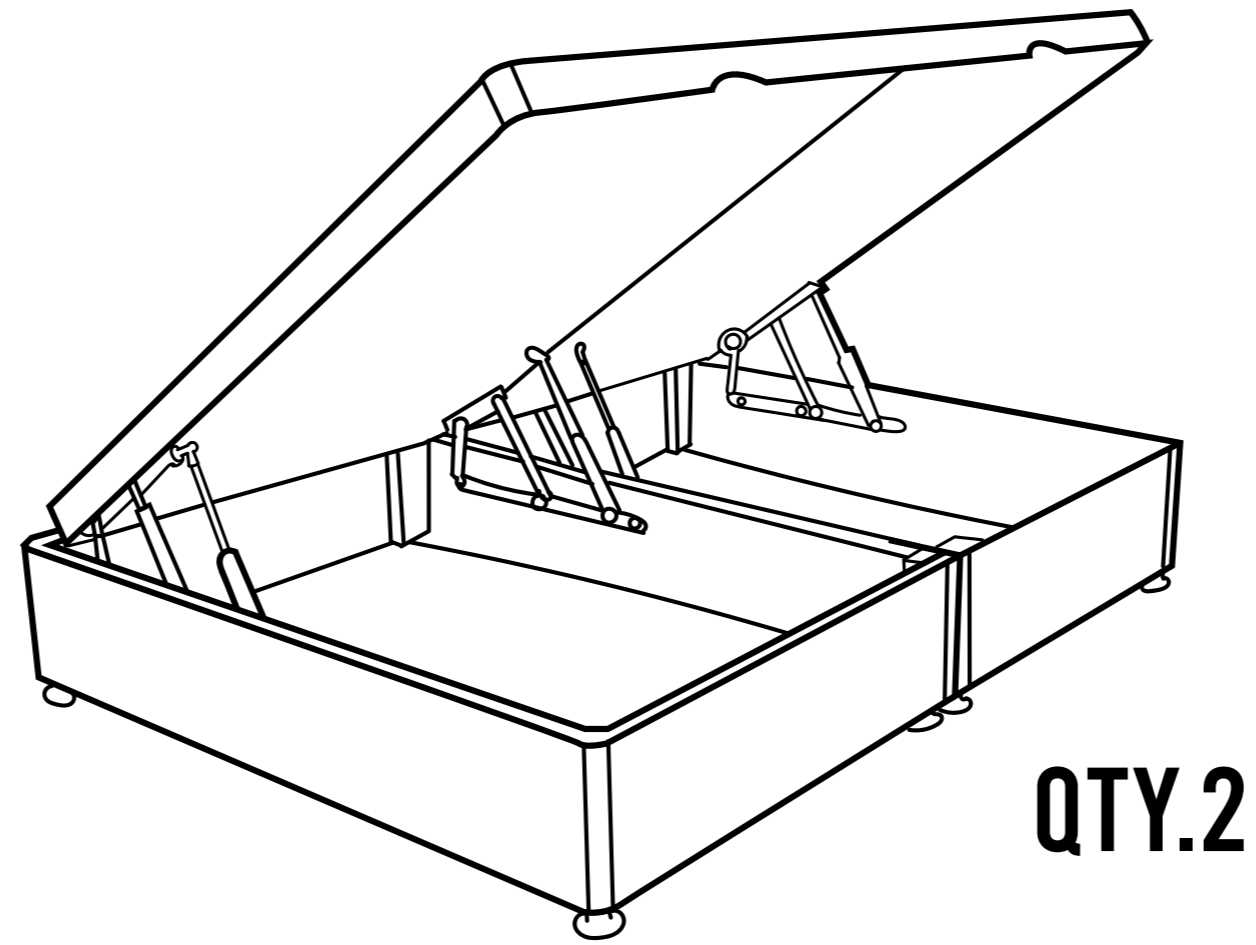


#1

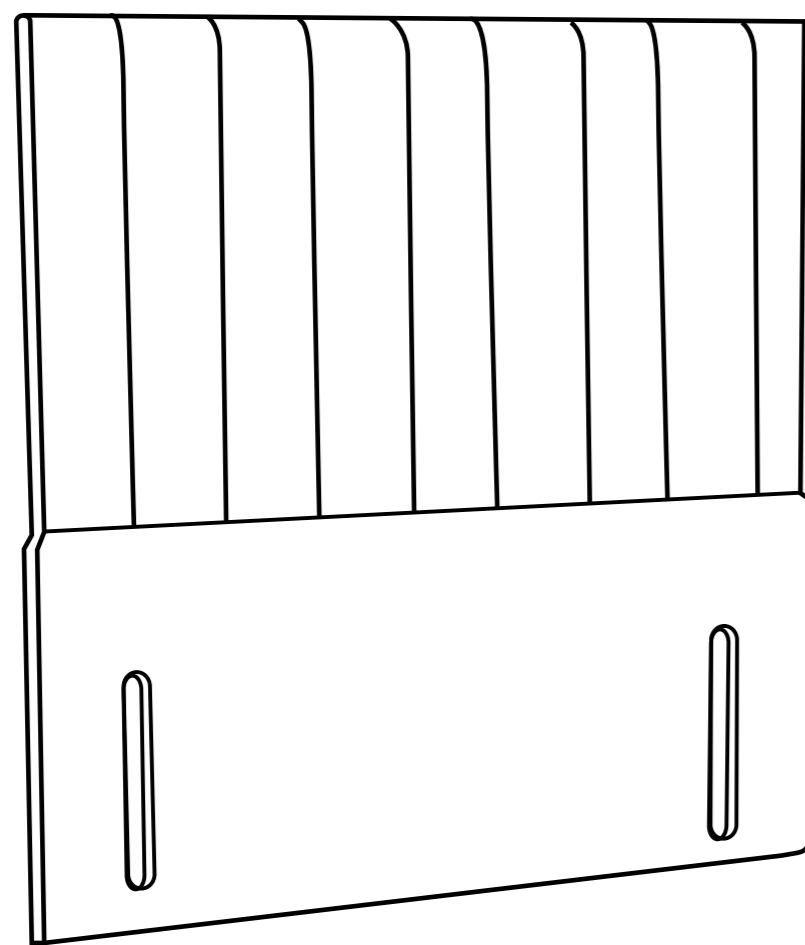
OTTOMAN BED



QTY.2

#2

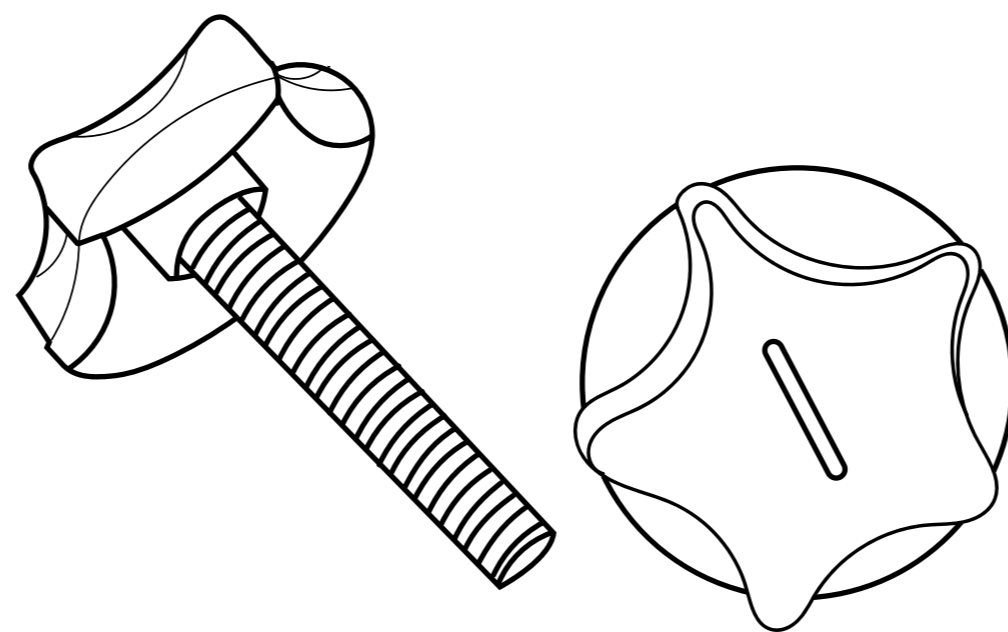
FLOORSTANDING HEADBOARD



QTY.1

#3

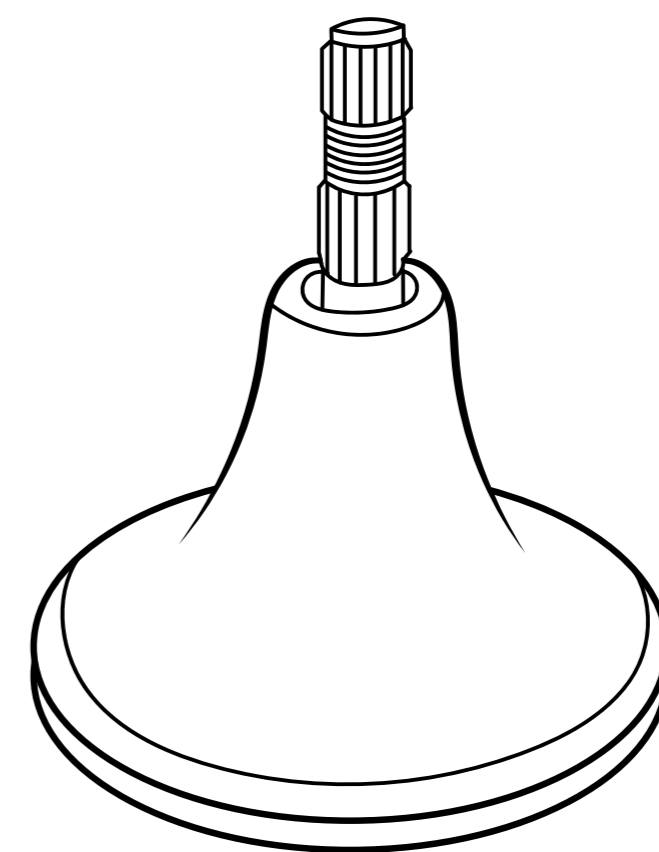
HEADBOARD BOLTS (M8 X 90)



QTY.4

#4

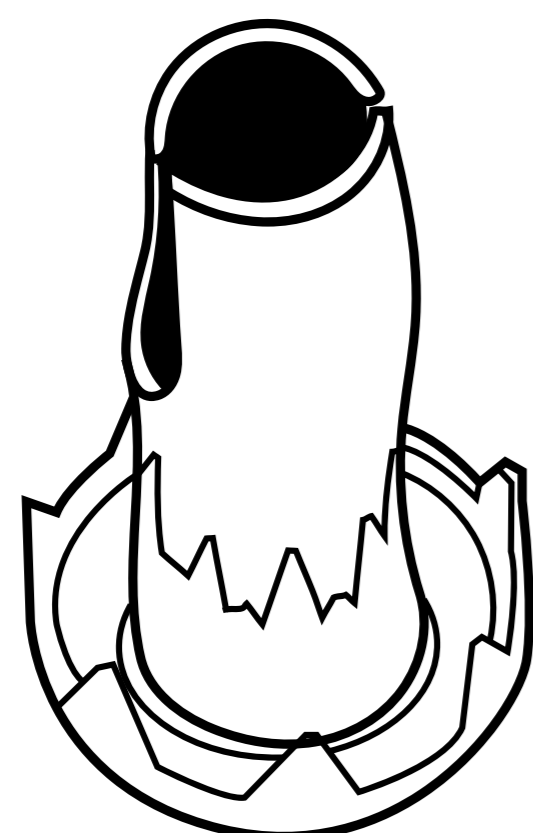
CHROME GLIDE



QTY. 8

#5

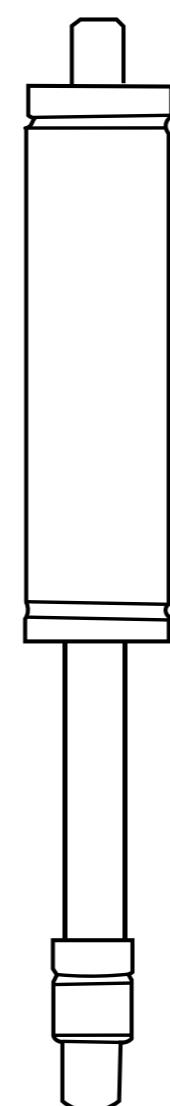
CHROME GLIDE SOCKET



QTY.8

#6

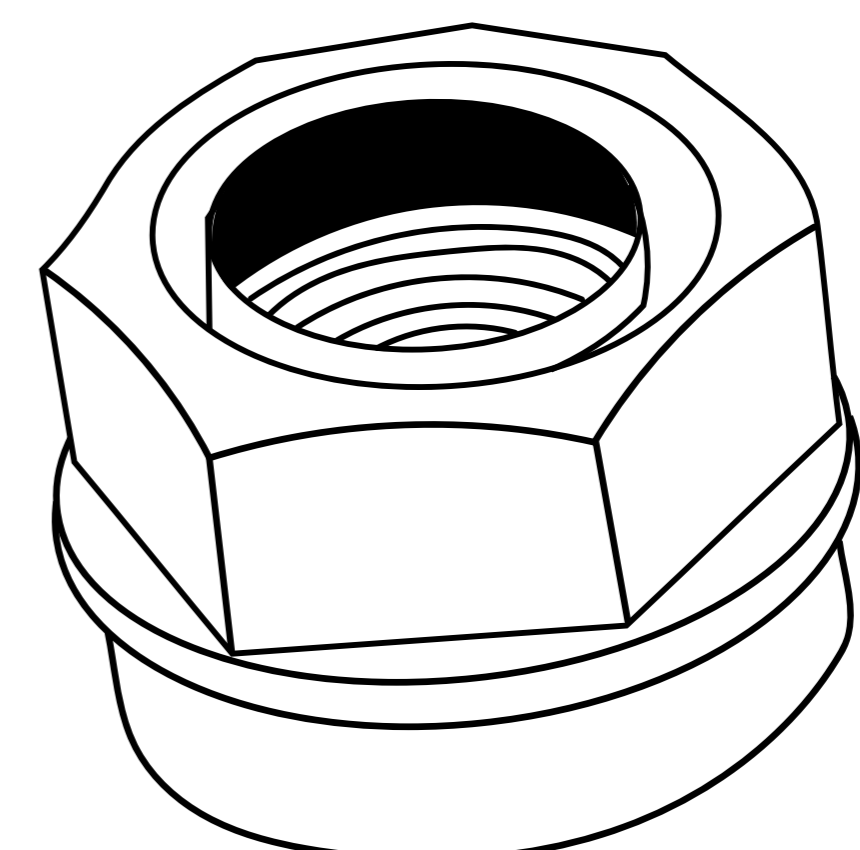
HYDRAULIC GAS LIFT PISTON (800 NEWTON)



QTY. 4

#7

PISTON NUT



QTY. 8

STEP 1: Unwrap #1 (the ottoman base) and #2

STEP 2: Unpack the bag of parts which include #3 and #4

STEP 3: Insert #4 into #5 ready to be inserted into the ottoman base.

STEP 4: Turn #1 on to its side and press in the bed feet (combination of #4 & #5) into the ottoman bed with some force.

STEP 5: Turn the ottoman base back on to its feet.

STEP 6: Look for the predrilled holes in #1 by carefully feeling for them through the fabric ; they will also be labelled with 'insert bolts here' stickers

STEP 7: Carefully remove the fabric once you have felt for the pre drilled holes.

STEP 8: Place #2 behind #1 and insert the #3 bolts through the headboard slots into the ottoman bases pre drilled holes.

STEP 9: Lift open the ottoman base (#1) and remove the top 2 #7 piston nuts. Lift up the gas pistons #6 (the bottom two inserts are already screwed in. Level #6 with the top two inserts and with #7 screw and tighten them in.

STEP 10: Press down the ottoman lift #1 and place the mattress on top to help it close.

