

Installation Instructions

Table of Contents

01 Safety Information	-----	01
02 Ceiling fan installation process	-----	02
① Pre-installation	-----	02
② Tools required	-----	03
③ Hardware included	-----	03
④ Secure bracket	-----	04
⑤ Assembly of Downrod	-----	05
⑥ Mount fan to bracket	-----	05
⑦ Wiring	-----	06
⑧ Blade installations	-----	06
03 Function Instruction of Emitter	-----	07
04 Change Downrod (OPT)	-----	08
05 Operating Your fan	-----	08
06 Maintenance	-----	09
07 Troubleshooting	-----	10

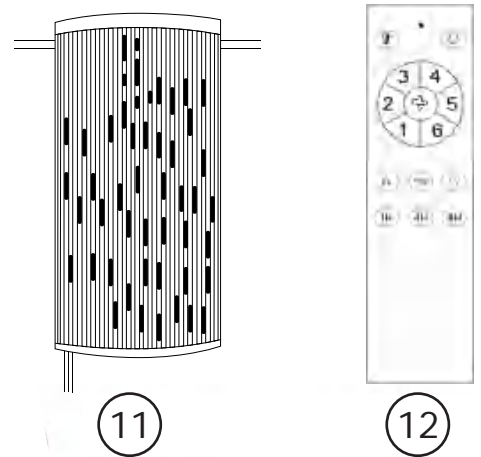
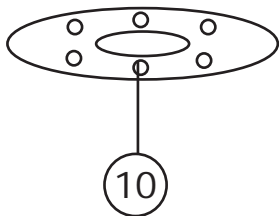
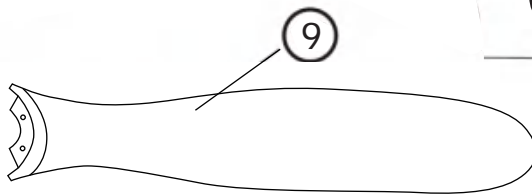
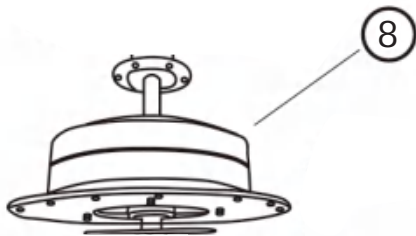
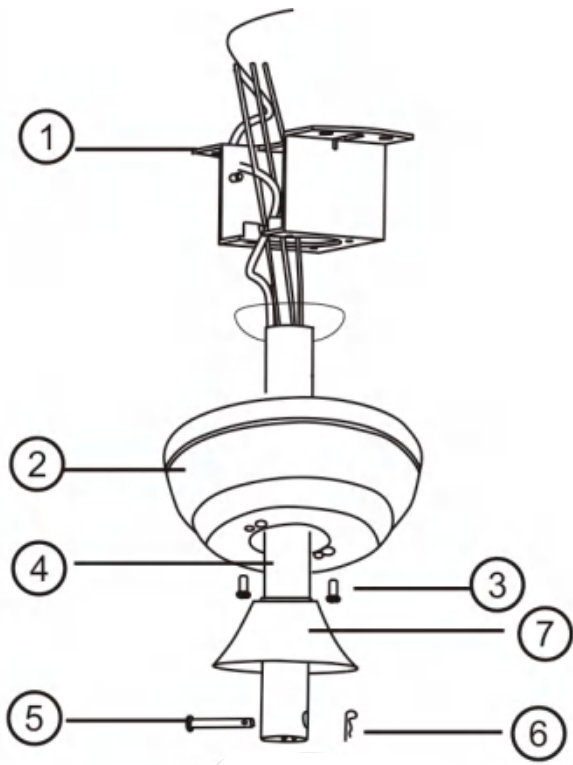
01- Security Information

Please read all safety instructions before installing the ceiling fan and save this document for future reference.



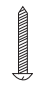
- ▶ Carefully open the packaging. Remove the items from the box. Place the motor body on carpet or foam to avoid damaging the finish. Do not discard the fan carton or foam insert In the case of returns or repairs.
- ▶ To prevent injury and damage, please ensure that the hanging position allows the blade to maintain a gap of 7.6 feet (2.3 meters) and 20 inches (50 cm) with any walls or obstacles, and the installation must support at least 45 kg (99.12 lbs)
- ▶ Turn off the power to the fuse box breaker before starting to install the fan.
- ▶ Read all instructions and safety information before installing a new fan.
- ▶ All wiring must comply with national and local electrical codes. ANSI/NFPA70. If you are not familiar with wiring, please use a qualified electrician.
- ▶ Do not bend the blades when installing or balancing the blades or cleaning the fan.
- ▶ Do not insert foreign objects between rotating fan blades.
- ▶ Make sure that the installation location you choose allows the fan blades to rotate without obstacles.
- ▶ To reduce the risk of electric shock, disconnect the power circuit before installing the lamp kit.
- ▶ After installing the fan, please make sure that all installation parts are fixed to prevent the fan from falling.
- ▶ Turn off the fan and wait for the blades to stop completely before performing any maintenance or cleaning.

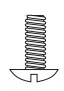
02- Ceiling fan installation process

1 Pre-installation



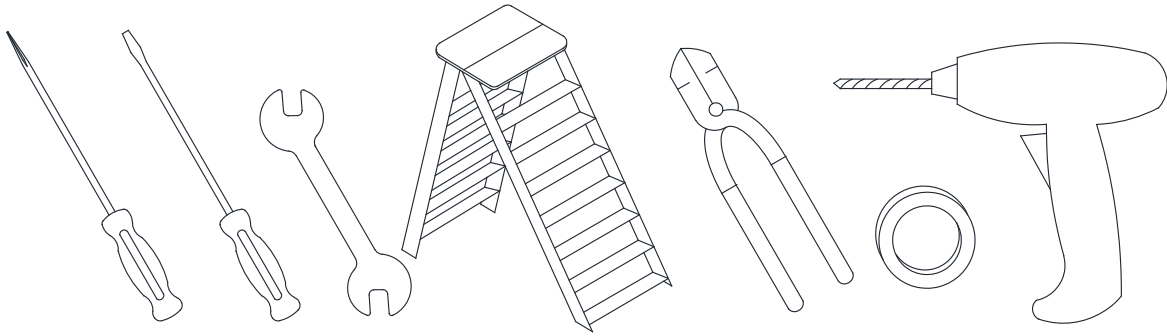
- 1. Mounting Bracket
- 2. Canopy
- 3. Canopy Screws
- 4. Downrod
- 5. Cross pin
- 6. Cotter pin
- 7. Yoke cover
- 8. Motor
- 9. Blade
- 10. Base Plate
- 11. Receiver
- 12. Remote control

	2		2		4
Explosion screw		Balance sticker		Self-tapping screws	

	6
1/4*25 Screw	

Mounting Screws Kit X1

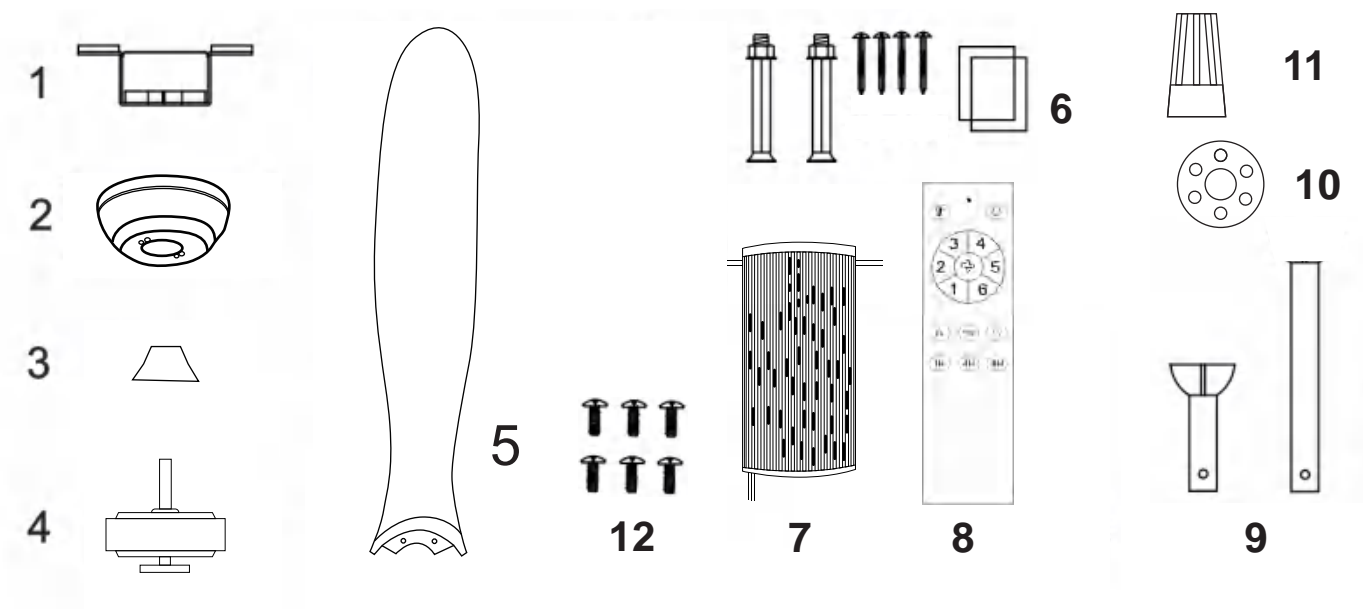
2 Tools Needed



You may need the tools below:

- Screwdrivers
- Wrench
- Ladder
- Wire Strippers
- Insulation Tape
- Power drill

3 Parts Inventory



- 1. Mounting Bracket X1
- 2. Top Canopy X1
- 3. Downrod Canopy X1
- 4. Motor Body X1
- 5. Blades X3
- 6. Mounting Screws Kit X1

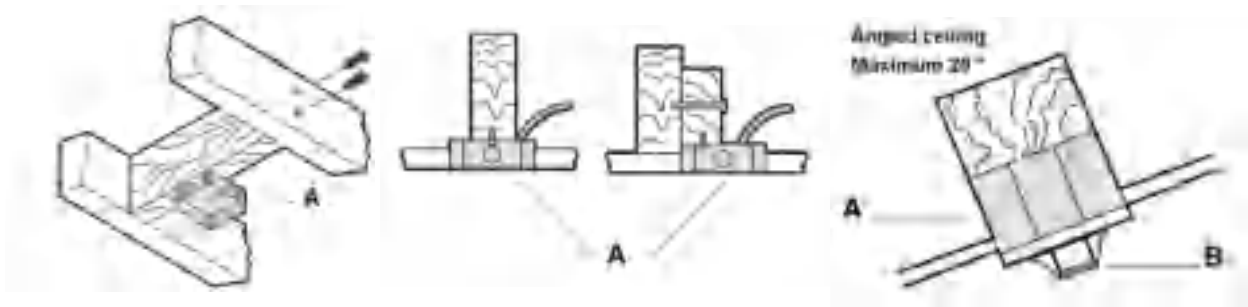
- 7. Receiver X1
- 8. Remote control (including battery) X1
- 9. Downrods (5"/10") X1
- 10. Washer X1
- 11. Plastic wire nut (not to scale) X3
- 12. Blades Screws X6

4 Secure Bracket

• Secure to Outlet Box

If there isn't an existing outlet box, then install one using the following instructions:

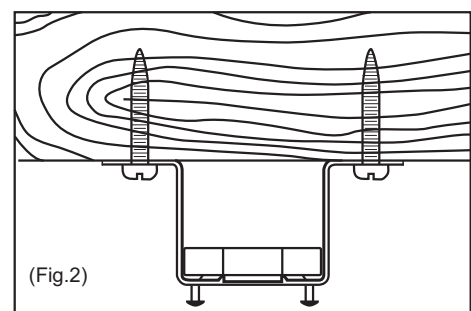
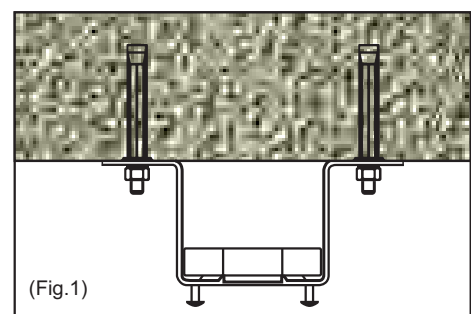
- Disconnect the power by removing the fuses or turning off the circuit breakers.
- Secure the outlet box (A) (not included) directly to the building structure. Use appropriate fasteners and materials (not included). The outlet box and its bracing must be able to fully support the weight of the moving fan (at least 35 lbs).
- Figures show three different ways to mount the outlet box (A) (not included).



Using the existing screws provided with your outlet box to secure the mounting bracket to the outlet box tightly (a loose mounting will the fan to wobble).

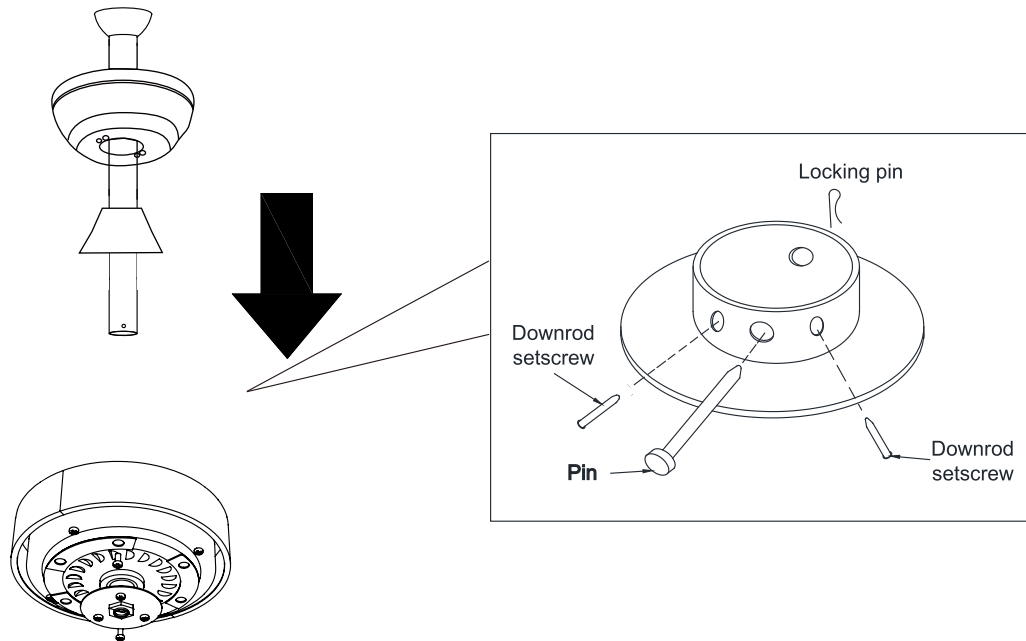
• Secure Bracket

1. For the concrete ceiling: Mark the location for the ceiling fan first, then drill two holes in the ceiling to aid in securing ceiling bracket with two expansion screws provided, and secure the mounting bracket to the building structure with two expansion screws provided, tighten the screws. (Fig.1)
2. For the Wood Ceiling: Mark the location for the ceiling fan first, secure the mounting bracket to the building structure with four wood screws provided. (Fig.2)



NOTE: Hanger after the installation must be able to withstand the weight of 45 kgs or more.

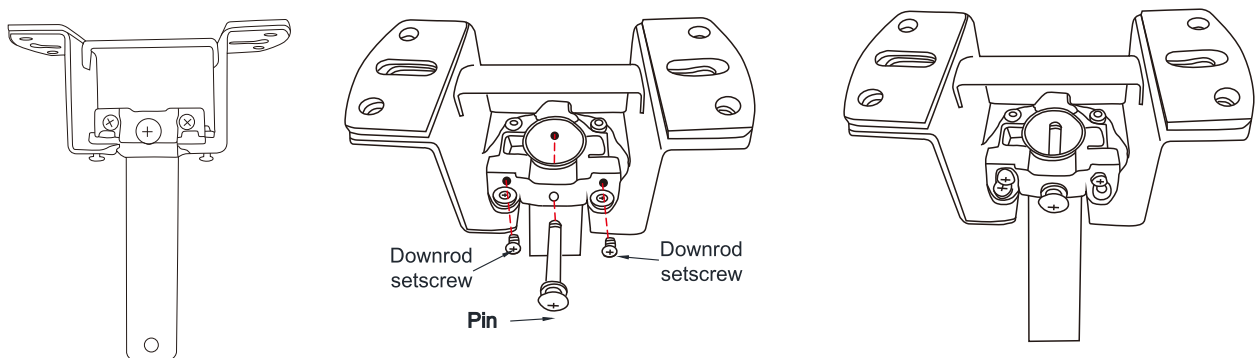
5 Assembly of Downrod



- Choose the proper downrod

1. Put the downrod through the top canopy and the downrod canopy
2. Pass the wire from the motor body through the downrod
3. Secure the downrod and motor body with downrod setscrews and celvis pin

6 Mount Fan to Bracket

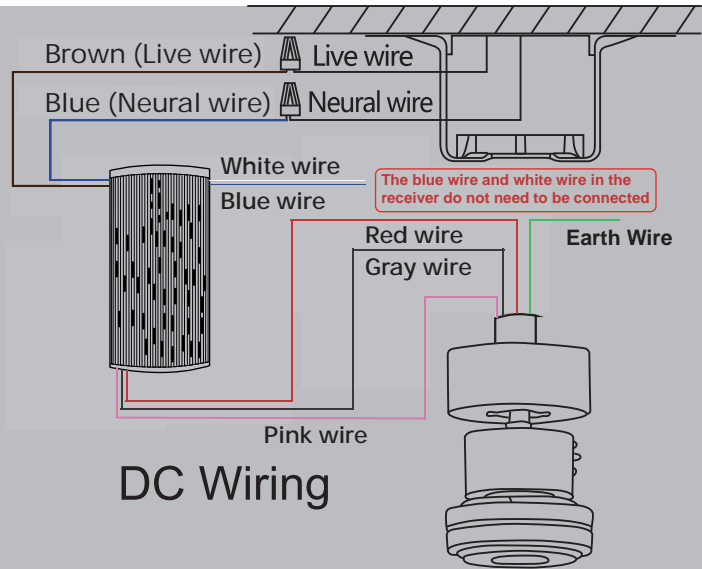


1. Pull out the long screws (Pin) on the hanger and loosen the screws on both sides (Downrod setscrewe).
2. Insert the hanger rod into the round hole of the hanger, and pass the long screw through the hanger rod, align it with the hanger hole, and tighten the screw
3. Tighten screws on both sides.

Note: Make sure to tighten the three screws on the hanger; otherwise, the fan may shake.

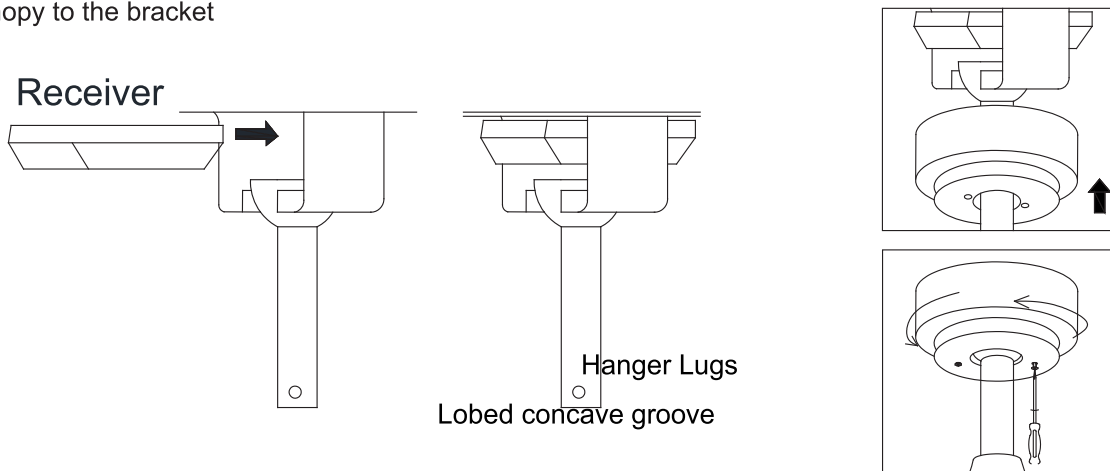
7 Wiring

Color to Color
The plug to the plug



Insert the receiver into the top of the fan body and make wire connections according to wire colors, labels, and diagram above.

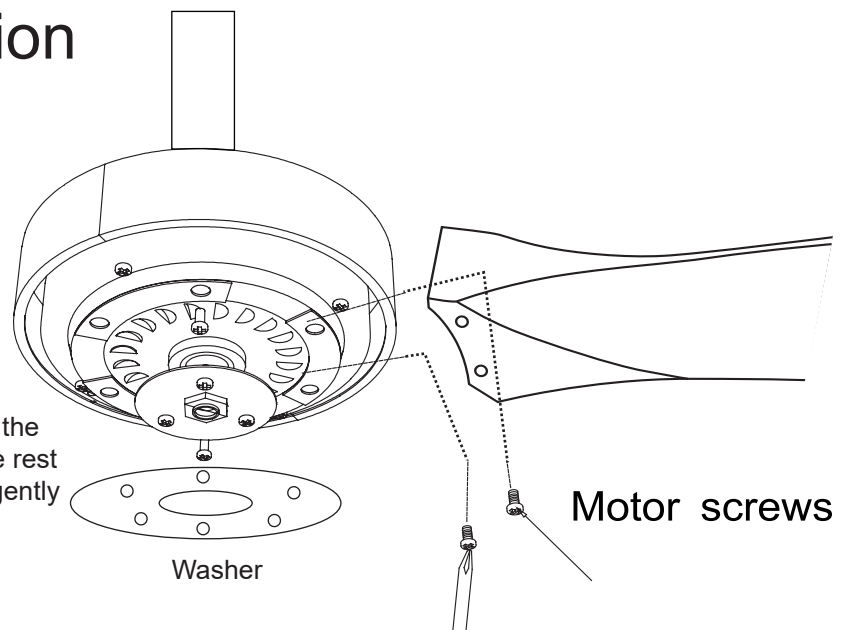
- * Wrap each wire connector separately with electrical tape as an extra safety measure.
- * After wiring finished, leave the receiver in the bracket and secure it the the electrical tape then secure the canopy to the bracket



8 Blade Installation

Insert a blade screw from the package through the blade hole and position it under the motor so that the screw is aligned with the "center" hole position of any group of two screw holes.

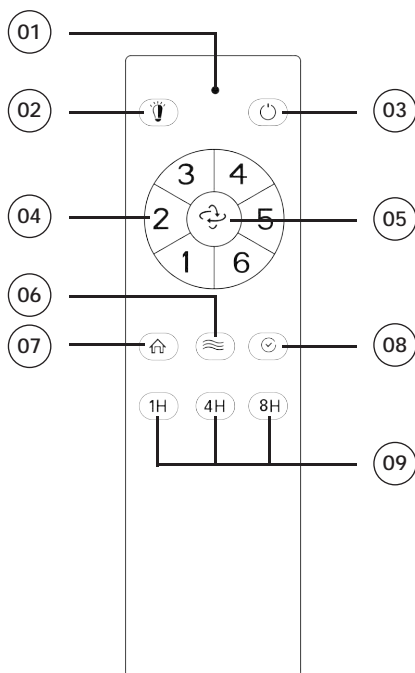
Using the screwdriver to secure the blade to the motor, but do not over tighten. Repeat for the rest blades. Once all blades screw are in place, gently tighten all serews with the screwdriver.



Kindly Reminders

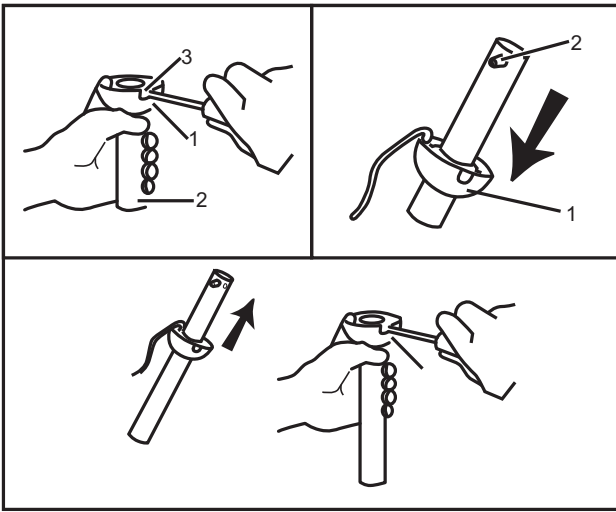
1. Learning code matching mode is used between emitter and receiver. Turn "ON" the supply power within 30 seconds and press the emitter's "3 OFF the fan" button for 5 seconds, it can load normally after hearing a long sound "bee", which means learning successfully and it can work normally. (PS: Learning mode is not accepted after turn "ON" the supply power 30 seconds)
2. When the emitter cannot control the receiver, please check the battery switch touching normally or not, correction of the positive and negative, full or empty of the power.
3. When the emitter cannot control the receiver, please check the existence of similar remote controlled products nearby, then check whether they work, because remote controlled products with the same frequency will disturb each other.
4. Low voltage of battery will affect the sensitivity of the emitter and the signal reception accordingly (the indicated light will flash out its warning when the battery gets low voltage). Must replace if battery is getting low voltage.
5. Please take out the battery from the emitter when leaving unused for long time.
6. When installing the fan, the fan ceiling cover don't press the antenna (or other wire). It is easy to breakdown the wire and short-circuited.

03- Function Instruction of Emitter



- 01 LED indicated light
- 02 ON/OFF the light (This product does not have this feature.)
- 03 OFF the fan
- 04 Speed of the fan (1 - 6)
- 05 Direction of the fan (Reverse switch)
- 06 Natural wind
- 07 Simulate a human burglar lamp
- 08 Delay closing of the fan
- 09 Timing control of the fan

04- Change Downrod (OPT)




The Ceiling Fan comes with 5 inches and 10 inches downrod which is preassembled and attached to the hanger ball, one longer 10 inches downrod is also included for higher ceilings. If you need a different downrod length, please follow these steps:

1. Loosen the hanger ball from ball from downrod by removing set screw.
2. Slide downrod ball off of downrod and remove pin
3. Re-install pin into extended downrod, and slide downrod ball up to the top of the downrod
4. Re-install set screw to secure ball to downrod

05- Operating Your fan

Turn on the power and check the operation of the fan. The remote controls the fan speed and light.

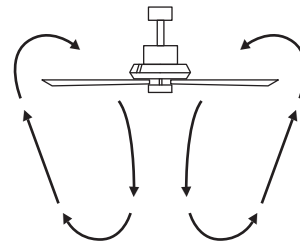
The appropriate speed settings for warm or cool weather depends on factors such as the room size, ceiling height, and number of fans.

The switch  controls the direction of the blades: forward or reverse.

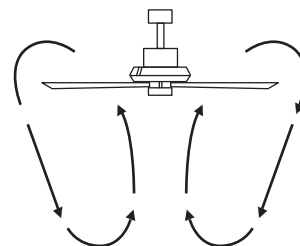
NOTE: Wait for the fan to stop before reversing the direction of the blade rotation

A. Warm weather-(Forward) A downward airflow creates a cooling effect. This allows you to set your air conditioner on a higher setting without affecting your comfort.

B. Cool weather-(Reverse) An upward airflow moves warm air off of the ceiling. This allows you to set your heating unit on a lower setting without affecting your comfort.



A. Warm Weather
(summertime)



B. Cool Weather
(wintertime)

06- Maintenance

Here are some suggestions to help maintain your fan

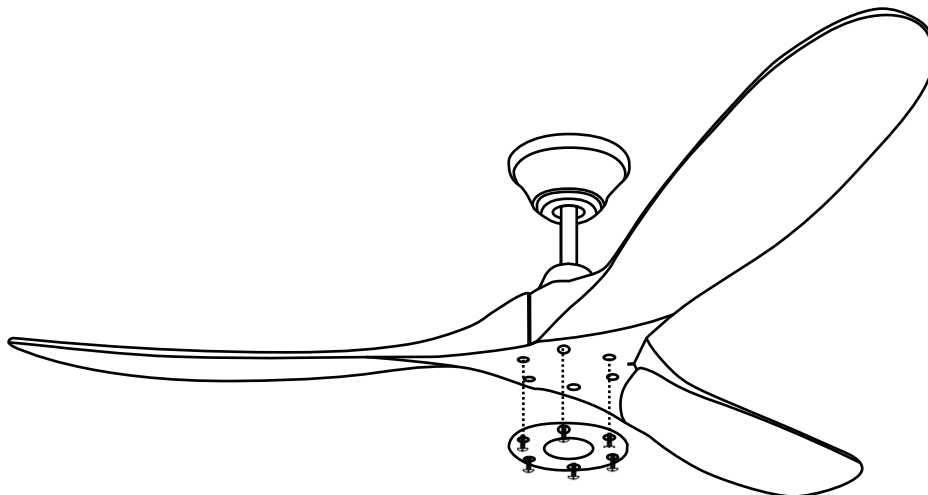
- Because of the fan's natural movement, some connections may become loose. Check the support connections, brackets, and blade attachment twice a year. Make sure they are secure.
- Clean your fan periodically to help maintain its new appearance over the year. Do not use water when cleaning. This could damage the motor, or possibly cause electrical shock.
- Use only a soft brush or lint-free cloth to avoid scratching the finish. Cleaning products may damage the finished
- There is no need to oil your fan. The motor has permanently lubricated bearings.
- If installed in a coastal, humid environment, regular surface cleaning may be necessary to avoid deterioration or oxidizing effects of salt or other corrosive elements. A Damp Location rating is not an assurance of finish durability. Preventative measures should be taken depending on the environmental exposures your fan will undergo to preserve and protect the finish quality and appearance of your fan.

WARNING

Before servicing or cleaning your fan, switch power off at the service panel and lock the service disconnecting means to prevent power from being switched on accidentally.

Installation Special Reminder

Before installing the screws on the fan blade, make sure that the iron ring is covered. On the fan blade, tighten the screws. Fan blades must not be fixed directly with screws. It would be because The screw is too long and breaks the copper core of the motor.



07- Troubleshooting

Please read all installation instructions carefully.

After reviewing the following tips, if you are unable to solve a problem, please contact customer service for additional assistance

WARNING

Before servicing or cleaning your fan, switch power off at the service panel and lock the service disconnecting means to prevent power from being switched on accidentally.

TROUBLESHOOTING

Failure Situation	Handling
After power turned on, heard one beep sound, and there was no sound after pressing the remote control, and the fan did not run.	Rematch the code: 1-step: turn off the power for about 10 seconds, 2-step: turn on the power again, the receiver will make a sound (beep), at the same time simultaneously press the "On/Off" on the top of the remote control (the top button) , Hold down this button and don't let go until you hear the (beep, beep) sound, the code is successfully matched.
After power turned on, hear several beeps or long beeps, press the remote control, the fan does not run.	The motor wire is in poor contact with the remote control receiver. Turn off the power immediately, reconnect the motor wire with the receiver or make sure that the extension wiring is correct and not loose.
Noise of the motor, such as a stuck sound.	The motor was hit, causing internal parts to touch. Try to use a soft hammer to strike along the edge of the motor. Ensure that the assembly is correct and the iron sheet is on the blade.
Wobble	Debug with balance sheet. In addition, the blades are installed with moderate tightness, too tight or too loose are not suitable.
Warm tips: After power turned on, it is recommended to use the high-speed first, that is, fast first and then slow. This is more conducive to protecting the motor.	