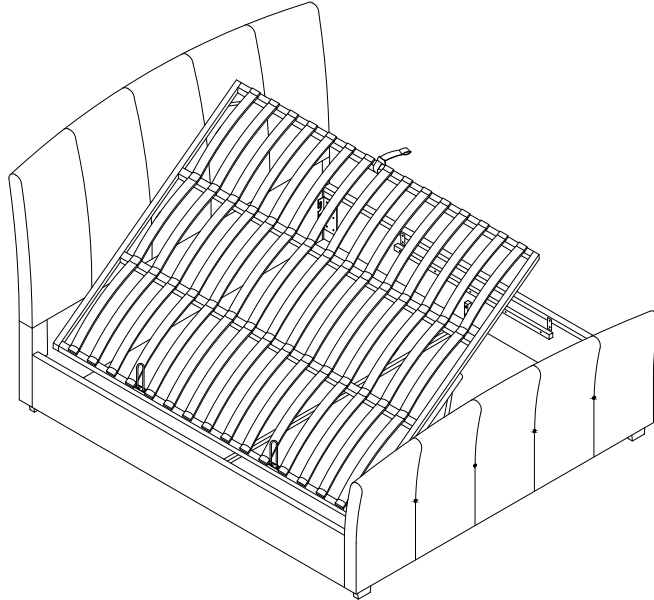
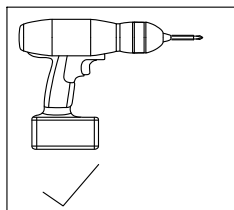


# ASSEMBLY INSTRUCTION

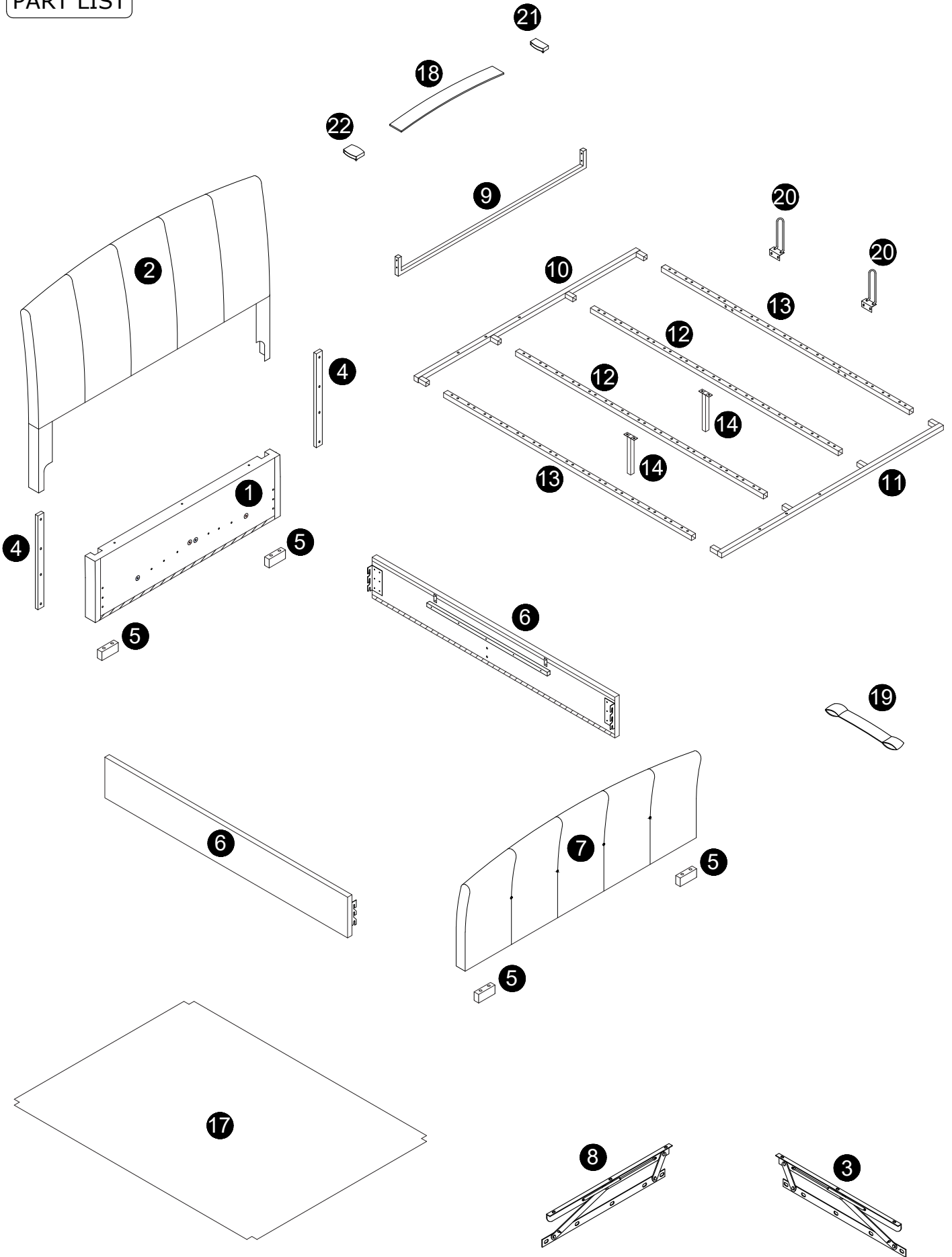


## IMPORTANT NOTE

1. FOR THE PROTECTION OF YOUR FURNITURE, PLACE ALL PARTS ON A CLEAN AND SMOOTH SURFACE TO PREVENT ANY DAMAGE.
2. DO NOT USE POWER TOOLS TO ASSEMBLE THE BED.
3. PLEASE PERIODICALLY CHECK ALL FITTINGS AND RE-TIGHTEN AS NECESSARY.
4. DO NOT USE THE BED UNLESS ALL BOLTS AND SCREWS ARE FIRMLY SECURED.
5. NEED PARTS OR ASSISTANCE?
6. YOU CAN ASSEMBLE IT WITH OUR PACKAGING TOOLS OR WITH A.

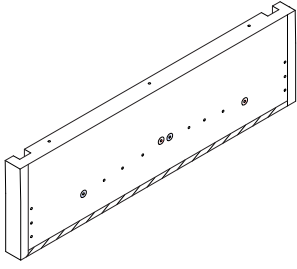


PART LIST

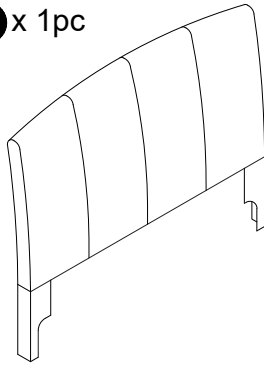


PART LIST

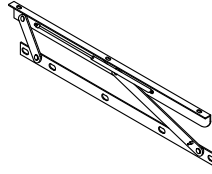
1 x 1pc



2 x 1pc



3 x 1pc



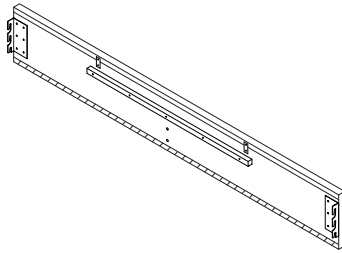
4 x 2pcs



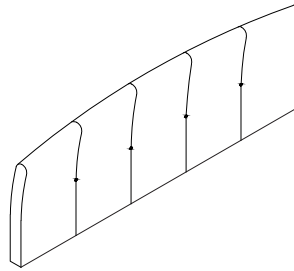
5 x 4pcs



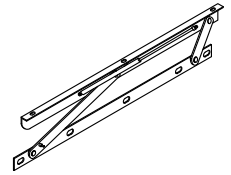
6 x 2pcs



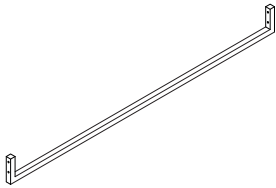
7 x 1pc



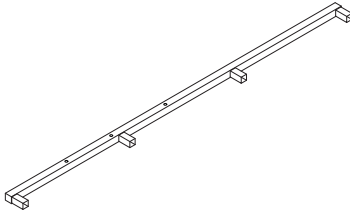
8 x 1pc



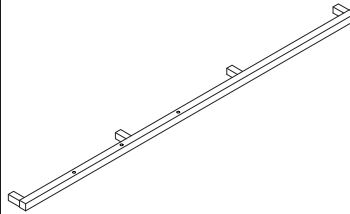
9 x 1pc



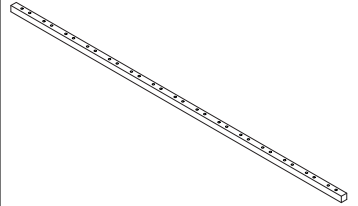
10 x 1pc



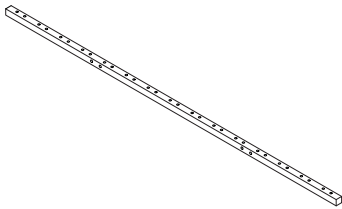
11 x 1pc



12 x 2pcs



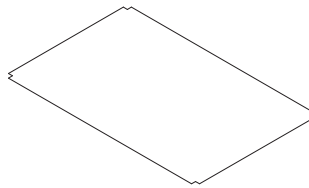
13 x 2pcs



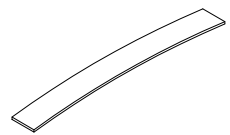
14 x 2pcs



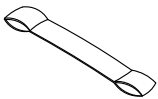
17 x 1pc



18 x 45pcs



19 x 1pc



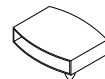
20 x 2pcs










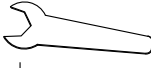





21 x 30pcs

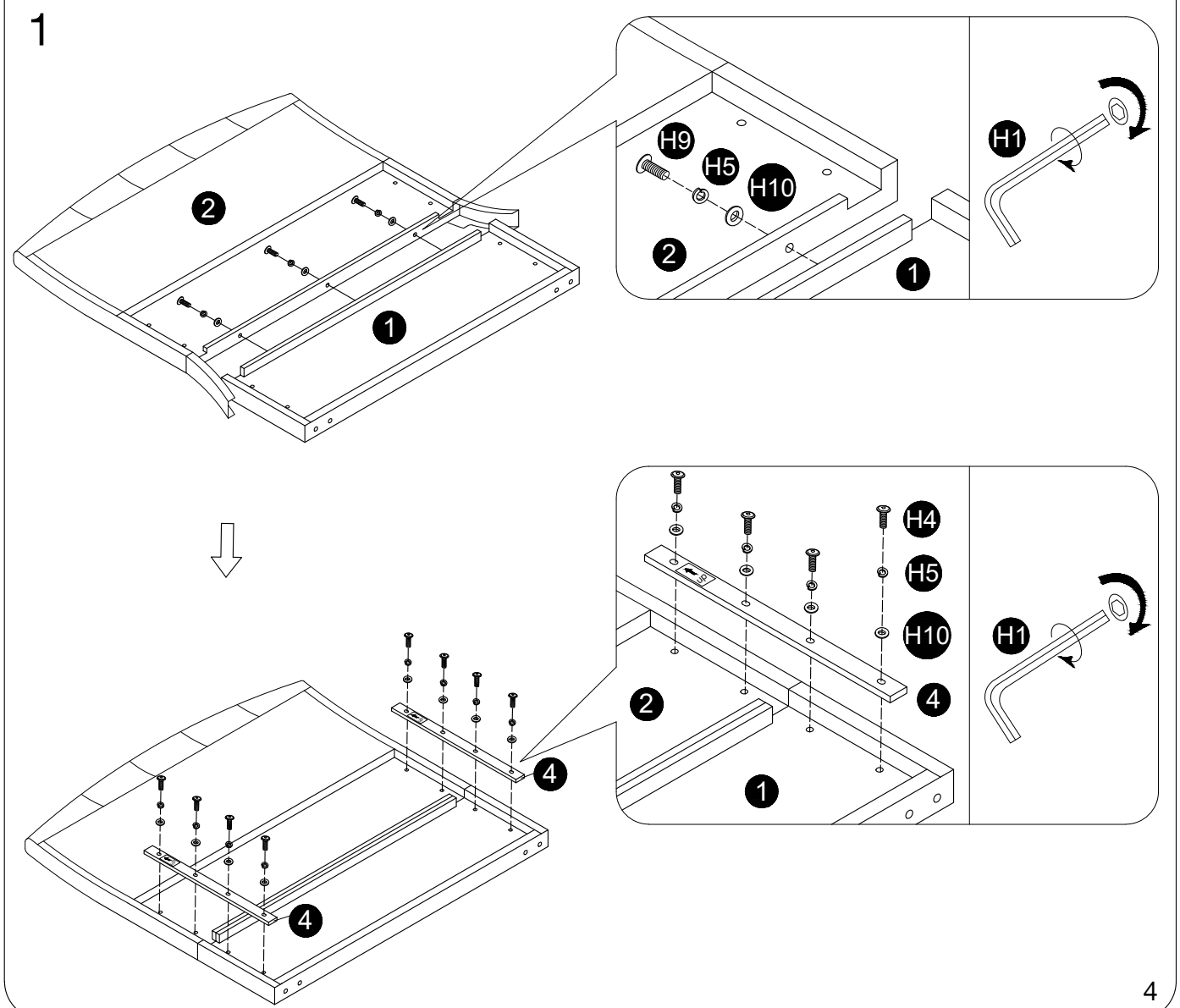


22 x 30pcs

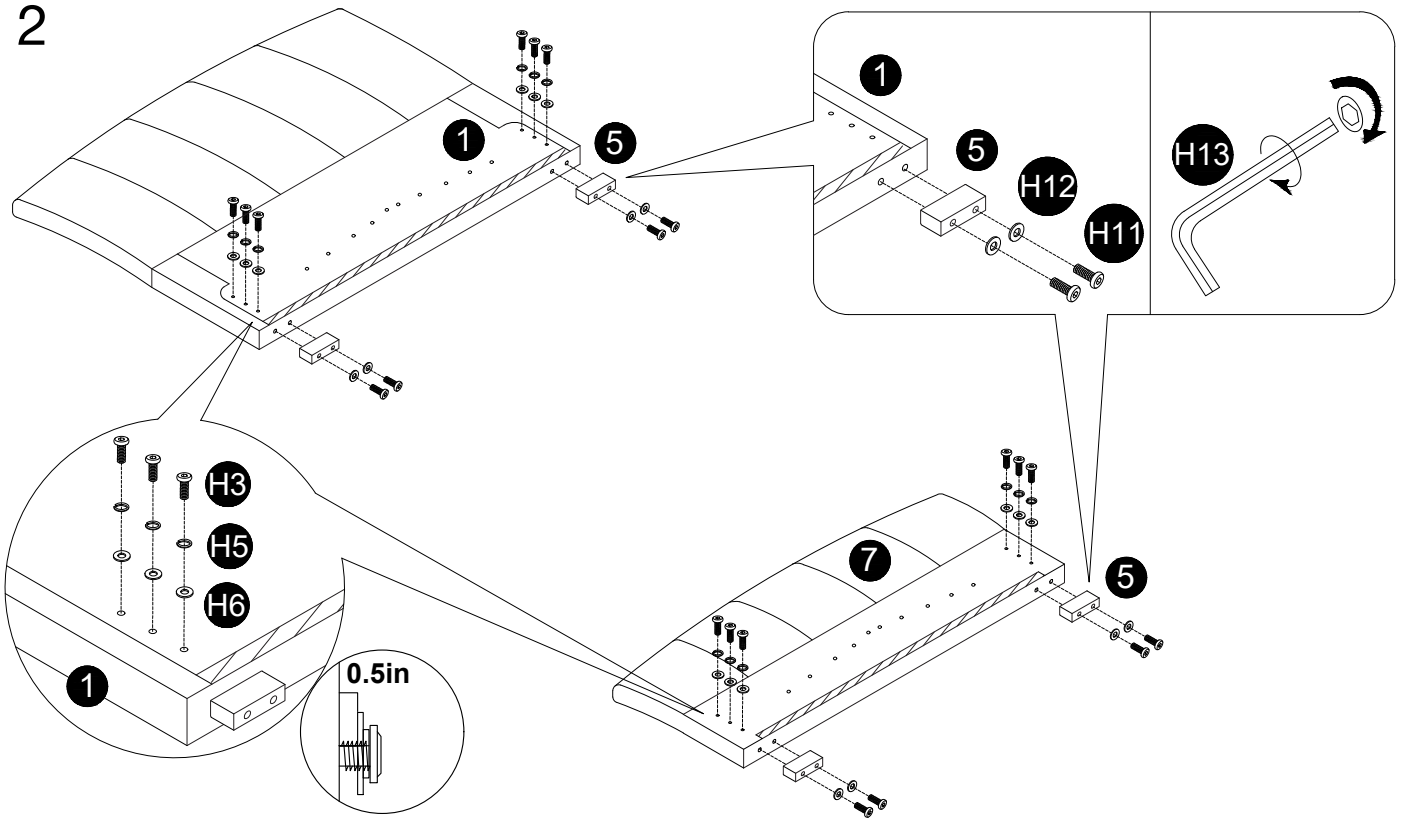


# HARDWARE LIST

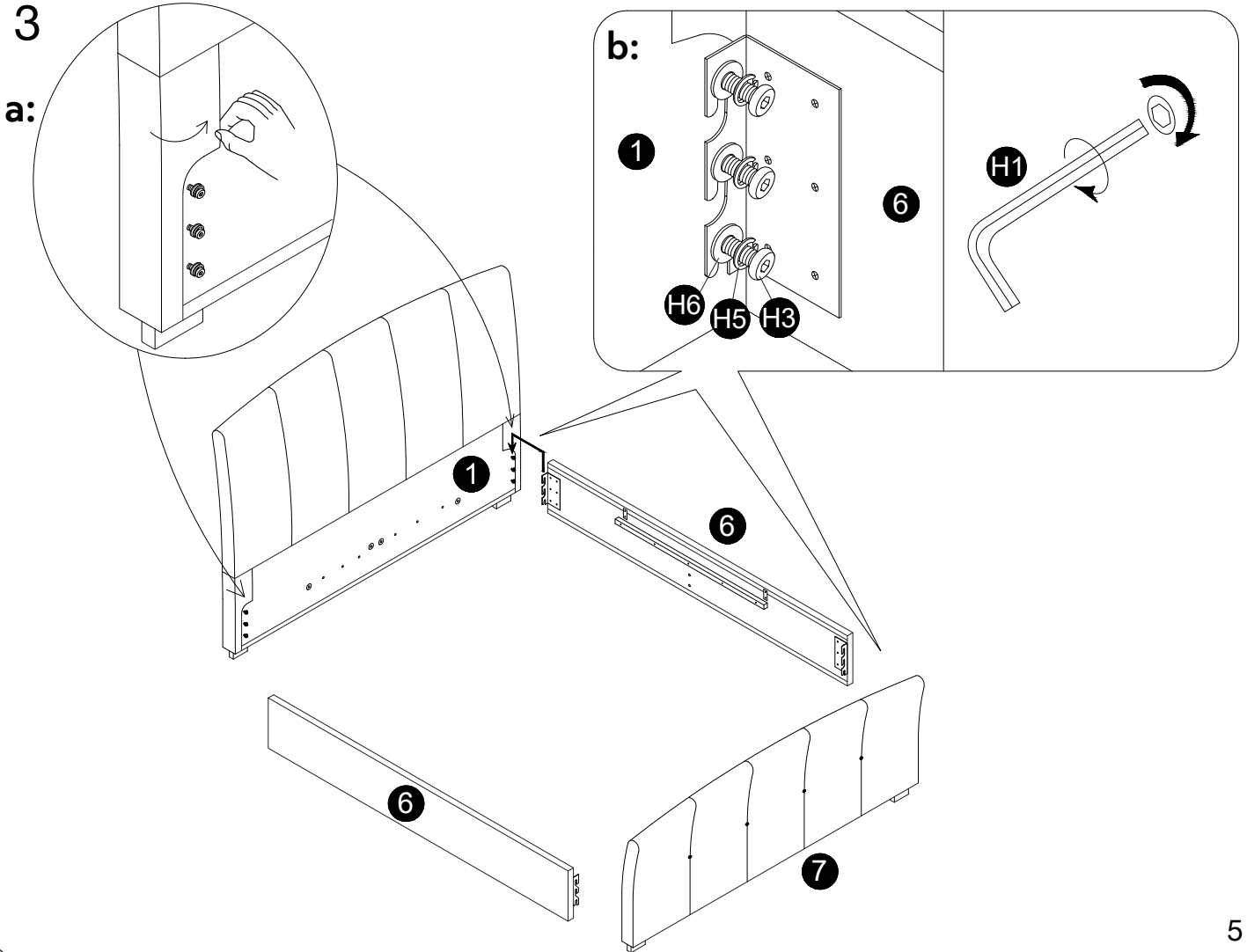
 <b>H1</b> M5 x 1pc	 <b>H2</b> M8x25mm x 24pcs	 <b>H3</b> M8x30mm x 22pcs	 <b>H4</b> M8x45mm x 18pcs
 <b>H5</b> M8 x 39pcs	 <b>H6</b> M8x17mm x 56pcs	 <b>H7</b> M8 x 6pcs	 <b>H8</b> M14 x 1pc
 <b>H9</b> M8x35mm x 3pcs	 <b>H10</b> M8x22mm x 11pcs	 <b>H11</b> M6x35mm x 8pcs	 <b>H12</b> M6x13mm x 8pcs
 <b>H13</b> M4 x 1pc			



2

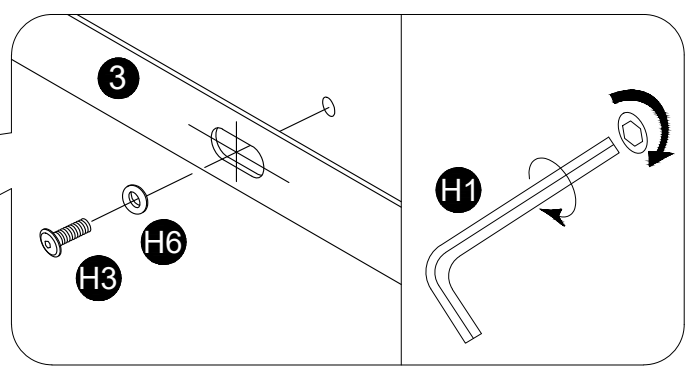
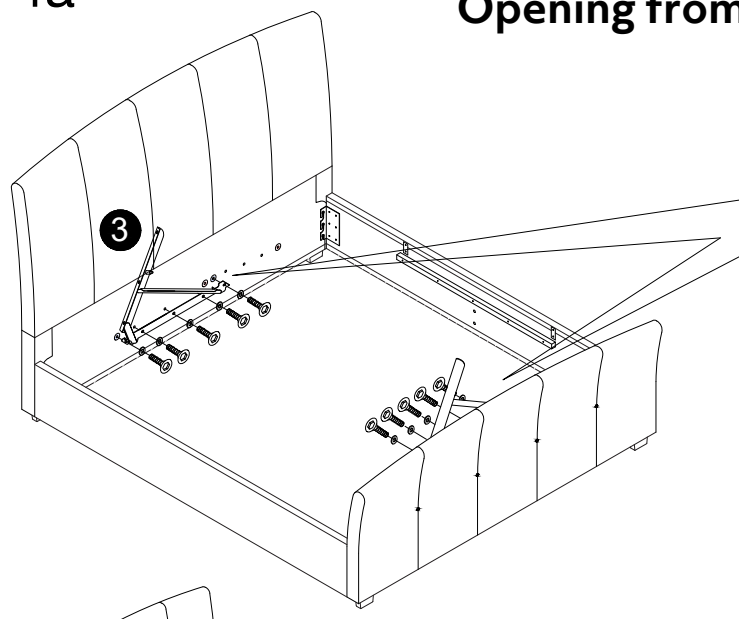


3

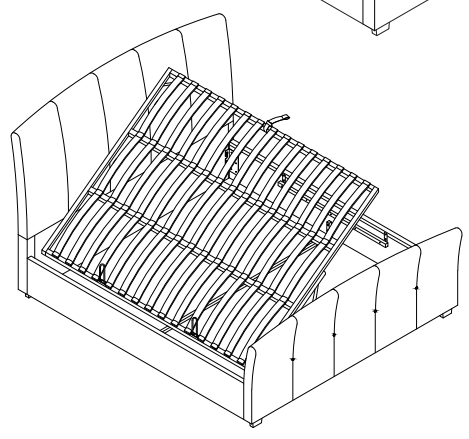


4a

### Opening from right side



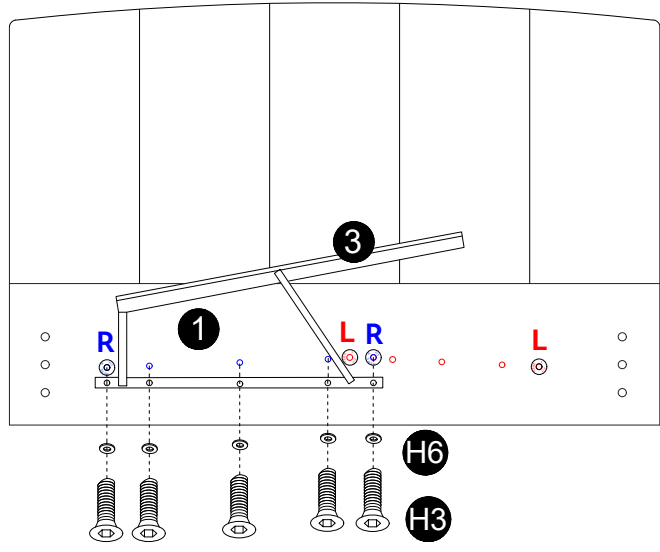
**Beware of risk of entrapment from folding hinges!**



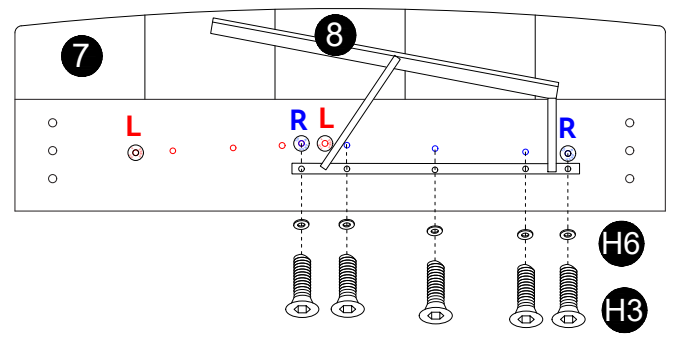
**Important**  
**Use fixing holes with blue stickers**

**King size**

**Headboard fixing holes position**

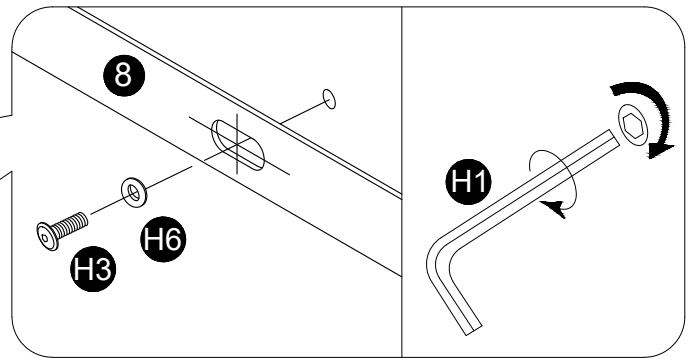
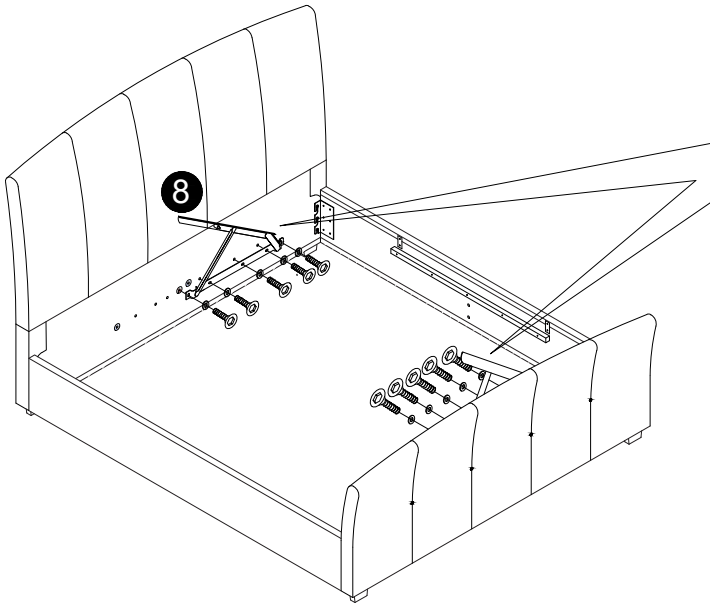


**King size**  
**Footboard fixing holes position**

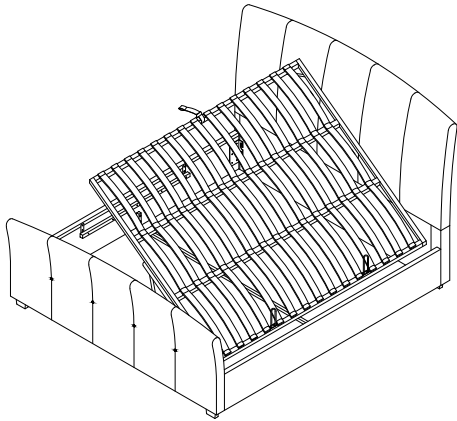


4b

### Opening from left side



**Beware of risk of entrapment from folding hinges!**

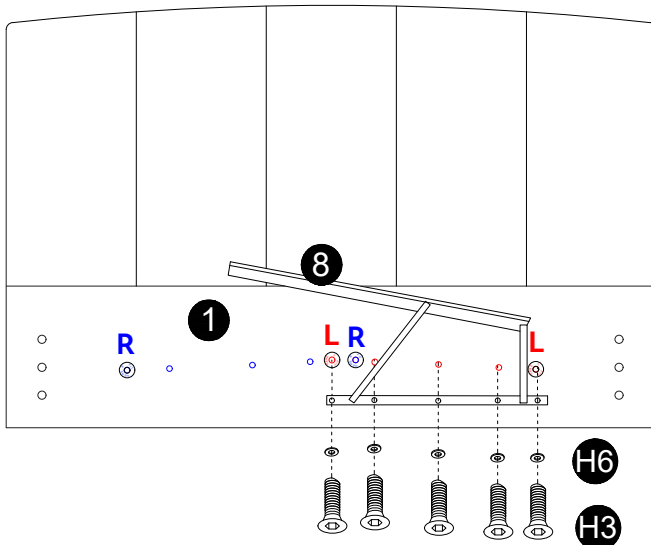


### Important

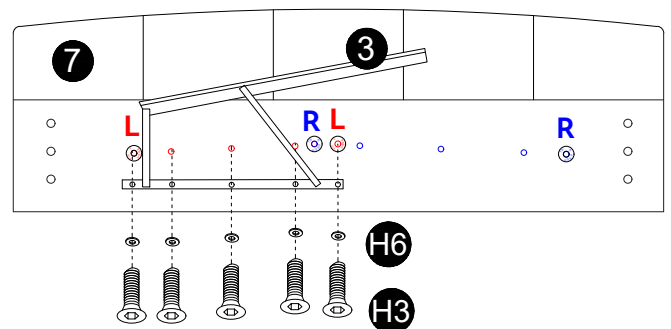
**Use fixing holes with red stickers**

**King size**

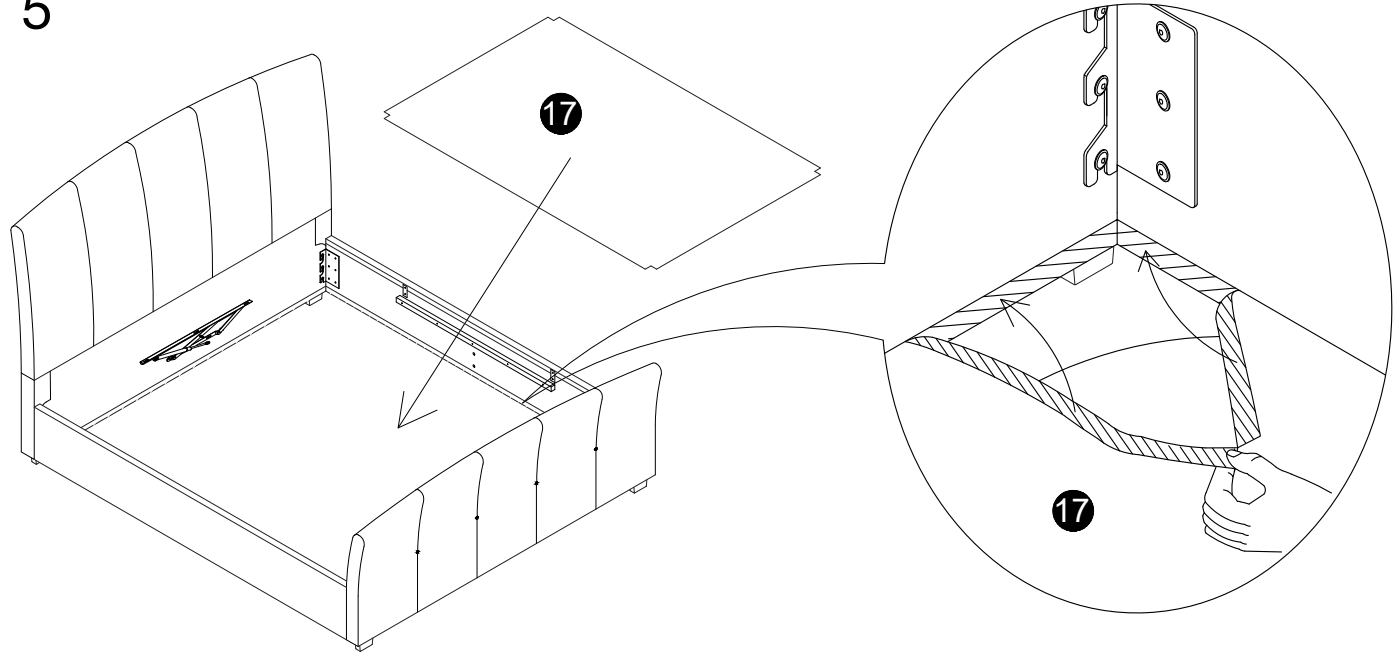
**Headboard fixing holes position**



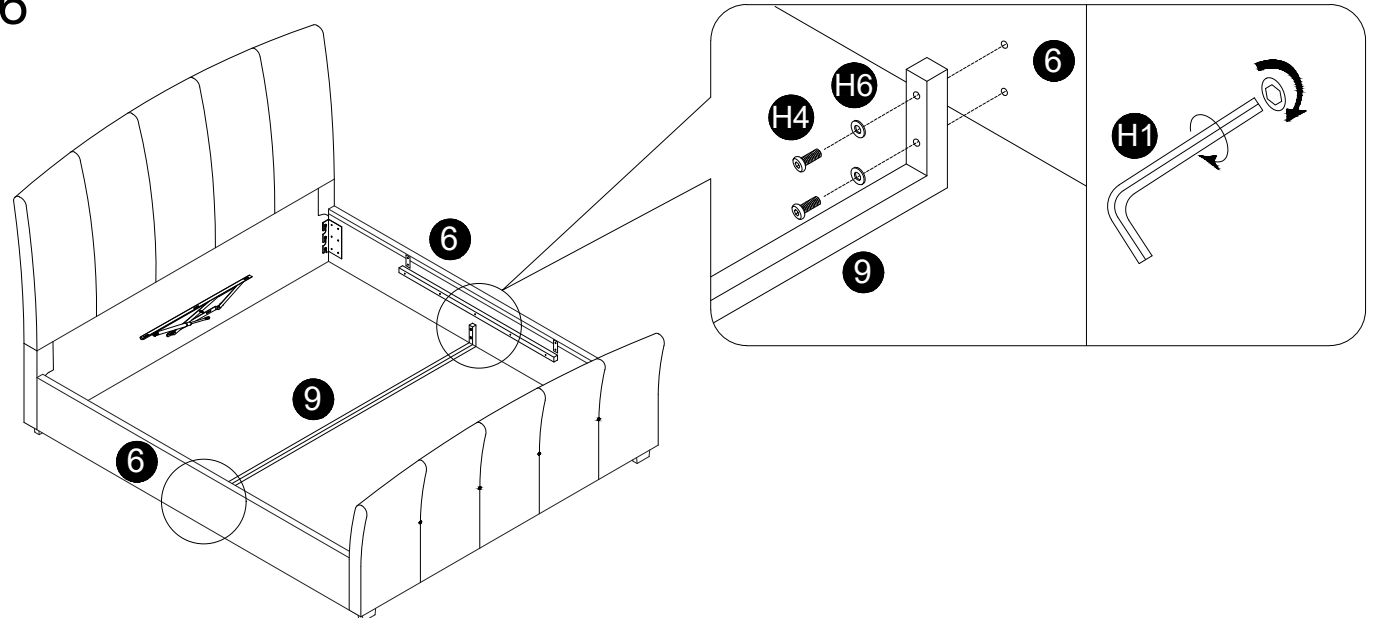
**King size**  
**Footboard fixing holes position**



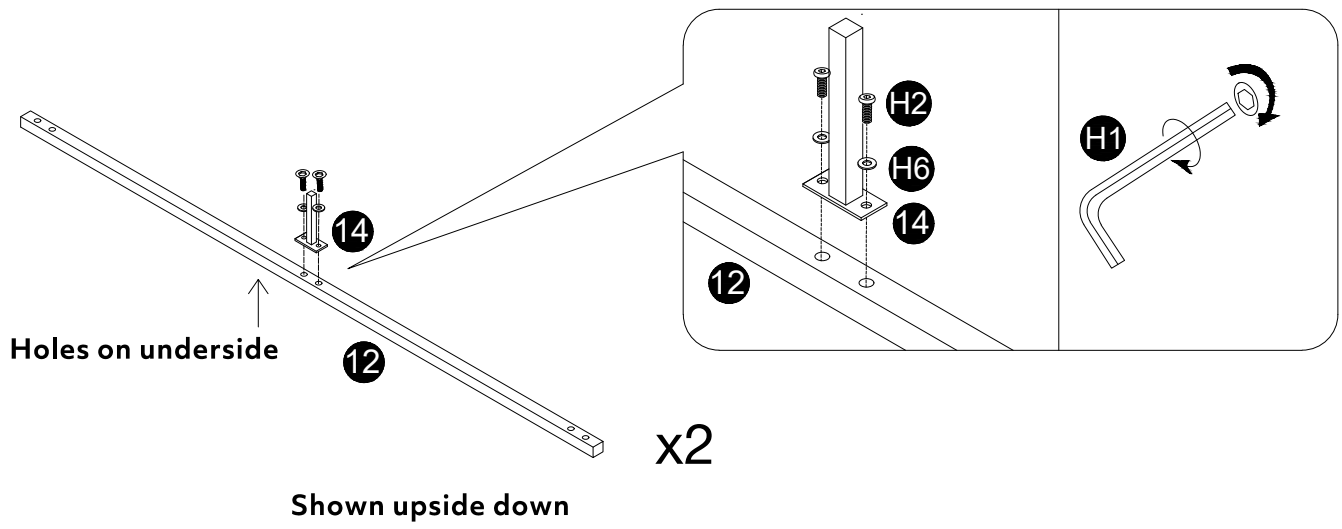
5



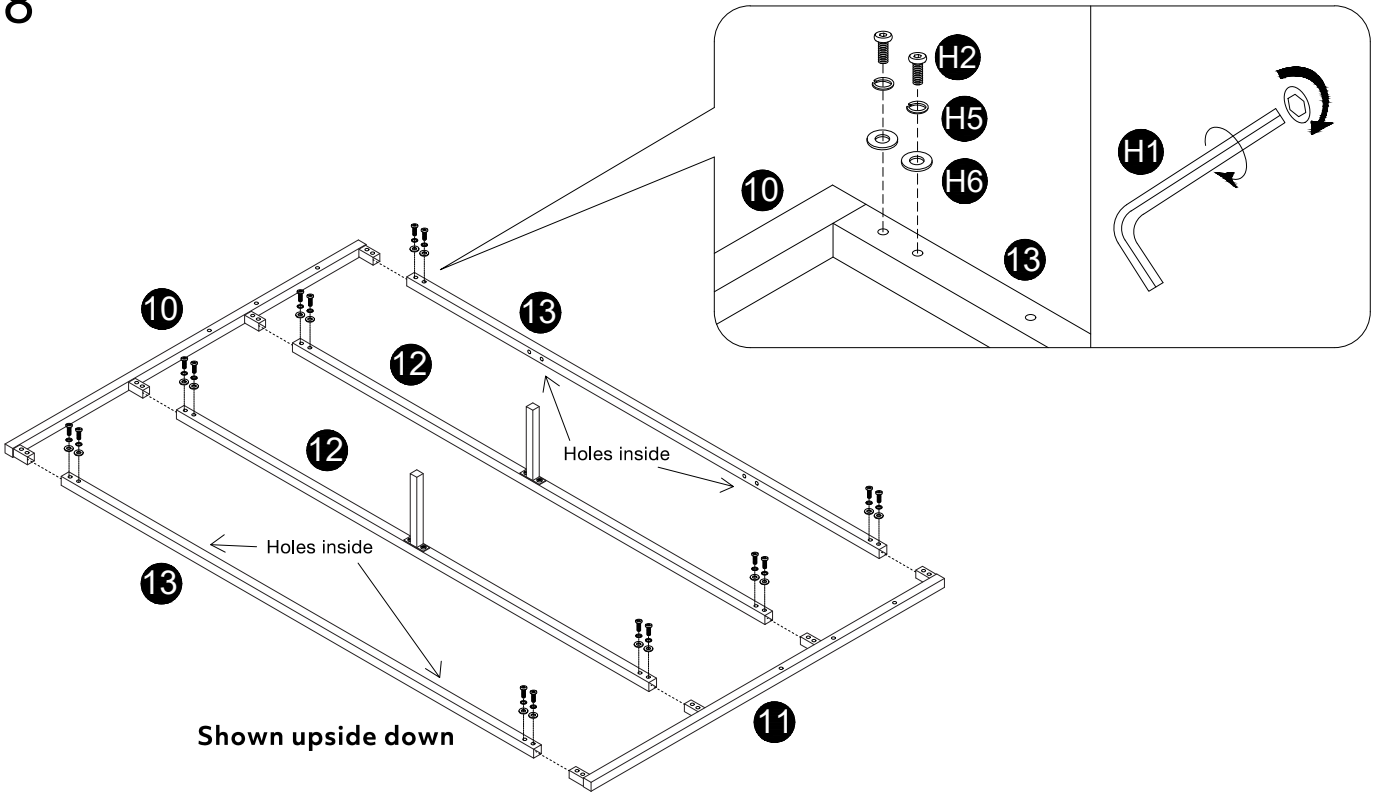
6



7

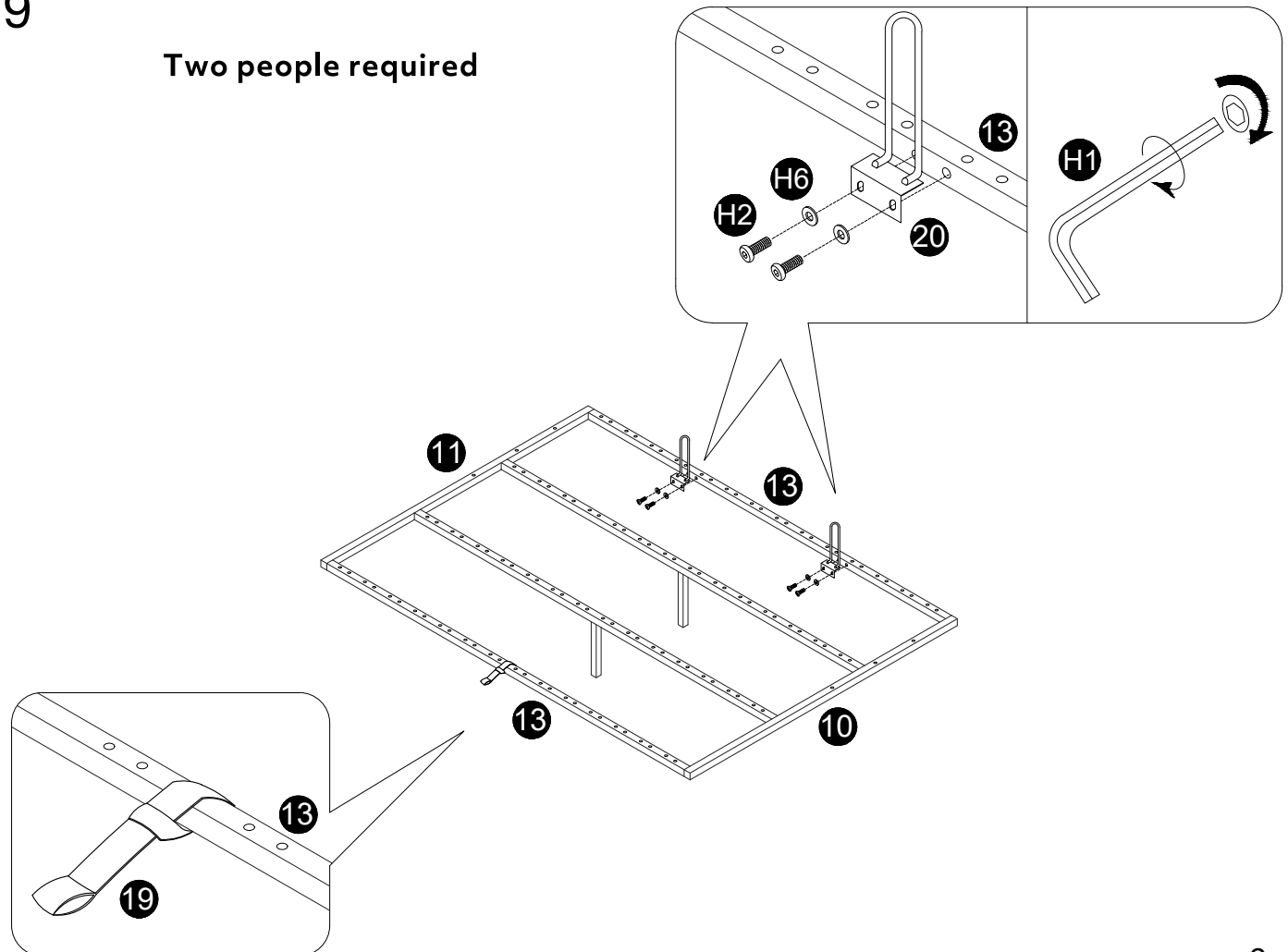


8



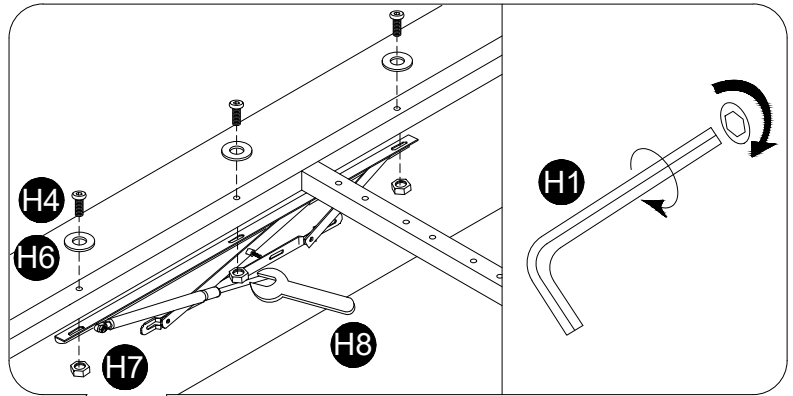
9

Two people required

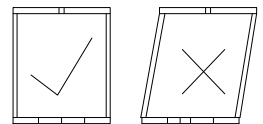
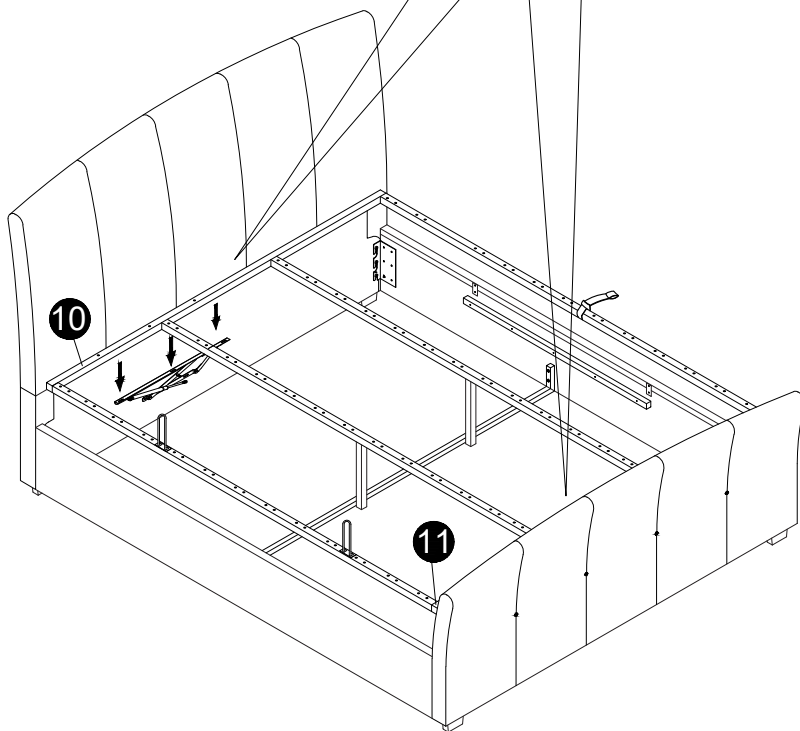


10

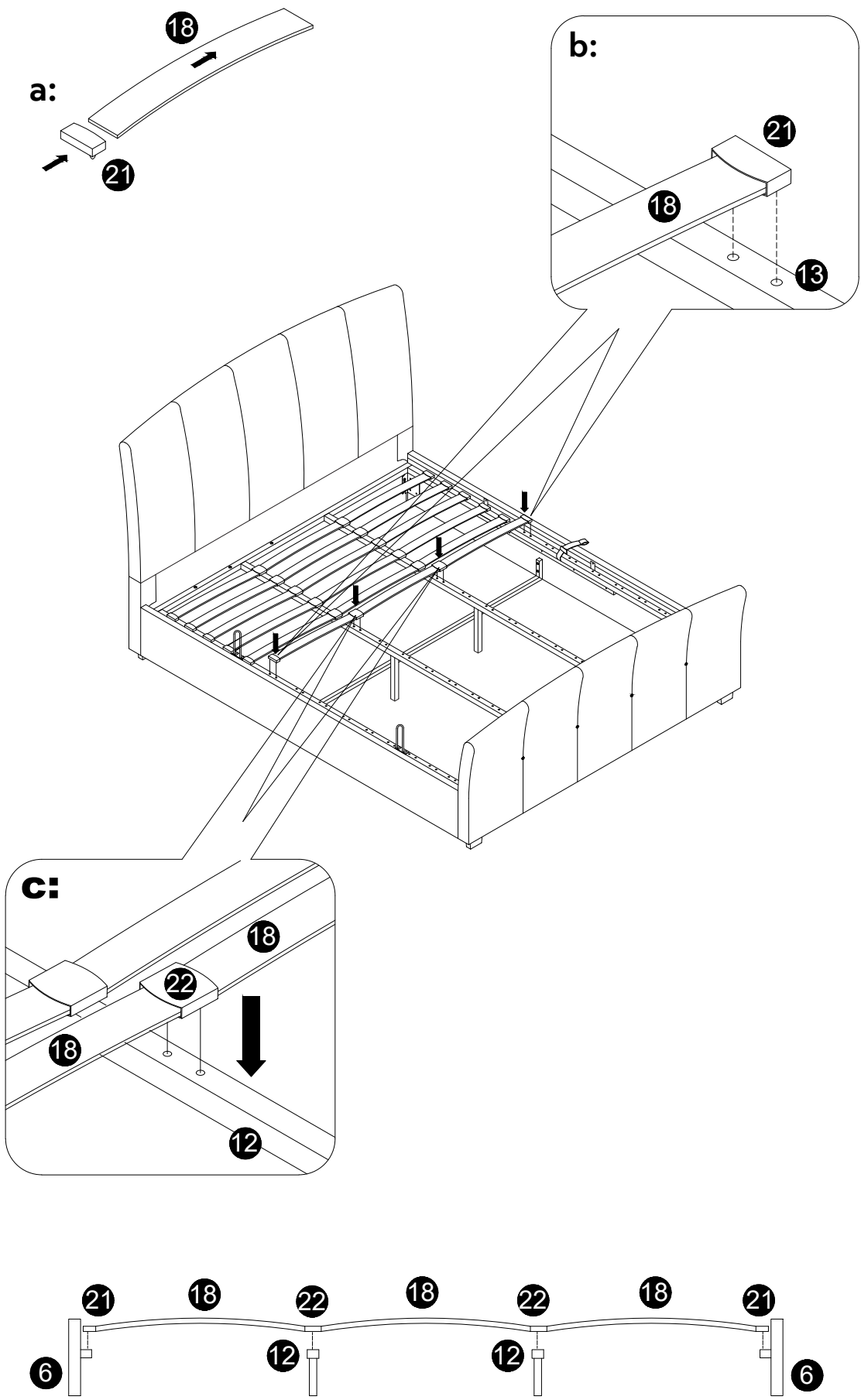
Two people required



**Beware of risk of entrapment from folding hinges!**

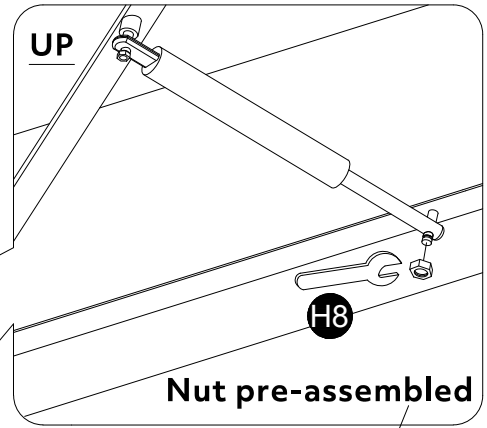
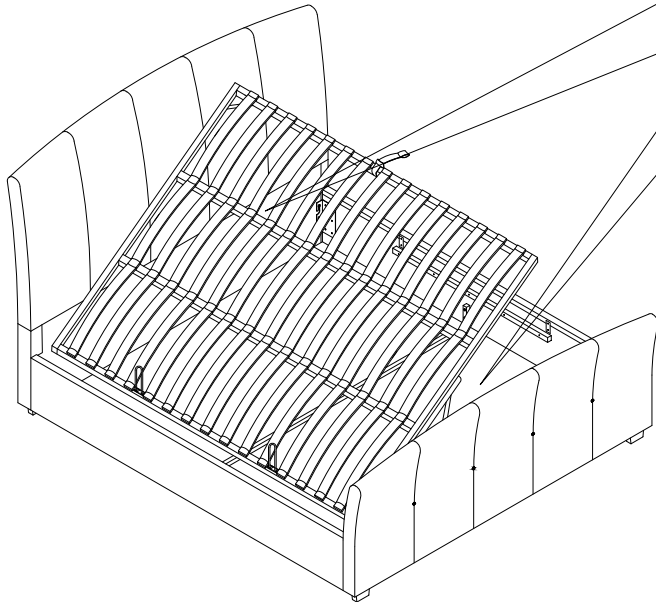


**Ensure frame is square**



12

**Warning: Two people required.  
Frame to be fully supported at all times!**



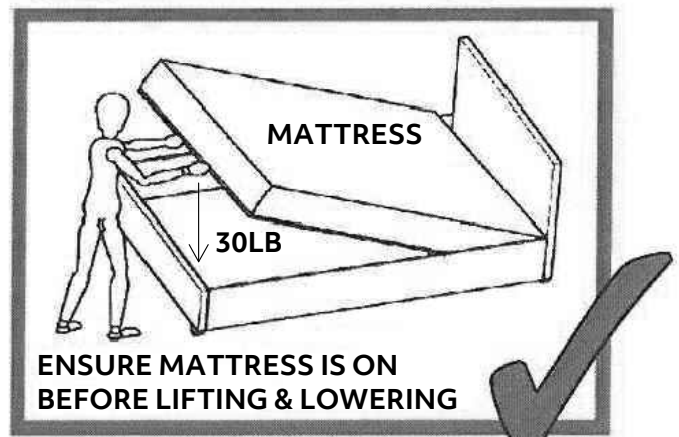
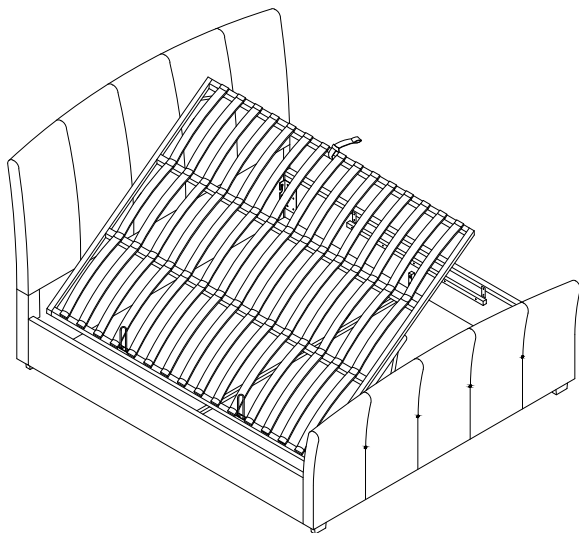
**Repeat both sides**

**Important:**

Before proceeding, check and ensure all screws and fixings are fully tightened.

13

**After placing the mattress on frame,  
push down the frame with 30lbs force.**



**Job Complete !**

*In the interest of our environment please dispose of all packaging thoughtfully.*