

Industrial TV Stand



IMPORTANT INFORMATION

READ CAREFULLY.

KEEP THIS INFORMATION FOR FURTHER REFERENCE.

GENERAL GUIDELINES

- Please read the following instruction carefully and use the product accordingly.
- Please keep this manual and hand it over when you transfer the product.
- This summary may not include every detail of all variations and considered steps.

NOTES

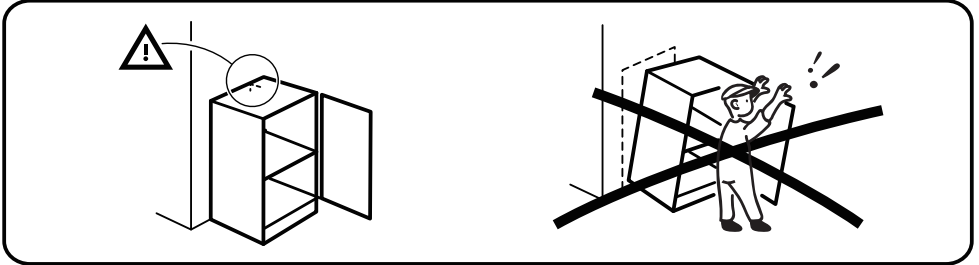
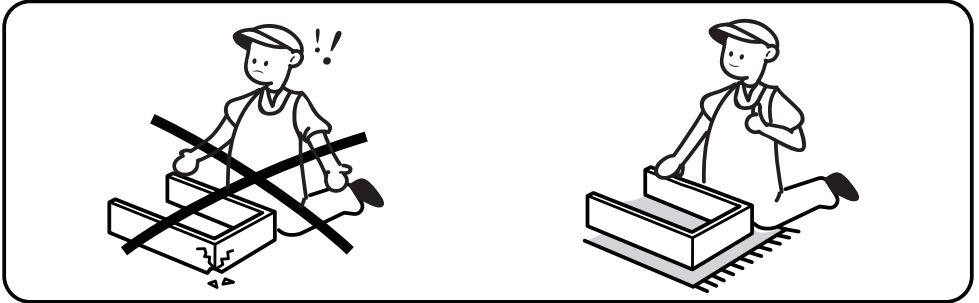
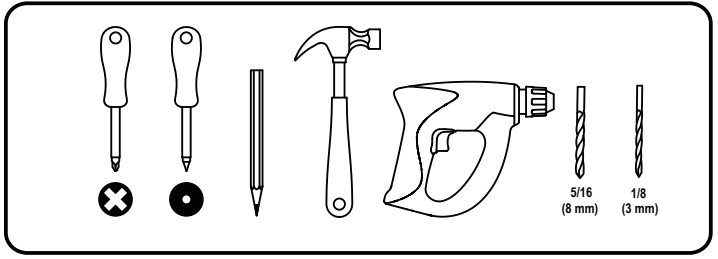
- Please follow the assembly instructions precisely and only use the product as intended.
- If an odor is present when first opening the package, please leave the unwrapped product in a shaded and ventilated area for a few days to air out.
- Prior to assembly, please check the product for defects or missing accessories. If any defects are found or accessories are missing, do not use product as damage or injury may occur;
- During assembly, please only slightly tighten all screws in their correct position first, then fully tighten them. A Philips screwdriver is recommended but not included.
- It is suggested you regularly check the products bolts and connections to ensure safe use.
- Assemble the item on a soft flat and clean surface to avoid scratches and damage.
- It is recommended that two people assemble this product.

WARNINGS

- During assembly, keep parts and packaging materials away from children and pets as there could cause injury and are a potential choking hazard.
- Avoid sharp objects or corrosive chemicals to prevent damage to the product.
- Please open the item slowly and cautiously to avoid pinching your hands by metal joints, especially children.

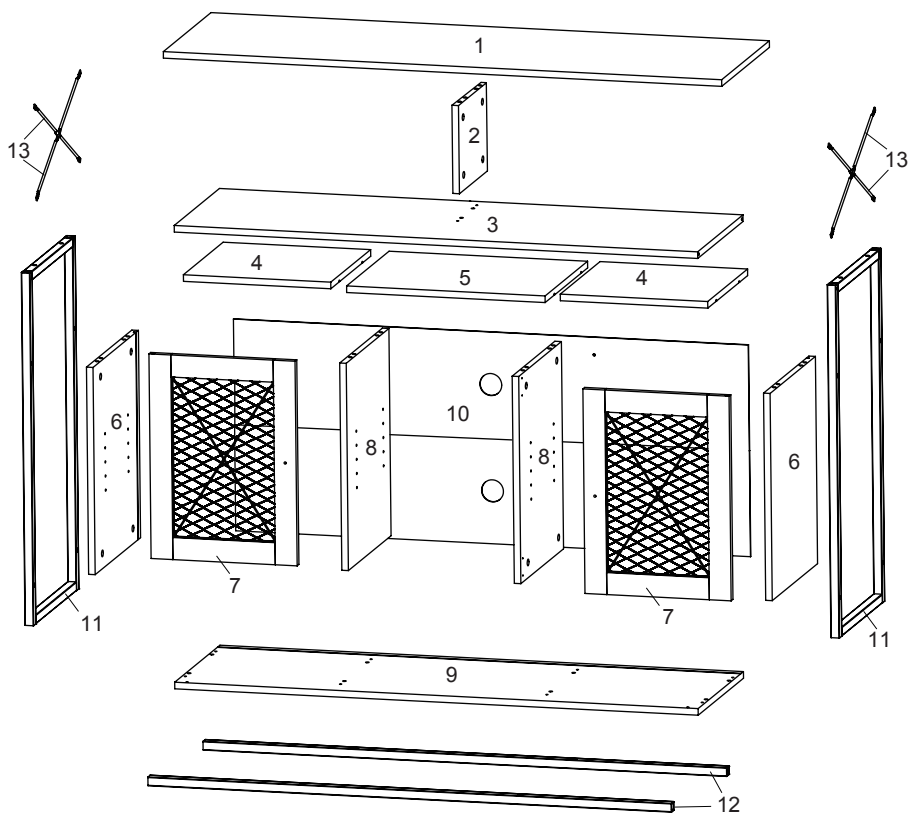
ANTI-TIP WARNING

- Serious or fatal crushing injuries can occur from furniture tip-over. To prevent this furniture from tipping over it must be permanently fixed to the wall.
- Since different wall materials require different types of fixing device, for advice on suitable fixing systems, contact your local specialized dealer.

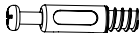


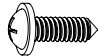
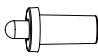






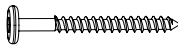


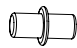


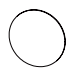



Before installation, please make sure you have all the hardware, the serial numbers are properly labeled corresponding to the list, and the quantity is correct. Enjoy your new purchase!

EXPLODED DRAWING

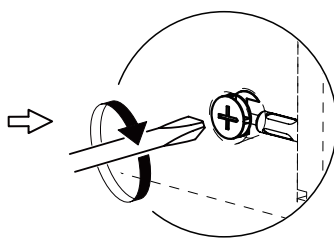
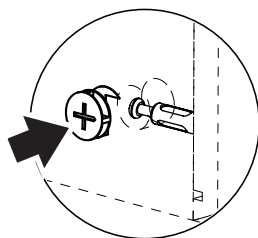
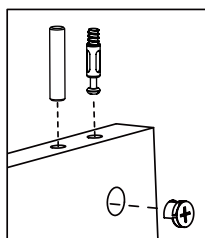


PARTS

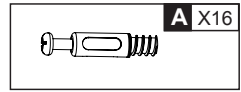
 A X20	 B X20	 C X20
 D X8 M4x12	 E X4	 F1 X2  F2 X2
 G X8 M3x11	 H X4 M6x10	 I X8 M6x28
 J X4 M6x40	 K X4 M5.5x40	 L1 X2  L2 X2
 M X12	 N X4	 O X1
 P X12	 Q X1	

REMARK

MINIFIX POSITION

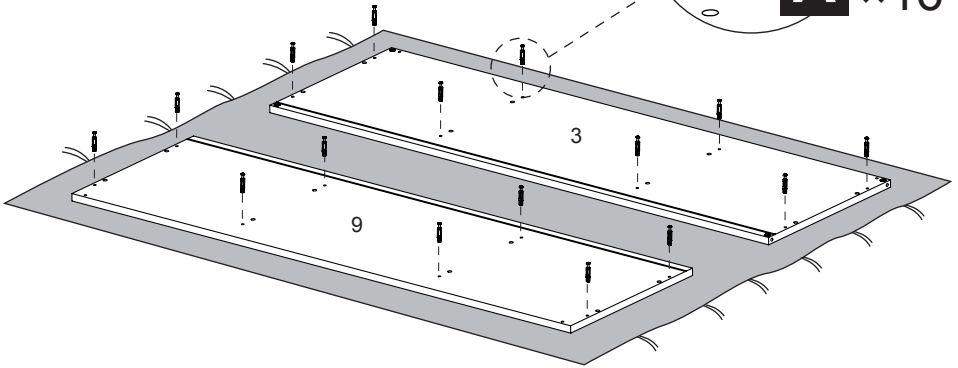
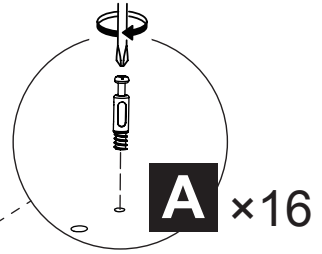
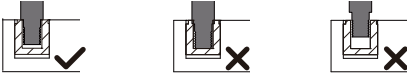


1

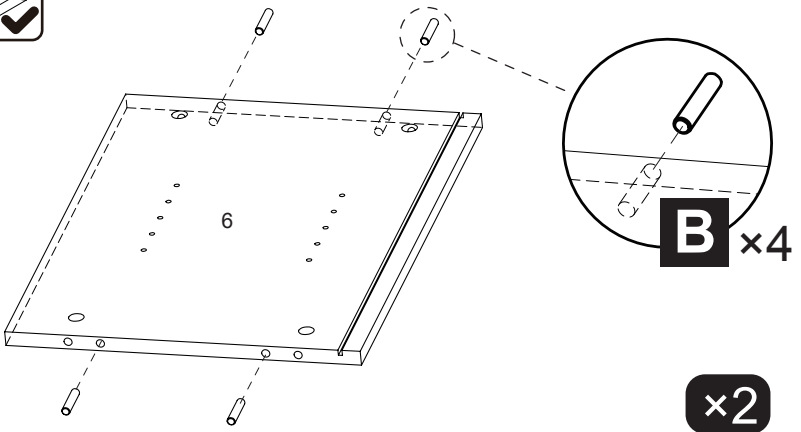
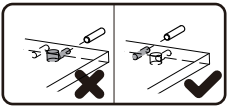
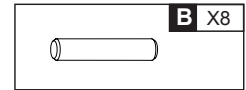


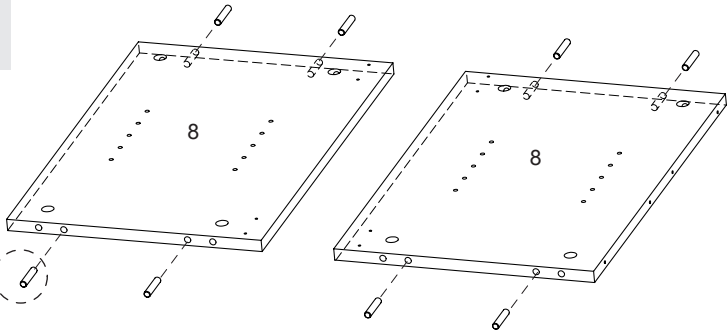
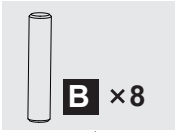
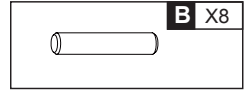
REMARK

1. Put a blanket under the board to avoid scratch or damage.
2. Please do not screw **A** too deep or too shallow.

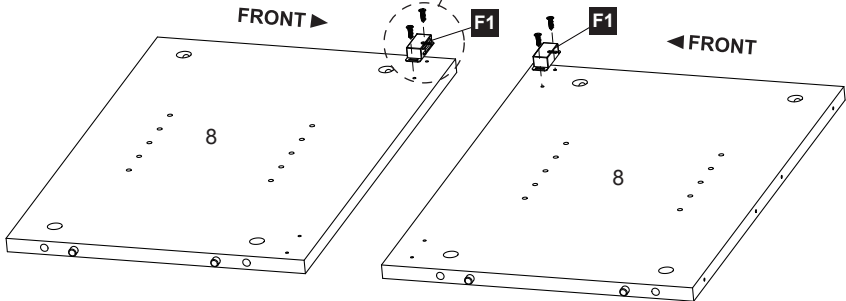
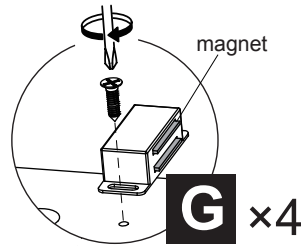
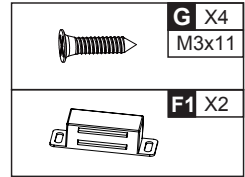


2



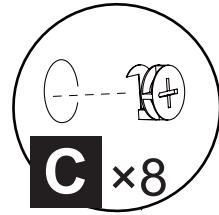
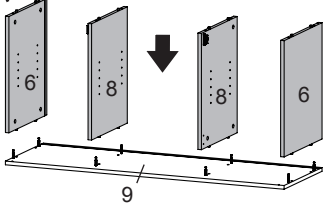
3**4****REMARK**

You can adjust the magnet to the right position through the oval hole to make a good connection with doors.

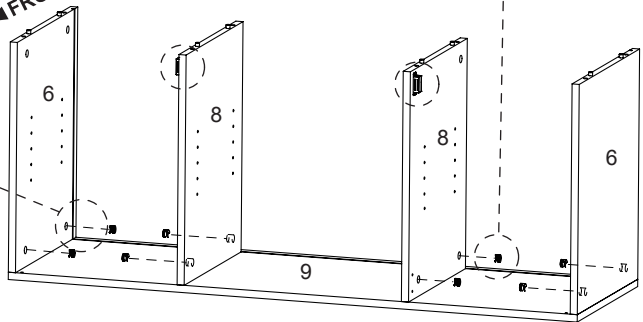
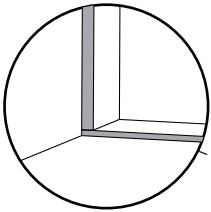


5**C** X8

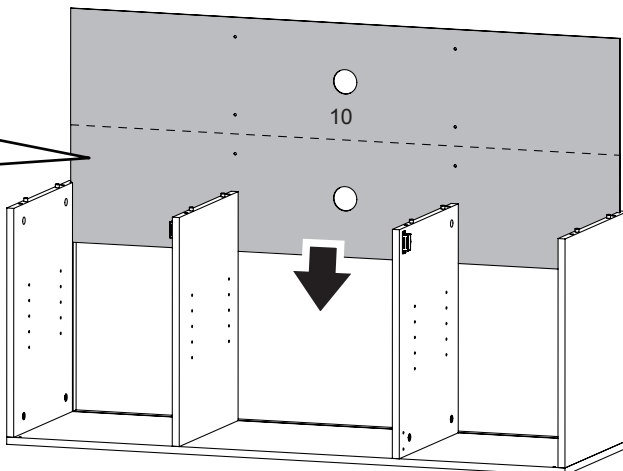
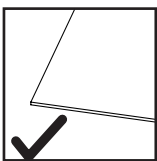
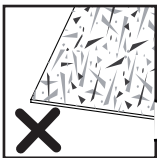
◀ FRONT



◀ FRONT

**REMARK**

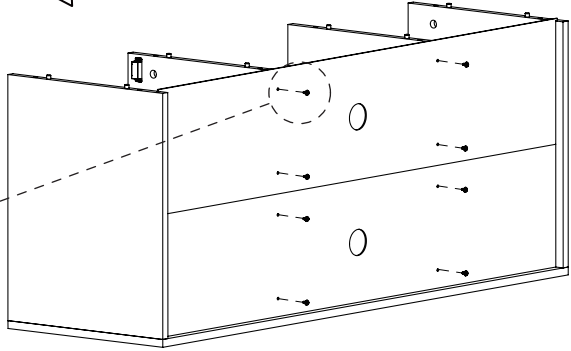
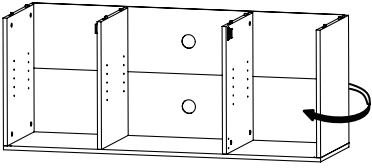
Let the grooves on part **6** be connected to the groove on part **9**.

6

7



D X8
M4x12

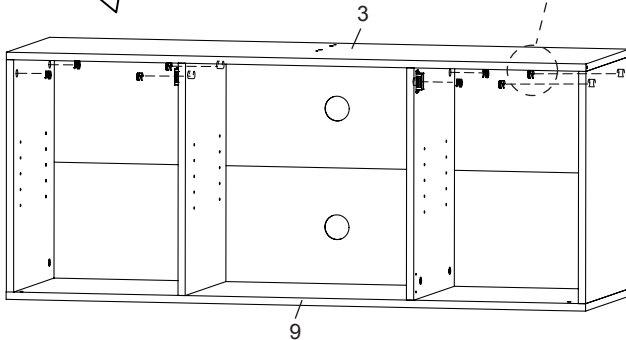
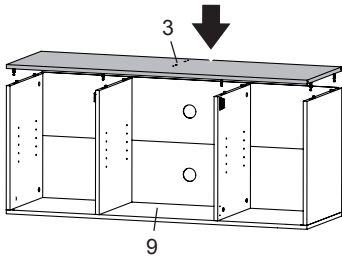


D x8

8

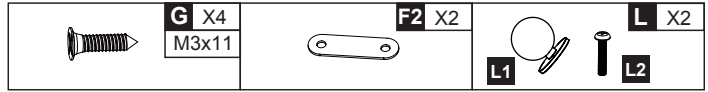


C X8



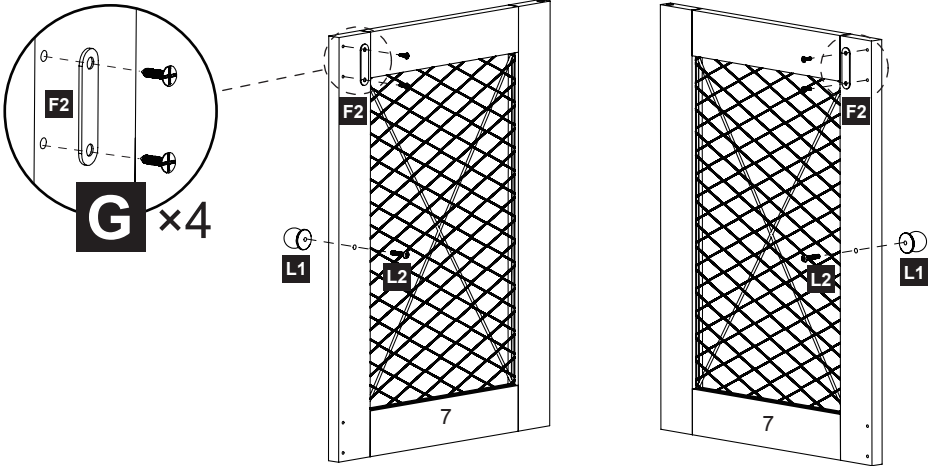
C x8

9

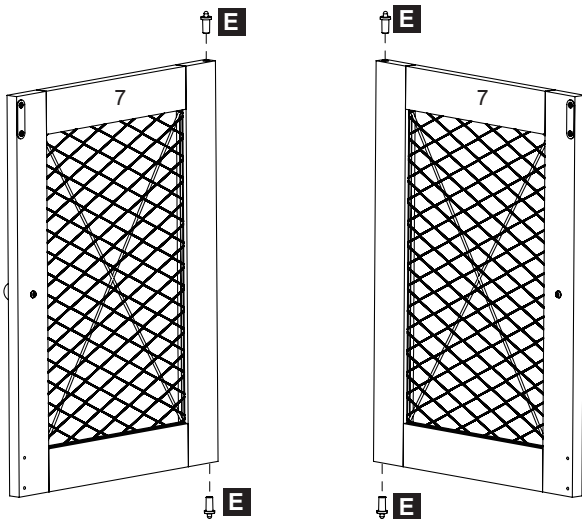
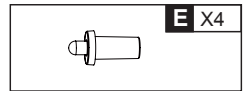


REMARK

Install the right side of the cabinet door, with the magnetic catch installed in the upper right corner of the door. Install the left side of the cabinet door with the lead magnetic catch installed in the upper left corner. (As shown in the picture)



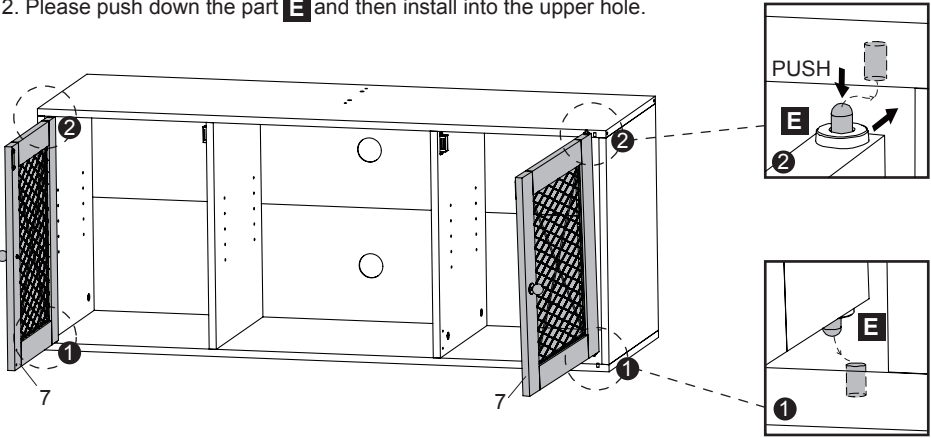
10



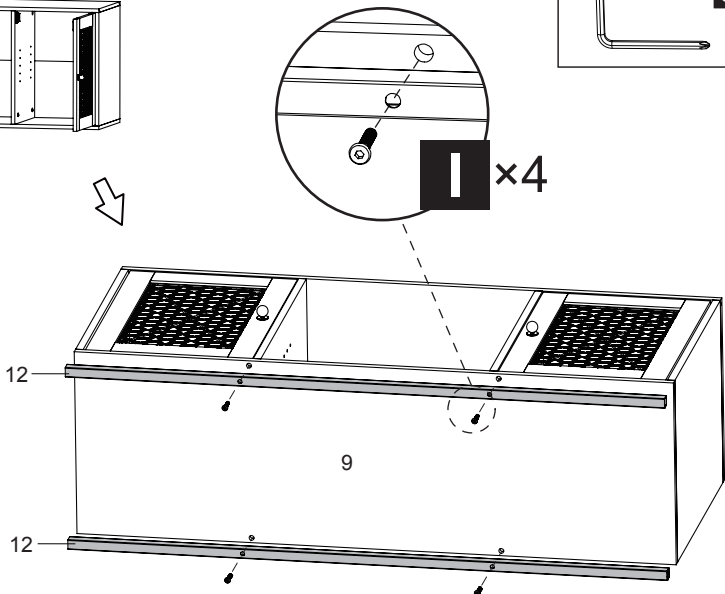
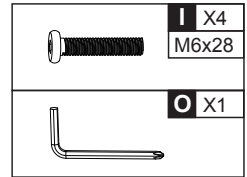
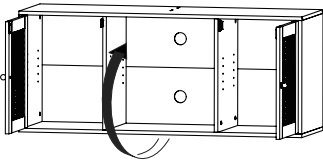
11

REMARK

1. Please install part **7** in the order shown in the picture. Install the bottom part first and then the upper part.
2. Please push down the part **E** and then install into the upper hole.



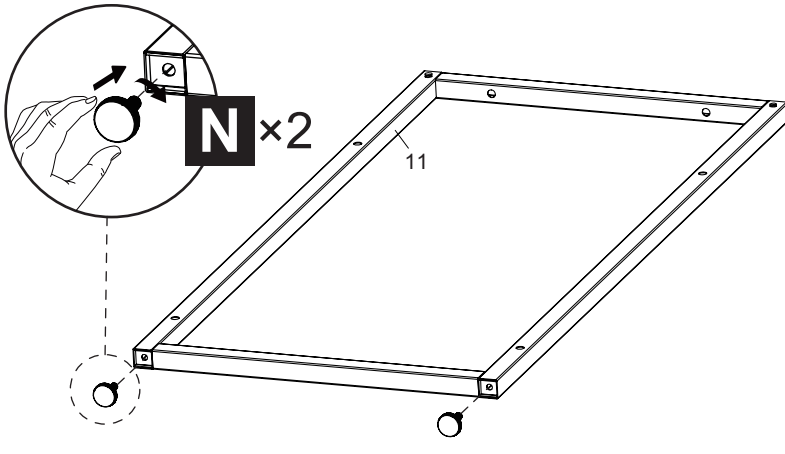
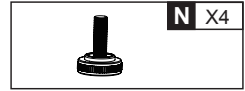
12



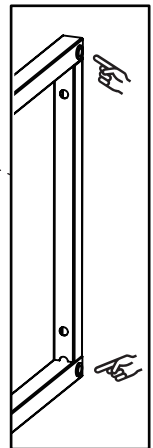
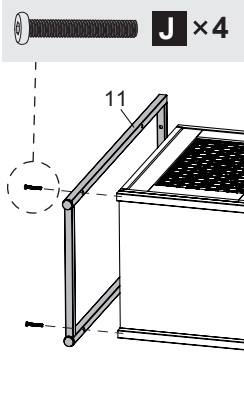
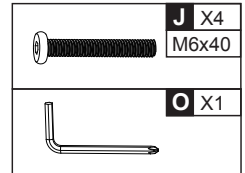
REMARK

Please do not fully tighten screws until all screws are in place.

13



14





REMARK

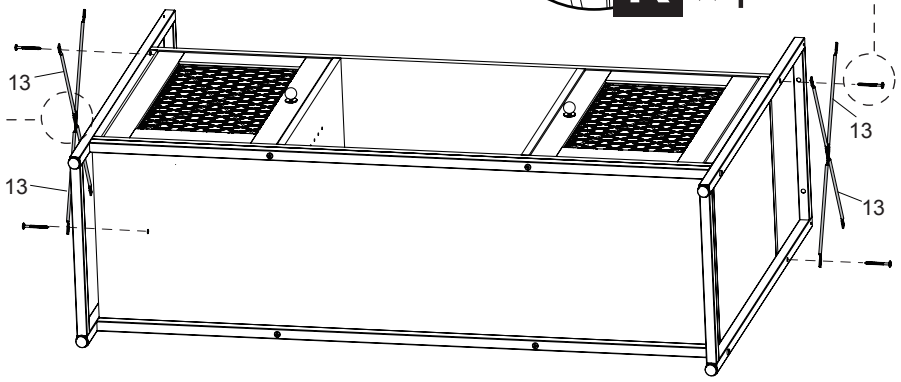
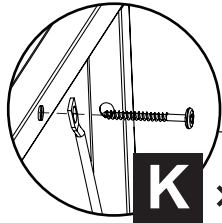
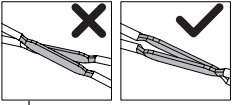
1. Install Part 11 with the hole facing outside.
2. Please do not fully tighten screws until all screws are in place.

15

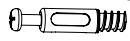
REMARK

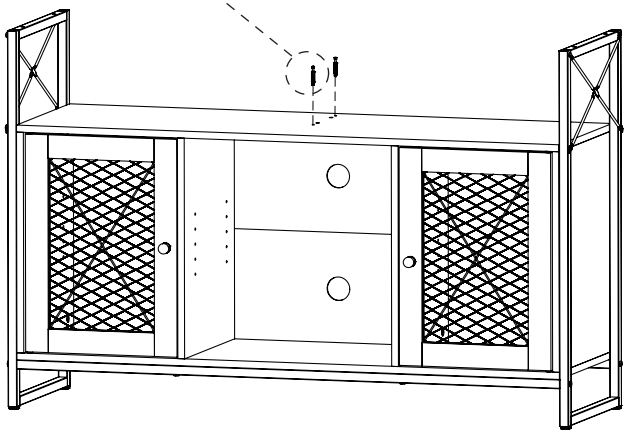
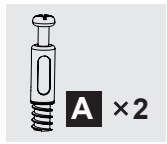
Please do not fully tighten screws at this step.

	K X4 M5.5x40
	O X1

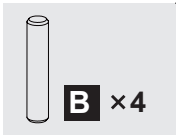
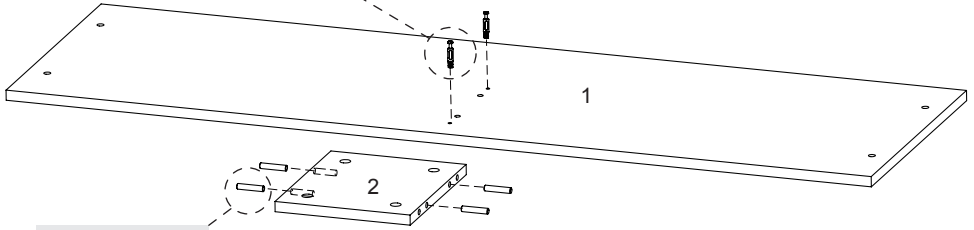
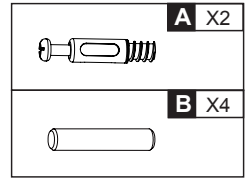
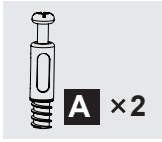


16

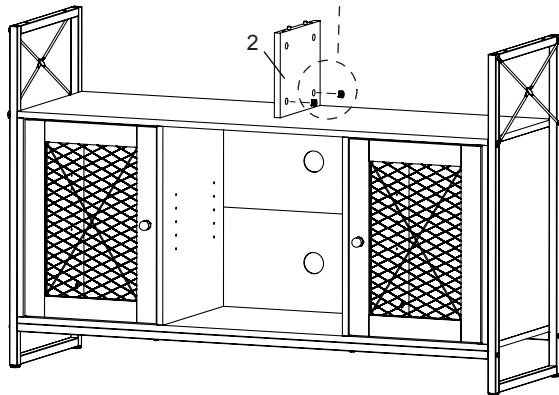
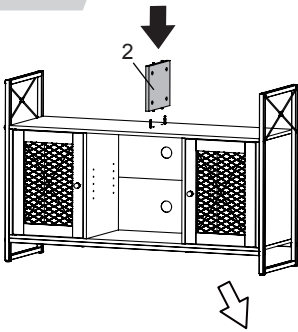
	A X2
---	-------------



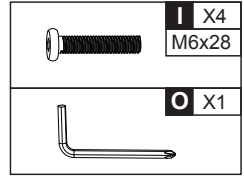
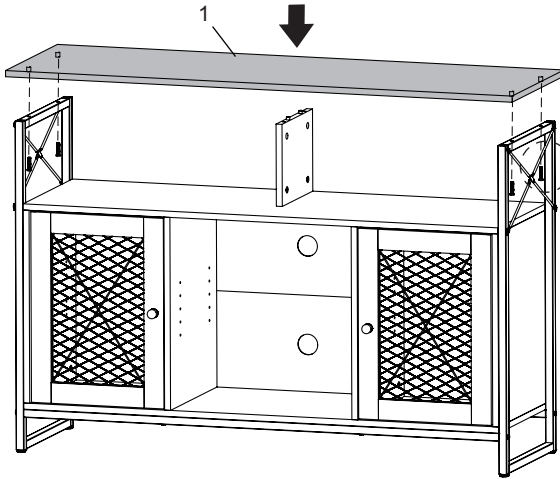
17



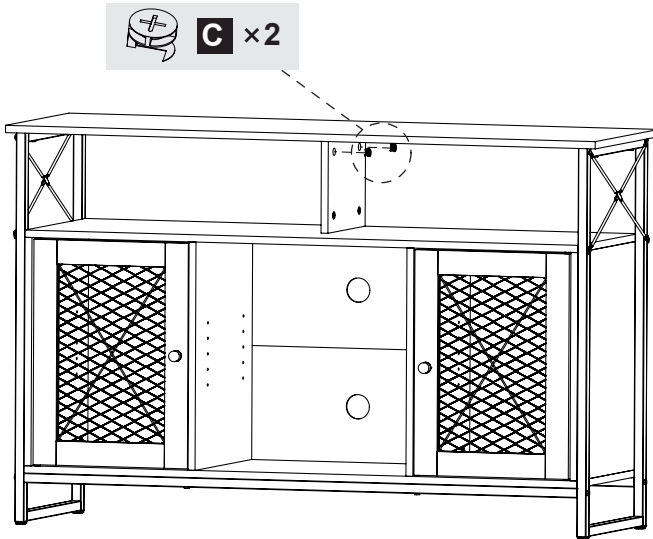
18



19



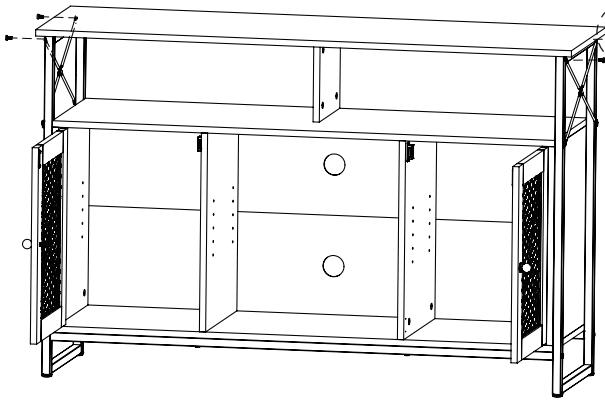
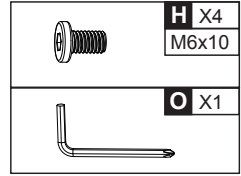
20



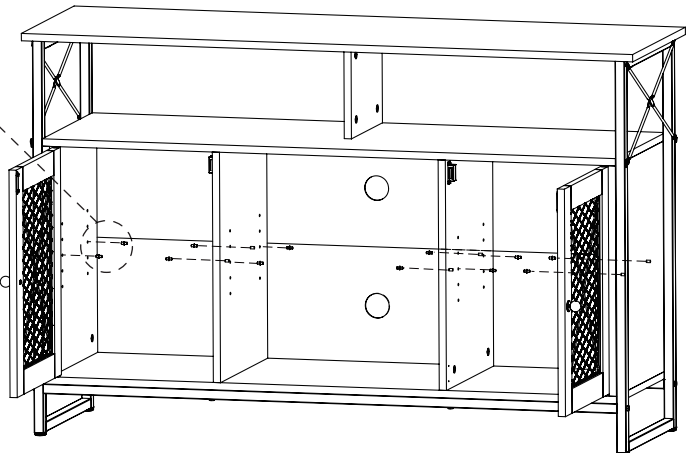
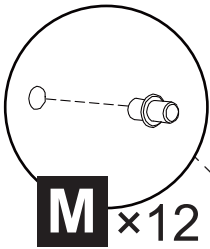
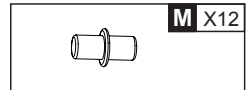
21

REMARK

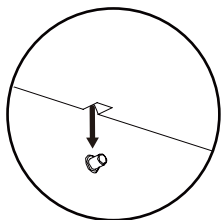
Please fully tighten all the screws after they are in right place, including those in **Step15**.



22

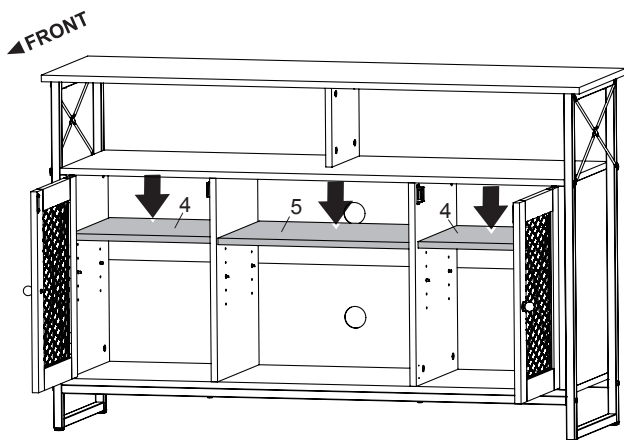


23

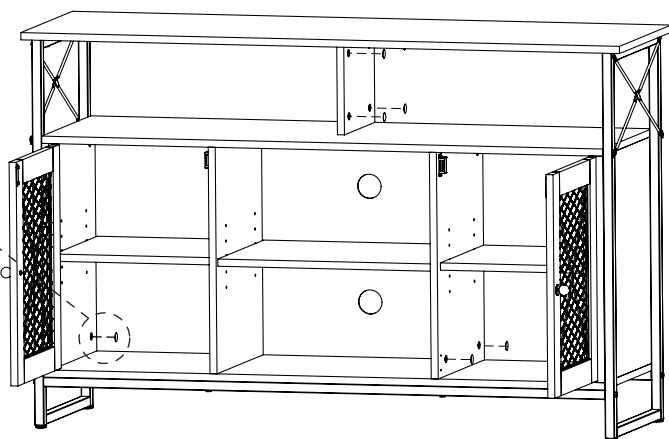
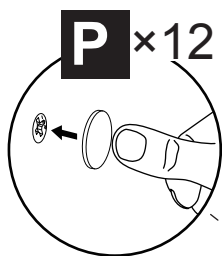
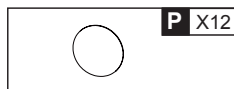


REMARK

Please make the groove on board **4** and **5** match with the part **M**.



24





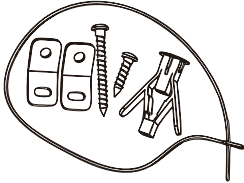
WARNING

ANTI-TIPPING DEVICE

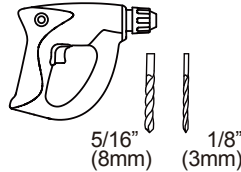
WALL ANCHORING GUIDE

The hardware you should use to secure your furniture to the wall depends on both the type of furniture you have and your wall material.

Attaching your furniture to cavity wall with anti-tipping device



Anti-tipping device bag



Electric drill (not provided)

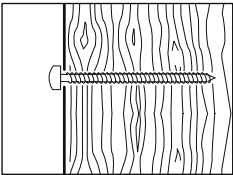


Fixing hole (round)
Threading hole (oval)

Type of Wall Material

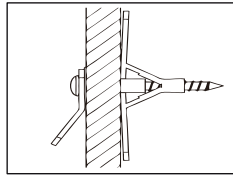
Using the guide below, identify your wall material and choose the corresponding steps.

Mark the attachment point(s) with a pencil at the appropriate height.



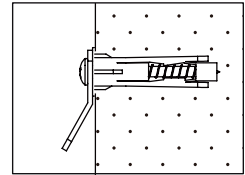
Drywall or plaster with available wood stud

- Drill 1/8-inch (3mm) diameter pilot hole(s) into the wood stud(s), at the height you marked with pencil.



Drywall without available wood stud

- Drill 5/16-inch (8mm) diameter hole(s) through the wall at the height you marked with pencil.
- Drive the plastic plug(s) into the hole(s), using a hammer if needed.



Masonry

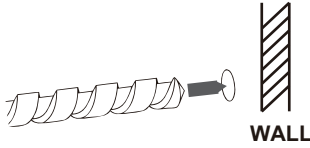
- Drill 5/16-inch (8mm) diameter hole(s) 2-inches (50mm) deep into the wall at the height you marked with pencil.
- Drive the plastic plug(s) into the hole(s), using a hammer if needed.

Follow the appropriate pictogram instructions on the following pages, drive the screw(s) with washer(s) through the brackets and tighten screw(s) firmly into the plastic plug(s) in the wall. Do not over-tighten.

If your wall material is not listed here,
or if you have any questions, consult your local hardware store.

STEP

1



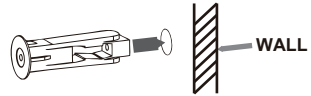
Drill a hole in the solid wall
(Wood wall or Concrete wall)

2

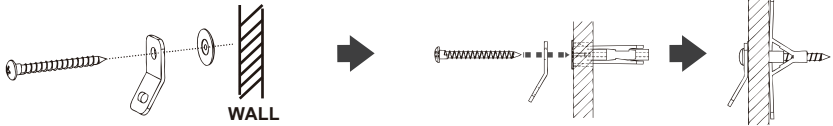
PRESS



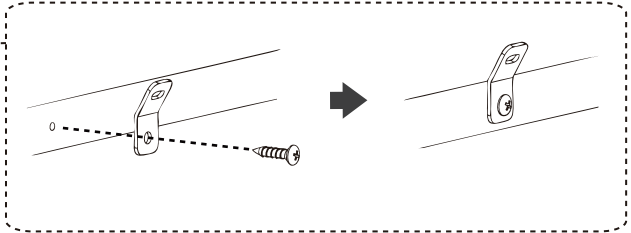
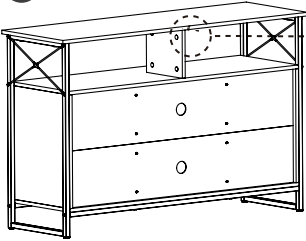
3



4



5



Tightening
the threading

