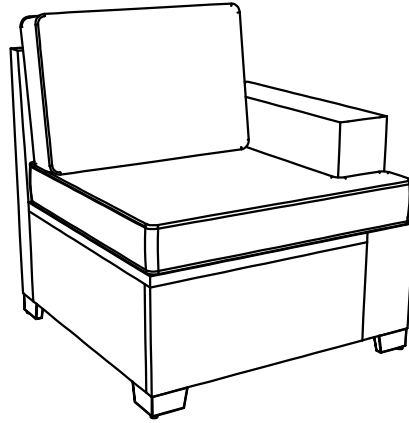


# Assembly Instruction


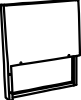

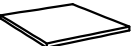



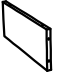








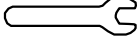
## Advice:

1. Power tools are suggested to be used during installation.
2. More than one person may be required to assemble this product.
3. The best advice is not tightening up any screws until the whole piece is assembled. If having difficulty aligning holes, loosen the screws already installed and readjust the armrest.
4. To avoid mess-up or mismatch, please use the hardware of each box to install the furniture in the same box.

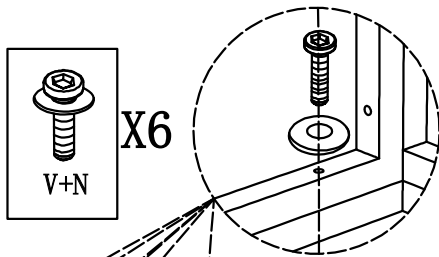


Left Arm Sofa

## Parts List

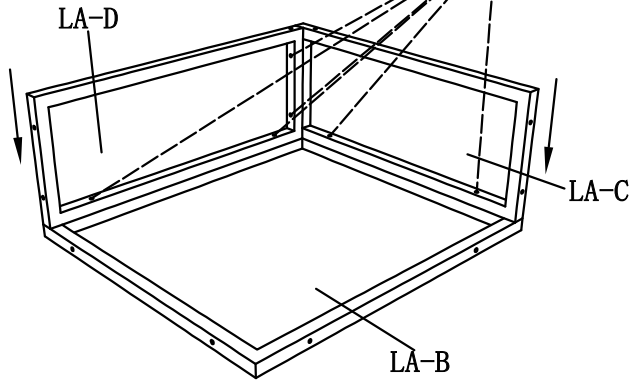
NO.	Picture	Description	QTY	F		Fastener Clip	2
LA-A		Sofa Back	1	W		Screw (M6*30)	8
LA-B		Sofa Seat	1	V		Screw (M6*35)	6
LA-C		Front Panel	1	T		Screw (M6*45)	1
LA-D		Side Panel	1	S		Screw (M6*60)	9
LA-E		Left Arm	1	N		Washer (M6)	25
LA-F		Sofa Leg	4	M		Nut (M6)	9
LA-G		Back Cushion	1	L		Allen Key	1
LA-H		Seat Cushion	1	J		Wrench (M6)	1

STEP 1

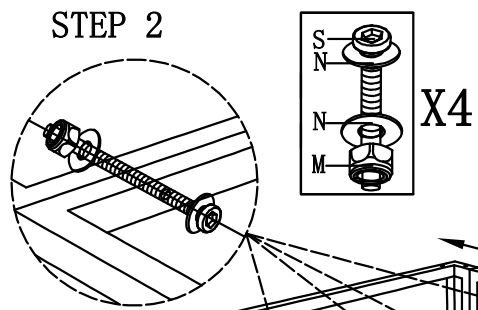


X6

V+N

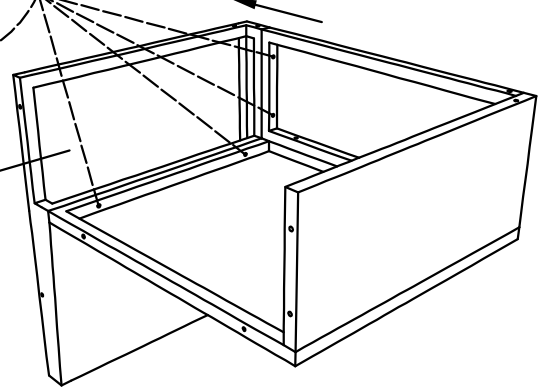


STEP 2



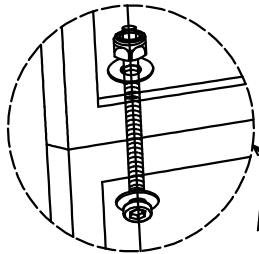
X4

LA-A

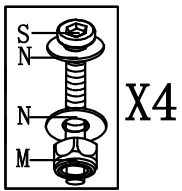


The best advice is not tightening up any screws until the whole piece is assembled.

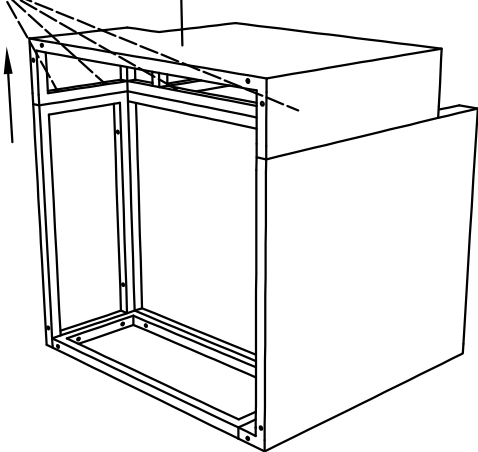
STEP 3



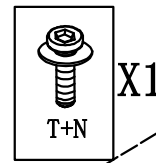
LA-E



X4

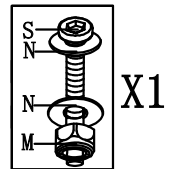
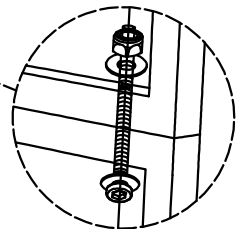
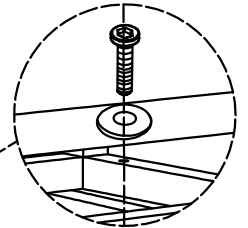
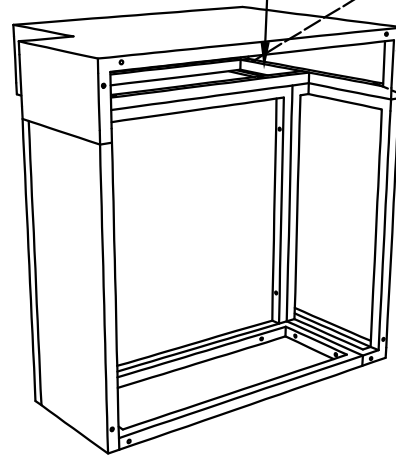


STEP 4



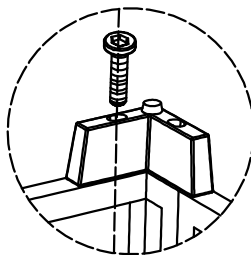
X1

T+N

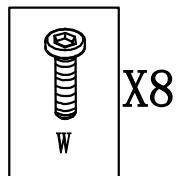


X1

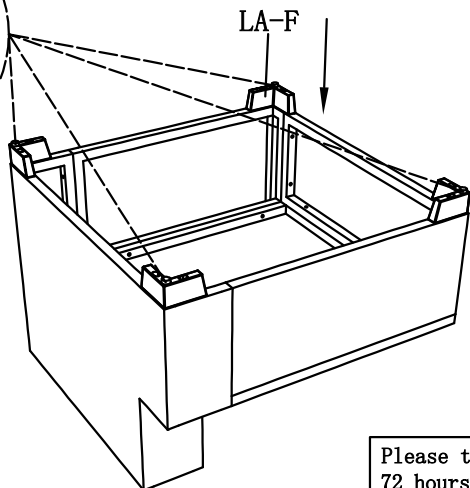
STEP 5



LA-F

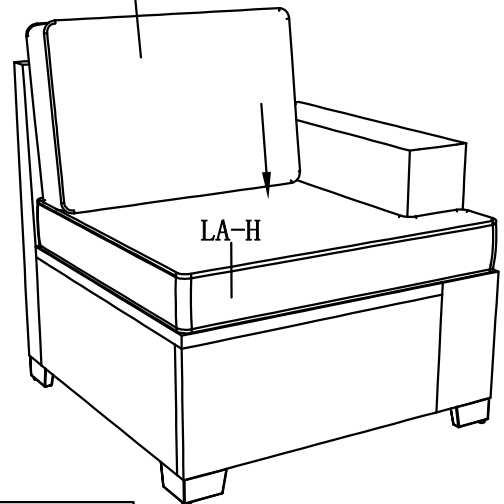


X8



FINISH

LA-G



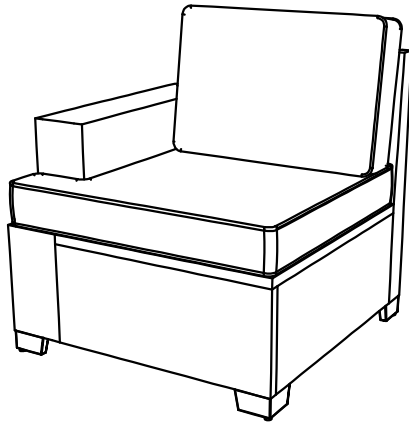
LA-H

Please tap the cushions and wait 48 to 72 hours to fully rebound

# Assembly Instruction




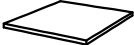












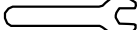
## Advice:

1. Power tools are suggested to be used during installation.
2. More than one person may be required to assemble this product.
3. The best advice is not tightening up any screws until the whole piece is assembled. If having difficulty aligning holes, loosen the screws already installed and readjust the armrest.
4. To avoid mess-up or mismatch, please use the hardware of each box to install the furniture in the same box.

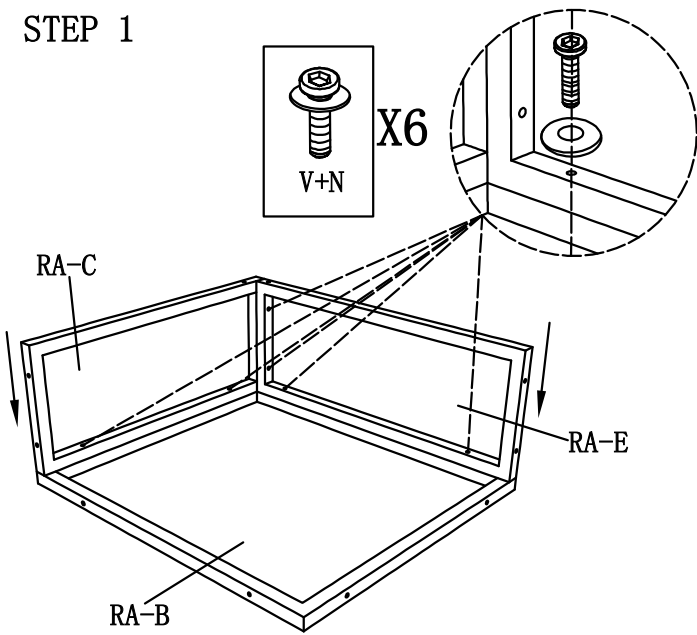


Right Arm Sofa

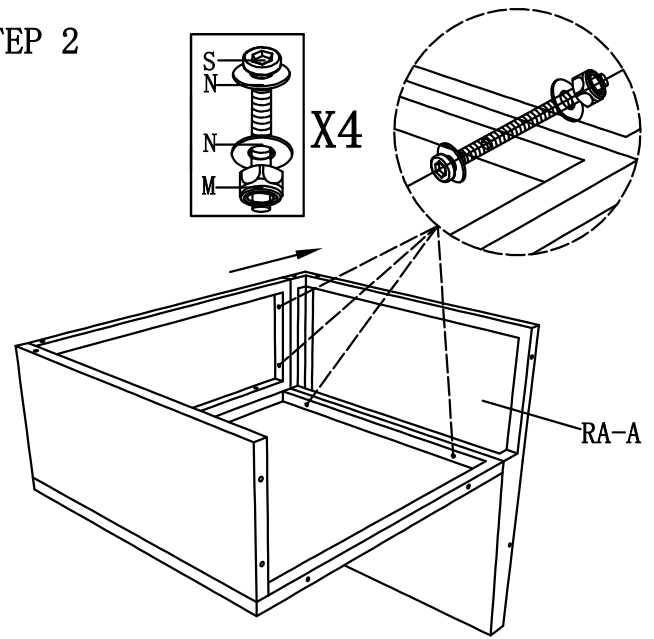
## Parts List

NO.	Picture	Description	QTY	F		Fastener Clip	2
RA-A		Sofa Back	1	W		Screw (M6*30)	8
RA-B		Sofa Seat	1	V		Screw (M6*35)	6
RA-C		Front Panel	1	T		Screw (M6*45)	1
RA-D		Right Arm	1	S		Screw (M6*60)	9
RA-E		Side Panel	1	N		Washer (M6)	25
RA-F		Sofa Leg	4	M		Nut (M6)	9
RA-G		Back Cushion	1	L		Allen Key	1
RA-H		Seat Cushion	1	J		Wrench (M6)	1

STEP 1

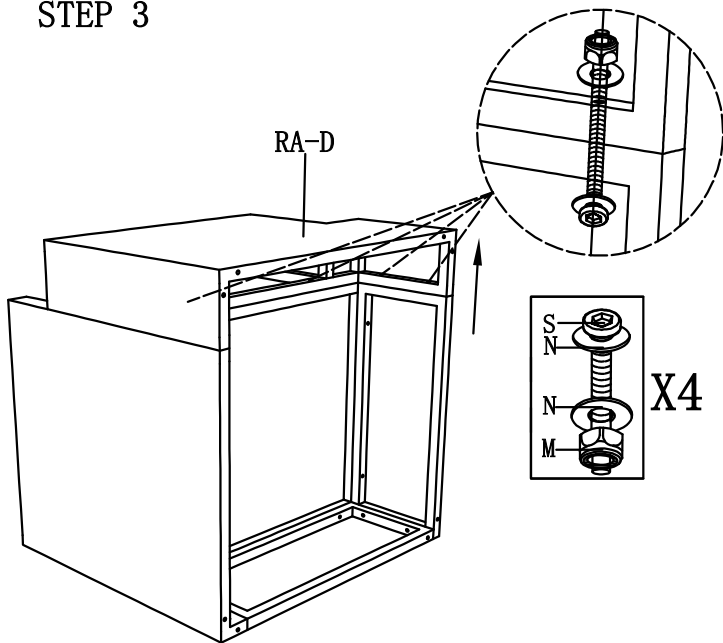


STEP 2

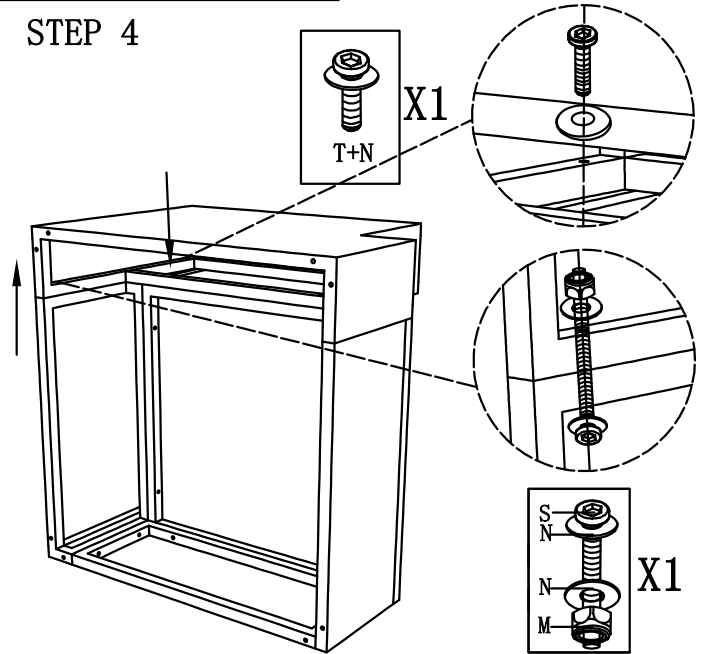


The best advice is not tightening up any screws until the whole piece is assembled.

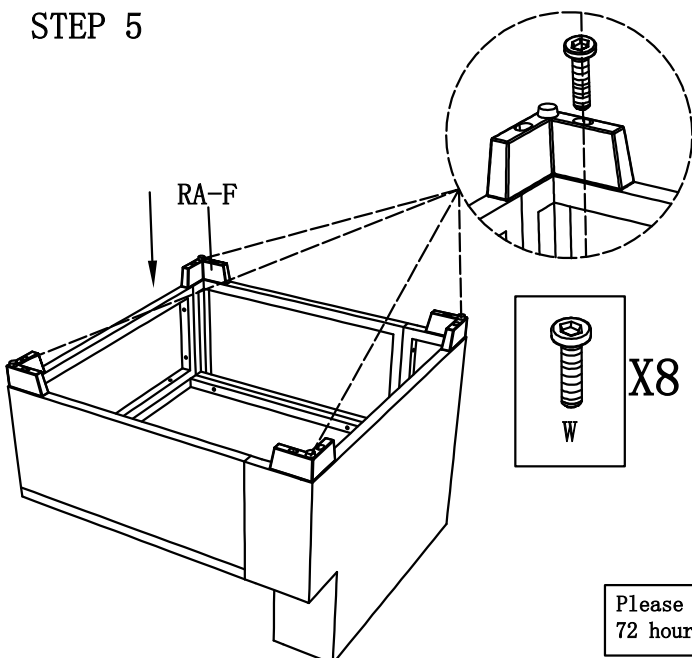
STEP 3



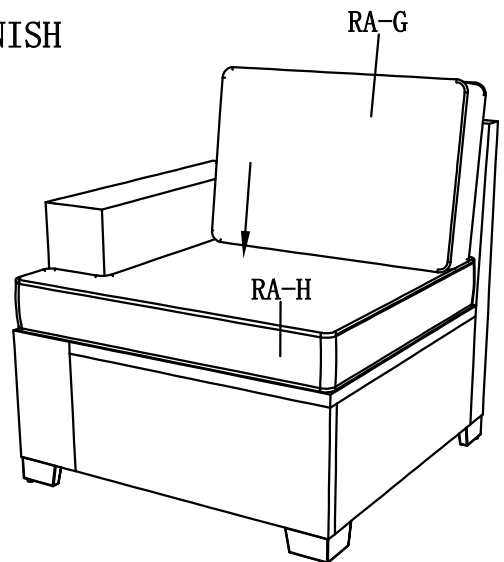
STEP 4



STEP 5



FINISH

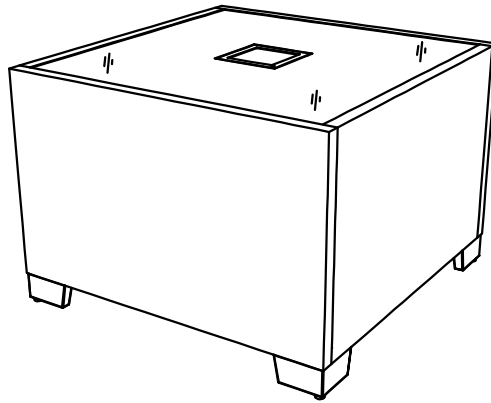


Please tap the cushions and wait 48 to 72 hours to fully rebound

# Assembly Instruction







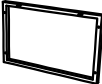

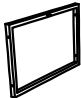


## Advice:

1. Power tools are suggested to be used during installation.
2. More than one person may be required to assemble this product.
3. The best advice is not tightening up any screws until the whole piece is assembled. If having difficulty aligning holes, loosen the screws already installed and readjust the armrest.
4. To avoid mess-up or mismatch, please use the hardware of each box to install the furniture in the same box.

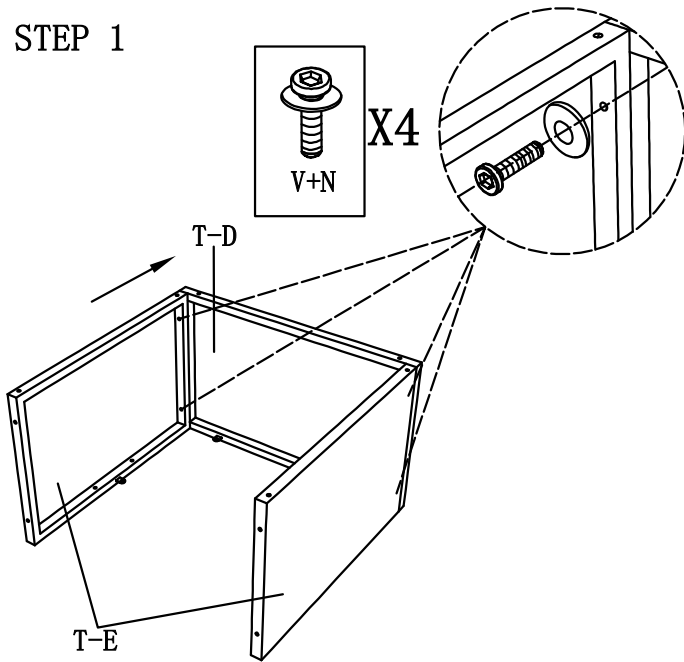


Table

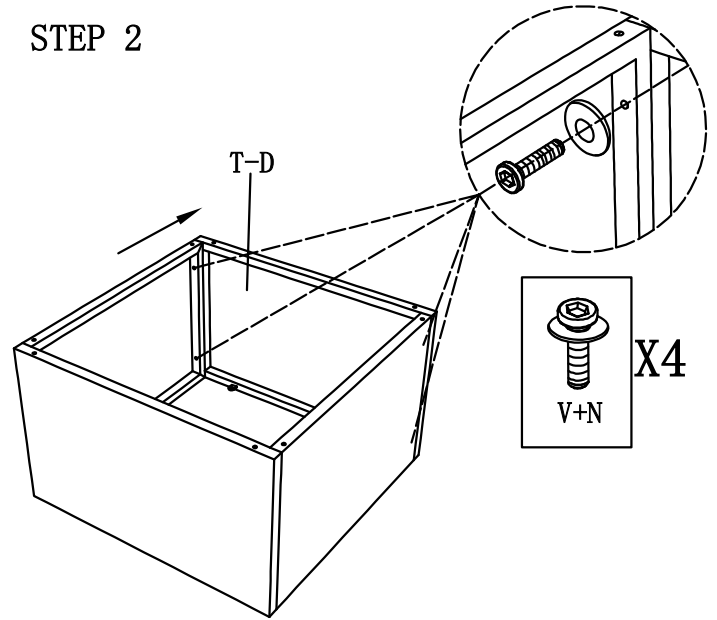
## Parts List

NO.	Picture	Description	QTY	NO.	Picture	Description	QTY
T-A		Solar Lamp	1	X		Screw (M6*25)	4
T-B		Glass Top	1	W		Screw (M6*30)	8
T-C		Support Bracket	1	V		Screw (M6*35)	8
T-D		Long Side Panels	2	N		Washer (M6)	12
T-E		Short Side Panels	2	L		Allen Key	1
T-F		Sofa Leg	4				

### STEP 1

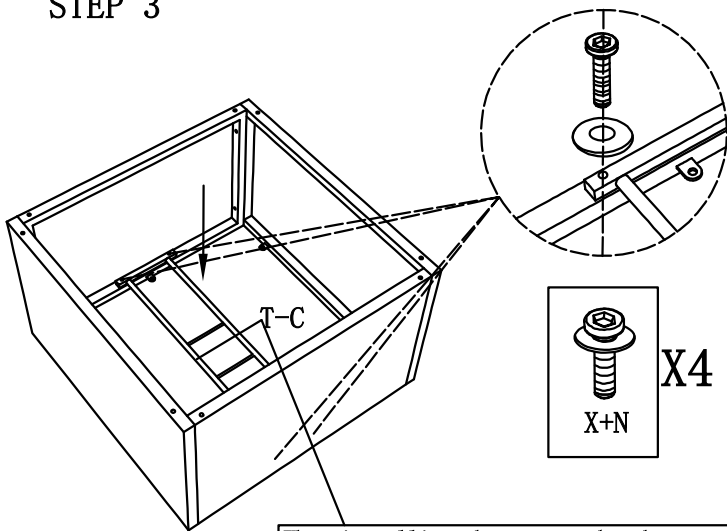


### STEP 2



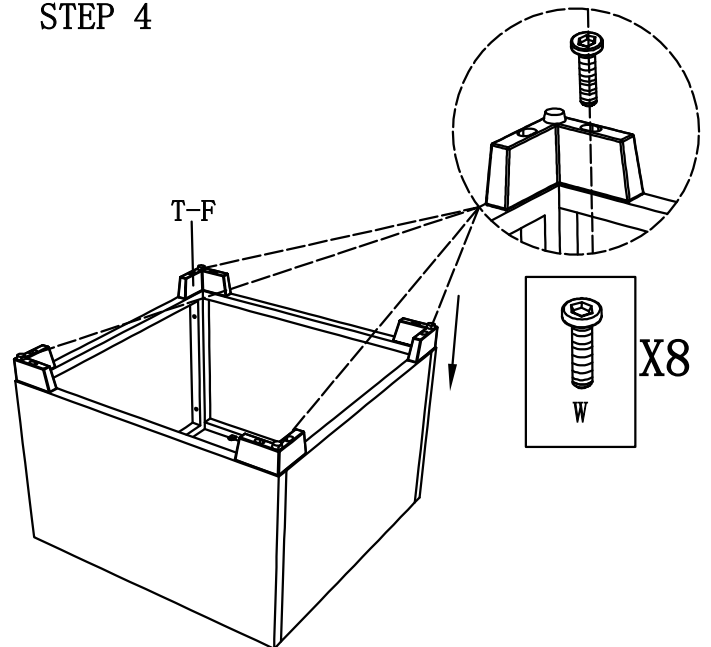
The best advice is not tightening up any screws until the whole piece is assembled.

### STEP 3

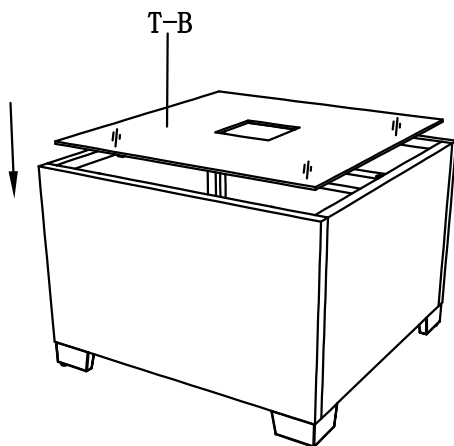


When installing the support bracket, pay attention to the direction. The two bulged small rod should face to the glass, so that the solar lamp and the glass can be parallel.

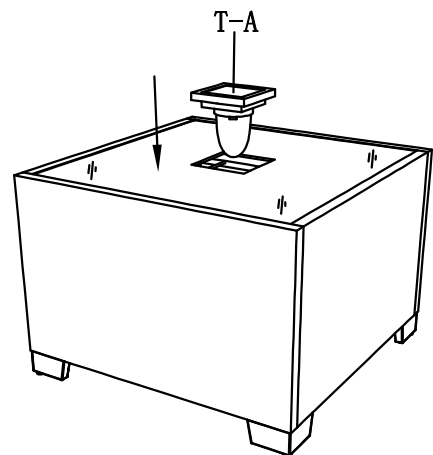
### STEP 4



### STEP 5



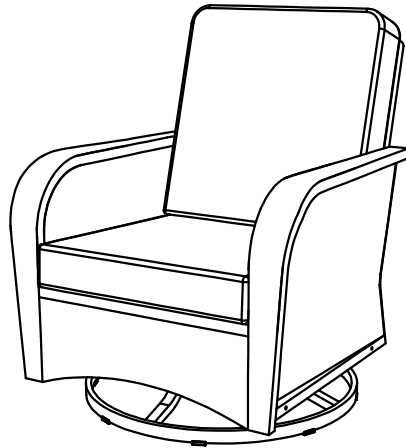
### FINISH



# Assembly Instruction


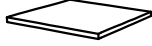



## Advice:





1. Power tools are suggested to be used during installation.
2. More than one person may be required to assemble this product.
3. The best advice is not tightening up any screws until the whole piece is assembled. If having difficulty aligning holes, loosen the screws already installed and readjust the armrest.
4. To avoid mess-up or mismatch, please use the hardware of each box to install the furniture in the same box.



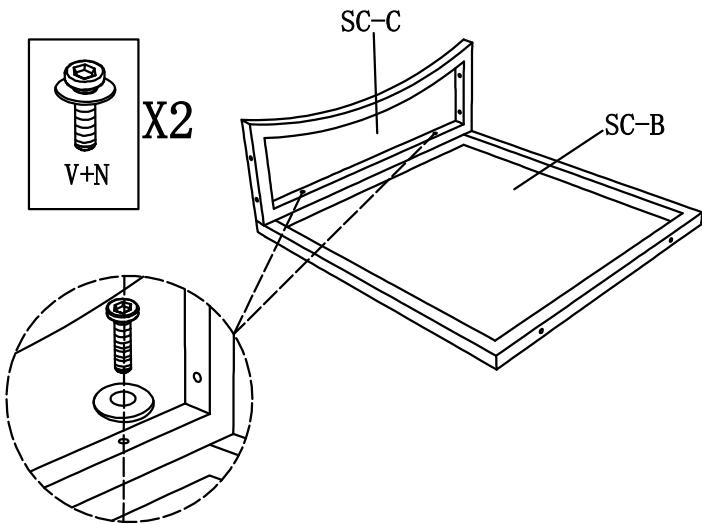
Single Swivel Chair

## Parts List

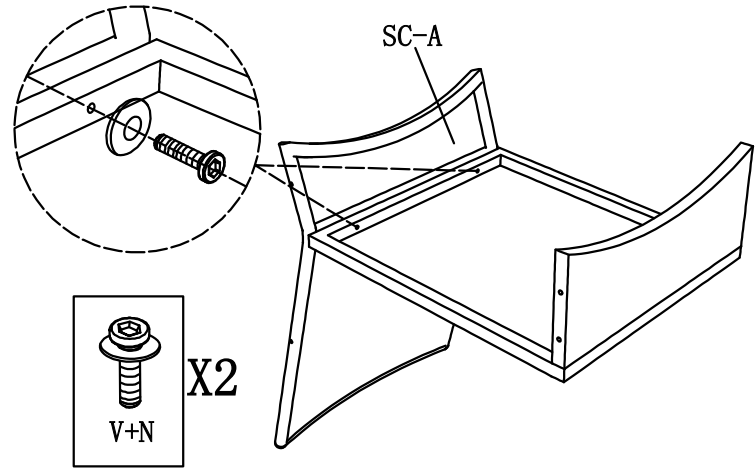
NO.	Picture	Description	QTY
SC-A		Chair Back	1
SC-B		Chair Seat	1
SC-C		Front Panel	1
SC-D		Right Arm	1
SC-E		Left Arm	1

NO.	Picture	Description	QTY
V		Screw (M6*35)	8
U		Screw (M6*40)	4
N		Washer (M6)	12
L		Allen Key	1

STEP 1

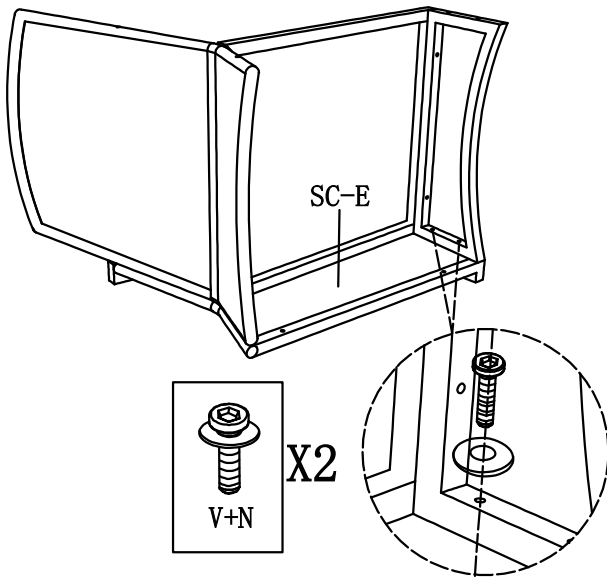


STEP 2

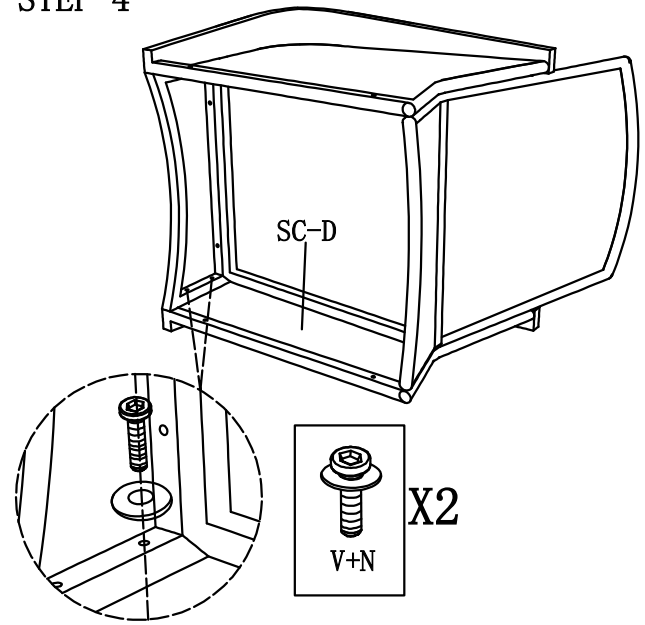


The best advice is not tightening up any screws until the whole piece is assembled.

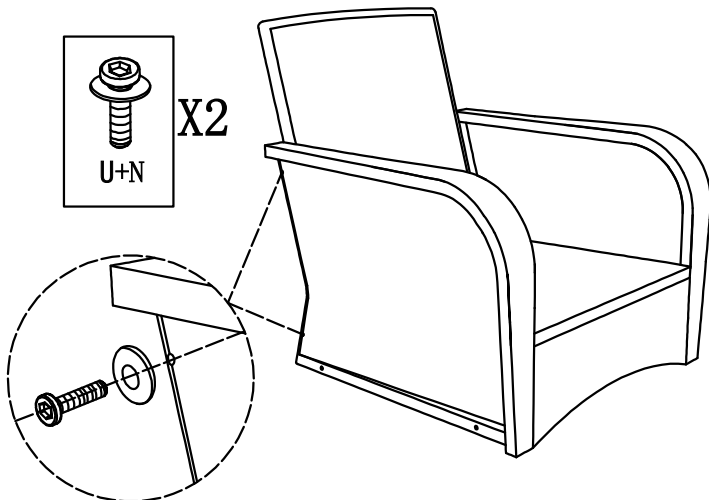
STEP 3



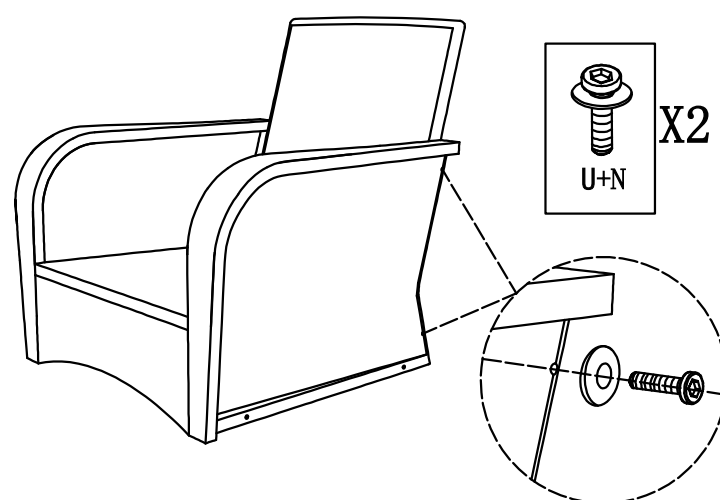
STEP 4



STEP 5



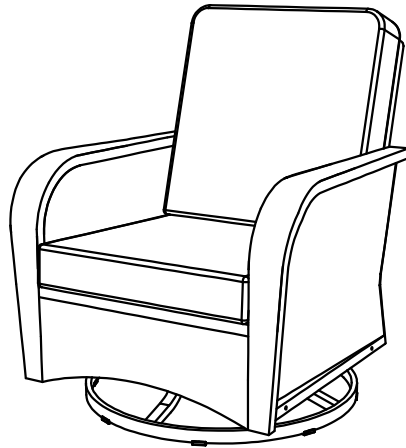
FINISH



# Assembly Instruction






## Advice:






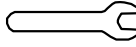
1. Power tools are suggested to be used during installation.
2. More than one person may be required to assemble this product.
3. The best advice is not tightening up any screws until the whole piece is assembled. If having difficulty aligning holes, loosen the screws already installed and readjust the armrest.
4. To avoid mess-up or mismatch, please use the hardware of each box to install the furniture in the same box.



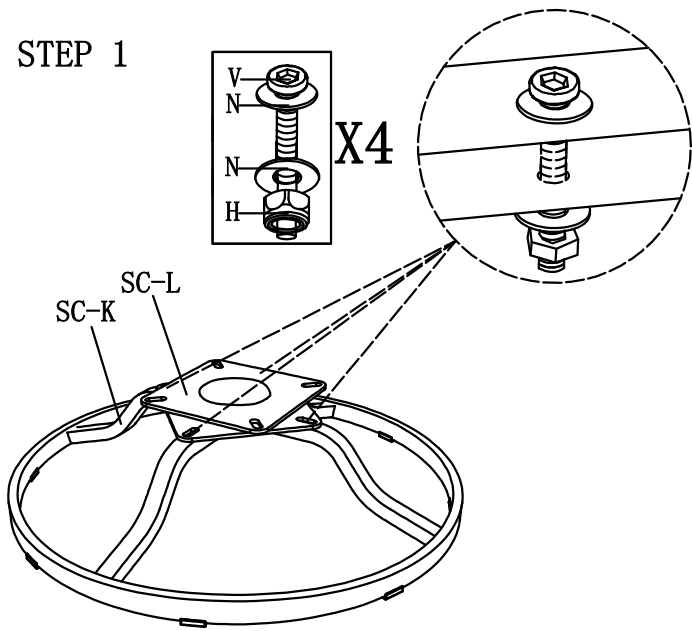
Single Swivel Chair

## Parts List

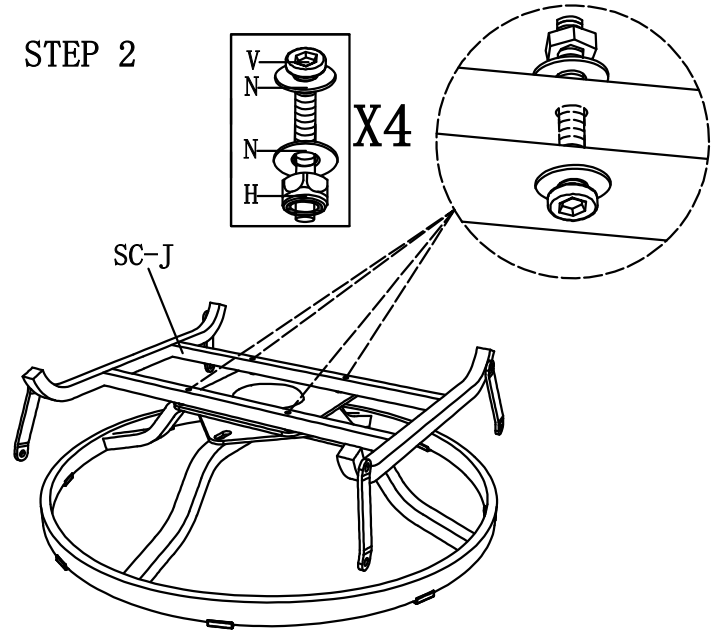
NO.	Picture	Description	QTY
SC-G		Back Cushion	1
SC-H		Seat Cushion	1
SC-J		Chair Base #1	1
SC-K		Chair Base #2	1
SC-L		Chair Base #3	1

NO.	Picture	Description	QTY
V		Screw (M6*35)	8
T		Screw (M6*45)	4
N		Washer (M6)	24
H		Anti-slip Screw (M6)	12
L		Allen Key	1
J		Wrench (M6)	1

STEP 1

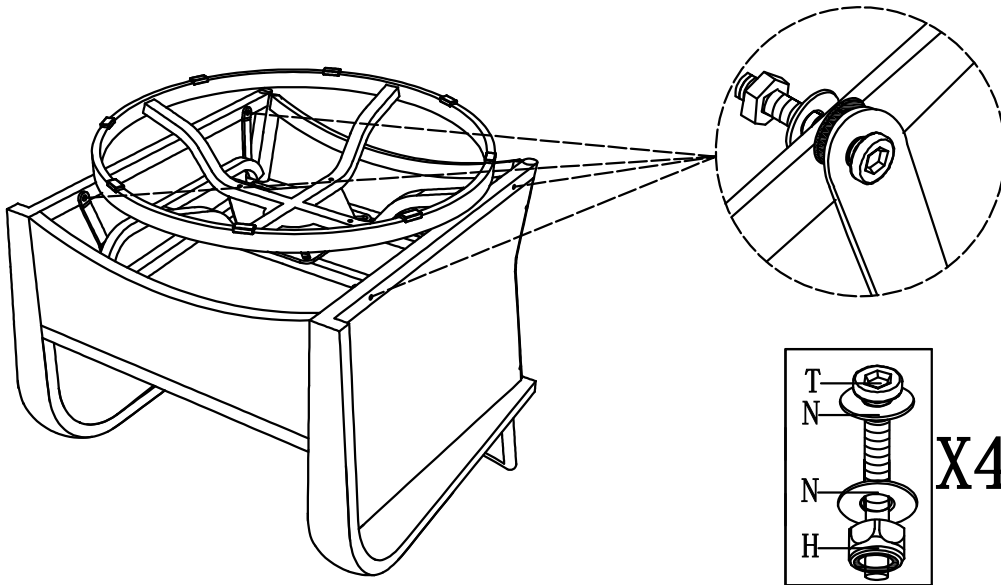


STEP 2



The best advice is not tightening up any screws until the whole piece is assembled.

STEP 3



FINISH

