

80244 QUEEN BED ASSEMBLY INSTRUCTION

Thank you for purchasing this quality product. Be sure to check all packing material carefully for small parts which may have come loose inside the carton during shipment. Separate, identify and count all parts and hardware. Compare with the parts list to be sure all parts are present.

IMPORTANT : PLEASE READ INSTRUCTION BEFORE STARTING THE ASSEMBLY.

"DO NOT TIGHTEN SCREWS UNTIL COMPLETELY ASSEMBLED"

"DO NOT OVERTIGHT ANY HARDWARE"

WARNING : SMALL PARTS AND HARDWARE NOT FOR CHILDREN UNDER 3 YEARS. ADULT ASSEMBLY REQUIRED.

TABLE OF CONTENTS

HARDWARES LIST

PAGE 2

PARTS LIST

PAGE 3

PARTS' LOCATION

PAGE 4

ASSEMBLY STEPS

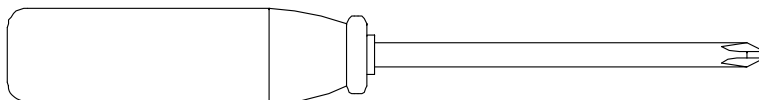
PAGE 5 - 8

ASSEMBLY COMPLETED

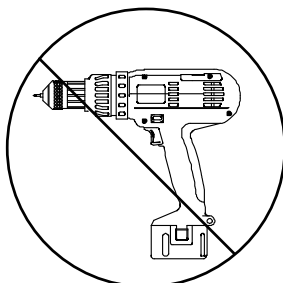
PAGE 8

ASSEMBLY TOOLS REQUIRED

1. Screwdriver (not provide)

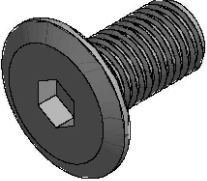
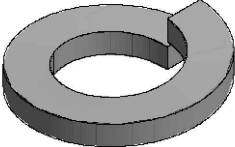
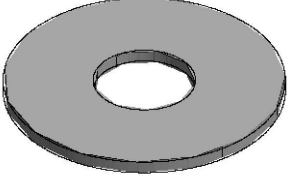
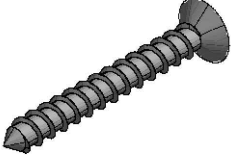
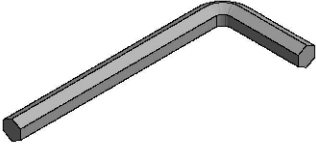
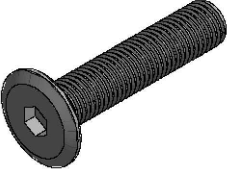



Skip the power trip this time.



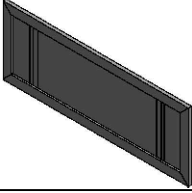
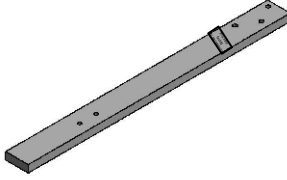
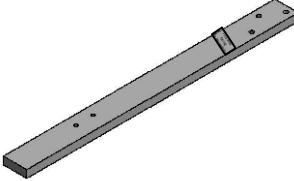
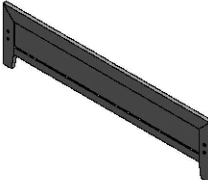
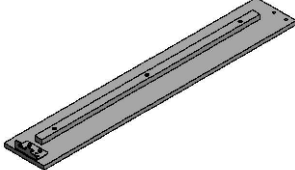
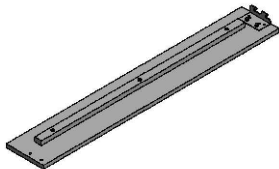
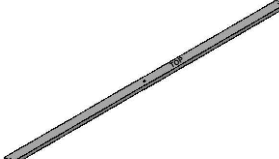
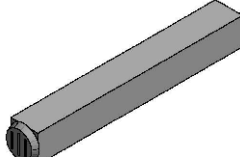
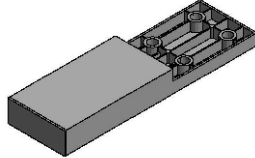
80244 QUEEN BED ASSEMBLY INSTRUCTION

HARDWARES LIST

ITEM	DESCRIPTION	DRAWING	QTY
A	JCBB SCREW M8 x 14MM		8 PCS
B	SPRING WASHER M8 x 14MM		6 PCS
C	FLAT WASHER M8 x 22MM		6 PCS
D	CSK C/B SCREW (M4 x 32MM)		8 PCS
E	M5 ALLEN KEY (65MM)		1 PC
F	JCBB SCREW M8 x 40MM		6 PCS
G	JCBB SCREW M8 x 25MM (BLACK)		8 PCS

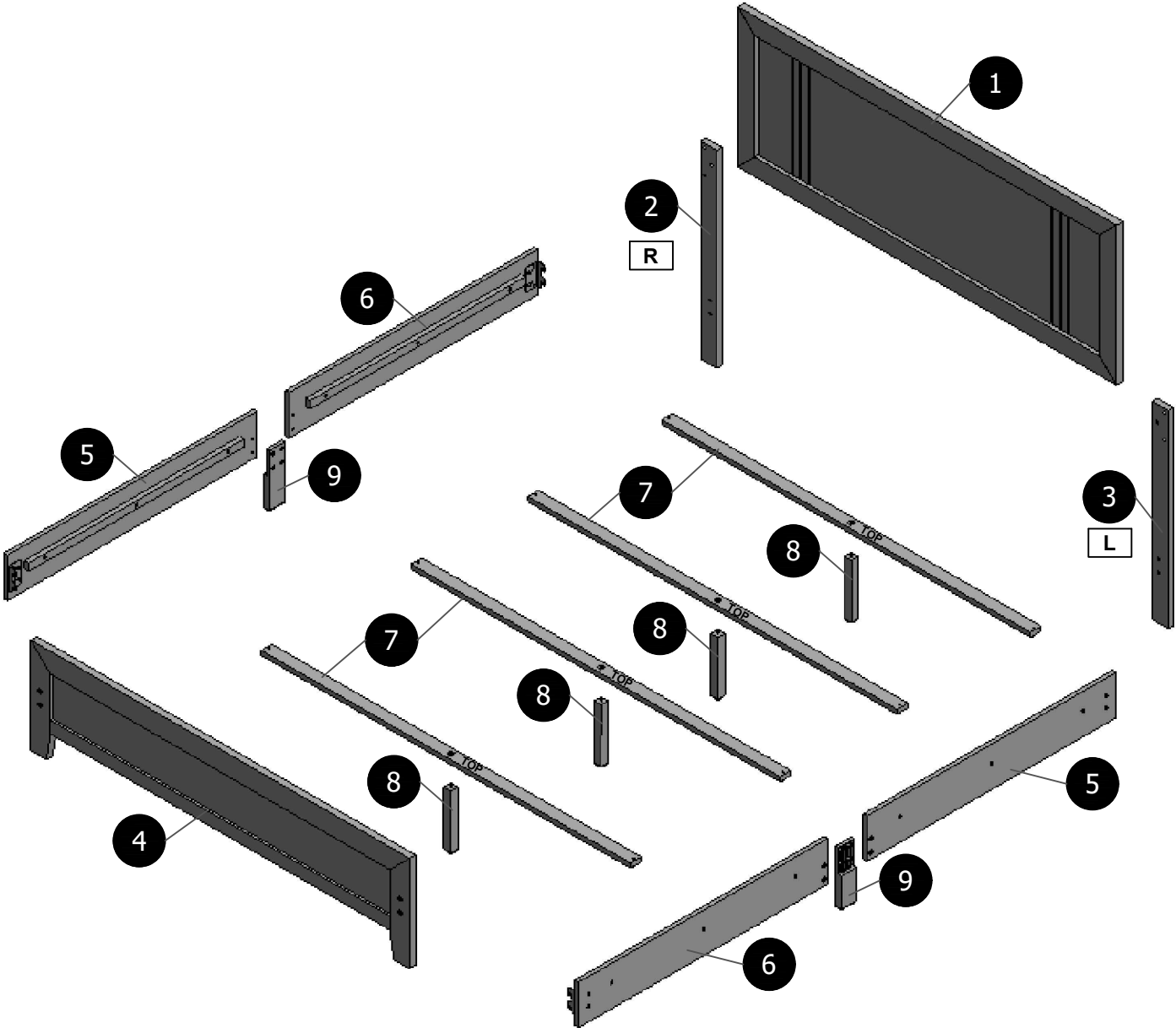
80244 QUEEN BED ASSEMBLY INSTRUCTION

PARTS LIST

ITEM	DESCRIPTION	DRAWING	QTY
1	HEADBOARD		1 PC
2	HEADBOARD LEG (R)		1 PC
3	HEADBOARD LEG (L)		1 PC
4	FOOTBOARD		1 PC
5	SIDE RAIL (i)		2 PCS
6	SIDE RAIL (ii)		2 PCS
7	SLAT		4 PCS
8	SUPPORT LEG		4 PCS
9	SIDE RAIL LEG		2 PCS

80244 QUEEN BED ASSEMBLY INSTRUCTION

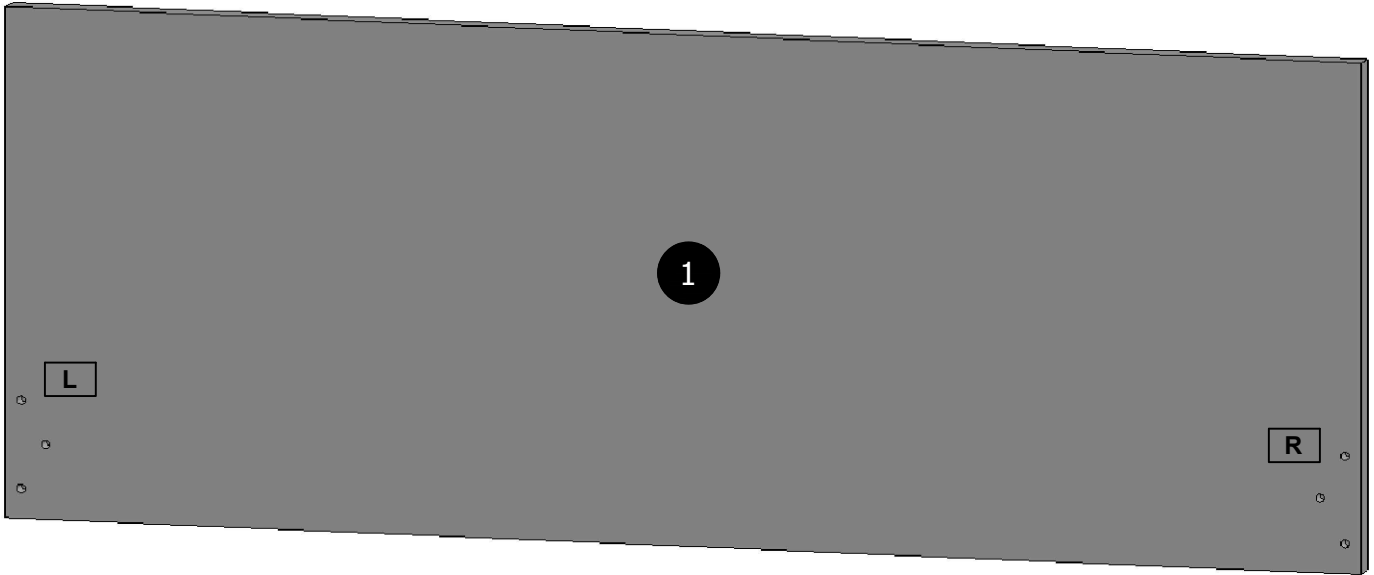
PARTS ' LOCATION



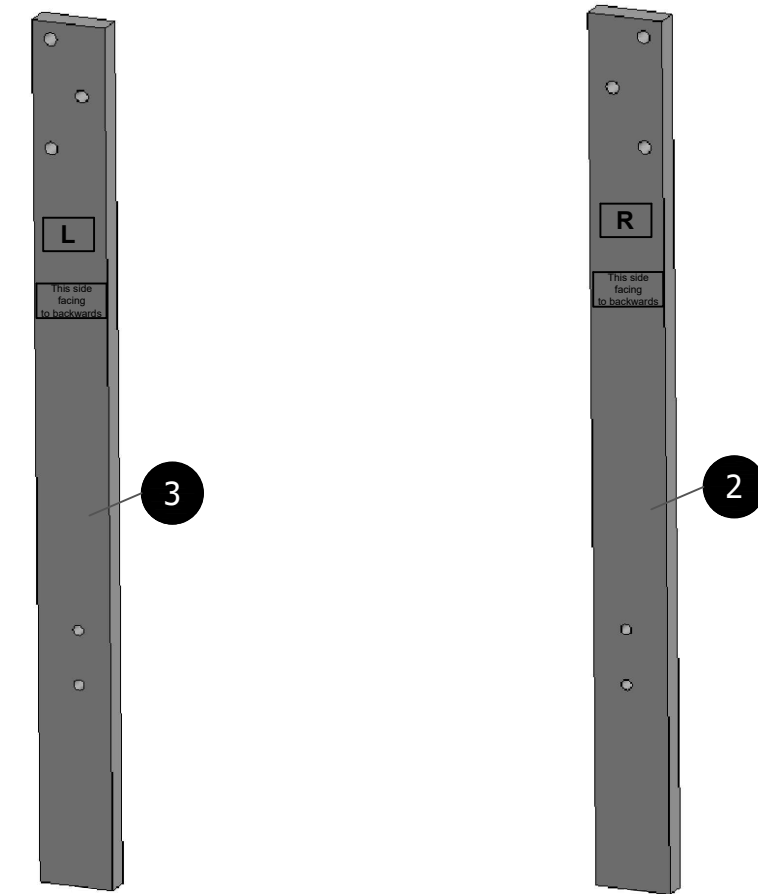
80244 QUEEN BED ASSEMBLY INSTRUCTION

DESCRIPTION

There are two stickers pre-sticked on backside of (1) which separately marked with L and R .



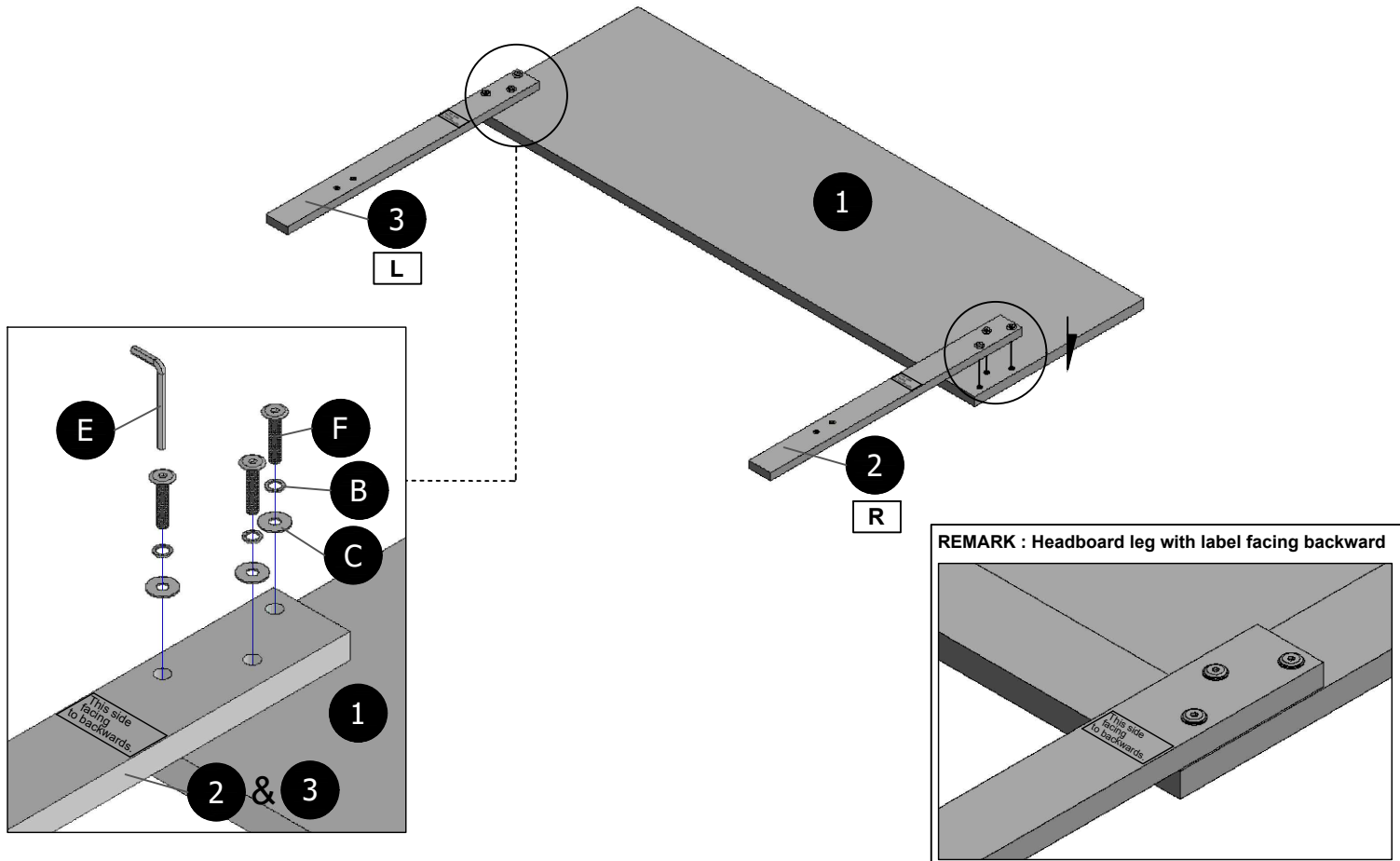
During assembly, the side of headboard leg with the label should face backward.



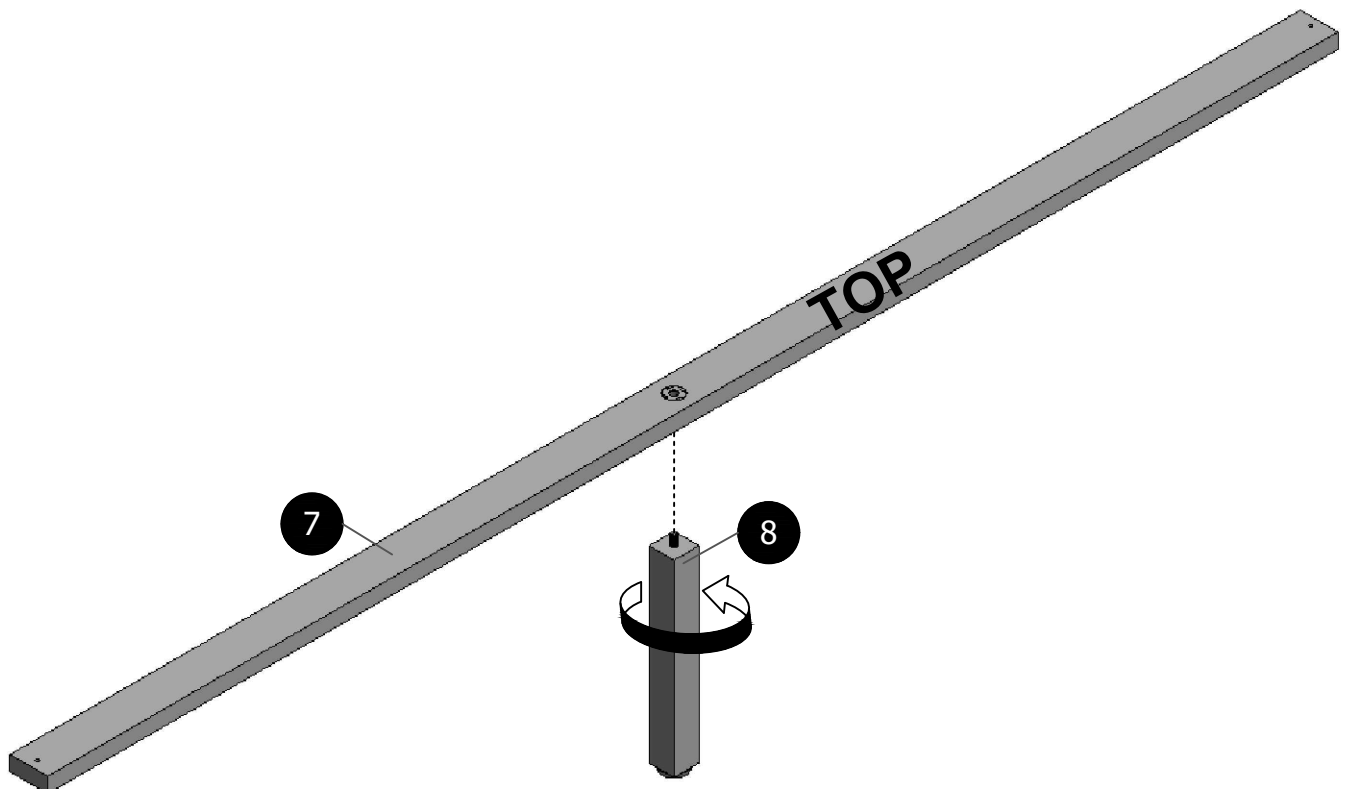
80244 QUEEN BED ASSEMBLY INSTRUCTION

ASSEMBLY STEPS

STEP 1

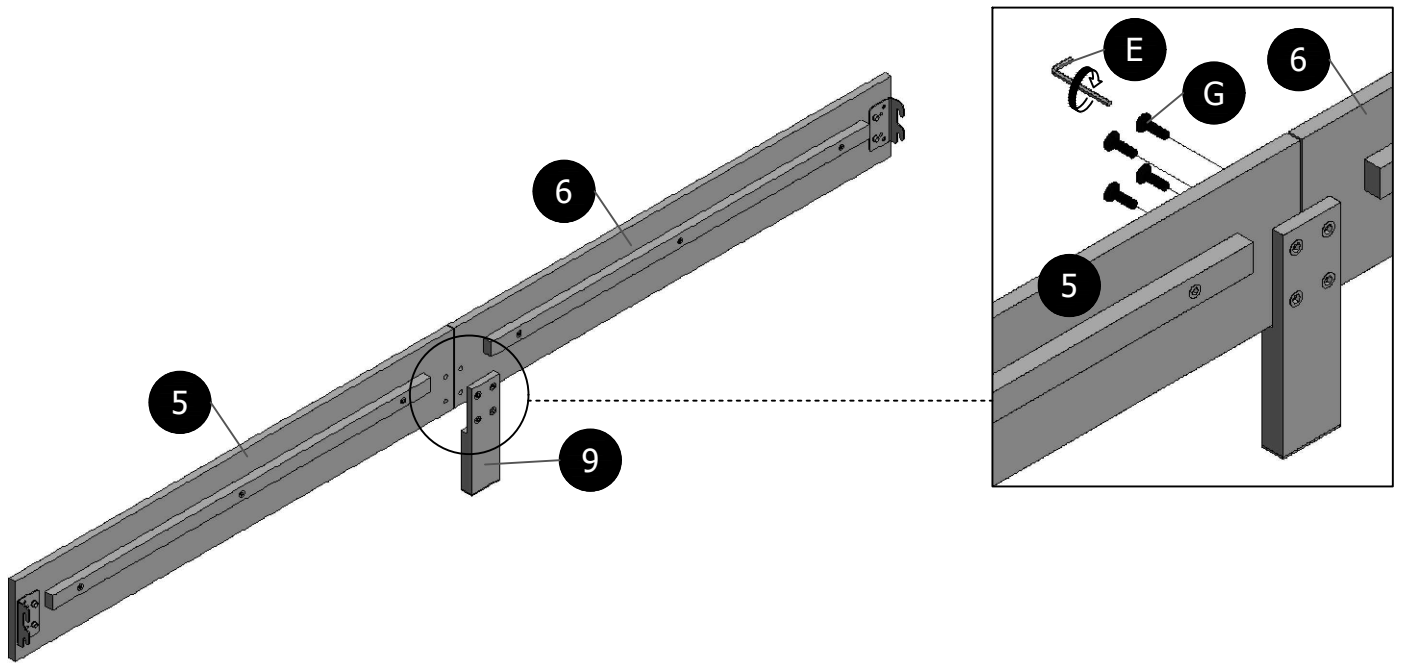


STEP 2

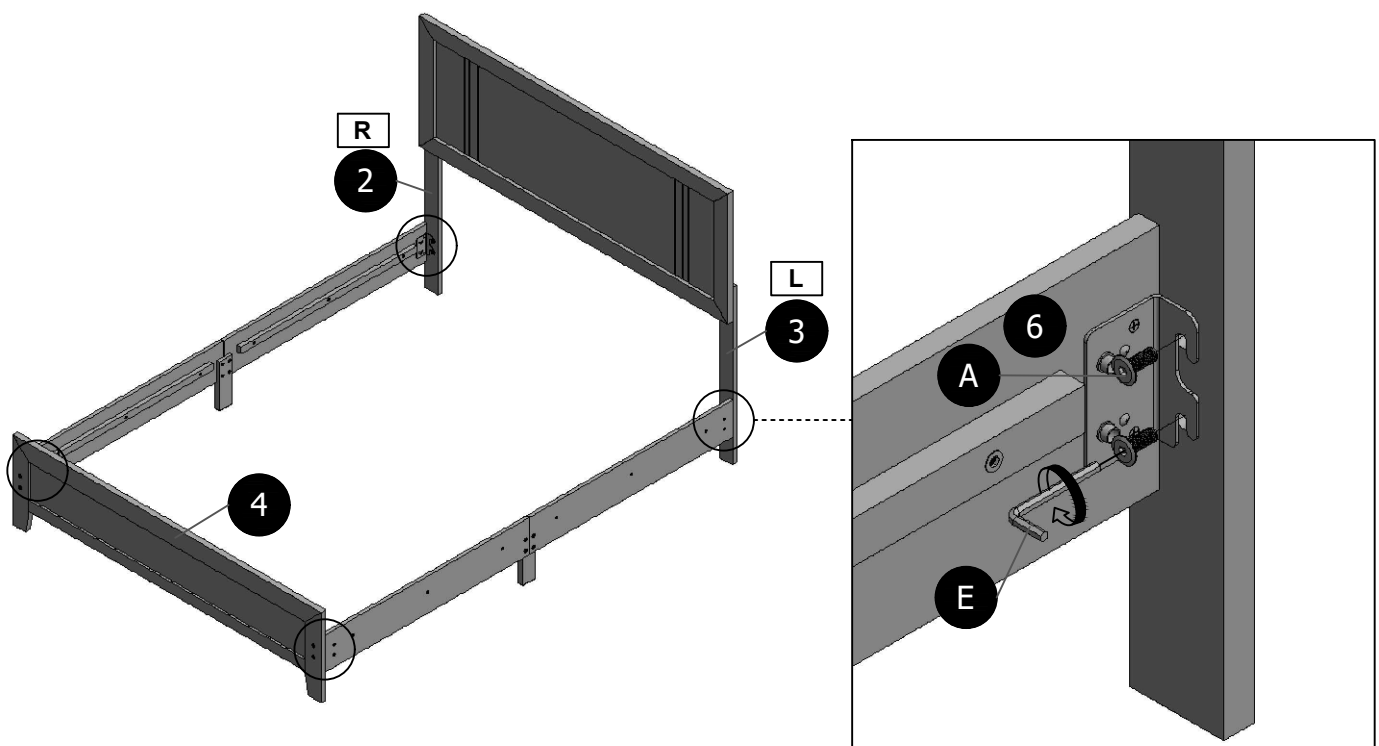


80244 QUEEN BED ASSEMBLY INSTRUCTION

STEP 3

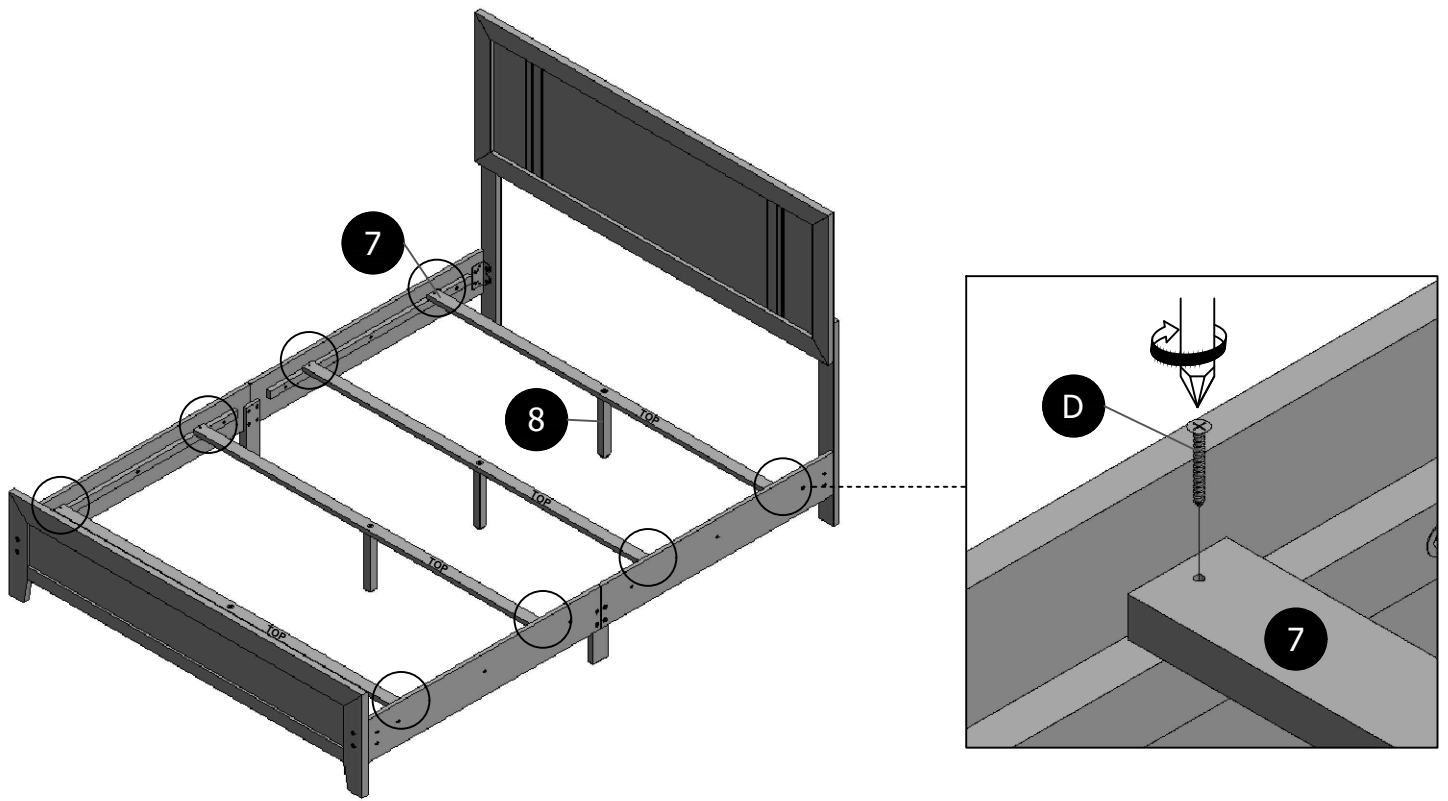


STEP 4

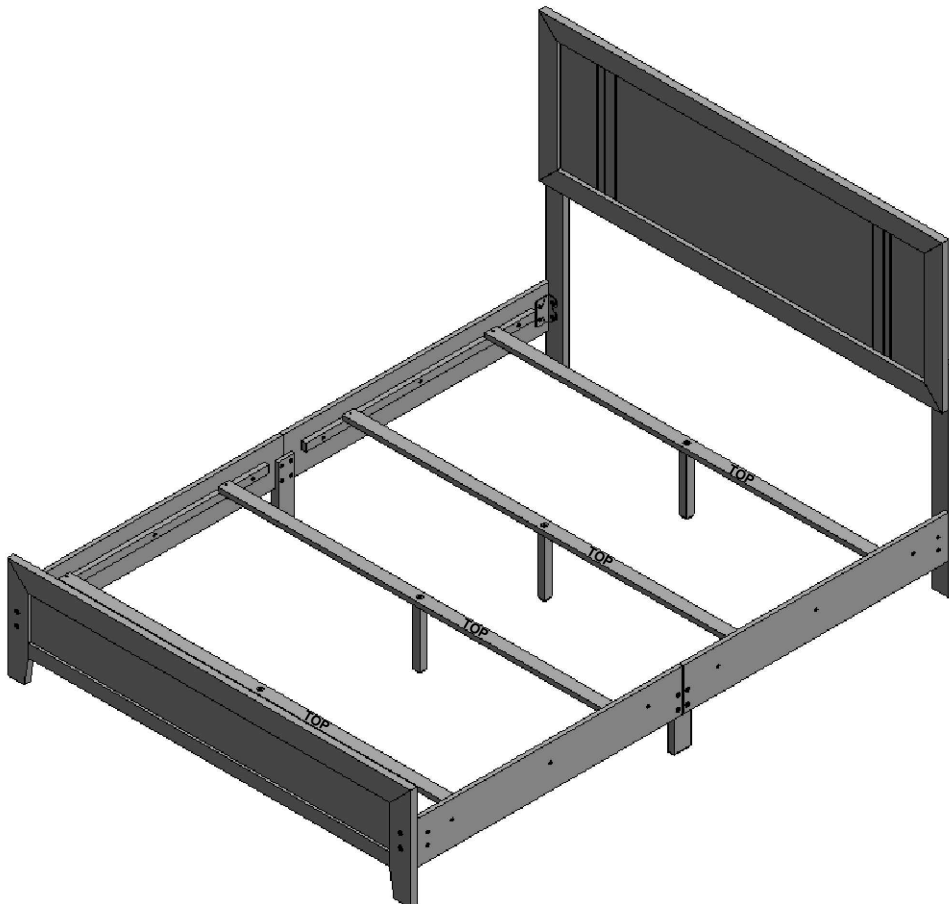


80244 QUEEN BED ASSEMBLY INSTRUCTION

STEP 5



STEP 6



** FOR ALL MODEL AND ALL SIZE BED

