



**Memoirs® Stately**  
Two-piece elongated toilet, 1.28 gpf  
**K-3817-RA**

**Features**

- Two-piece design
- Elongated bowl offers added room and comfort
- Comfort Height® feature offers chair-height seating that makes sitting down and standing up easier for most adults
- Right-hand Polished Chrome trip lever
- Combination consists of the K-4380 bowl and the K-4434-RA tank
- Coordinates with other products in the Memoirs collection
- Easy-to-flush canister design requires less force to actuate than a 3" (76 mm) flapper, and has 90% less exposed seal material which resists conditions that cause wear, tear, shrinkage and swelling
- Eligible for consumer rebates in some municipalities
- 1.28 gpf (4.8 lpf)
- 2-1/8" (54 mm) fully glazed trapway
- AquaPiston® canister optimizes the flow out of the tank, harnessing gravity and the natural powerful reducing cascade of water to increase the power and effectiveness of the flush

**Installation**

- Standard 12" (305 mm) rough-in
- Three-bolt quick-connect installation
- Seat and supply line sold separately

**Recommended Products/Accessories**

- K-4733-RL Glenbury™ ReadyLatch® Quiet-Close™ elongated toilet seat
- K-5588 Purefresh® Deodorizing elongated toilet seat
- K-4108 PureWash® E750 Elongated bidet toilet seat with remote control
- K-5420 Low-Profile Bolt Caps
- K-9167-R Trip Lever
- 1023457 Wax Ring/Hardware Kit
- 1265114 Connector Hose
- K-23726 Drain treatment

**Included Components**

- K-4380 Elongated toilet bowl
- K-4434-RA Toilet tank, 1.28 gpf



**ADA** **CSA B651** **OBC**

**Codes/Standards**

- ASME A112.19.2/CSA B45.1
- DOE - Energy Policy Act 1992
- EPA WaterSense®
- California Energy Commission (CEC)
- ADA
- ICC/ANSI A117.1
- CSA B651
- OBC
- IAPMO Certification

**KOHLER® Toilets and Seats Limited Warranty**

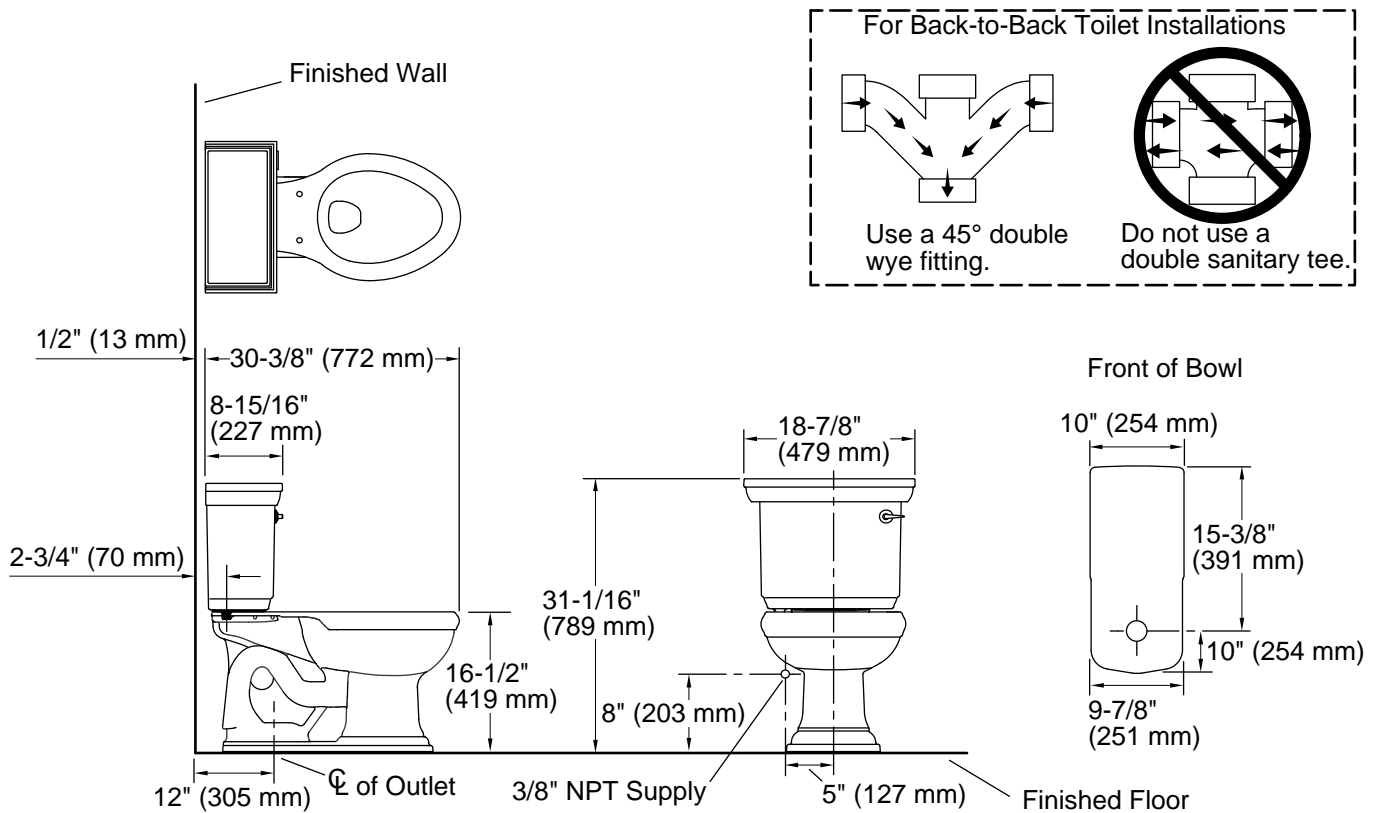
See website for detailed warranty information.

**Available Colors/Finishes**

*Color tiles intended for reference only.*

**Color Code Description**

	0	White
--	---	-------



### Technical Information

All product dimensions are nominal.

Toilet type:	Floor-mount
Waste Outlet:	Floor
Bowl shape:	Elongated
Flush type:	AquaPiston
Trap passageway:	2-1/8" (54 mm)
Water surface size:	11-3/4" x 9-1/2" (298 mm x 241 mm)
Rim to water surface:	6-1/8" (156 mm)
Rough-in:	12" (305 mm)
Seat-mounting holes:	5-1/2" (140 mm)

### Notes

Install this product according to the installation instructions.

For back-to-back toilet installations: Use only a 45° double wye fitting.

ADA, OBC, CSA B651 compliant when installed to the specific requirements of these regulations.

Plumbing codes may require elongated toilets and elongated, open-front seats in public bathrooms.

Accessibility standards may require controls to be located on the open side of the toilet.