

# **SHELF MANUAL**

# 1

## NOTICE

- Please retain these instructions for future reference.
- Please do not exceed the weight limitations of this item.
- Do not stand on or use any part of this item as a step ladder.
- Firmly secure all bolts, screws before use.
- Do not use or store this item in the proximity of open flame or flammable/combustible chemicals.
- Be aware that some parts are heavy and have sharp edges.
- After receiving the product, please check it first. If there is any missing part or damage, please contact our customer service team by email, we will provide solutions in time.

# 2

## CUSTOMER SERVICE

Please contact us if you need any help:

# 3

## TOOLS RECOMMENDED



POWERDRILL



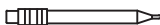
TAPE MEASURE



LEVEL



DRILL  $\phi$ 6



PENCIL



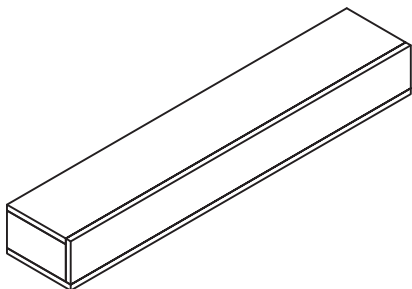
PHILLIPS SCREWDRIVER



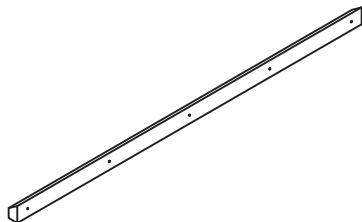
STUD FINDER

# 4

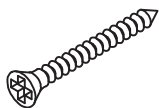
## WHAT'S INCLUDED



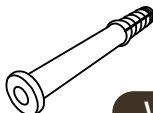
MANTEL SHELF



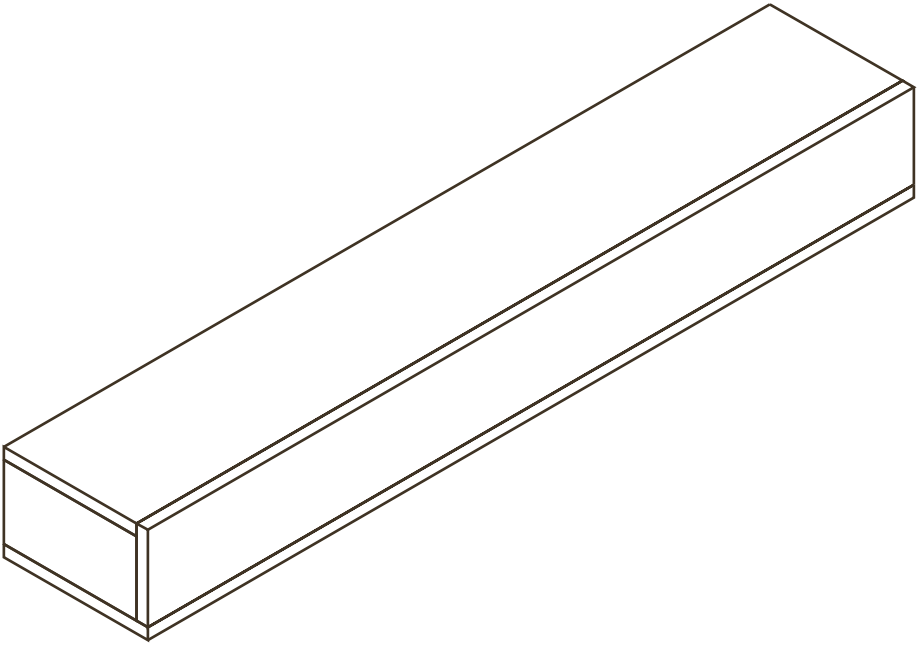
SUPPORT BRACKET



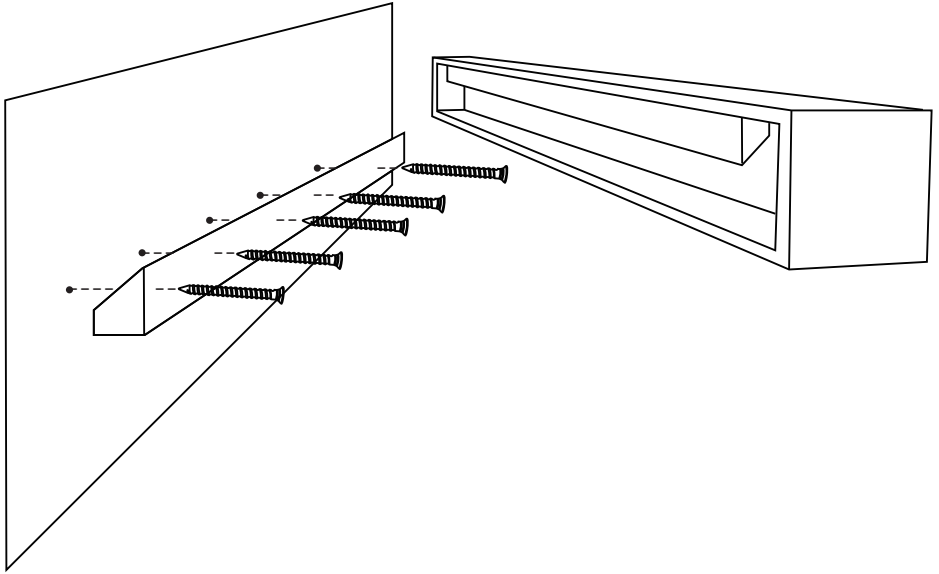
SCREW X 7



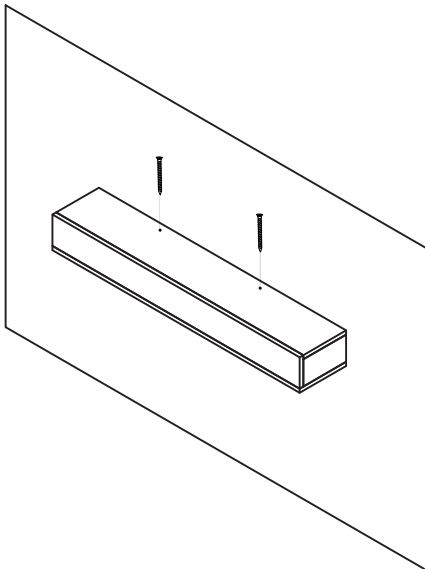
WALL ANCHOR X 5



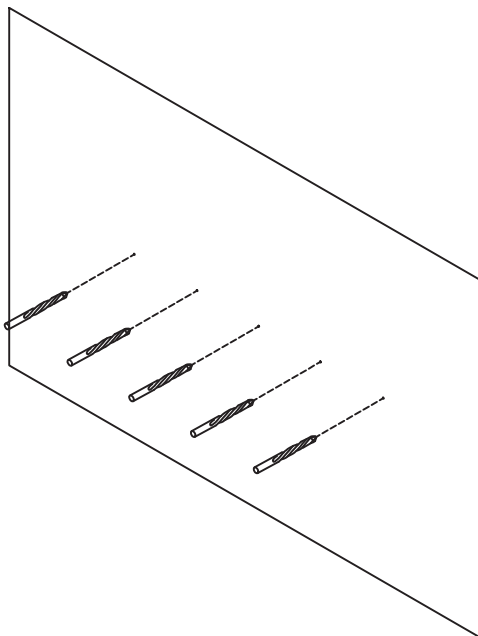
**Attach the Support Bracket to the Wall Using Screws to Anchor**



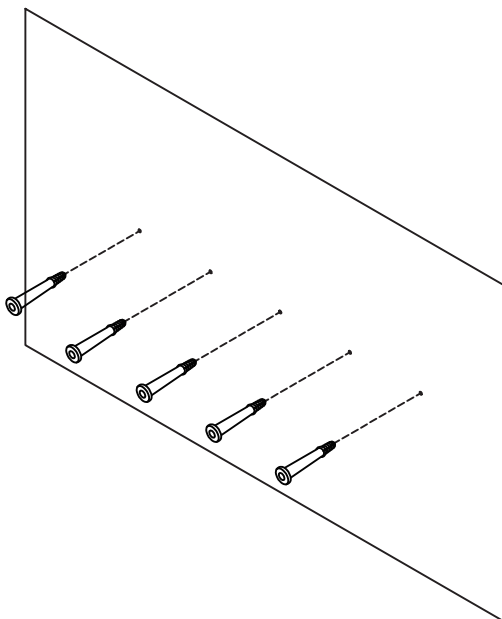
**Place the Shelf on the Support Bracket, Ensure the Shelf is Tight Against the Wall. Insert Screws into the Two Reserved Holes on the Shelf to Fix it in Place**



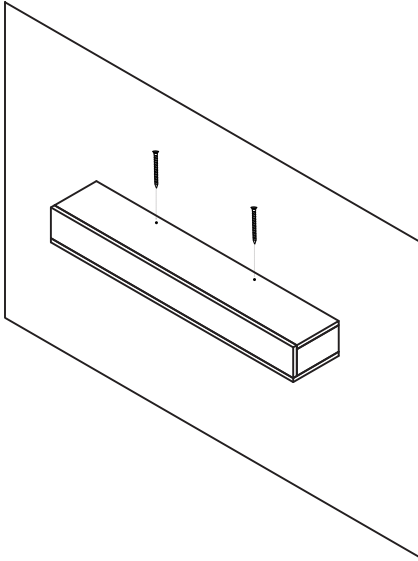
Drill  $\phi$  6mm Hole with depth of 65mm at the Pencil Marks



Hammer the Anchors into Place

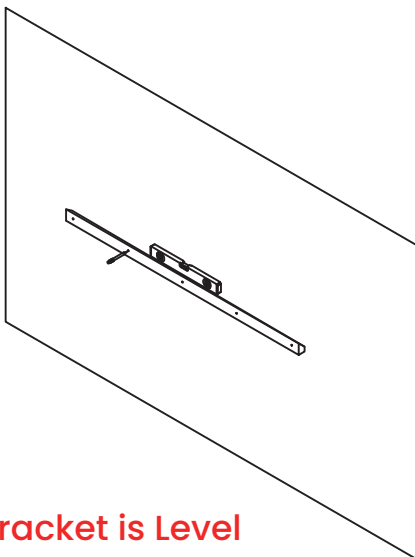


Place the Shelf on the Support Bracket, Ensure the Shelf is Tight Against the Wall. Insert Screws into the Two Reserved Holes on the Shelf to Fix it in Place



**2. For cement and brick wall, the recommended installation steps are as follow :**

Put the Support Bracket to the Wall Where You Want to Install, Mark All Holes with Pen or Pencil



 **Ensure Bracket is Level**

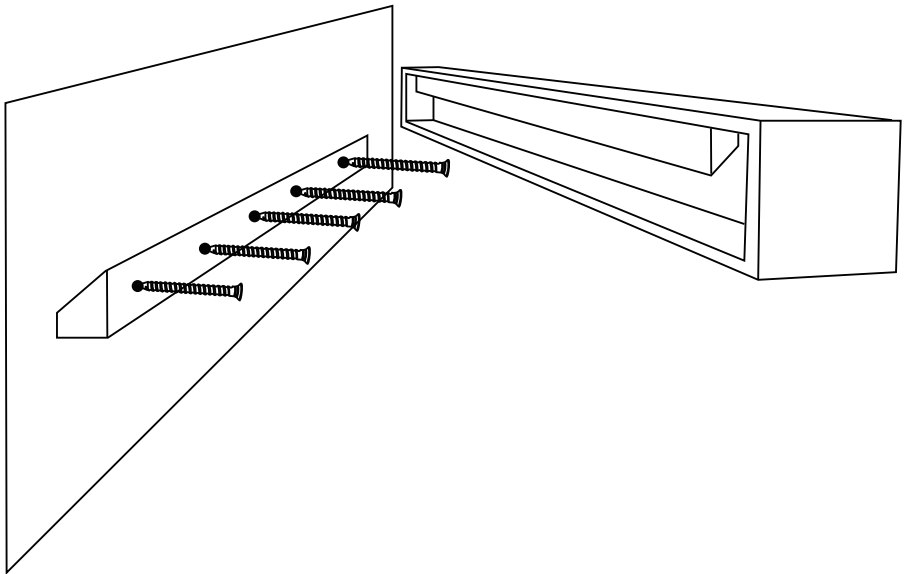
# 5

## INSTALLATION INSTRUCTIONS

Installing a mantel support bracket can vary depending on the type of wall you have. Here are two guidelines for different types of walls.

### 1. For wood wall, dry wall and other framed wall with wood studs, the recommended installation steps are as follow :

Use Stud Finder(not included) to Locate Wood Studs.  
Secure the Support Bracket to the Wall Using Screws  
Directly



 Ensure Bracket is Level