
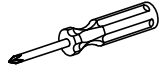


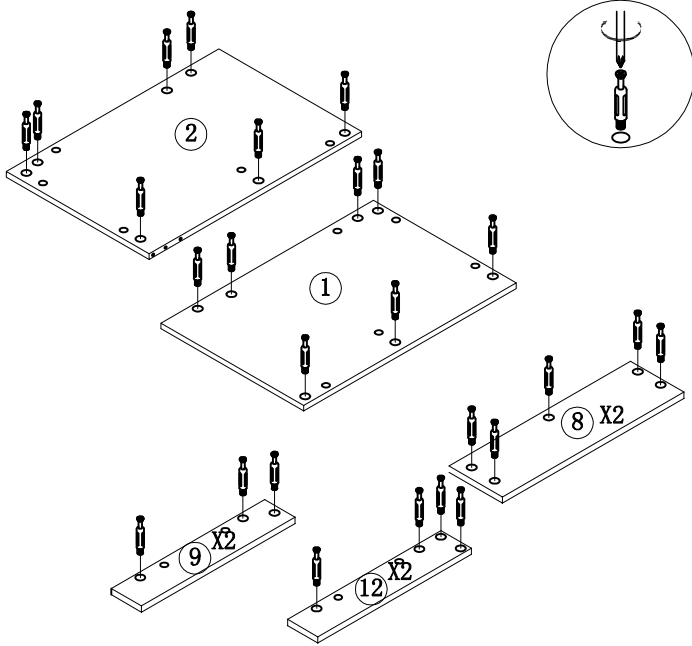
USEU10YGW

—AZ—QG



INSTALLATIONS

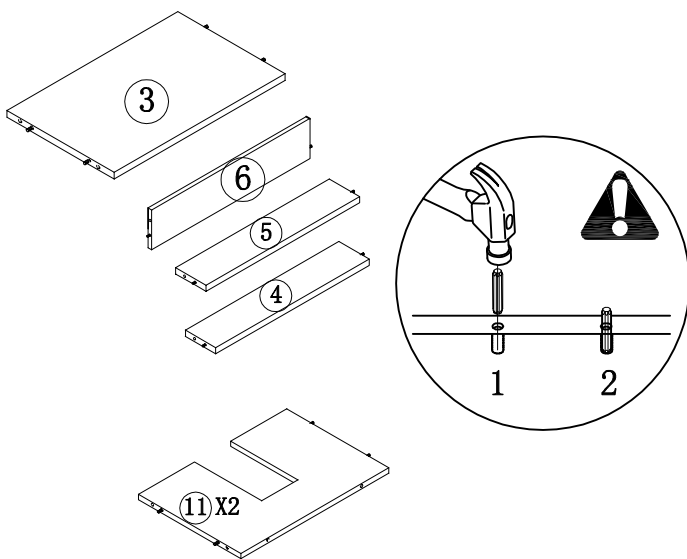
STEP 1

HARDWARE LIST	
B  38PCS	





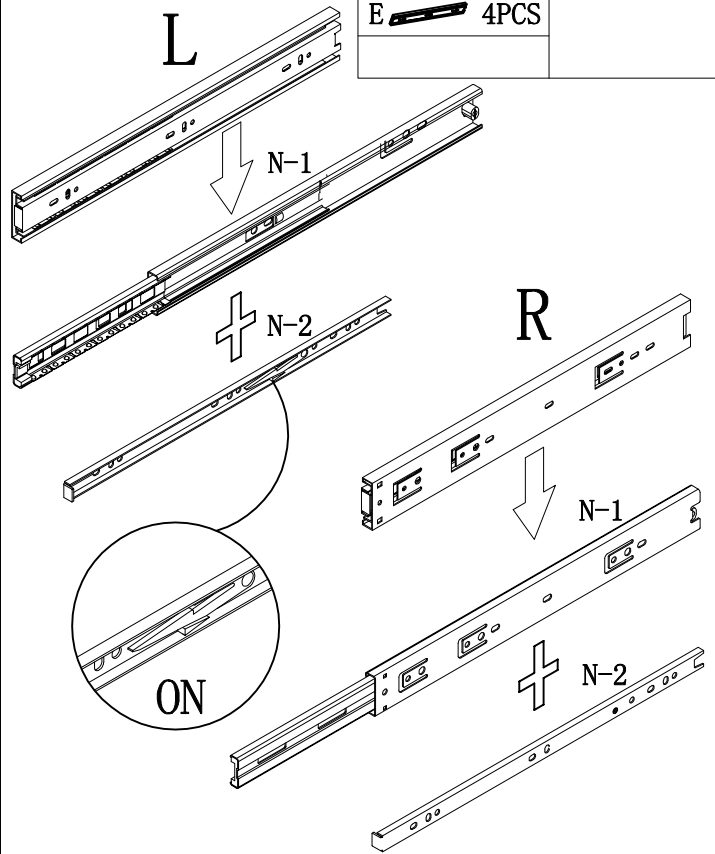
STEP 2

HARDWARE LIST	
D  18PCS	


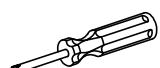


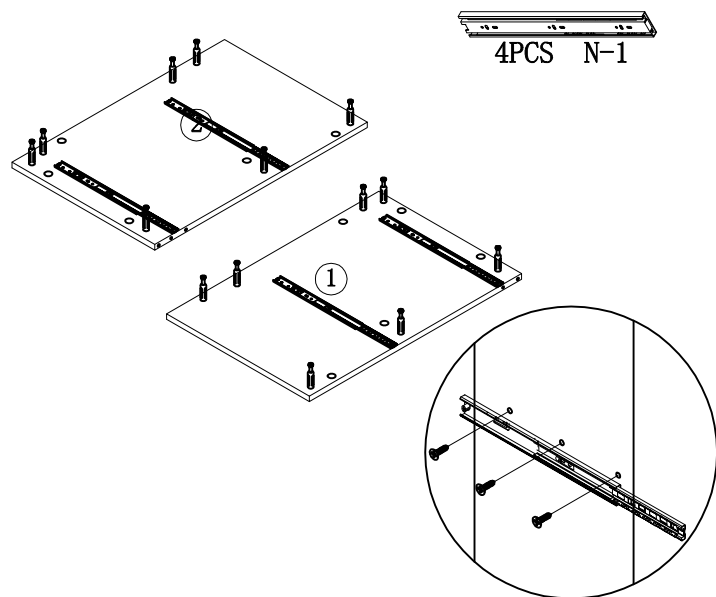
STEP 3

HARDWARE LIST	
E  4PCS	





STEP 4

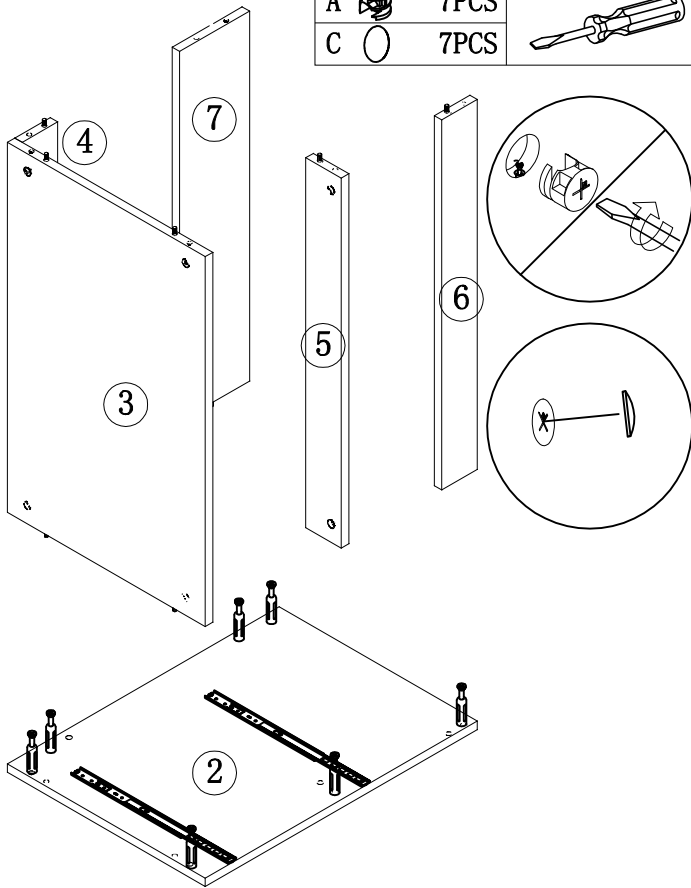
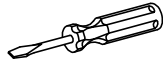
HARDWARE LIST	
F  12PCS	



STEP 5



HARDWARE LIST

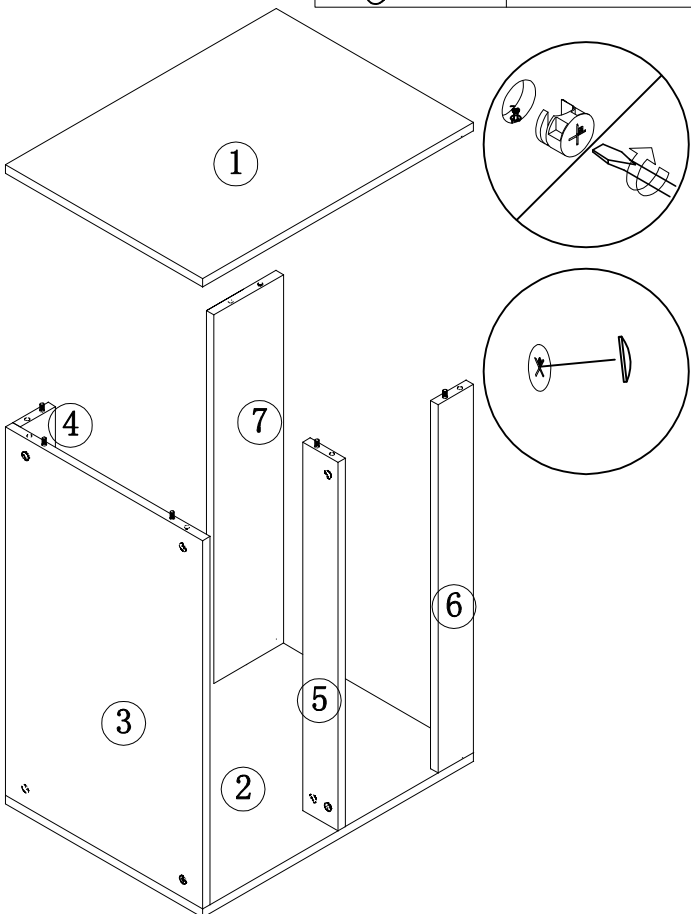
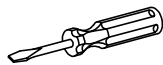
A		7PCS
C		7PCS



STEP 6





HARDWARE LIST

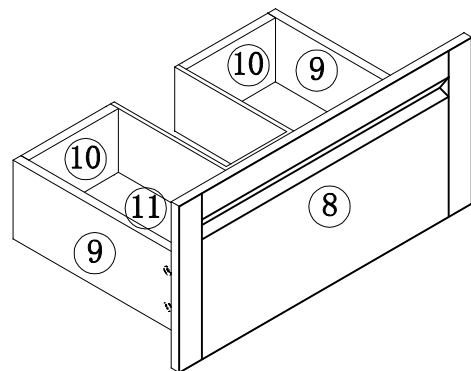
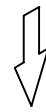
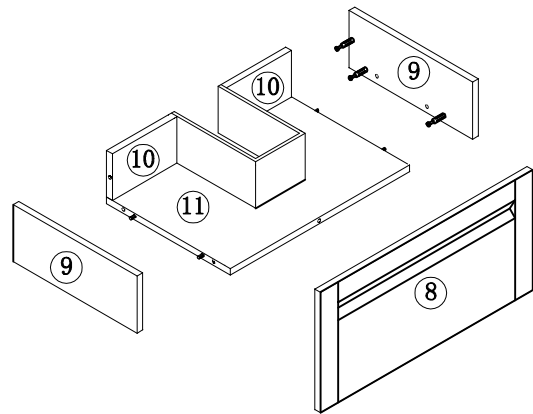
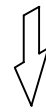
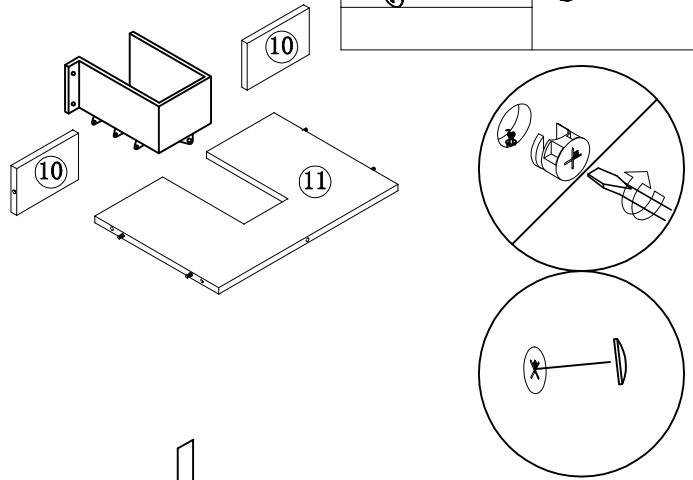
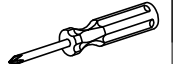
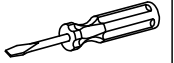
A		7PCS
C		7PCS



STEP 7


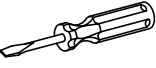


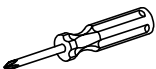

HARDWARE LIST

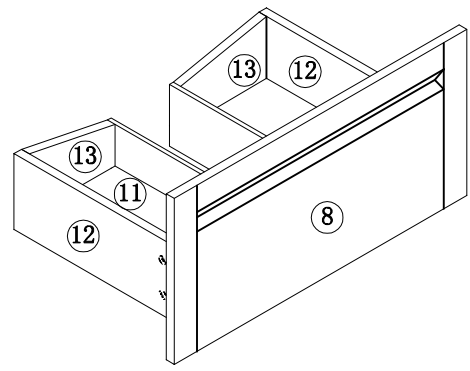
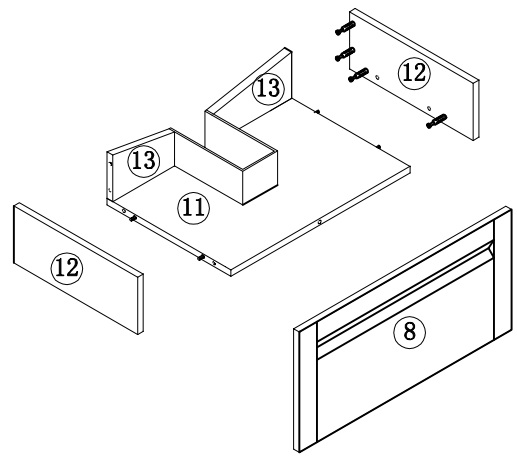
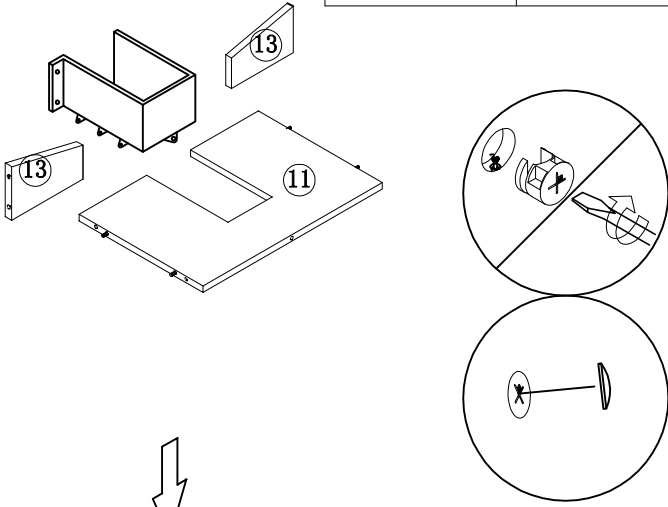
A		11PCS
C		11PCS
H		1PCS
F		10PCS



STEP 8


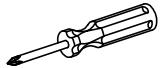
HARDWARE LIST

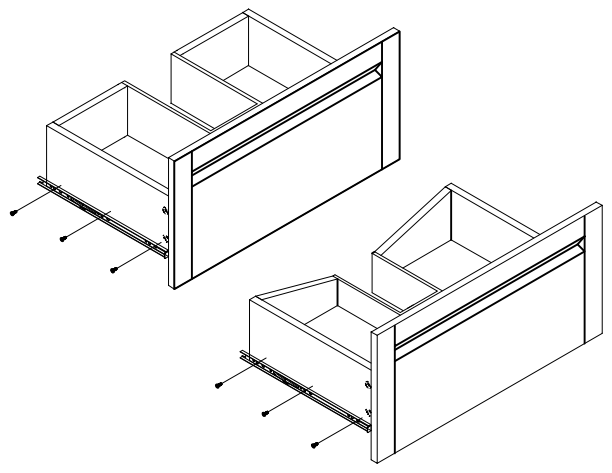
A		13PCS	
C		13PCS	
H		1PCS	
F		10PCS	



STEP 9


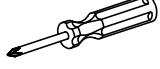

HARDWARE LIST

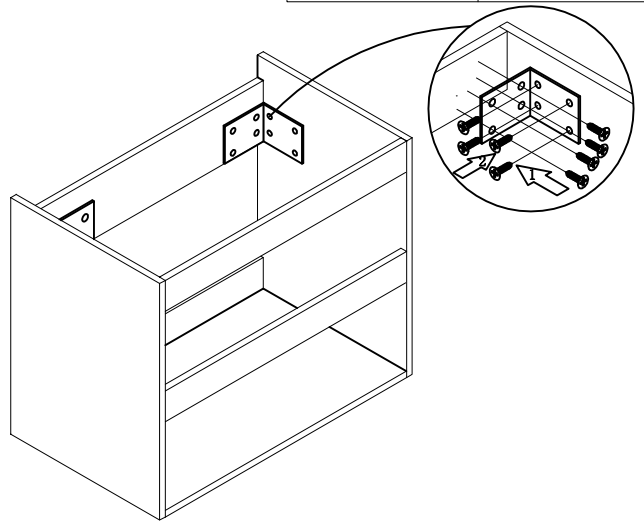
F		12PCS	



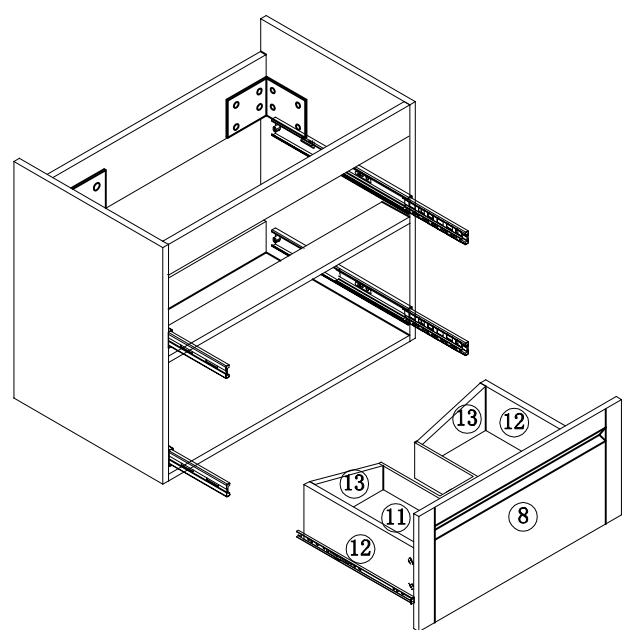
STEP 10

HARDWARE LIST

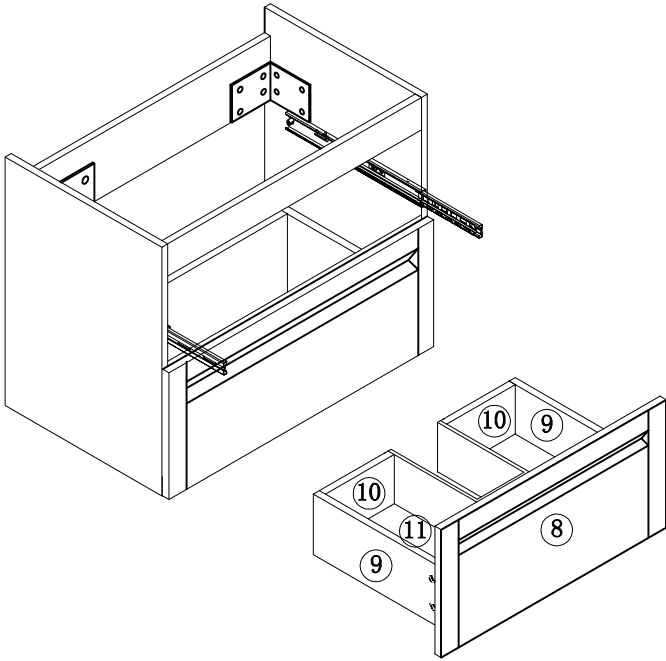
F		16PCS	
G		2PCS	



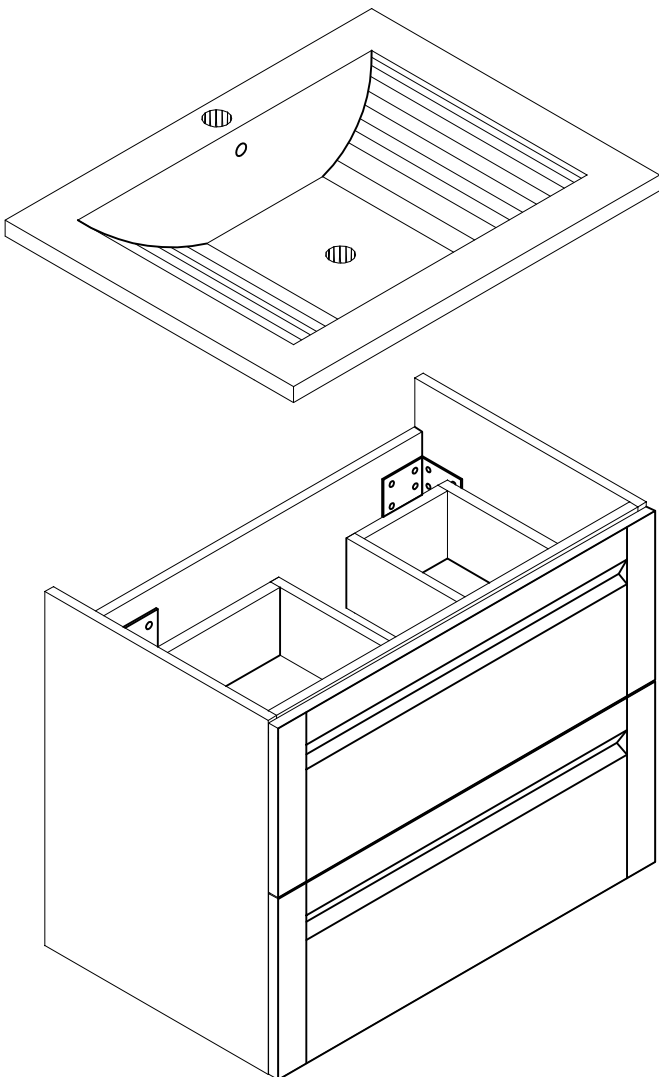
STEP 11



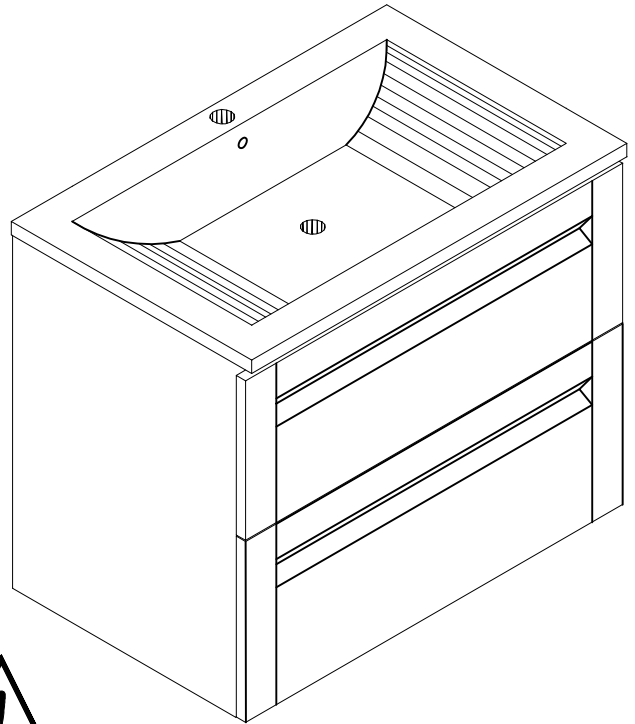
STEP 12



STEP 13



STEP 14



Choking hazard-Small Parts
: This unit contains small parts, not for children under 3 years.

Tip-over hazard : Secure finished unit to wall stud using L-Bracket and wall screw

(#10*1.5"W/out provided). If a wall stud is not neccessible ,consault your local hardware store for appropriate mounting hardware . Failure to properly install will result in product collapse or tip-over. Serious injury can occur .