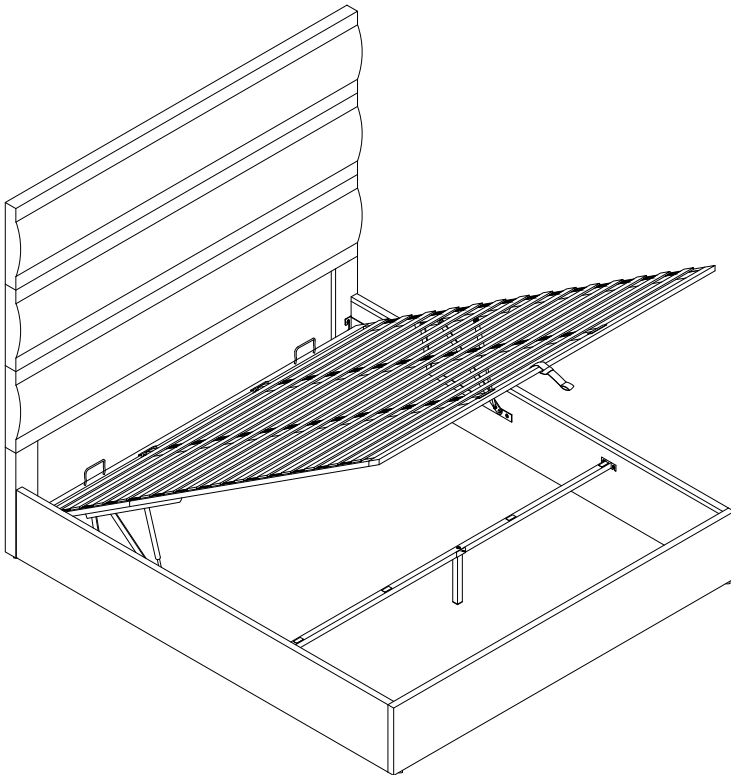


ASSEMBLY INSTRUCTION



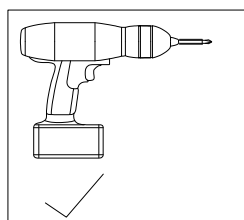
Please **TEAR OFF** this shrink film from side!
DO NOT USE CUTTER!

IMPORTANT NOTE

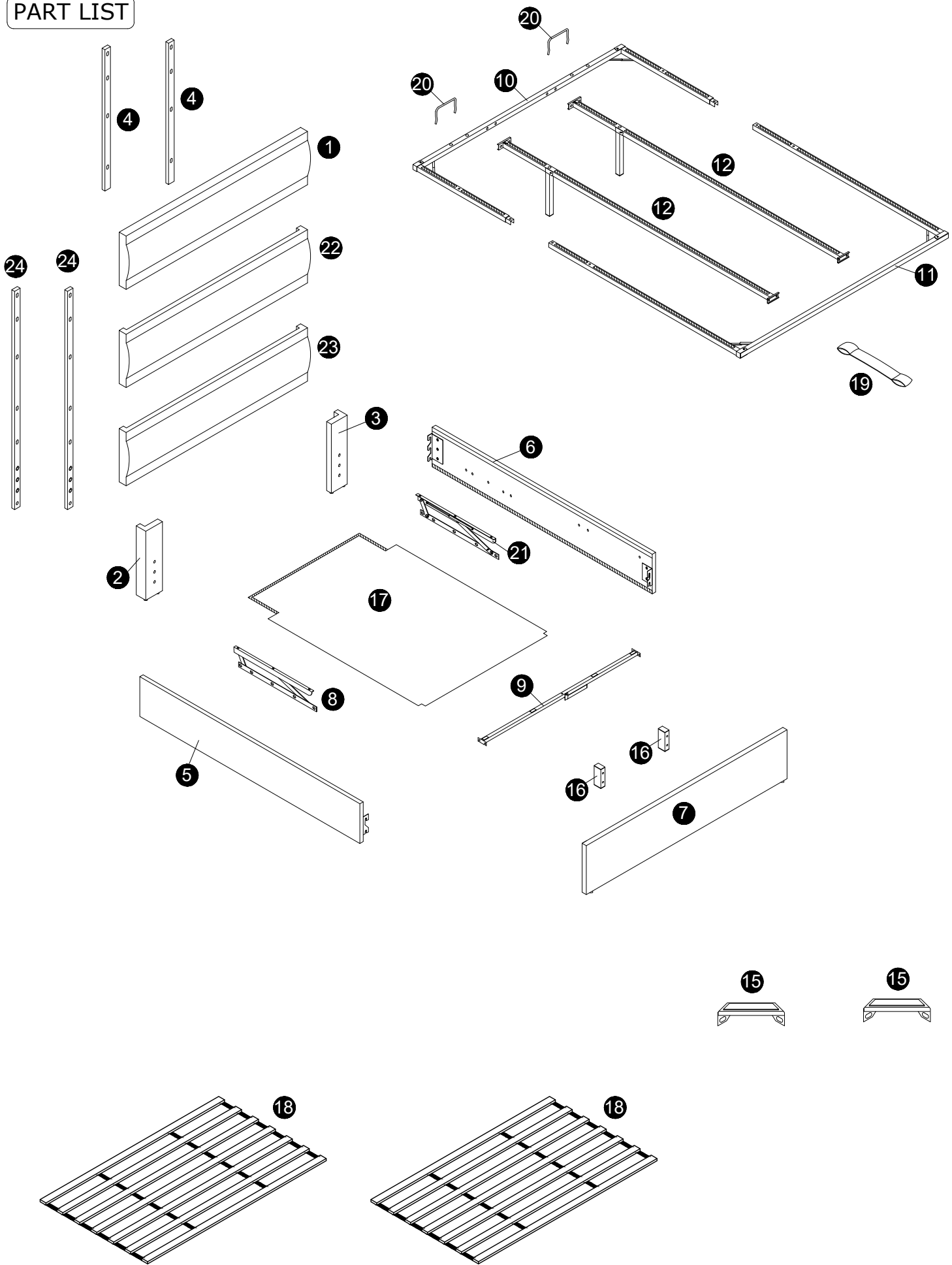
- FÈ For the protection of your furniture, place all parts on a clean and smooth surface toÁ prevent any damage.
- GÈ Keep fittings out of children's reach and keep children well away from construction area.
- HÈ When moving your assembled bed. it is best to lift the bed and never to drag it.
- I È Do not use this product if parts are missing, damaged or worn.
- Í È This product should only be used on firm, level ground.
- Î È Please periodically check all fittings and re-tighten as necessary.
- Ï È Do not use the bed unless all bolts and screws are firmly secured.
- Ì È For further assistance, please provide a screenshot of your order and contact us



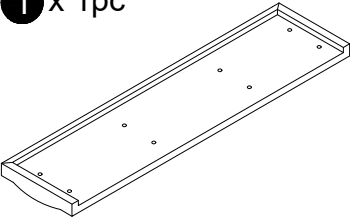
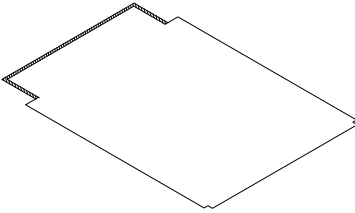
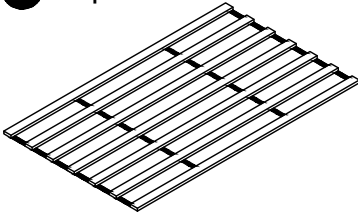
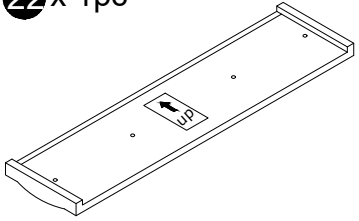
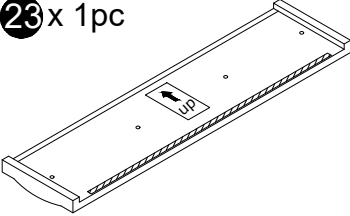
Minimum two
person assembly



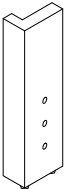
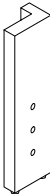
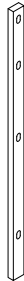
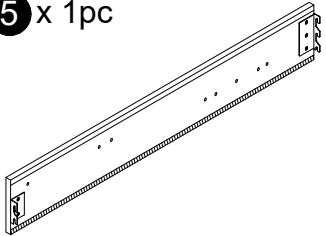
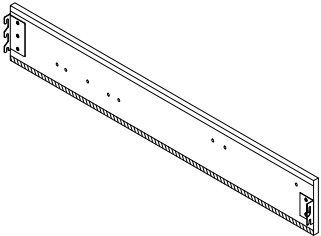
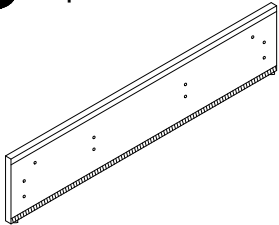
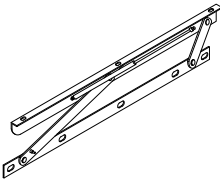
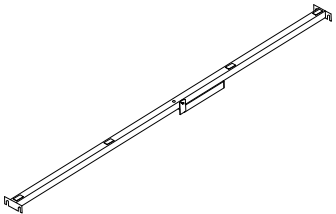
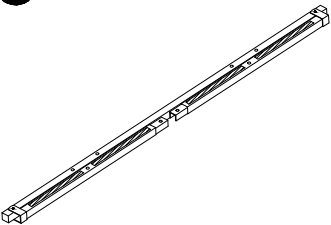
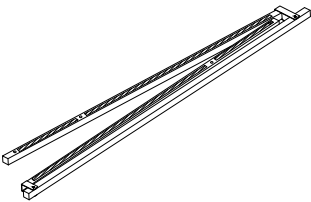
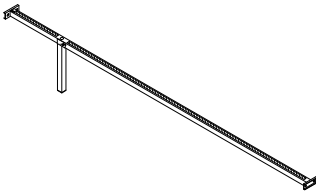
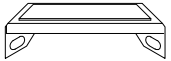

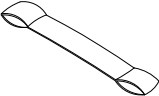

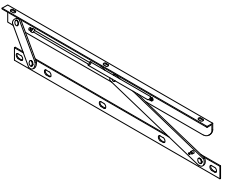
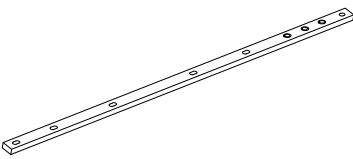
PART LIST



Components of Carton A

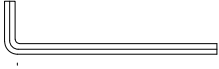






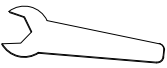

<p>1 x 1pc</p> 	<p>17 x 1pc</p> 	<p>18 x 2pcs</p> 	<p>22 x 1pc</p> 
<p>23 x 1pc</p> 			

Components of Carton B

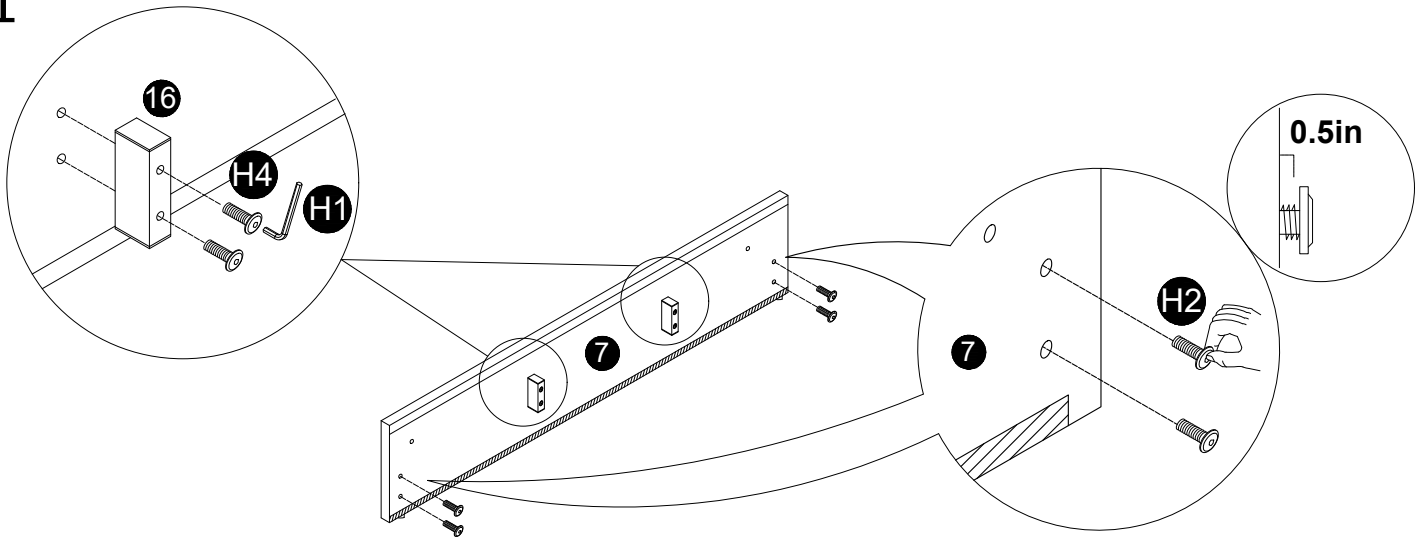
<p>2 x 1pc</p> 	<p>3 x 1pc</p> 	<p>4 x 2pcs</p> 	<p>5 x 1pc</p> 
<p>6 x 1pc</p> 	<p>7 x 1pc</p> 	<p>8 x 1pc</p> 	<p>9 x 1pc</p> 
<p>10 x 1pc</p> 	<p>11 x 1pc</p> 	<p>12 x 2pcs</p> 	<p>15 x 2pcs</p> 
<p>16 x 2pcs</p> 	<p>19 x 1pc</p> 	<p>20 x 2pcs</p> 	<p>21 x 1pc</p> 
<p>24 x 2pcs</p> 			

Please ensure to thoroughly inspect the small inner cardboard box containing the hardware, which are tied with a red string, before disposing of the box.

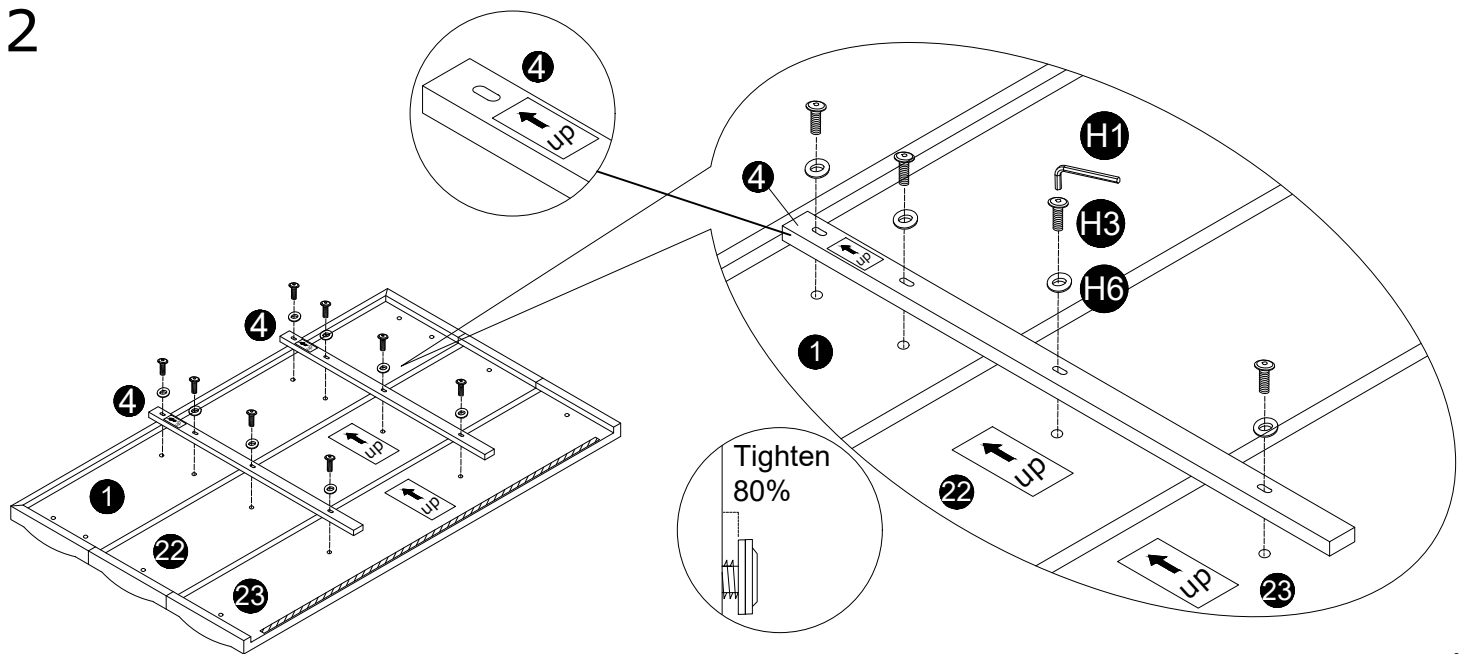
HARDWARE LIST

 H1 M5 x 1pc	 H2 M8x25mm x 30pcs	 H3 M8x40mm x 20pcs	 H4 M8x60mm x 4pcs
 H5 M8 x 6pcs	 H6 M8x22mm x 26pcs	 H7 M8 x 6pcs	 H8 M14 x 1pc
 H9 M8x50mm x 15pcs			

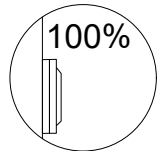
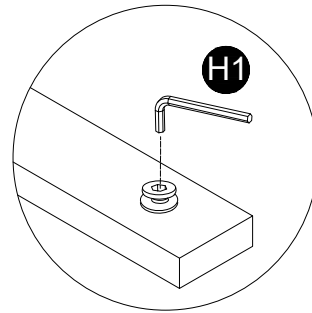
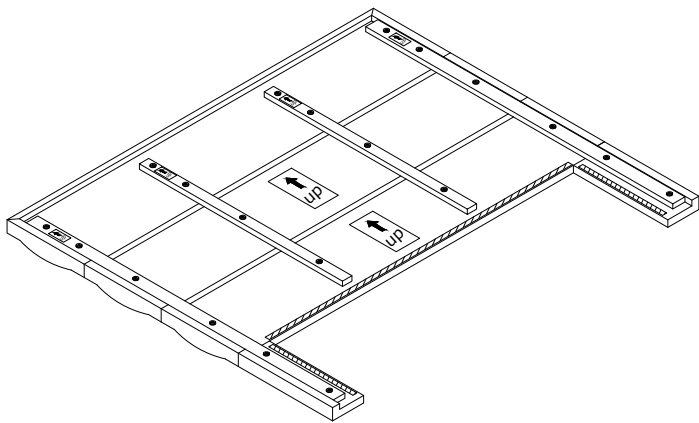
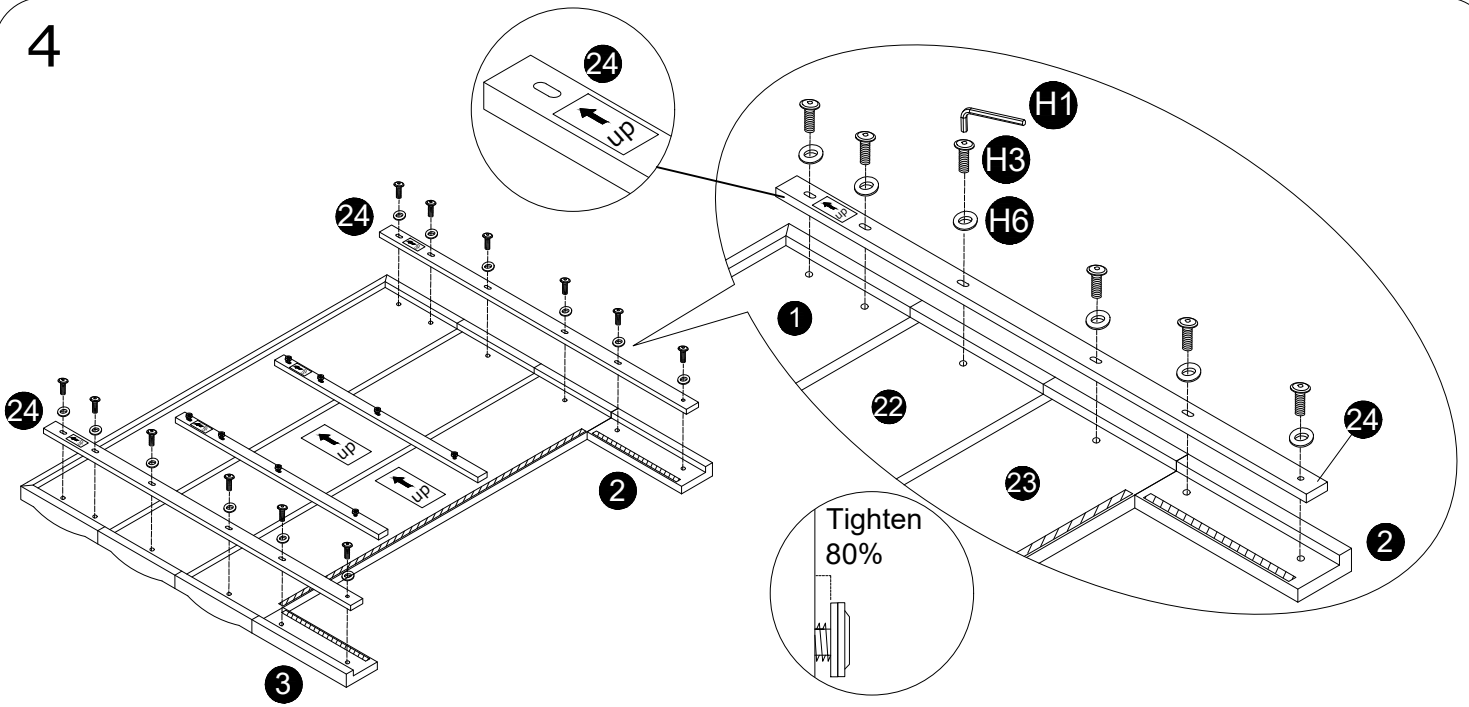
1



2

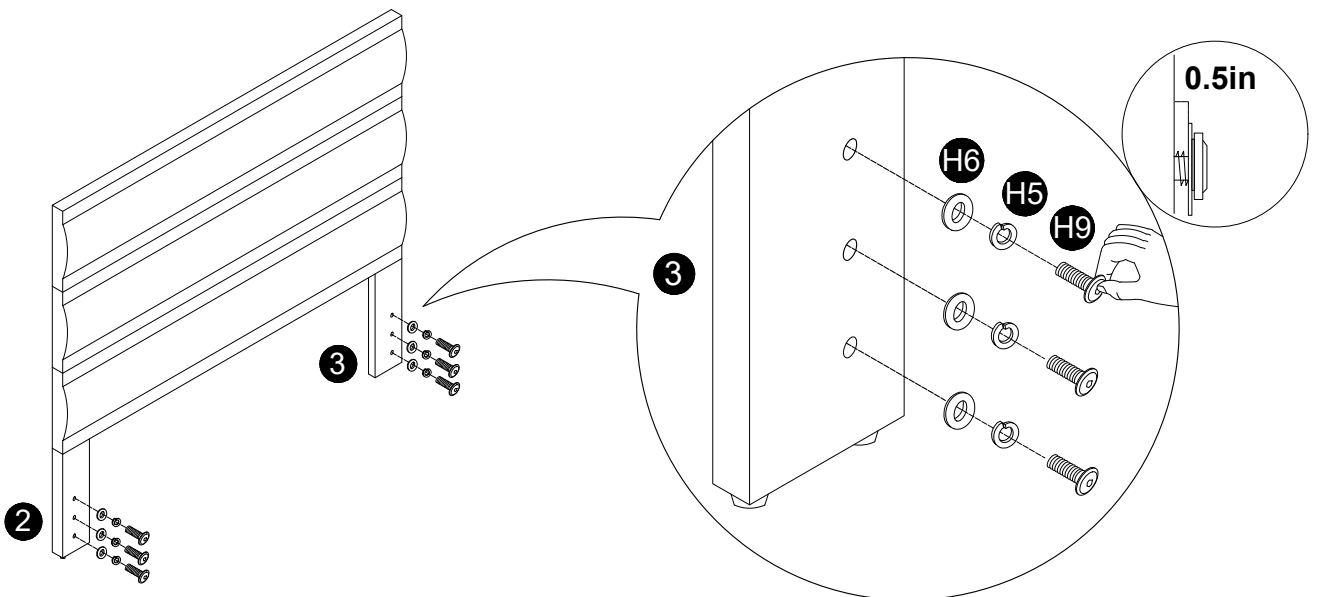


4

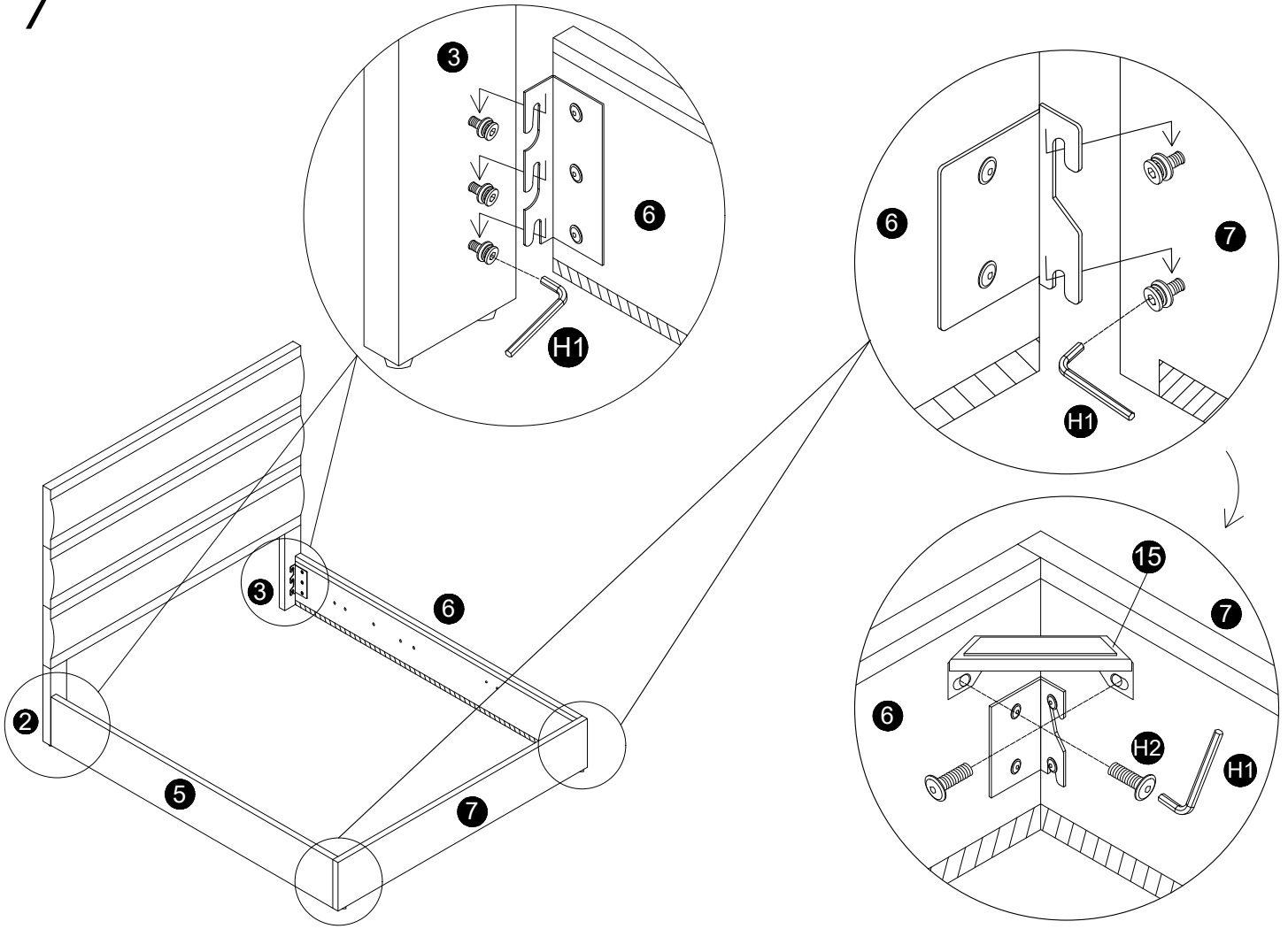


Fully tighten all fixings.

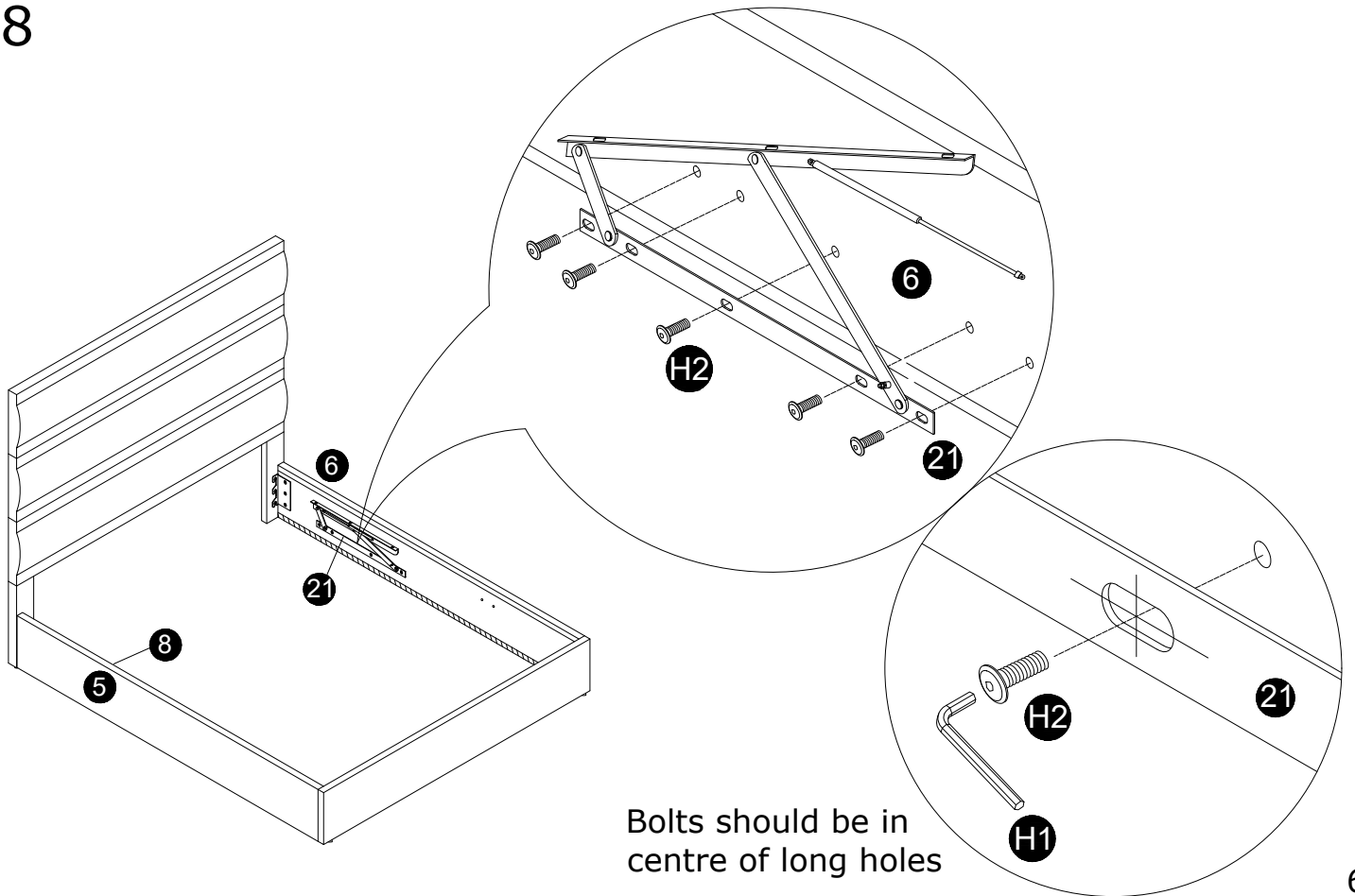
5



7

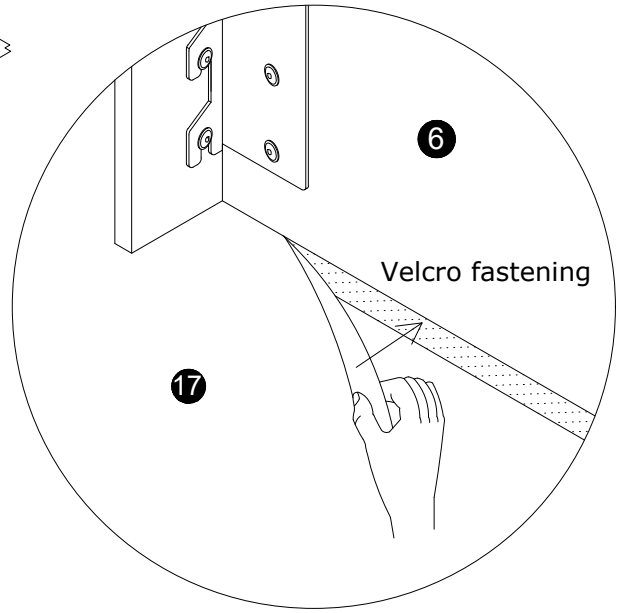
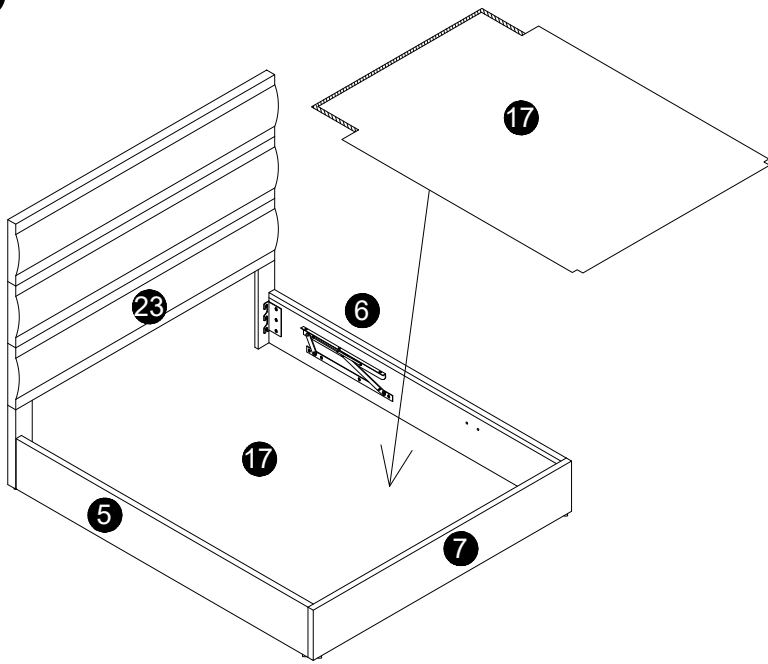


8

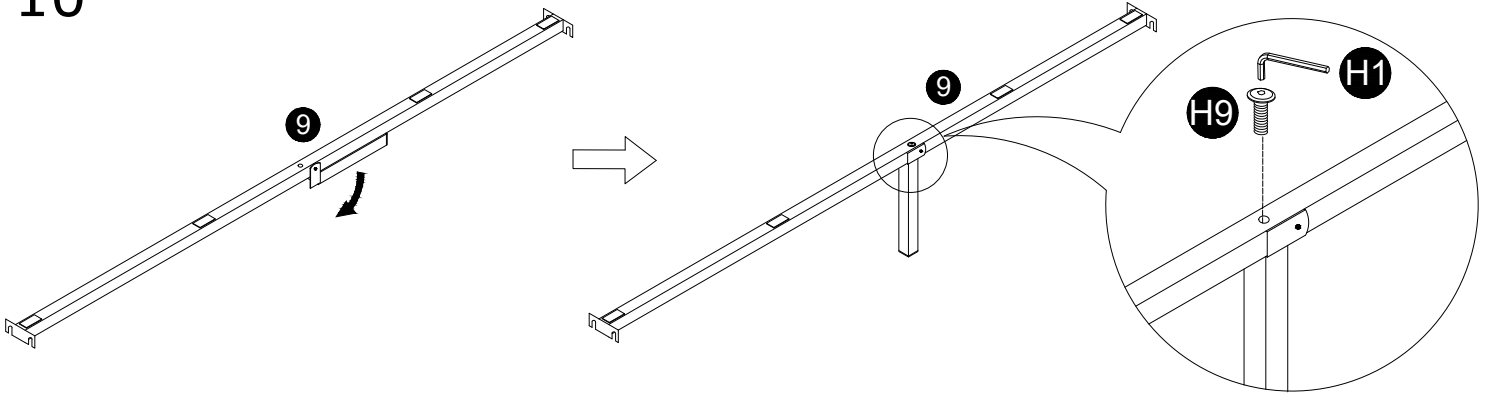


Bolts should be in centre of long holes

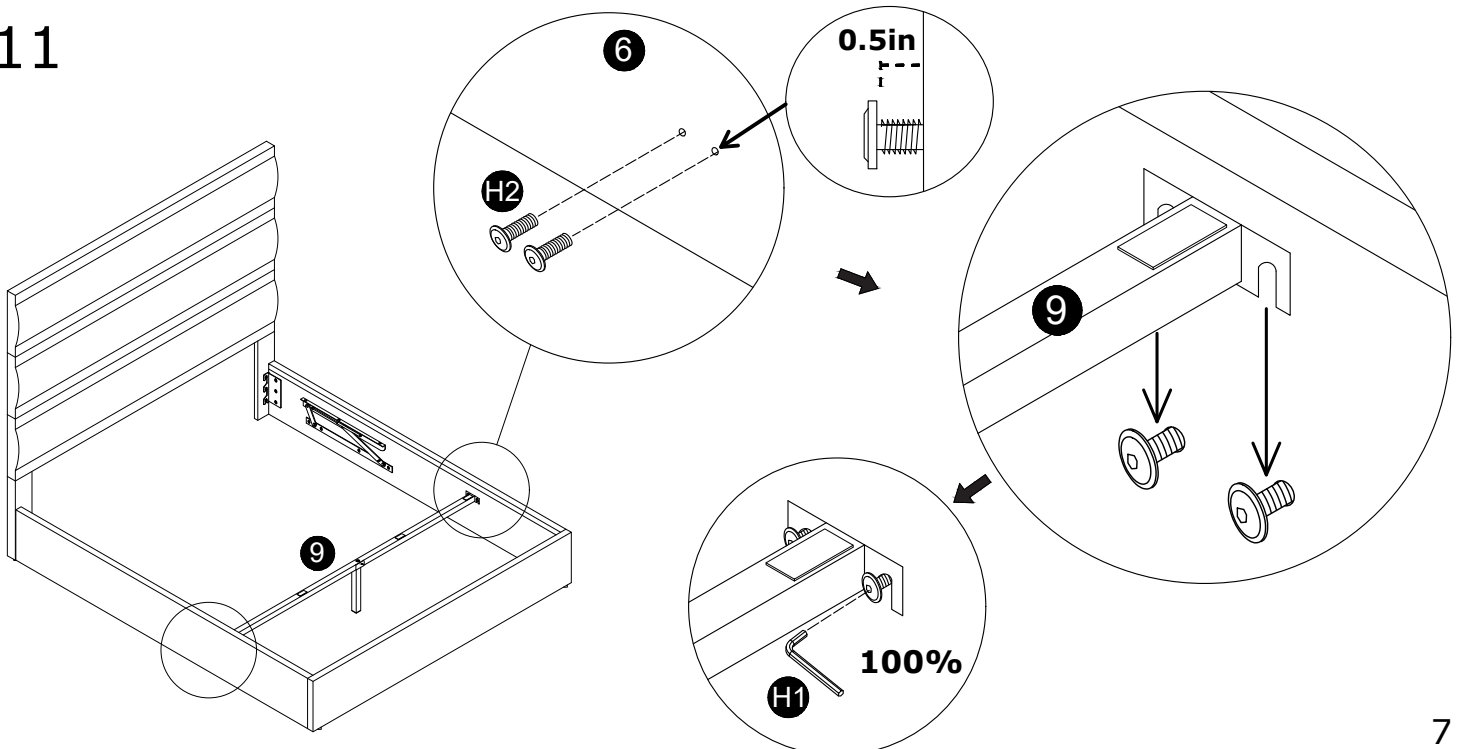
9



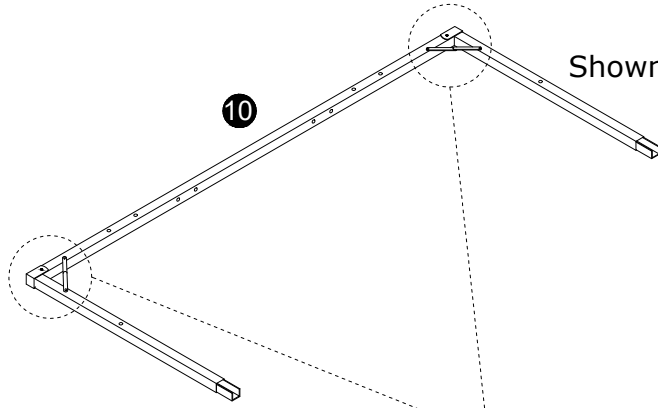
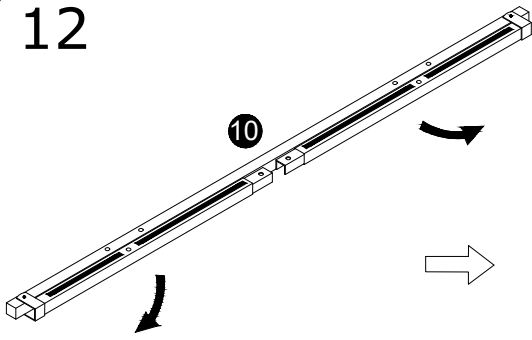
10



11

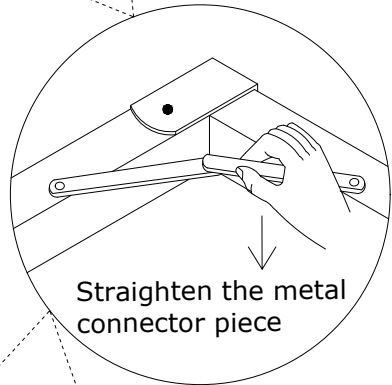


12

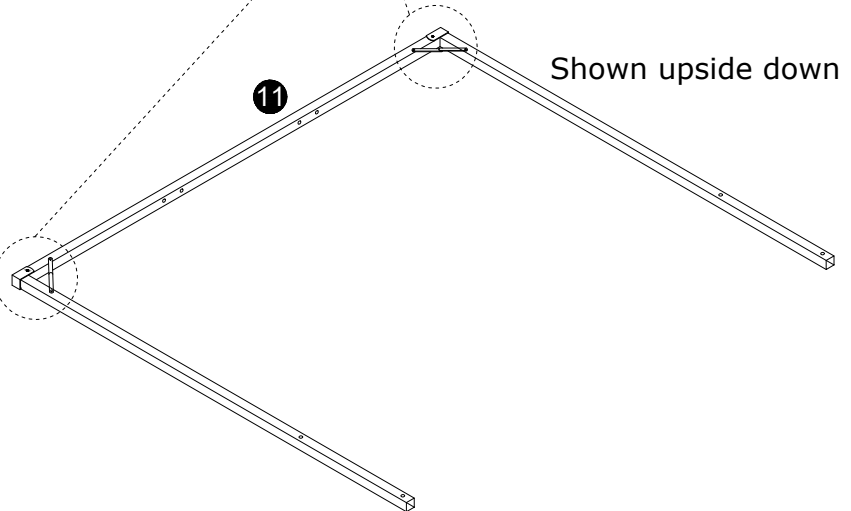
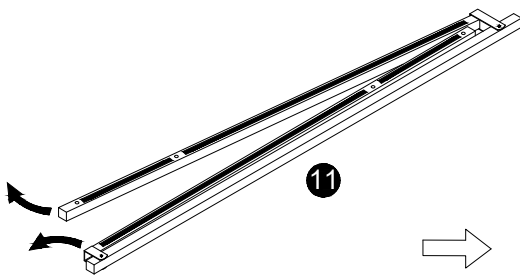


Shown upside down

BEWARE OF CLAMP HAND

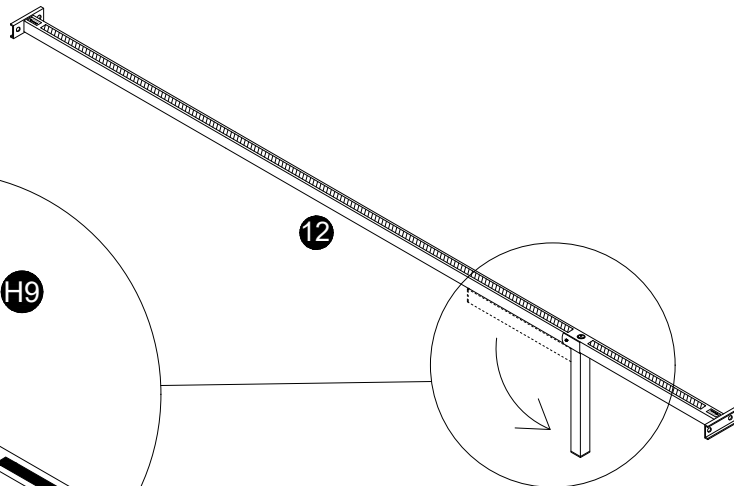


Straighten the metal connector piece

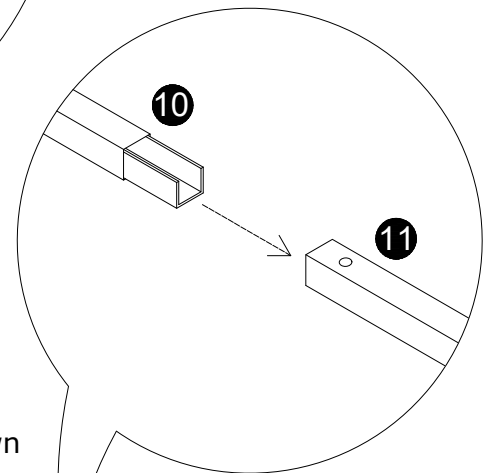
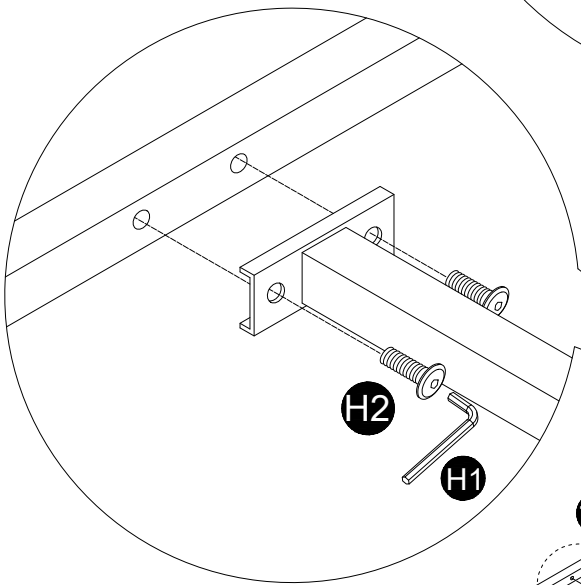
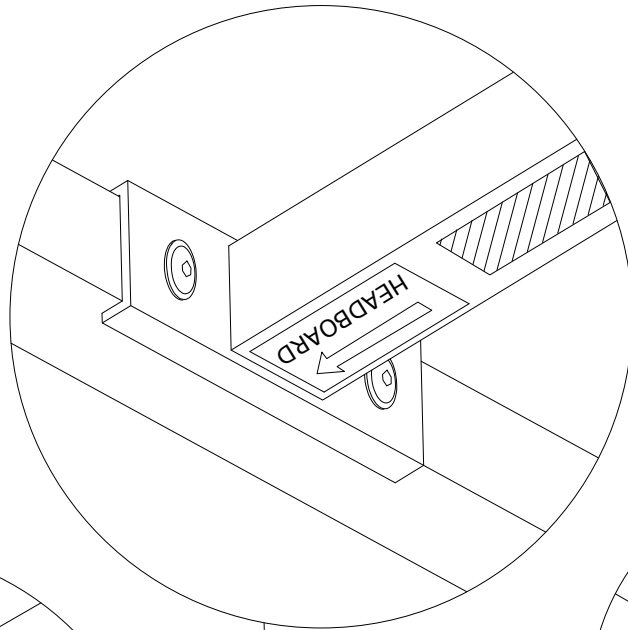


Shown upside down

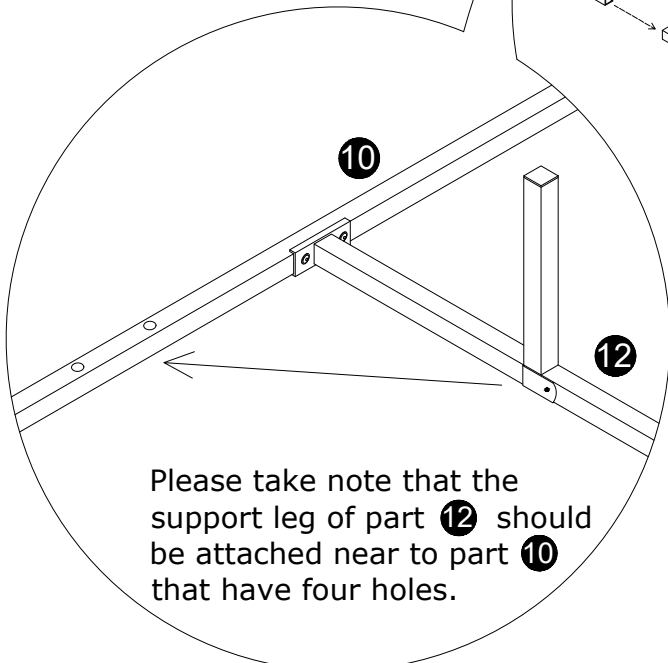
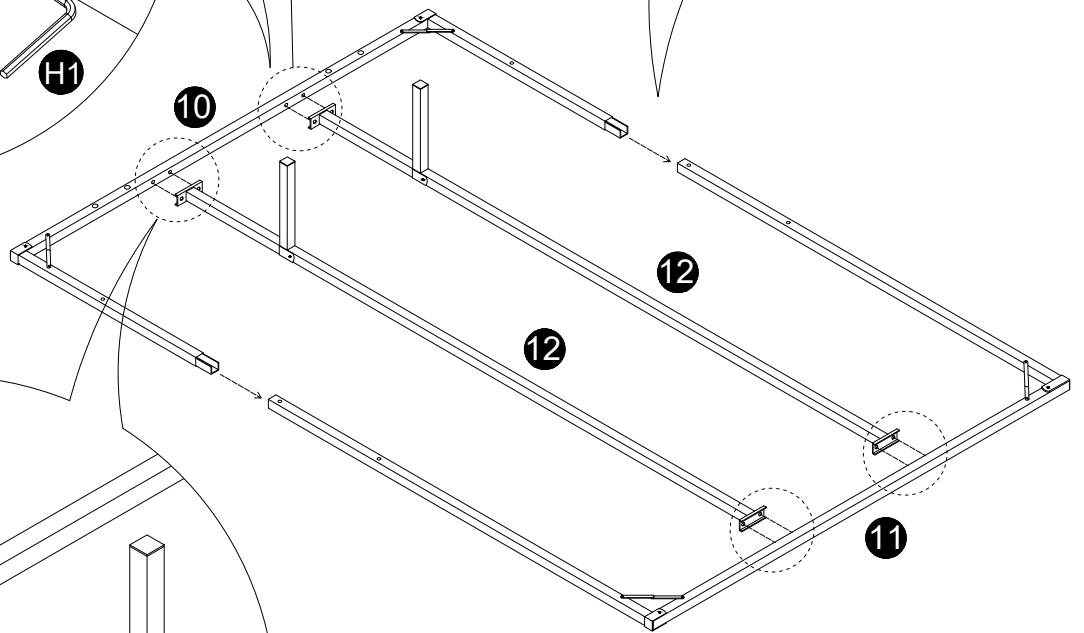
13



x2

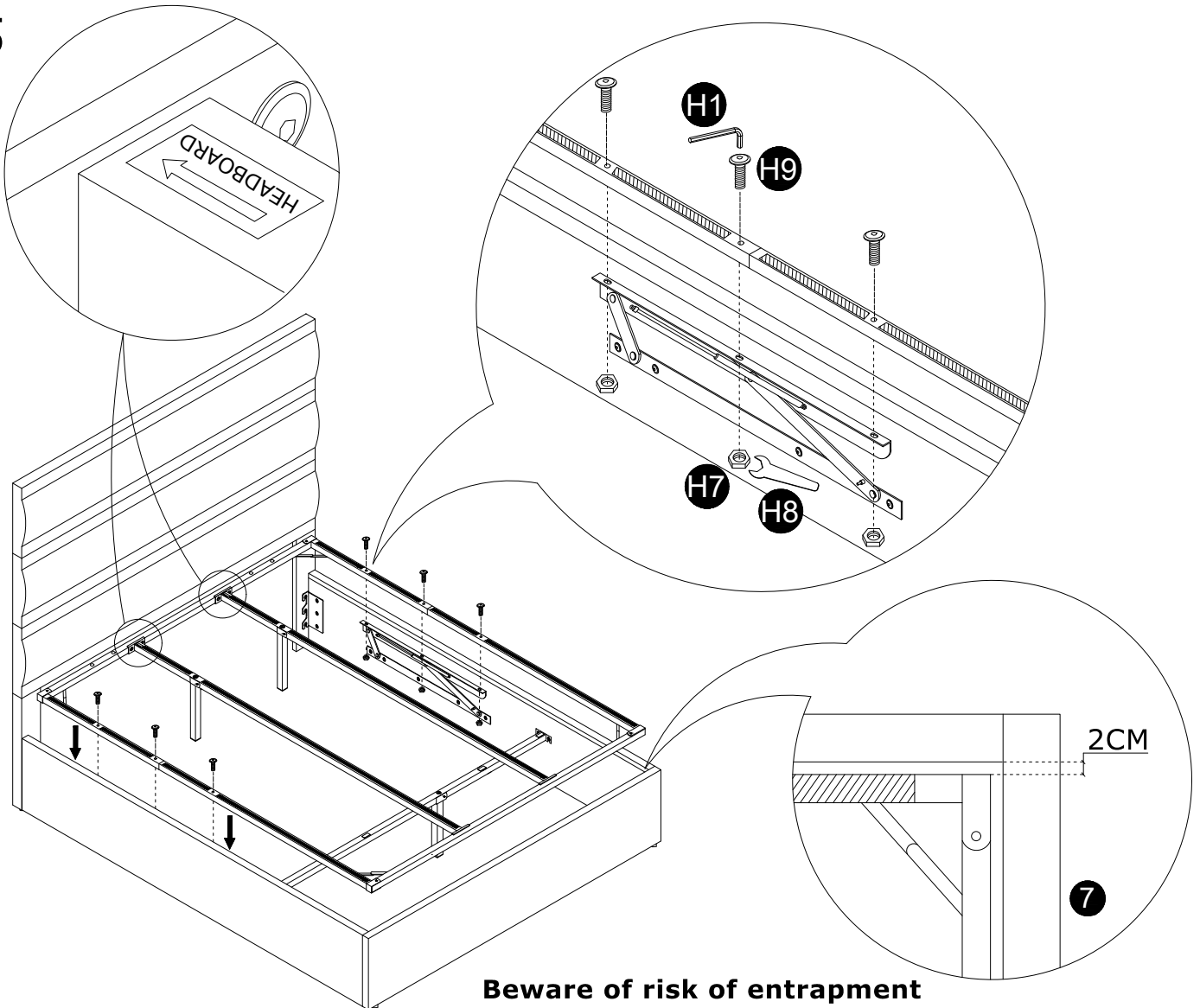


Shown upside down

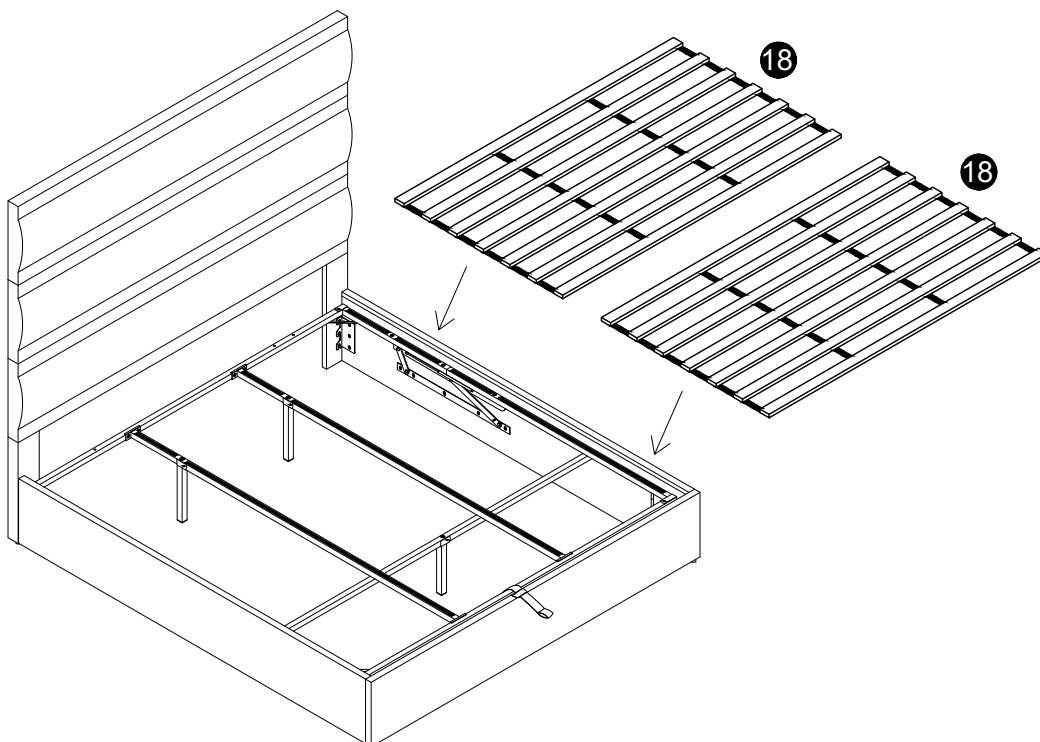


Please take note that the support leg of part 12 should be attached near to part 10 that have four holes.

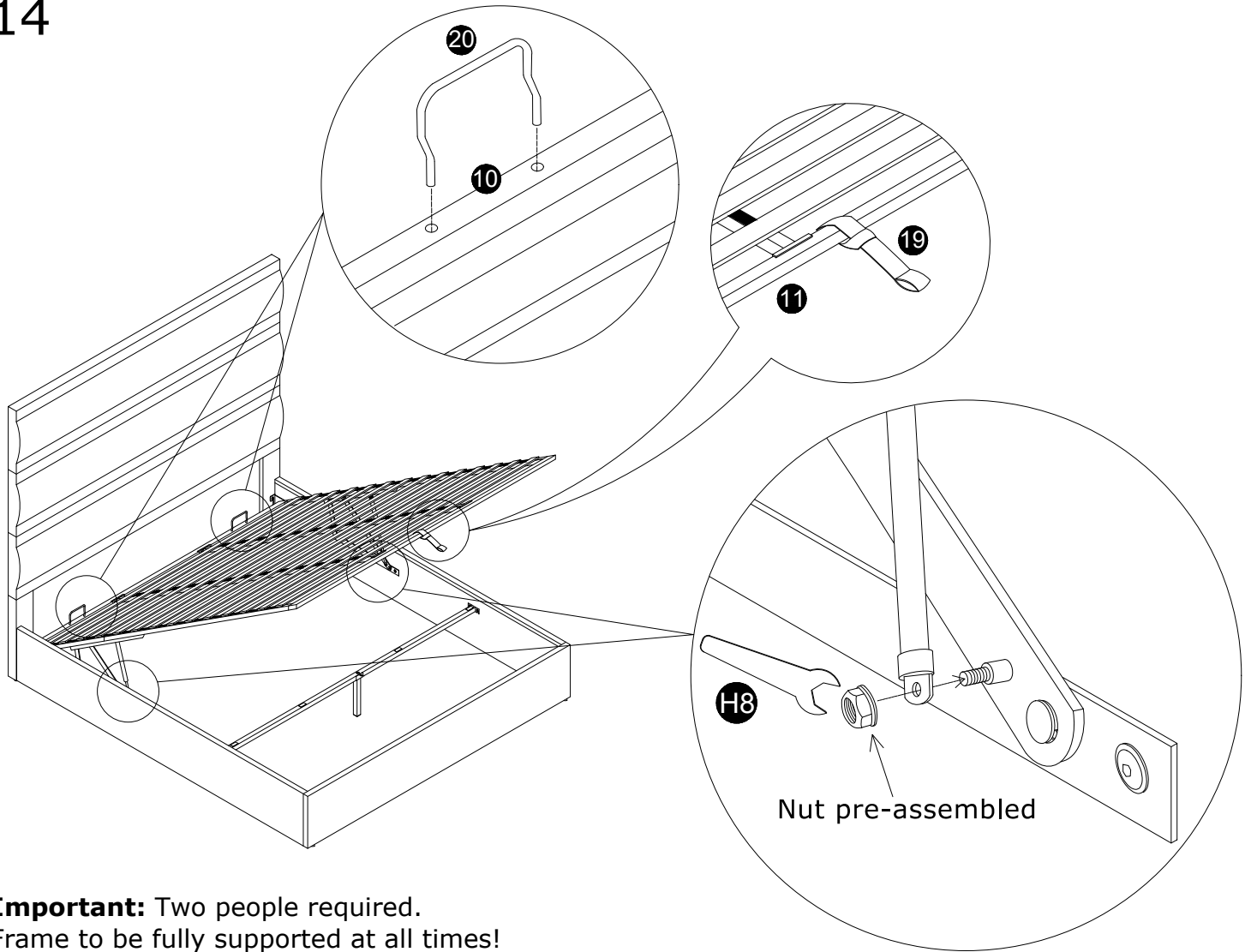
15



16

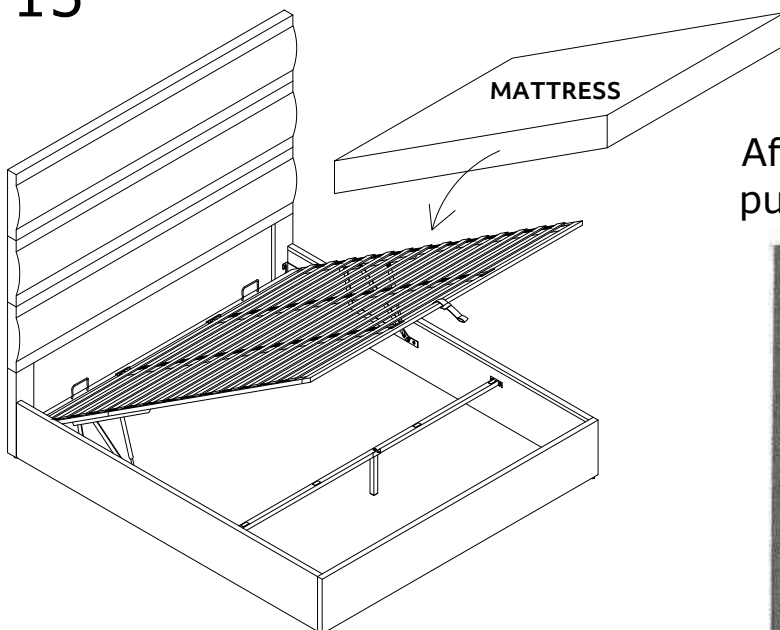


14

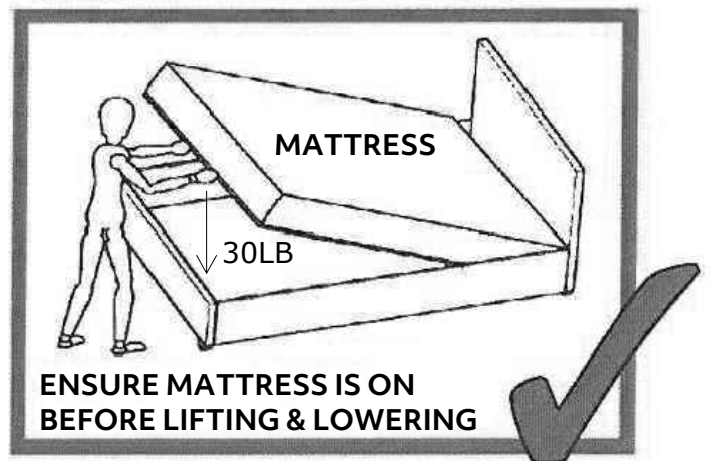


Important: Two people required.
Frame to be fully supported at all times!

15



After placing the mattress on frame,
push down the frame with 30lbs force.



Place the mattress on frame & Carefully lower the frame down.
Keep objects/body part & children away from moving parts.