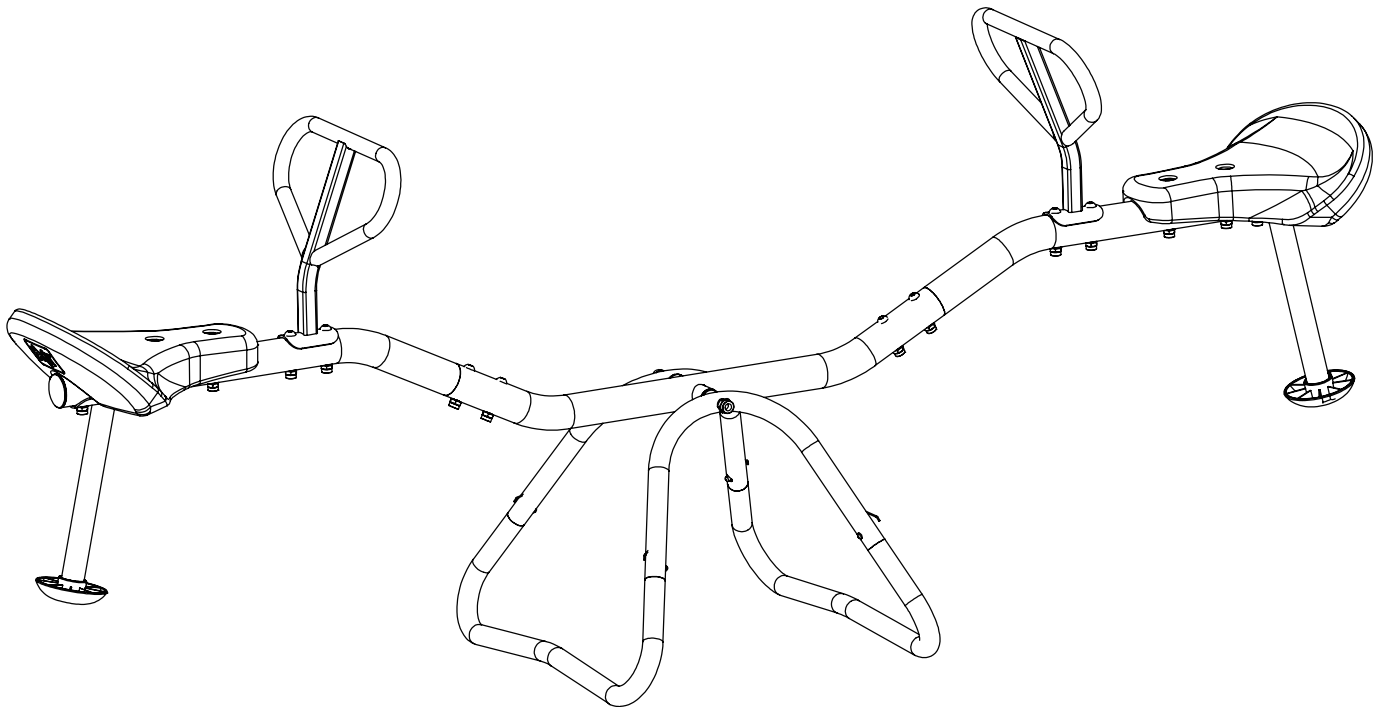


Assembly Installation, Care Maintenance and User Instructions Manual


Model STT200




⚠ WARNING

Read all precautions and instructions in this manual before using this equipment. Save this manual for future reference.
Maximum occupancy 2 users.
Maximum weight capacity . 80 lbs

AGES 4 to 8



⚠ WARNING!



Two capable adults required for all the assembly procedure. Failure to follow this warning could result in serious injury and/or property damage.

⚠ IMPORTANT

CHOKING HAZARD
due to small parts

Adult assembly required

Please retain for for future reference.



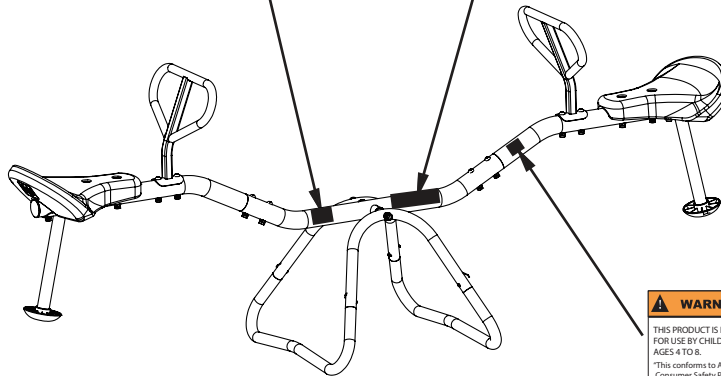
Skywalker Holdings LLC
PO Box 574, Brigham City, UT 84302
Model STT200

(Model STT200 ID label location)

Model STT200
 Skywalker Sports
 Stationary Teeter Totter
 Made in China
 Skywalker Holdings, LLC
 PO Box 547, Brigham City, UT, 84302 USA
 www.Skywalkerrampolines.com
 Factory address: Qingda Industrial Park
 Chengyang Qingdao Shandong China

WARNING
 Read the assembly, installation, care, maintenance, and use instructions in this manual prior to assembling and using this equipment. Save this manual for future reference.

(Warning label location)



WARNING
 THIS PRODUCT IS INTENDED FOR USE BY CHILDREN FROM AGES 4 TO 8.
 This conforms to ASTM F1148, Consumer Safety Performance Specification for Home Playground Equipment.

(Warning label advertencia)

CONTENTS

Questions	2
Replacement Parts.....	2
Warning.....	2
Warning for safe use	3
Assembly and Installation Instructions	3
Care and Maintenance Instructions.....	3
Play Ground Surfacing Materials.....	4
User Instructions.....	5
Parts Lists.....	6-7
Assembly.....	8-11
Limited Warranty.....	12

REPLACEMENT PARTS or QUESTIONS

If you have questions after reading this manual, please call our toll-free Customer Care Hot Line. Our trained technicians will provide immediate assistance.

Customer Care Hot Line: 1-866-603-5867
Monday --- Friday, 8:00 am ---- 5 p.m. Mountain Time

WARNING

Read the assembly, installation, care, maintenance, and use instructions in this manual prior to assembling and using this equipment. Save this manual for future reference.

BEFORE YOU BEGIN

Thank you for selecting a Skywalker Holdings Teeter Totter. The Teeter Totter will provide many years of backyard fun. Your Teeter Totter comes equipped with warnings and instructions for the assembly, care, maintenance, and use. This information must be read by all Teeter Totter supervisors and communicated to or read by all users before any person is allowed to use the Teeter Totter.

If you have any questions after reading this manual, please call our toll-free Customer Care line at 1-866-603-5867, Monday through Friday, 8 a.m. until 5 p.m. Mountain Time (excluding holidays)

INSTALLATION

WARNING! To reduce the risk of serious injury, read all important precautions and instructions in this manual and all warnings on the Teeter Totter before assembly and use of this product.

1. It is the responsibility of the owner and supervisors of this Teeter Totter to make sure all users obey the safety instructions printed in this material.
2. This product is intended for use by children ages 4 to 8.
3. Use the Teeter Totter only as described in this manual.
4. Always use the Teeter Totter under adult supervision.
5. Total Weight capacity is 80lbs.
6. Be sure that Teeter Totter is on a level surface, not less than 6 ft (1.8m) from any structure or obstruction such as a fence, garage, house, overhanging branches, laundry lines, or electrical wires.
7. Do not let children use equipment until properly assembled. Always inspect the Teeter Totter before it is used and replace any worn, defective, or missing parts. (Users may be hurt if the teeter Totter is used when it is in poor condition.) Do not install over concrete, asphalt, packed earth, grass, carpet, or any other hard surface.
8. Never set-up the teeter totter in heavy rain, wind, or storm conditions, especially storms.
9. When moving the assembled teeter totter, have at least two people evenly hold the frame to lift the teeter totter off the ground.
10. Inspect the teeter totter before each use and replace any worn, defective, or missing parts. The following conditions could present potential hazards: a bent or broken frame or support system, sharp protrusions on the frame or suspension, loosened or missing hardware.
11. "This conforms to ASTM F1148, Consumer Safety Performance Specification for Home Play-ground Equipment."
12. Maximum fall height for the product is determined as follows:
Rocks and seesaws = maximum height of the designated play surface normally occupied by a user.
13. Warning the owner to dress children with wellfitting and full foot enclosing footwear. Examples of inappropriate footwear are clogs, flip flops, and sandals.

PLAYGROUND SURFACING MATERIALS INFORMATION

The following information is from Section 4 of the **United States Consumer Product Safety Commission's (USCPS)** Outdoor Home Playground Safety Handbook for playground surfacing material.

X3. SECTION 4 OF THE CONSUMER PRODUCT SAFETY COMMISSION'S OUTDOOR HOME PLAYGROUND SAFETY HANDBOOK

X3.1 Select Protective Surfacing — One of the most important things you can do to reduce the likelihood of serious head injuries is to install shock-absorbing protective surfacing under and around your play equipment. The protective surfacing should be applied to a depth that is suitable for the equipment height in accordance with ASTM Specification F1292. There are different types of surfacing to choose from; which ever product you select, follow these guidelines:

X3.1.1 Loose Fill Materials:

X3.1.1.1 Maintain a minimum depth of 9 inches of loose-fill materials such as wood mulch/chips, engineered woodfiber (EWF), or shredded/recycled rubber mulch for equipment up to 8 feet high; and 9 inches of sand or pea gravel for equipment up to 5 feet high. NOTE: An initial fill level of 12 inches will compress to about a 9-inch depth of surfacing over time. The surfacing will also compact, displace, and settle, and should be periodically refilled to maintain at least a 9-inch depth.

X3.1.2 Use a minimum of 6 inches of protective surfacing for play equipment less than 4 feet in height. If maintained properly, this should be adequate. (At depths less than 6 inches, the protective material is too easily displaced or compacted.) NOTE: Do not install home playground equipment over concrete, asphalt, or any other hard surface. A fall onto a hard surface can result in serious injury to the equipment user. Grass and dirt are not considered protective surfacing because wear and environmental factors can reduce their shock absorbing effectiveness. Carpeting and thin mats are generally not adequate protective surfacing. Ground level equipment such as a sandbox, activity wall, playhouse or other equipment that has no elevated play surface does not need any protective surfacing.

X3.1.3 Use containment, such as digging out around the perimeter and/or lining the perimeter with landscape edging. Don't forget to account for water drainage.

X3.1.3.1 Check and maintain the depth of the loose-fill surfacing material. To maintain the right amount of loose-fill materials, mark the correct level on play equipment support posts. That way you can easily see when to replenish and/or redistribute the surfacing.

X3.1.3.2 Do not install loose fill surfacing over hard surfaces such as concrete or asphalt.

X3.1.4 Poured-In-Place Surfaces or Pre-Manufactured Rubber Tiles — You may be interested in using surfacing other than loose-fill materials like rubber tiles or poured-in-place surfaces.

X3.1.4.1 Installations of these surfaces generally require a professional and are not "do-it-yourself" projects.

X3.1.4.2 Review surface specifications before purchasing this type of surfacing. Ask the installer/manufacturer for a report showing that the product has been tested to the following safety standard: ASTM F 1292 Standard Specification for Impact Attenuation of Surfacing Materials within the Use Zone of Playground Equipment. This report should show the specific height for which the surface is intended to protect against serious head injury. This height should be equal to or greater than the fall height – vertical distance between a designated play surface (elevated surface for standing, sitting, or climbing) and the protective surfacing below – of your play equipment.

X3.1.4.3 Check the protective surfacing frequently for wear.

X3.1.5 Placement — Proper placement and maintenance of protective surfacing is essential. Be sure to:

X3.1.5.1 Extend surfacing at least 6 feet from the equipment in all directions.

X3.1.5.2 For tire swings, extend protective surfacing in front of and behind the swing to a distance equal to twice the height of the top bar from which the swing is suspended.

X3.1.5.3 For tire swings, extend surfacing in a circle whose radius is equal to the height of the suspending chain or rope, plus 6 feet in all directions.

This information has been extracted from the CPSC publications "Playground Surfacing — Technical Information Guide" and "Handbook for Public Playground Safety." Copies of these reports can be obtained by sending a postcard to the: Office of Public Affairs, U.S. Consumer Product Safety Commission, Washington, D.C., 20207 or call the toll-free hotline: 1-800-638-2772.

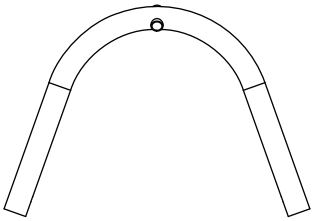
USER INSTRUCTIONS

Observing the following statement and warnings reduces the likelihood of serious or fatal injury.

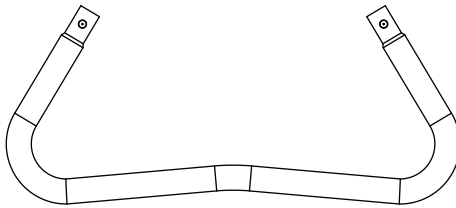
1. The Teeter Totter is designed for up to 2 persons and not to exceed 80 lbs. total weight limit.
2. Read all instructions and complete all assembly before using.
3. Instruct children not to walk close to, in front of, behind, or between moving items. Instruct children to keep a safe distance away to keep from being struck by items in play.
4. Instruct children not to use the equipment in any manner other than intended.
5. Instruct children not to get off equipment while it is in motion. Do not allow children to jump from moving play items.
6. Dress children in comfortable clothing free of hooks, snaps, drawstrings or anything which may snag or catch in the teeter totter.
7. On-site adult supervision for children of all ages at all times is required.
8. To reduce risk of entanglement, keep small children away from the teeter totter area at all times.
9. When properly assembled and used as intended, this teeter totter is designed to provide many hours of playing enjoyment.
10. Never let children climb on the teeter totter as this can result in the teeter totter falling over causing serious injury or death.
11. The metal frame of the teeter totter will conduct electricity. Lights, extension cords, and all such electrical equipment must never be allowed to come in contact with the teeter totter.
12. Inspect the teeter totter before each use. Make sure all parts are correctly and securely positioned and attached. Tighten any loose hardware and replace any worn, defective, or missing parts.

PARTS LIST FOR TEETER TOTTER

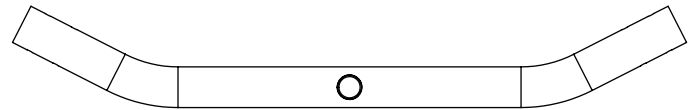
Key No.	Qty.	Description	Key No.	Qty.	Description
1	2	Fixed Pole	12	4	M8X53 Bolt
2	2	Support Pole	13	1	M8X174 Spindle
3	1	Rotation Pole Assembly	14	2	M6X15 Bolt
4	2	Seat Pole Assembly	15	18	M8 Locknut
5	2	Handle	16	2	M10 Washer
6	2	Seat	17	1	6mm Hex Key
7	2	Limit Frame	18	1	L-Screwdriver
8	2	Cushion	19	1	Wrench
9	4	M8X53 Square Bolt			
10	4	M8X50 Bolt			
11	4	M8X68 Bolt			



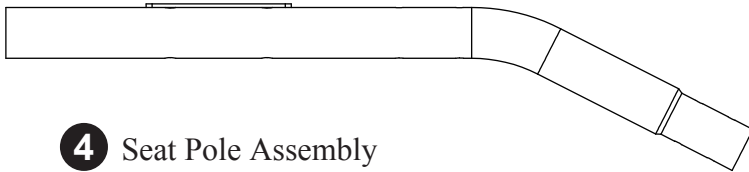
1 Fixed Pole



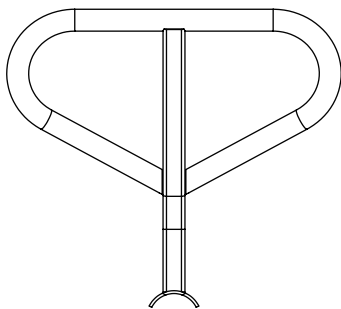
2 Support Pole



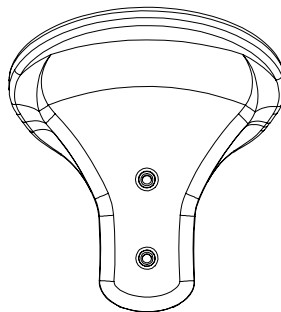
3 Rotation pole Assembly



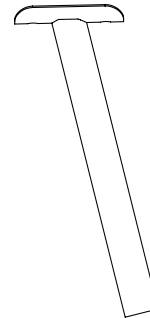
4 Seat Pole Assembly



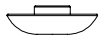
5 Handle



6 Seat

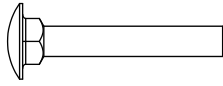


7 Limit Frame

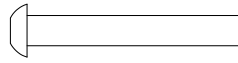


8 Cushion

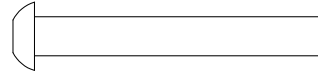
PARTS LIST FOR TEETER TOTTER



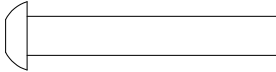
9 M8X53 Bolt



10 M8X50 Bolt



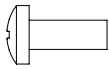
11 M8X68 Bolt



12 M8X53 Bolt



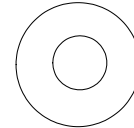
13 M8X174 Spindle



14 M6X15 Bolt



15 M8 Locknut



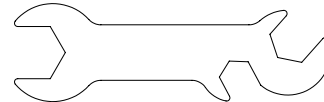
16 M10 Washer



17 6mm Hex Key



18 L-Screwdriver

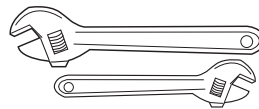


19 Wrench

TOOLS REQUIRED



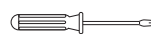
- Two (2) Capable Adults



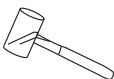
- Large and Small Adjustable Wrenches



- Tape Measure



- #2 or #3 Phillips Screwdriver

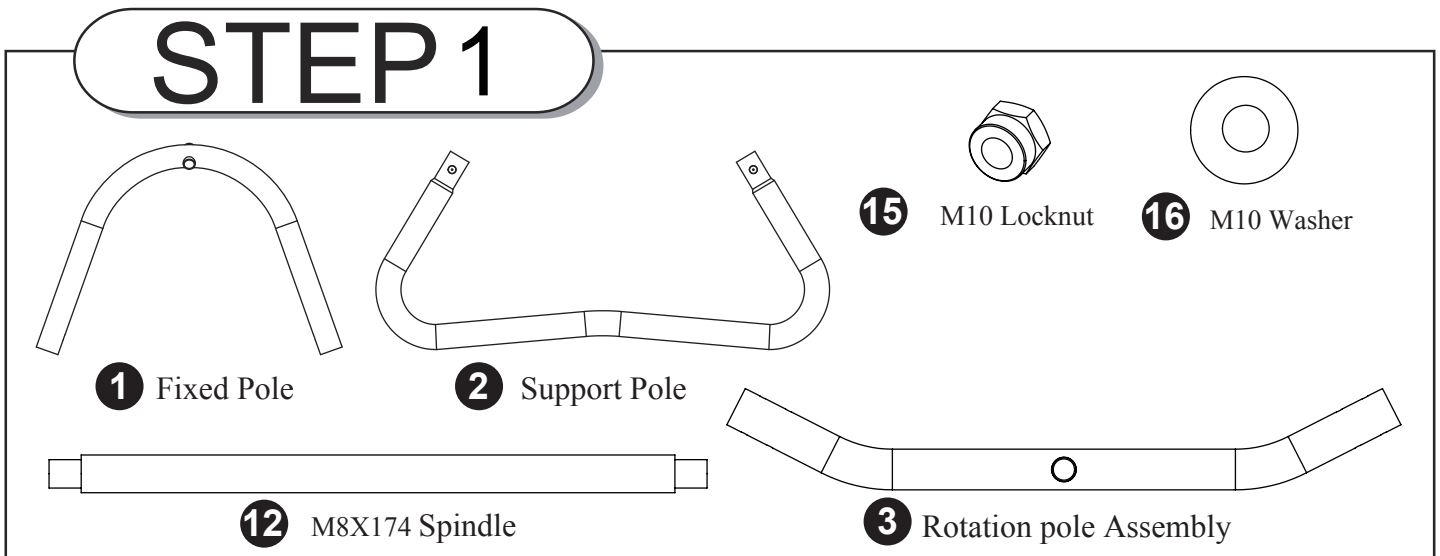


- Hammer

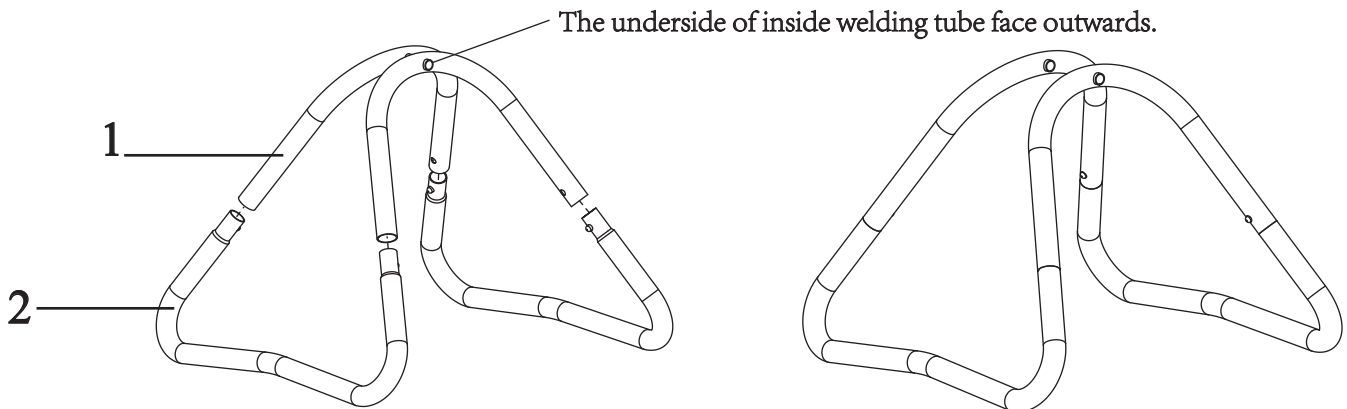


- Safety Glasses

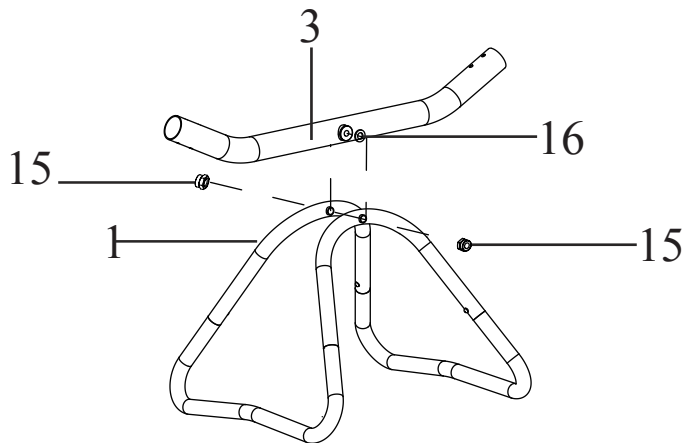
STEP 1



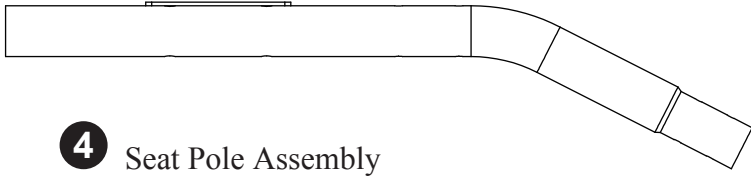
Insert the two support poles (2) into the Fixed Pole (1). Make sure the buttons snap into place.



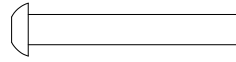
Attach the rotation pole assembly (3) to the Fixed Pole (1) using the M8X174mm Spindle (12), two M10 Washers (17) and two M8 Locknuts (16). Do not tighten the bolt completely to ensure that the change point turns smoothly.



STEP 2



4 Seat Pole Assembly

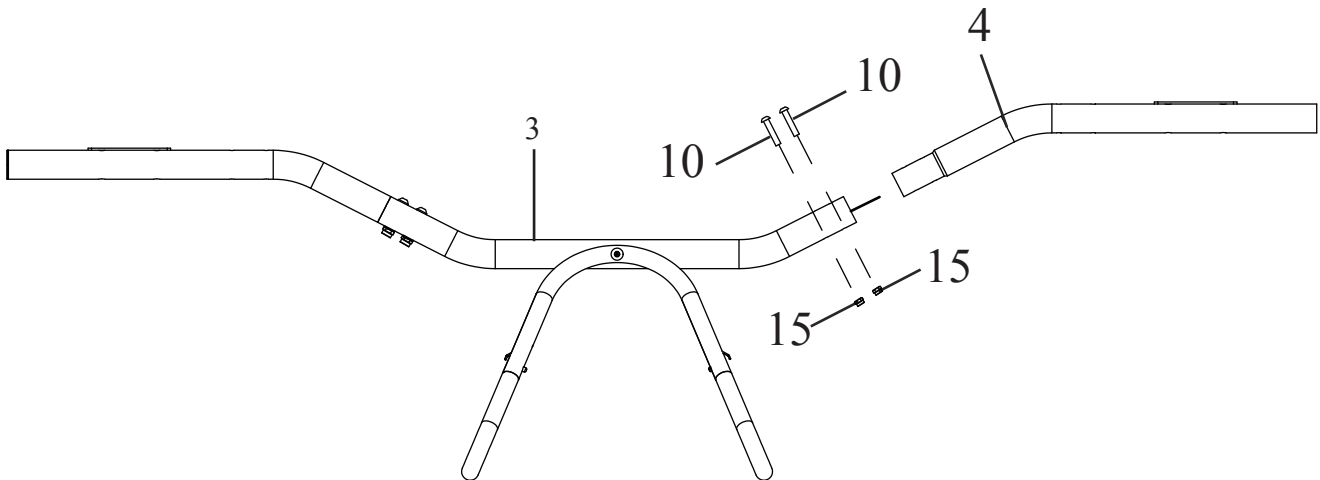


10 M8X50 Bolt

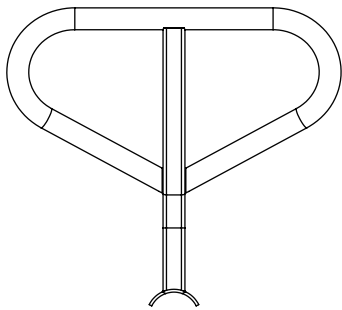


15 M8 Locknut

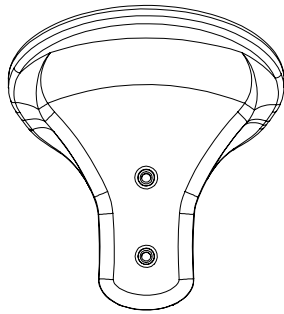
Attach the seat pole assembly (4) to the rotation pole assembly (3) using two M8X50mm bolts (10) and two M8 Locknuts (15). Repeat this step on the other side of the weight system.



STEP 3



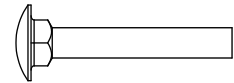
5 Handle



6 Seat



12 M8X53 Bolt

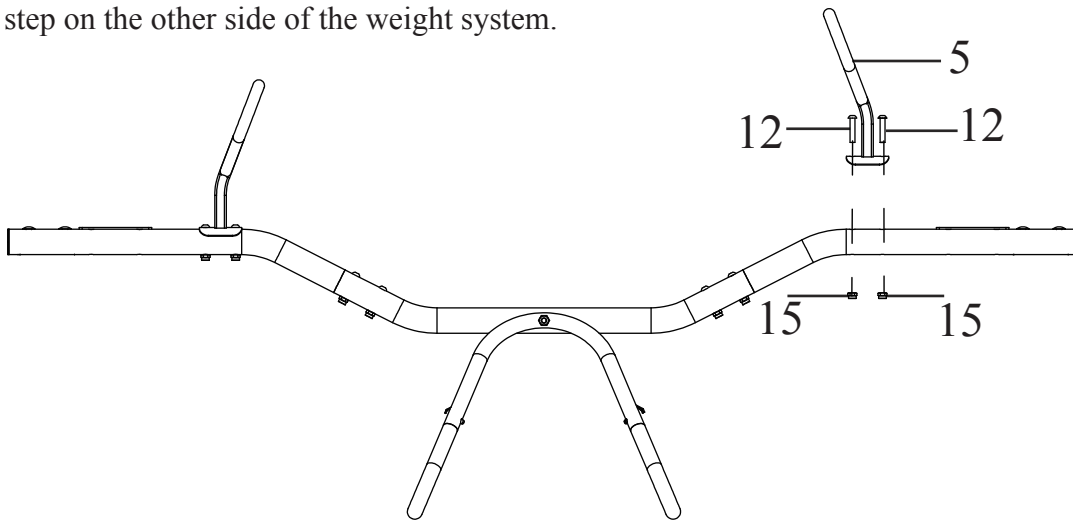


9 M8X53 Square Bolt

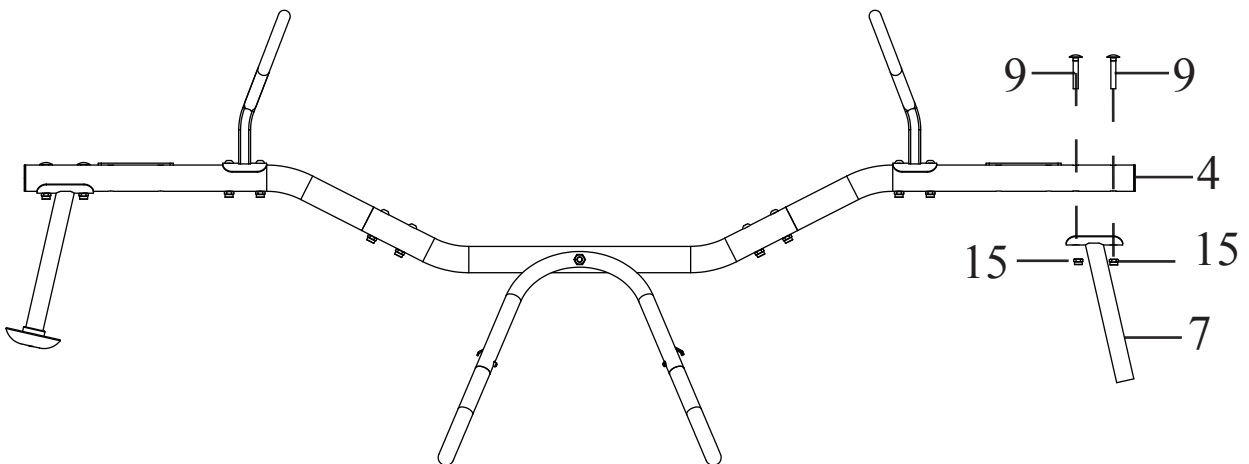


15 M8 Locknut

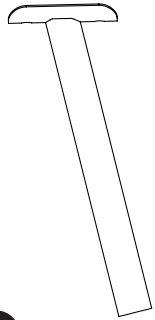
Attach the handle (5) to the seat pole assembly (4) using two M8X55mm bolts (12) and two M8 Locknuts (15). Repeat this step on the other side of the weight system.



Install the Limit Frame (7) to the seat pole assembly (4) using two M8X53mm Square Bolt (9) and two M8 Locknuts (15). Repeat this step on the other side of the weight system.



STEP 4



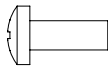
7 Limit Frame



11 M8X68 Bolt



8 Cushion

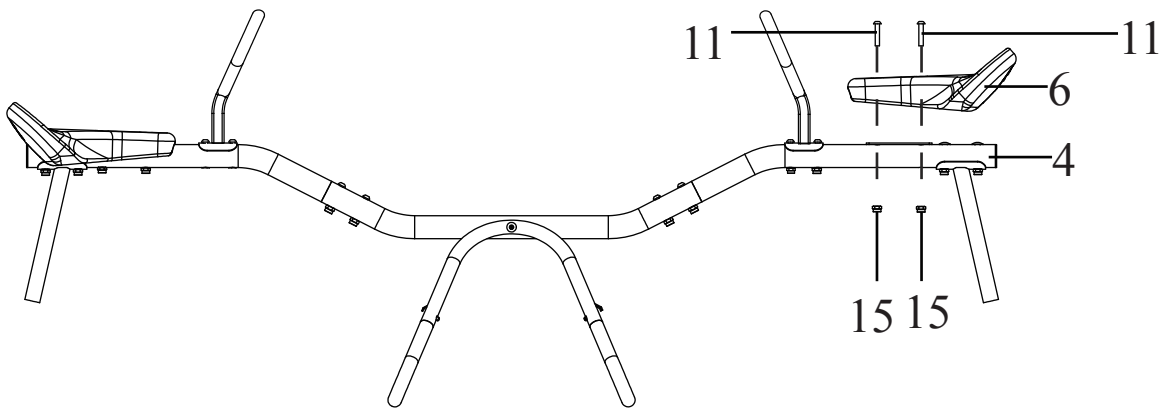


14 M6X15 Bolt

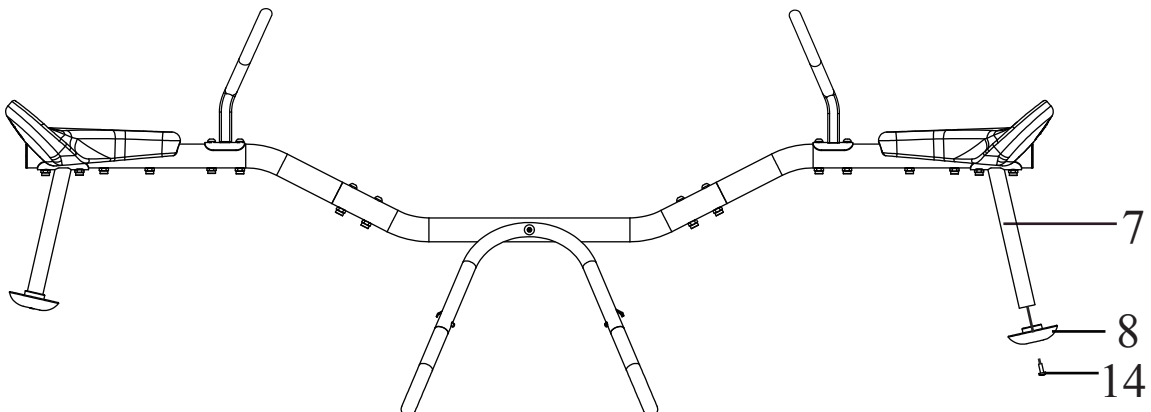


15 M8 Locknut

Install the seat (6) to the seat pole assembly (4) using two M8X68mm bolts (11) and two M8 Locknuts (15). Repeat this step on the other side of the weight system.



Install the cushion (8) to the Limit Frame (7) using M6X15mm bolts (14). Repeat this step on the other side of the weight system. Note: Make sure all the bolts in the steps above are tightened.



LIMITED WARRANTY

Skywalker Holdings, LLC warrants its products to be free from defects in material and workmanship under normal use and service conditions. The steel frame is warranted for one (1) year after the date of purchase. All other parts are warranted for ninety (90) days after the date of purchase. Wind or weather damage is not warranted.

All warranty coverage extends only to the original retail purchaser from the date of purchase. Skywalker Holdings, LLC obligation under this Warranty is limited to replacing or repairing, at Skywalker Holdings, LLC option, the product at one of this authorized service centers. All products for which a warranty claim is made must be received by Skywalker Holdings, LLC at one of its authorized locations. Preauthorization may be obtained by calling Skywalker Holding, LLC Customer Care Hot Line at 1-866-603-Jump(5867). This Warranty does not extend to any product or damage to a product caused by or attributable to freight damage, abuse, misuse, improper or abnormal usage, or repair not provided by a Skywalker Holdings, LLC authorized service center, or to products used for commercial or rental purpose. No other Warranty beyond that specifically set forth above is authorized by Skywalker Holdings, LLC.

SKYWALKER HOLDINGS, LLC IS NOT RESPONSIBLE OR LIABLE FOR INDIRECT, SPECIAL OR CONSEQUENTIAL DAMAGES ARISING OUT OF OR IN CONNECTION WITH THE USE OR PERFORMANCE OF THE PRODUCT OR OTHER DAMAGES WITH RESPECT TO ANY ECONOMIC LOSS, LOSS OF PROPERTY, LOSS OF REVENUE OR PROFITS, LOSS OF ENJOYMENT OR USE, COST OF REMOVAL, INSTALLATION OR OTHER CONSEQUENTIAL DAMAGES. SOME STATES DO NOT ALLOW THE EXCLUSION OR LIMITATION OF INCIDENTAL OR CONSEQUENTIAL DAMAGES. ACCORDINGLY, THE ABOVE LIMITATION MAY NOT APPLY TO YOU.

THE WARRANTY EXTENDED HEREUNDER IS IN LIEU OF ALL OTHER WARRANTIES AND ANY IMPLIED WARRANTY OF MERCHANTABILITY OR FITNESS FOR A PARTICULAR PURPOSE IS LIMITED IN ITS SCOPE AND DURATION TO THE TERMS SET FORTH HEREIN. SOME STATES DO NOT ALLOW LIMITATIONS ON HOW LONG AN IMPLIED WARRANTY LASTS. ACCORDINGLY, THE ABOVE LIMITATION MAY NOT APPLY TO YOU. This Warranty gives you specific LEGAL RIGHTS. You may also have other rights which vary state to state.

THIS WARRANTY IS VALID ONLY IN THE UNITED STATES.

Skywalker Holdings, LLC, PO Box 574, Brigham City, UT 84302 USA.

Printed in China © 2015 Skywalker Holdings, LLC,