

INSTALLATION

Product Manual



IMPORTANT INFORMATION!

please read the entire manual before starting to assemble and/or using this product. follow the manual thoroughly and keep it for further reference.



AVOID SCRATCHES!

In order to avoid scratching this furniture should be assembled on a soft layer- could be a rug.



IMPROVE EFFICIENCY !

Try to find a partner to install with you, which can speed up the installation efficiency and shorten the time.



ANTI-TOPPLE WARNING !

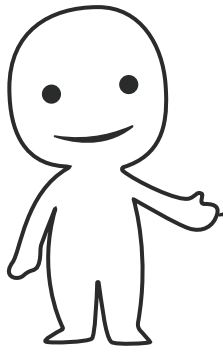
Overturnd furniture can cause serious or fatal crush injuries. To prevent tipping over, be sure to use the wall attachment, if not included with this product. Please purchase the wall attachment that fit your wall. If unsure, seek professional advice. Please read and follow each step of the instructions carefully.

IMPORTANT !

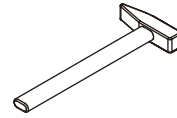
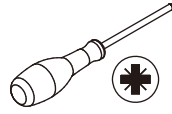
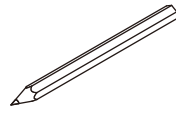
It is important that any product which is assembled using any kind of screw is re-tightened 2 weeks after assembly, and once every 3 months - in order to assure stability through-out the lifespan of the product.

For regular maintenance and cleaning of the product, for the frame, please use a rag dipped in neutral detergent to fully wipe it, and then dry it with a clean rag. For glass materials, wipe with a rag dampened with water glass cleaner, and then dry with a dry rag.

Do not use an electric screwdriver, and do not use too much force when installing, because the board is easy to break.

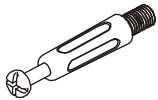


Please prepare the following tools



When installing, please carefully confirm whether each screw corresponds to the manual, accessories with similar shapes can be distinguished by size

A x 37



Ø 6 x 35 mm

B x 37



Ø 15 x 12 mm

C x 40



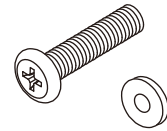
Ø 3 x 12 mm

D x 48



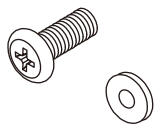
Ø 3 x 16 mm

E x 4



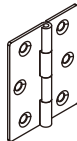
Ø 4 x 25 mm

F x 3

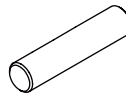


Ø 4 x 16 mm

G x 8

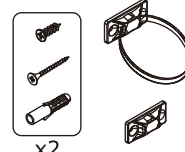


H x 6



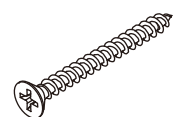
Ø 6 x 30 mm

J x 2



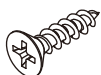
x2

K x 13



Ø 4 x 30 mm

L x 8



Ø 3 x 15 mm

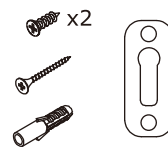
M x 7



N x 12

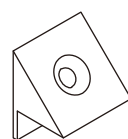


P x 6

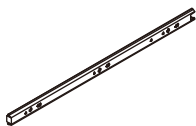


x2

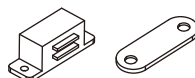
R x 8



T x 6

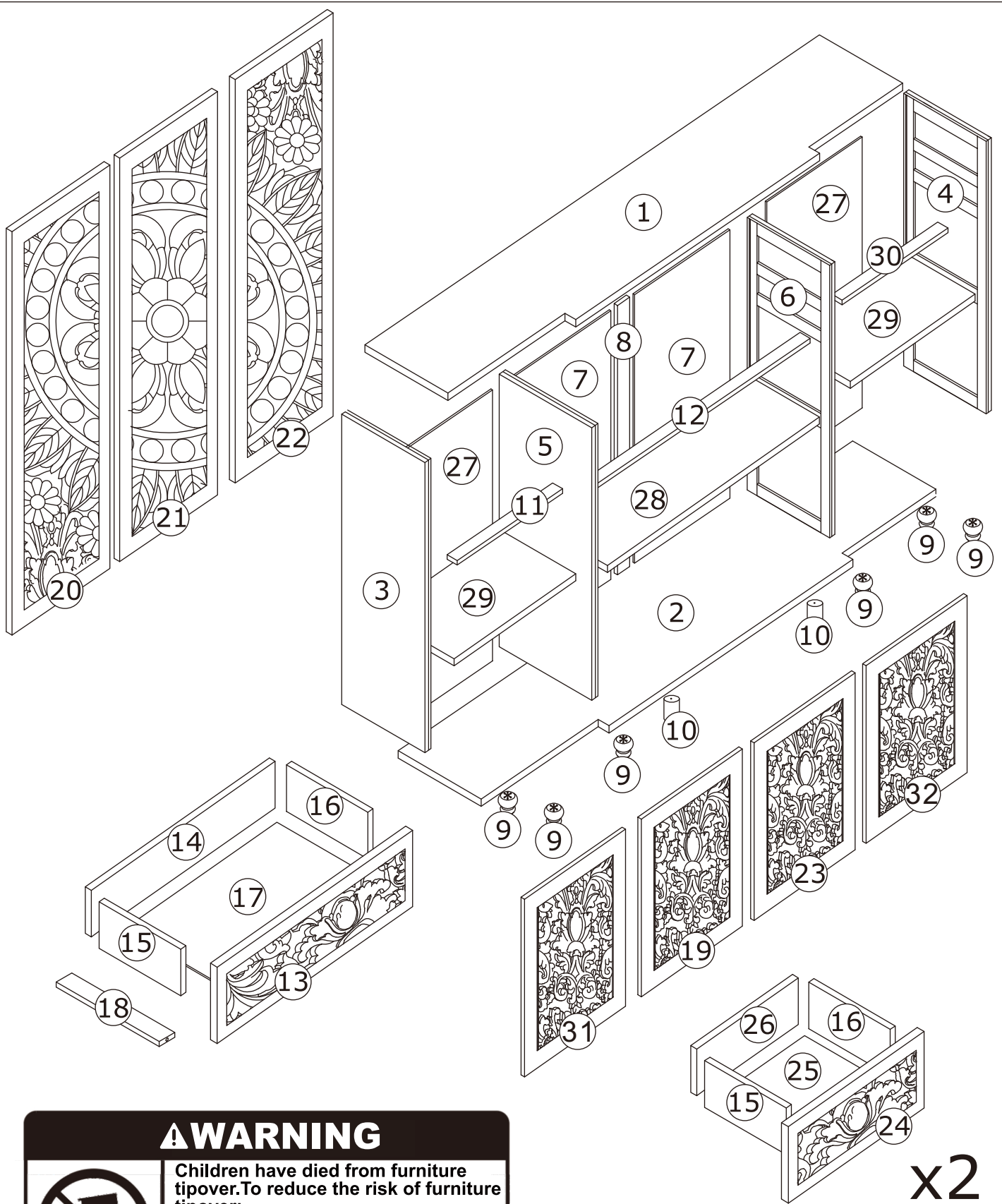


W x 4



Y x 6





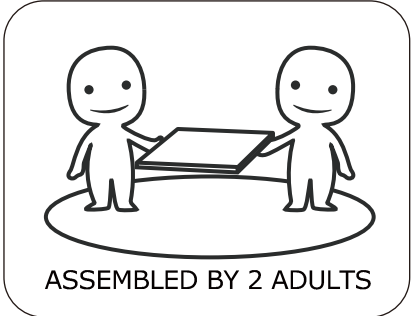
x2

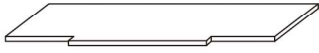
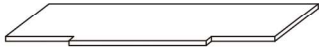

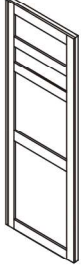

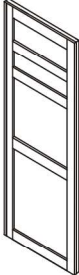



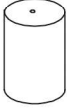
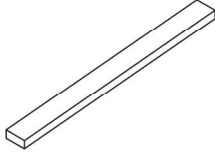
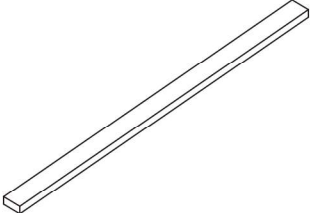
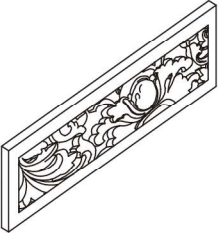
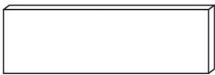
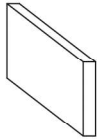
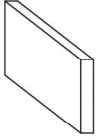
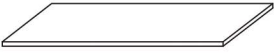
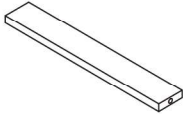


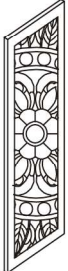


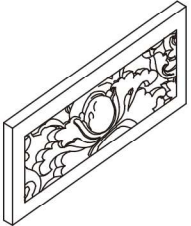
⚠ WARNING

Children have died from furniture tipover. To reduce the risk of furniture tipover:

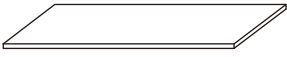
- ALWAYS install Anti-tip device provided.
- NEVER put a TV on this product.
- NEVER allow children to stand, climb or hang on drawers, doors, or shelves.
- NEVER open more than one drawer at a time.
- Place heaviest items in the lowest drawers.

This is a permanent label. Do not remove!

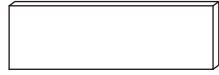


<p>① x1</p> 	<p>② x1</p> 	<p>③ x1</p> 	<p>④ x1</p> 
<p>⑤ x1</p> 	<p>⑥ x1</p> 	<p>⑦ x2</p> 	<p>⑧ x1</p> 
<p>⑨ x6</p> 	<p>⑩ x2</p> 	<p>⑪ x1</p> 	<p>⑫ x1</p> 
<p>⑬ x1</p> 	<p>⑭ x1</p> 	<p>⑮ x3</p> 	<p>⑯ x3</p> 
<p>⑰ x1</p> 	<p>⑱ x1</p> 	<p>⑲ x1</p> 	<p>⑳ x1</p> 
<p>㉑ x1</p> 	<p>㉒ x1</p> 	<p>㉓ x1</p> 	<p>㉔ x2</p> 

25x2



26x2



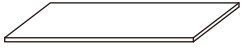
27x2



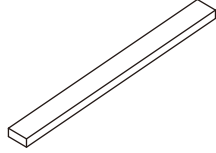
28x1



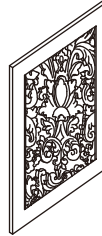
29x2



30x1



31x1



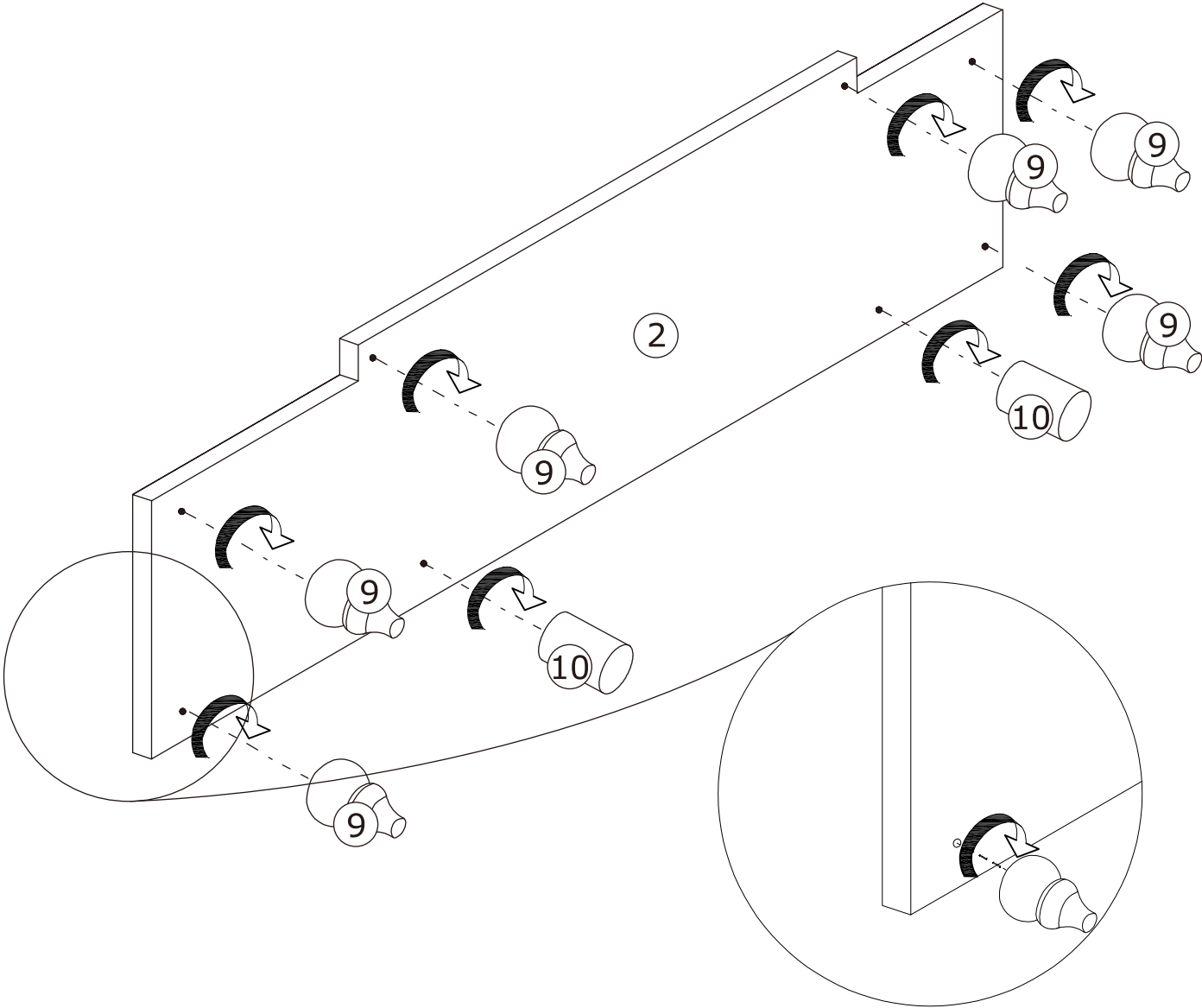
32x1



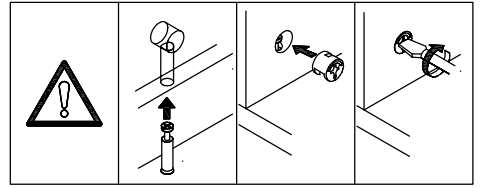
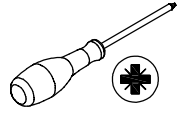
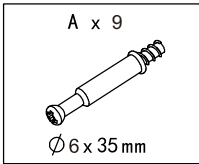
1



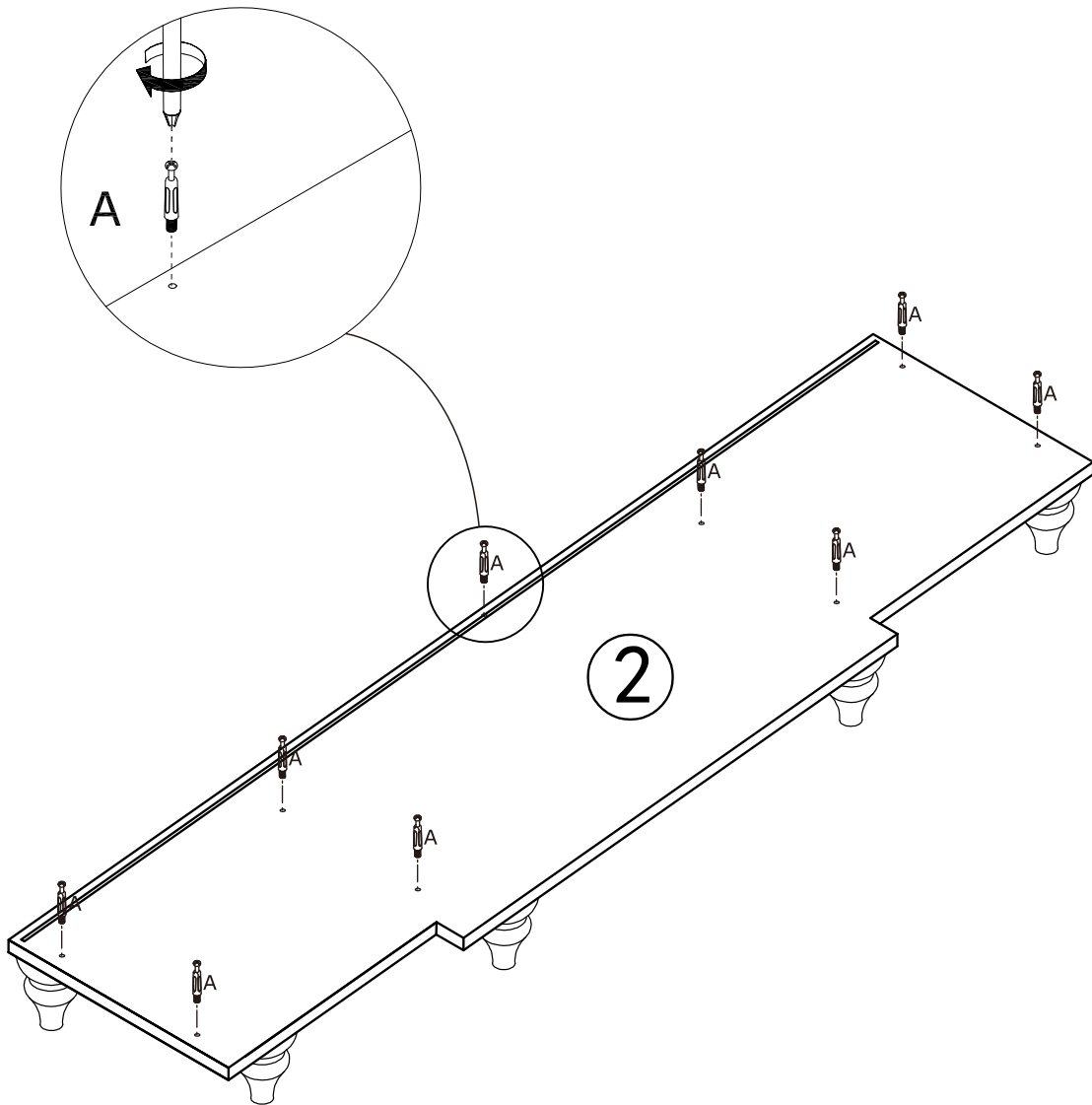
Attach parts 9 and 10 to the top of plate 2 as shown.



2

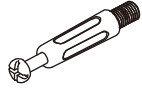


Install screw A on top of plate 2 as shown.



3

A x 1



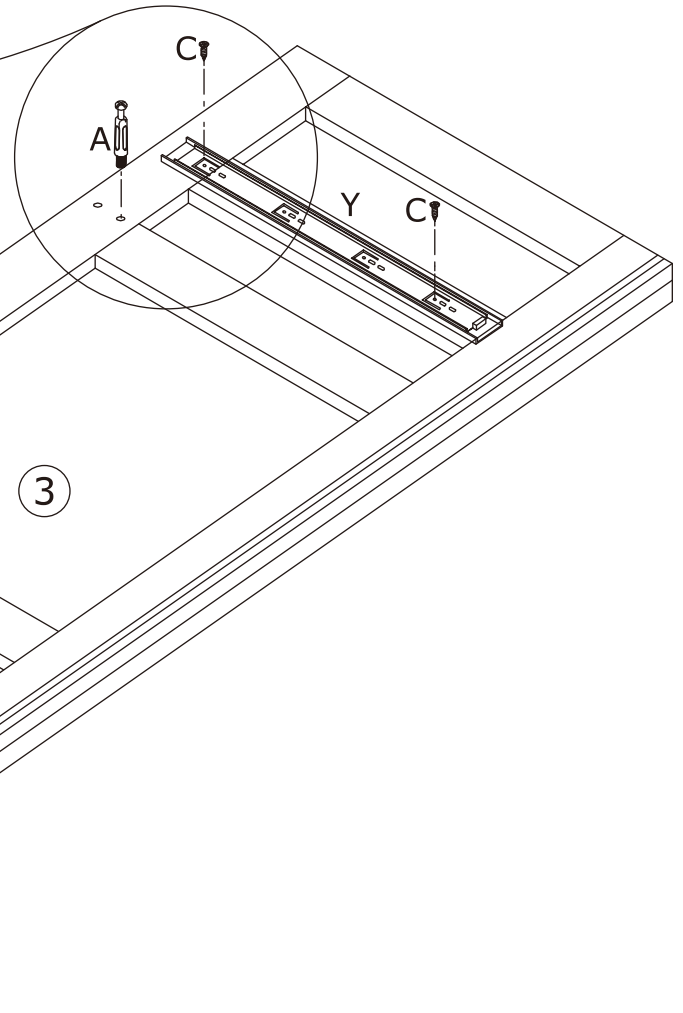
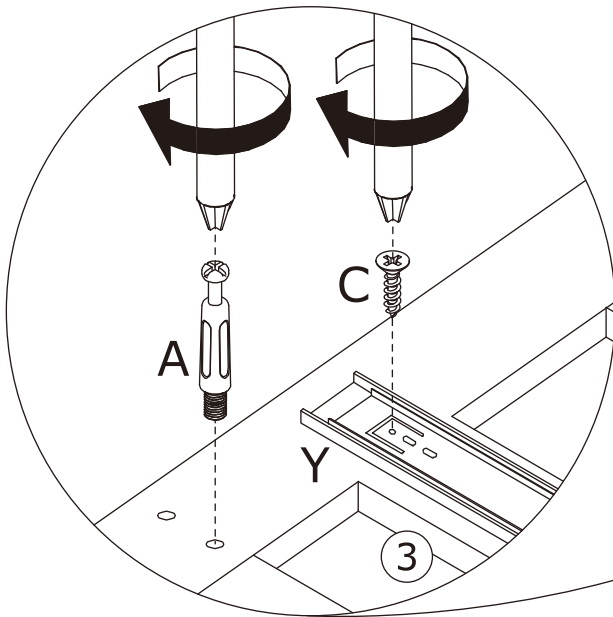
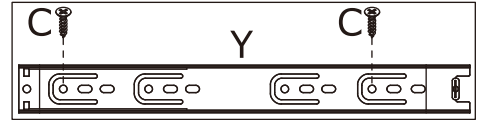
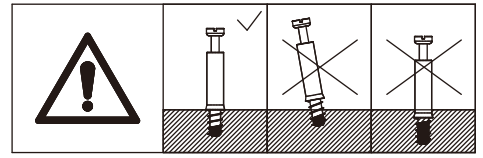
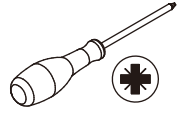
Ø6 x 35 mm

C x 2



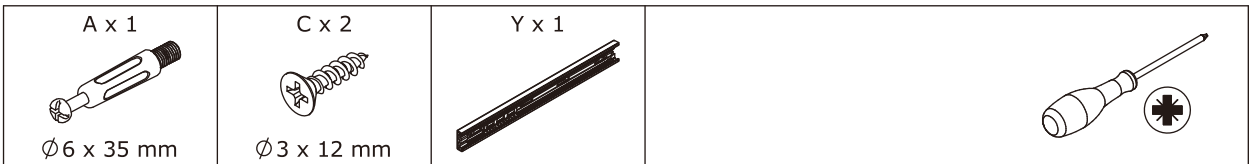
Ø3 x 12 mm

Y x 1

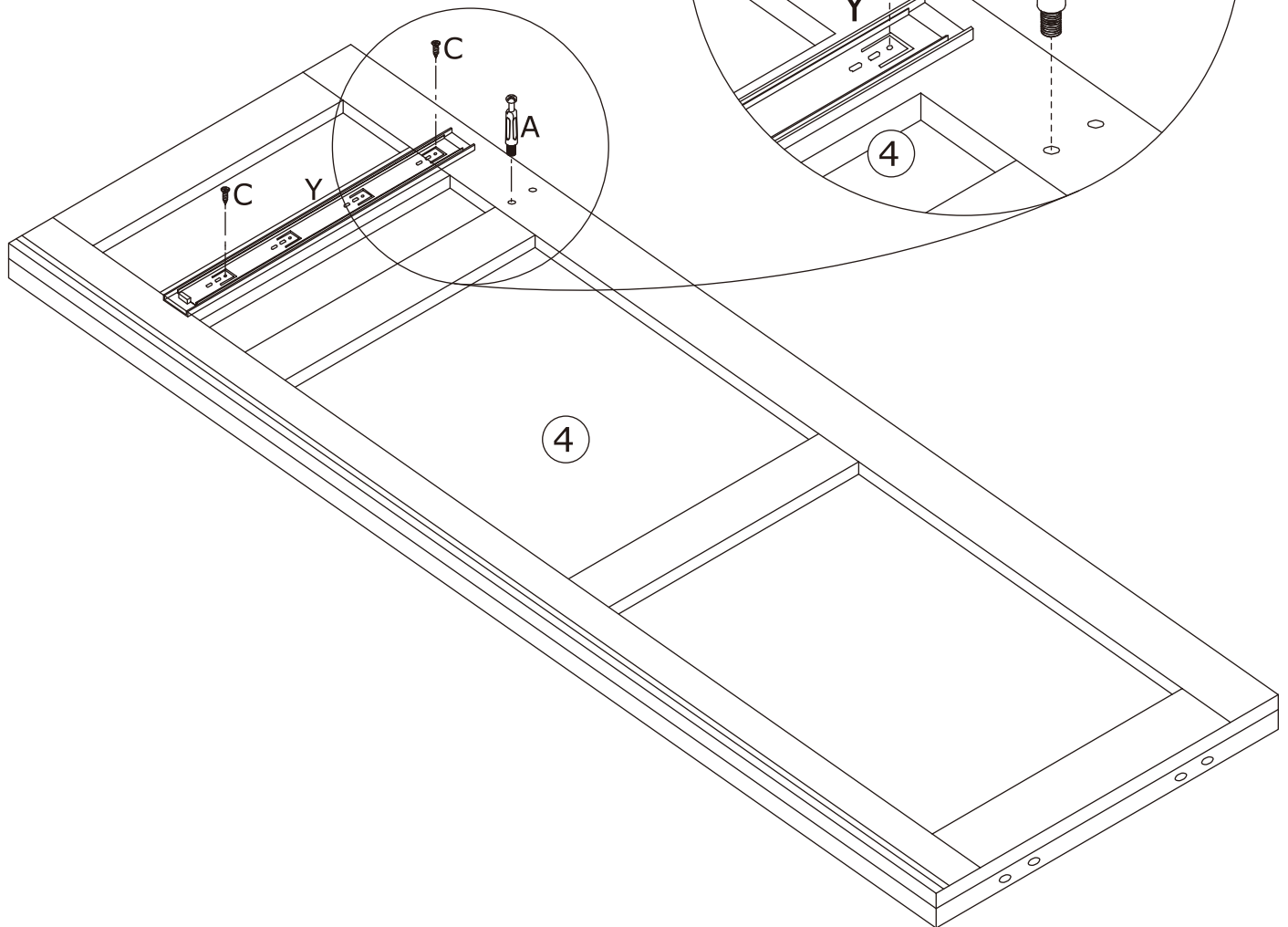
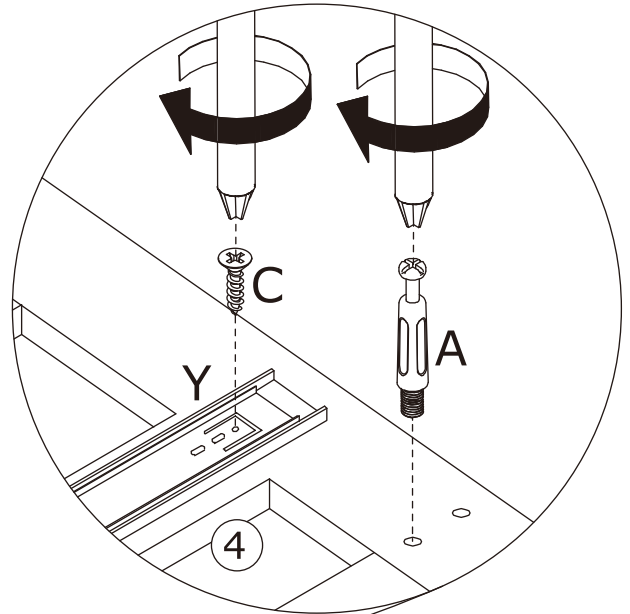
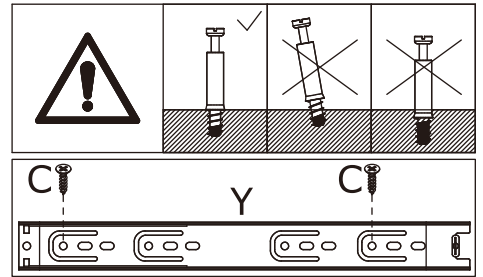


Fix the slide Y to board 3 with screws C, and secure screws A to board 3.

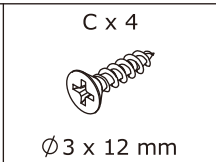
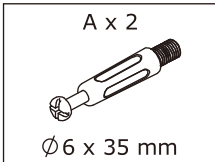
4



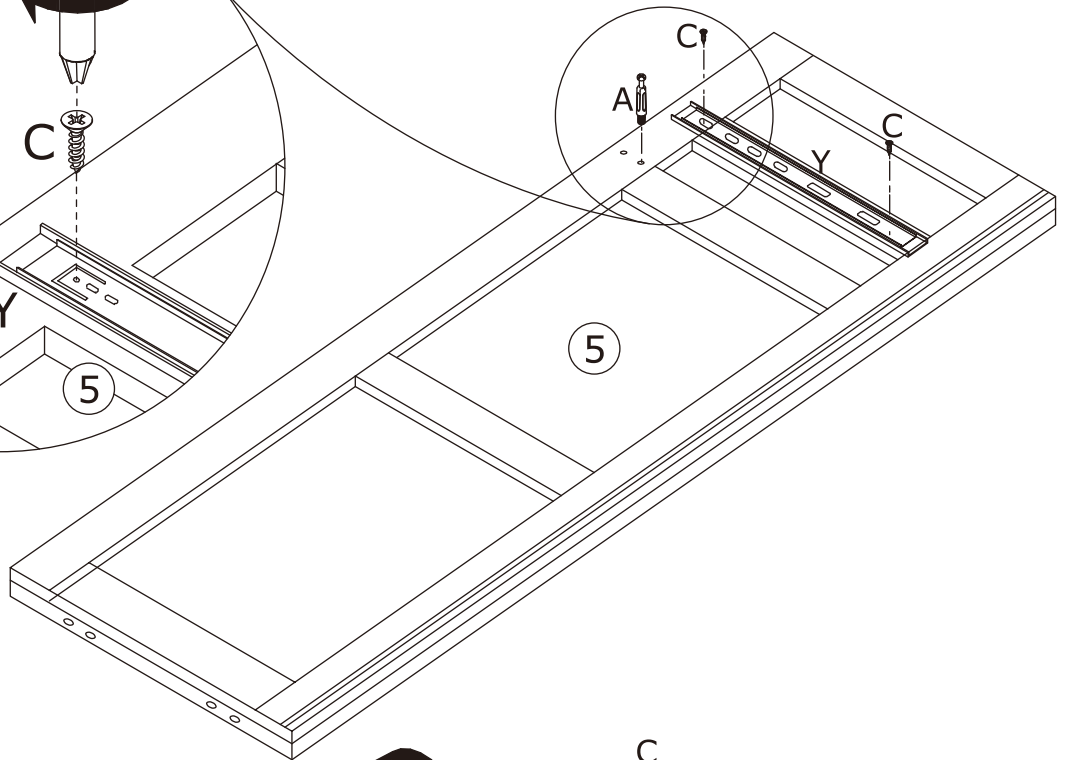
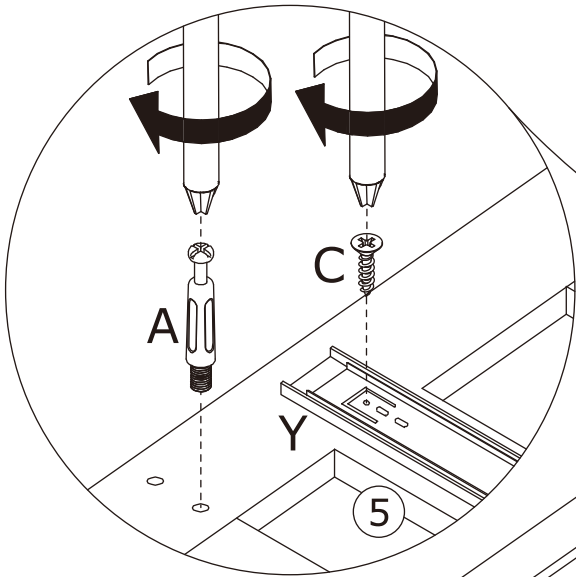
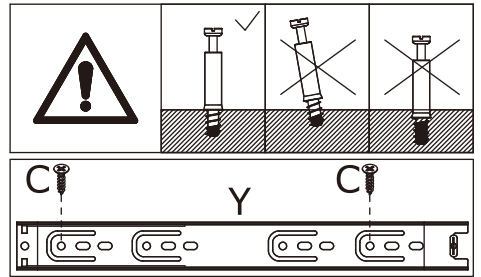
Fix the slide Y to board 4 with screws C, and secure screws A to board 4.



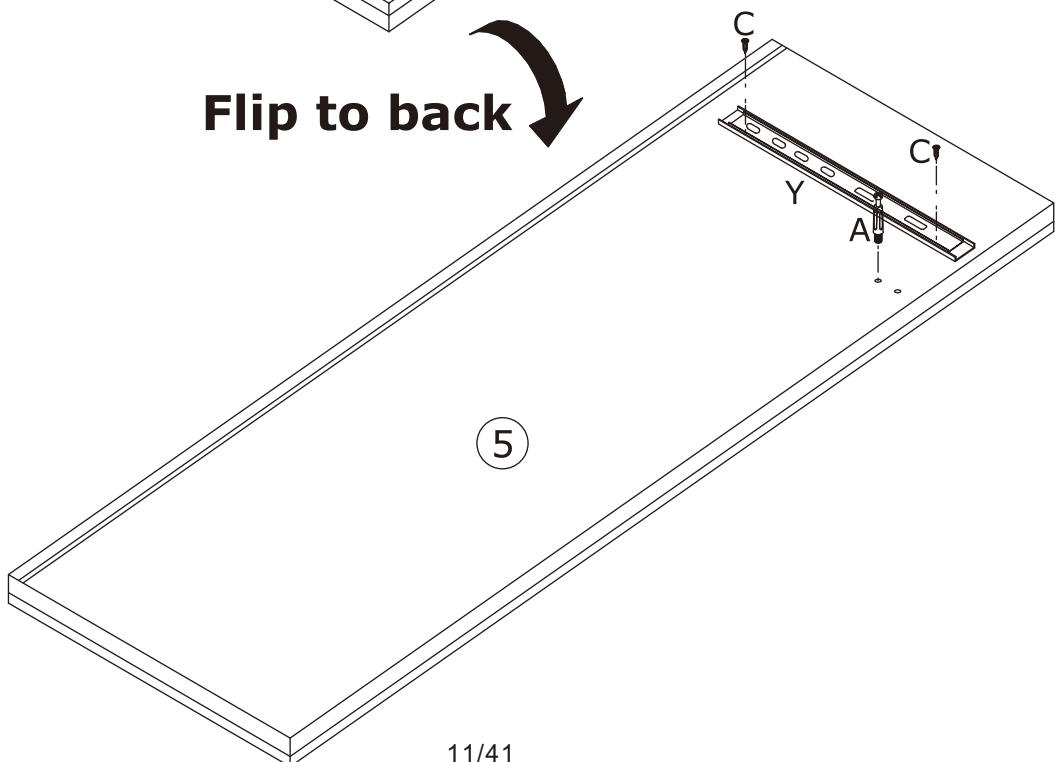
5



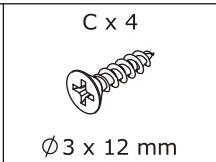
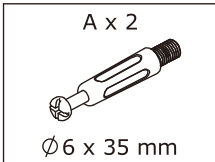
Fix the slide Y to board 5 with screws C, and secure screws A to board 5.



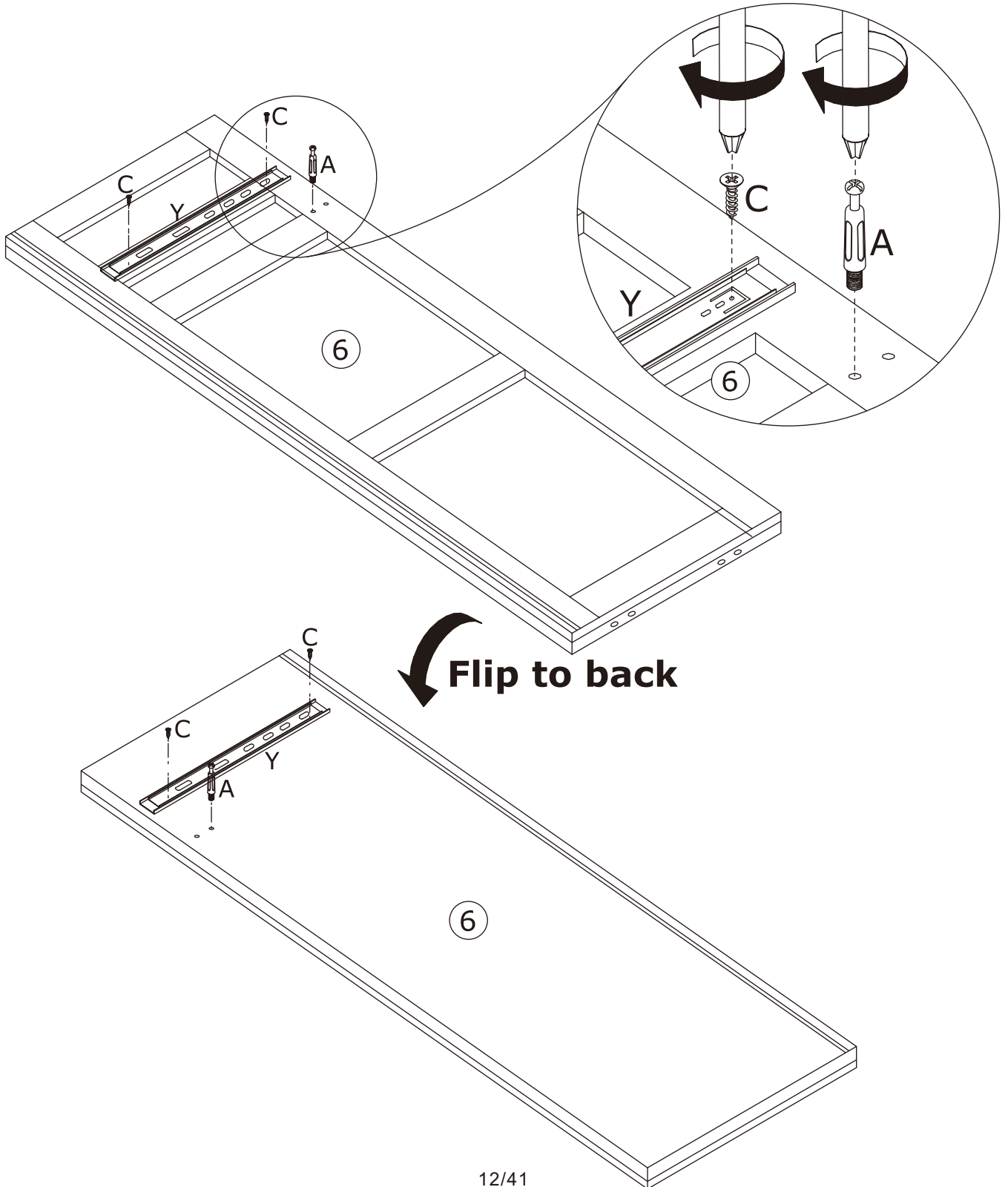
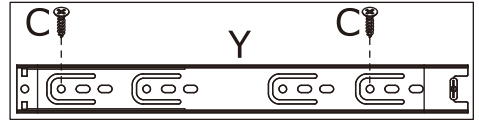
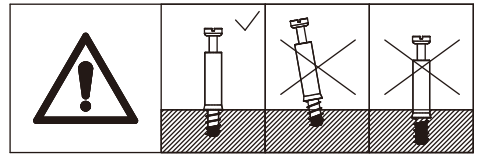
Flip to back



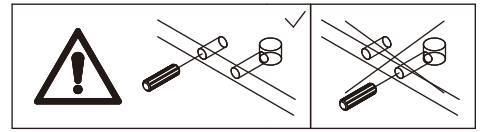
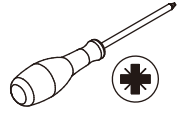
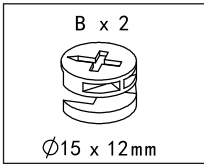
6



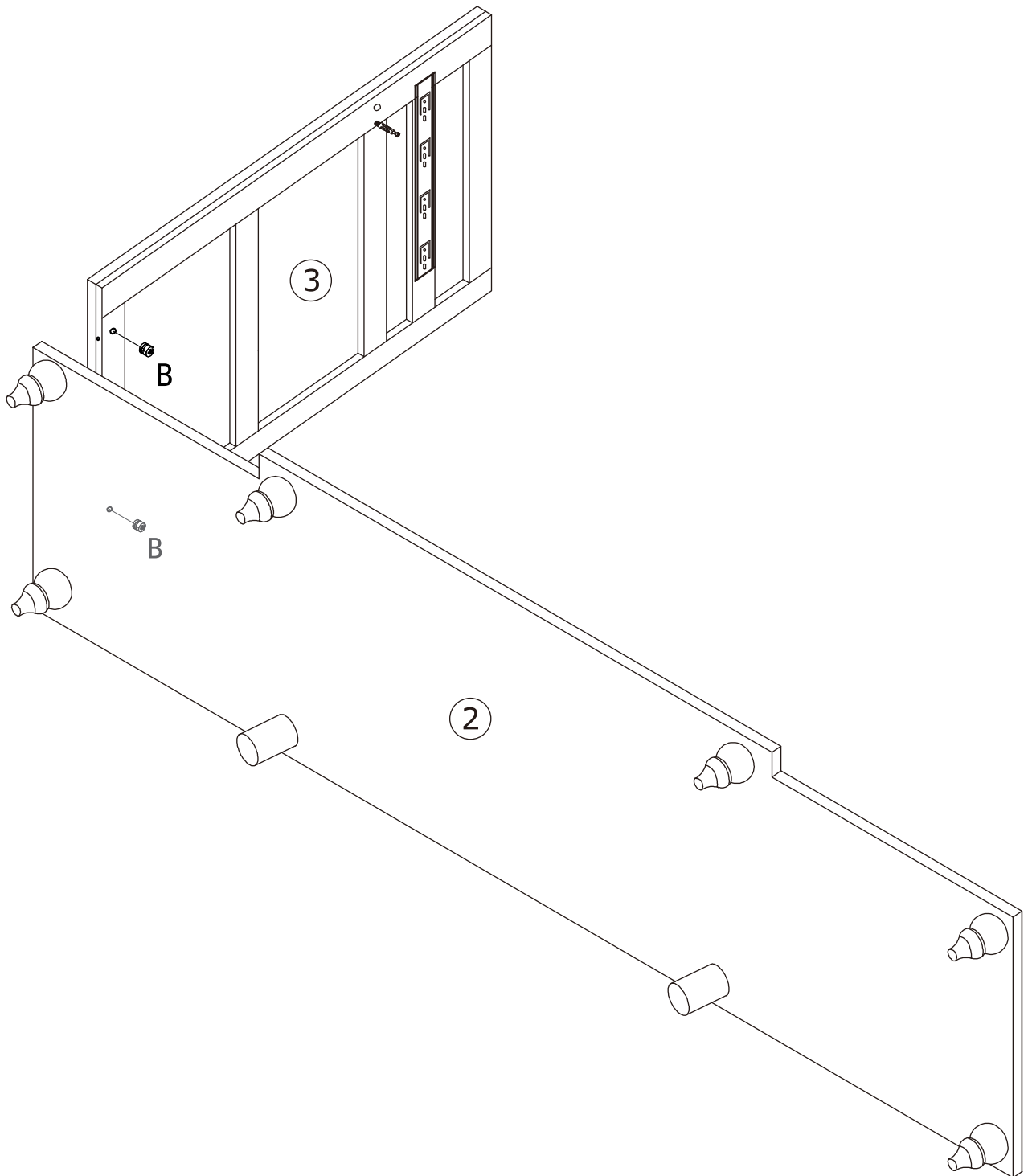
Fix the slide Y to board 6 with screws C, and secure screws A to board 6.



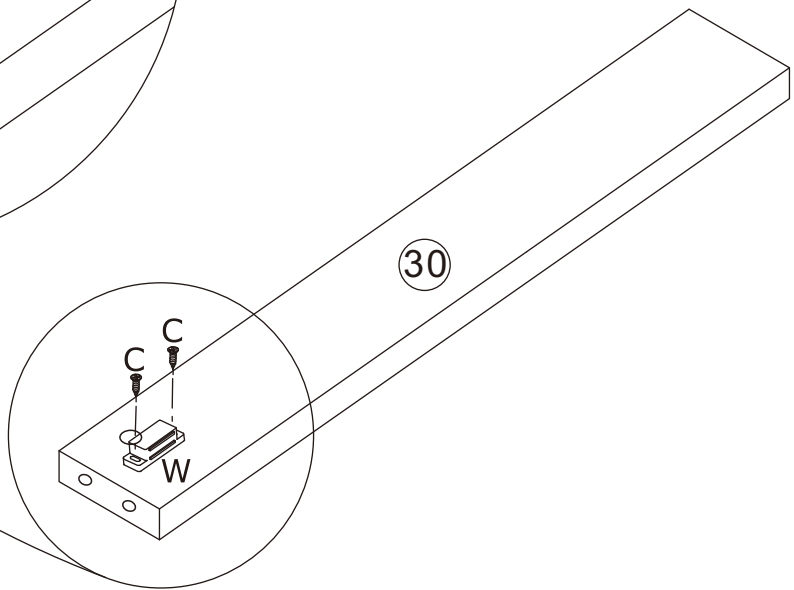
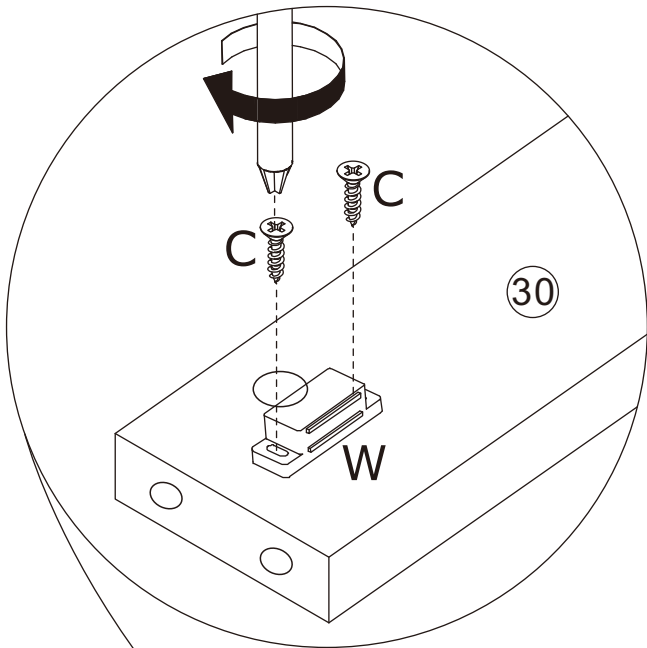
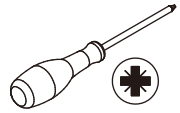
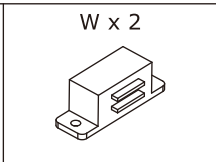
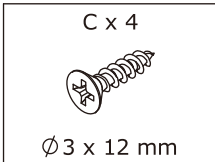
7



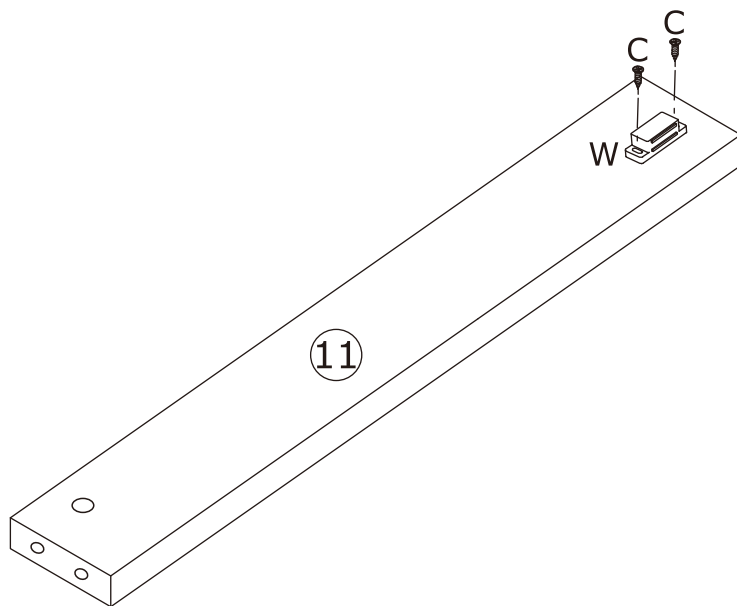
Connect plates 2 and 3 with screws B as shown.



8



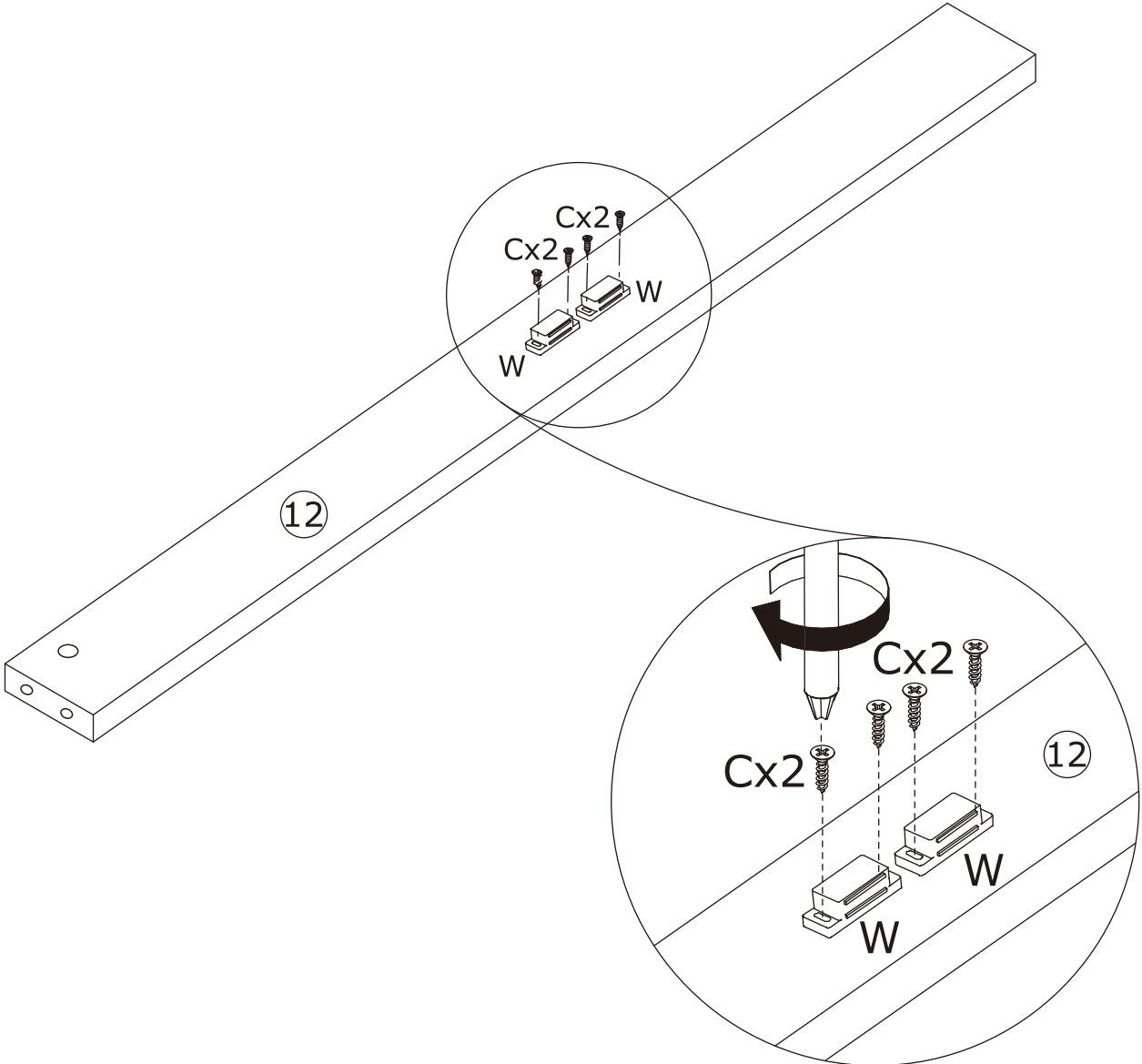
Fix magnetic suction W to board 11 and 30 with screws C.



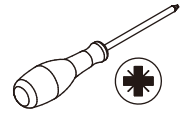
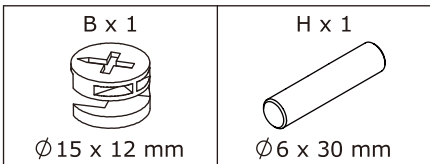
9



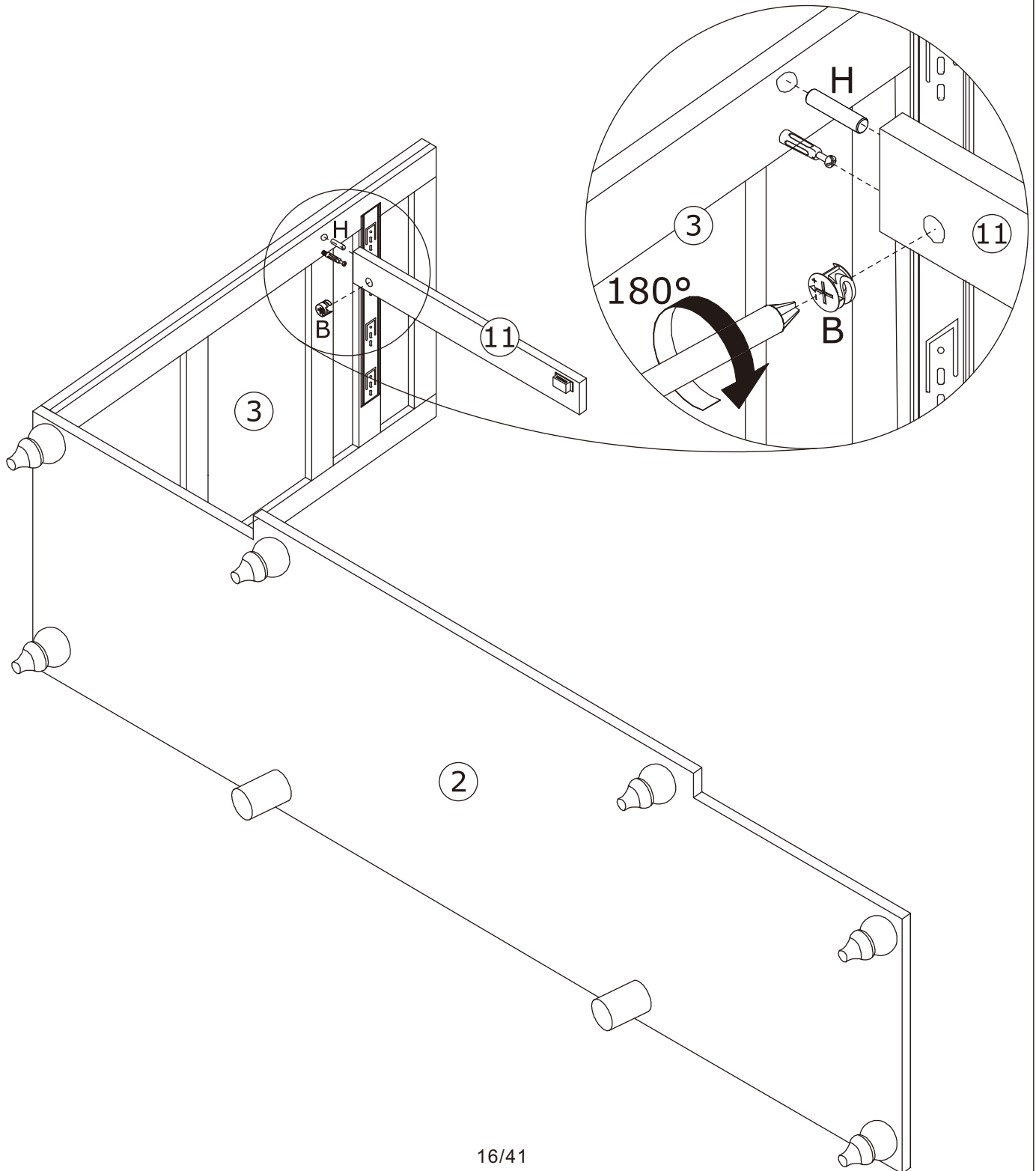
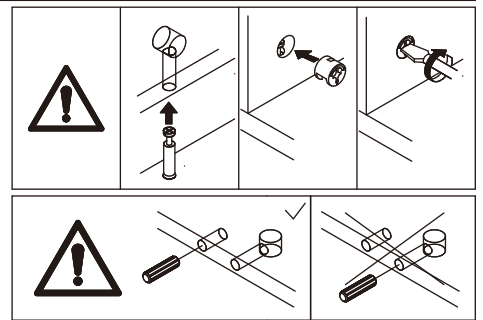
Fix magnet W to board 12 with screws c as shown.



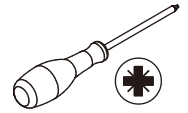
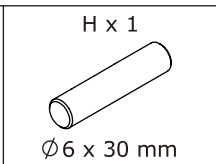
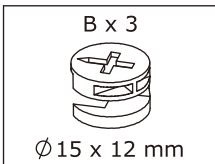
10



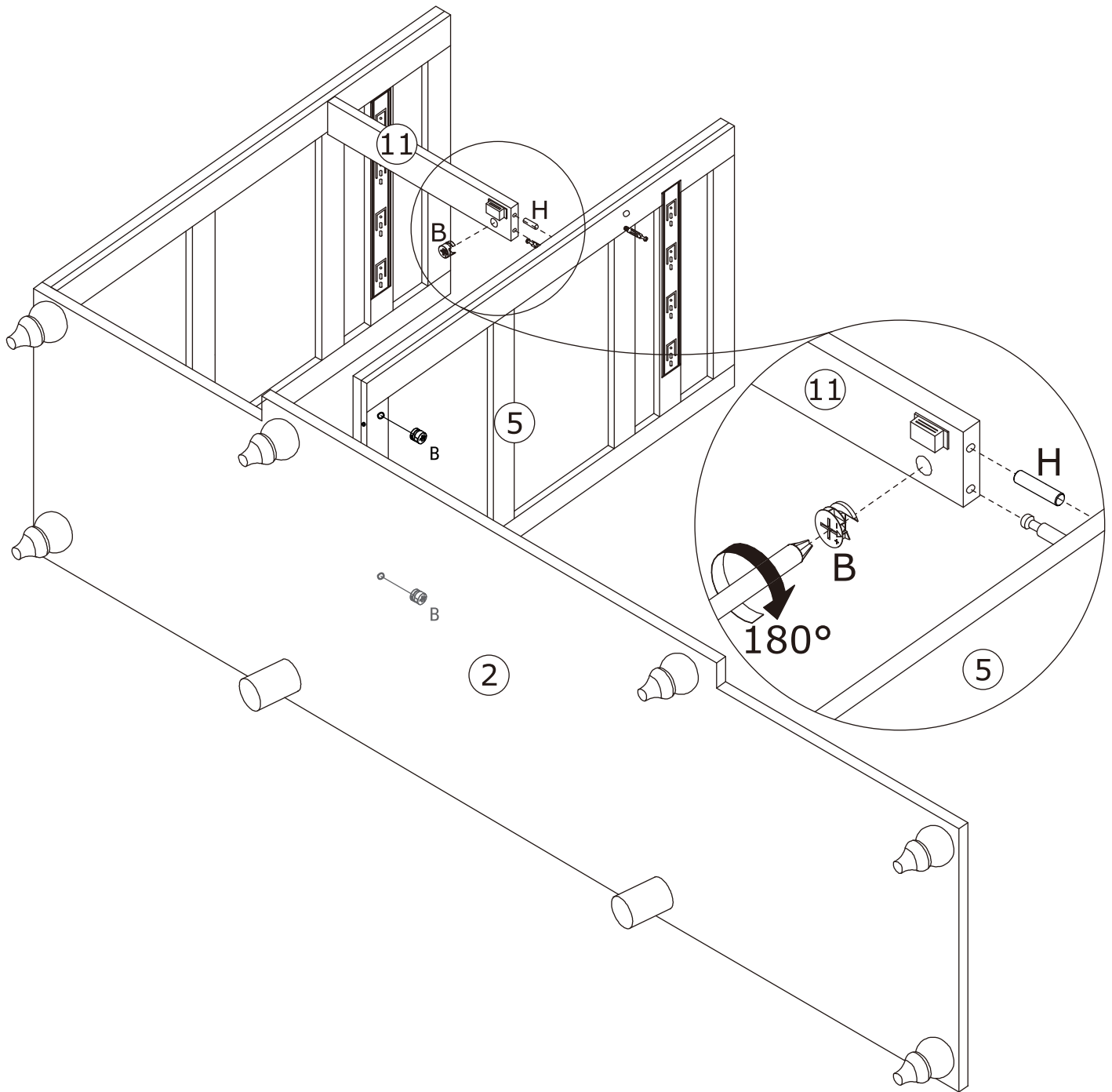
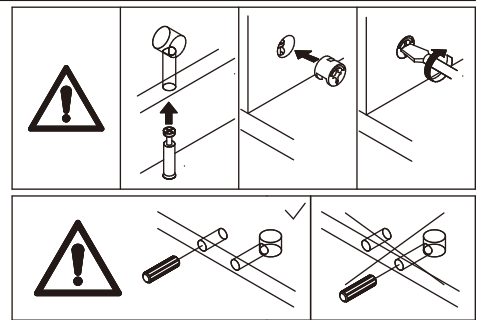
Insert the dowel H into the board 11, then connect the board 11 to the board 3, and finally tighten it with the screw B.



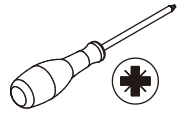
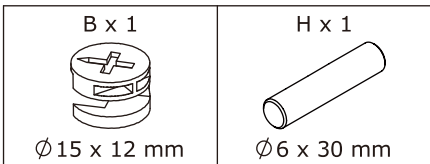
11



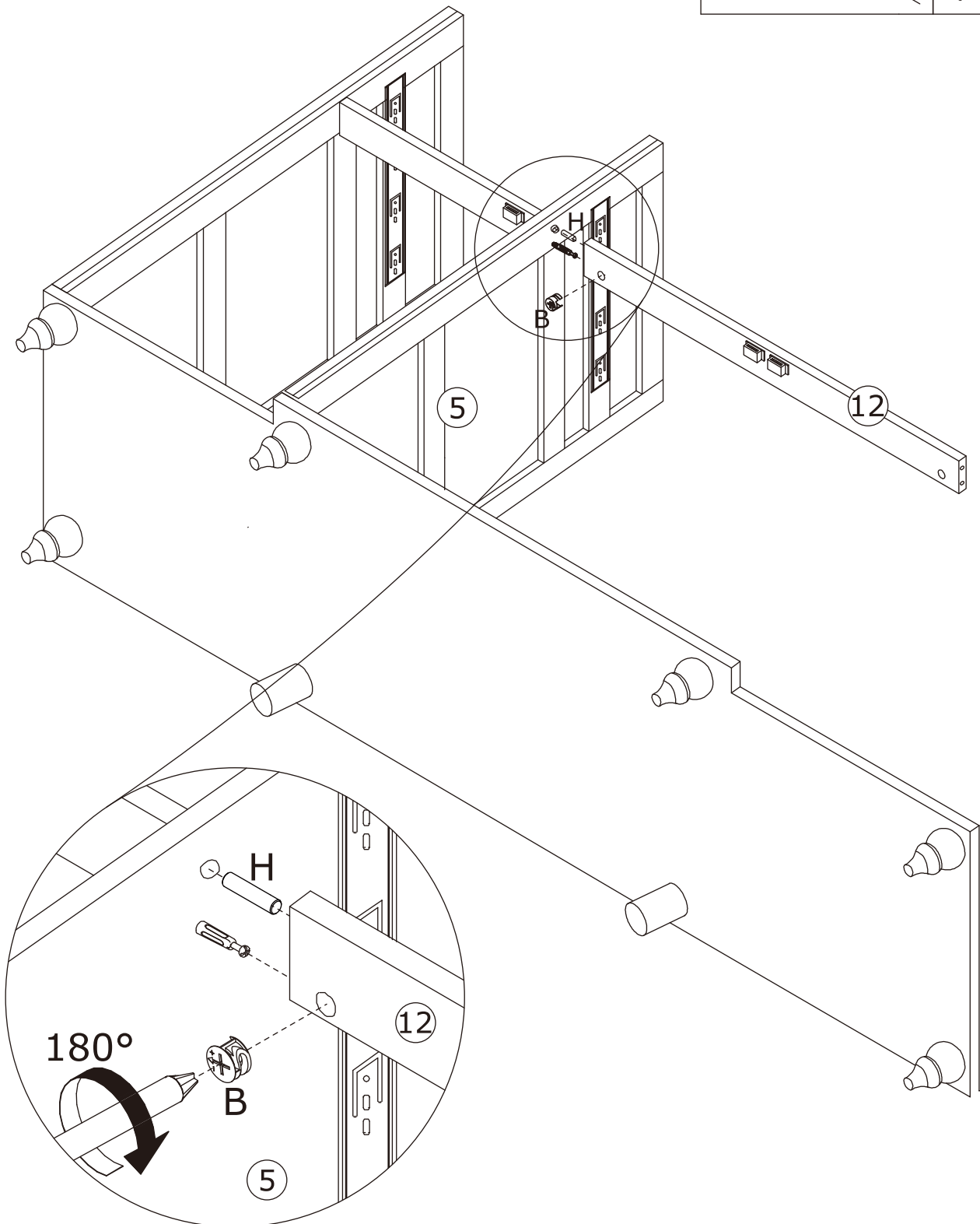
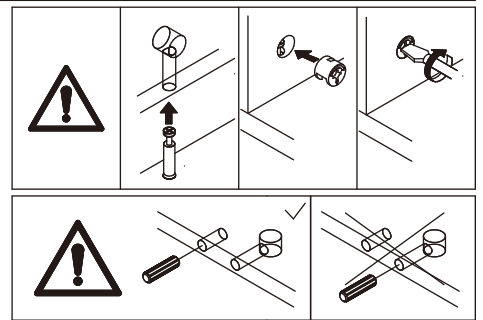
Secure plate members 2 and 5 with part B, and then secure plate members 5 and 11 together with parts B and H as shown.



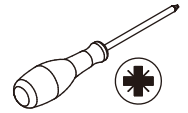
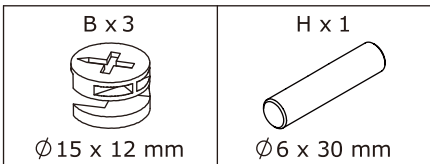
12



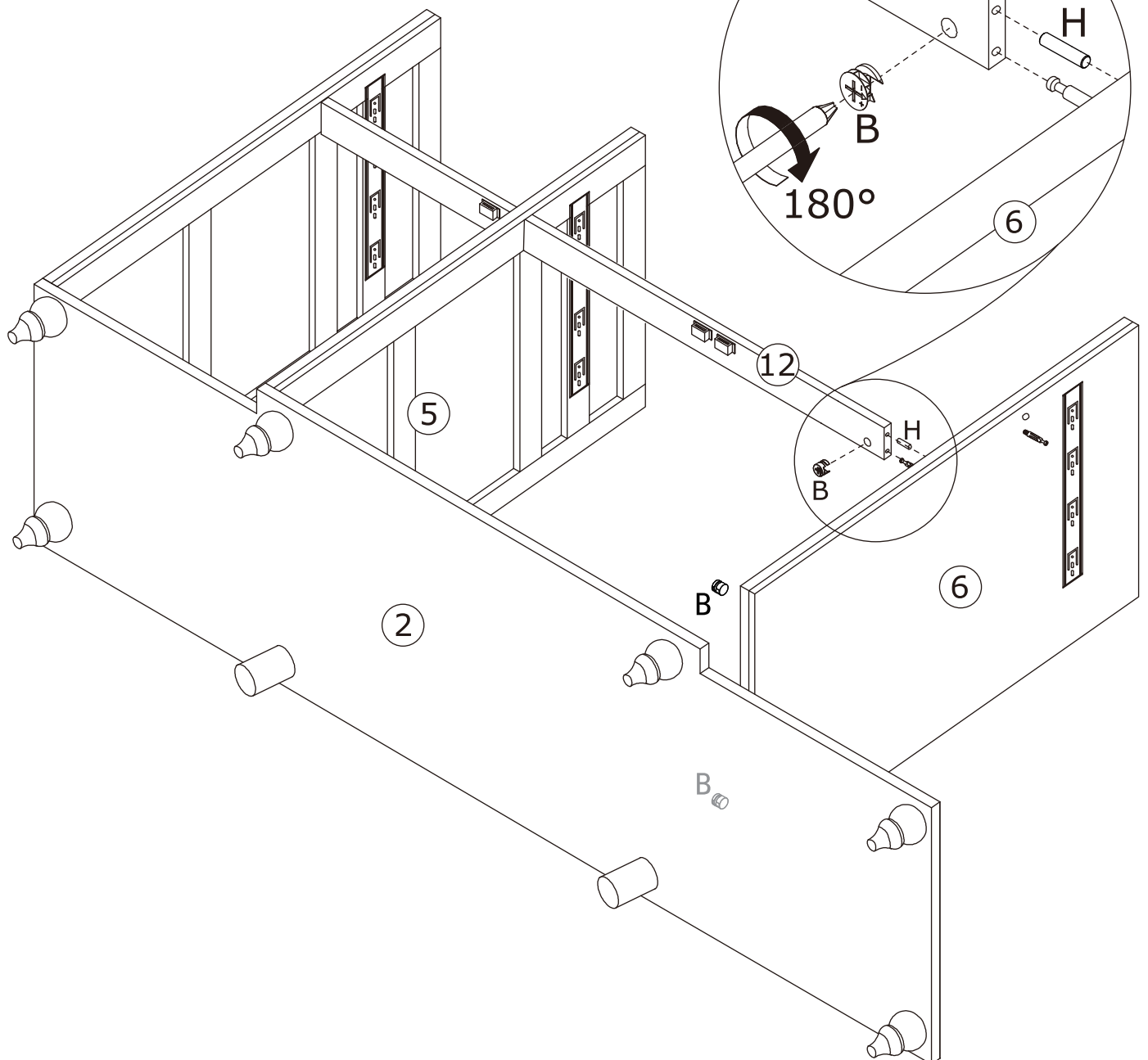
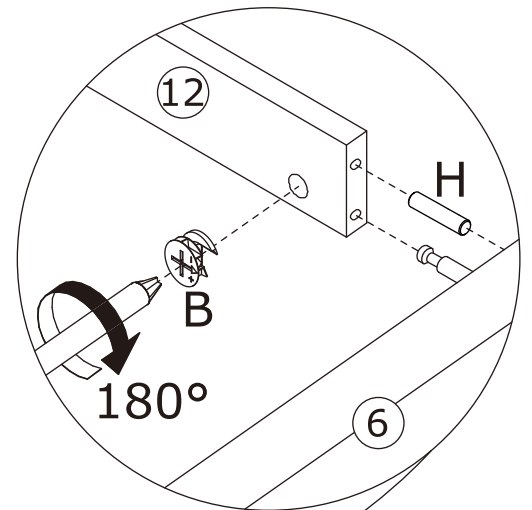
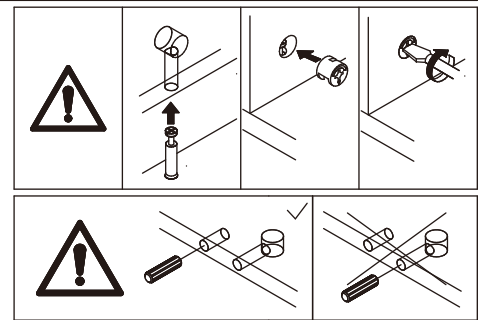
Insert the dowel H into the board 12. Connect the board 12 to board 5 and tighten it with the screw B.



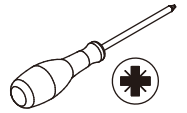
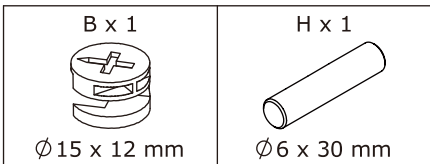
13



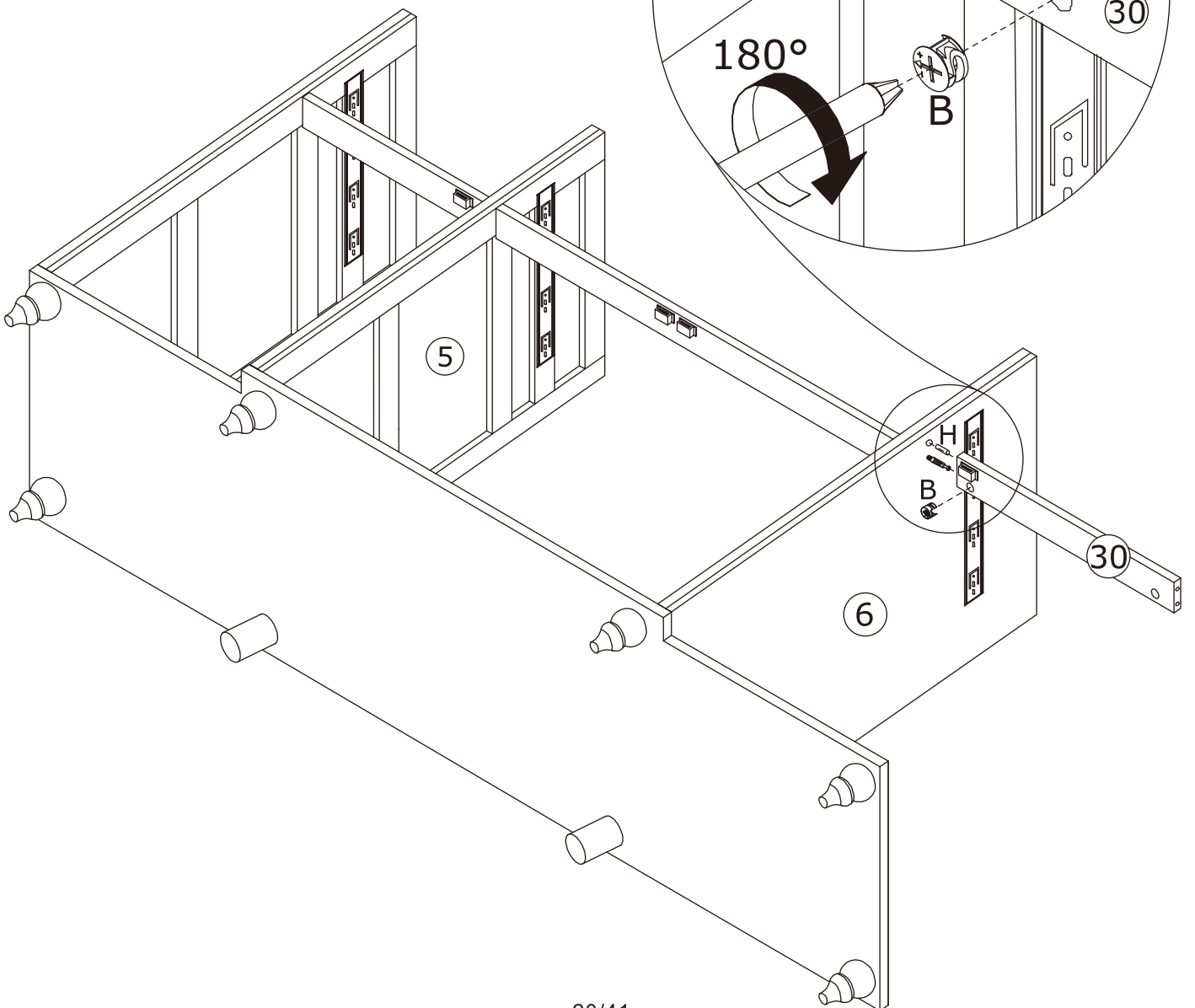
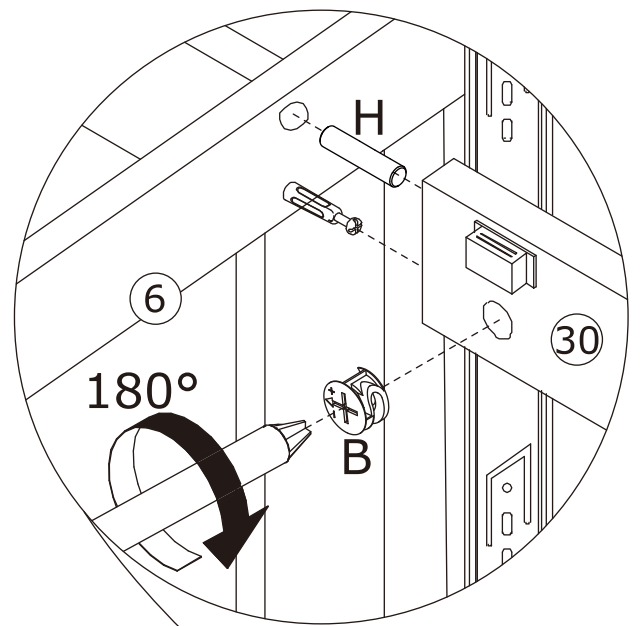
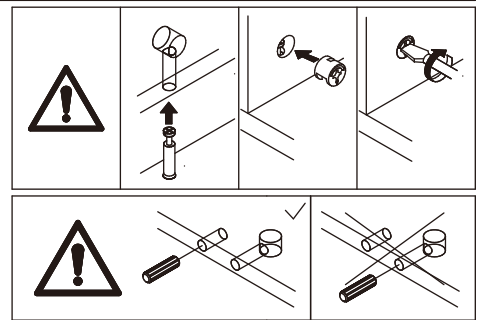
Connect the plate member 2 to the plate member 6 with part B, and then fix the plate members 6 and 12 together with parts B and H as shown.



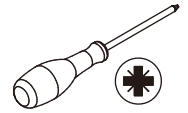
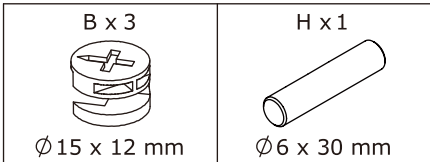
14



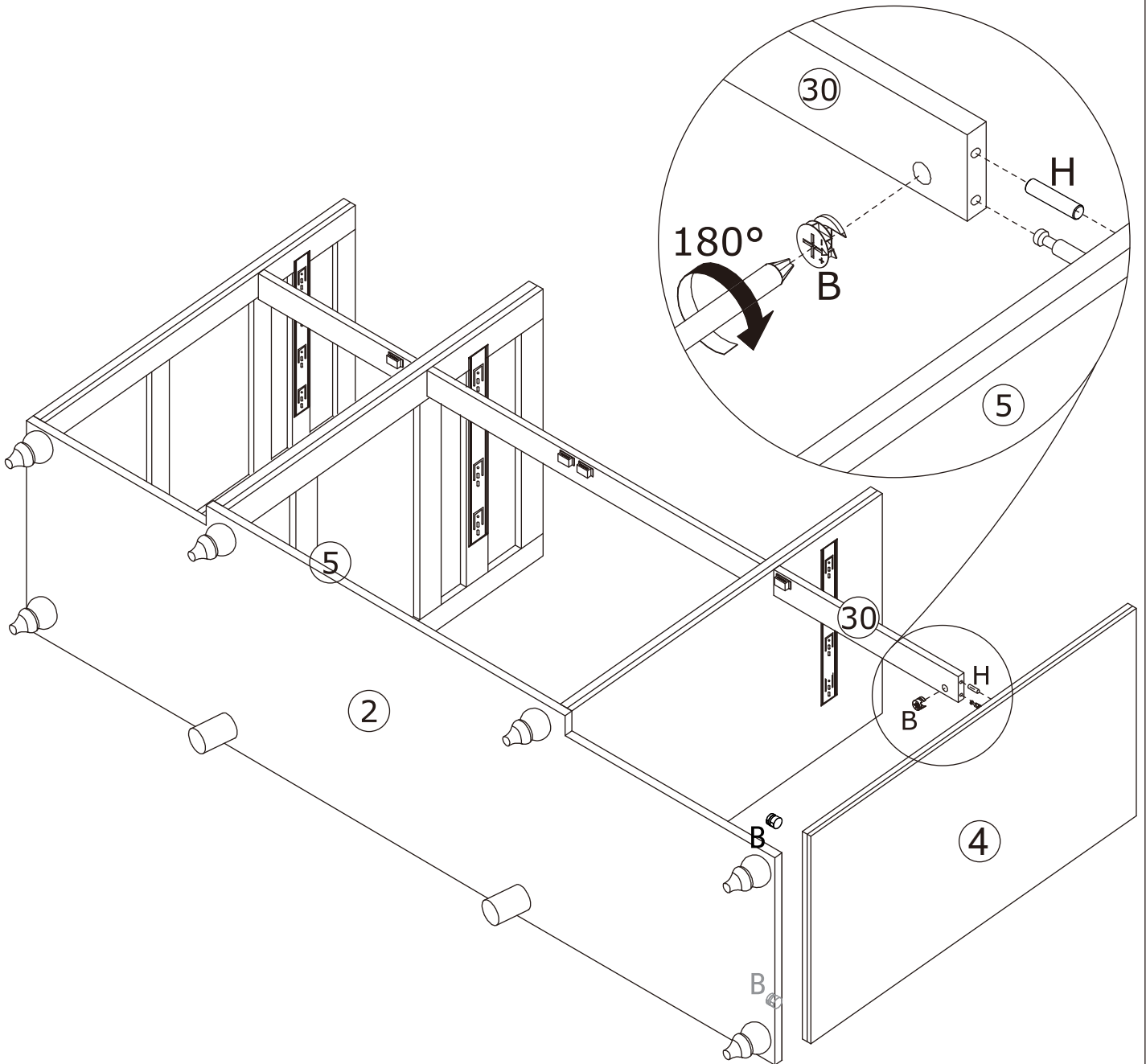
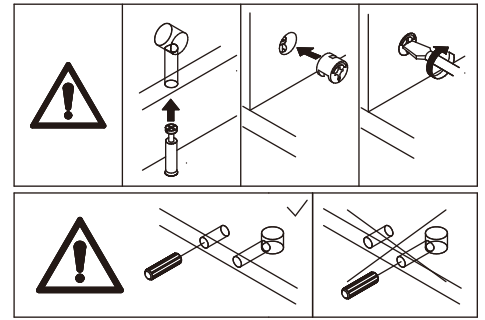
Insert the dowel H into the board 30.
Connect the board 30 to board 6 and
tighten it with the screw B.



15

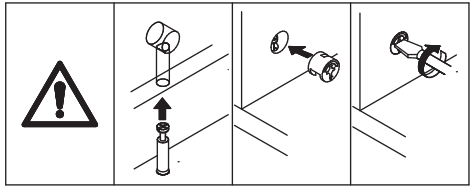


Attach and secure plates 2 and 4 with part B, then secure plates 4 and 30 with parts B and H as shown.

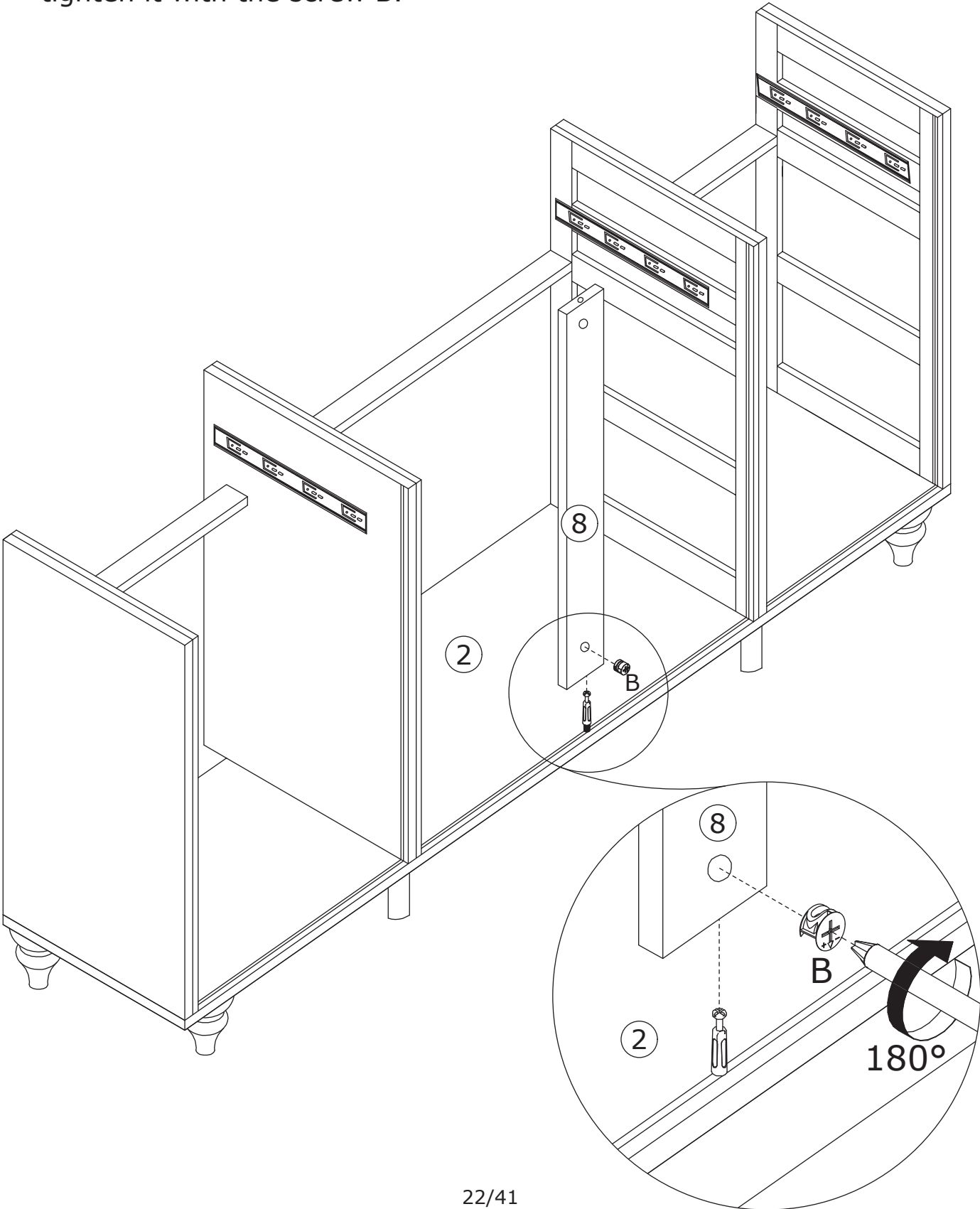


16

B x 1
Ø 15 x 12 mm

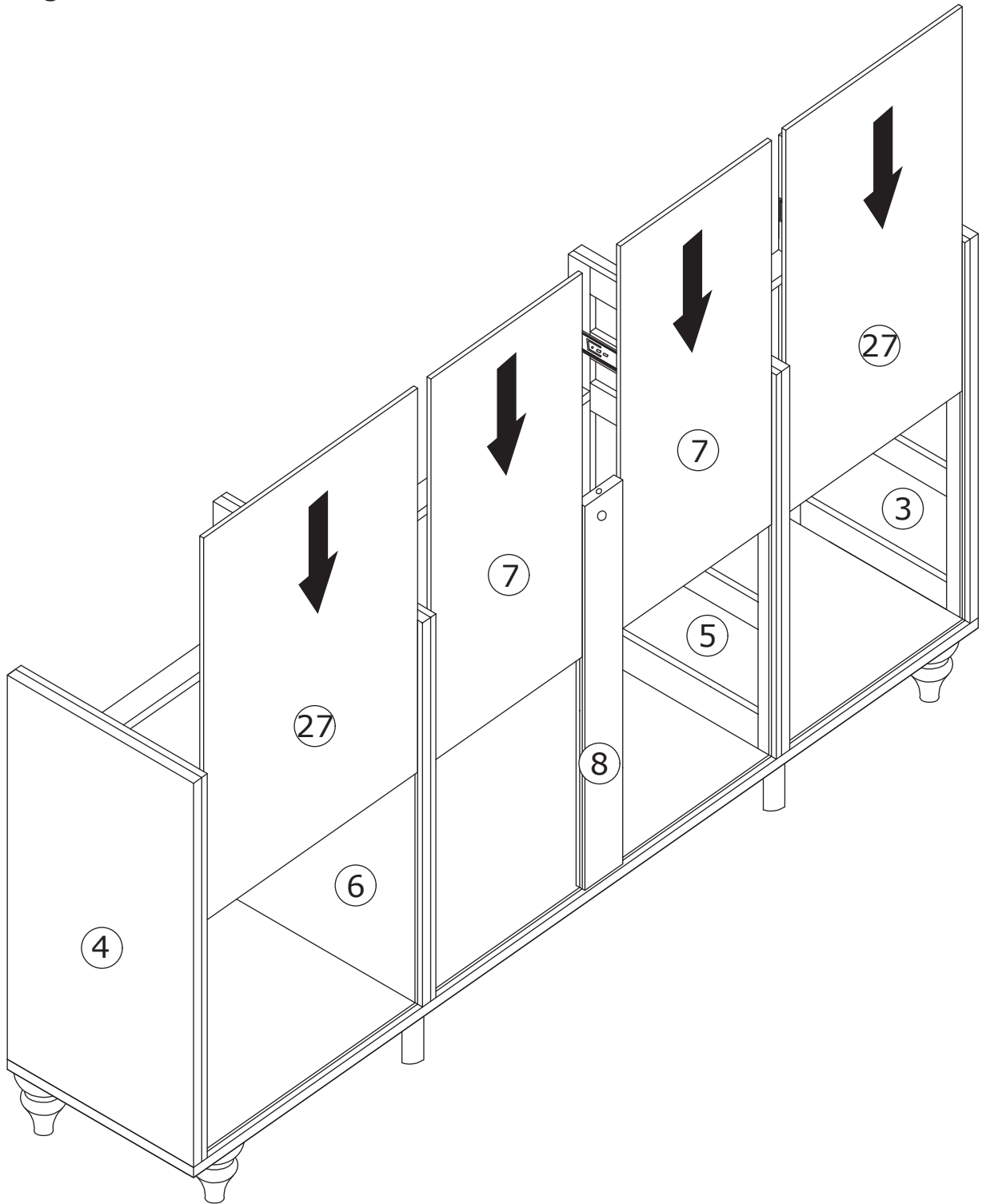


Attach board 8 to board 2 and tighten it with the screw B.

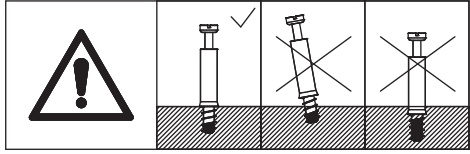
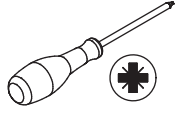
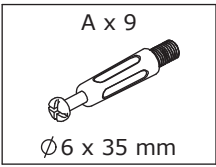


17

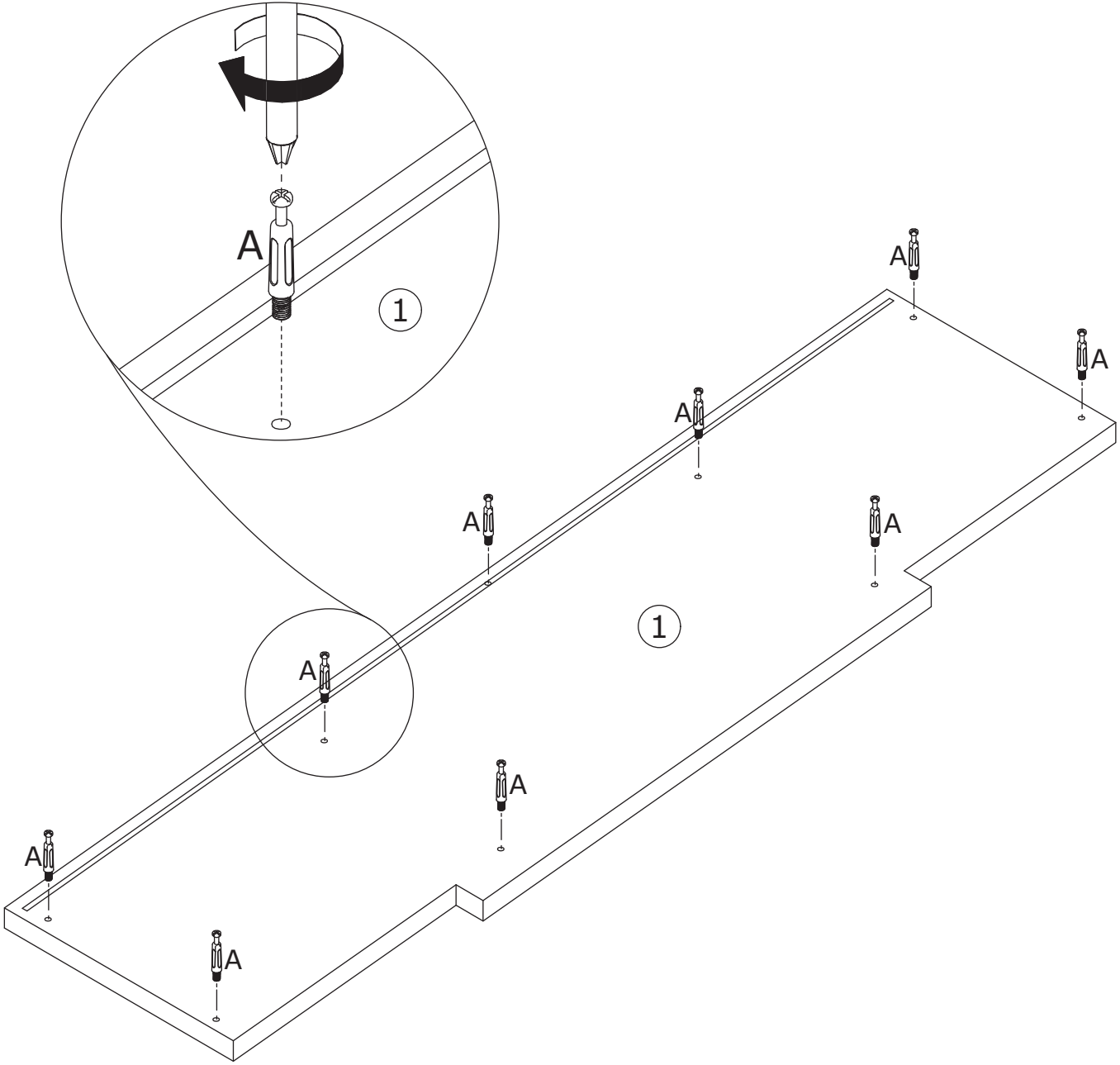
Insert the two planks 7 and 27 into the grooves on each side.



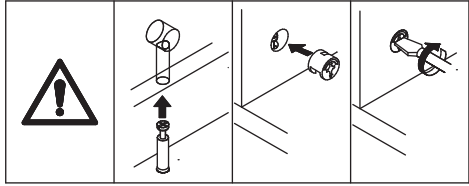
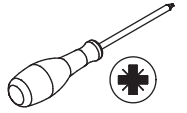
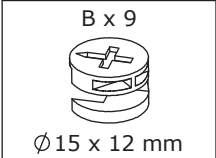
18



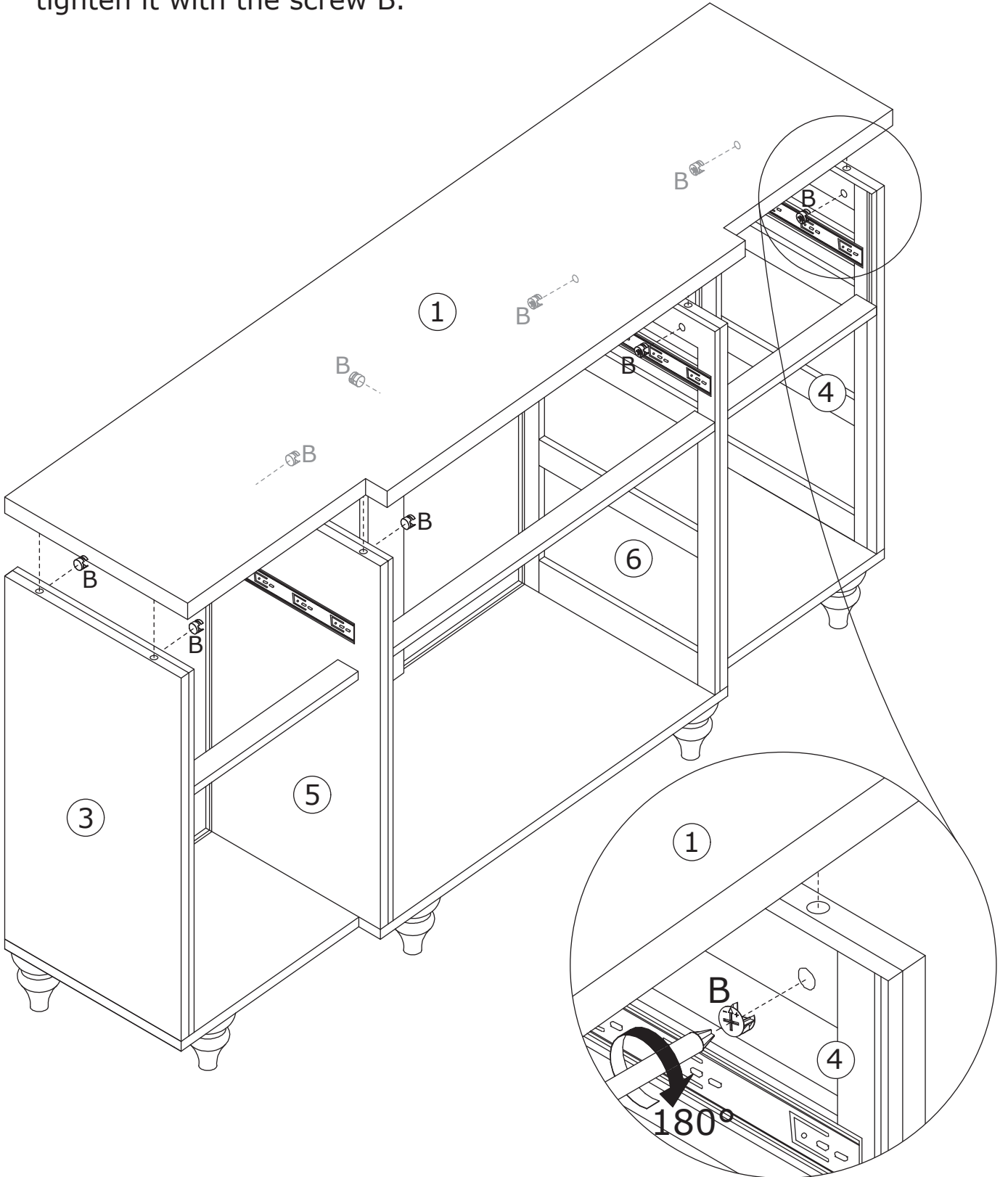
Secure screws A to board 1.



19

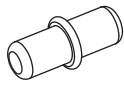


Attach board 1 to the top of the unit and tighten it with the screw B.

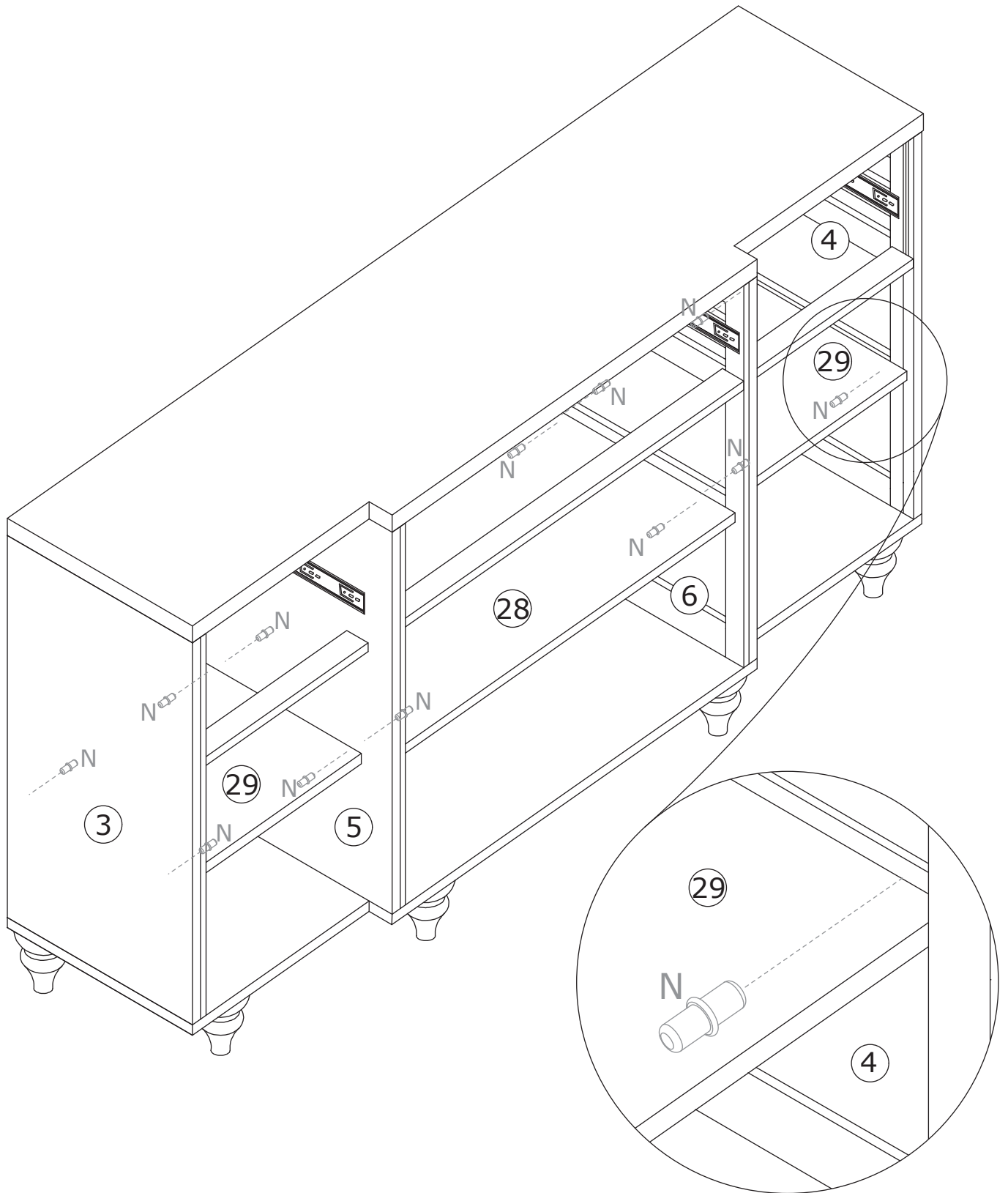


20

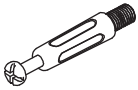


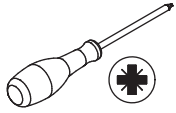

N x 8

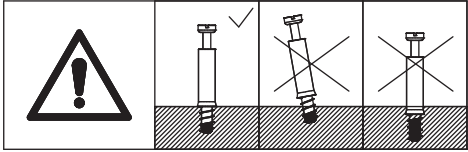


Insert layer pin N into boards 3, 4, 5 and 6, and then place boards 28 and 29 on them.

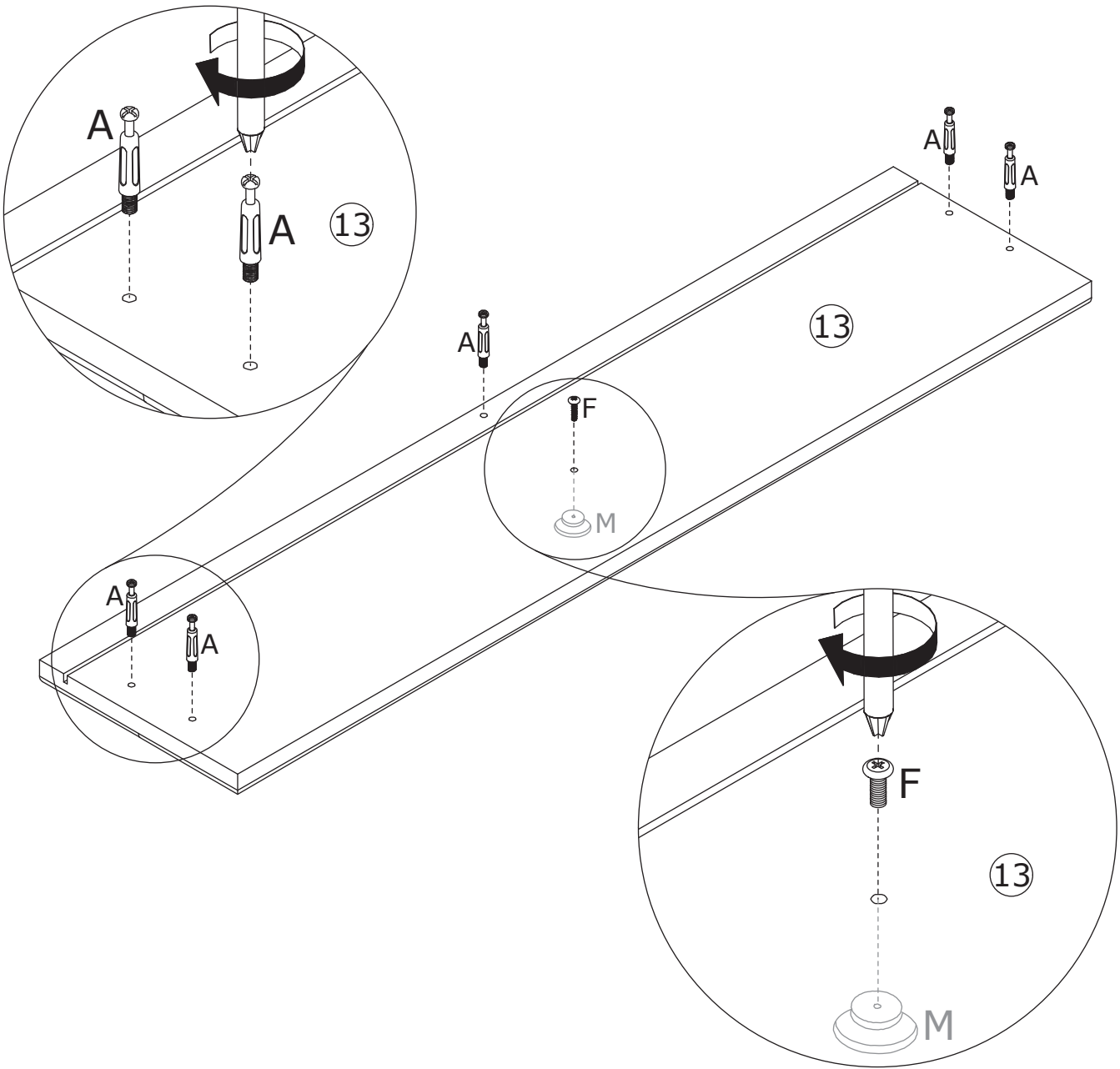


21

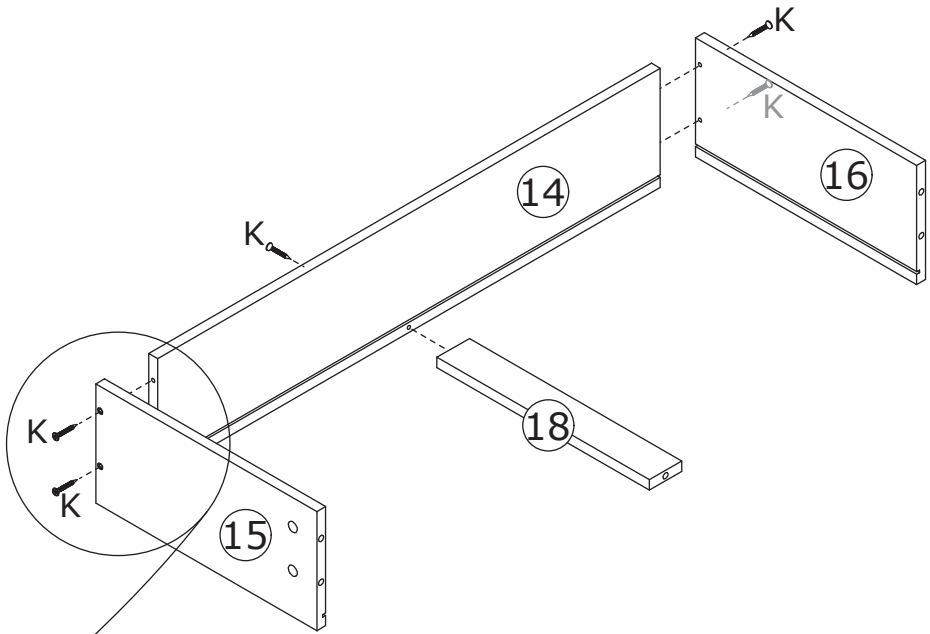
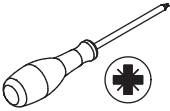
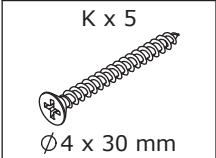
<p>A x 5</p>  <p>Ø6 x 35 mm</p>	<p>F x 1</p>  <p>Ø4 x 16 mm</p>	<p>M x 1</p> 	 
--	--	--	---



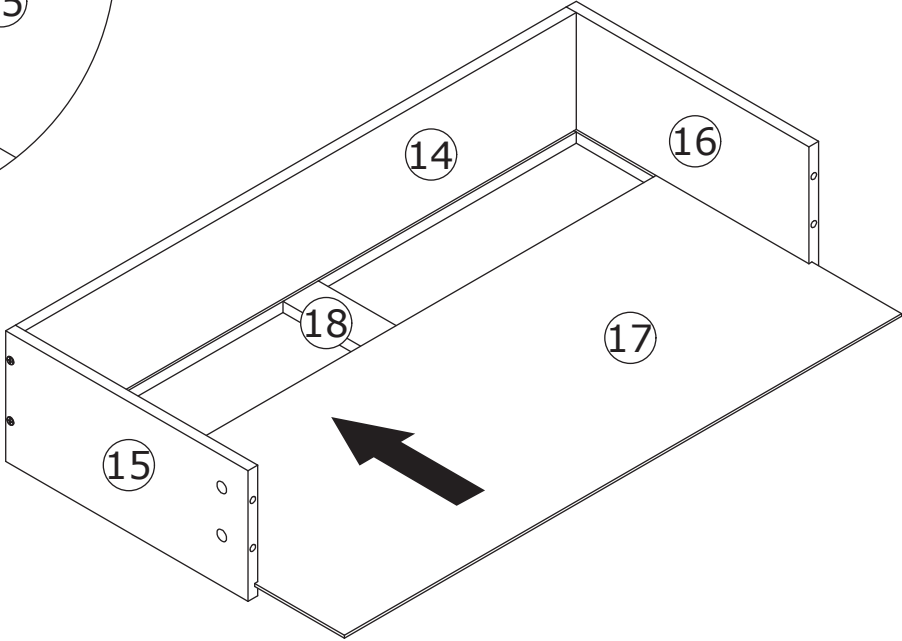
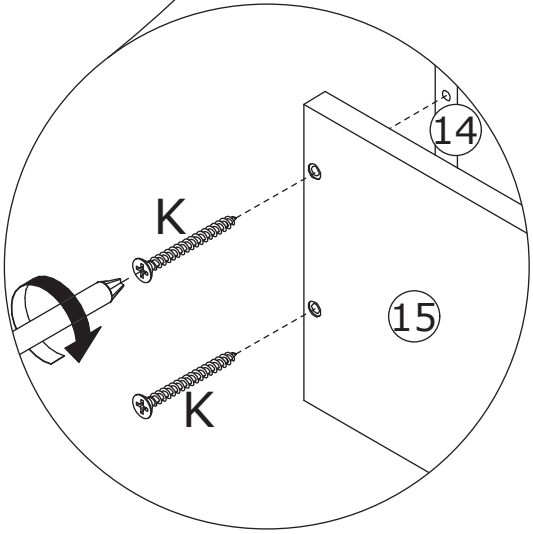
Secure screws A to board 13, and fix knob M with screw F as shown.



22

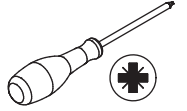
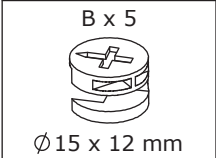


Assemble boards 14, 15, 16, and 18 together with screw K as shown.

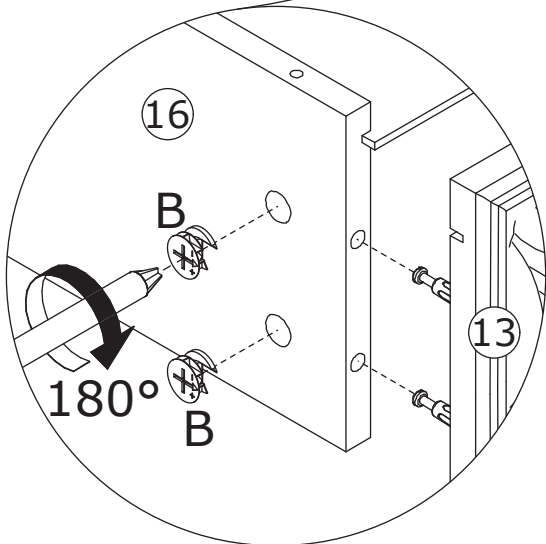
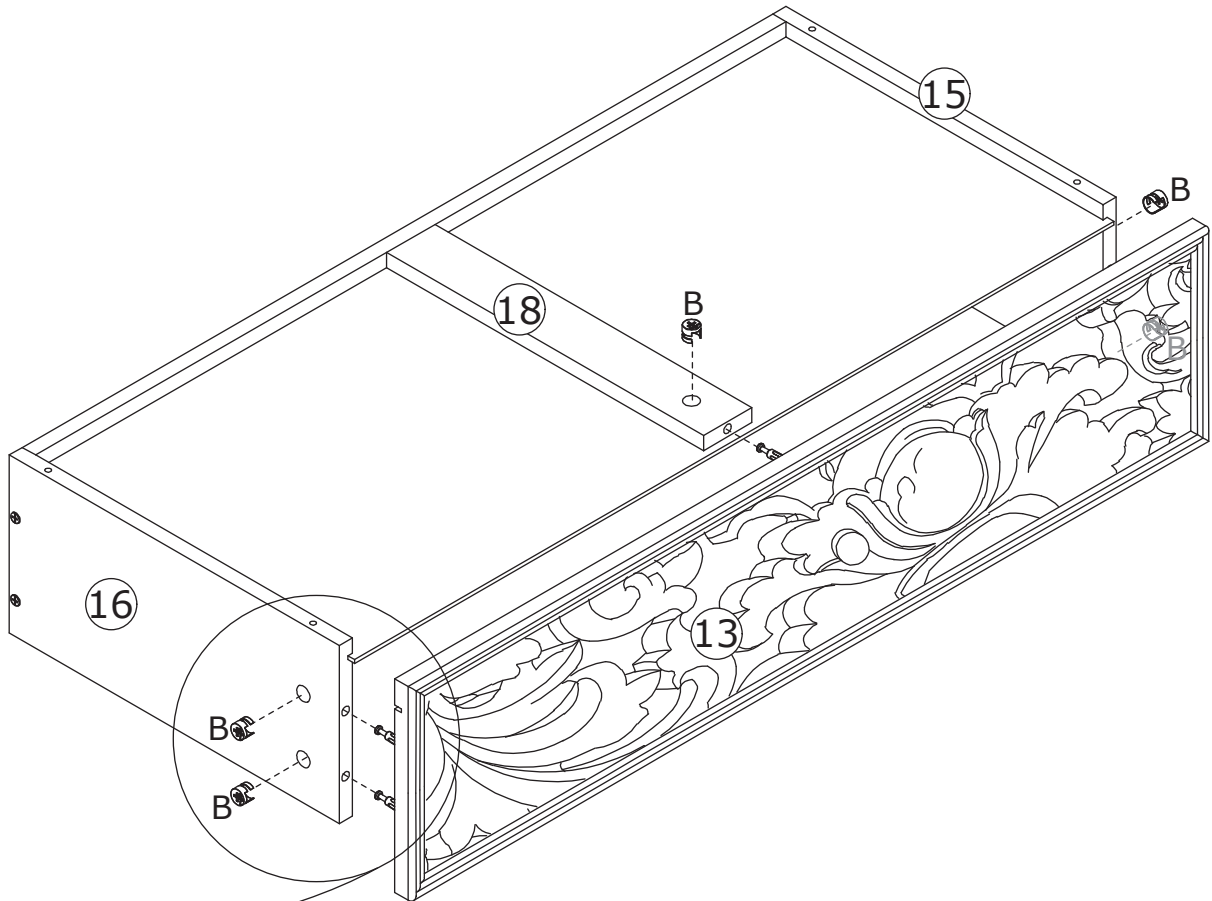
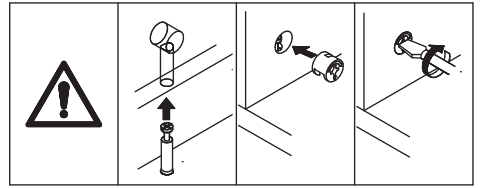


Insert board 17 into the slots as shown.

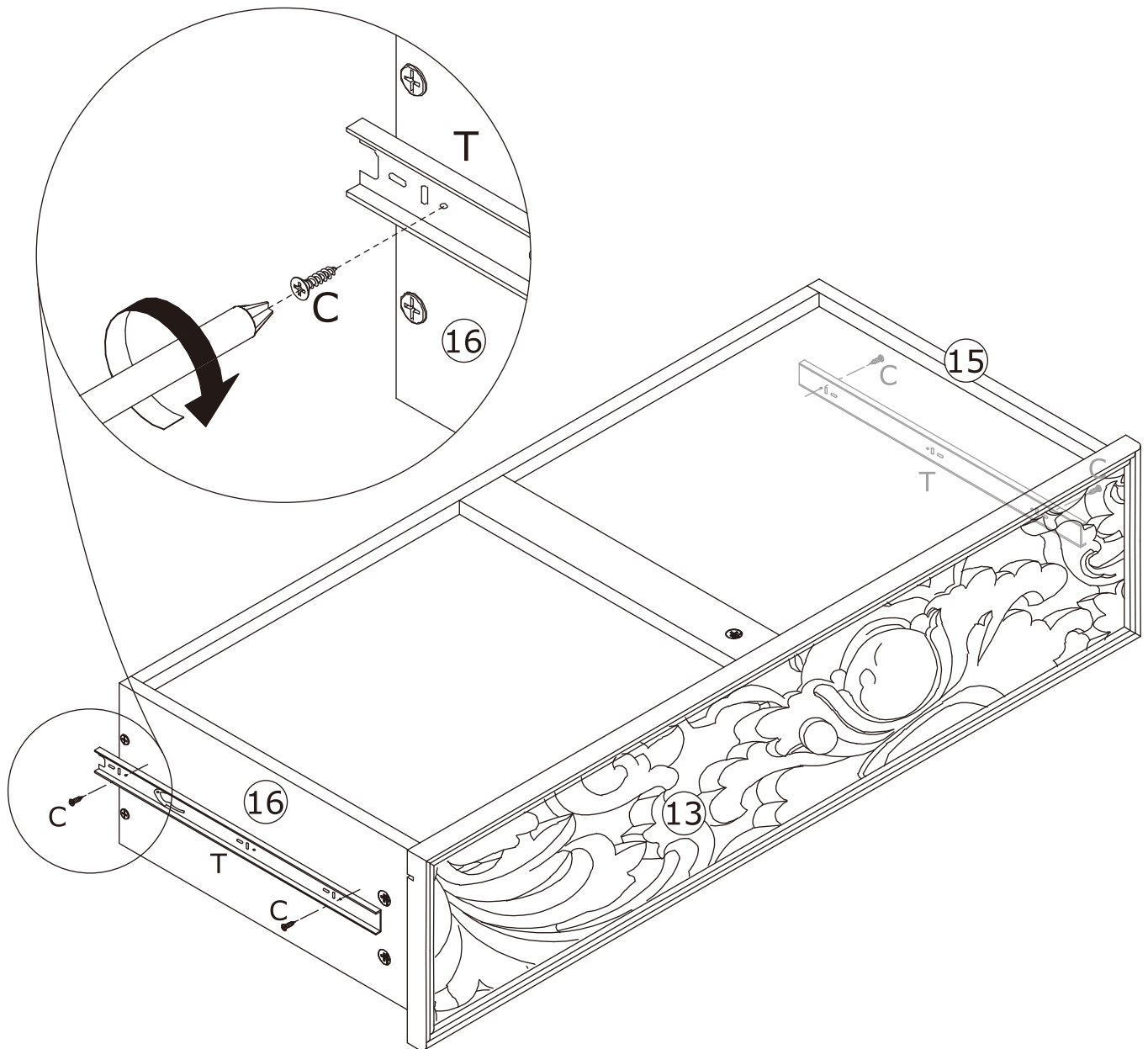
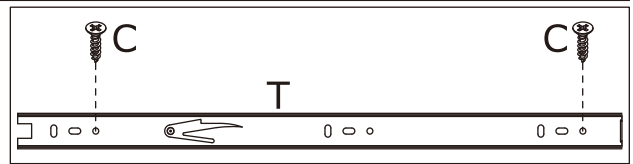
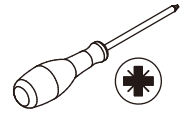
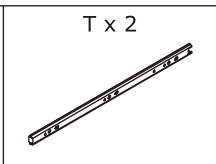
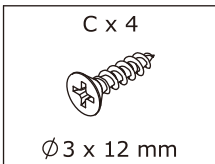
23



Assemble boards 15, 16, 18 and board 13 together and tighten it with the screw B.

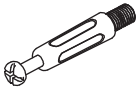


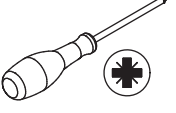


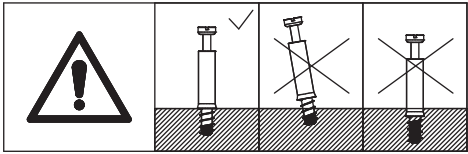
24



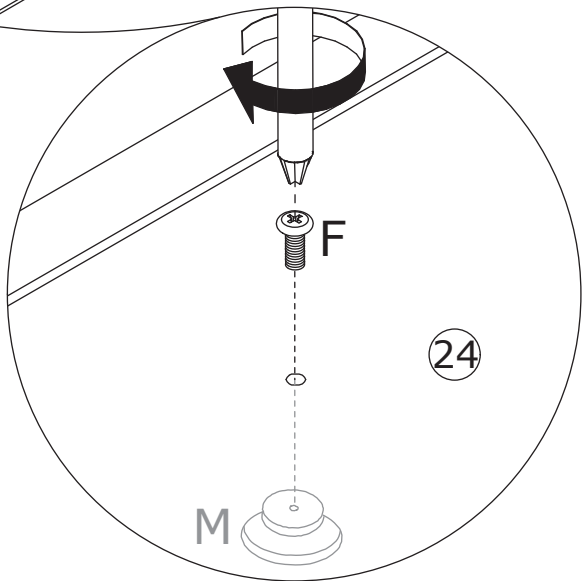
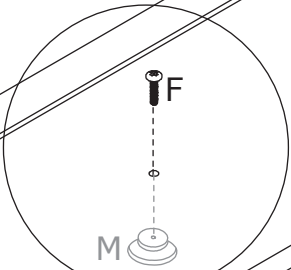
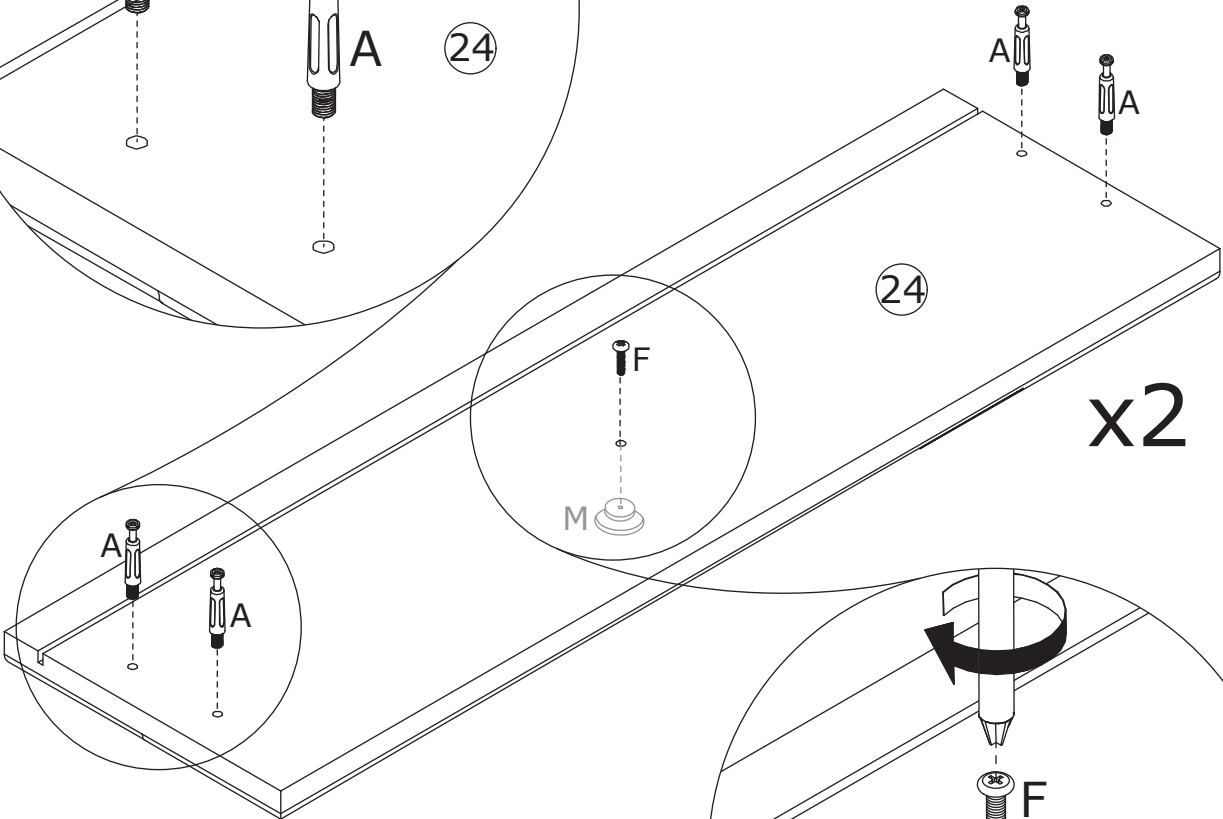
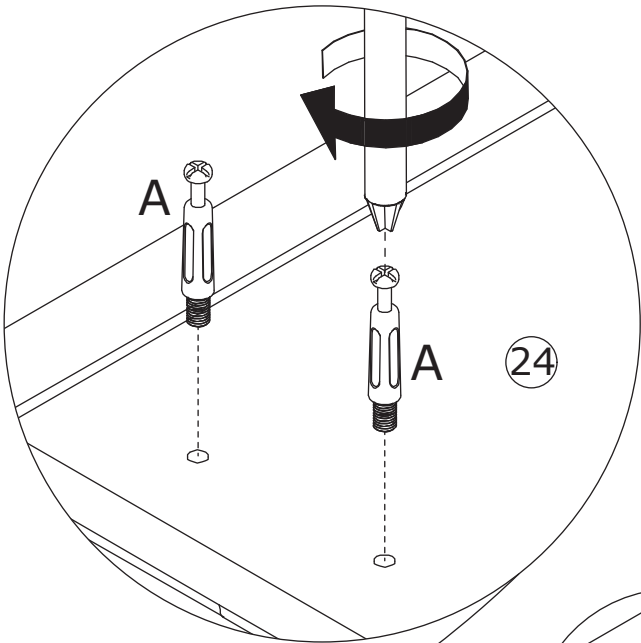
Fix slide T to boards 15 and 16 using screws C as shown.

25

<p>A x 8</p>  <p>Ø6 x 35 mm</p>	<p>F x 2</p>  <p>Ø4 x 16 mm</p>	<p>M x 2</p> 	
--	--	--	---

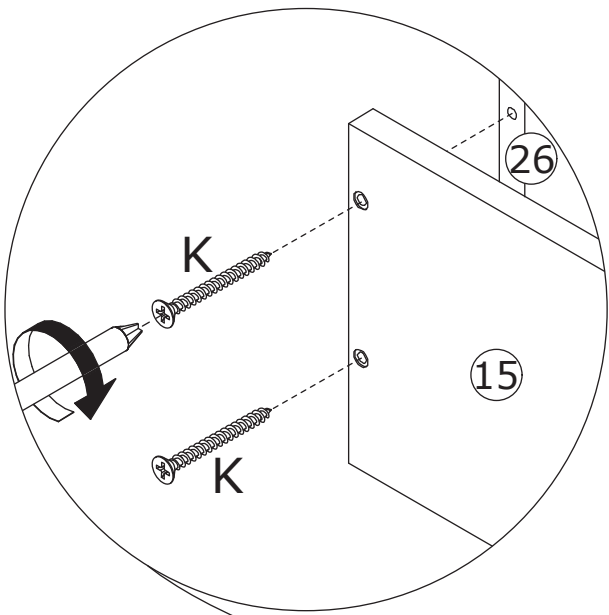
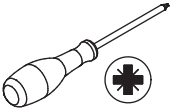


Secure screws A to board 24, and fix knob M with screw F as shown.

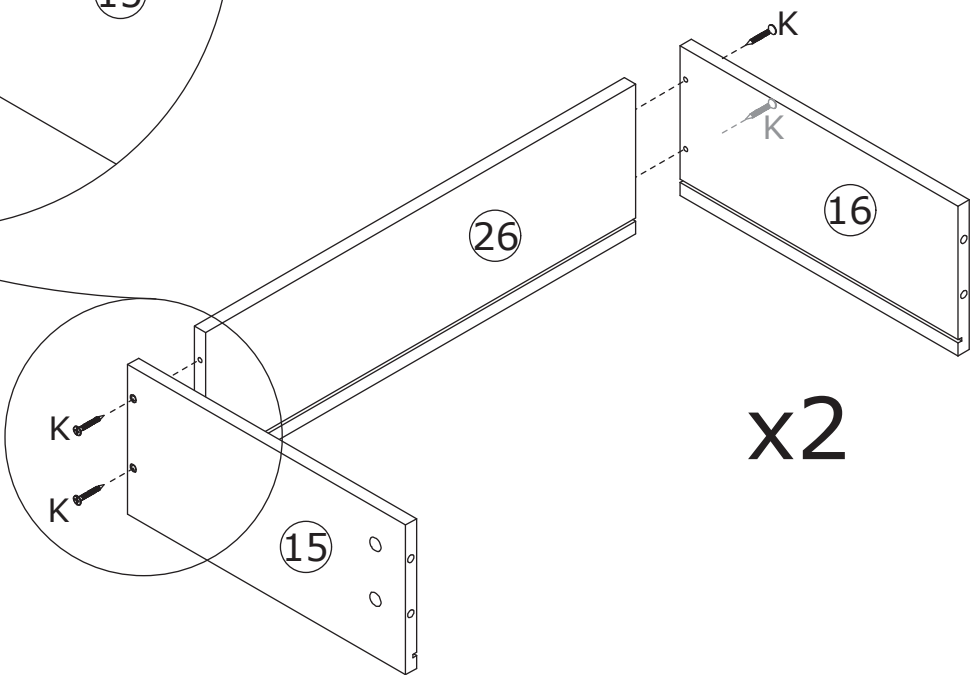


26

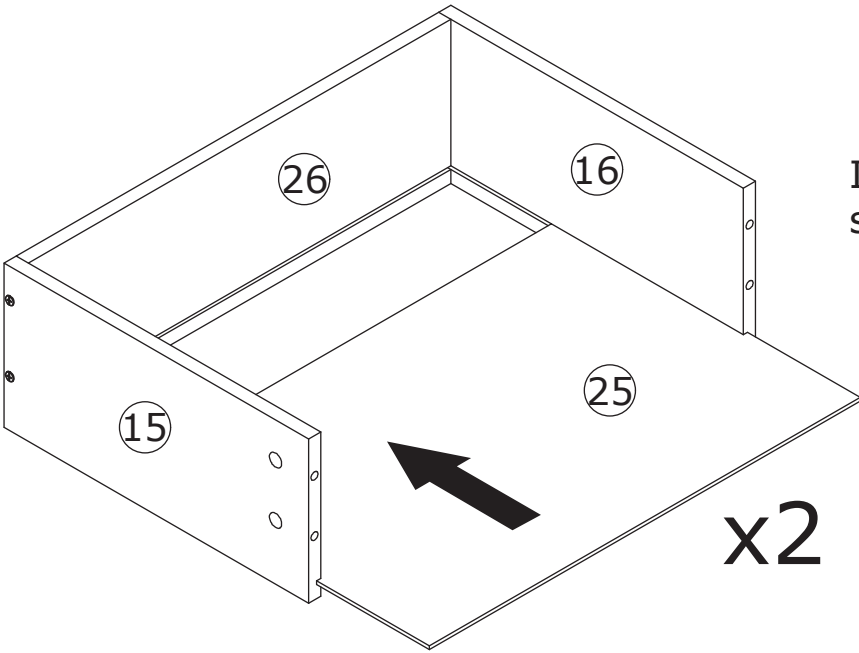
K x 8
Ø 4 x 30 mm



Attach the boards 15, 16, and 26 together with screws K as shown.



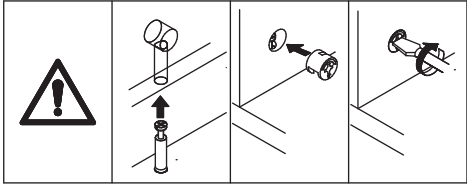
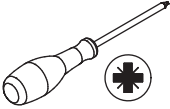
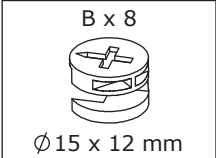
x2



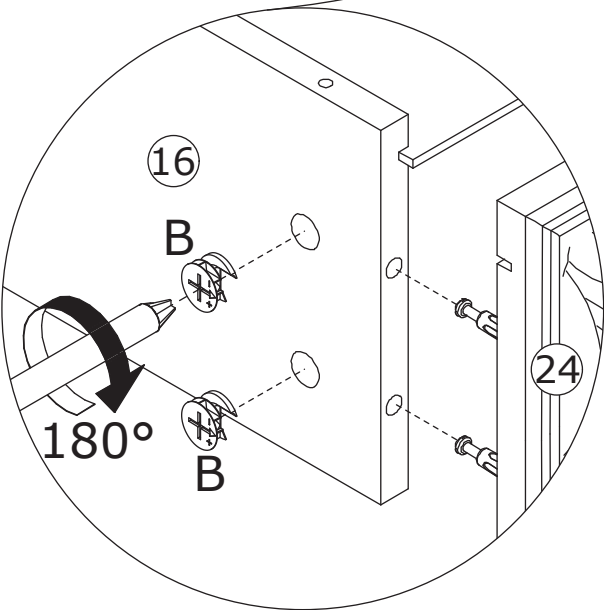
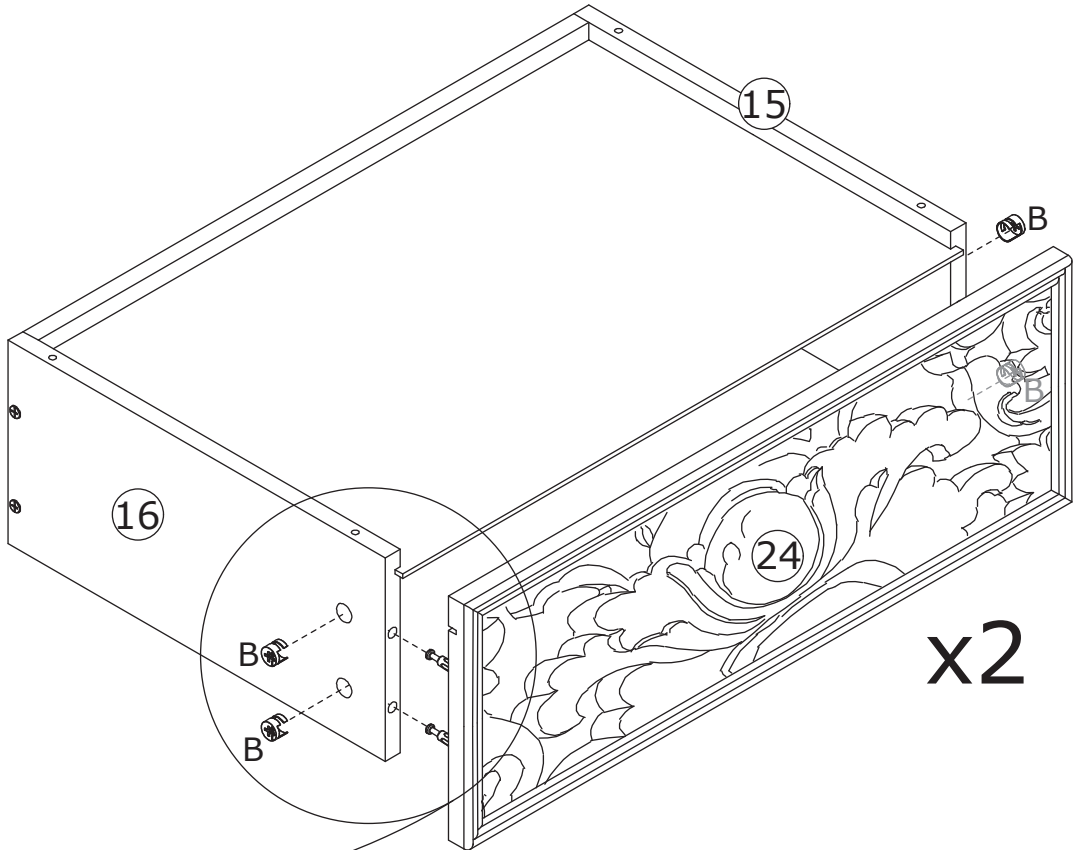
Insert board 25 into slots as shown.

x2

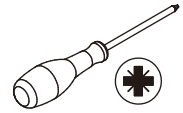
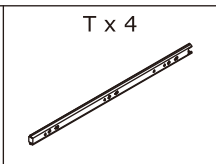
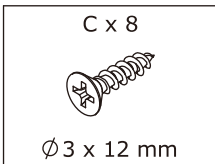
27



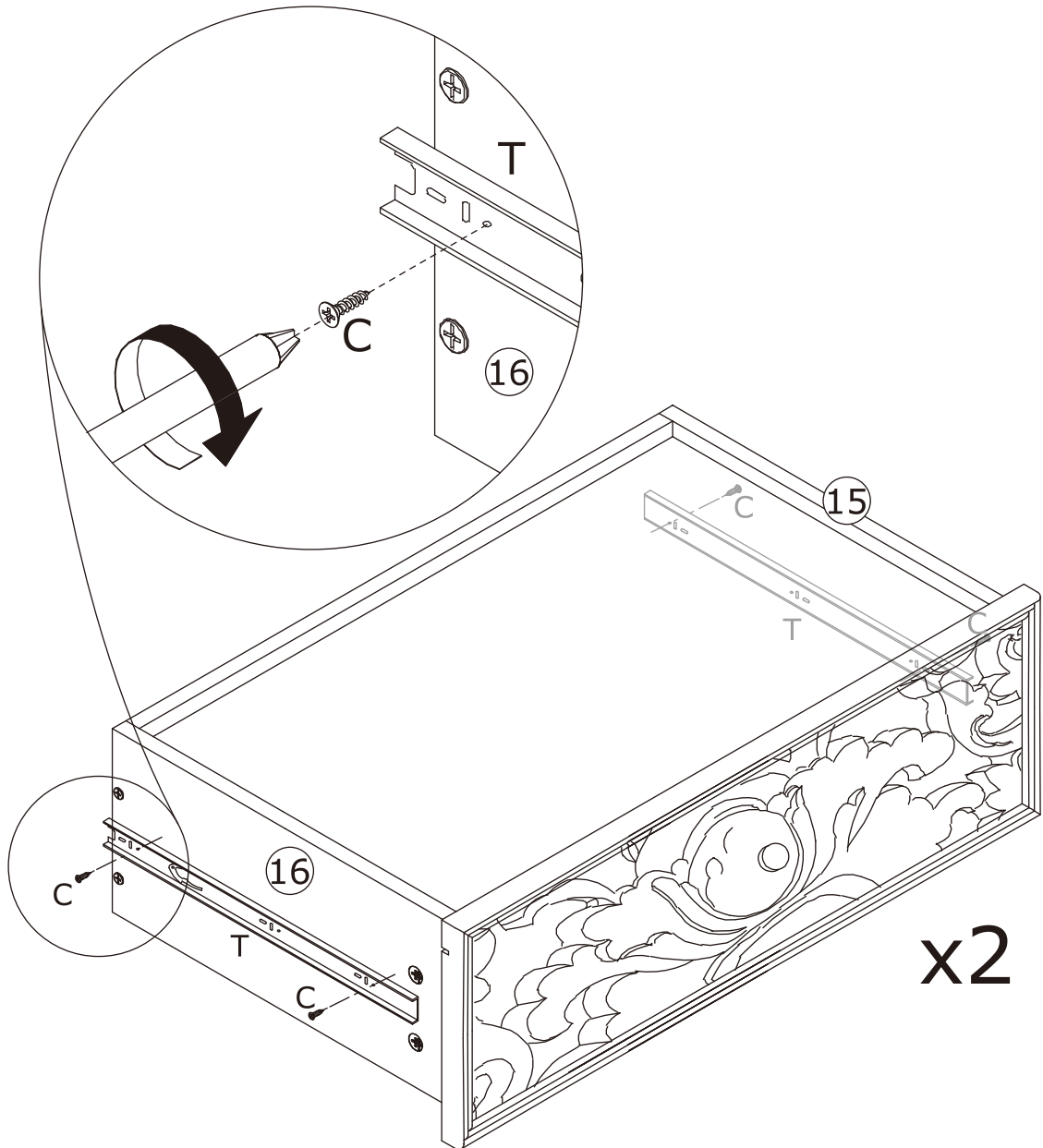
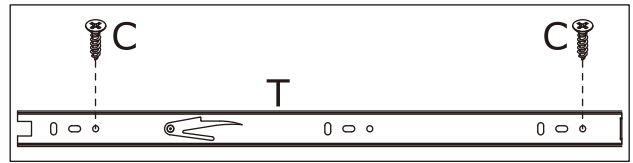
Attach boards 15, 16 to board 24, and tighten with screws B.




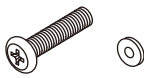

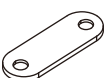
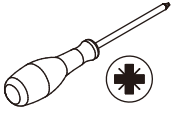
28

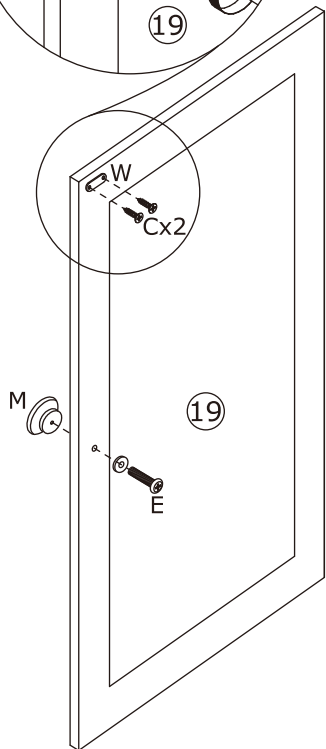
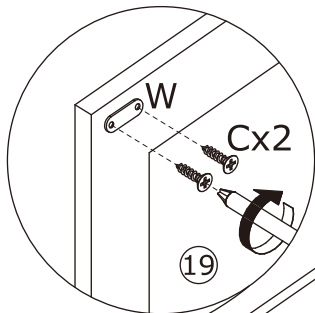


Fix slide T to boards 15 and 16 with screws C as shown.

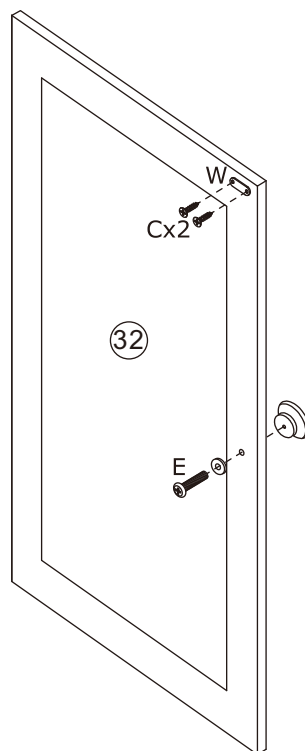
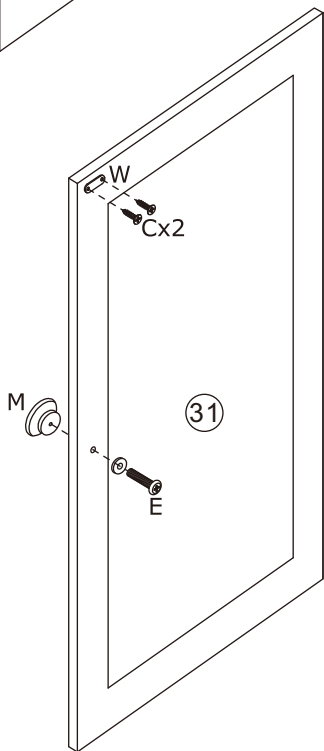
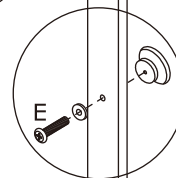
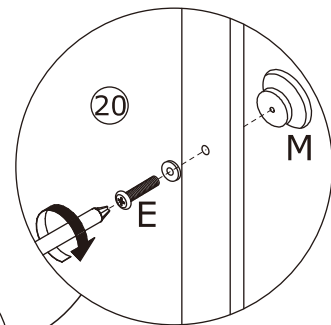
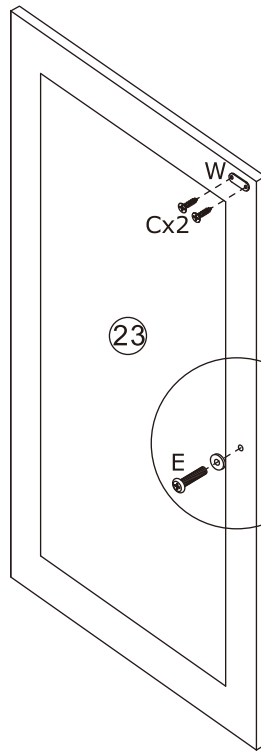


29

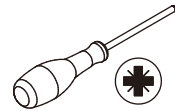
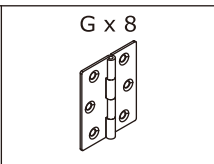
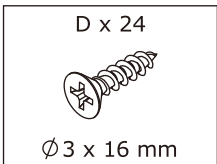
<p>C x 8</p>  <p>Ø 3 x 12 mm</p>	<p>E x 4</p>  <p>Ø 4 x 22 mm</p>	<p>M x 4</p> 	<p>W x 4</p> 	
---	---	--	---	---



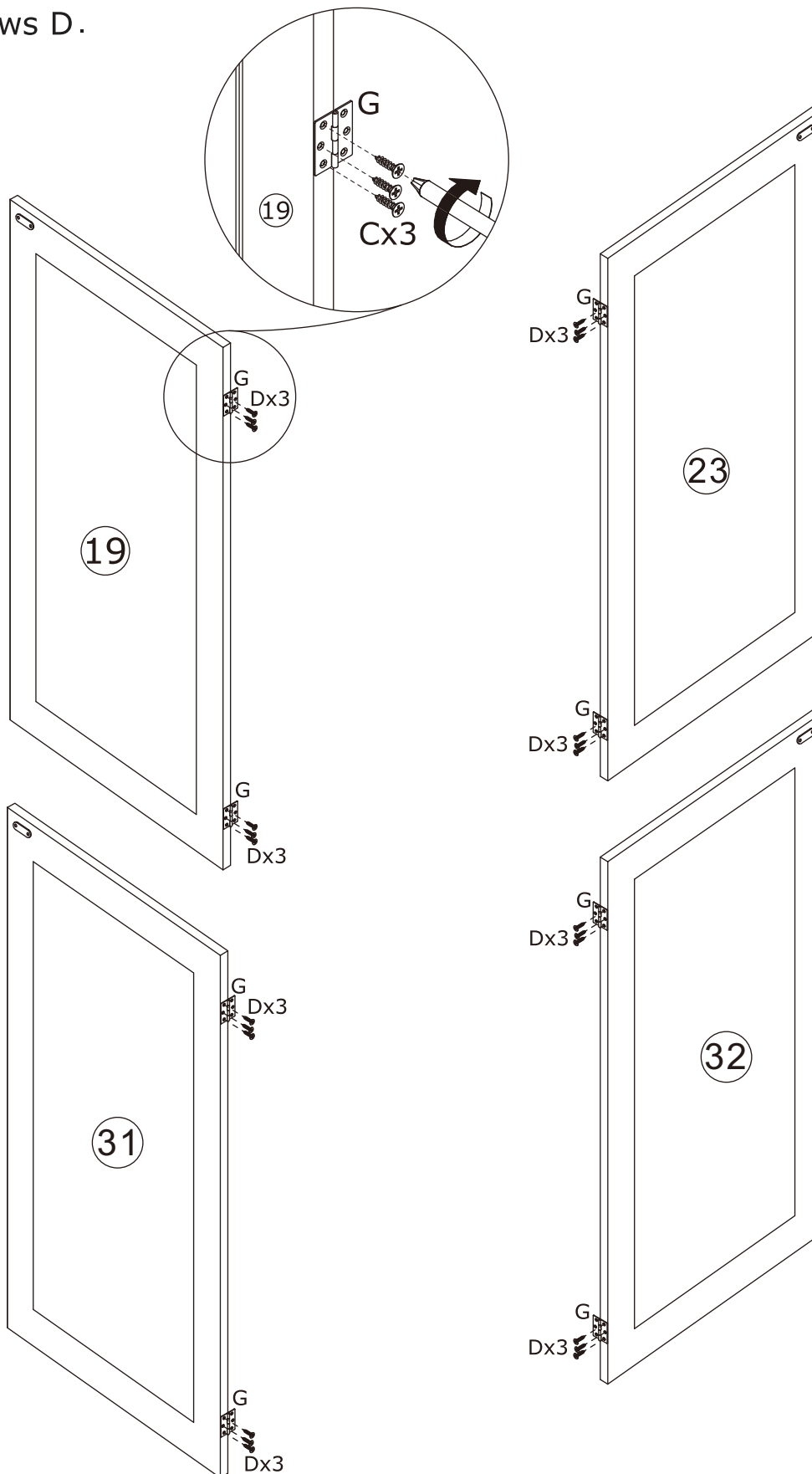
Fix patch W to boards 19, 23 and 31, 32 with screw C, and fix knob M with screw E.



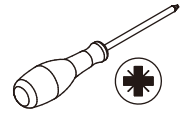
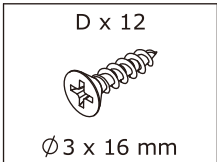
30



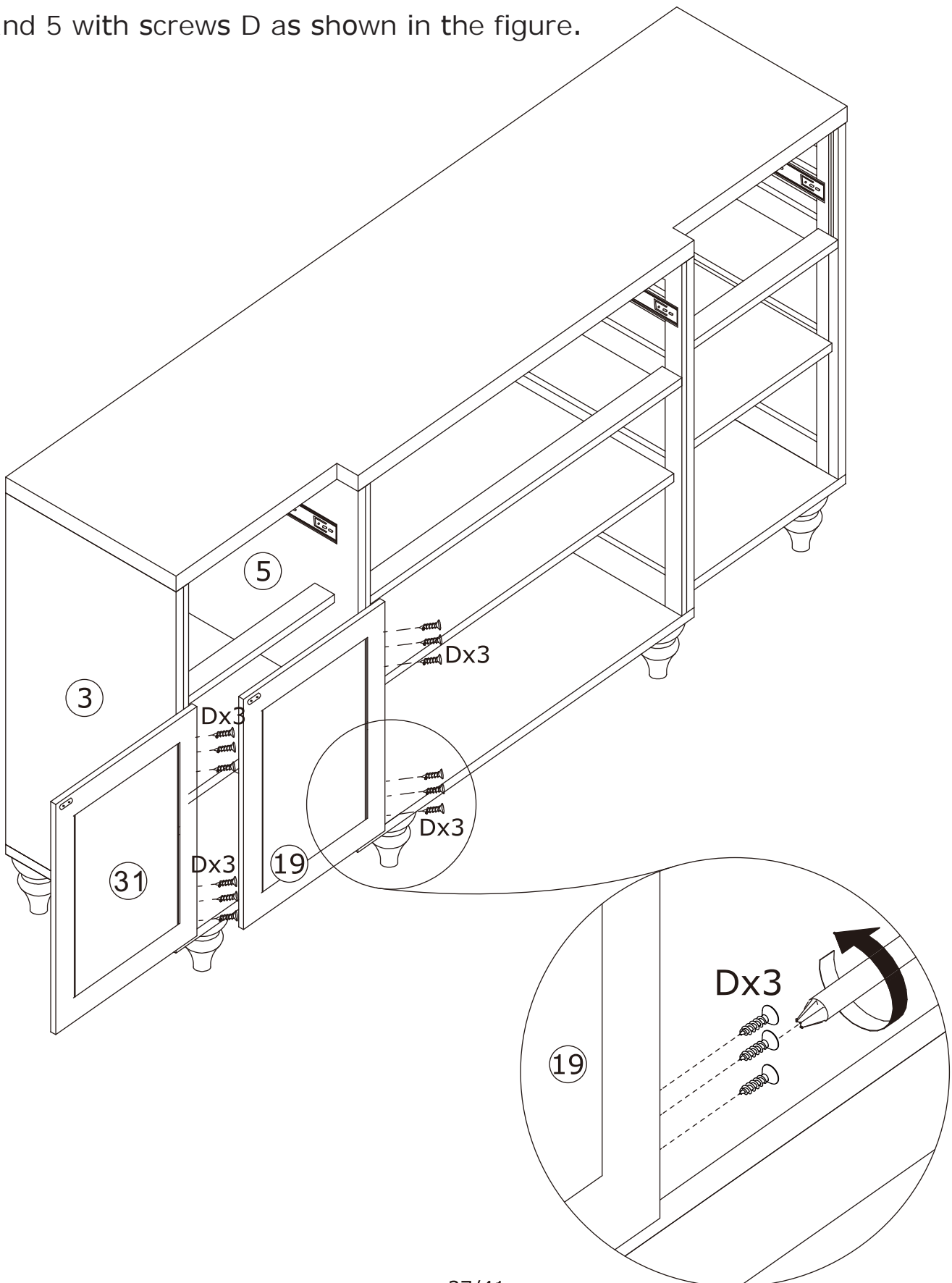
The hinge G is fixed to boards 19 and 23 respectively with screws D.



31

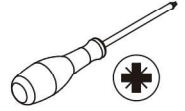


Two boards 19 and 31 are fixed to boards 3 and 5 with screws D as shown in the figure.

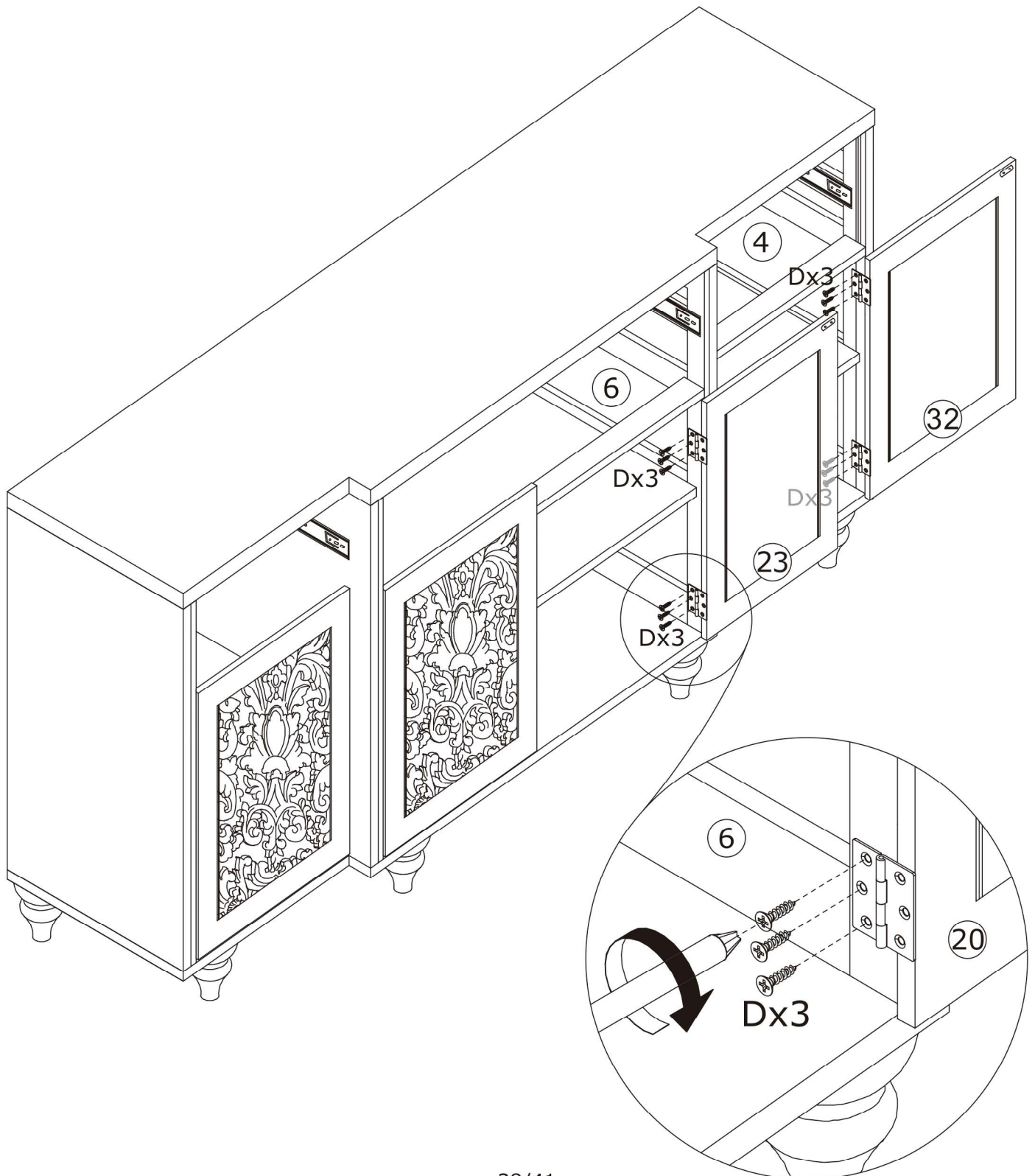


32

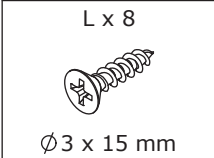
D x 12
Ø3 x 16 mm



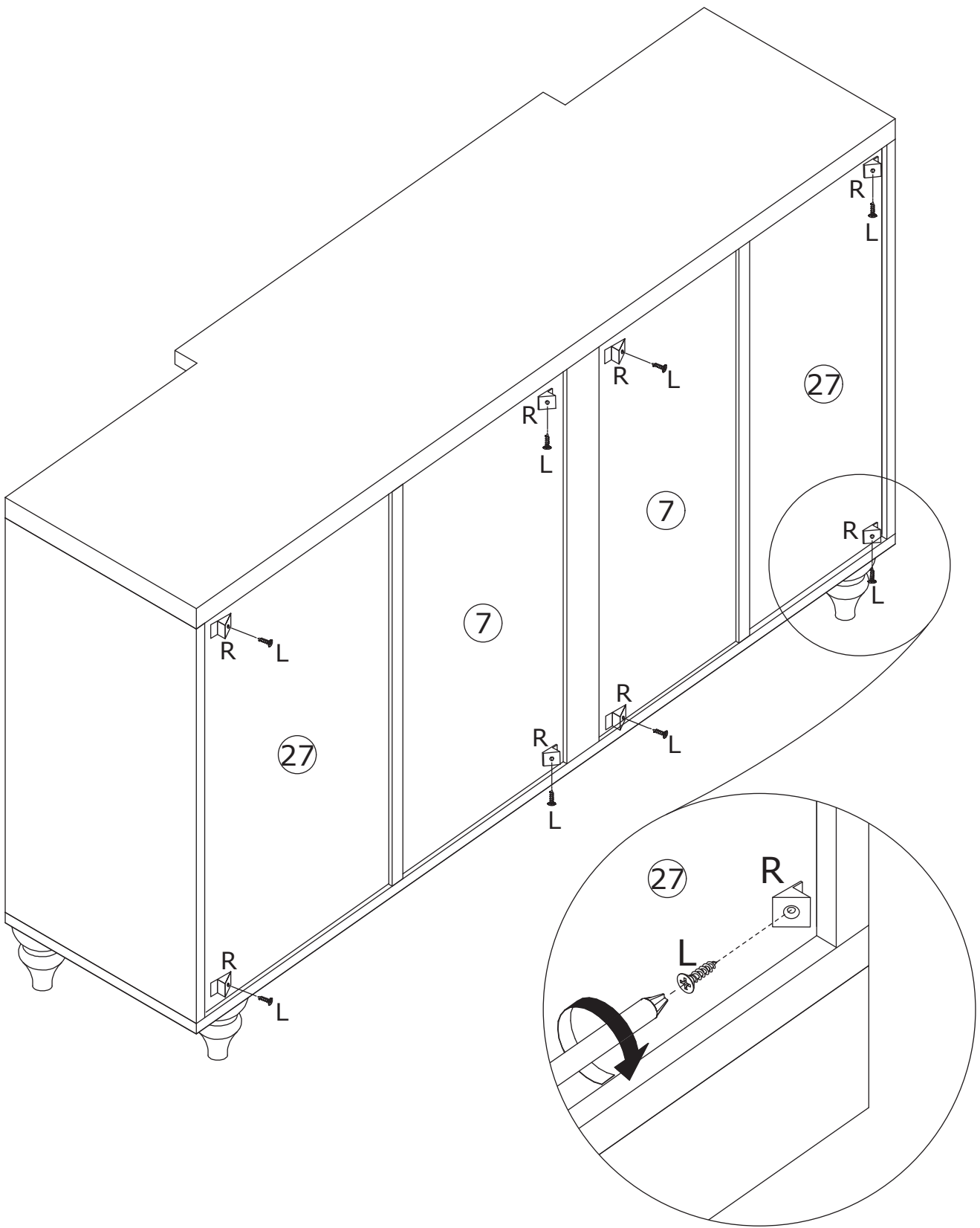
Two boards 20 and 32 are fixed to boards 4 and 6 with screws D as shown in the figure.



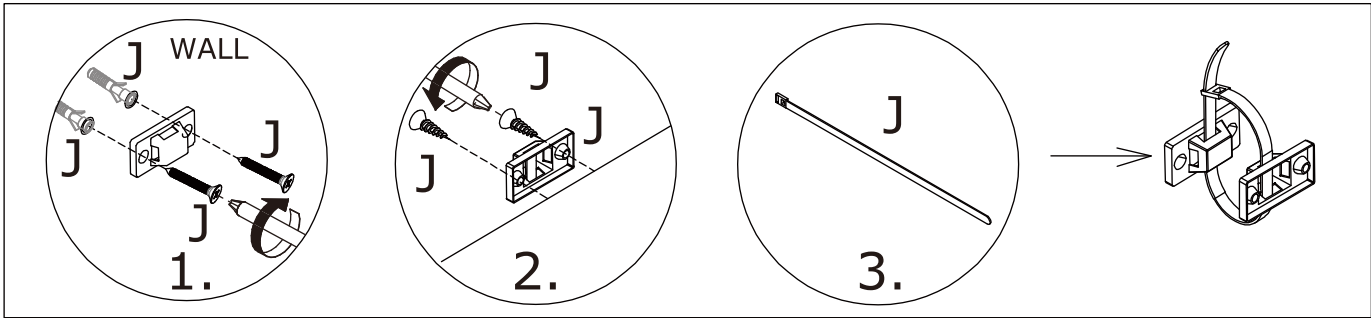
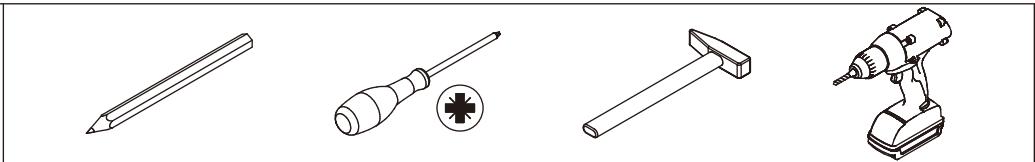
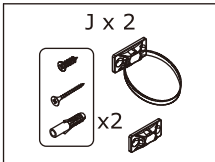
33



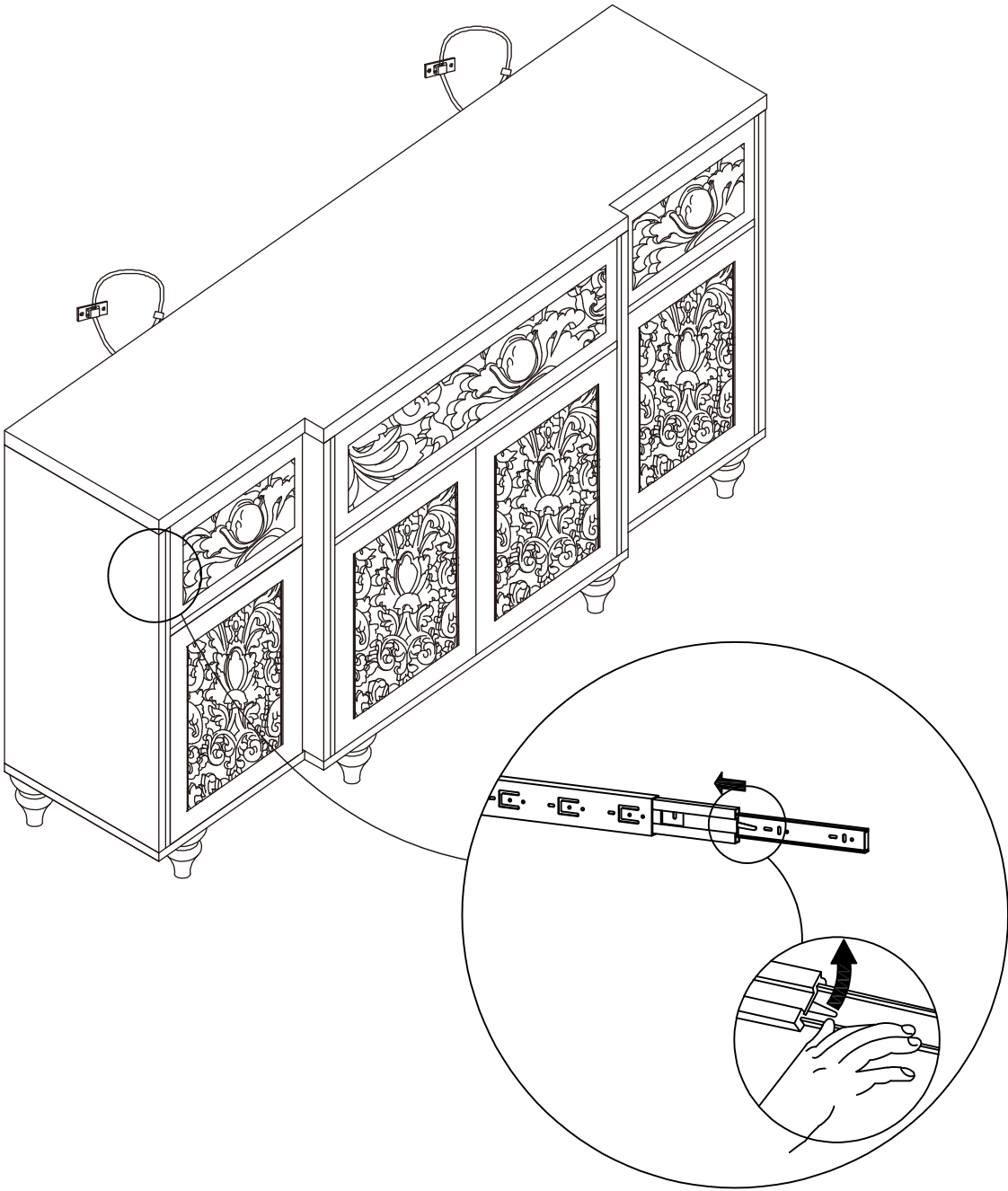
Insert the fitting R to back slots and fix with the screws L as shown in the figure.



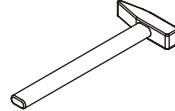
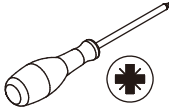
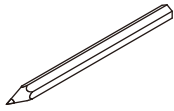
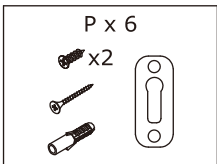
34



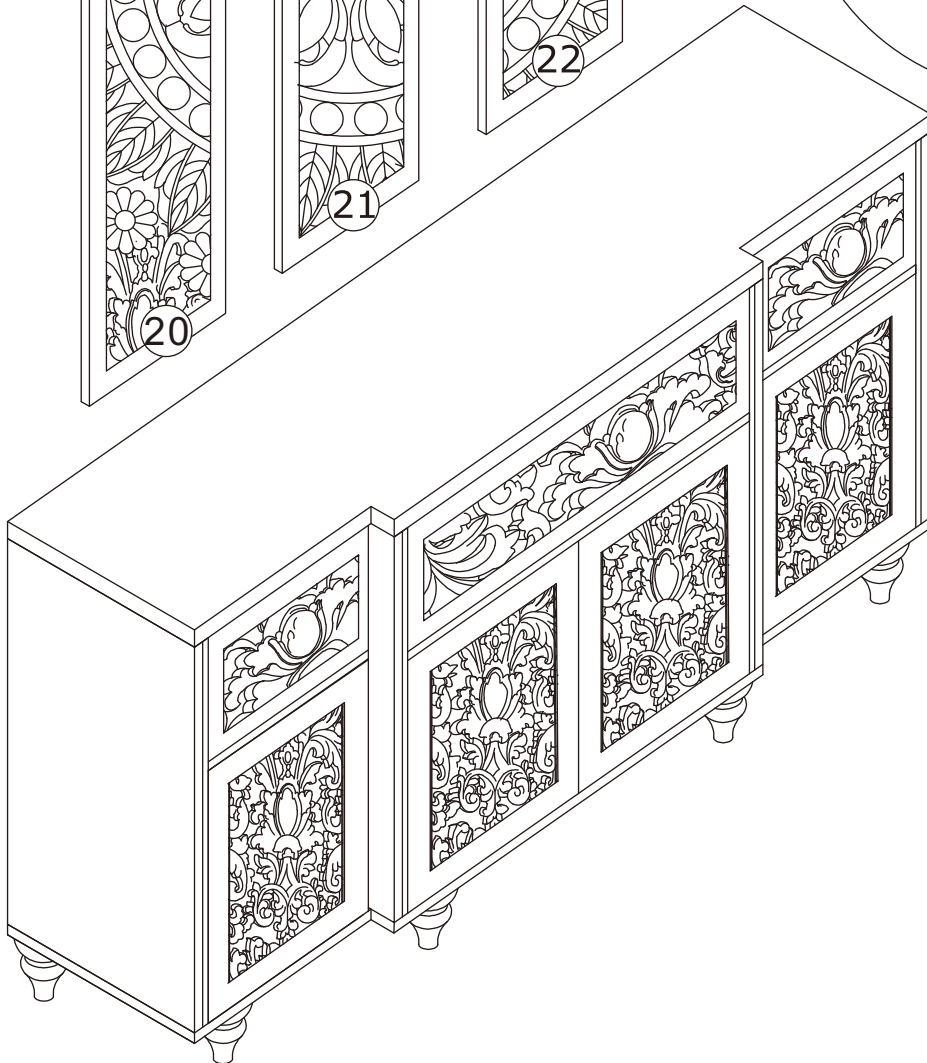
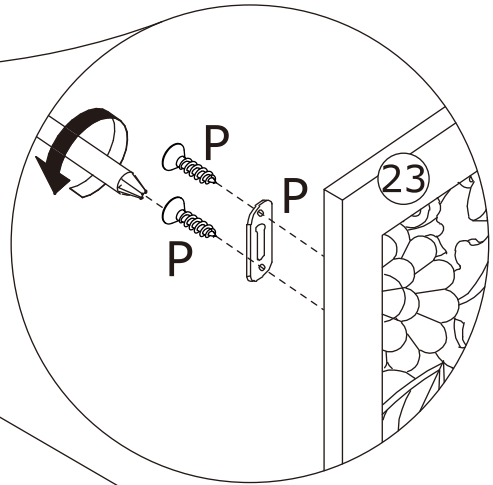
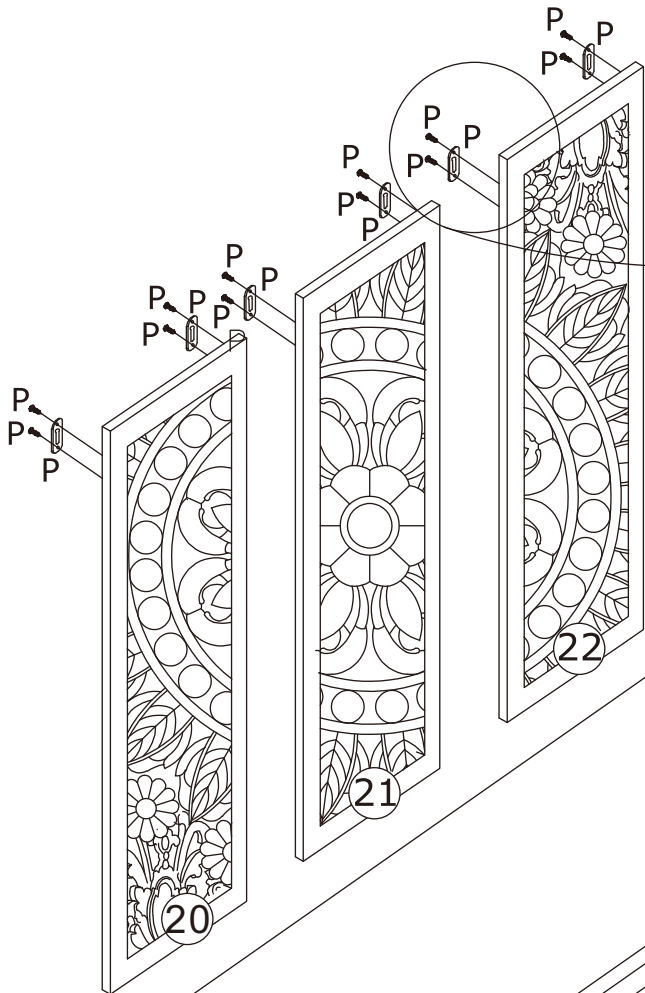
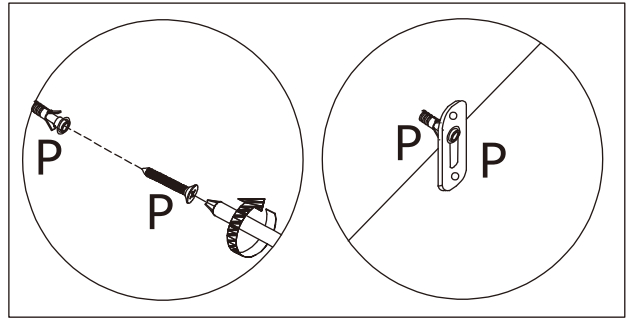
Install anti-tipping devices.



35



Secure part 20,21,and22 to the wall with hardware P as shown.



WARRANTY

WARRANTY CLAIMS

- There is a 30-day warranty for broken furniture or any other problems that do not work properly. The warranty will start from the date of purchase which must be verified by proof of purchase.
- Before making a claim, we may be able to answer your query, simply call us. Please leave your purchase order number, along with some details of the problem, if you want a replacement part. We will arrange within 48 hours. If there is out of stock, we will reply with a shipping date.
- The product must be used in accordance with the instructions provided. For health reasons.
- For other reasons, if the furniture needs to be returned, it must be cleaned and dried and operated within 30 days of receipt.

Type of Warranty Claim

- Failure to follow the furniture instructions will invalidate the warranty. Attention please.
- Does not include damage during installation, but includes damage during transportation.

Scope of responsibility

- Shall not bear any responsibility for misuse or user damage and / or loss of parts during the installation of furniture.
- After using, the damage and scratches of the furniture are not covered by the warranty.

The Warranty Relates to All Bought in The Us and Covers The Following Areas

- Sheet parts: 1 month from the date of purchase.
- Electrical parts: 1 month from the date of purchase.

RETURNS

CHANGED YOUR MIND AND NEED TO RETURN YOU ITEM?

PLEASE FOLLOW THE BELOW INSTRUCTIONS:

- If you have purchased and have simply changed your mind, follow the retailer's instructions for returns.

DEFECTIVE ITEMS

- If your item is defective in any way, i.e. it doesn't work but you can't identify why, in the first instance, please call us.

DAMAGED ITEMS

- If you receive an order with obvious shipping damage from the retailer, then we suggest the delivery is refused. If the delivery has been accepted and then shipping damage is found, please follow the specific instructions advised by the retailer.
In all circumstances please save all packaging material and paperwork for the order. Please be aware that if you dispose of packaging material or attempt to return the merchandise without contacting the fulfiller, you jeopardise your chances of making a claim, and you may not receive a credit for the return.