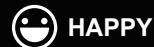


CUSTOMER CARE



We're just happy cuz you're happy.
If you don't know how to express your new-found joy, we can get a few suggestions.

Tell your family and friends.
Share your experience by writing a review.



Our friendly customer service team will work hard to make you have a big smile.

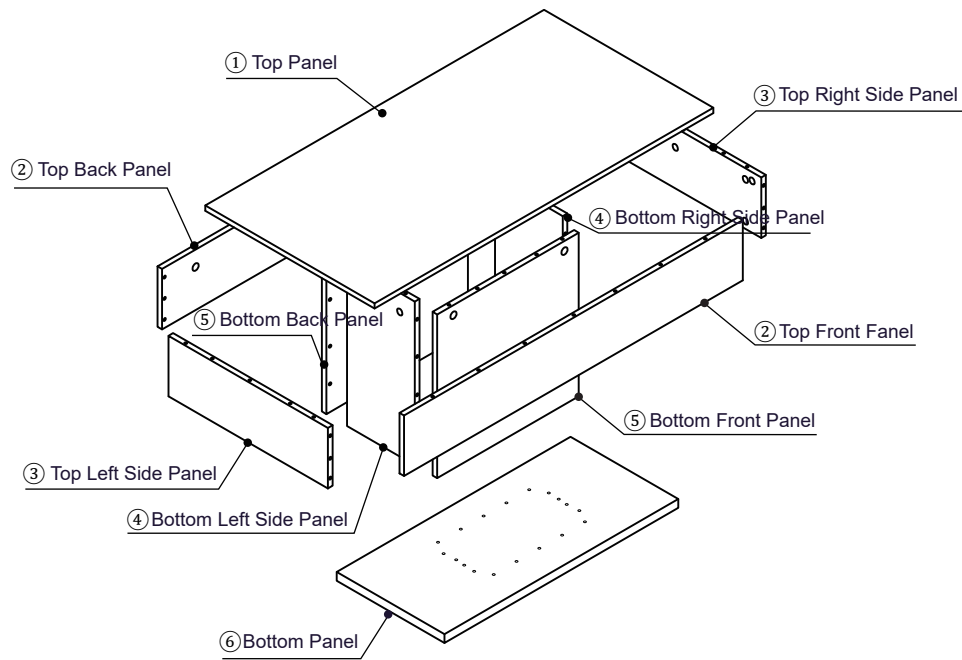
NOTICE:

- › Basic precautions should always be followed when using this product. Please read all instructions before using the cabinet and retain the education for future reference.
- › Failure to observe all instructions and warnings may cause severe property damage or personal injuries.
- › When unpacking, please be careful don't cut too deep to damage the products in the box. Just use the blade to scratch the parcel tape.
- › Check the product and hardware accessories in the box; and confirm whether the instructions are complete.
- › When installing, please pay attention to the protection of the parts. The soft material must be placed under the product, and please carefully handle it to avoid surface damage.
- › After the assembly is completed, please adjust the placement position according to the actual situation.
- › Keep children away from cabinets, accessories, and installation tools. They are at risk of injury to the child.
- › Two people are recommended for assembly.
- › If you need the electronic manual, please contact our customer service to get it.

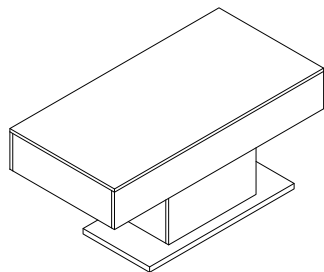
RETURN/DAMAGE CLAIM INSTRUCTIONS:

- › product is shipped in a single carton box. If you haven't received the package or need to know the tracking of the package, get in touch with us immediately via Amazon message or contact us.
- › If the package is damaged, please get in touch with us from the very beginning. Attaching a damaged photo is appreciated.
- › product accepts returns within 30 days without any reason. If you return this item for personal reasons, you must cover the return fee and order processing fee (0- 20% restocking fee based on the invoice price). We will cover the freight if the product has quality issues (not caused by humans).
- › Please keep the original box if you need to return the goods. Please use our return label and do not return it without permission.
- › If you return the product after 30 days of receiving it, we are afraid your return application won't be accepted. We appreciate your understanding.
- › Any damages, defects and parts missings during installation, pls contact us from the very beginning. Replacement, exchange and refund will be arranged ASAP except of personal reasons.

Part List

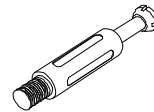


A!
Open the package, and
put the item on the mat with care.
Please install it carefully to ensure
your fingers will not be scratched.



Hardware List

A



×40

B



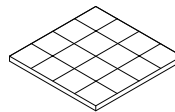
×40

C



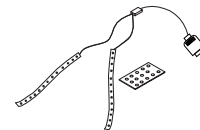
×26

D



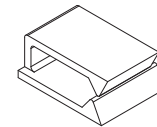
×4

E



×1

F

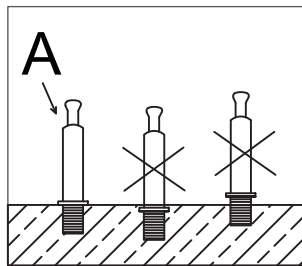
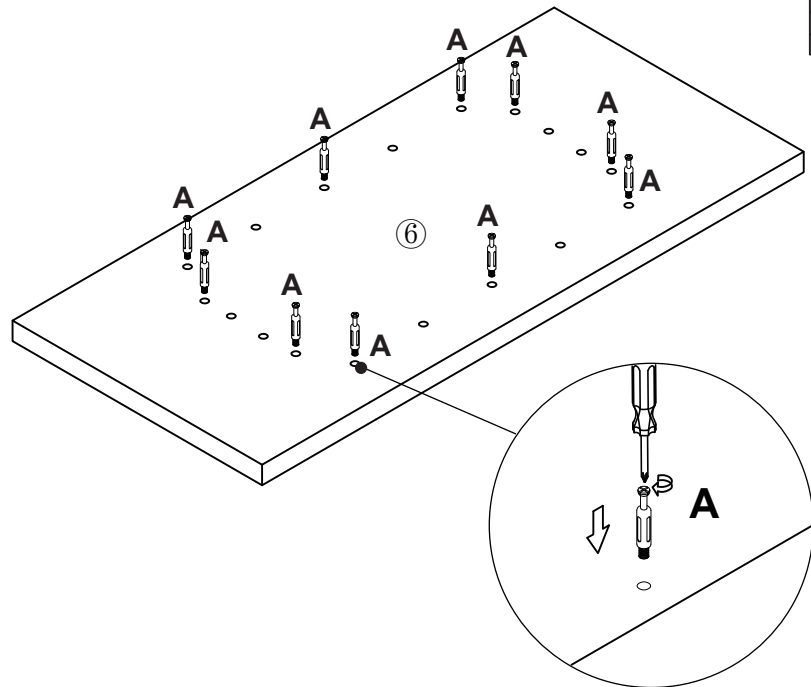
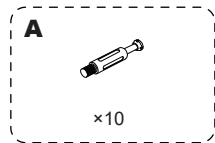


×9

Start...

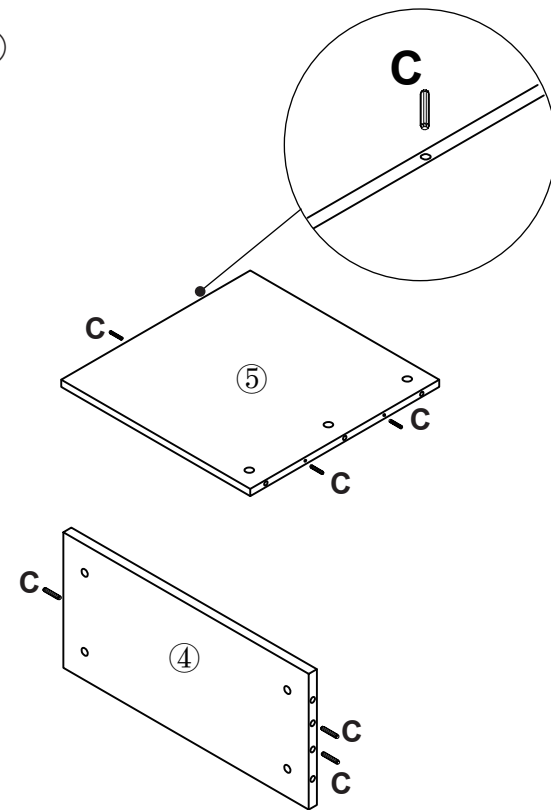
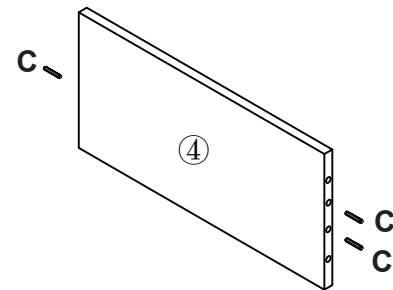
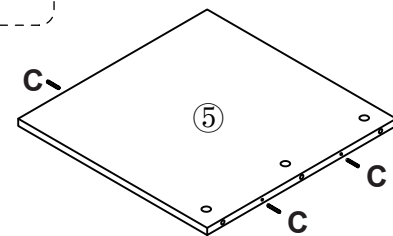
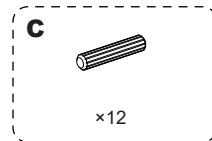
| Step1

Screw the bolt A into the pre-drilled holes on
⑥ Panel.



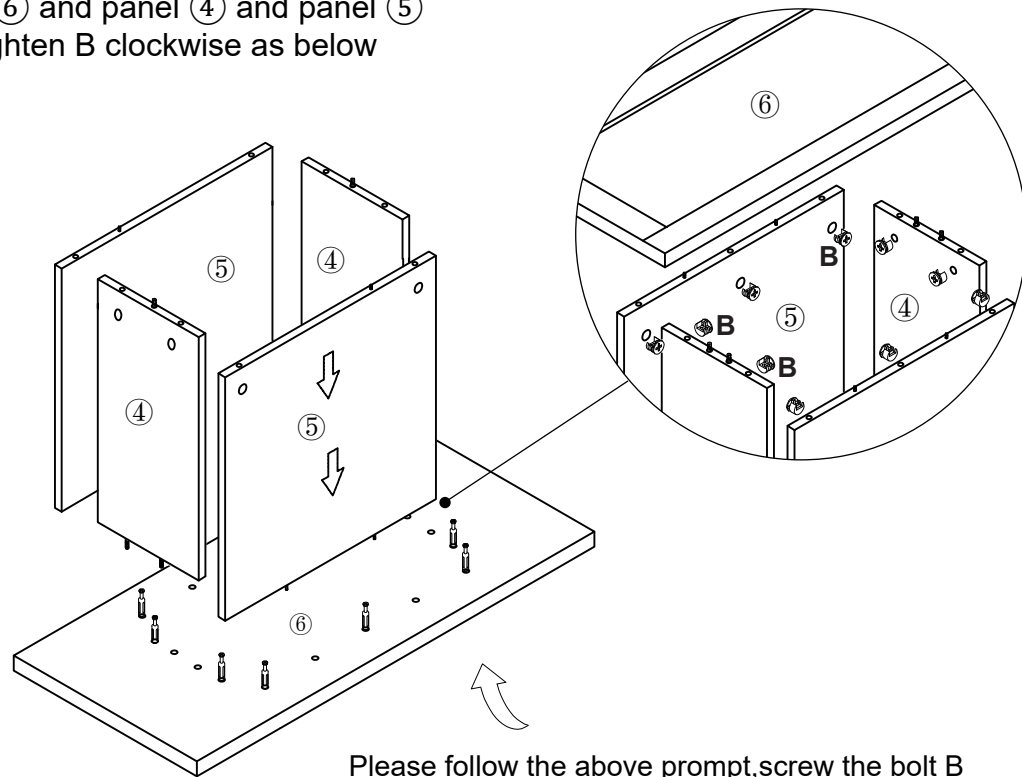
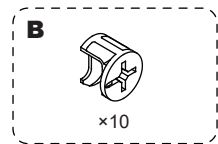
| Step2

Screw the bolt C into the side holes on panel ④
and panel ⑤.



| Step3

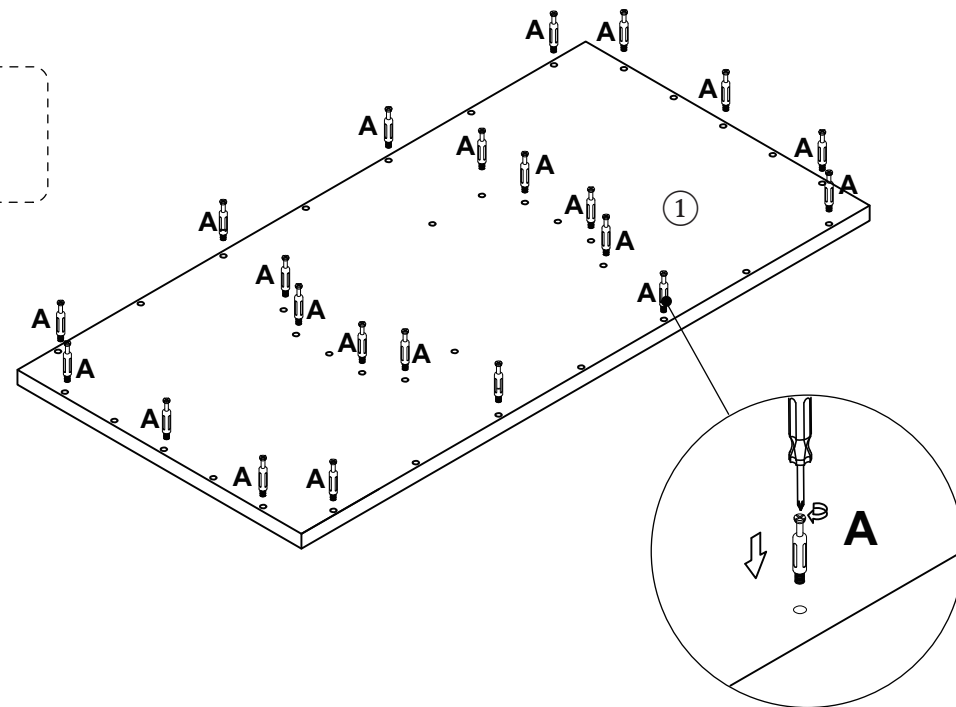
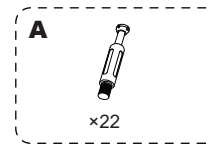
Connect the panel ⑥ and panel ④ and panel ⑤ with bolt B. Then tighten B clockwise as below shown:



Please follow the above prompt,screw the bolt B from inside of box.

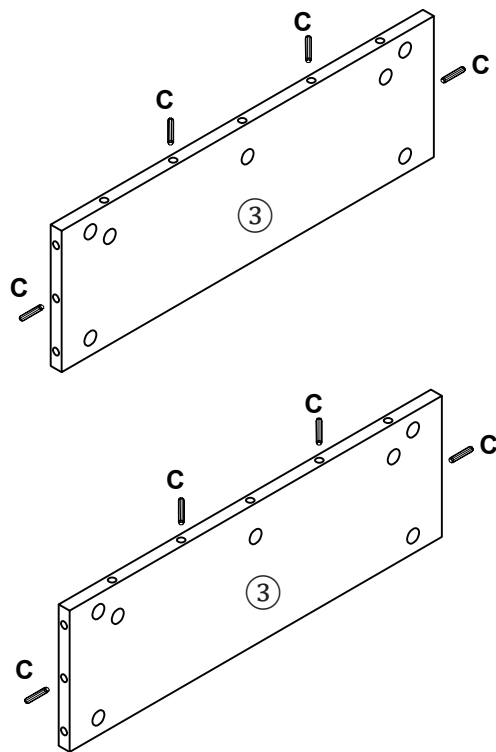
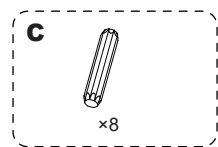
| Step4

Screw the bolt A into the pre-drilled holes on
① Panel



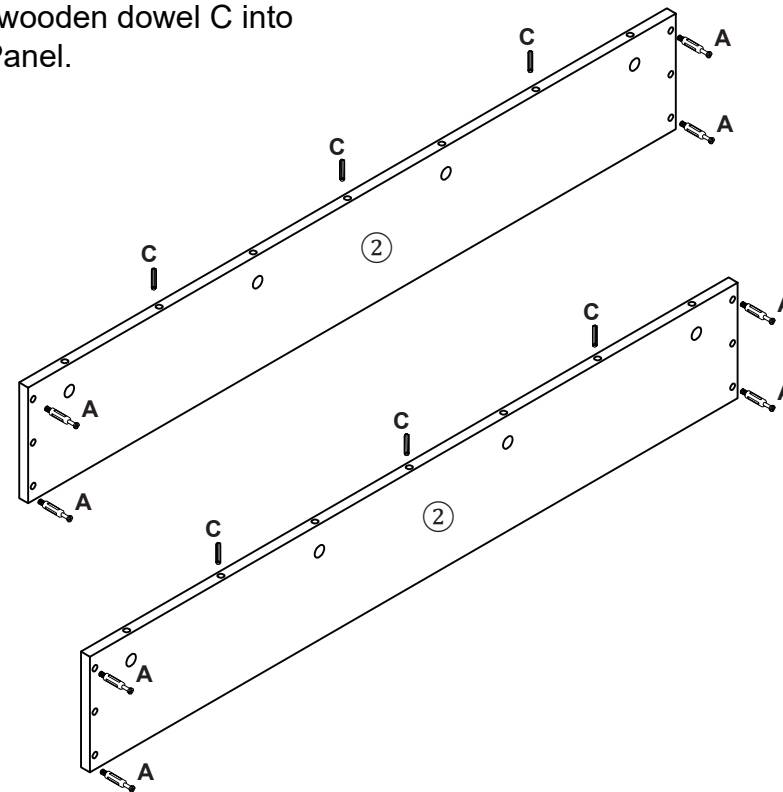
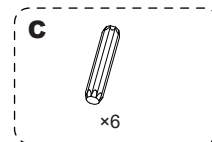
| Step5

Screw the wooden dowel C into the side holes on ③ Panel



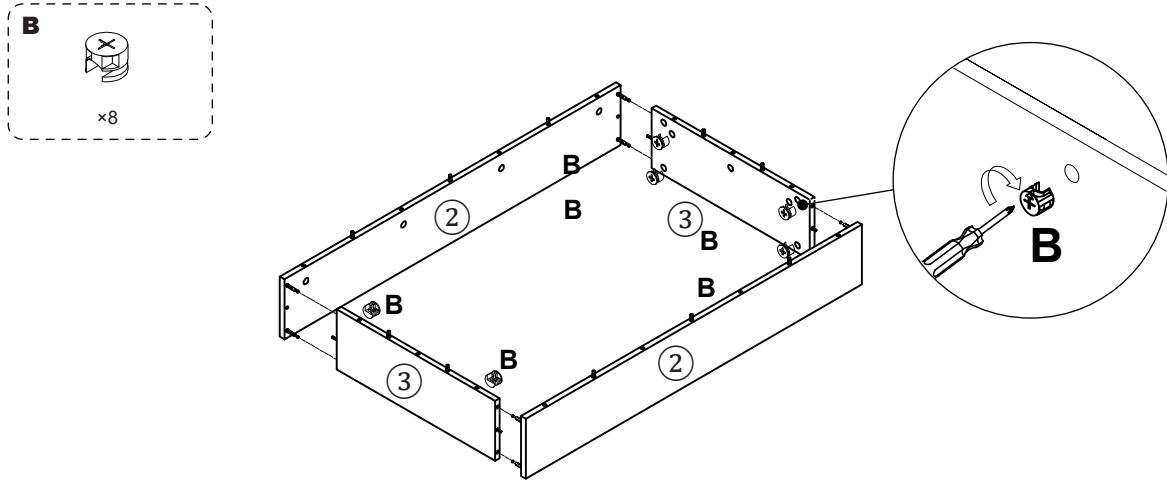
| Step6

Screw the bolt A into the pre-drilled holes on ② Panel; Screw the wooden dowel C into the side holes on ② Panel.



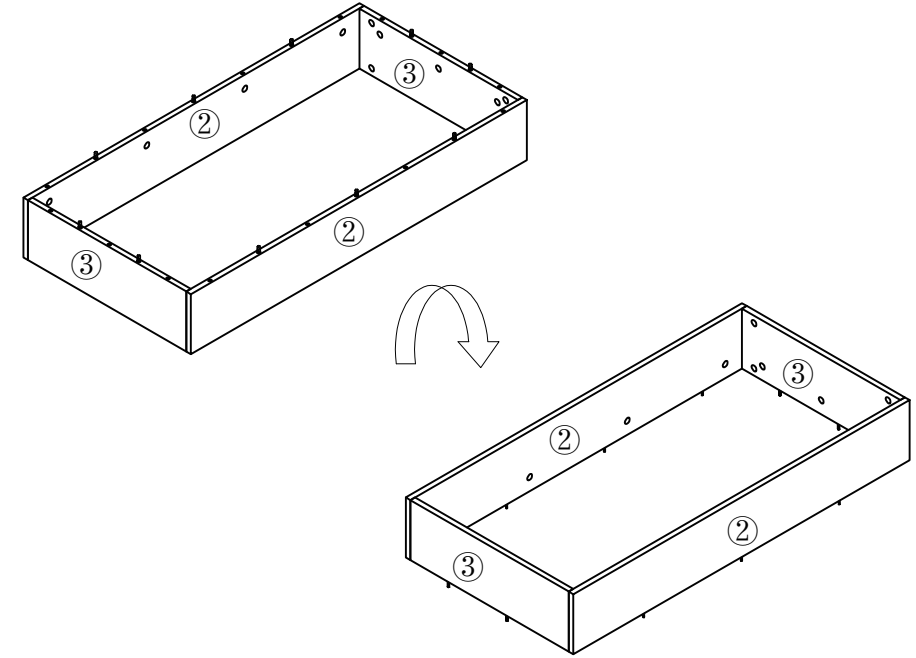
| Step7

Connect the ② Panel and ③ Panel with B
(3 in 1 locking) Then tighten them at holes
position clockwise,As below shown:



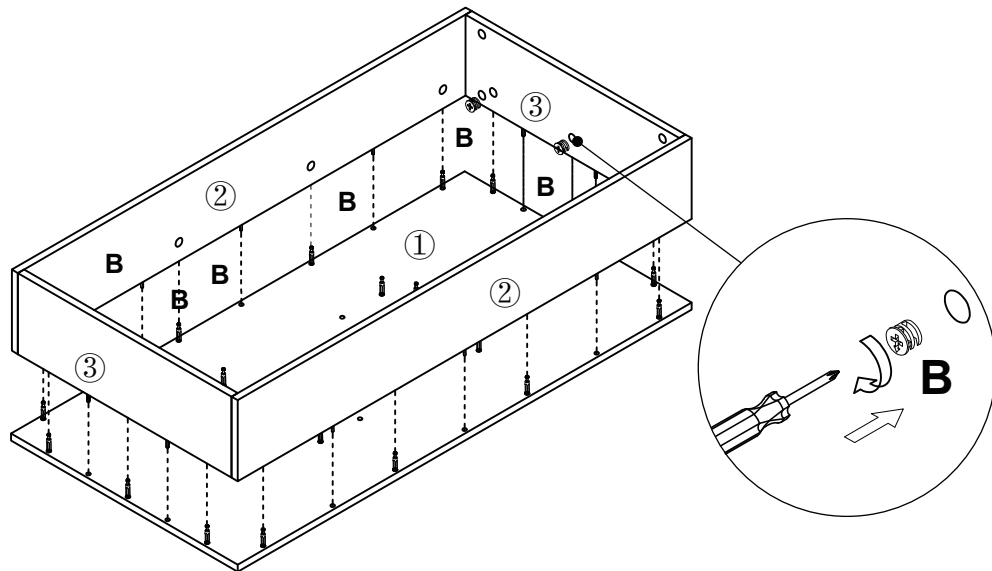
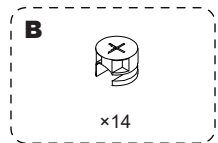
| Step8

Turn it over as below shown(It means that all Wooden
dowel C should be facing down).



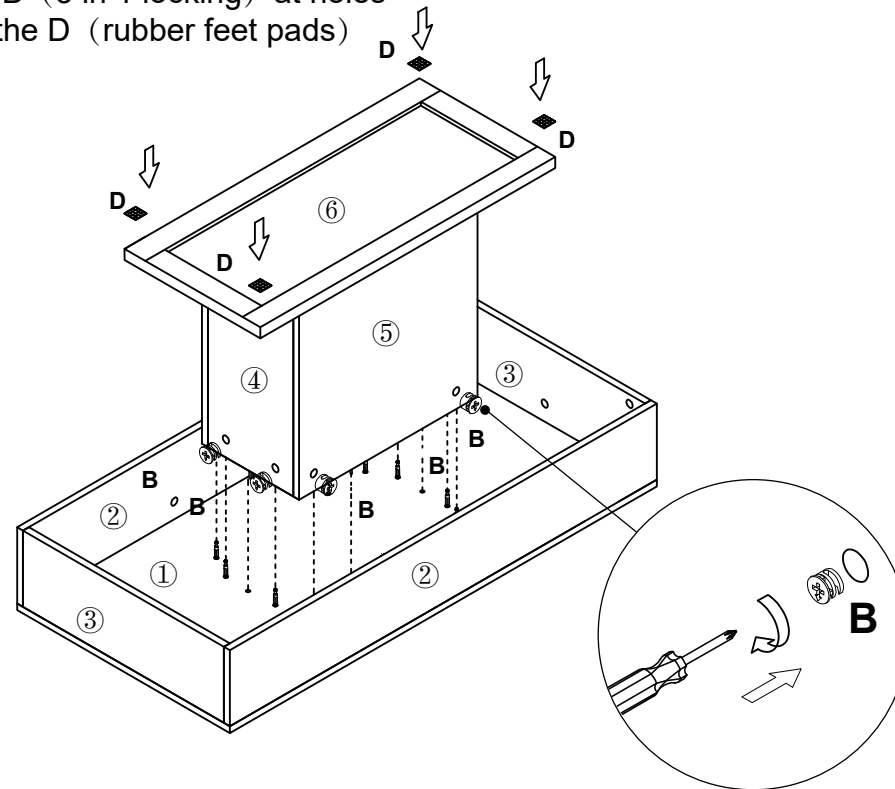
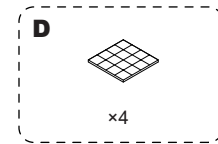
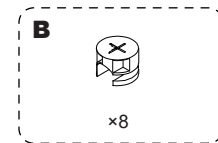
| Step9

Connect the ② and ③ Panel with ① Panel.
Then tighten all panels with B (3 in 1 locking)
at holes position clockwise.As below shown:



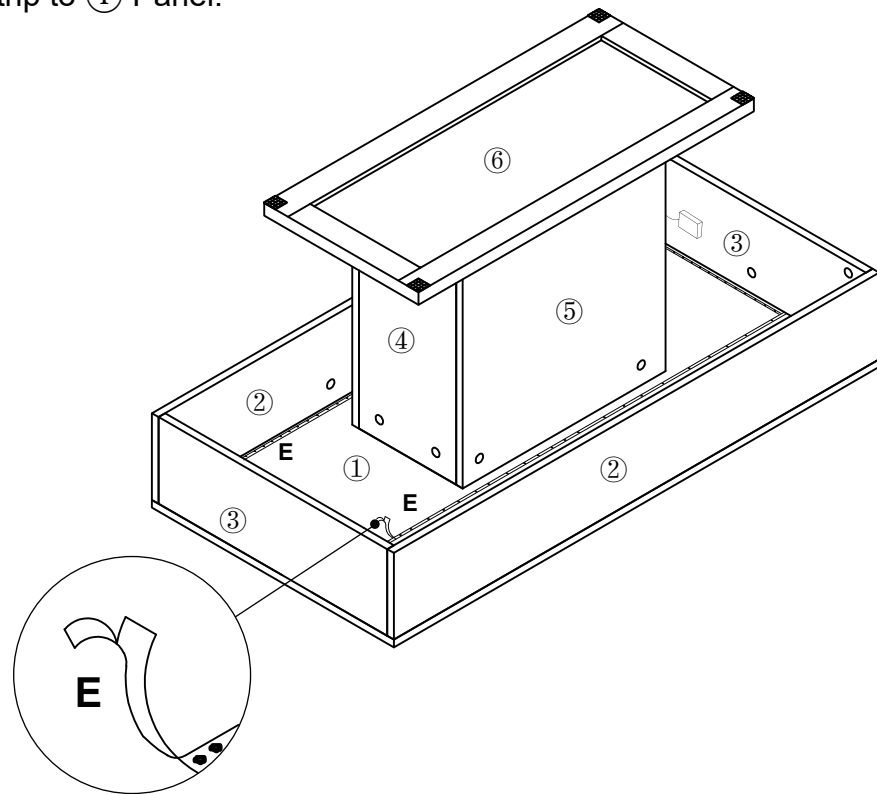
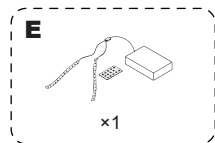
| Step10

Connect the bottom part and the top part with A,
Tighten bottom part with B (3 in 1 locking) at holes
position clockwise.Stick the D (rubber feet pads)
to the coner of ⑥ Panel.

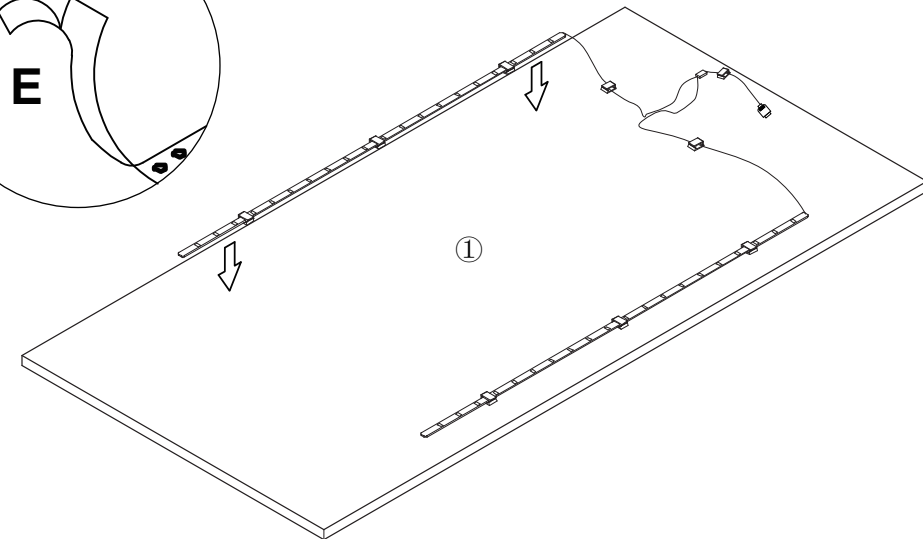
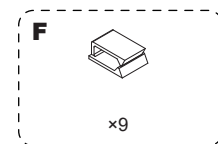
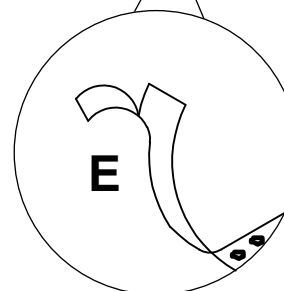
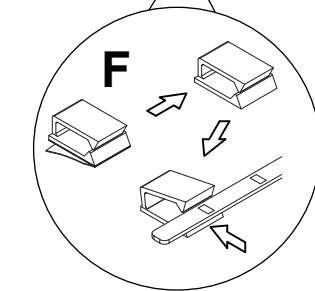
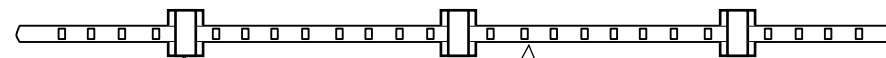


Step 11

Stick the LED Strip to ① Panel.

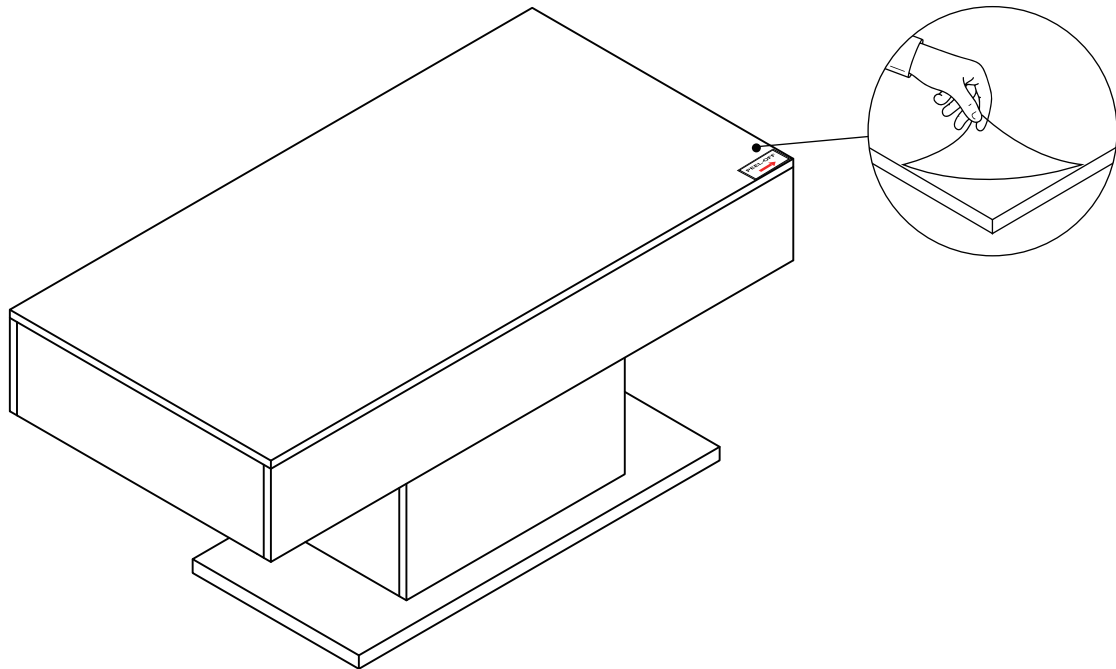


Before installation, please remove the adhesive protective film of the LED lamp belt, insert the buckle into the lamp belt, and follow the instructions to attach the lamp belt

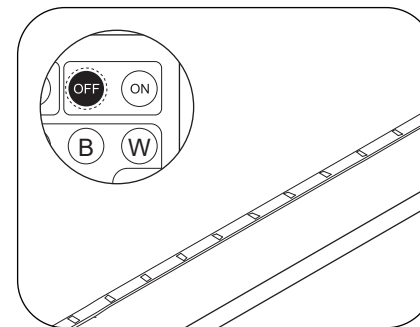
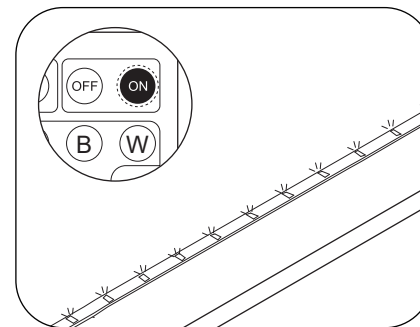
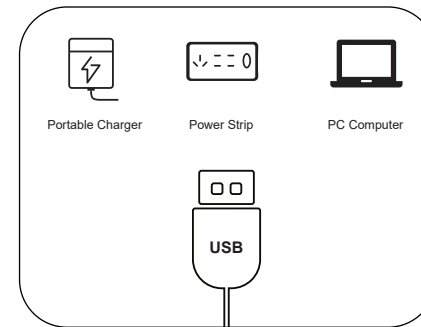
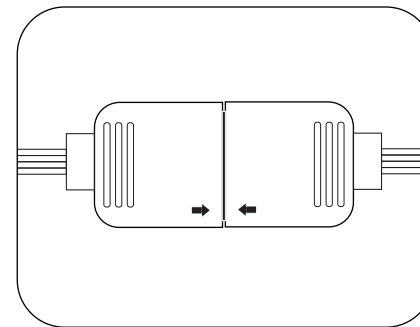
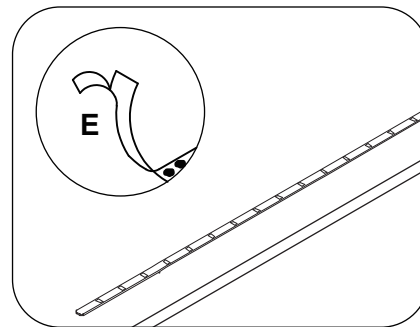


Step 12

Remove the protective film.



Installation Diagram of Light Belt



About

break the traditional monotonous furniture style and give it new meaning through LED lights, which are both functional and beautiful. Our professional team provides you with innovative and customized design and attentive service, aiming to meet our customer's specific needs around the world, bringing you high quality furniture and colorful and meaningful life. Since now, we have expanded into the production of a wide variety of LED lighted furniture from living room, bedroom to bathroom.

LIMITED WARRANTY

Our furniture team would like to improve customer service quality and make your experience smooth.

Return Policy: We accept returns within 30 days without any significant reason. After we receive the returned item, we will check it and make sure that it is not damaged, then we will process the refund. For more details, please check the above terms of RETURN/DAMAGE CLAIM INSTRUCTIONS.

Any damages, defects and parts missing during installation, please contact us from the very beginning. Replacement, exchange and refund will be arranged ASAP except for personal reasons.

The exceptions or exclusions to this warranty are as follows:

1. We do not accept claims outside of a limited period.
2. This warranty does not include the products purchased by mistake.
3. Any damages, broken parts, missing parts, we will repair or replace them without charging you any cost within a reasonable period. We reserve the right to require damaged parts to be returned to us upon our request.

If you have any questions concerning this warranty, please get in touch with the Customer Service department. Be prepared to provide your name, address, daytime phone number, the product's model and purchase order number, the date of purchase, and the store name. All the information you provided will help us track your order quickly and solve your problem in the shortest time. This warranty gives you specific rights, and you still possess other rights that vary in each case.