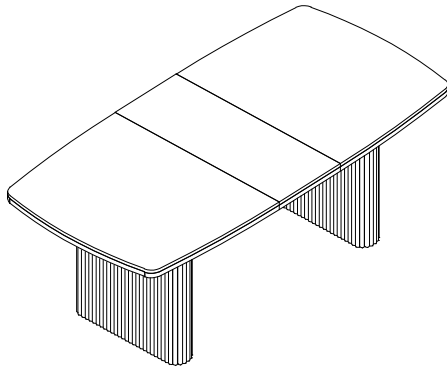
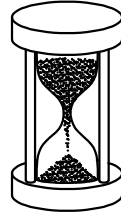


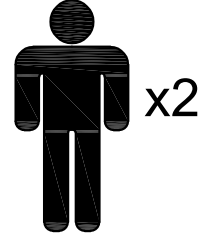
5868-01 REBA RECTANGULAR DINING TABLE
Packed in 2 cartons



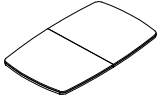

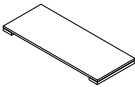

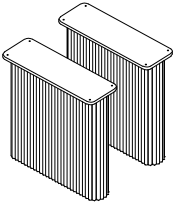


ASSEMBLY INSTRUCTIONS



15 MIN

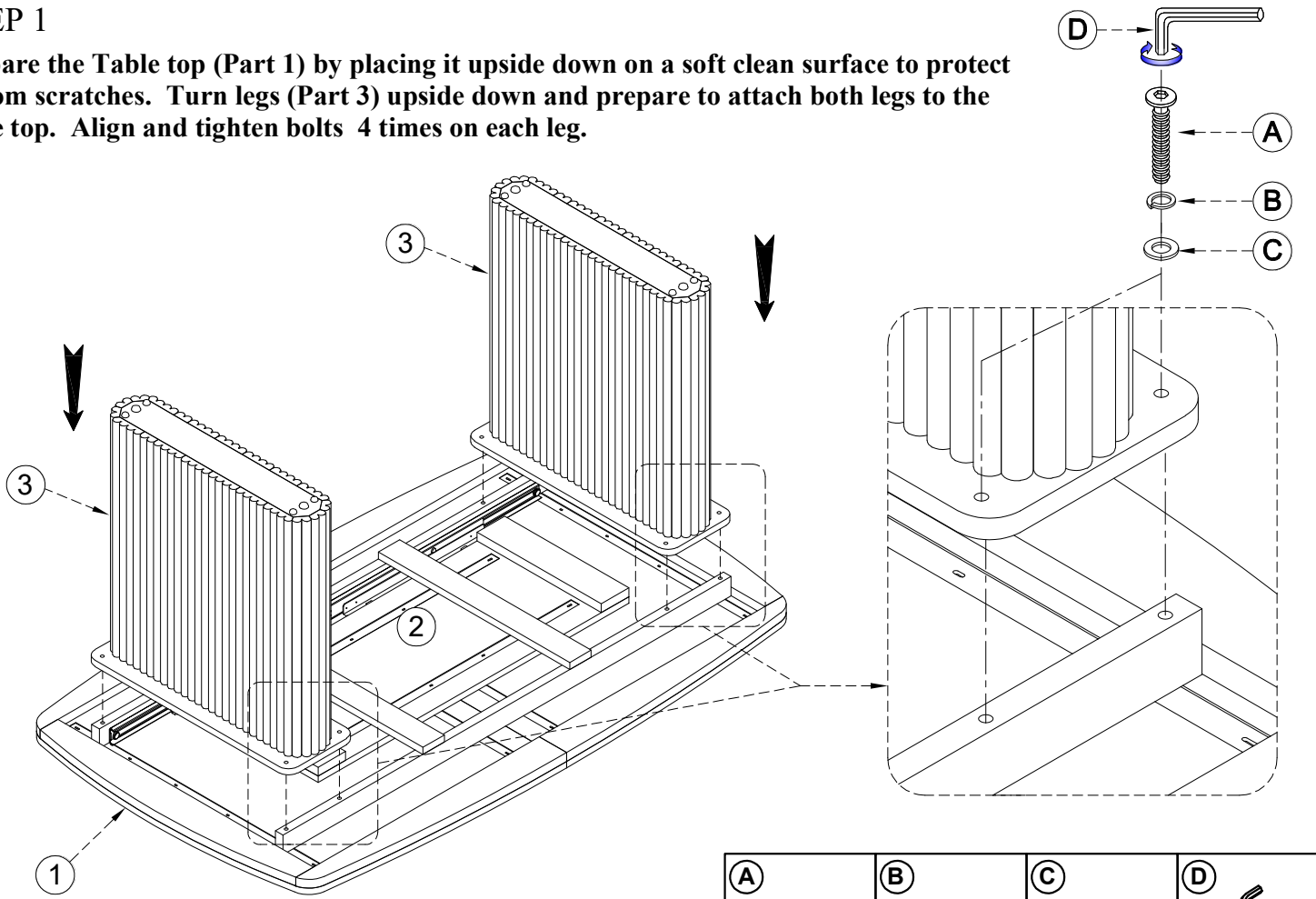


TOOLS REQUIRED
(Allen Key provided)

CARTON	ITEM	PART		HARDWARE	
1	5868-01T	①	TABLE TOP x 1 PC 	Ⓐ	M8 x 40 mm: 8 pcs 
		②	EXTENSION LEAF x 1PC 	Ⓑ	Ø8 x Ø13 x 1.2: 8 pcs 
2	5868-01B	③	LEGS x 2 PCS 	Ⓒ	Ø8 x Ø19 x 2: 8 pcs 
				Ⓓ	4mm x 50: 1 pc Allen key 

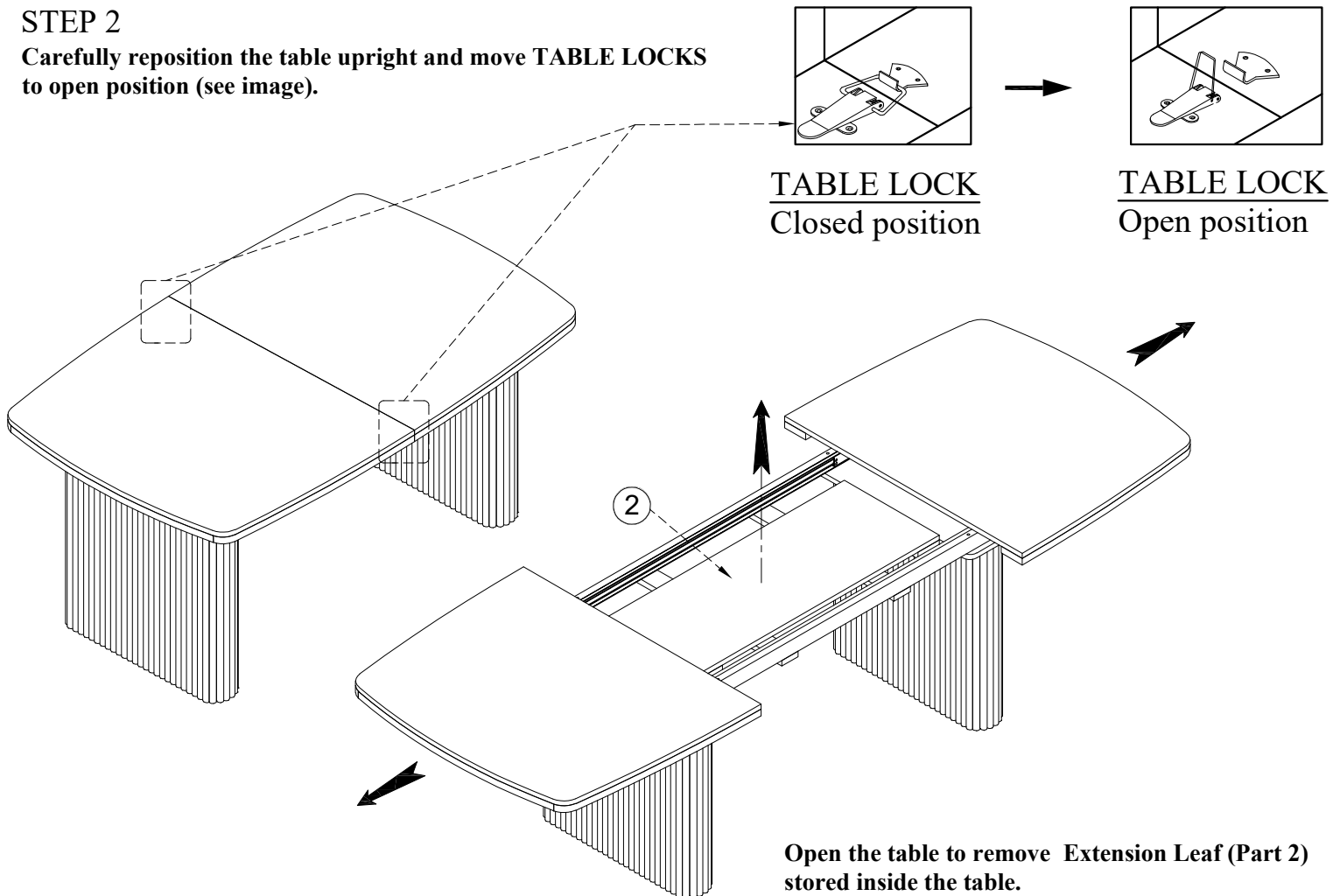
STEP 1

Prepare the Table top (Part 1) by placing it upside down on a soft clean surface to protect it from scratches. Turn legs (Part 3) upside down and prepare to attach both legs to the table top. Align and tighten bolts 4 times on each leg.



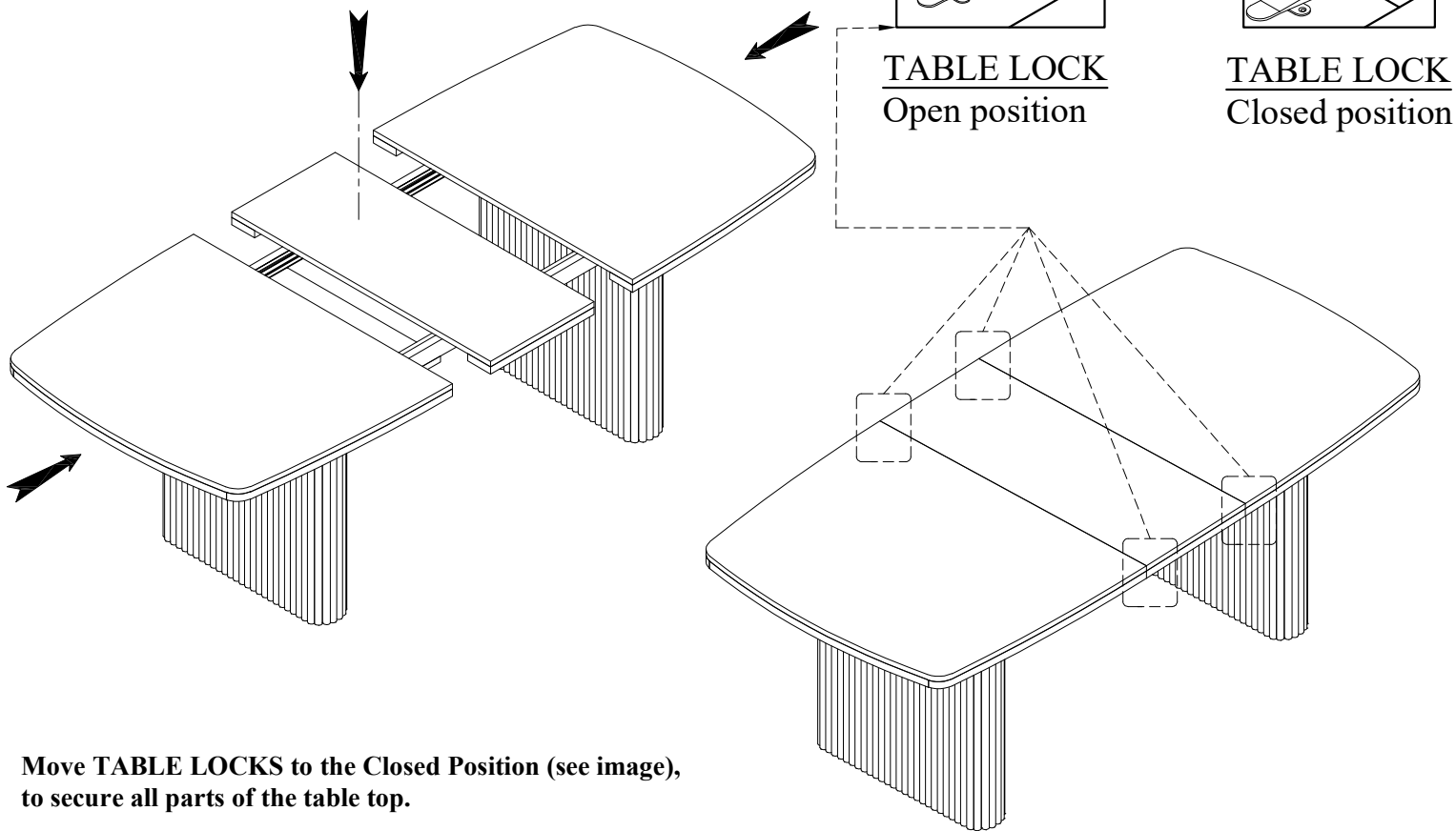
STEP 2

Carefully reposition the table upright and move TABLE LOCKS to open position (see image).

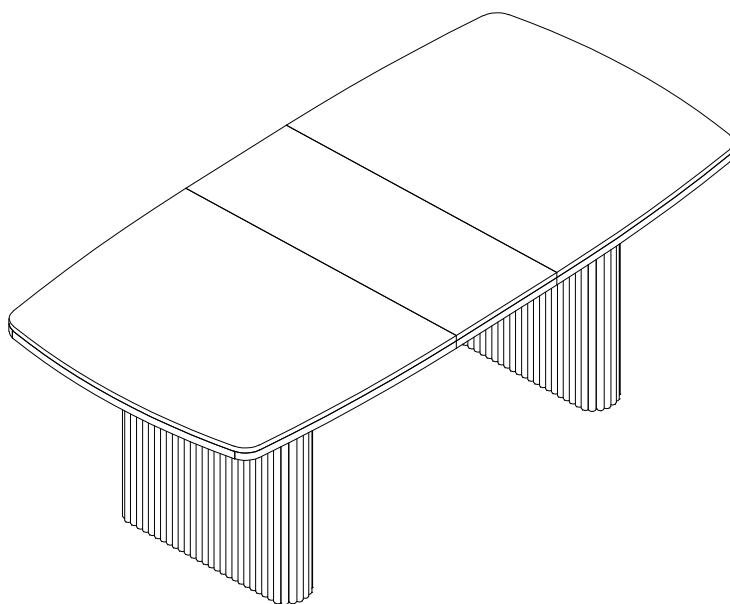


STEP 3

Reposition the Extension Leaf at the center of the table and align with the rest of the table. Move both parts of the table (left and right) close to the Extension Leaf and make sure there are no gaps.



ASSEMBLY IS COMPLETE



CAUTION ! : REQUIRES TWO ADULTS TO FLIP AND TURN TABLE UPRIGHT AFTER ASSEMBLY IS FINISHED.