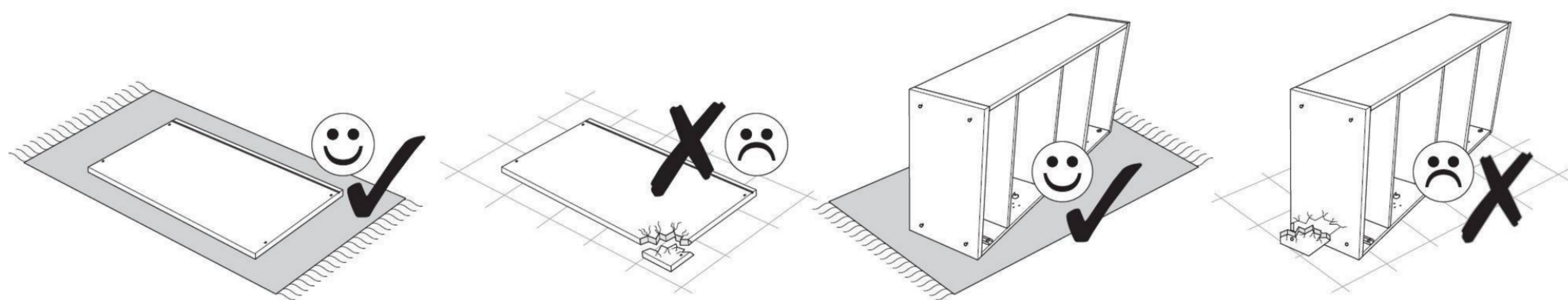
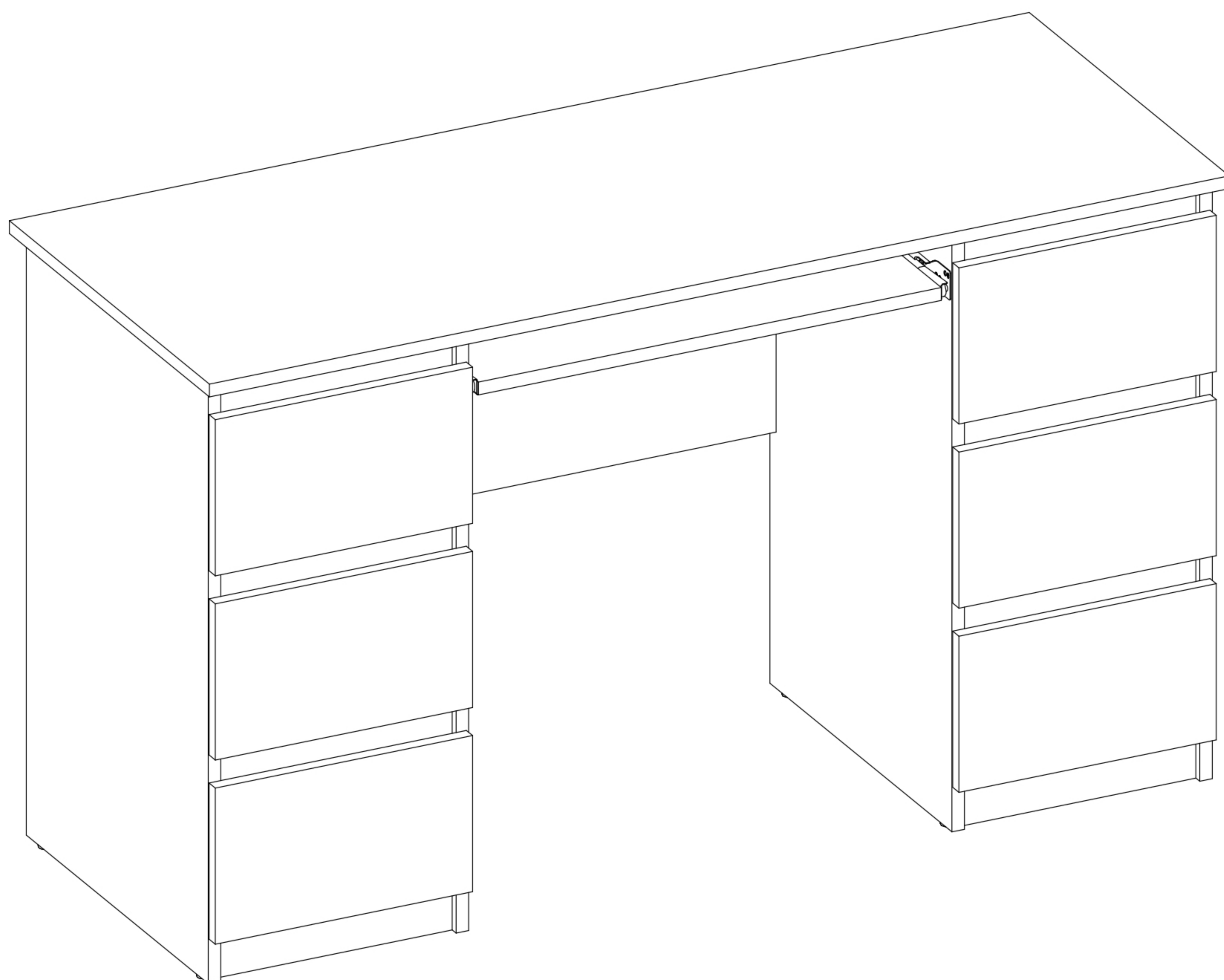
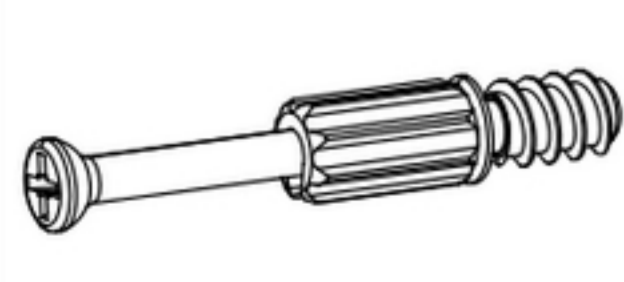
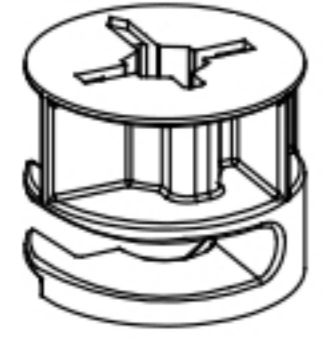
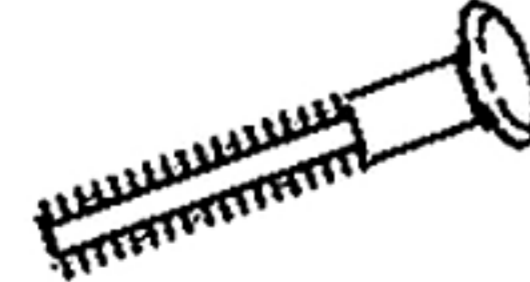

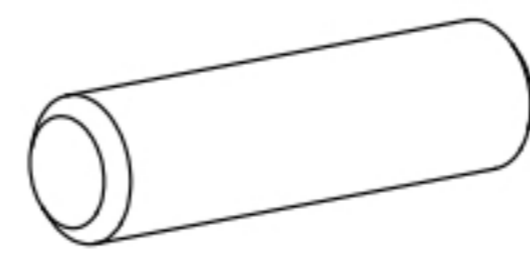
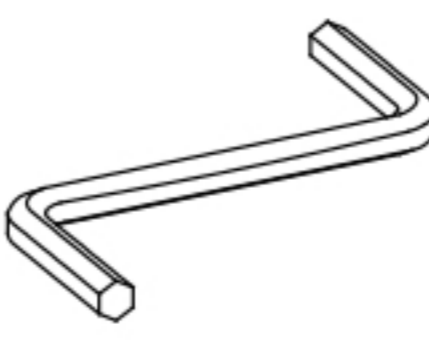



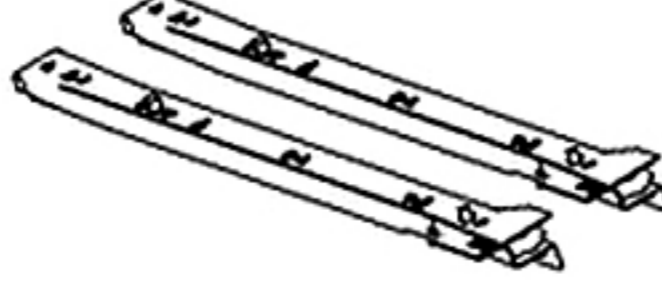
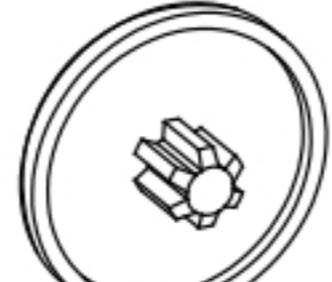
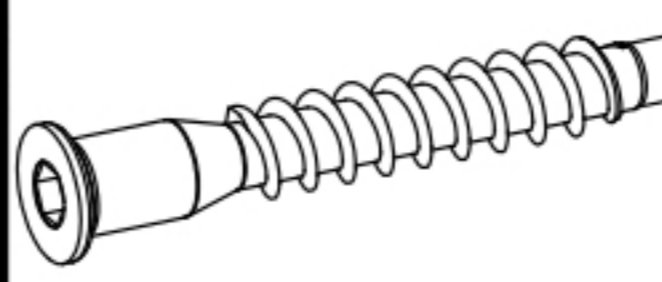
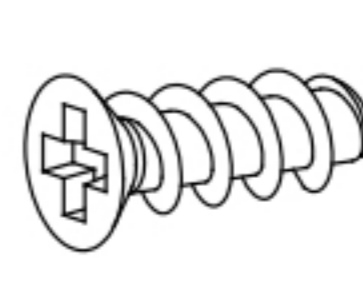
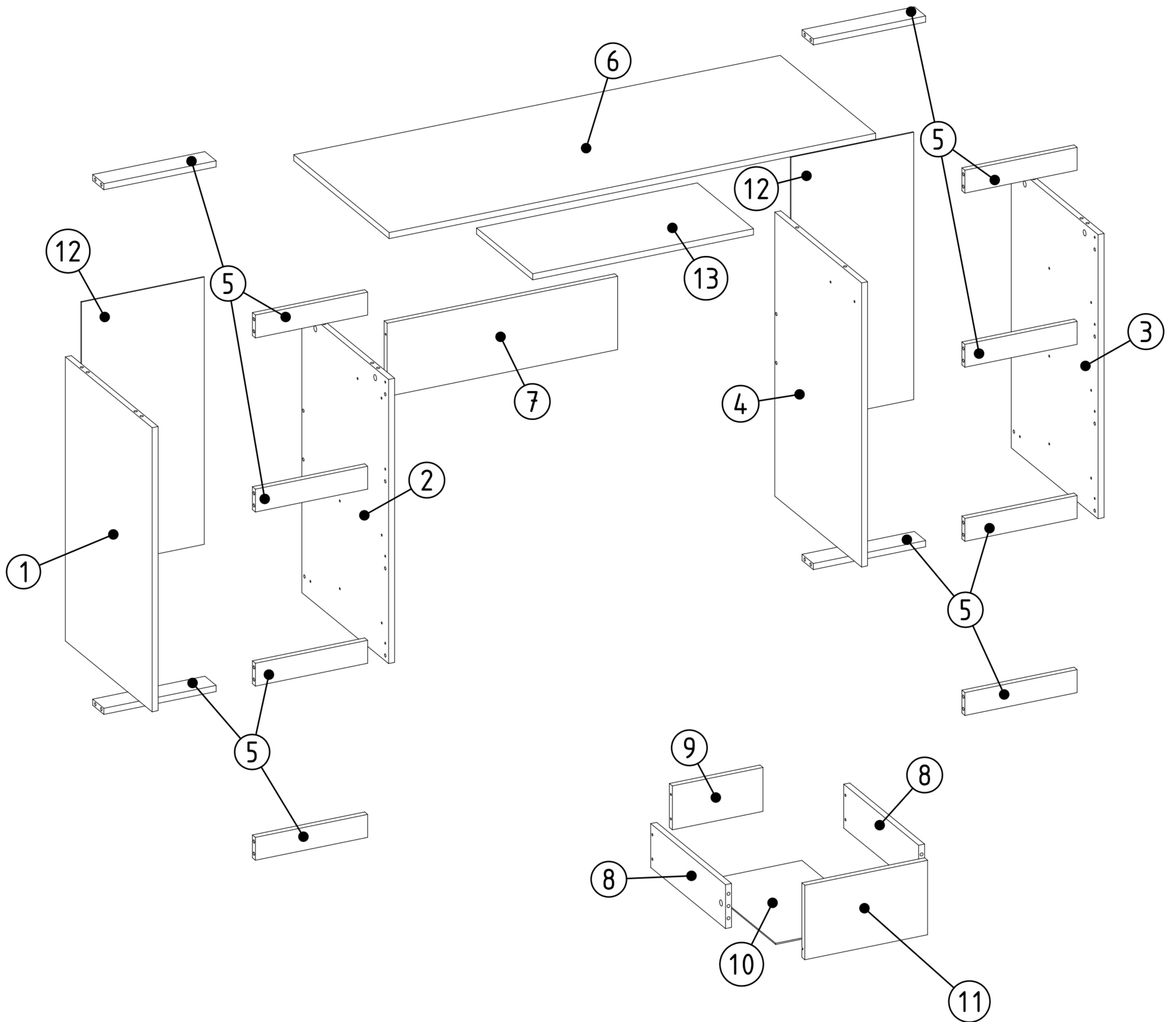


22/09/2020

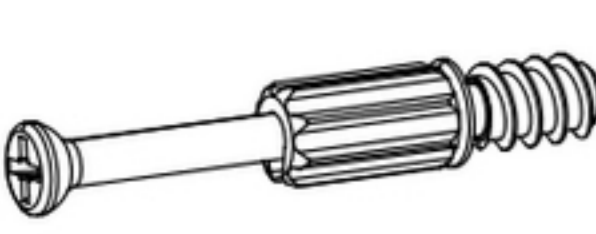

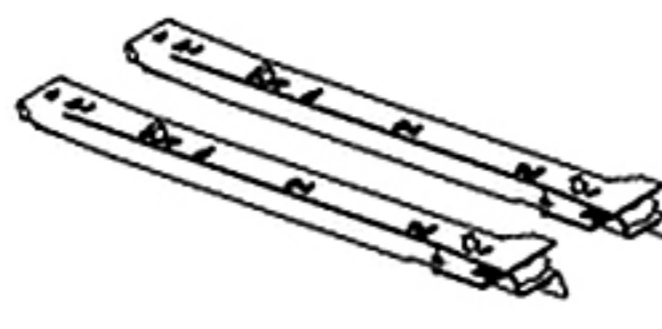





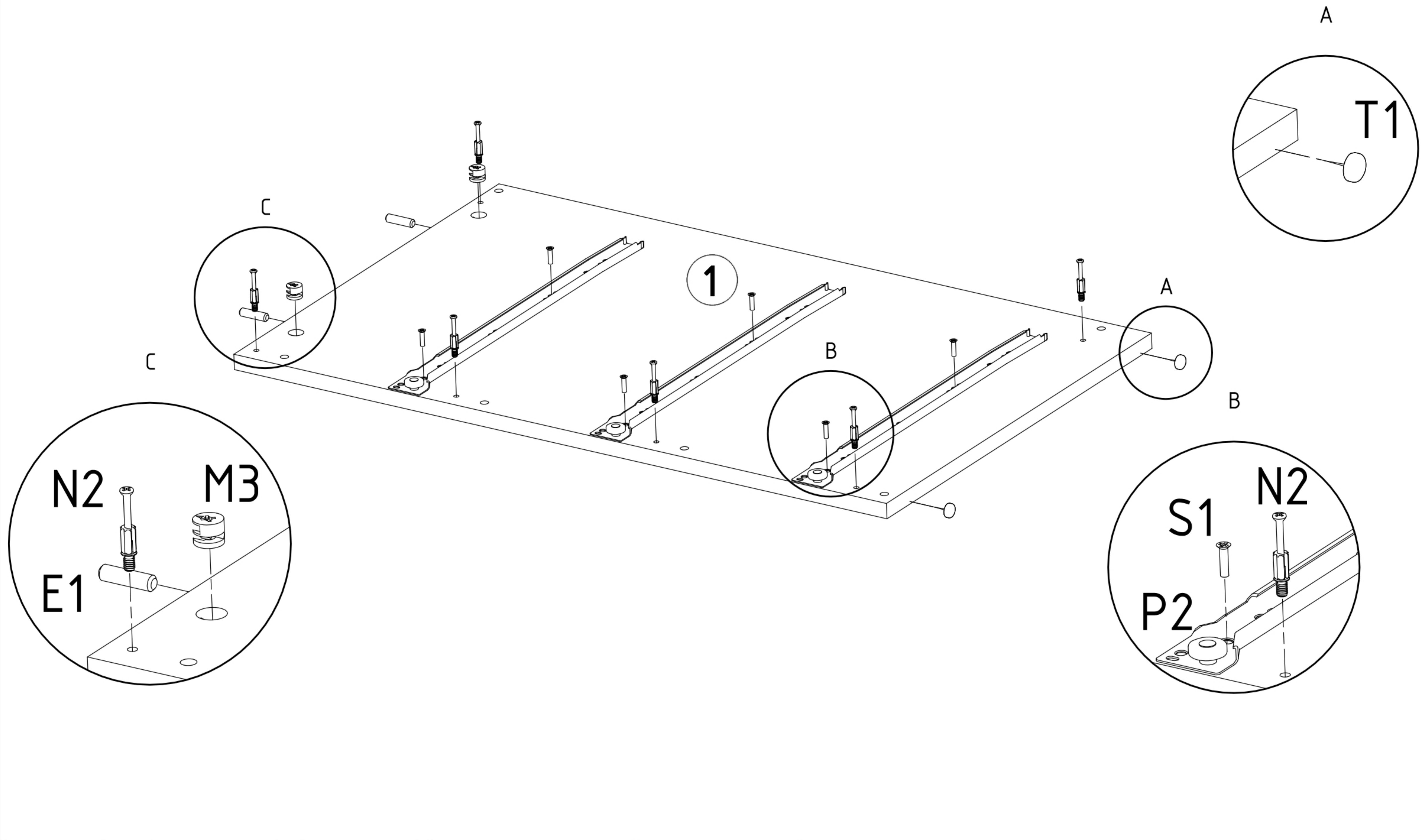
<p>N2</p>  <p>L=20,3 x44</p>	<p>M3</p>  <p>x44</p>	<p>E4</p>  <p>x24</p>	<p>S1</p>  <p>3,5x16 x28</p>	<p>E1</p>  <p>8x30 x56</p>	<p>K1</p>  <p>x1</p>	
<p>T1</p>  <p>x8</p>	<p>Z2</p>  <p>x100</p>	<p>P3</p>  <p>L=300 x1</p>	<p>P2</p>  <p>L=400 x6</p>	<p>M2</p>  <p>x12</p>	<p>F2</p>  <p>x4</p>	<p>S15</p>  <p>6x8 x28</p>

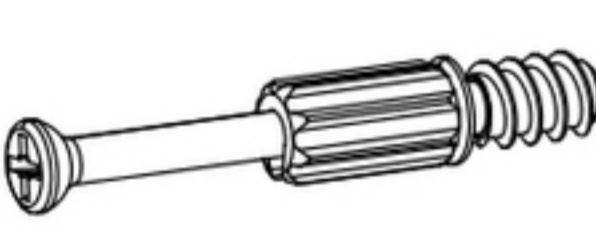

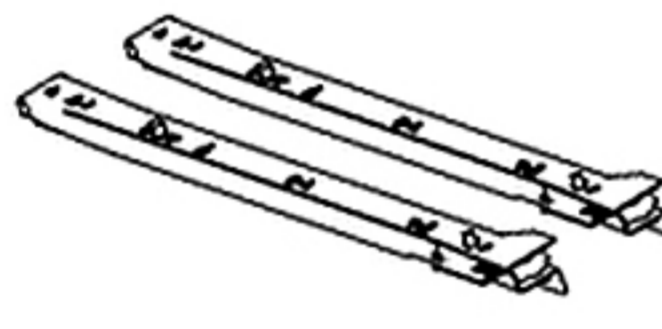





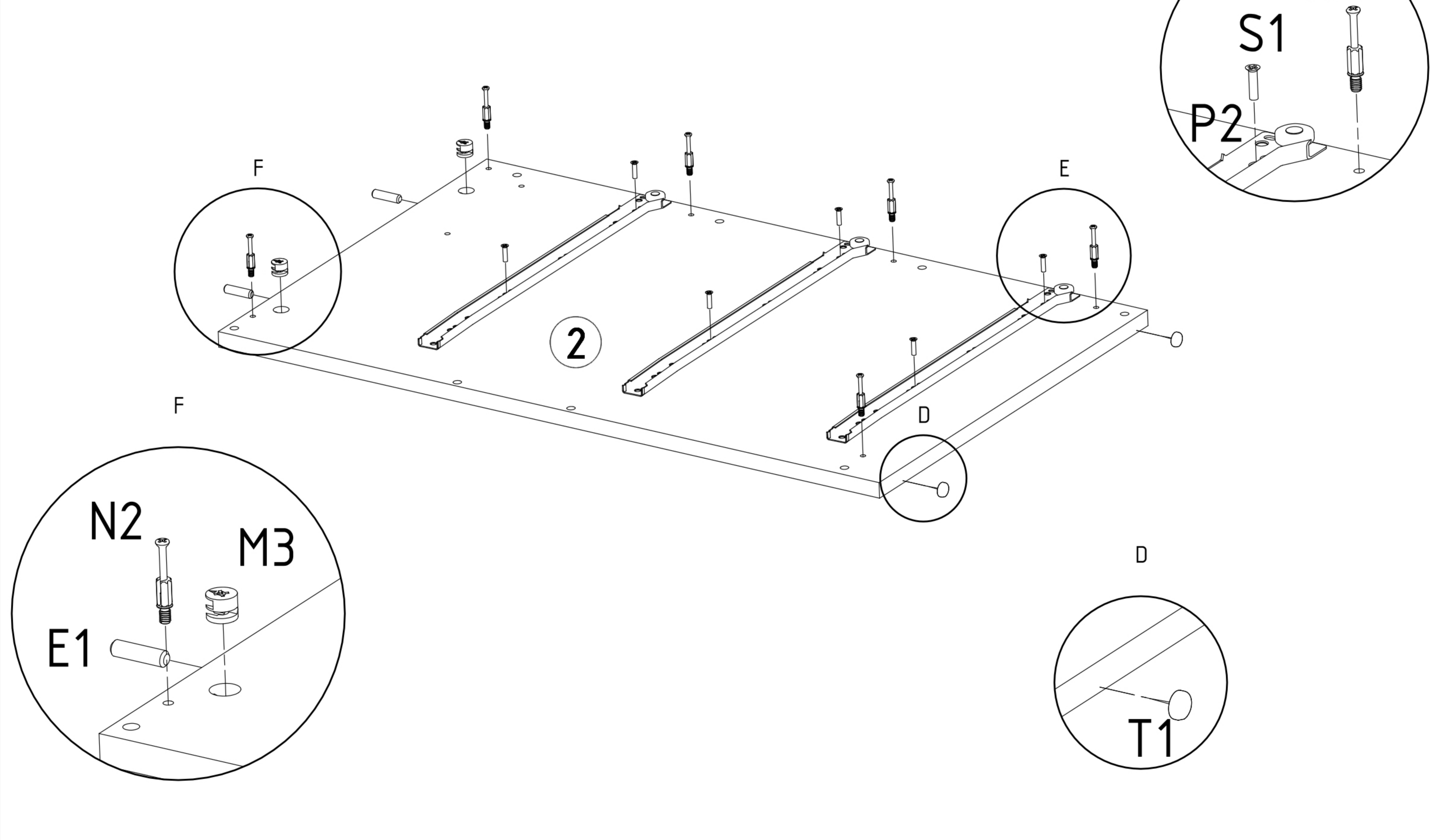
1	x	1
2	x	1
3	x	1
4	x	1
5	x	12
6	x	1
7	x	1

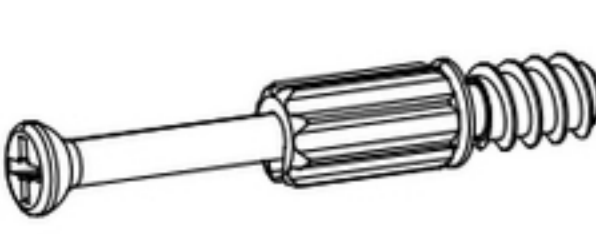

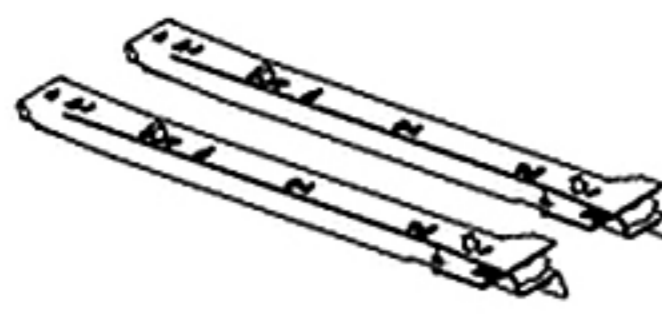



8	x	12
9	x	6
10	x	6
11	x	6
12	x	2
13	x	1

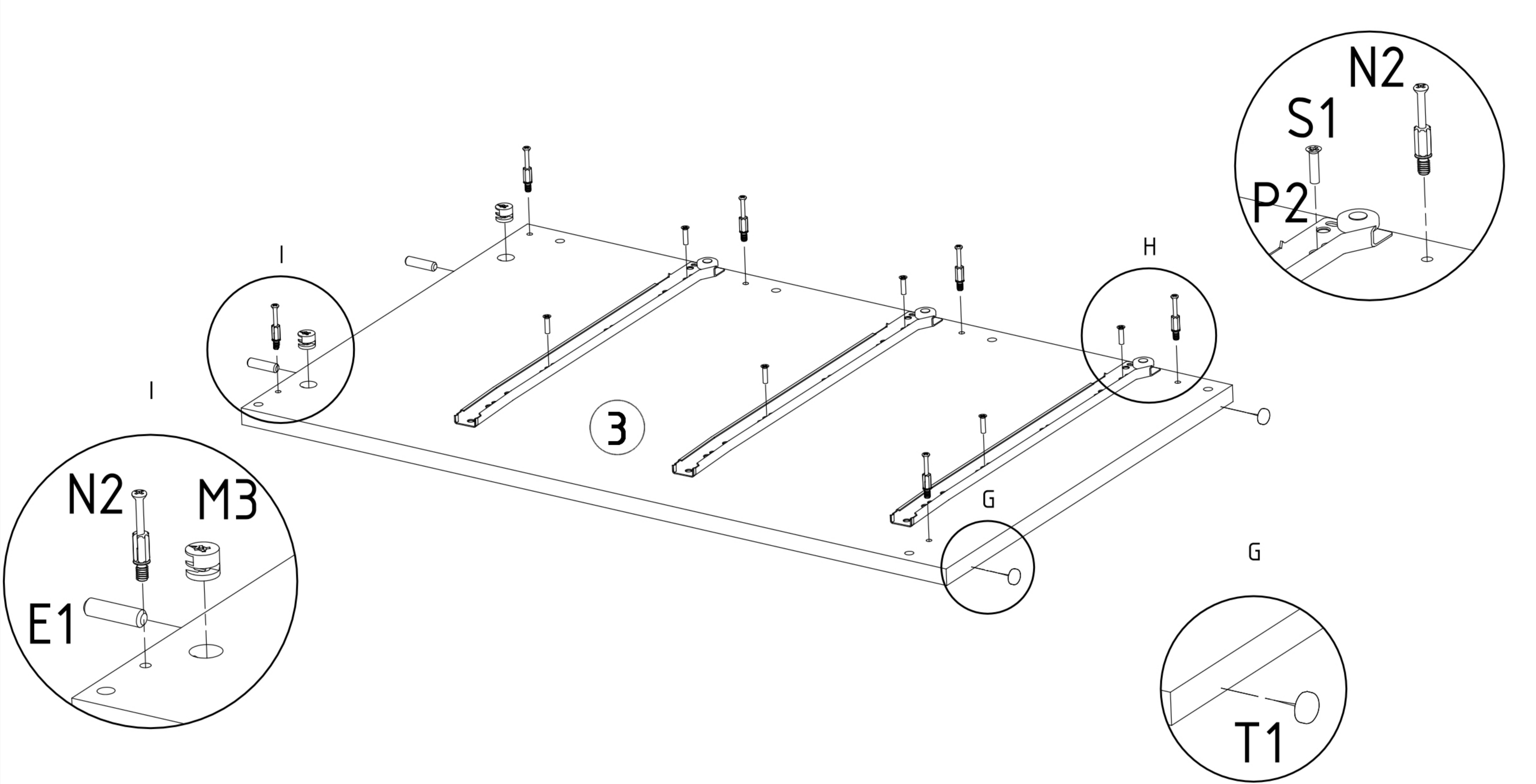
N2  L=20,3 x6	M3  x2	P2  L=400 x3	S15  6x8 x6	E1  8x30 x2	T1  x2
--	--	--	---	--	--

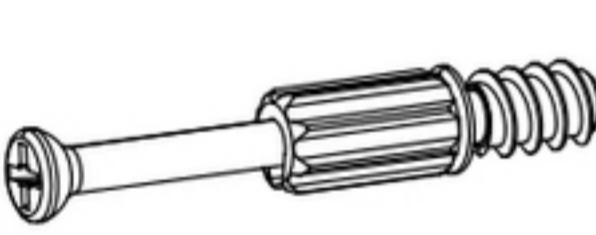

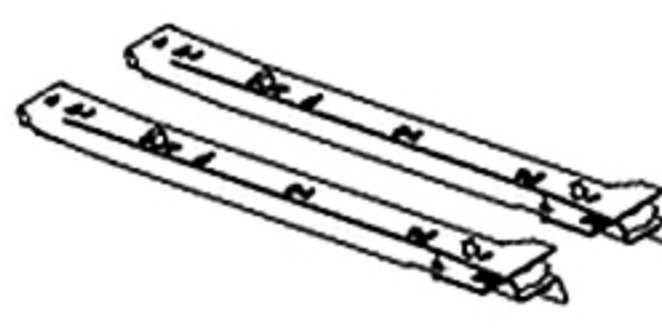





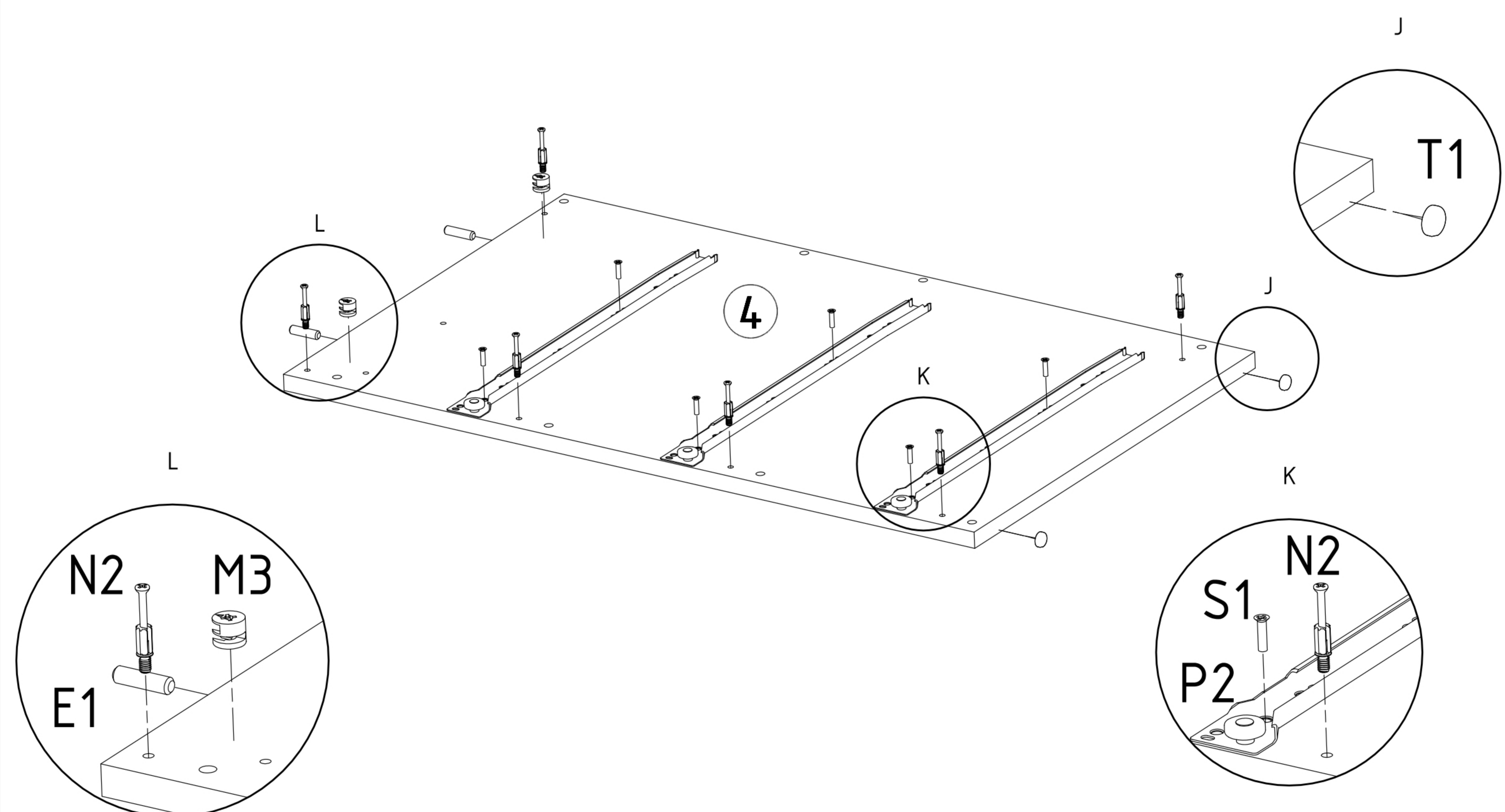
N2  L=20,3 x6	M3  x2	P2  L=400 x3	S15  6x8 x6	E1  8x30 x2	T1  x2
--	--	--	---	--	--


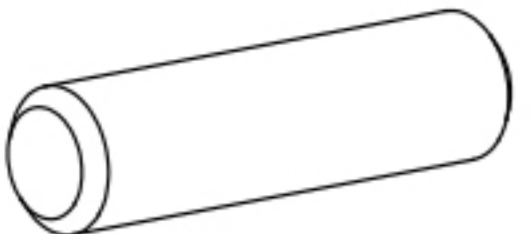


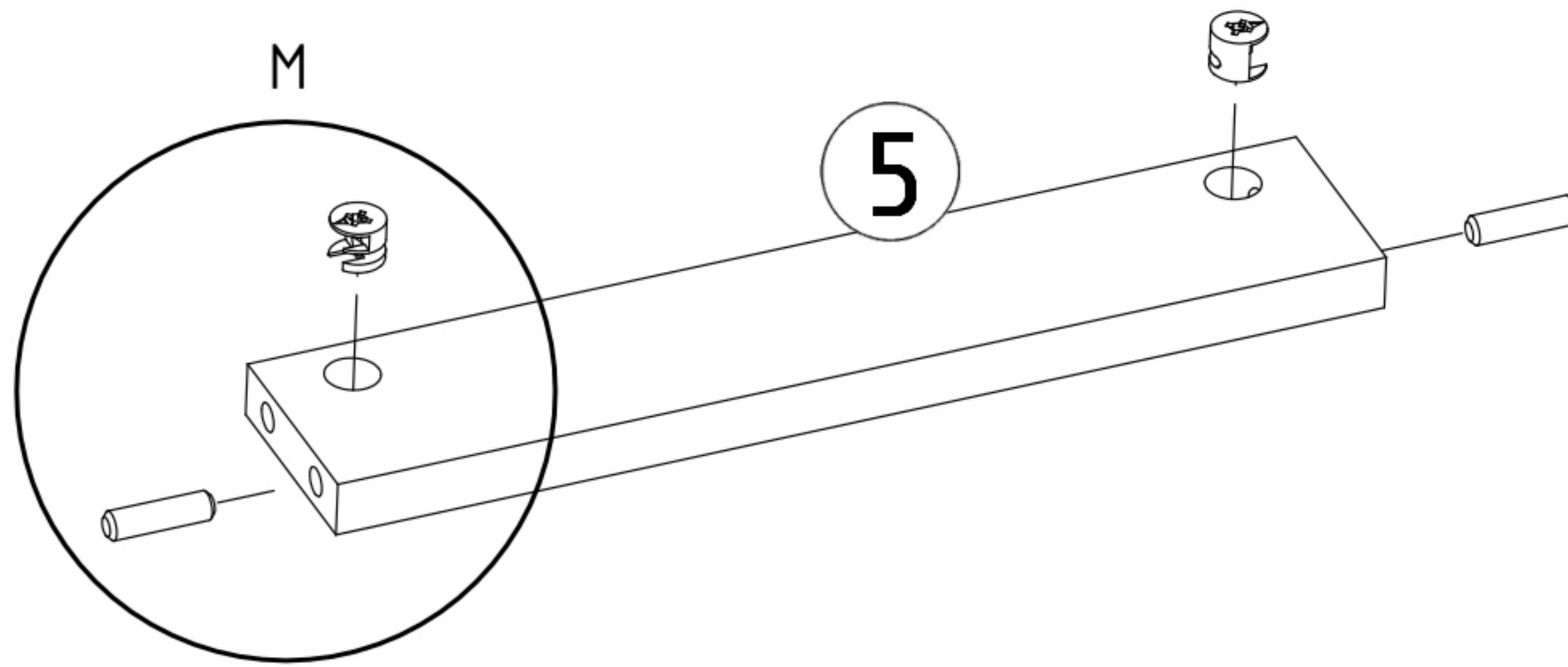
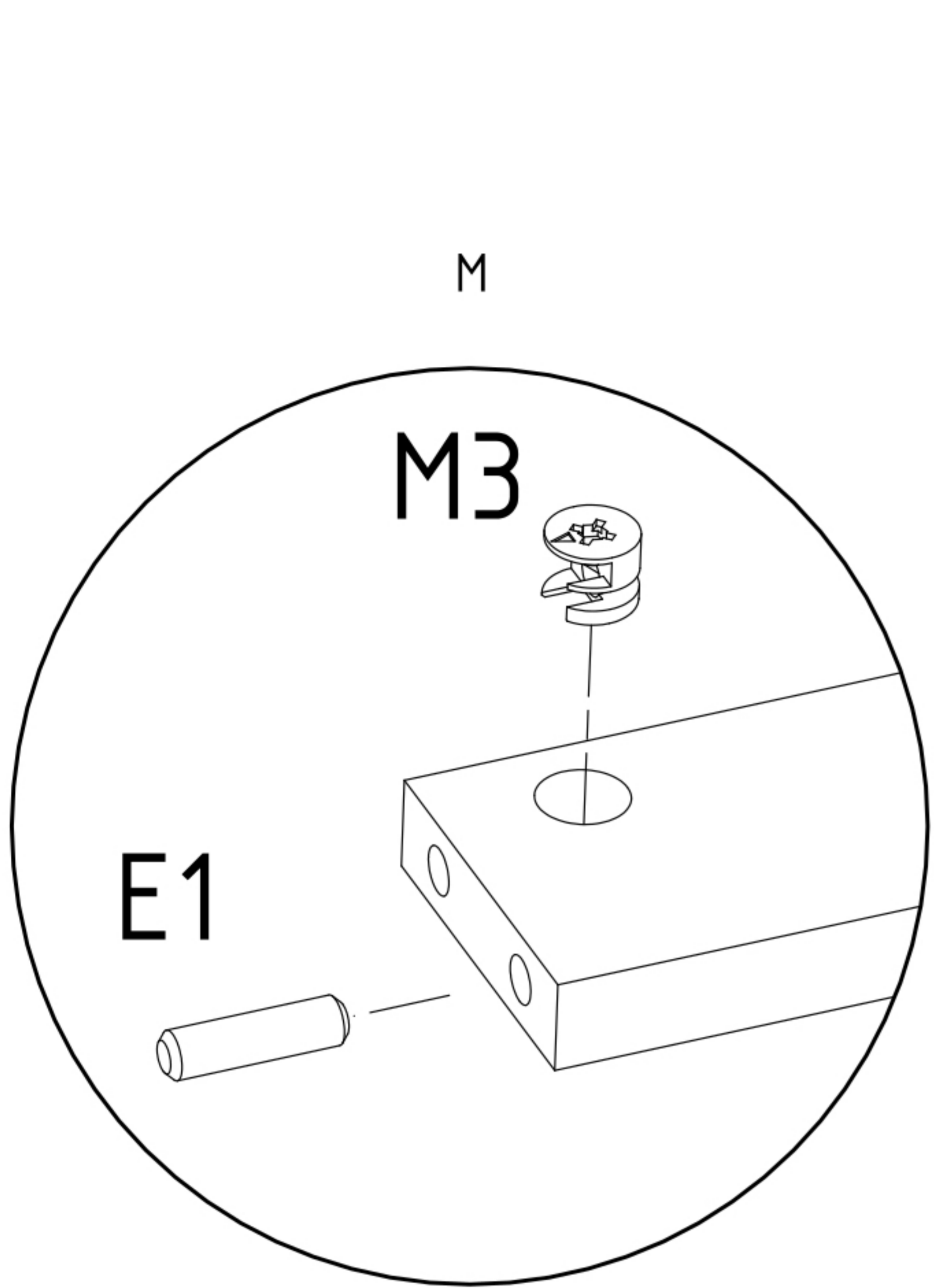
N2  L=20,3 x6	M3  x2	P2  L=400 x3	S15  6x8 x6	E1  8x30 x2	T1  x2
--	--	--	---	--	--



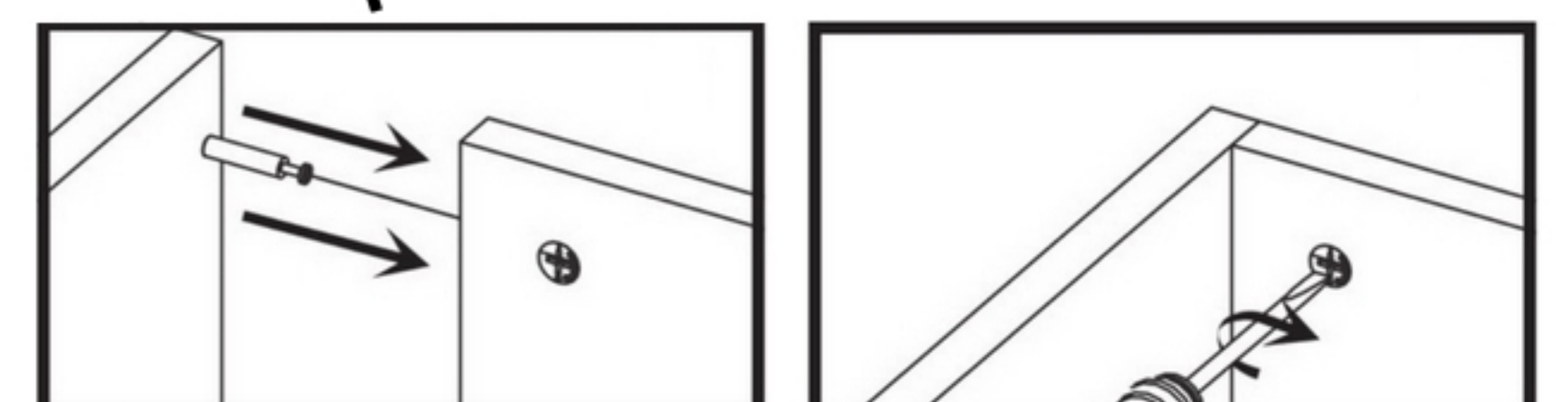
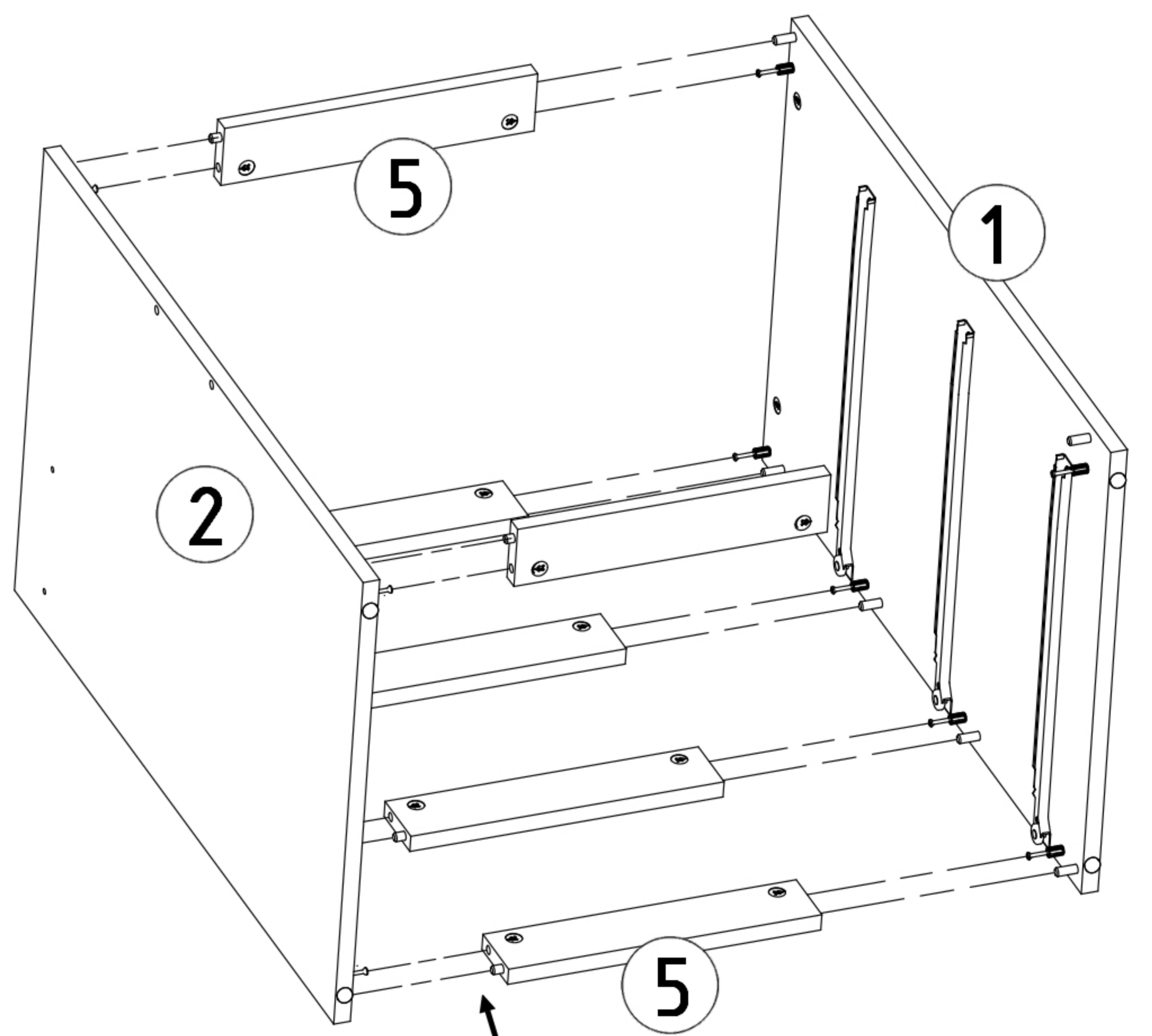
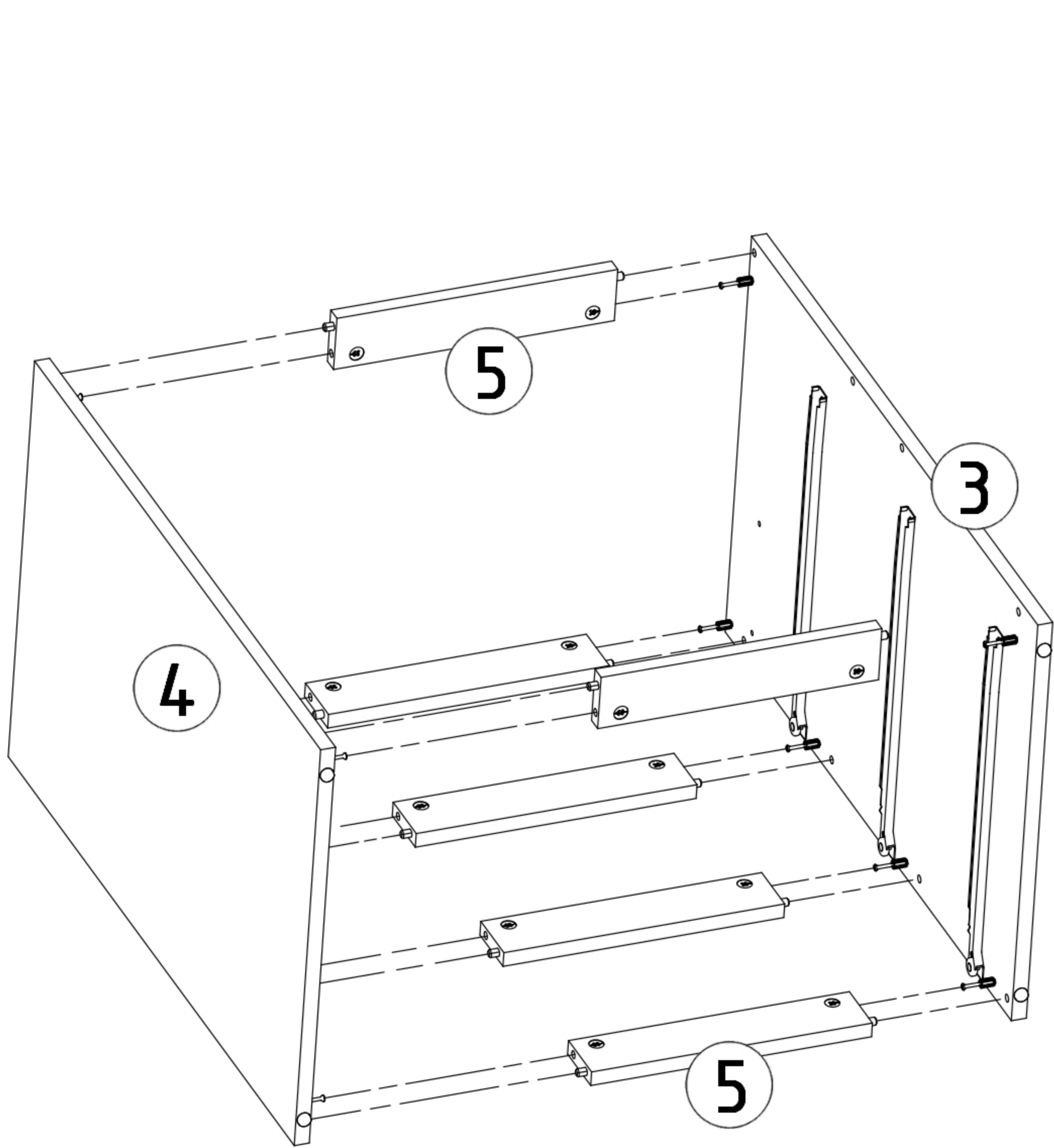
N2  L=20,3 x6	M3  x2	P2  L=400 x3	S15  6x8 x6	E1  8x30 x2	T1  x2
--	--	--	---	--	--

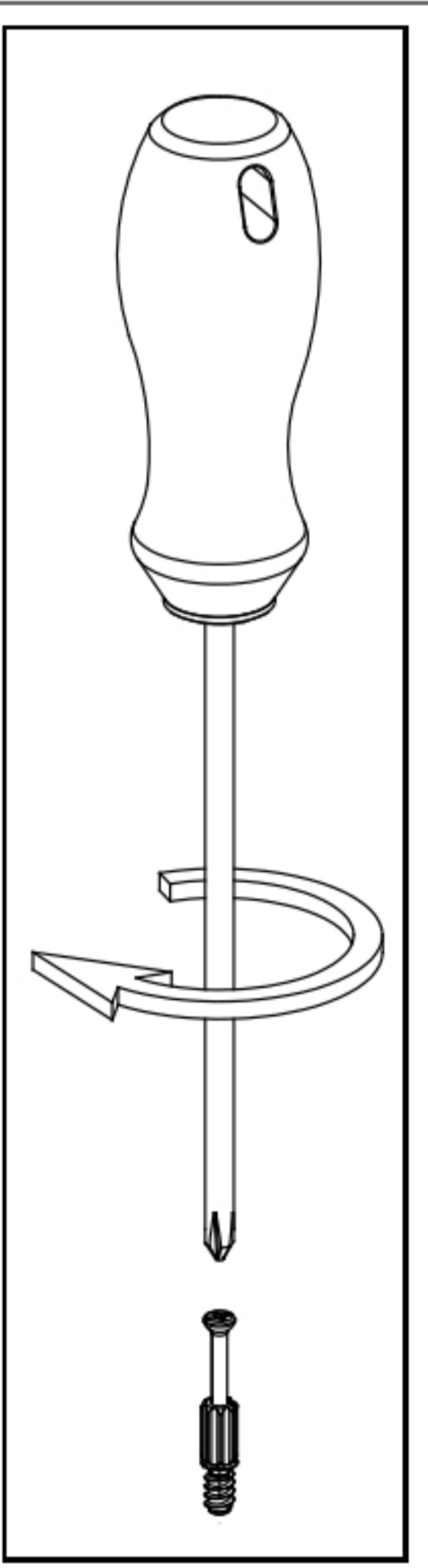
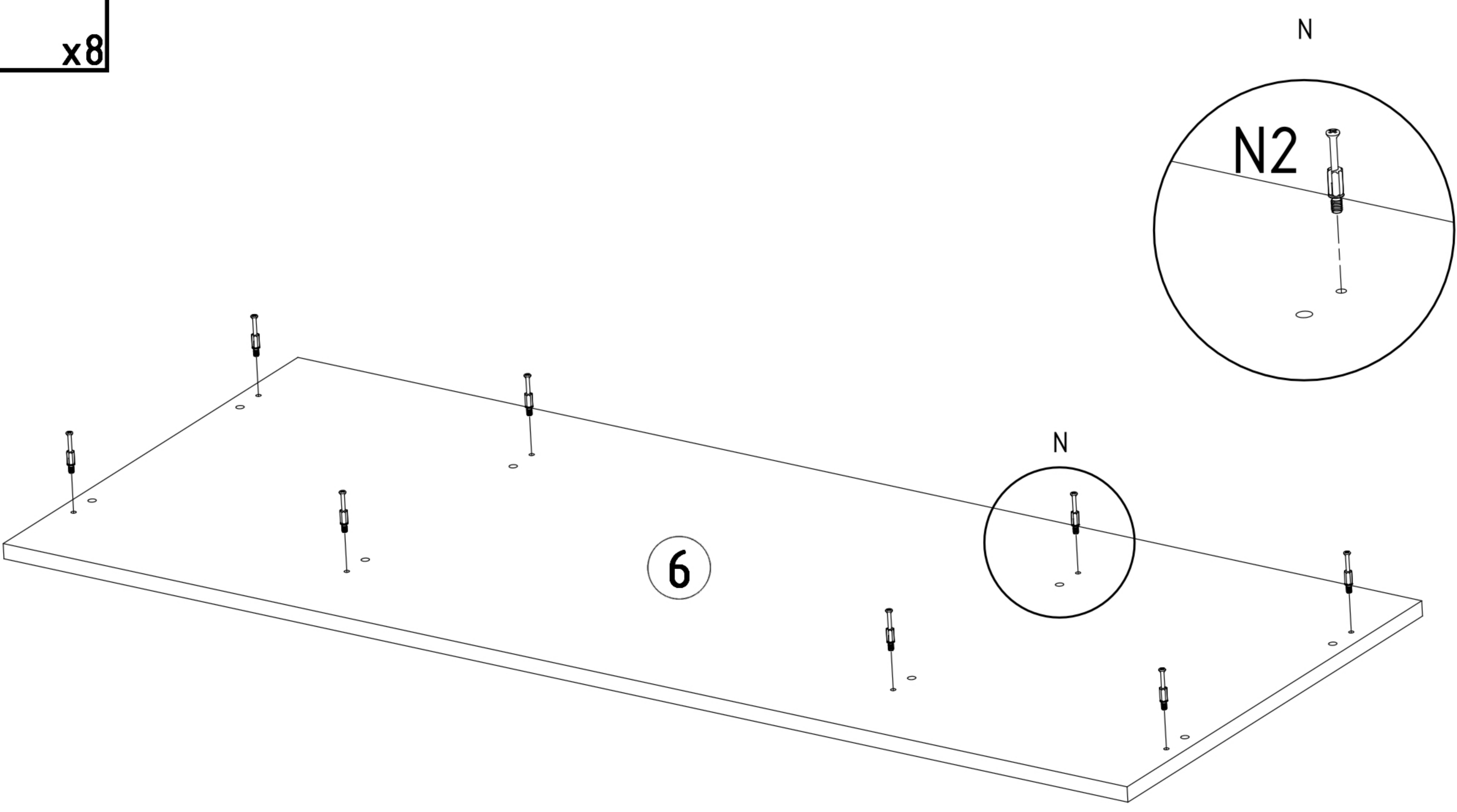
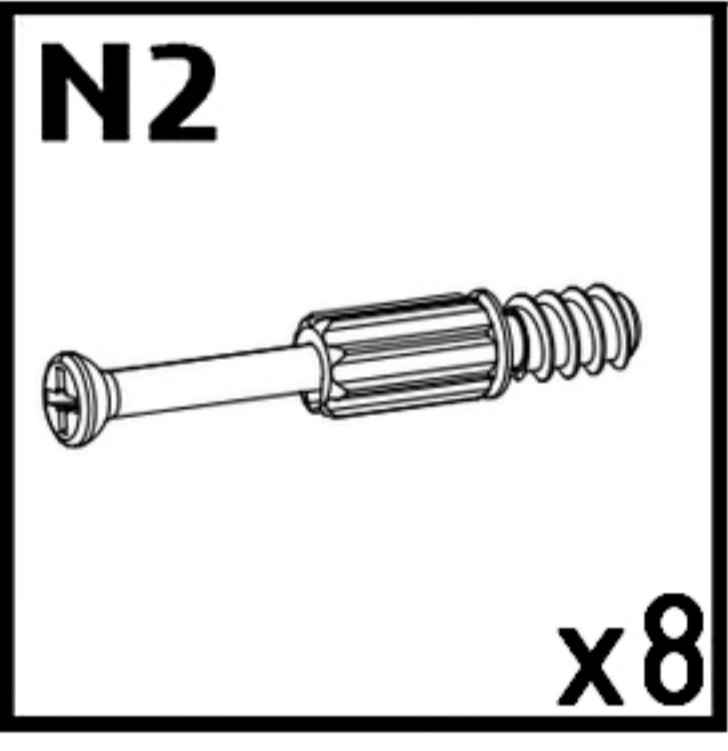
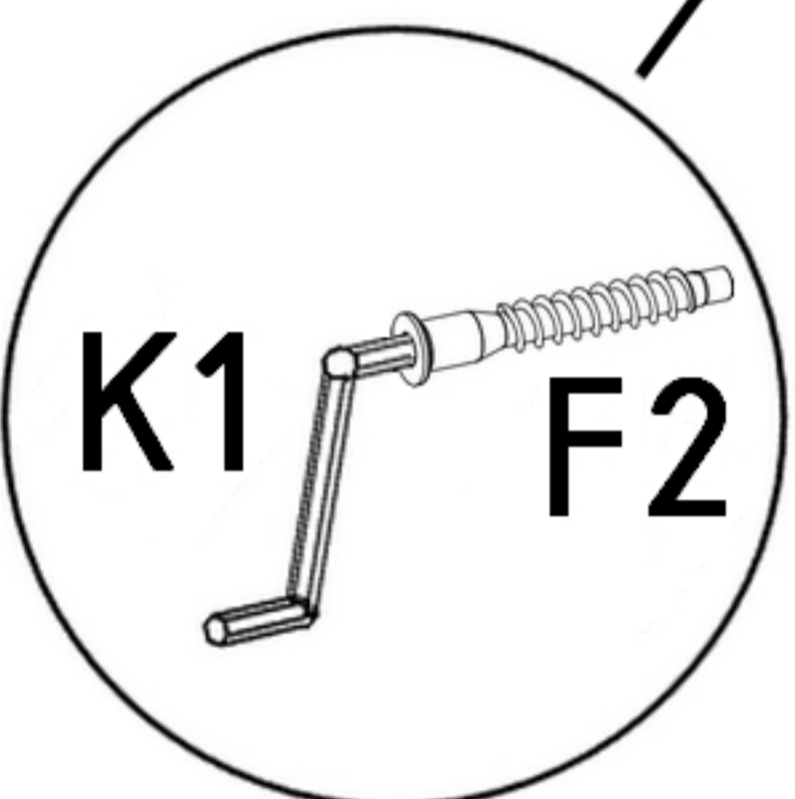
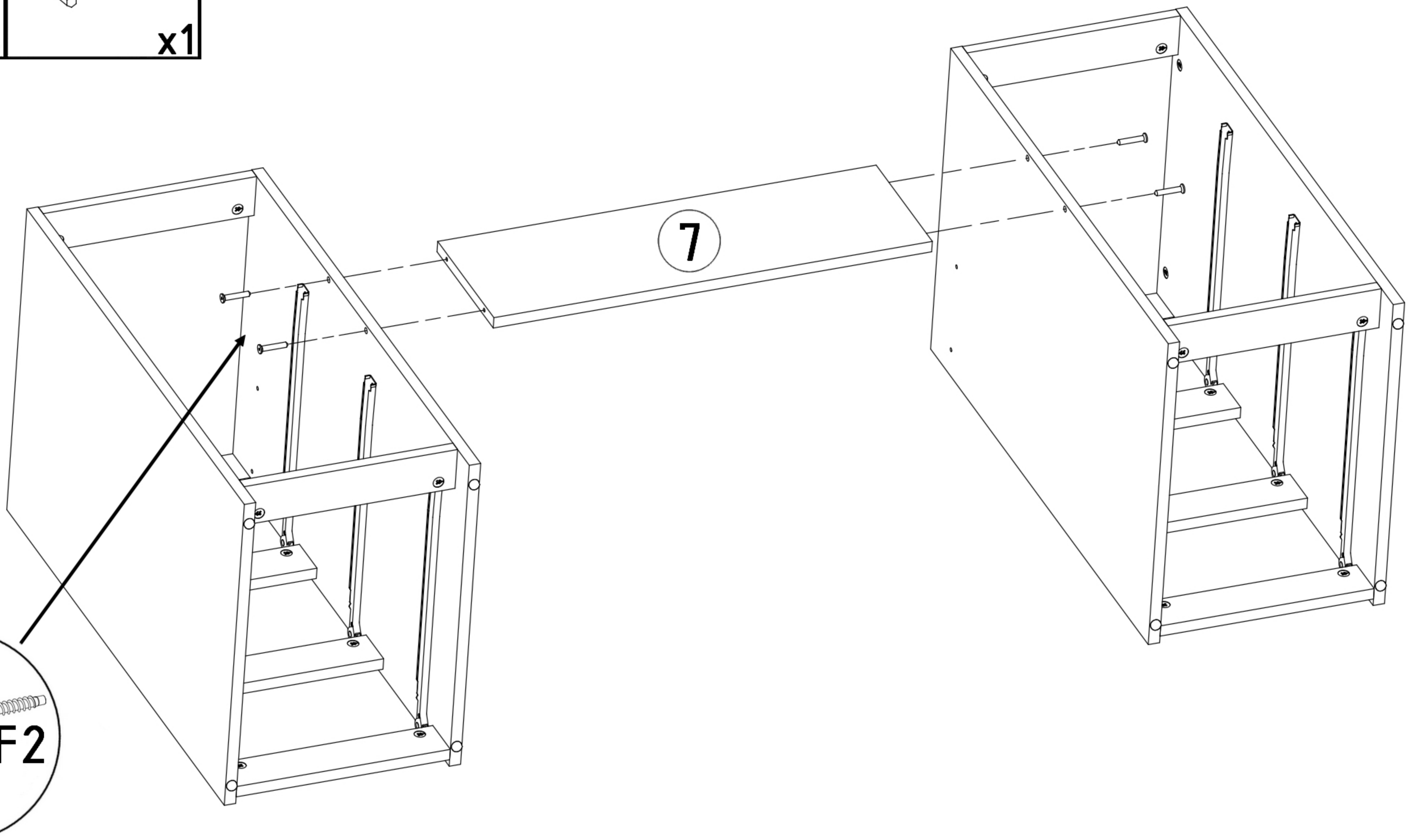
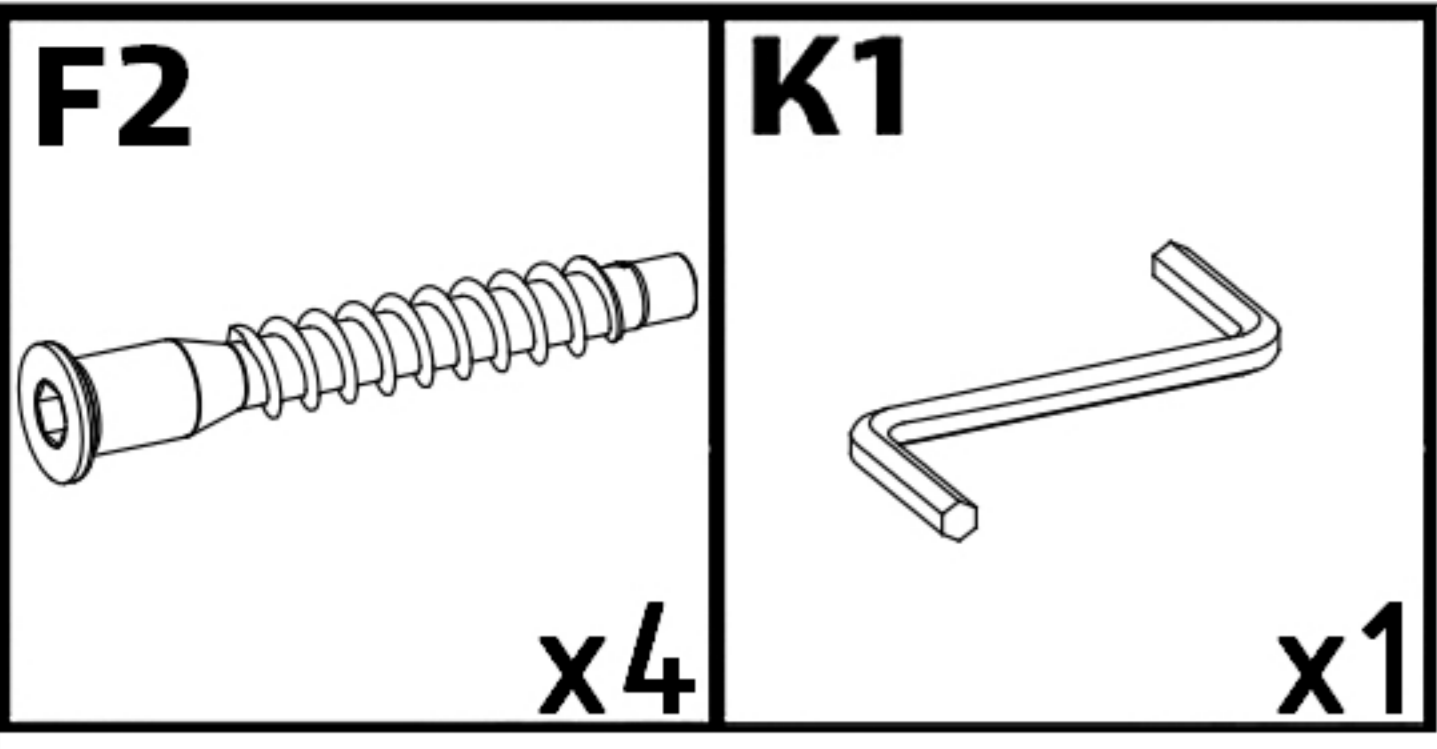


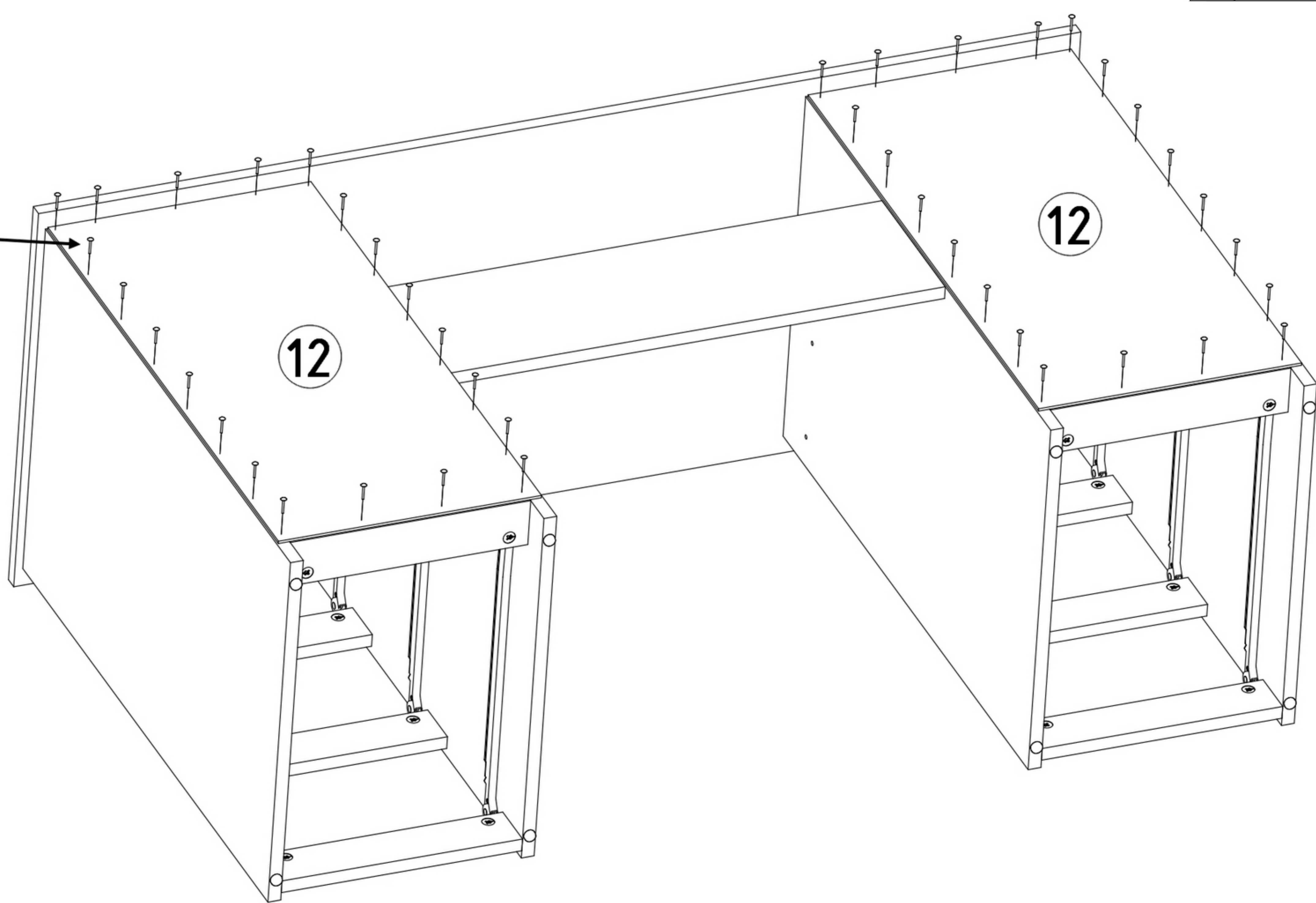
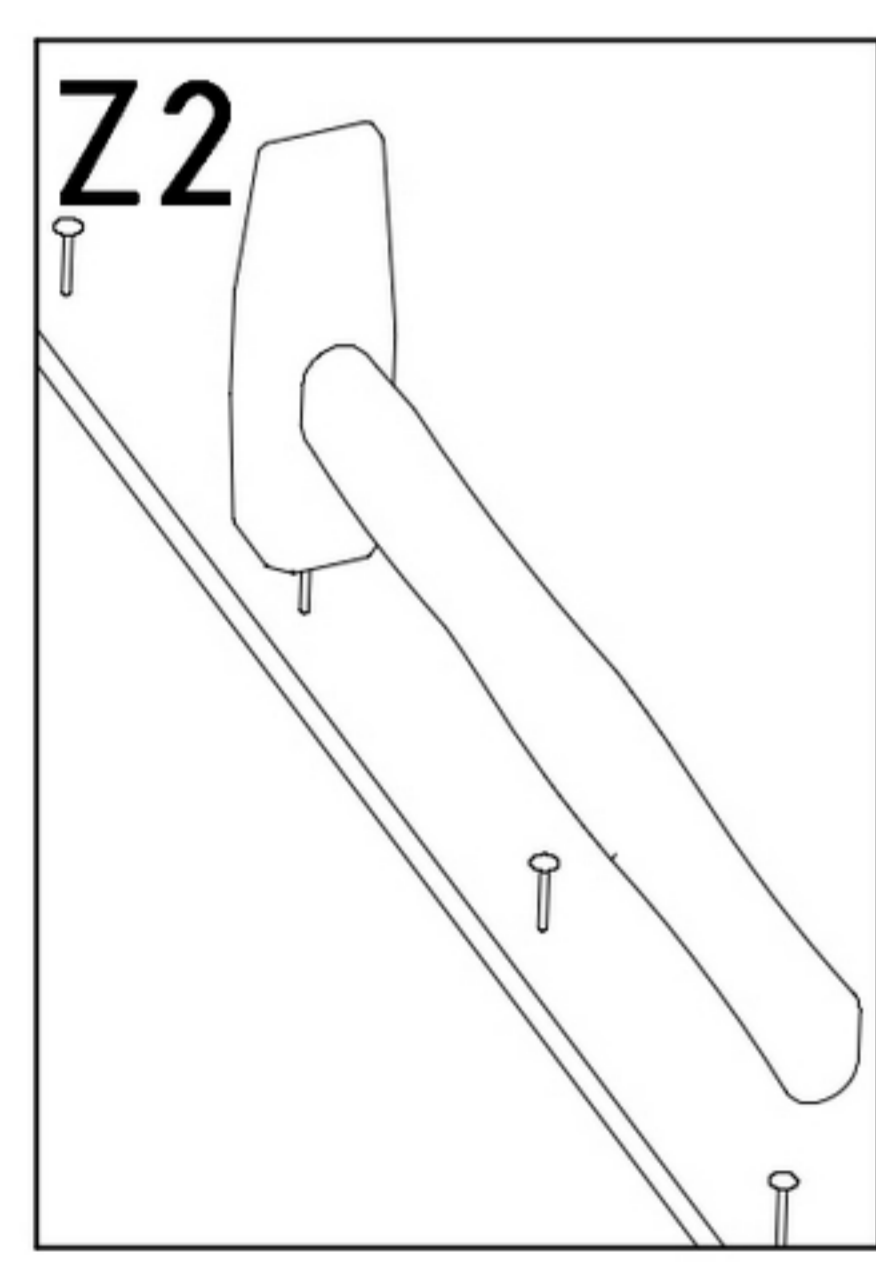
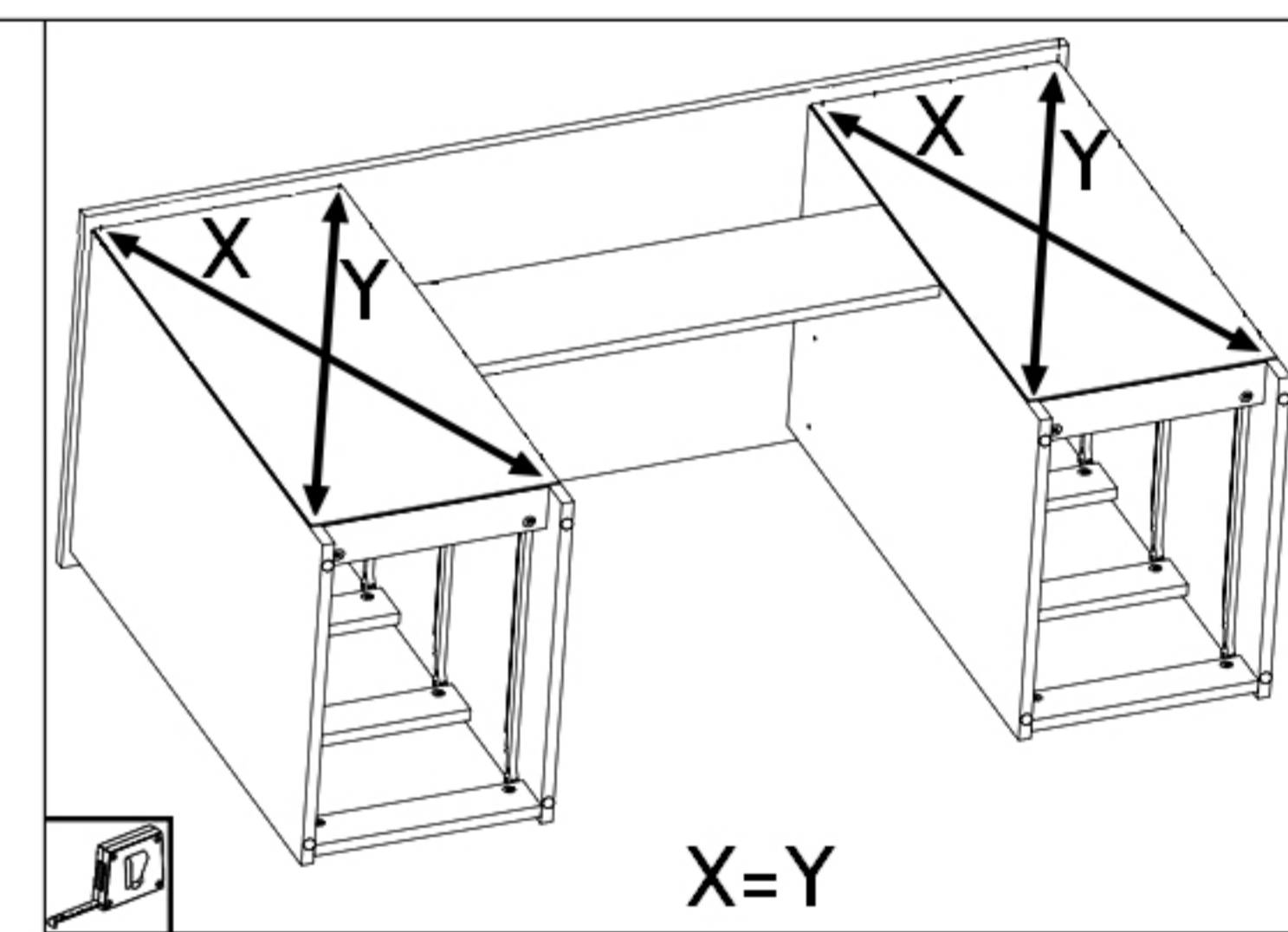
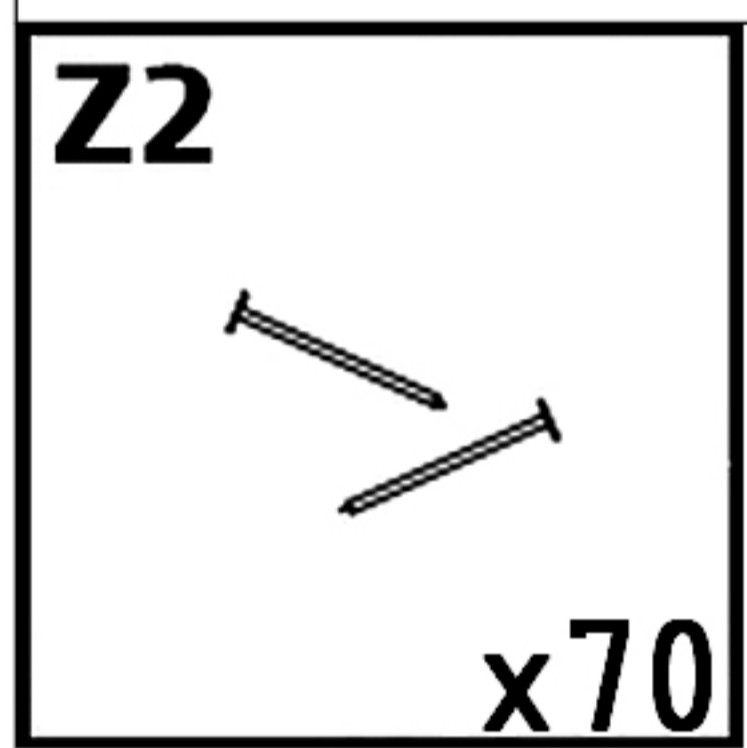
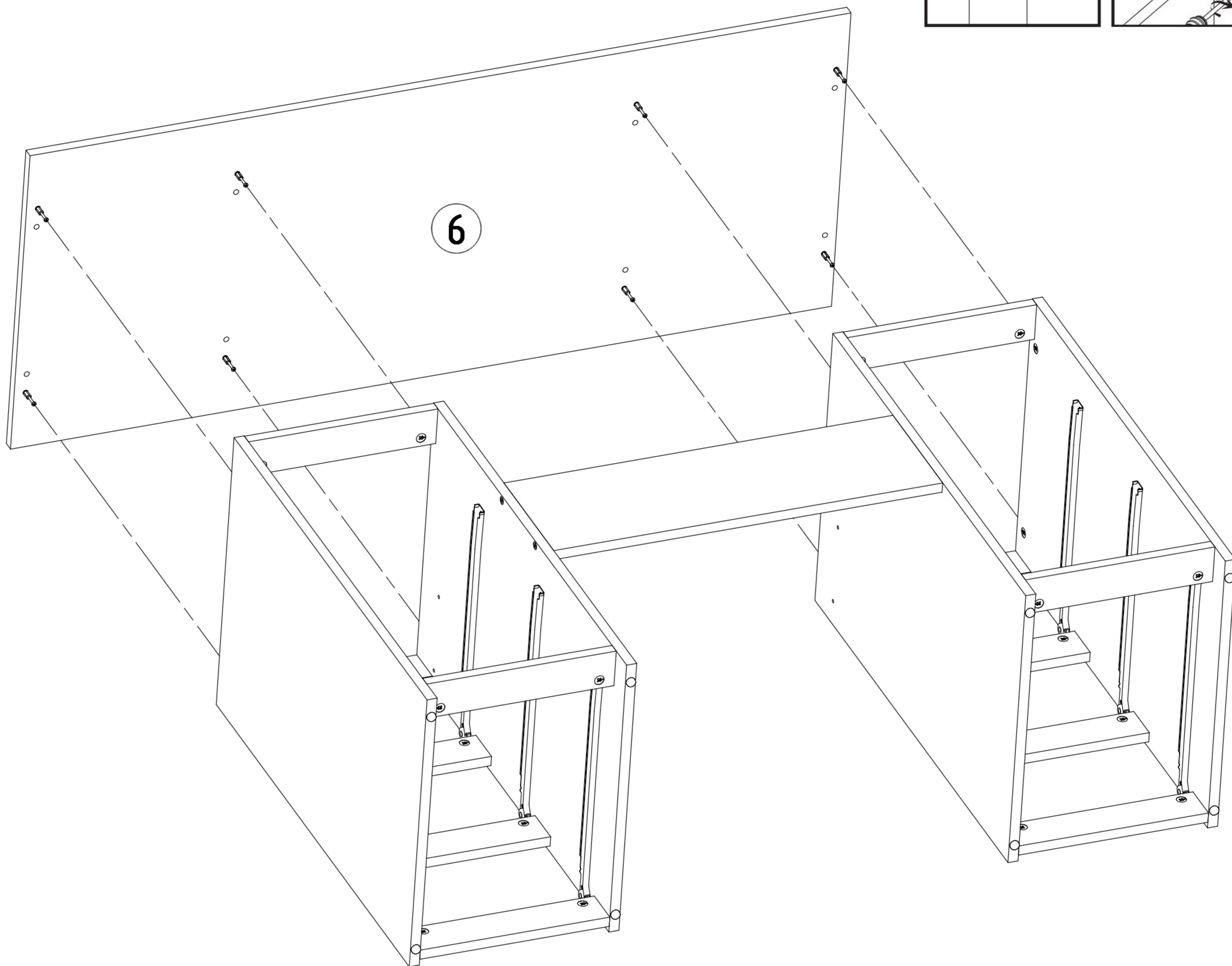
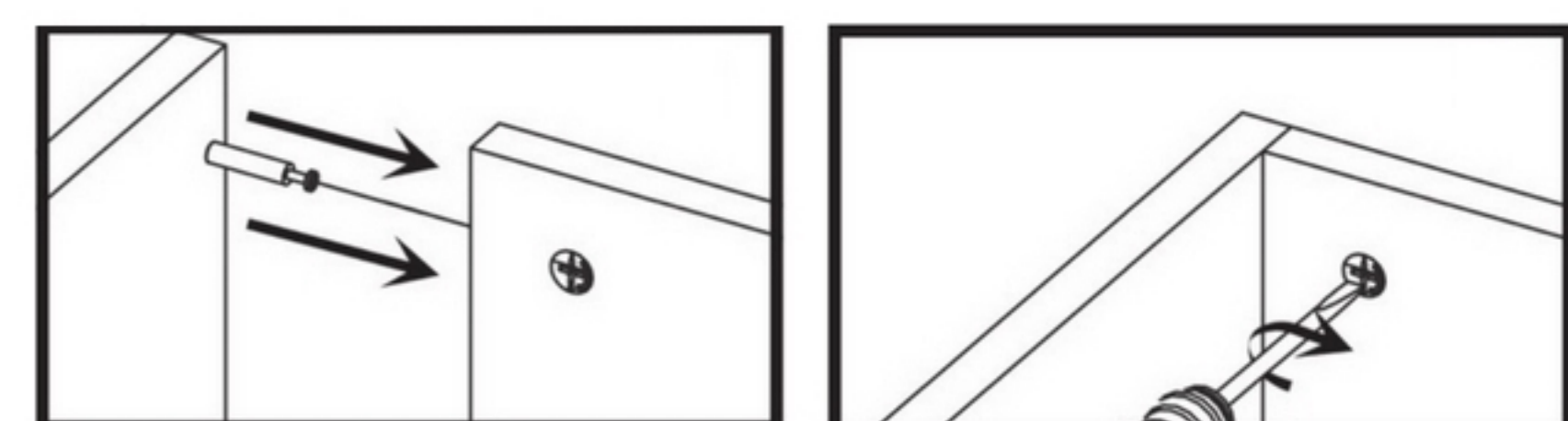
M3  x24	E1  8x30 x24
---	--

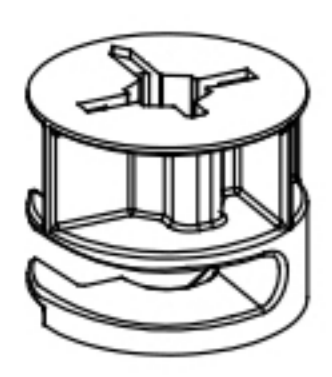
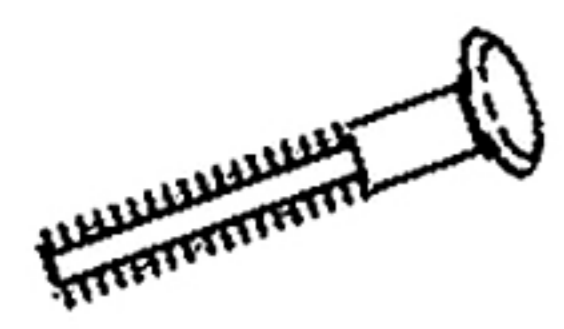
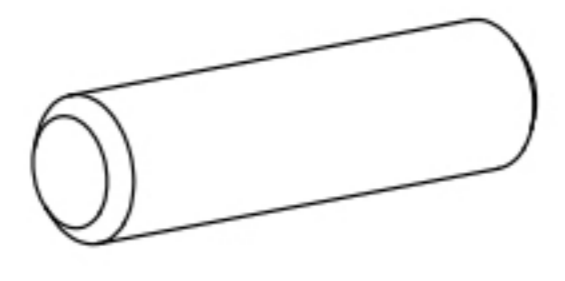


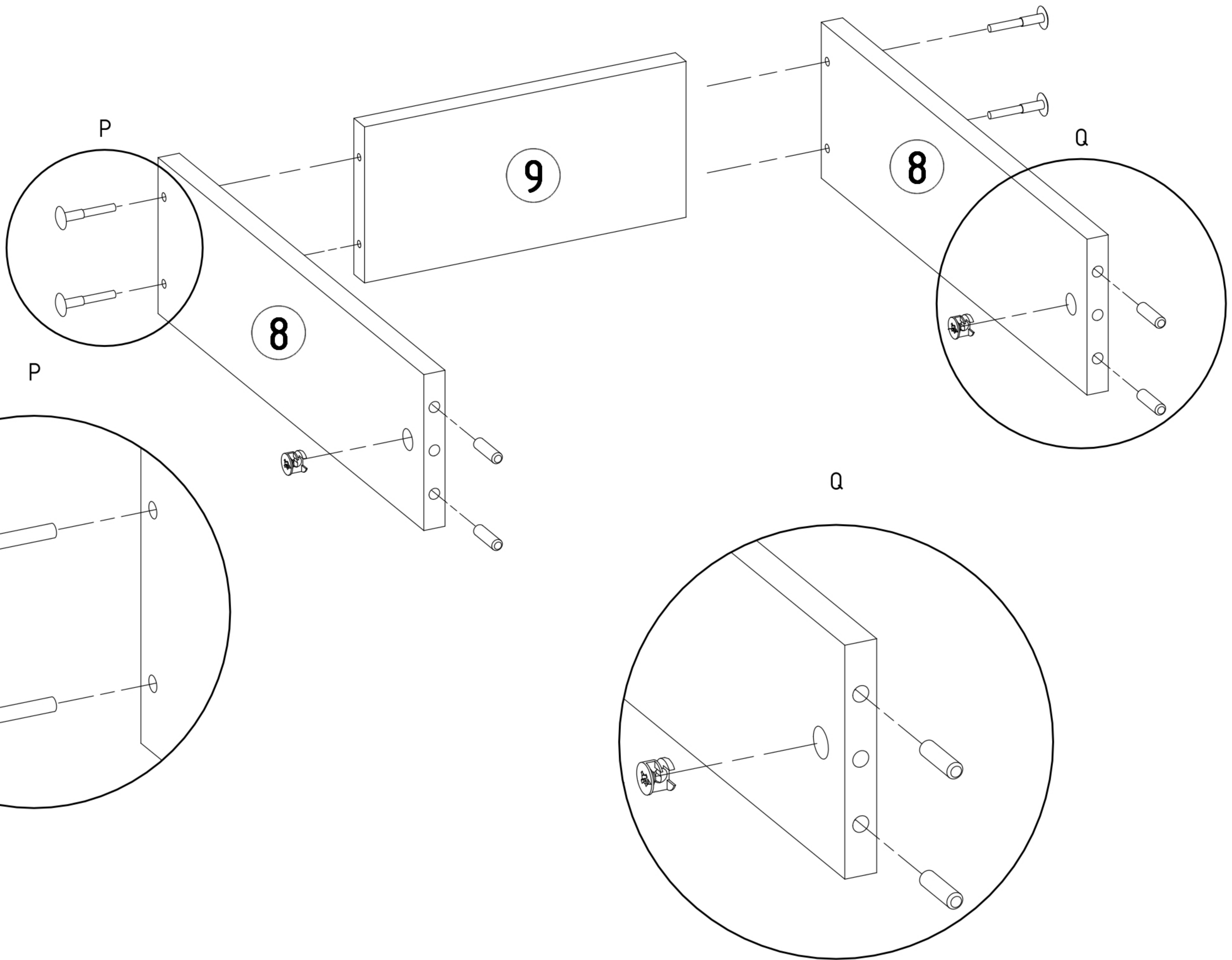
x12

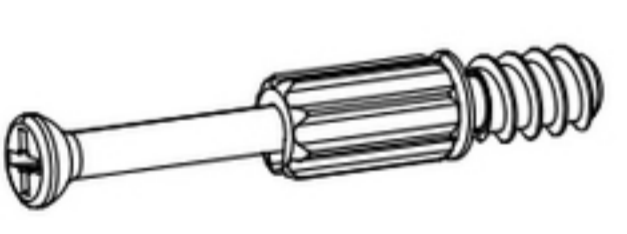


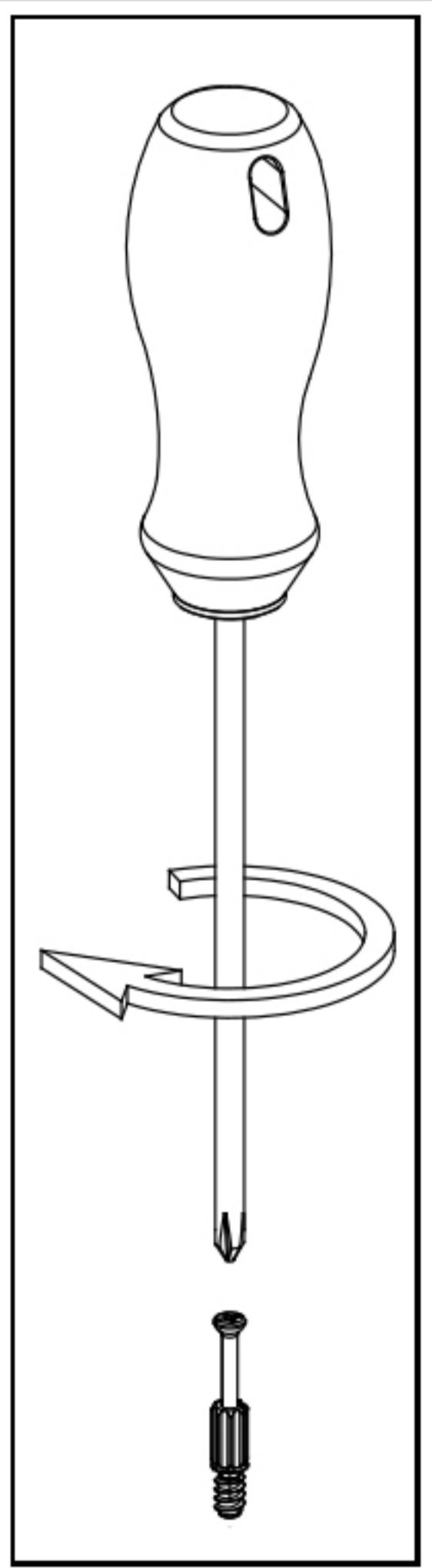
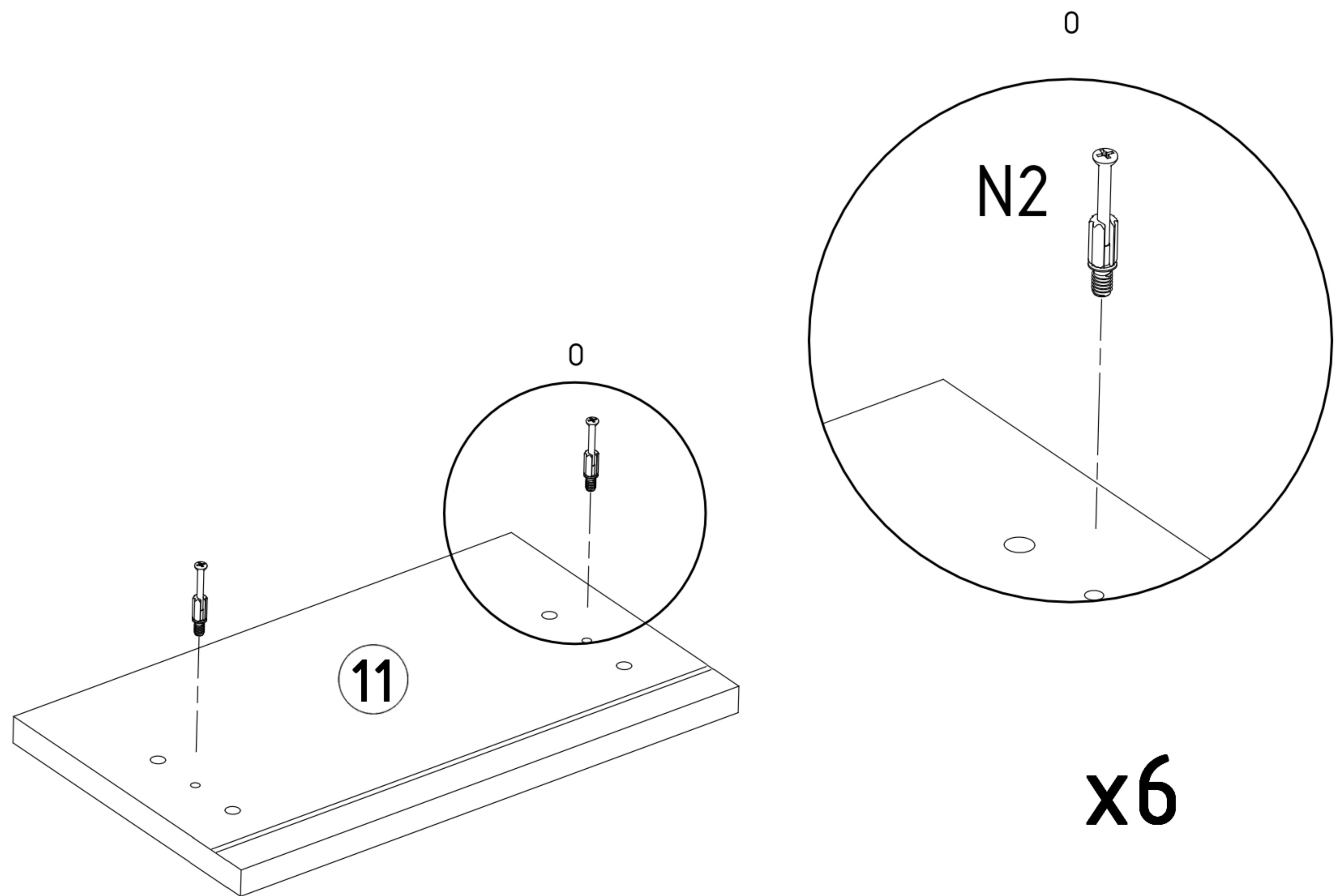




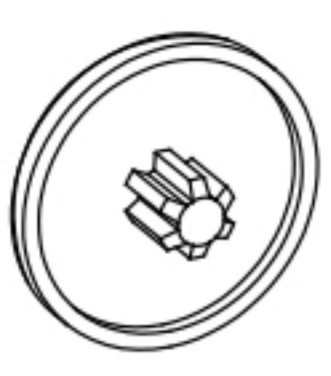
M3  x12	E4  x24	E1  8x30 x24
--	---	--



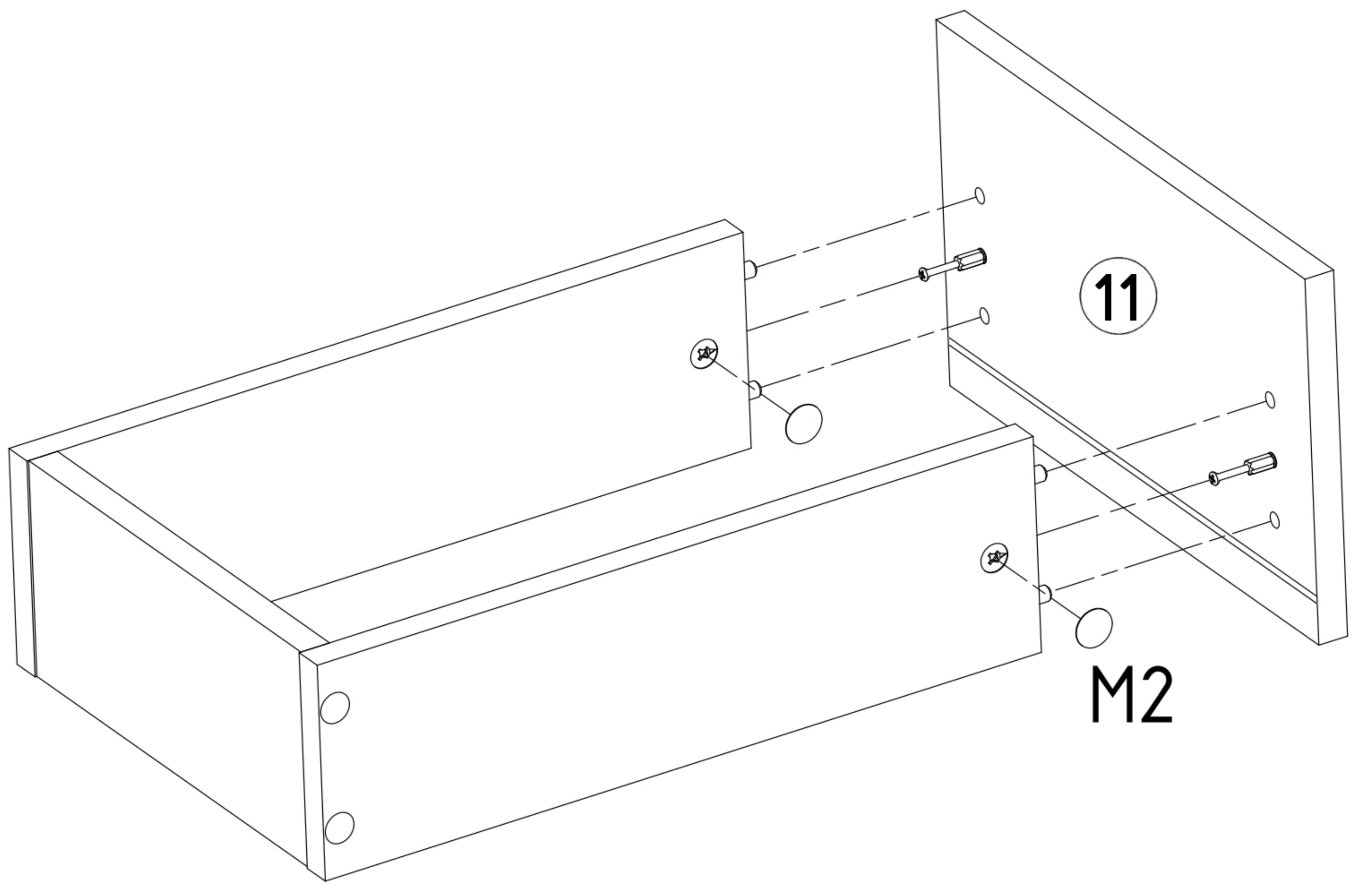
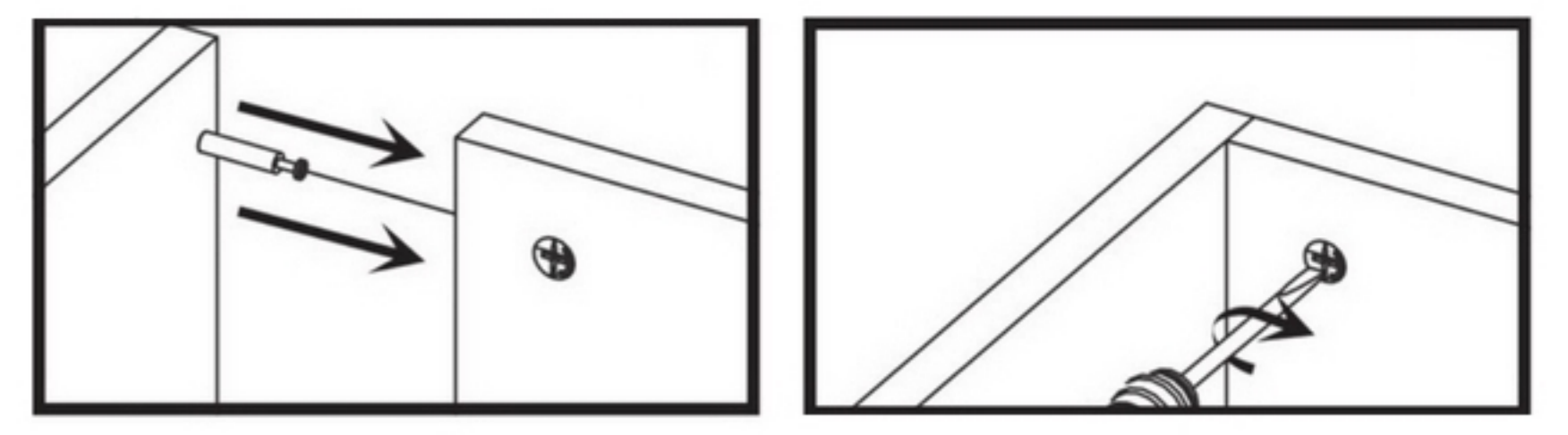
N2  L=20,3 x12

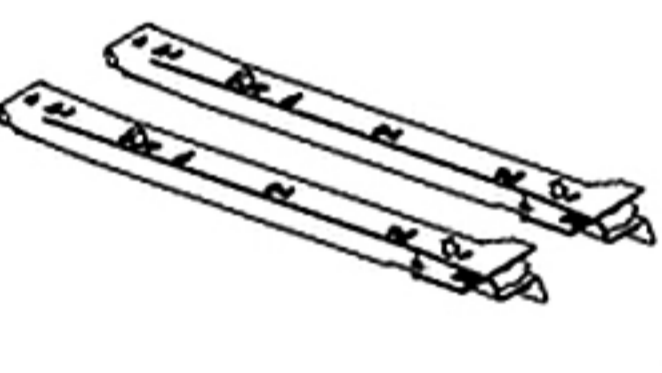




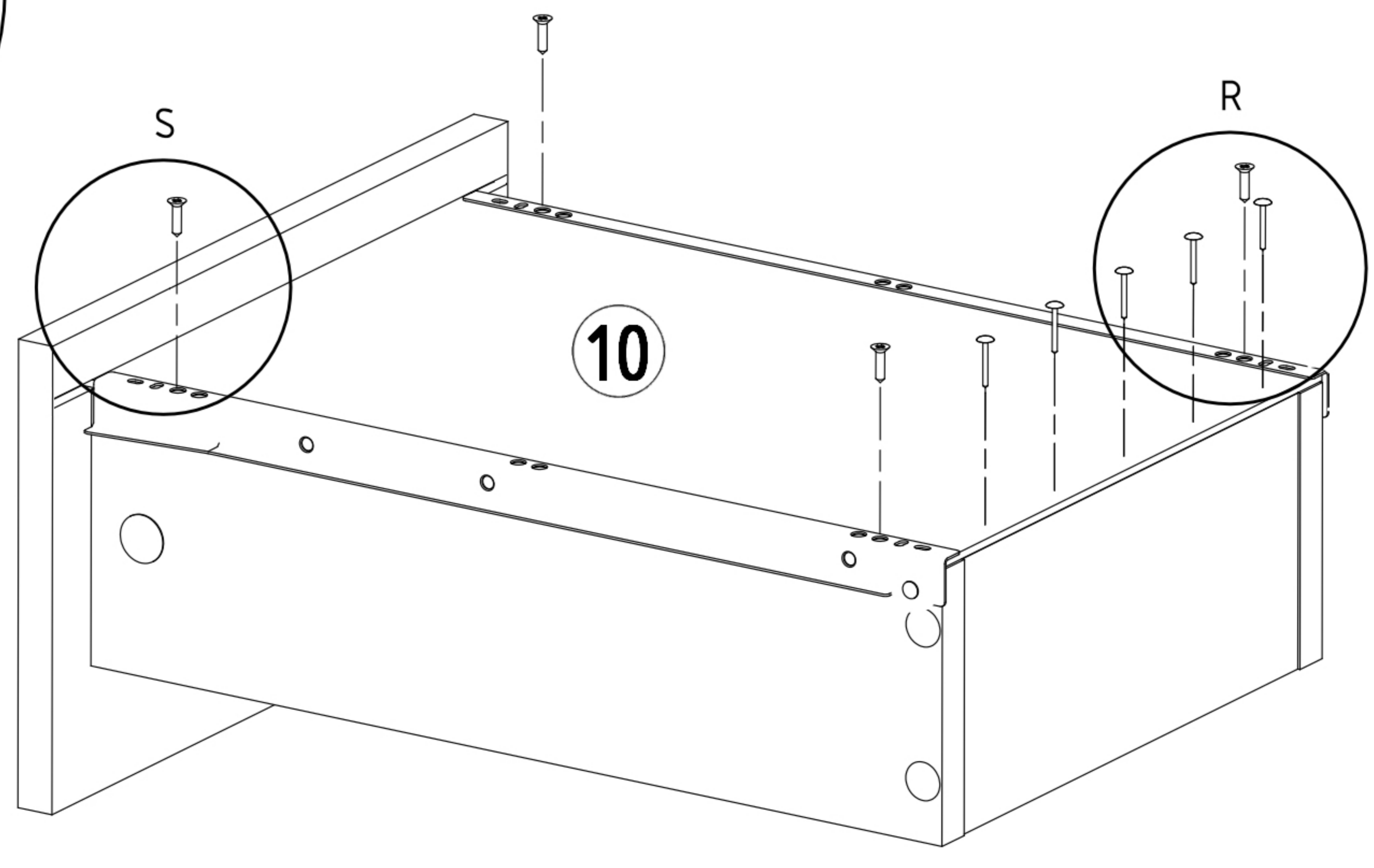
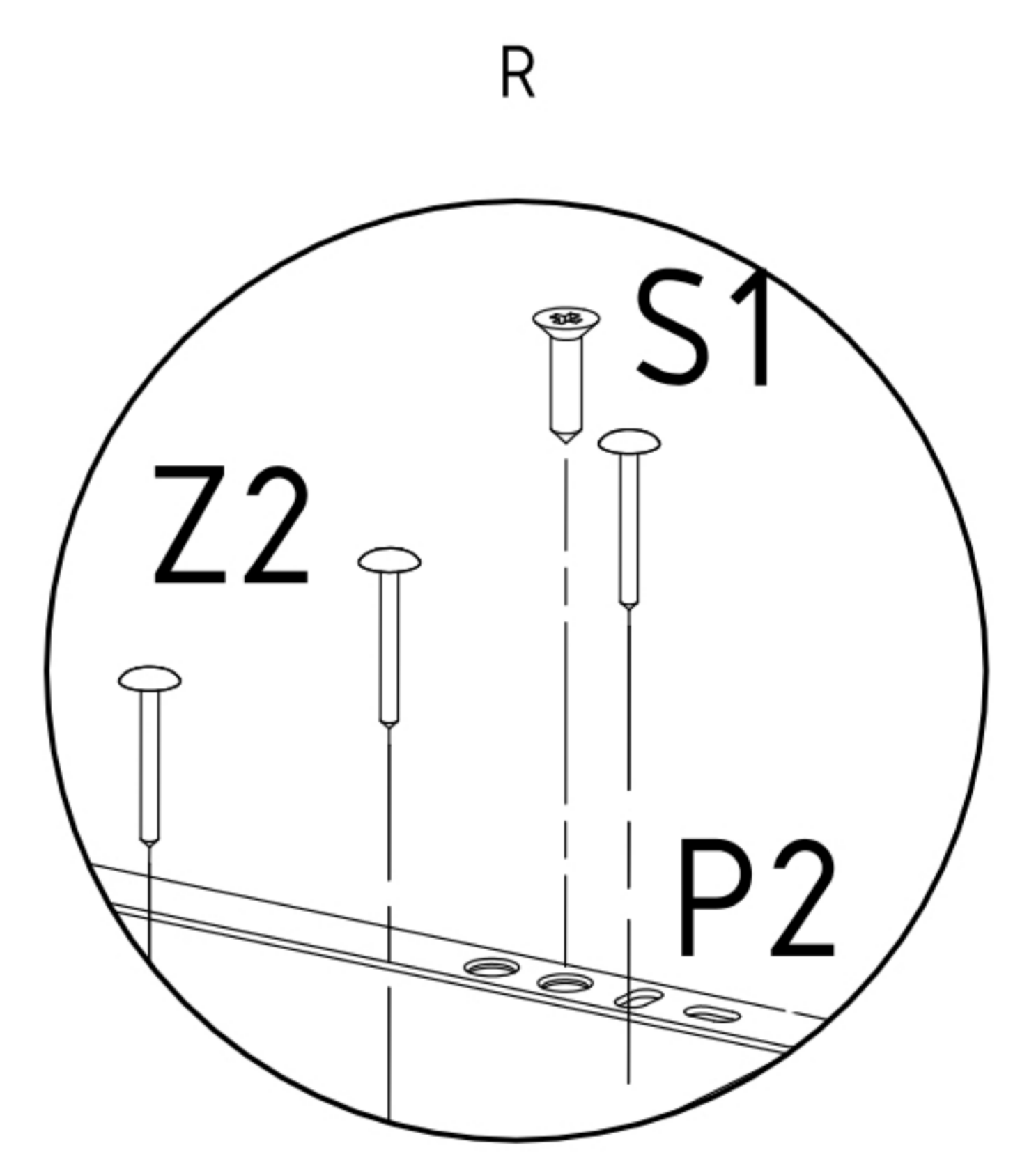
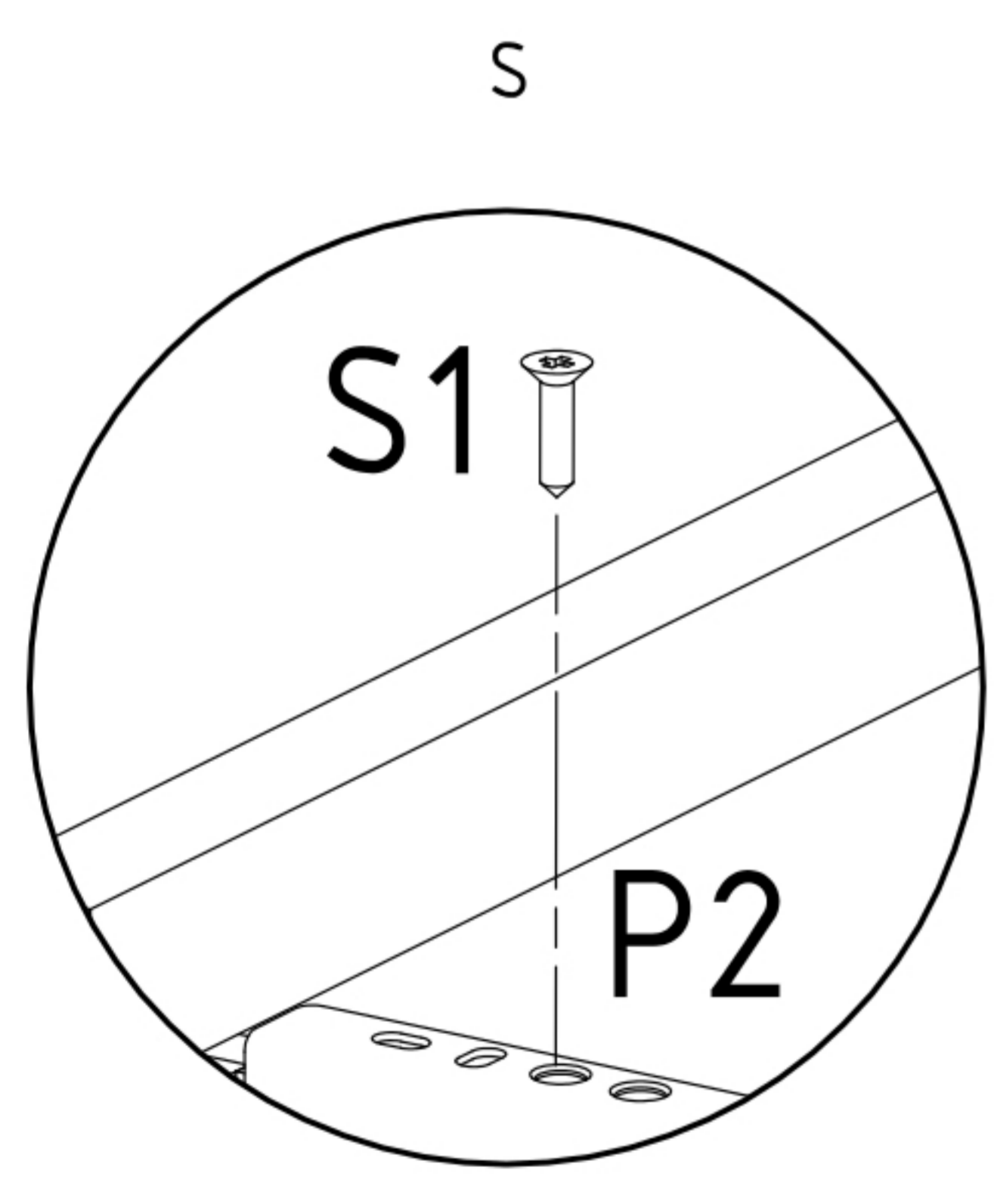
M2




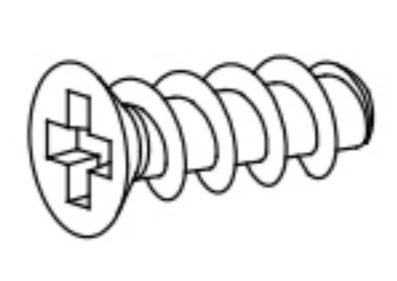
x12

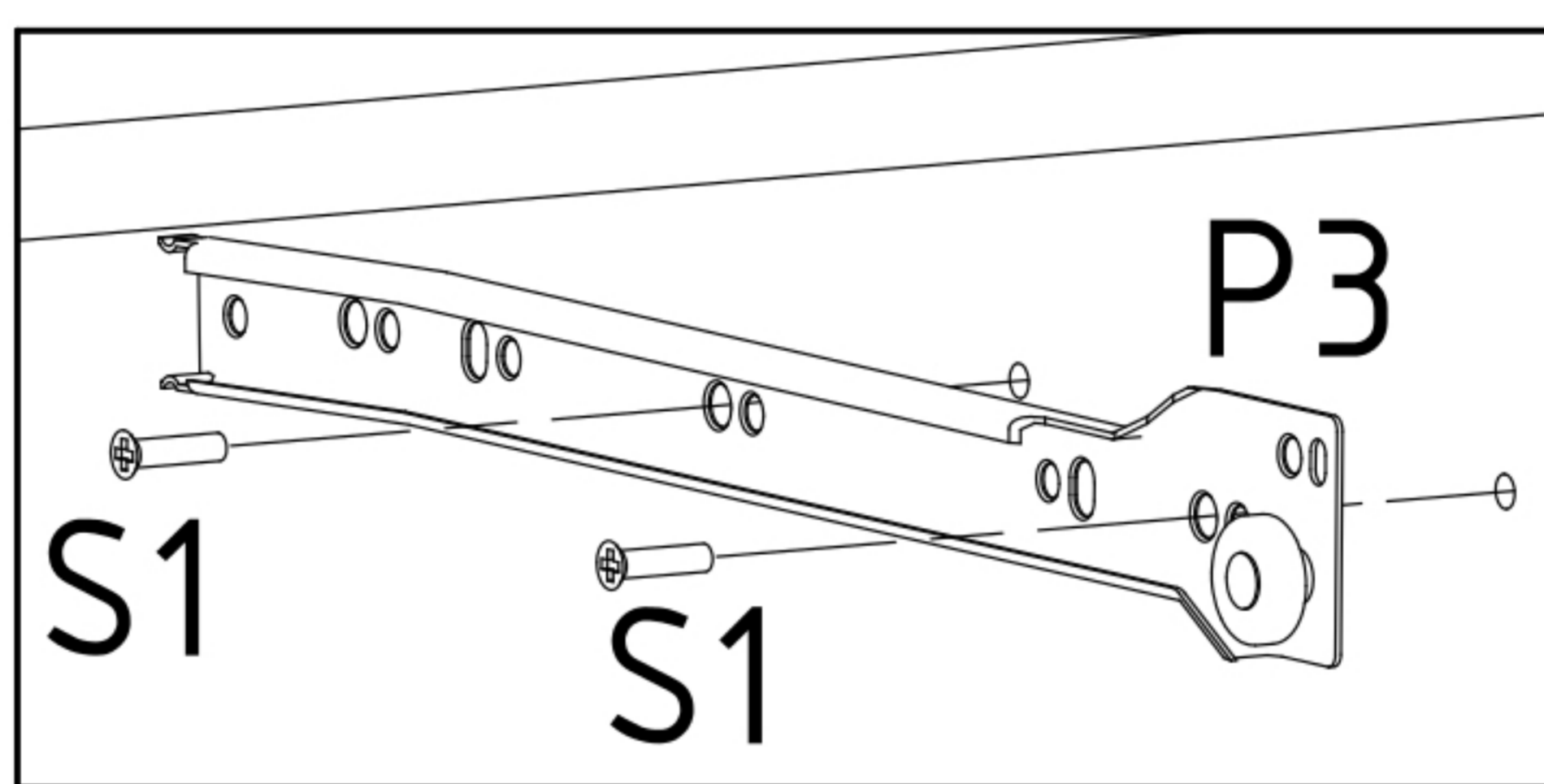
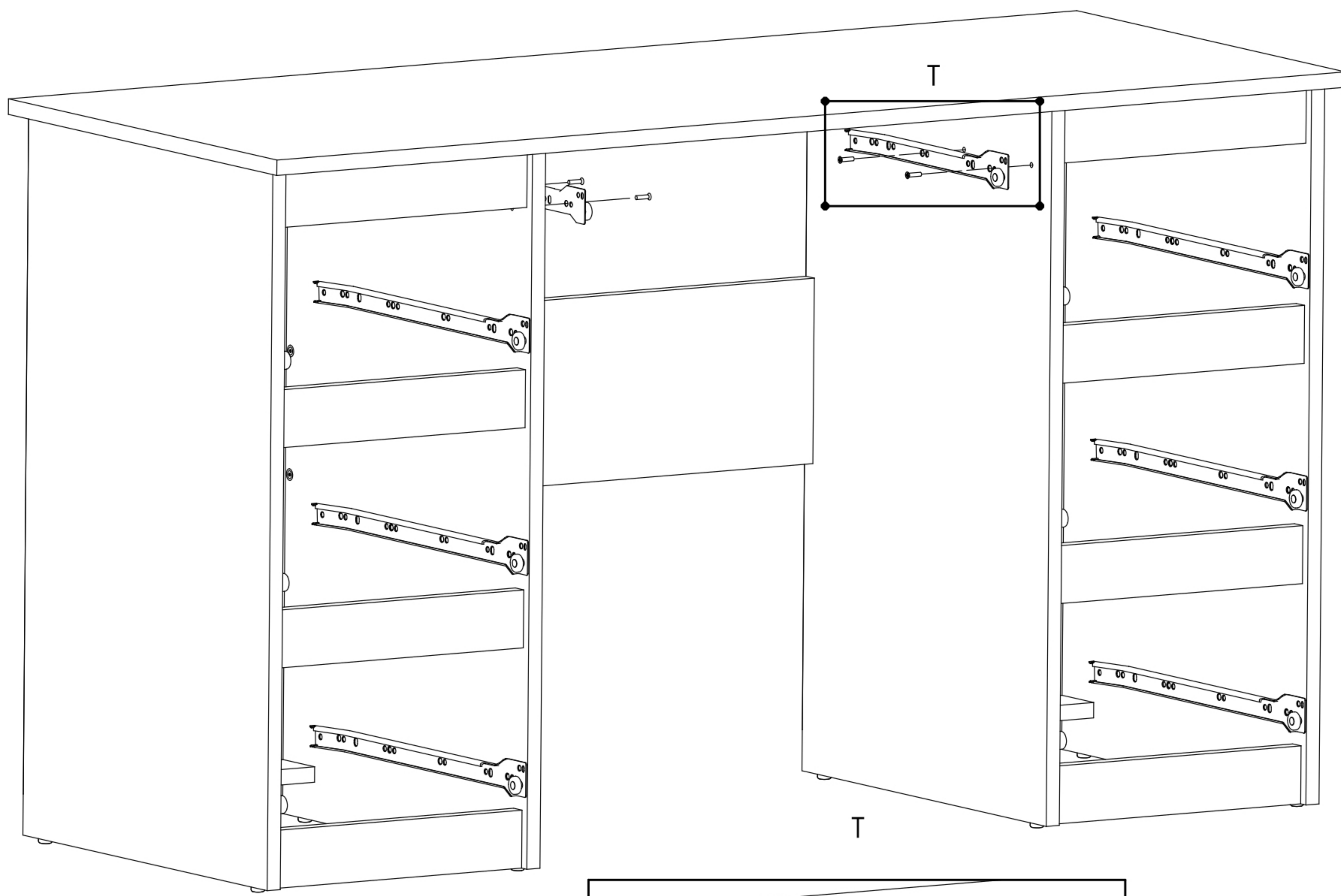




<p>P2</p>  <p>L=400 x6</p>	<p>S1</p>  <p>3,5x16 x24</p>	<p>Z2</p>  <p>x30</p>
--	---	--



x6

P3 	S15 
L=300 x1	6x8 x4



P3 	S1 
L=300 x1	3,5x16 x4

