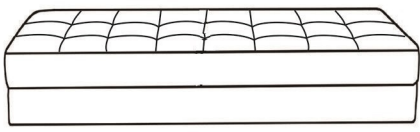
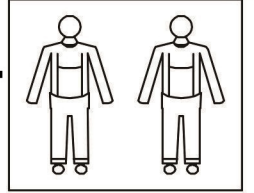
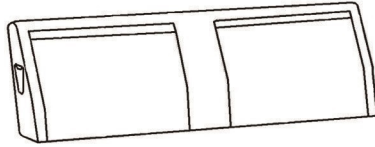


ASSEMBLY INSTRUCTION

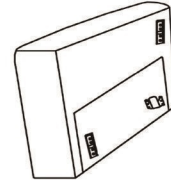
-LOVESEAT



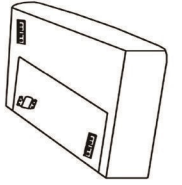
A*1



B*1



C*1-LEFT



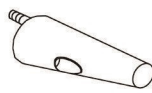
C*1-RIGHT



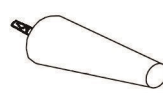
D*2



E*2



F*2



G*2



H*2



I*1

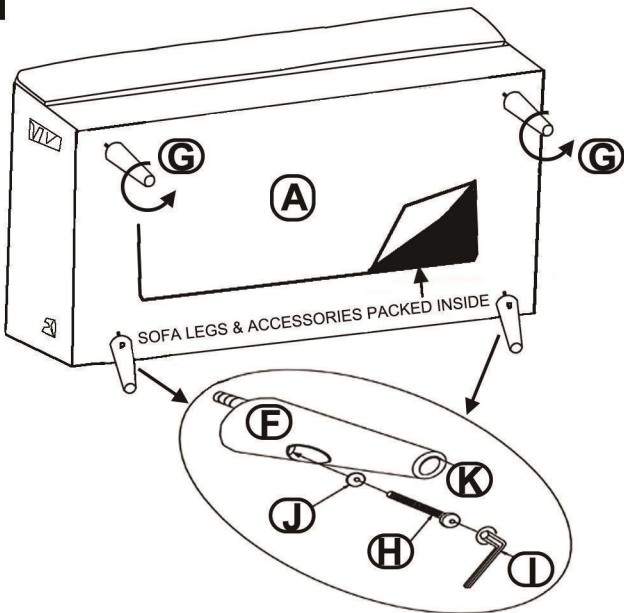


J*2

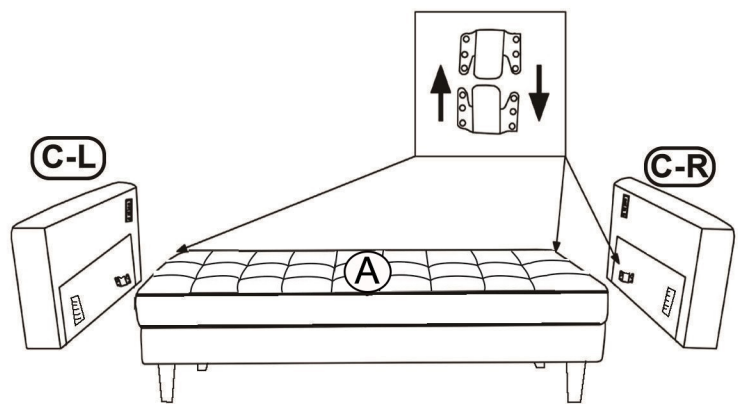


K*4

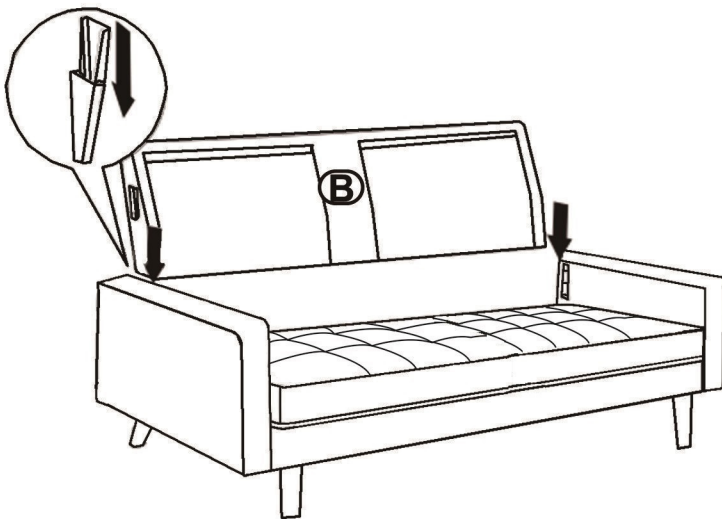
STEP 1



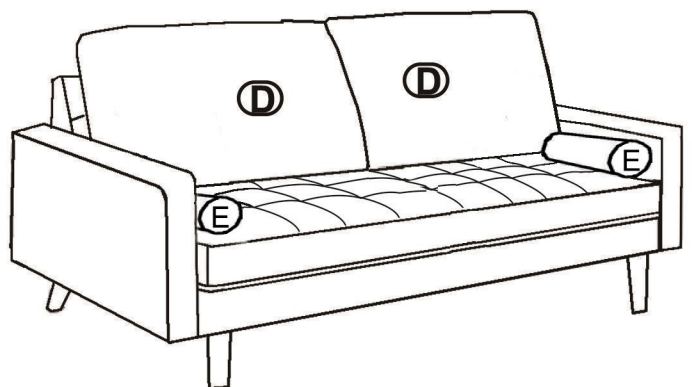
STEP 2



STEP 3

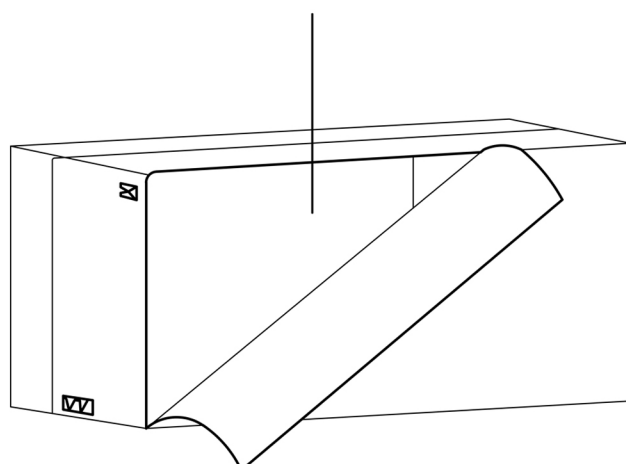


STEP 4



KINDLY REMINDER

D*2, E*2, F*2, G*2, H*2, I*1, J*2, K*4
PACKED IN LOVESEAT



CAREFULLY UNPACK AND PLACE THE LOVESEAT BODY (A) ON A CLEAN FLAT SURFACE TO SHOW THE BASE AS SHOWN.
UNPACK PARTS FROM THE STORAGE COMPARTMENT