

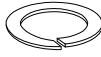

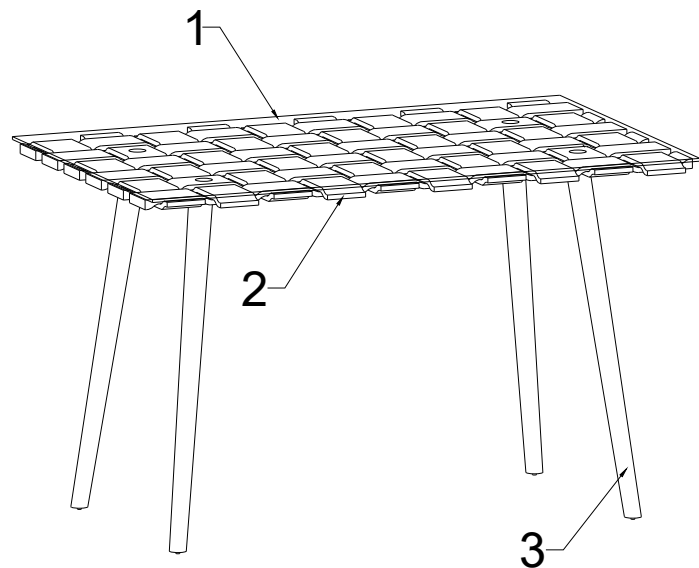
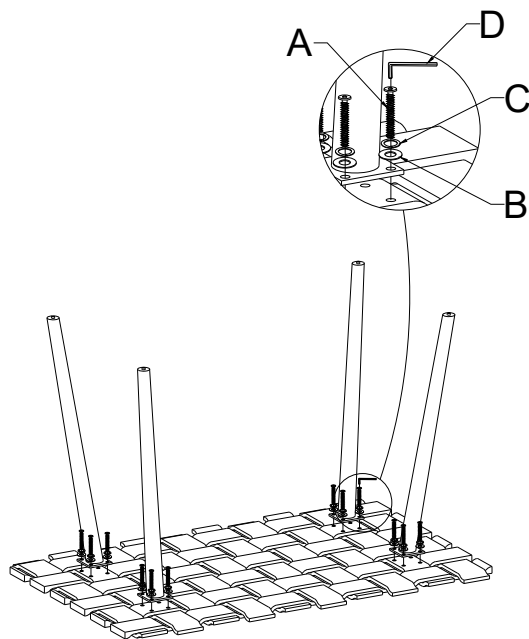


ASSEMBLY INSTRUCTIONS

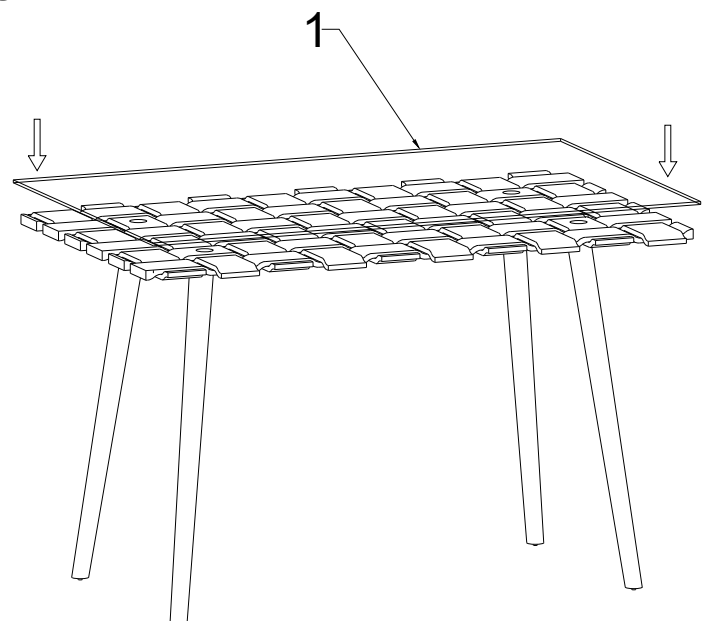
NO. PARTS		QTY
1	ACRYLIC SHEET	1PCS
2	TABLE TOP	1PCS
3	TABLE LEG	4PCS
NO. HARDWARE		QTY
A	JCBB 6 x 15 MM 	16PCS
B	FLAT WASHER 	16PCS
C	SPRING WASHER 	16PCS
D	ALLEN KEY 	1PC



STEP 1



STEP 2



CARE AND MAINTENANCE

- The touch of a soft cloth is all the maintenance your wood pieces will ever need. Never use harsh chemicals or abrasive cleaners, as they could mark or destroy finish.
- Bolts, screws, and nuts may loosen during everyday use. They should be periodically inspected and re-tightened. Always visually check that all hardware on the list is attached and kept tightened.