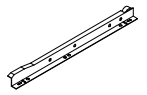
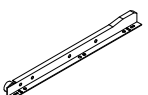
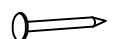


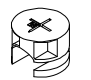
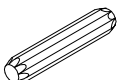

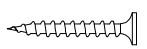
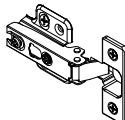
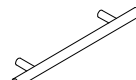

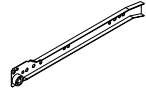
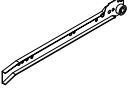
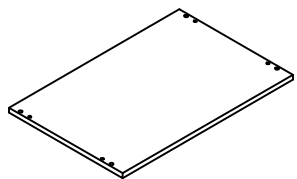


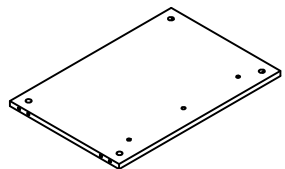
<p>K 350MM</p>  <p>1PCS</p>	<p>L 350MM</p>  <p>1PCS</p>	<p>M</p>  <p>18PCS</p>	<p>N</p>  <p>4PCS</p>						
<p>A</p>  <p>19PCS</p>	<p>B</p>  <p>19PCS</p>	<p>C 8*40</p>  <p>10PCS</p>	<p>D 3.5*14</p>  <p>20PCS</p>	<p>E 3.5*35</p>  <p>4PCS</p>	<p>F</p>  <p>2PCS</p>	<p>G</p>  <p>2PCS</p>	<p>H 4*22</p>  <p>4PCS</p>	<p>I 350MM</p>  <p>1PCS</p>	<p>J 350MM</p>  <p>1PCS</p>

1



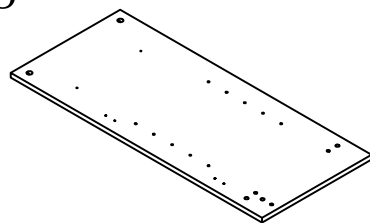
600*400 1PS

2



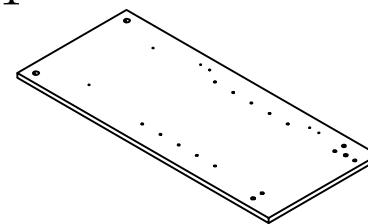
568*385 1PS

3



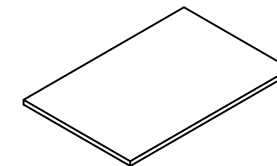
885*385 1PS

4



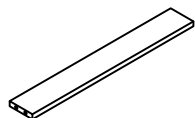
885*385 1PS

5



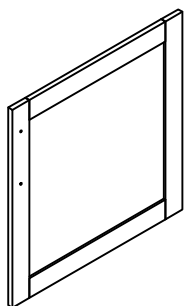
565*375 1PS

6



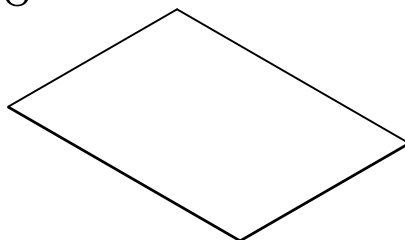
568*80 1PS

7



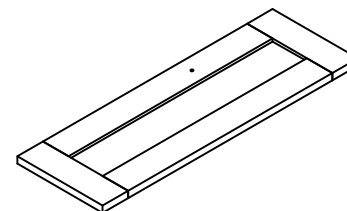
603*599 1PS

8



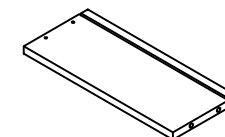
816*297 1PS

9



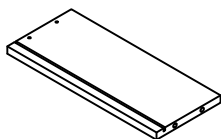
599*200 1PS

10



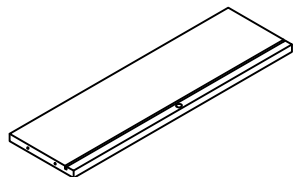
350*150 1PS

11



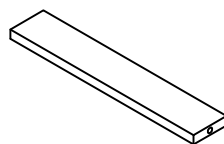
350*150 1PS

12



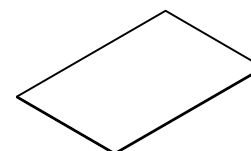
513*150 1PS

13



334*60 1PS

14



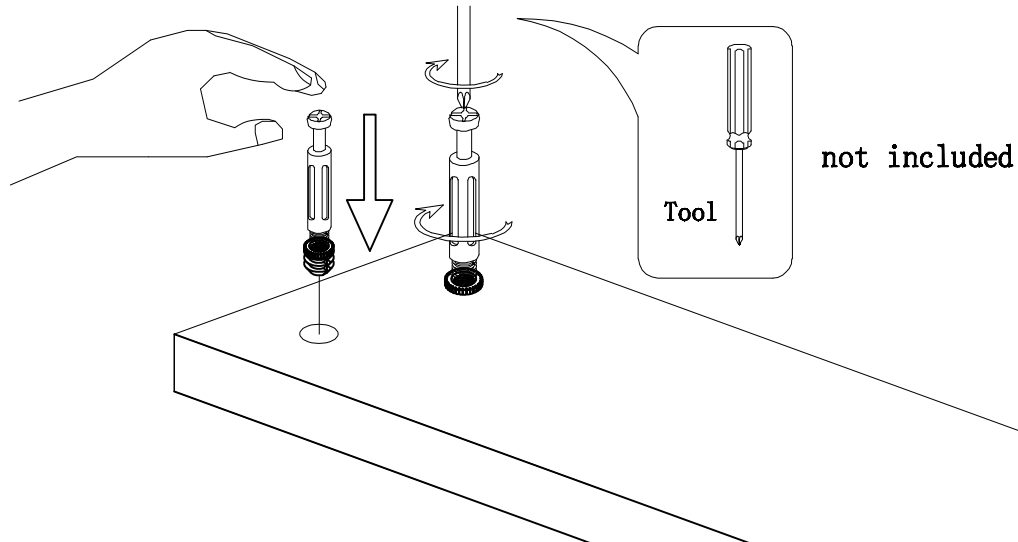
565*375 1PS



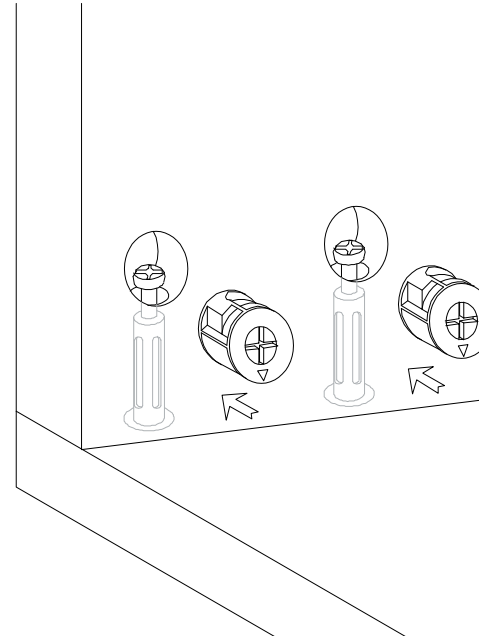
Hardware installation demonstration

NOTE: Please make sure "A" hardware tightened and can't be pulled out!

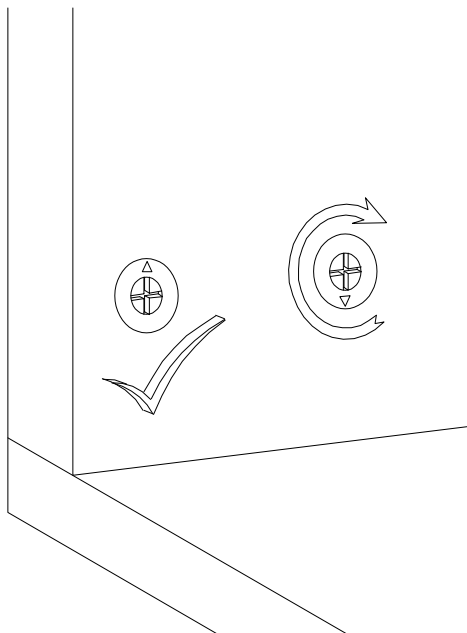
I



II



III

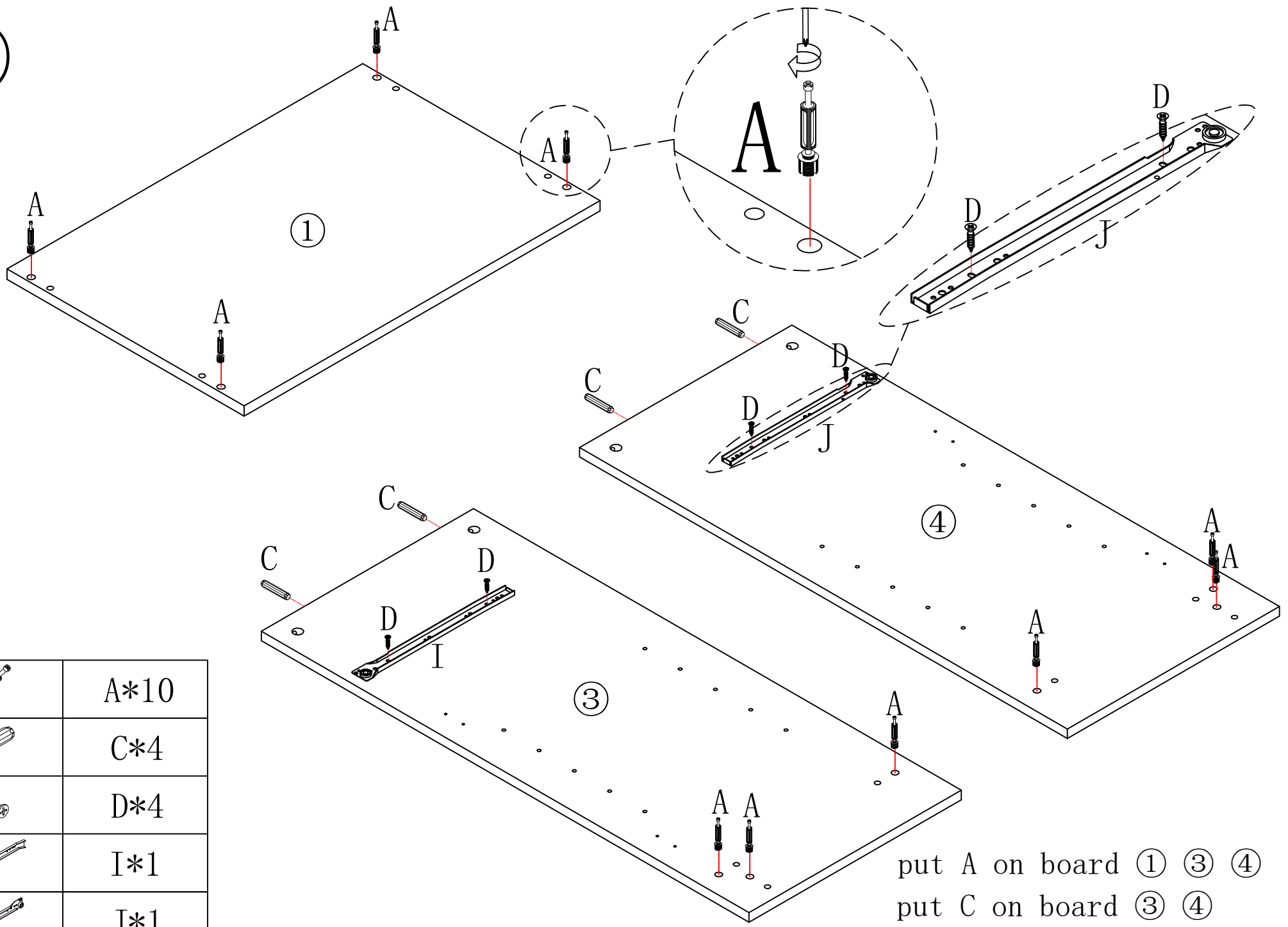



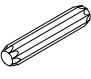

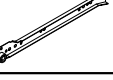

IV



Scan QR code for assembly video

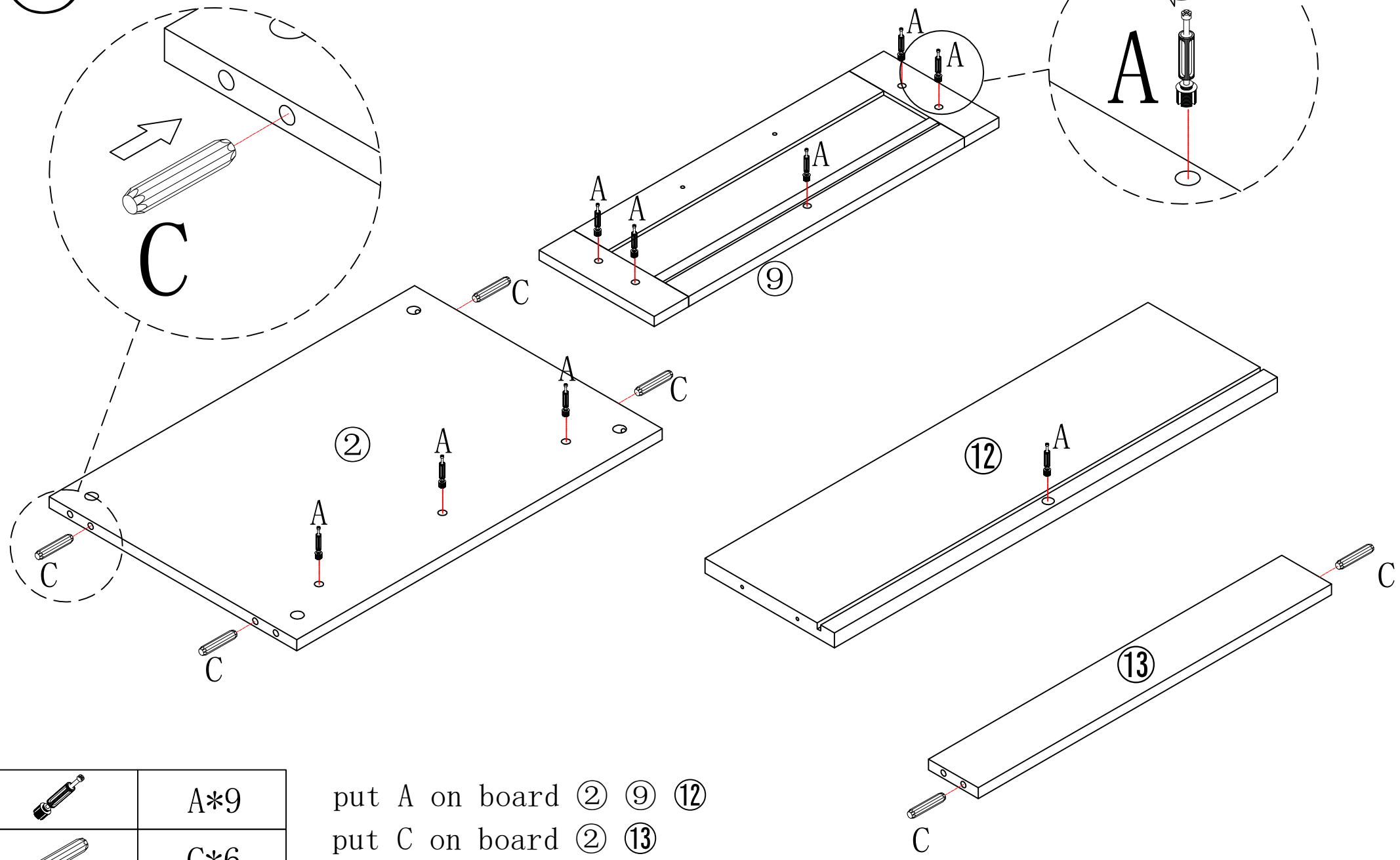
①


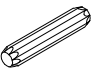


	A*10
	C*4
	D*4
	I*1
	J*1

put A on board ① ③ ④
 put C on board ③ ④

2

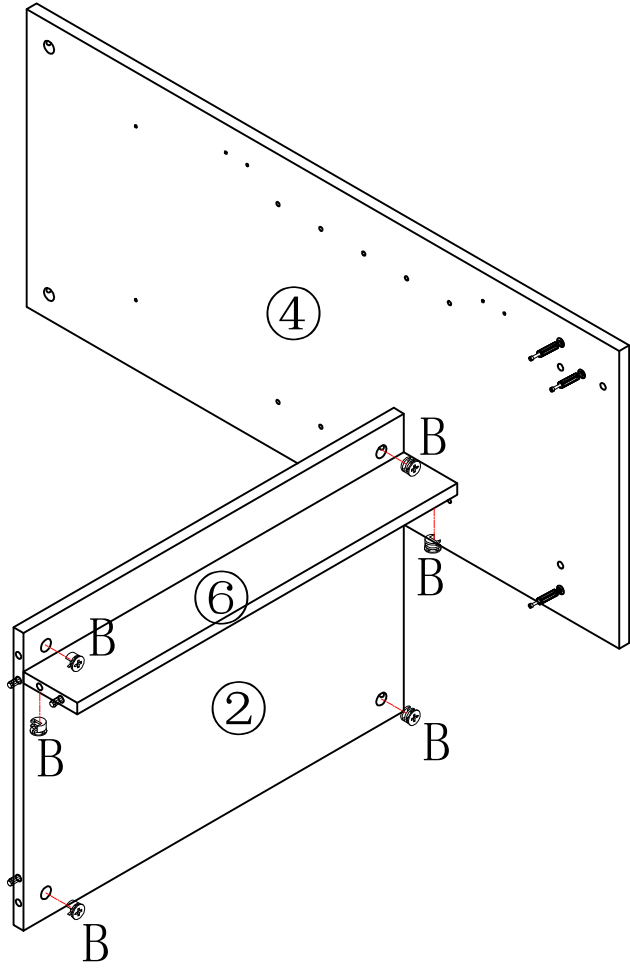
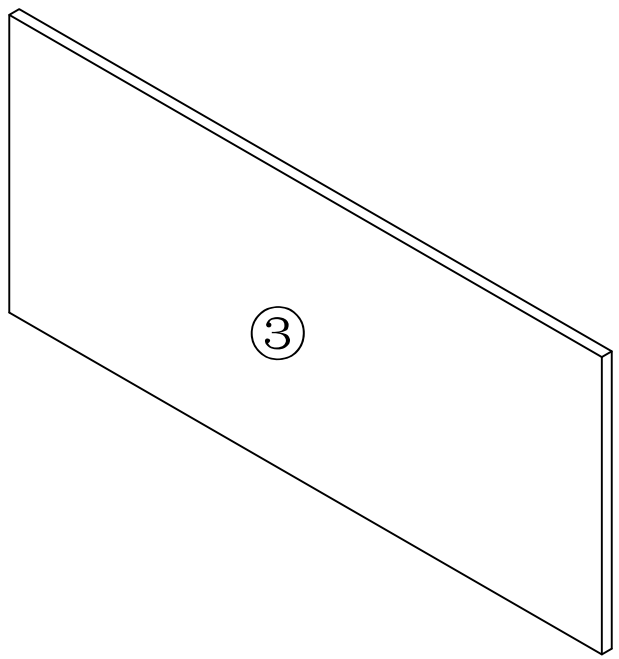
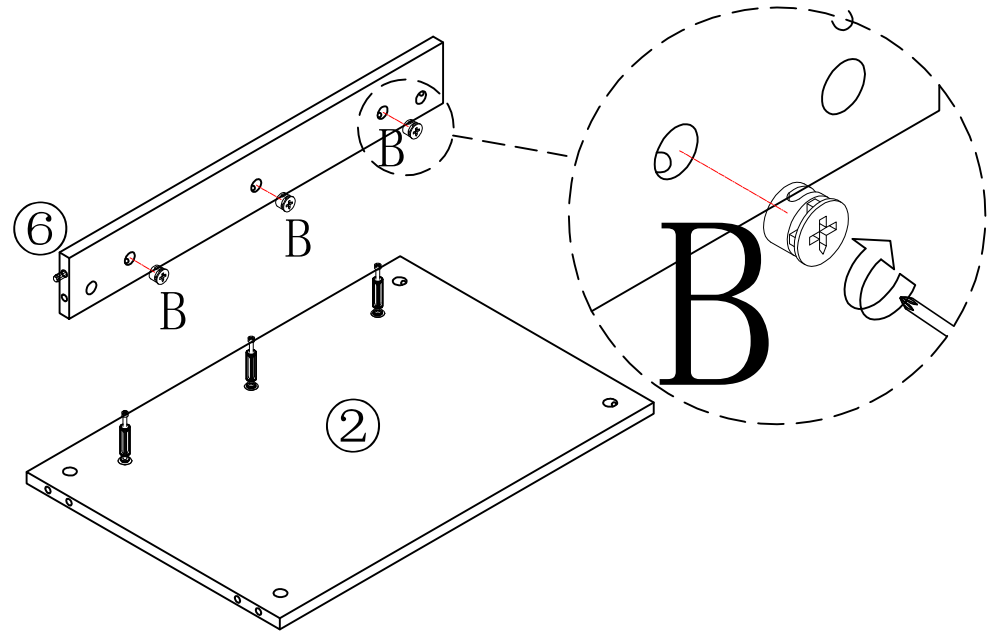



	A*9
	C*6

put A on board ② ⑨ ⑫
 put C on board ② ⑬

3

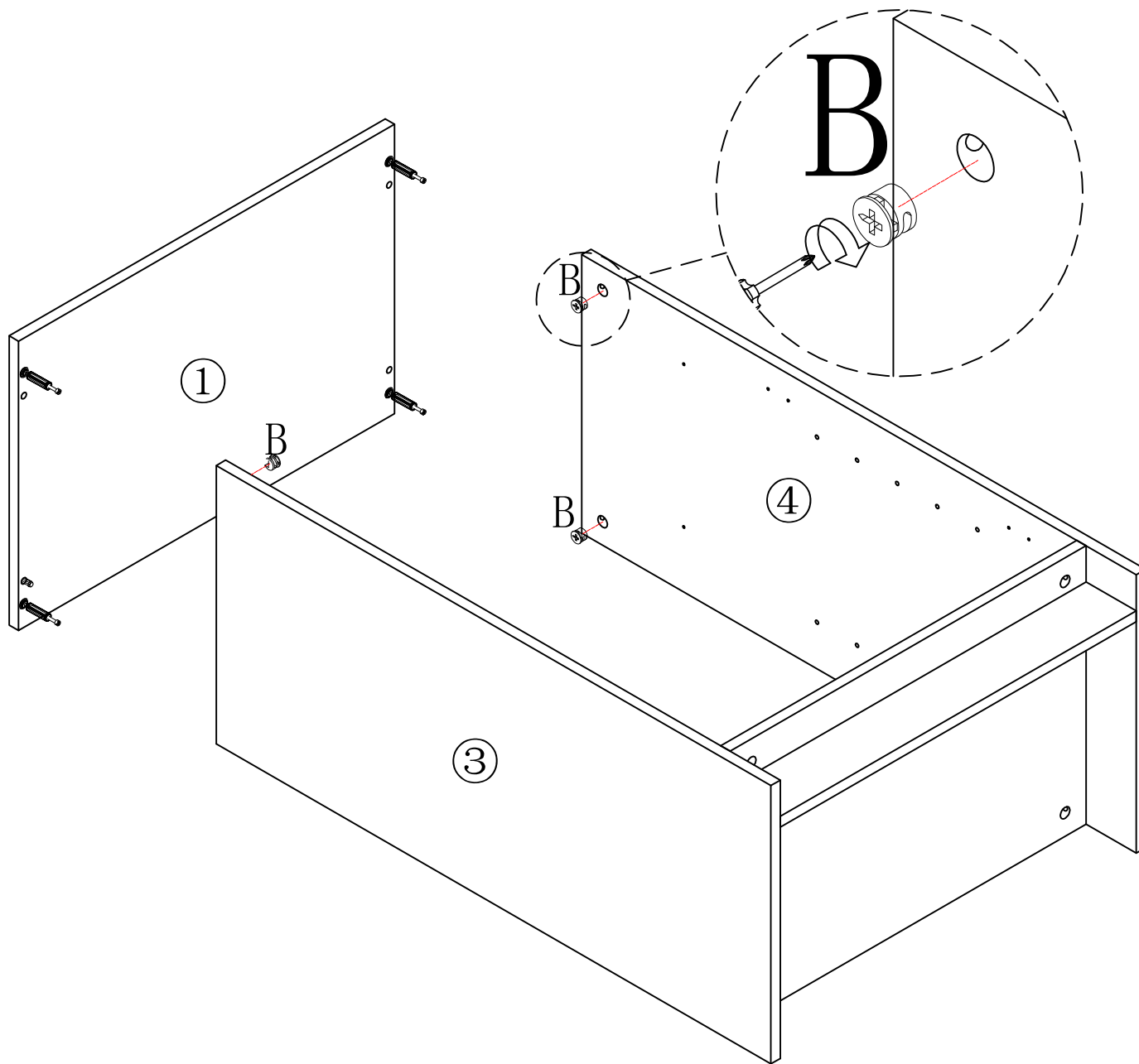
Make sure the arrow on the screw align to the hole on the side



	<p>B*9</p>
---	------------

put B on board 2 6

4

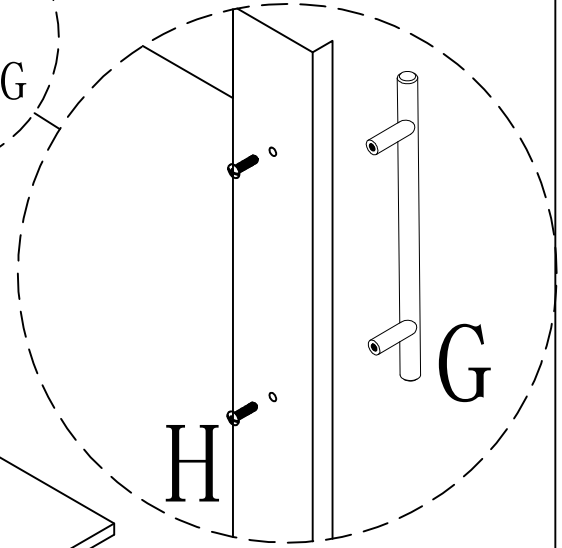
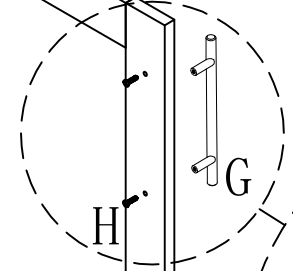
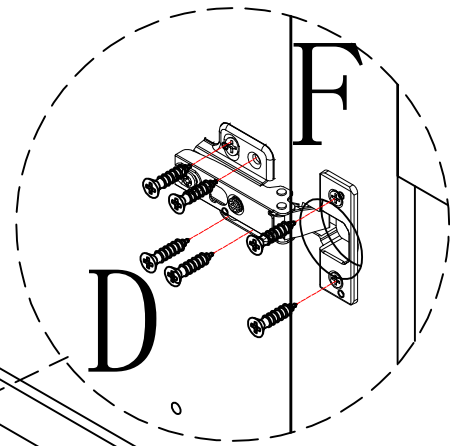
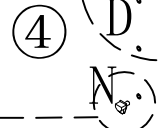
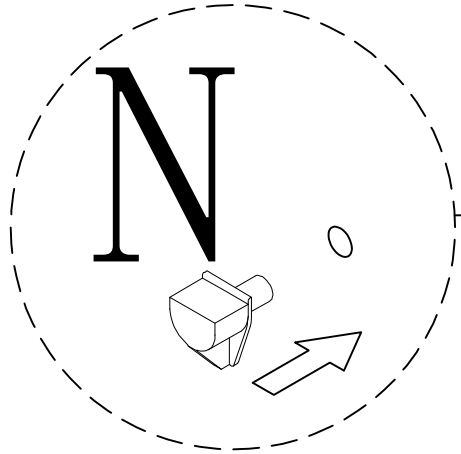
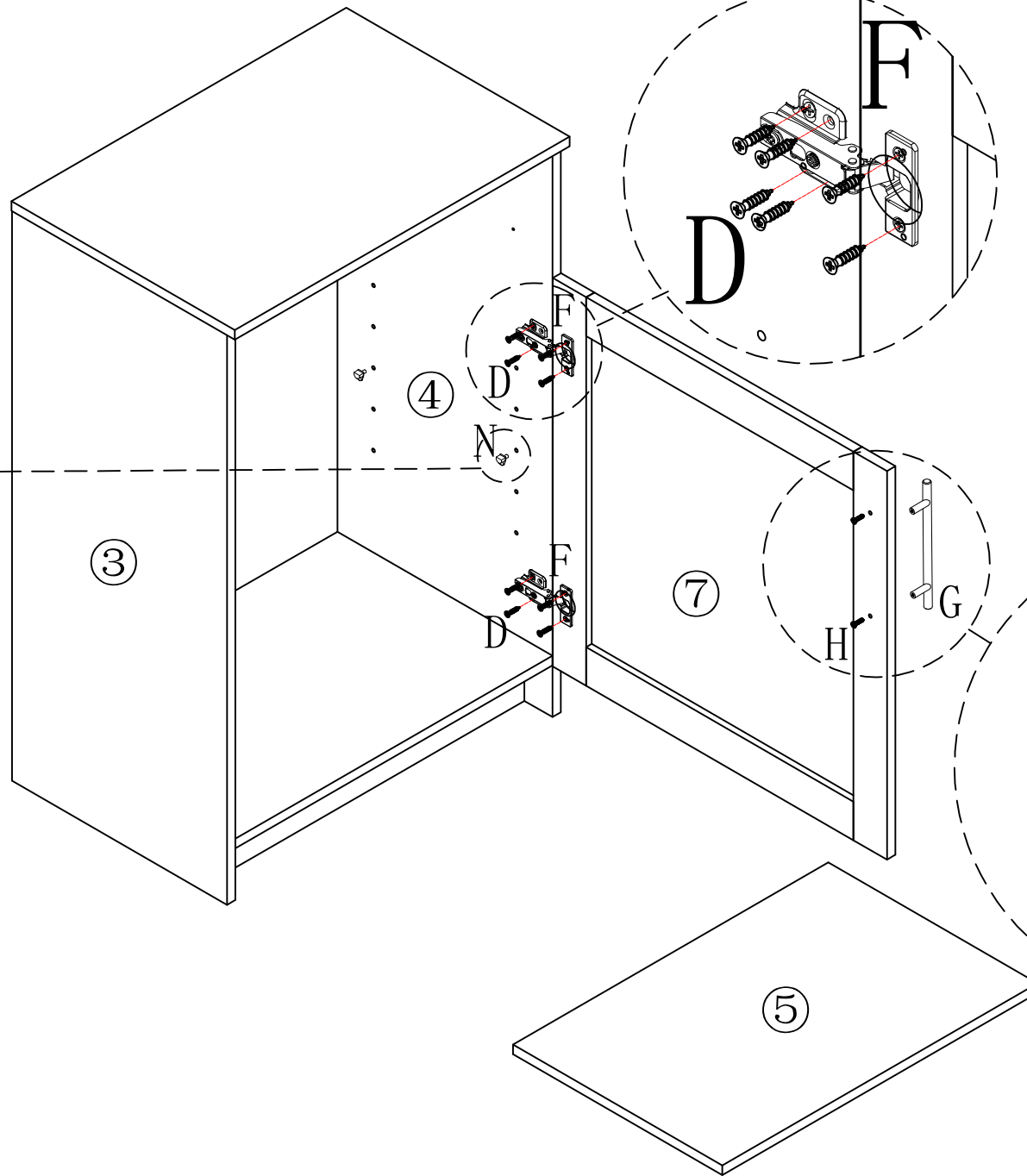




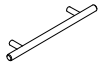


put B on board ③ ④



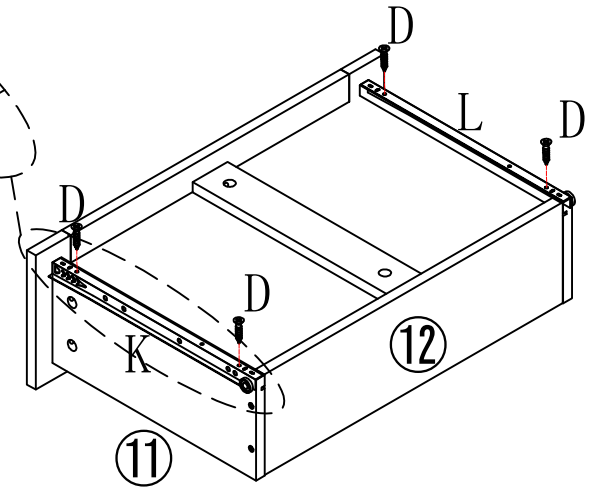
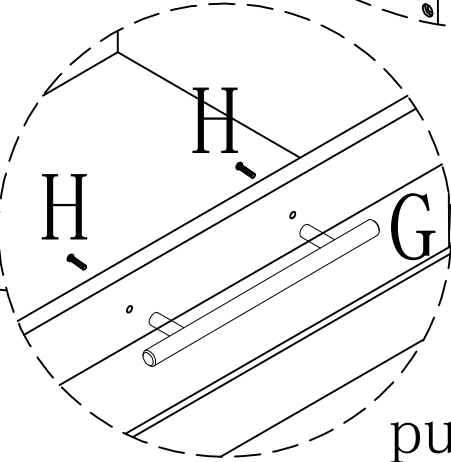
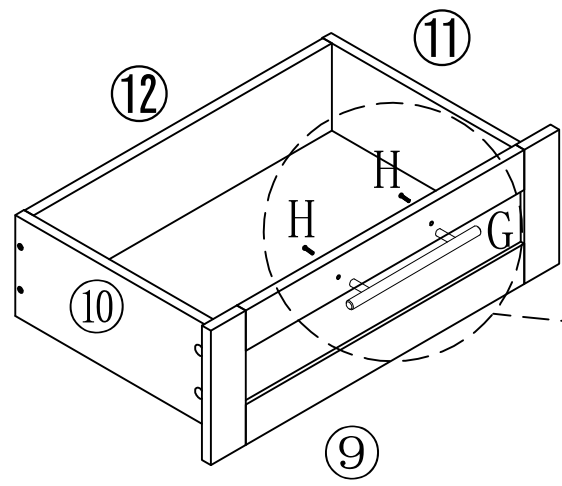
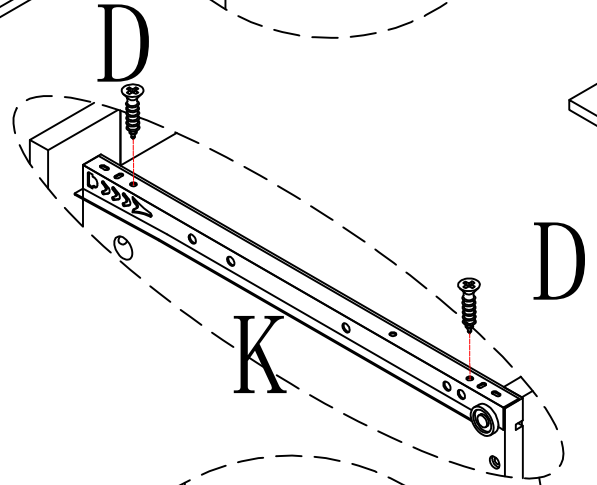
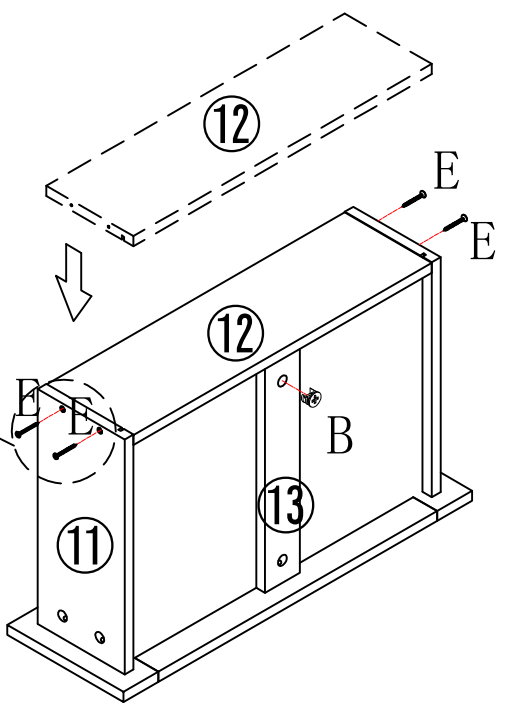
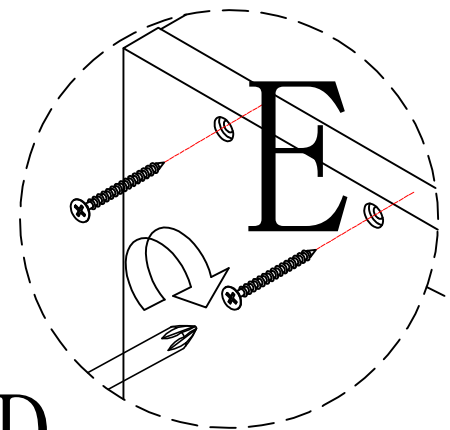
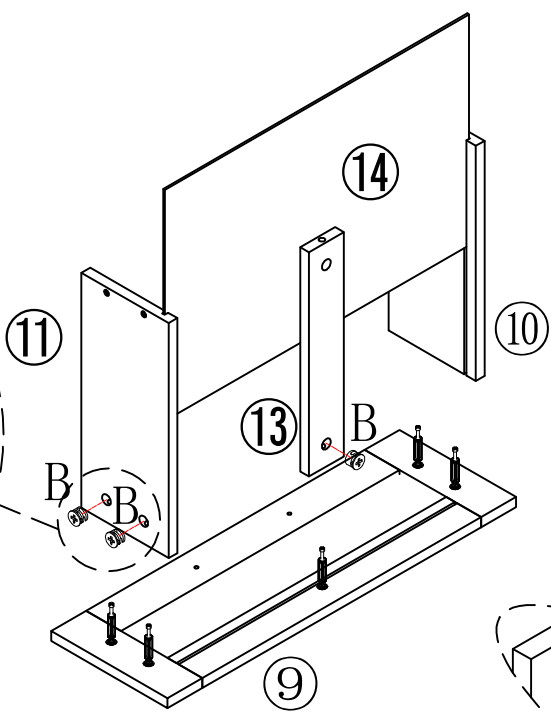
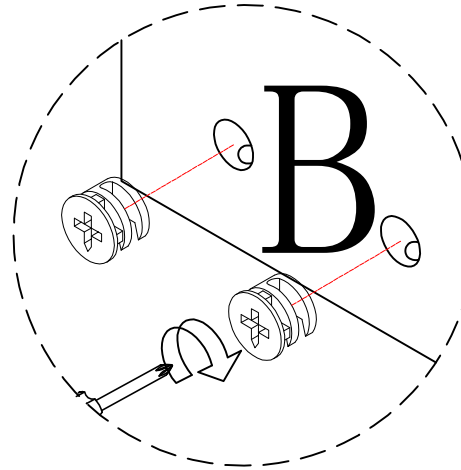
B*4



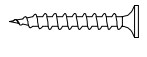
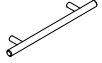

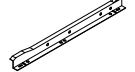
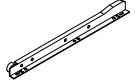
5



	D*12
	F*2
	G*1
	H*2
	N*4

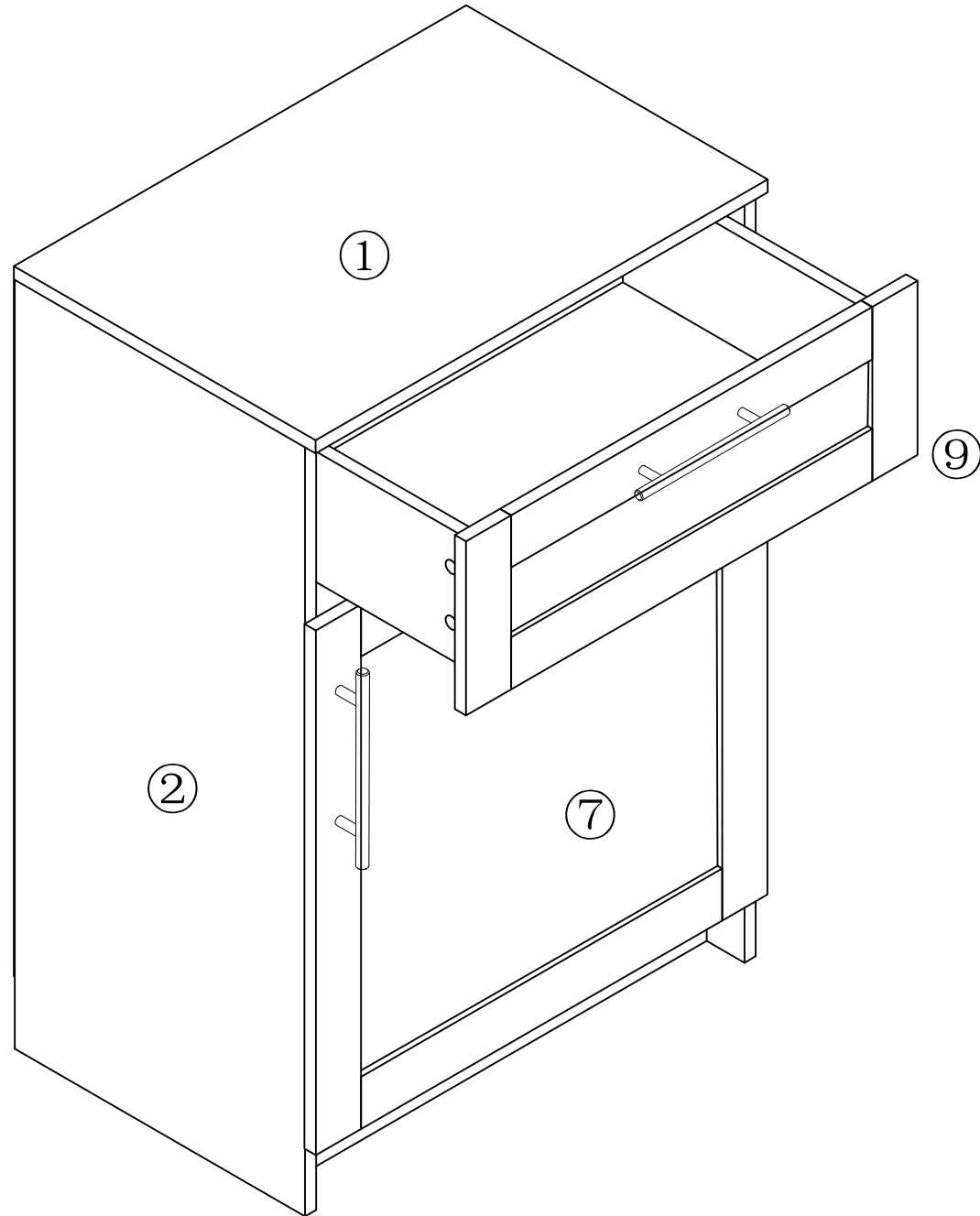
6



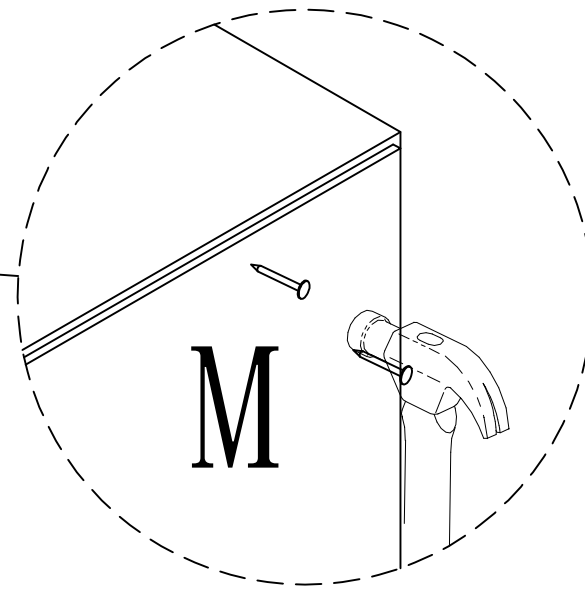
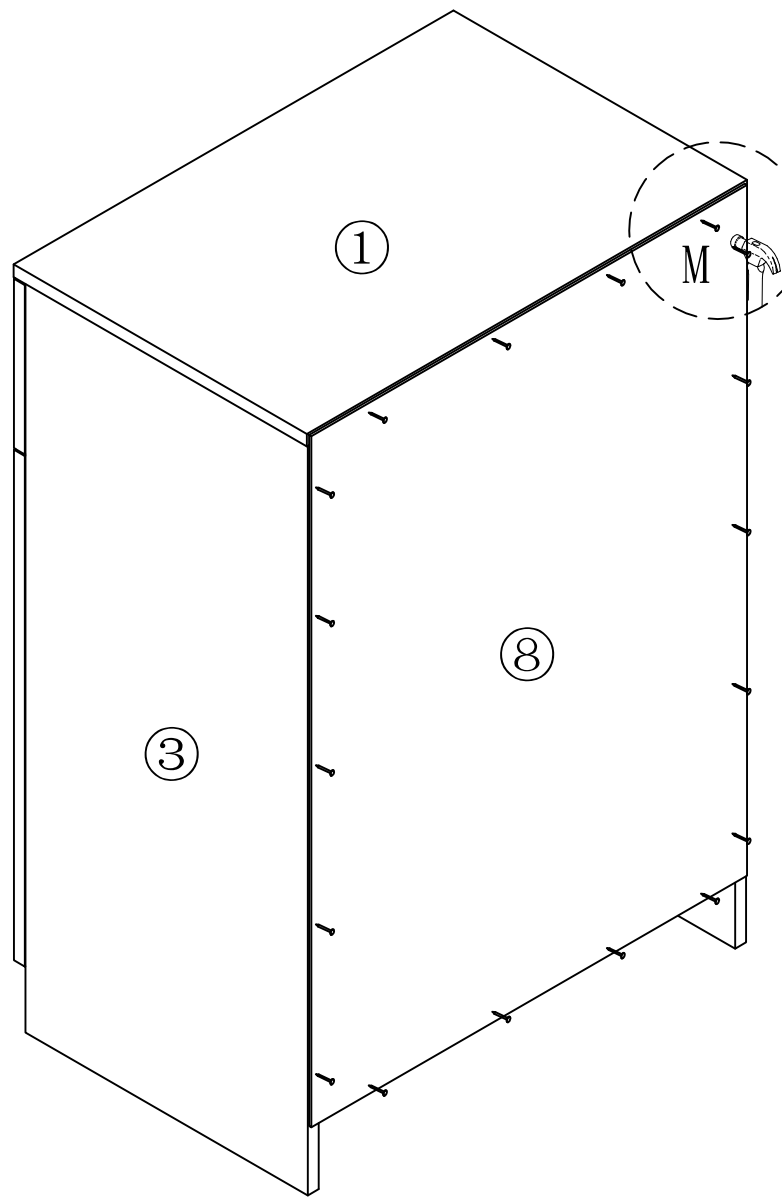
	B*6
	D*8
	E*4
	G*1
	H*2
	K*1
	L*1

put B on board 11 10

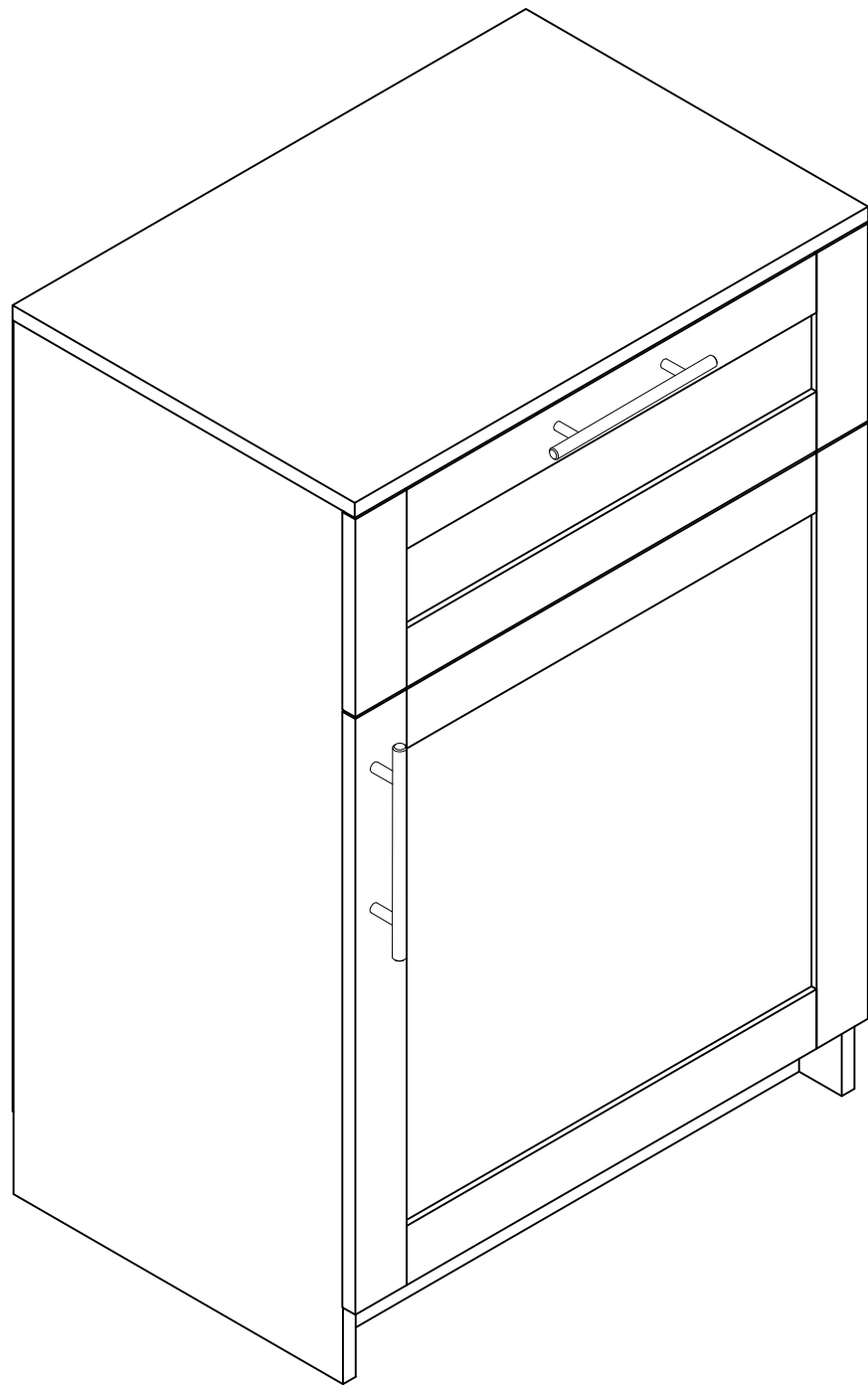
7



8



M*18



END