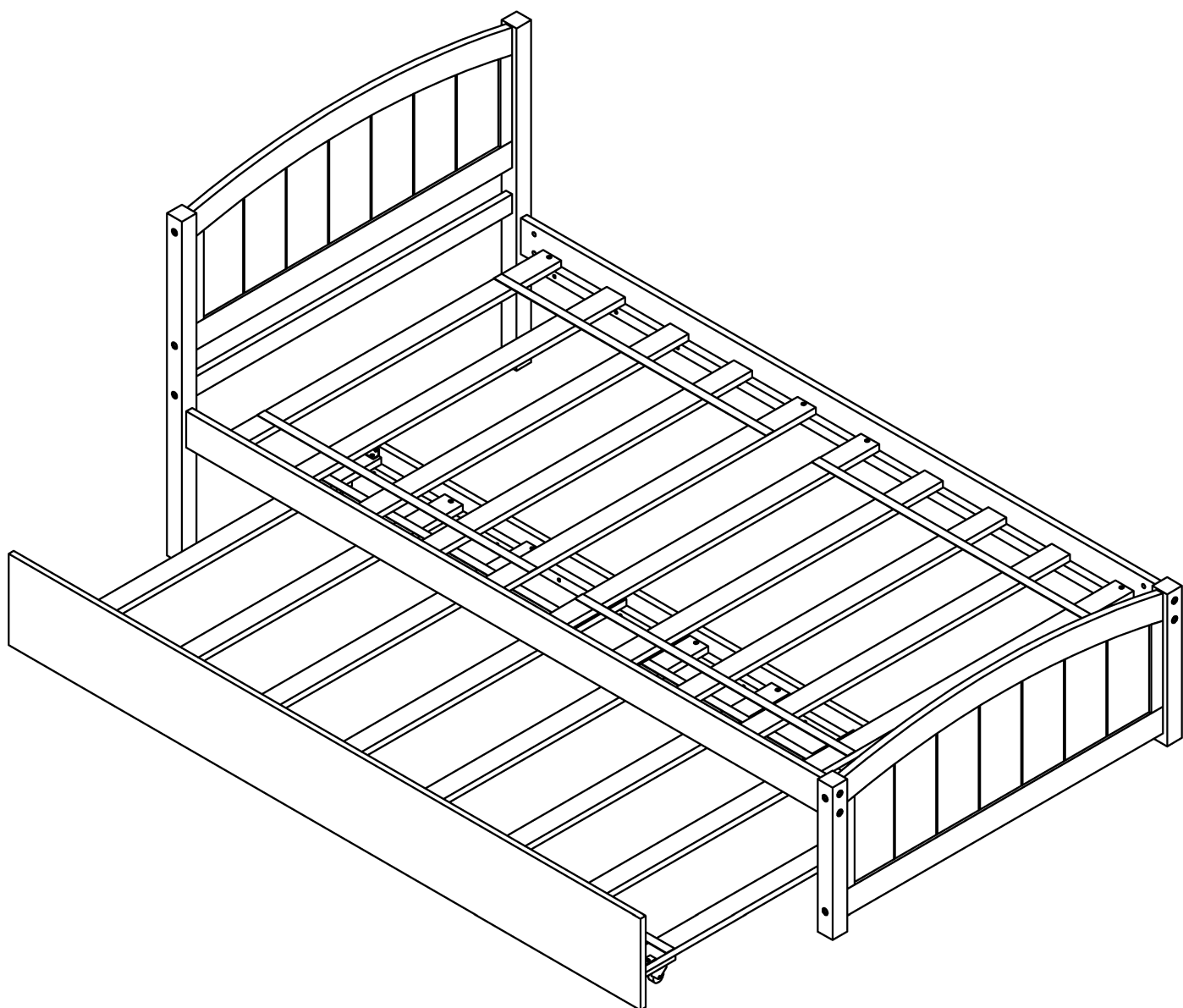
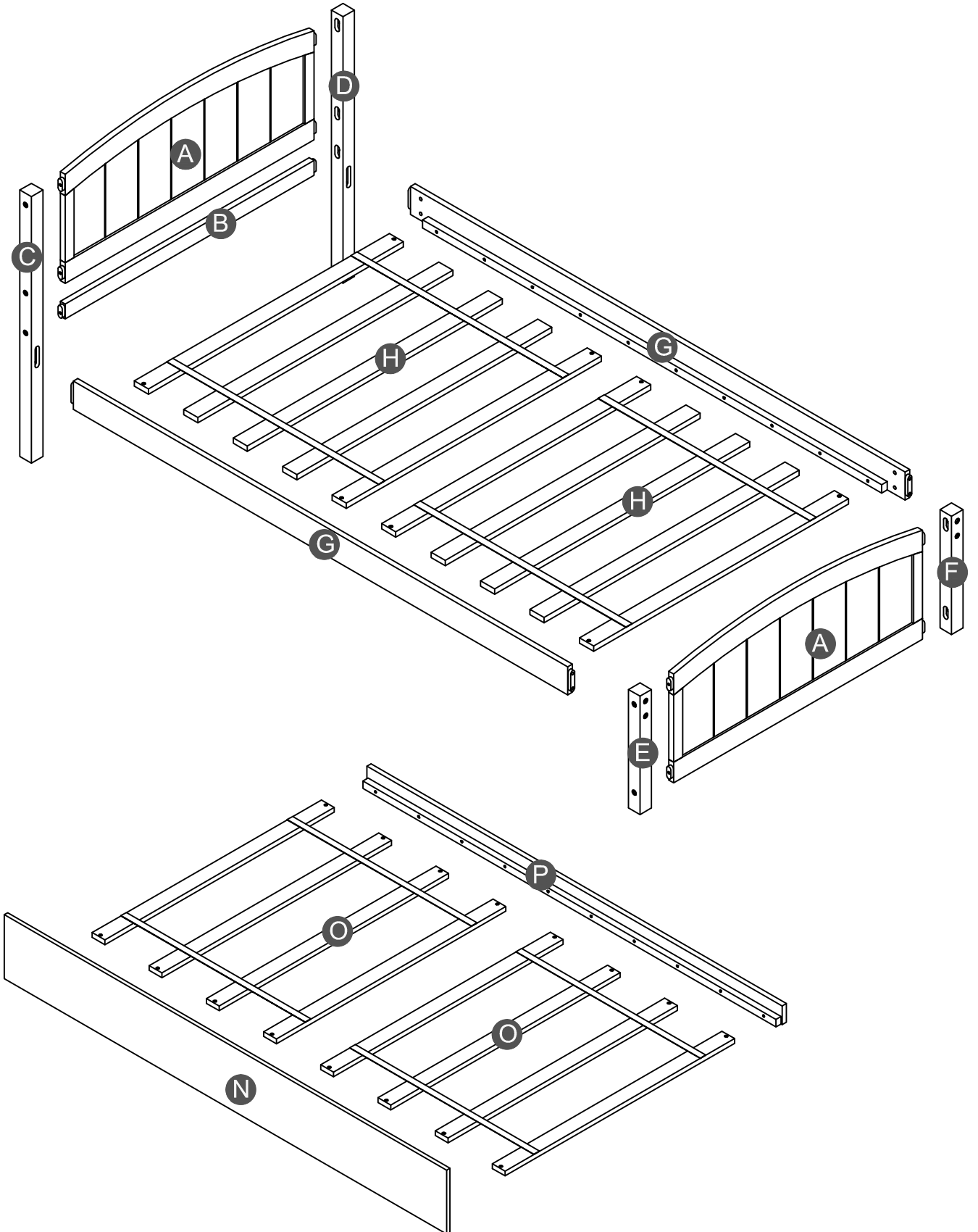


ASSEMBLY INSTRUCTIONS

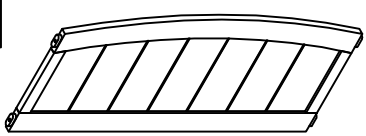
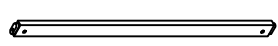
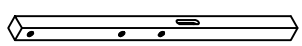

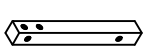
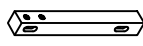

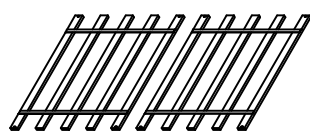
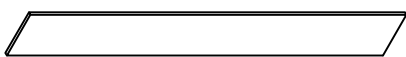
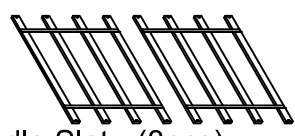
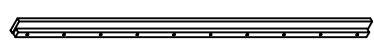
TWIN BED WITH TRUNDLE



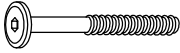
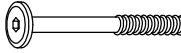


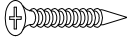
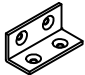
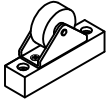


Detail View



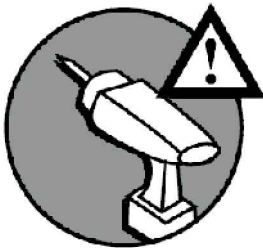
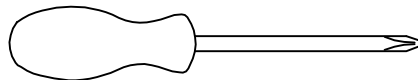
Part List

<p>A</p>  <p>Headboard & Footboard - 2pcs</p>	<p>B</p>  <p>Headboard horizontal bar - 1pc</p>	<p>C</p>  <p>Leg headboard(Left) - 1pc</p>
<p>D</p>  <p>Leg headboard(Right) - 1pc</p>	<p>E</p>  <p>Leg footboard(Right) - 1pc</p>	<p>F</p>  <p>Leg footboard(Left) - 1pc</p>
<p>G</p>  <p>Side rail - 2pcs</p>	<p>H</p>  <p>Slat - (10pcs)</p>	<p>N</p>  <p>Trundle front panel - 1pc</p>
<p>O</p>  <p>Trundle Slat - (8pcs)</p>	<p>P</p>  <p>Trundle back panel - 1pc</p>	

Hardware List

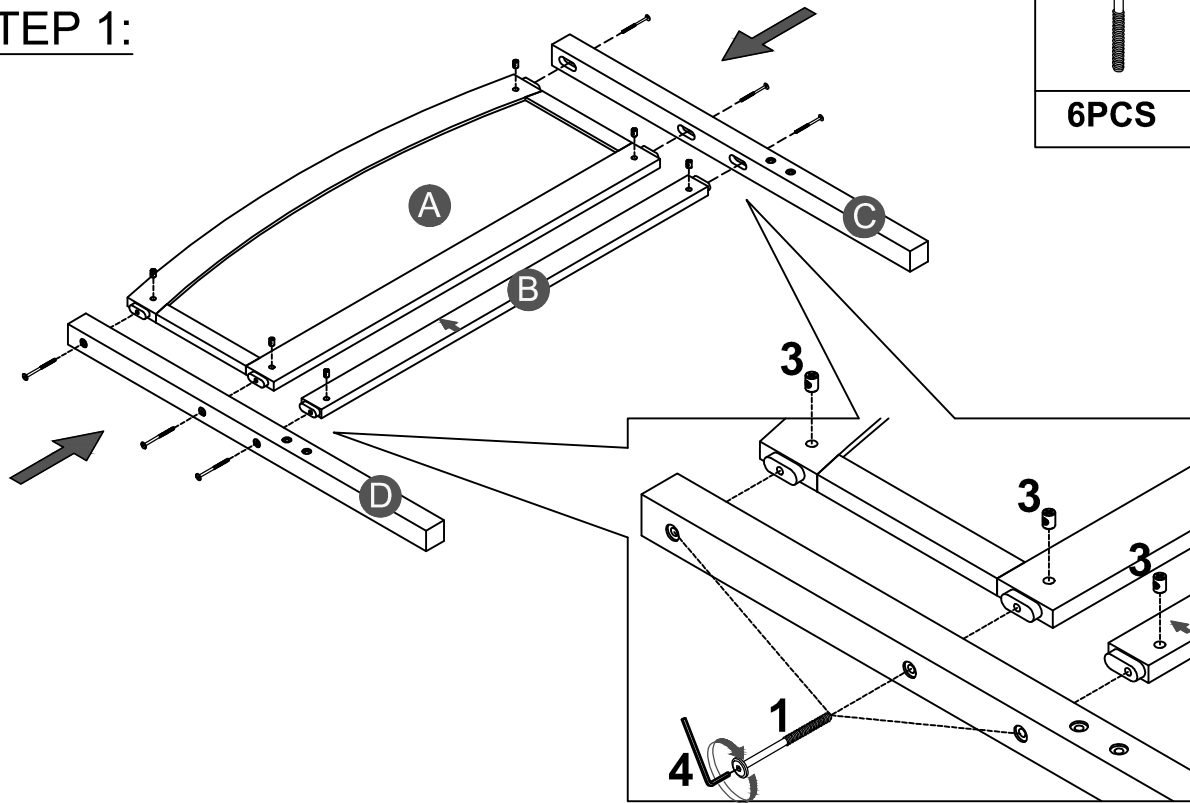
1  (Ø15)1/4"*80mm Hex-Head bolts (10pcs)	2  (Ø15)1/4"*100mm Hex-Head bolts (8pcs)	3  1/4"*15 (9.5mm) Horizontal-Hole bolts(18pcs)
4  (1/4")4.5*58mm Allen key (1pc)	5  Ø4*30mm Wood screws (32pcs)	6  40*18*18*2mm Metal bracket (2pcs)
7  100*63*20mm Wheels (4pcs)	8  95*95*18*3mm Metal bracket (2pcs)	9  Ø3.5*15mm Wood screws (16pcs)



ASSEMBLY TOOLS REQUIRED (NOT INCLUDED)



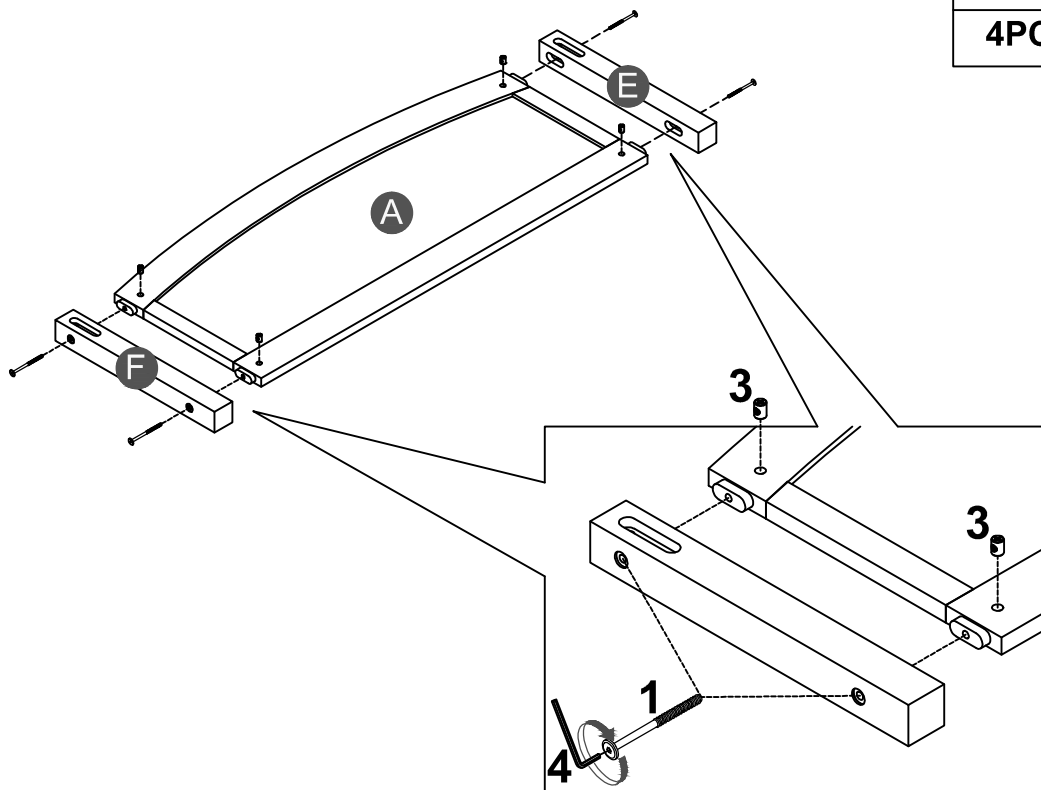
PLEASE BE CAREFUL DO NOT DAMAGE THE HOLE POSITION WHEN YOU USE POWER TOOLS !



STEP 1:





1		3	
6PCS		6PCS	

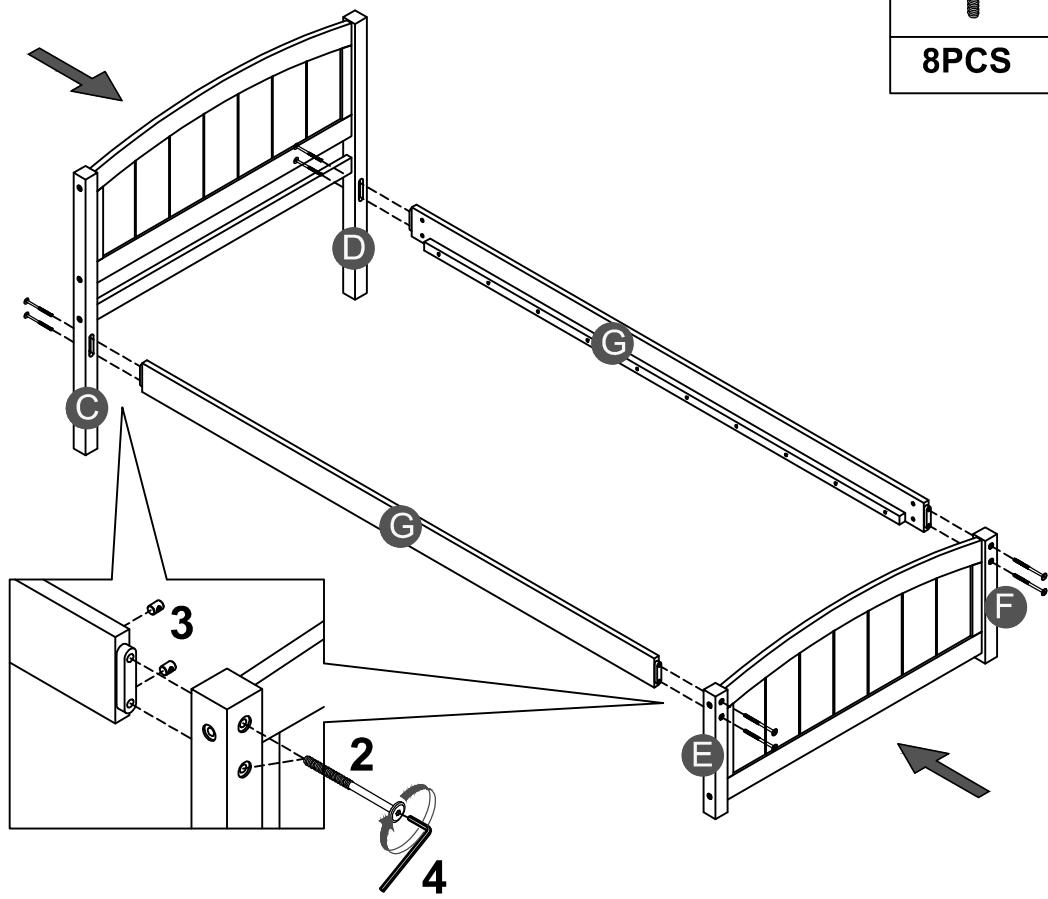
STEP 2:




1		3	
4PCS		4PCS	

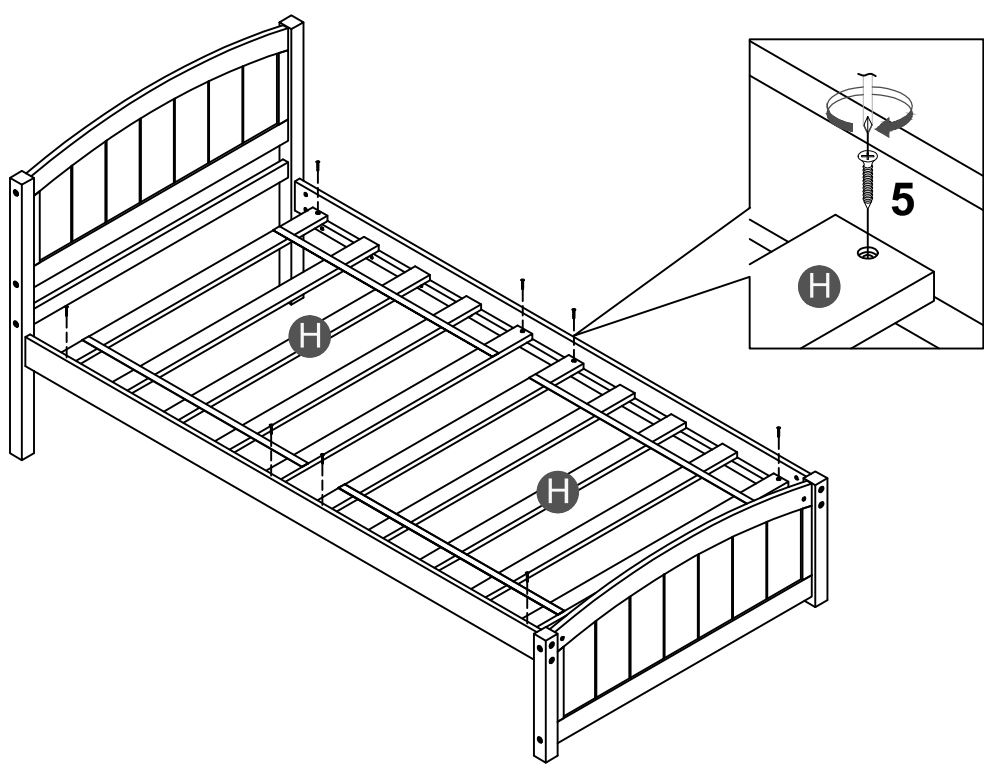
STEP 3:

2		3	
8PCS		8PCS	

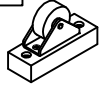



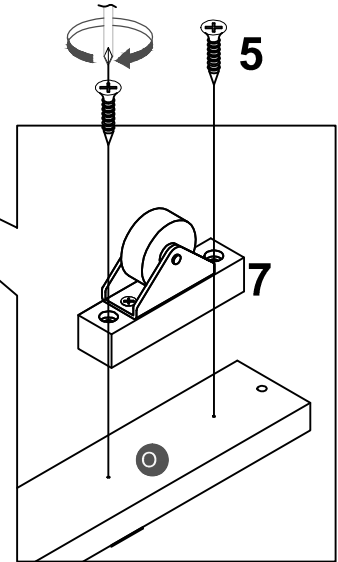
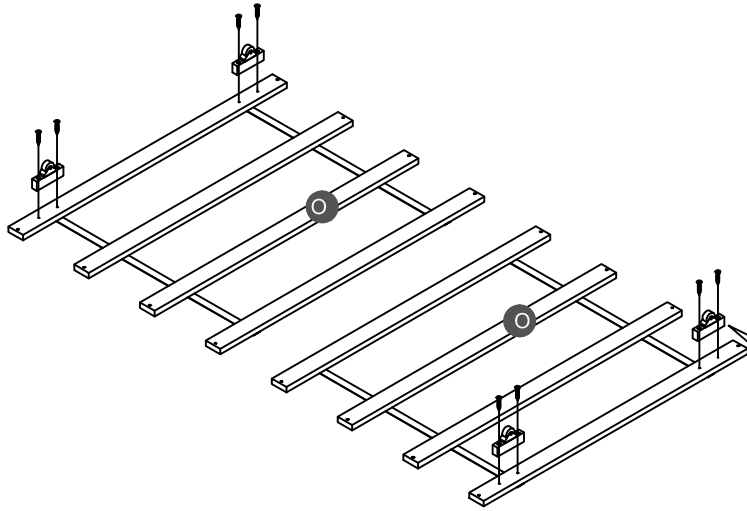
STEP 4:

5	
8PCS	




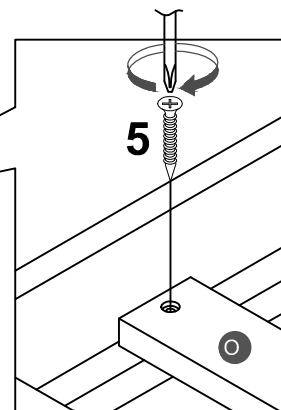
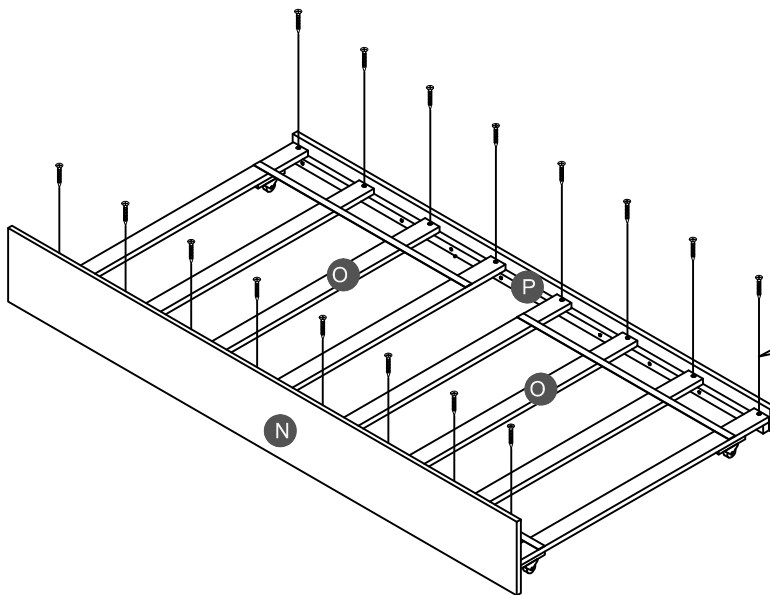
STEP 5:

7	5
	
4PCS	8PCS





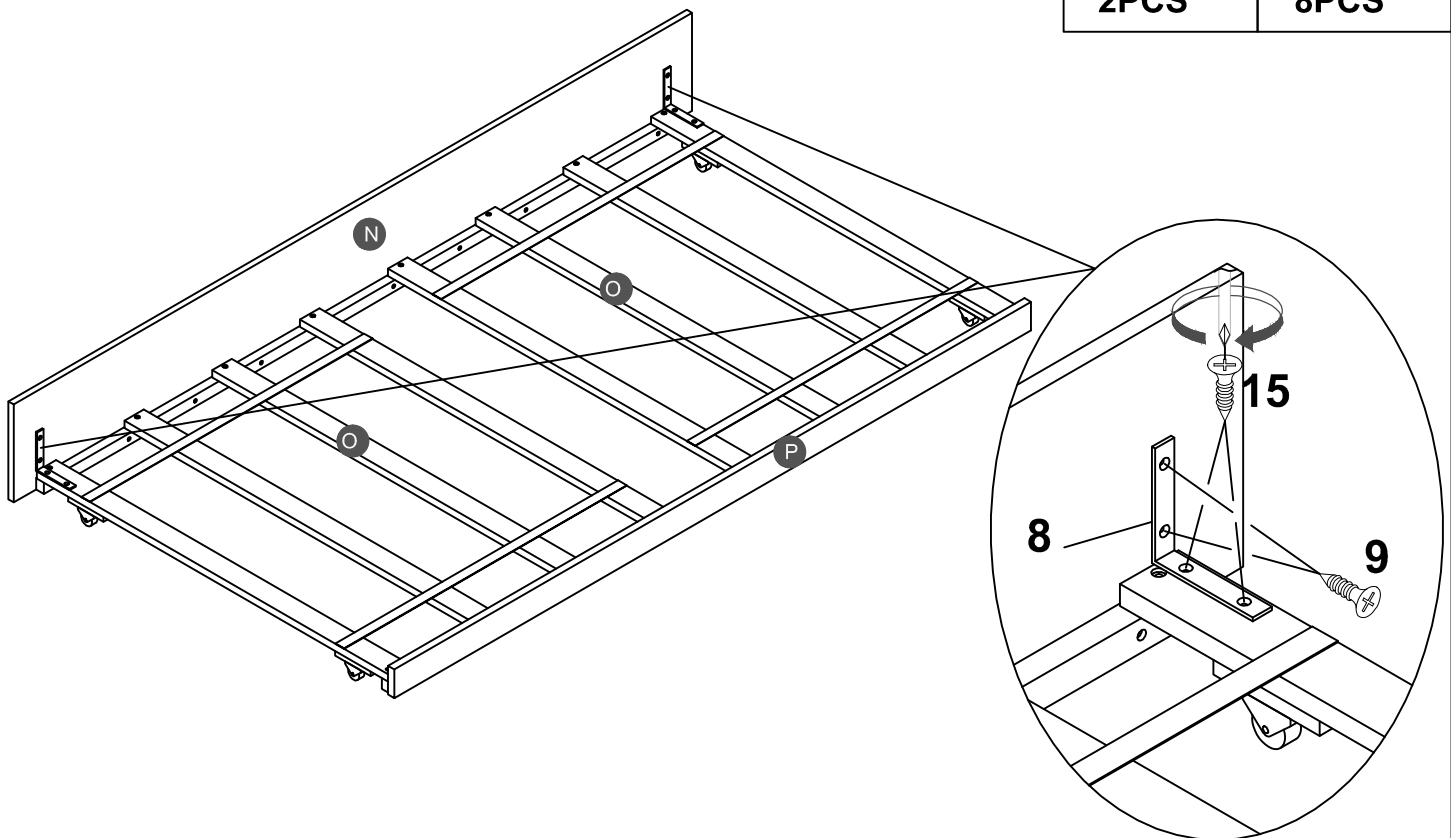
STEP 6:

5

16PCS

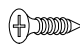
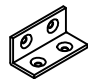


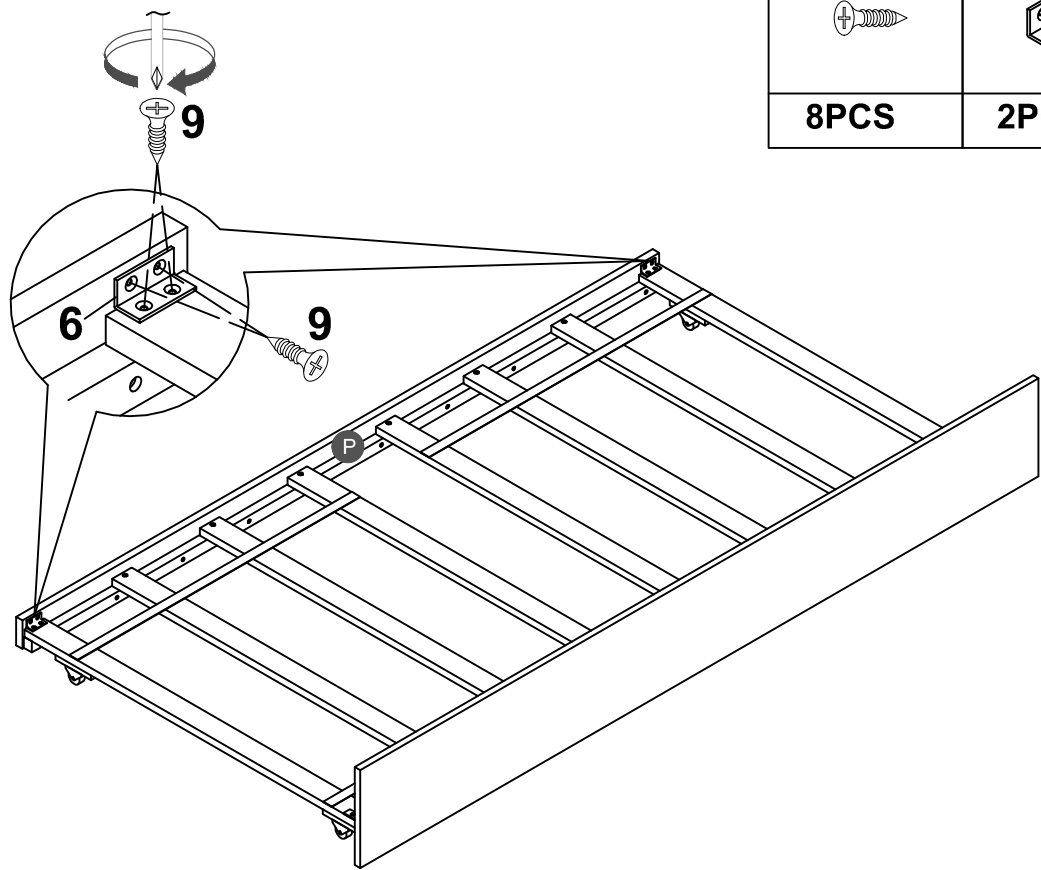
STEP 7:

8	9
	
2PCS	8PCS

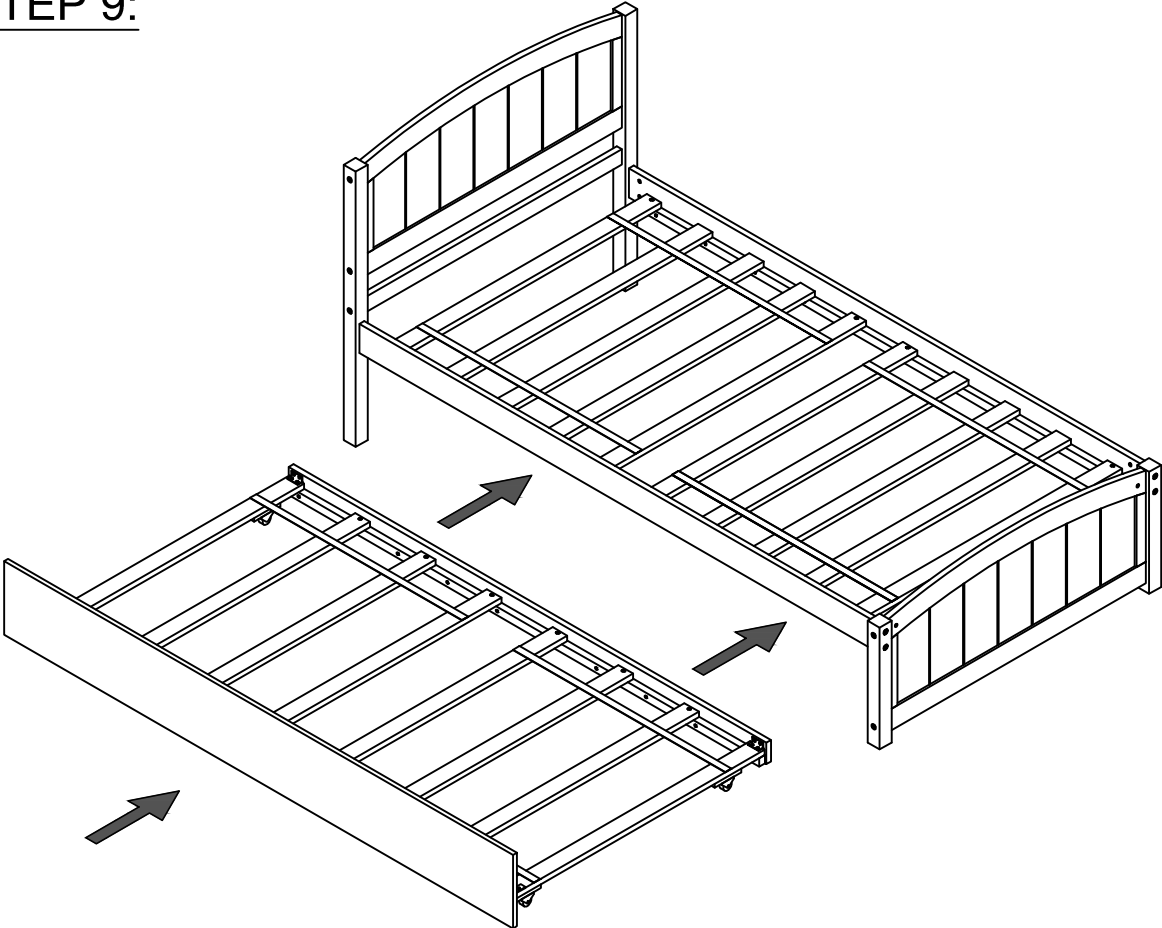


STEP 8:

9	6
	
8PCS	2PCS



STEP 9:



Push Trundle under the bottom of Twin Bed.

