

# ASSEMBLY INSTRUCTIONS



REVISED 0: 04/01/2025

# SOFA

# ASSEMBLY INSTRUCTIONS

## ASSEMBLY TIPS:

1. Remove hardware from box and sort by size.
2. Please check to see that all hardware and parts are present prior to start of assembly.
3. Please follow attached instructions in the same sequence as numbered to assure fast and easy assembly.



### WARNING!

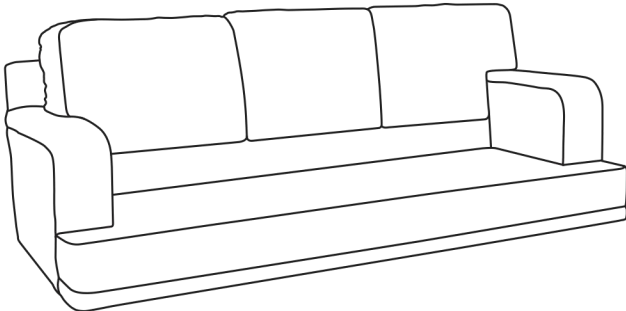
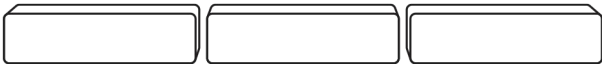



1. Don't attempt to repair or modify parts that are broken or defective. Please contact the store immediately.
2. This product is for home use only and not intended for commercial establishments.



ASSEMBLY TIME

**15**  
MINUTES

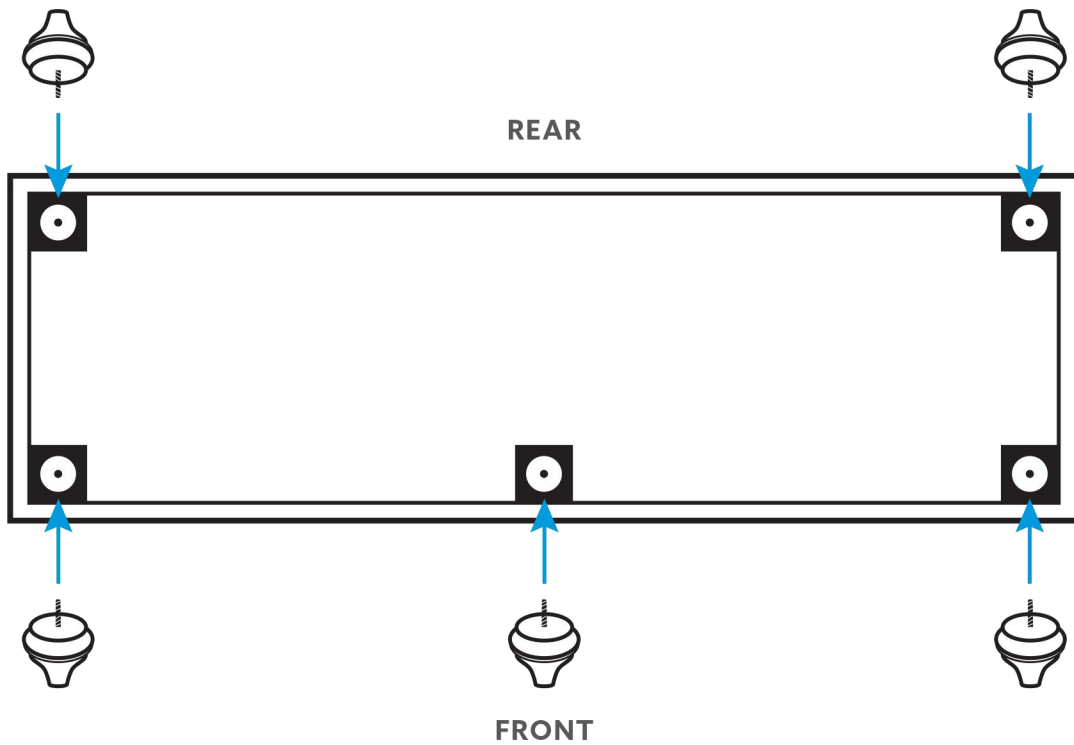
## PARTS IDENTIFICATION

	PART NAME	FIGURE	QUANTITY
<b>A</b>	<b>SOFA BASE</b>	 <p><i>Please note back cushions should already be attached to sofa base.</i></p>	<b>1 PC</b>
<b>B</b>	<b>SEAT CUSHION</b>		<b>3 PCS</b>
<b>C</b>	<b>ACCENT PILLOW</b>		<b>4 PCS</b>
<b>D</b>	<b>KIDNEY PILLOW</b>		<b>1 PC</b>
<b>E</b>	<b>LEG</b>		<b>5 PCS</b>

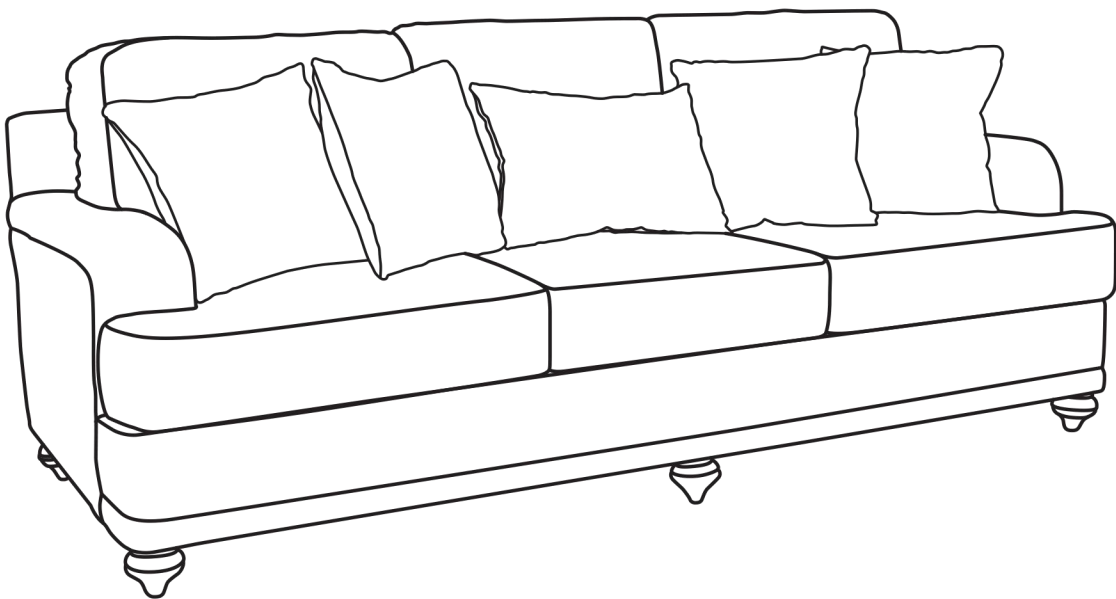
SOFA

## ASSEMBLY INSTRUCTIONS

**STEP 1** *Install front and rear legs on underside of sofa base.*

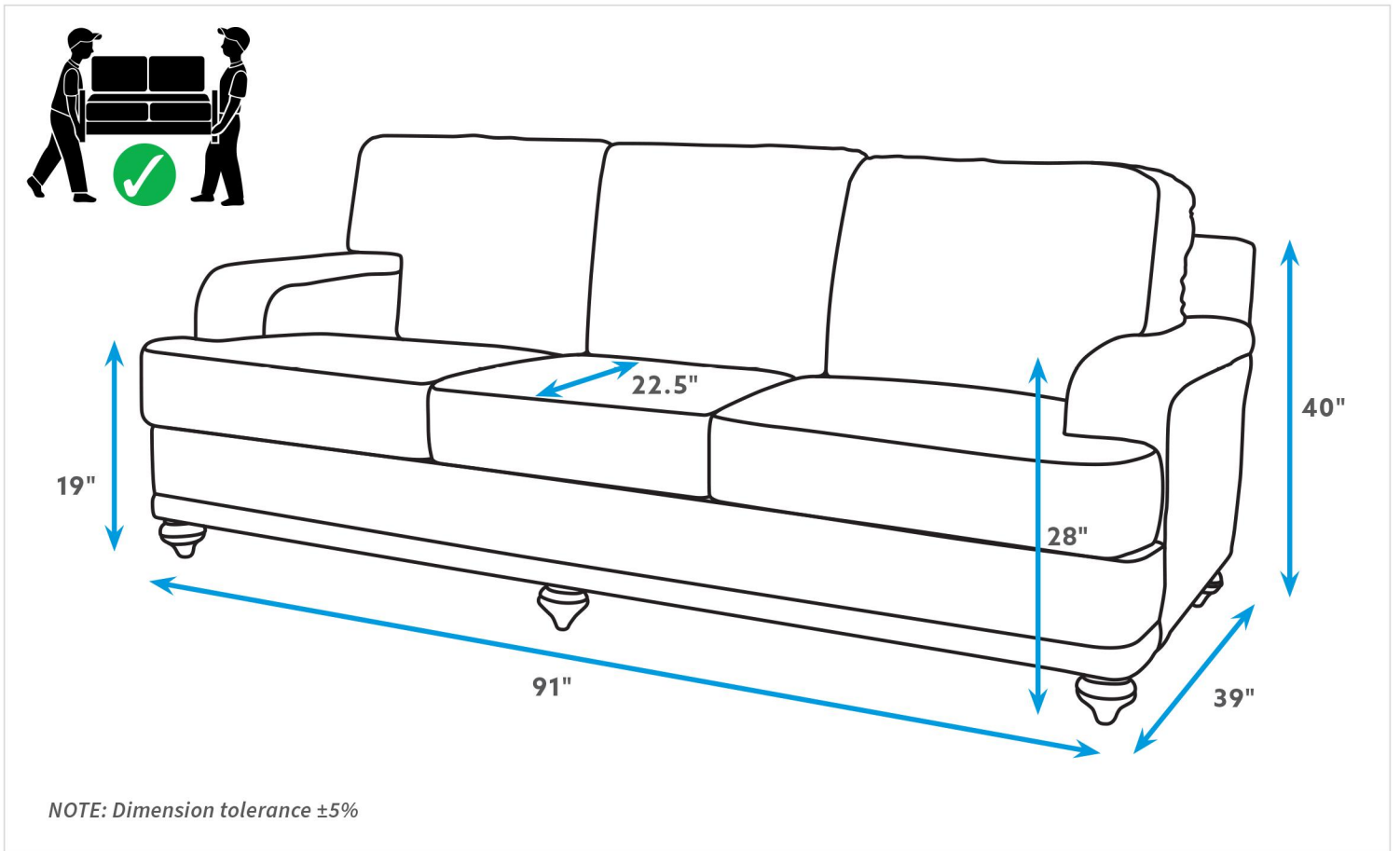


**STEP 2** COMPLETE



SOFA

## DIMENSIONS



# ASSEMBLY INSTRUCTIONS



REVISED 0: 04/01/2025

# LOVESEAT

LOVESEAT

# ASSEMBLY INSTRUCTIONS

**ASSEMBLY TIPS:**

1. Remove hardware from box and sort by size.
2. Please check to see that all hardware and parts are present prior to start of assembly.
3. Please follow attached instructions in the same sequence as numbered to assure fast and easy assembly.



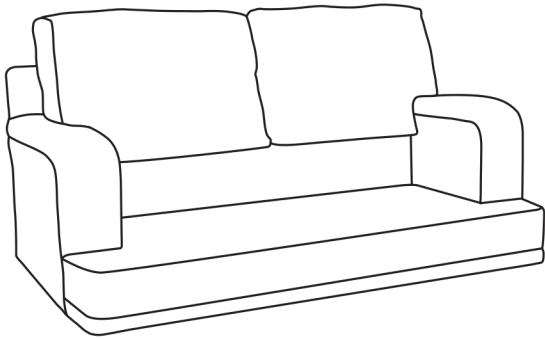



**WARNING!**

1. Don't attempt to repair or modify parts that are broken or defective. Please contact the store immediately.
2. This product is for home use only and not intended for commercial establishments.



**ASSEMBLY TIME**  
**15**  
MINUTES

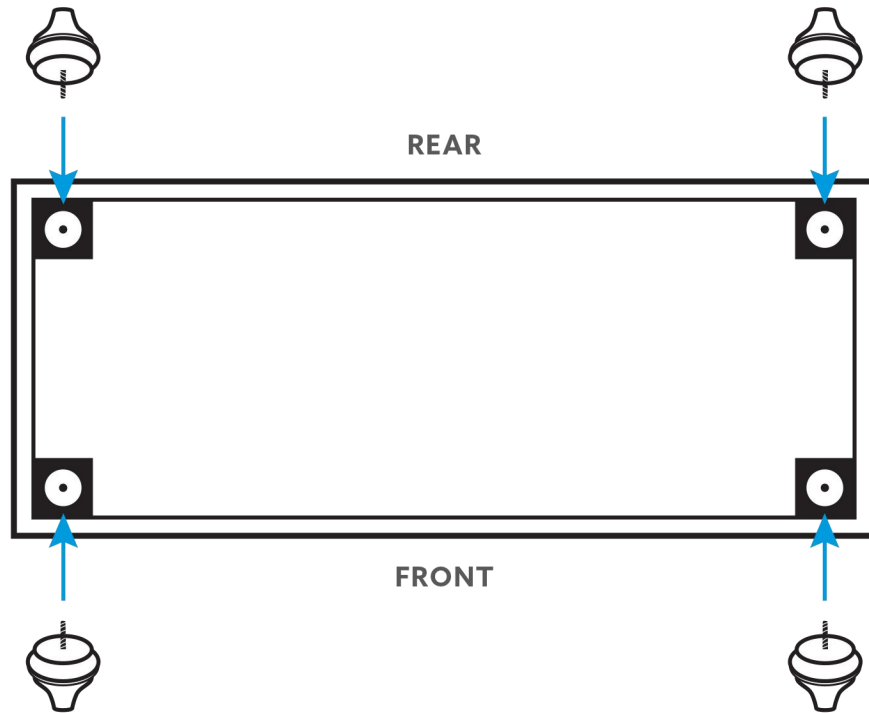
## PARTS IDENTIFICATION

	PART NAME	FIGURE	QUANTITY
<b>A</b>	LOVESEAT BASE	 <p><i>Please note back cushions should already be attached to loveseat base.</i></p>	1 PC
<b>B</b>	SEAT CUSHION		2 PCS
<b>C</b>	ACCENT PILLOW		2 PCS
<b>D</b>	LEG		4 PCS

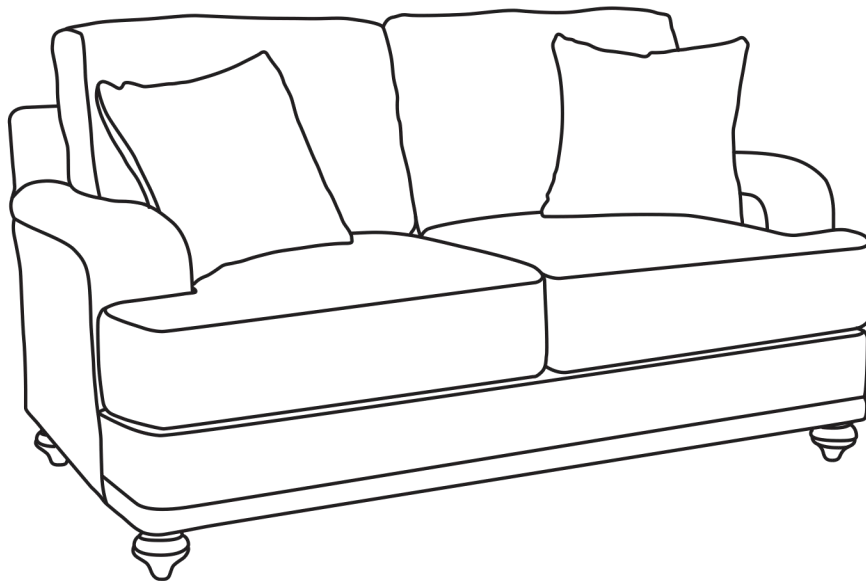
LOVESEAT

## ASSEMBLY INSTRUCTIONS

**STEP 1** *Install front and rear legs on underside of loveseat base.*

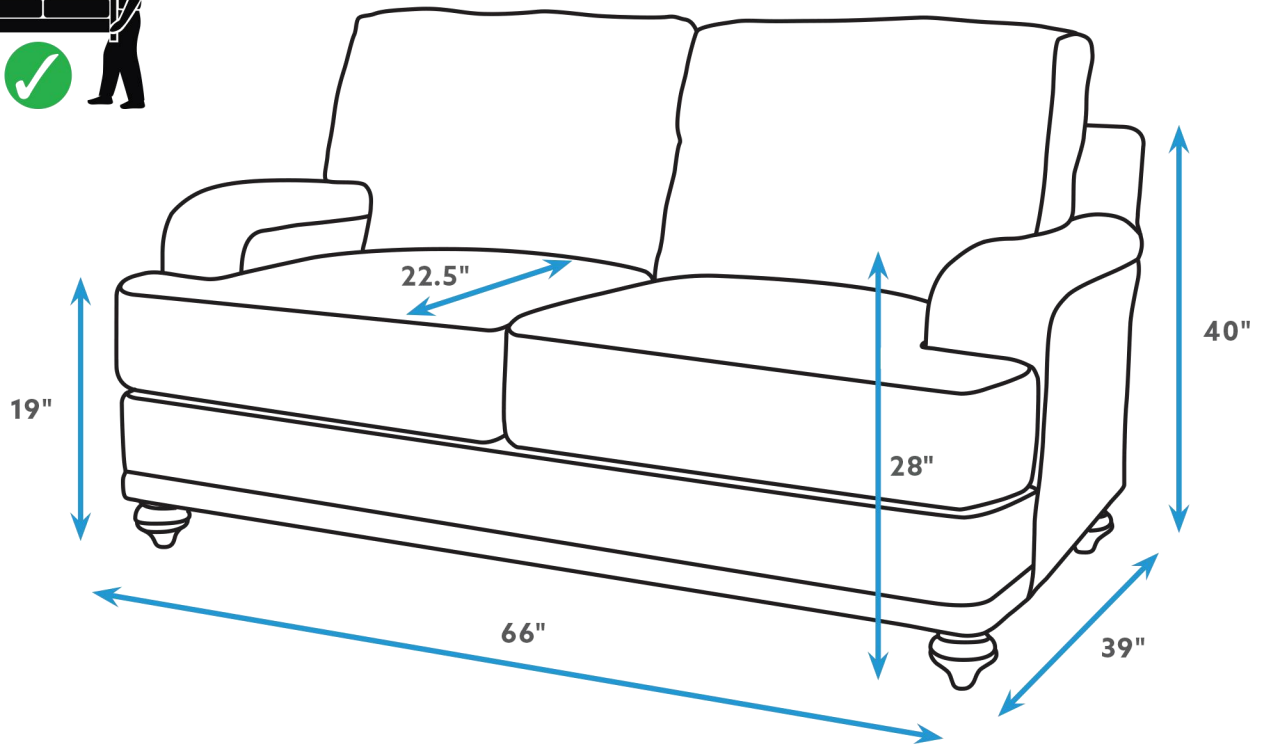


**STEP 2** COMPLETE



LOVESEAT

**DIMENSIONS**



NOTE: Dimension tolerance  $\pm 5\%$

# ASSEMBLY INSTRUCTIONS



REVISED 0: 04/01/2025

# ACCENT CHAIR

# ACCENT CHAIR

## ASSEMBLY INSTRUCTIONS

### ASSEMBLY TIPS:

1. Remove hardware from box and sort by size.
2. Please check to see that all hardware and parts are present prior to start of assembly.
3. Please follow attached instructions in the same sequence as numbered to assure fast and easy assembly.



### WARNING!

1. Don't attempt to repair or modify parts that are broken or defective. Please contact the store immediately.
2. This product is for home use only and not intended for commercial establishments.

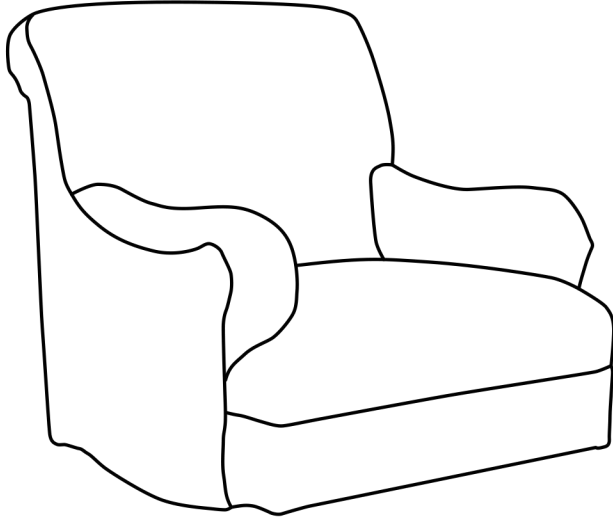



ASSEMBLY TIME

8

MINUTES

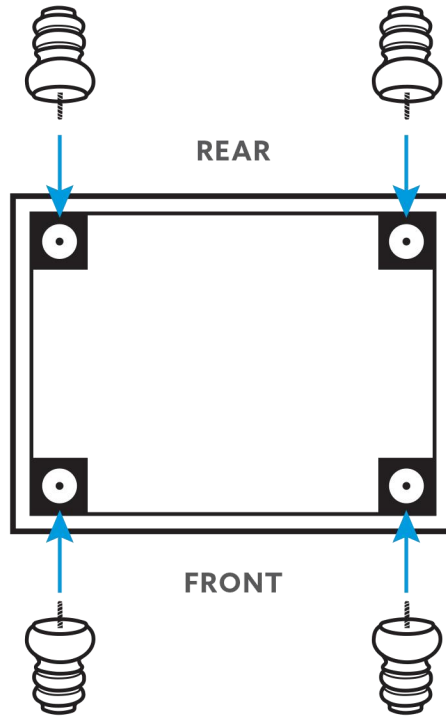
## PARTS IDENTIFICATION

	PART NAME	FIGURE	QUANTITY
<b>A</b>	CHAIR BASE		1 PC
<b>B</b>	LEG		4 PCS

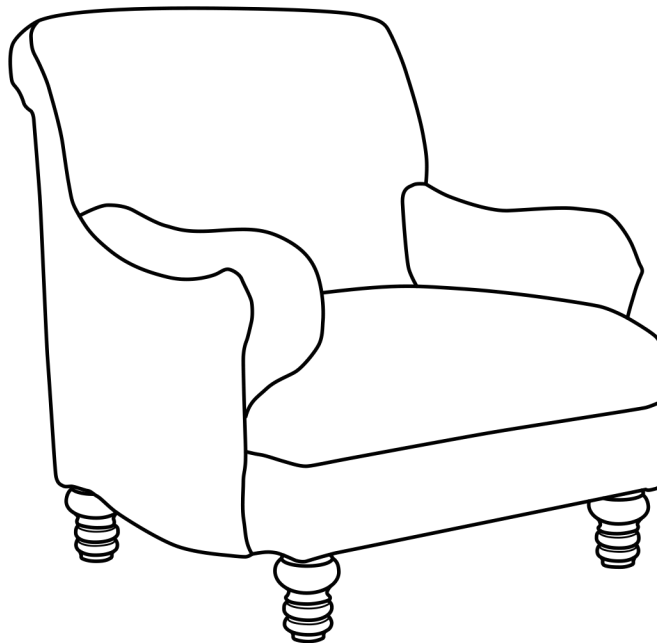
ACCENT CHAIR

**ASSEMBLY INSTRUCTIONS**

**STEP 1** *Install front and rear legs on underside of chair base.*

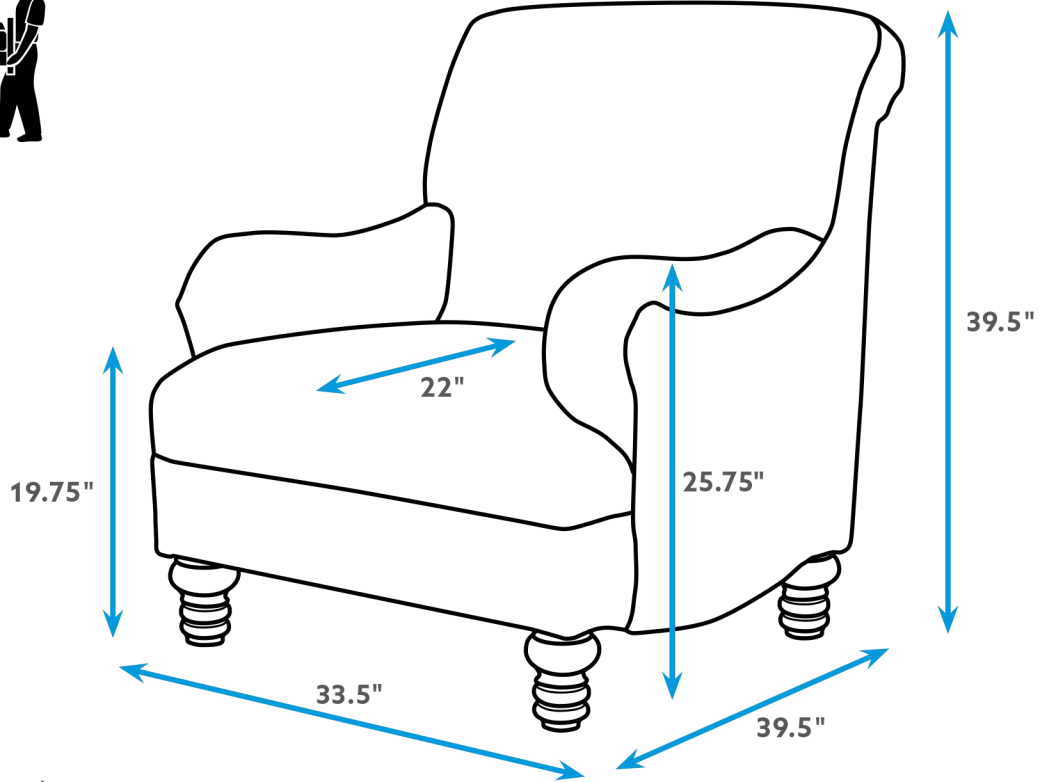


**STEP 2** **COMPLETE**



ACCENT CHAIR

**DIMENSIONS**



NOTE: Dimension tolerance  $\pm 5\%$