



furnishing better lives together [®]

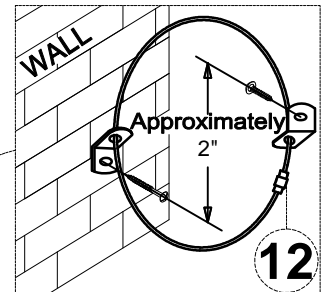
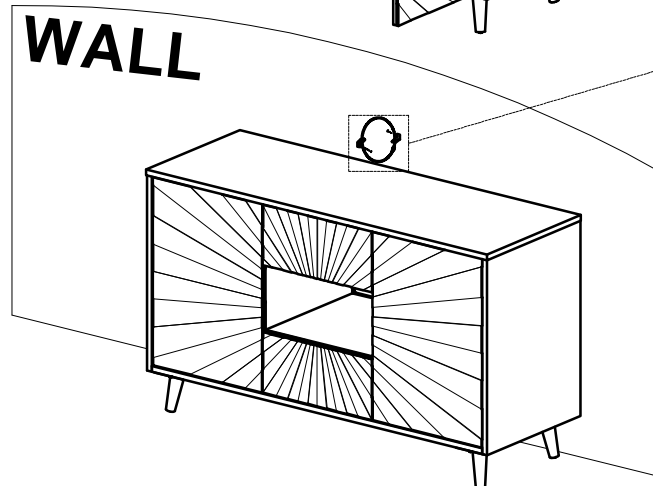
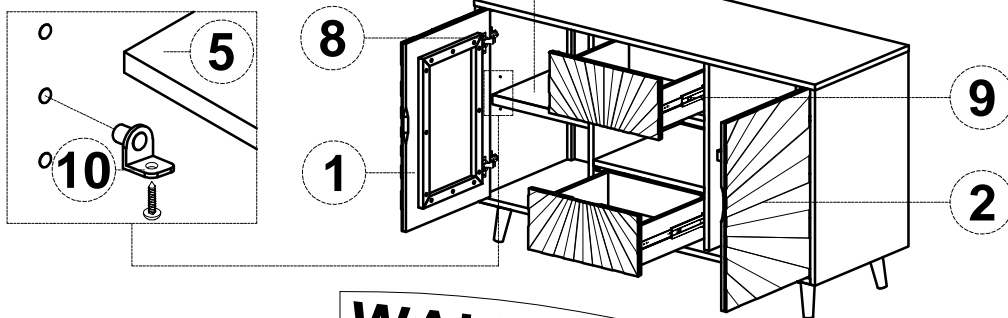
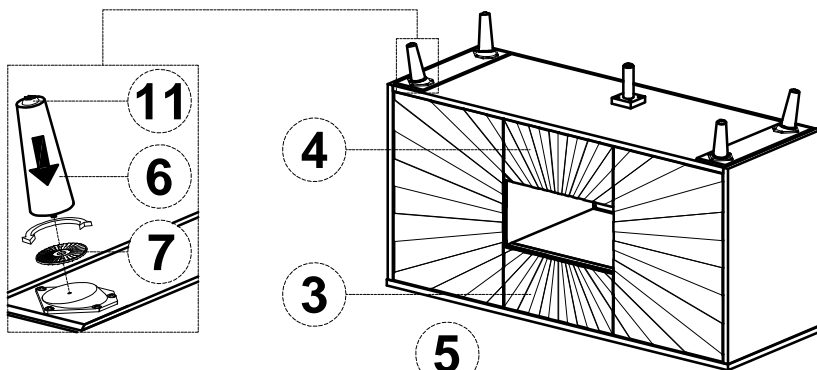
WWW.JOFRAN.COM

ASSEMBLY INSTRUCTIONS & PARTS IDENTIFICATION
MODEL # 2483-50
REECE 50" CONSOLE L. ASH
LIGHT ASH

Thank you for purchasing this quality product. Be sure to check all packing material carefully for small parts that may have come loose inside the carton during shipment.

| KEY COMPONENTS | | | | KEY COMPONENTS | | | |
|----------------|-------------|-------|------------------------|----------------|-----------|-------|------------------------|
| No. | Code | Q'ty | Description | No. | Code | Q'ty | Description |
| 1 | 2483-50P07L | 1 Pc | Left Side facing door | 7 | 2483P01W | 4 Pcs | Plastic washer |
| 2 | 2483-50P07R | 1 Pc | Right Side facing door | 8 | 2483P07H | 4 Pcs | Door hinge |
| 3 | 2483-50P05T | 1 Pc | Drawer top | 9 | 2483P06 | 4 Pcs | Extension drawer glide |
| 4 | 2483-50P05B | 1 Pc | Drawer bottom | 10 | 2483P08P | 8 Pcs | Shelf pin |
| 5 | 2483-50P08 | 2 Pcs | Shelf | 11 | 2483P01L | 4 Pcs | Levelers |
| 6 | 2483P02 | 4 Pcs | Leg | 12 | 2483P01AT | 1 Kit | Anti-tip kit |

- With two people carefully place the cabinet on a flat surface to prevent scratches.
- Proceed to put the plastic washers on the legs and attach the legs to the cabinet, rotate the legs clockwise until tight. Align the legs so that they are in the correct direction with the product.



PLEASE NOTE:

To help prevent the possibility of tip-over, install the ANTI-TIP OVER restraint provided.

MADE IN VIETNAM