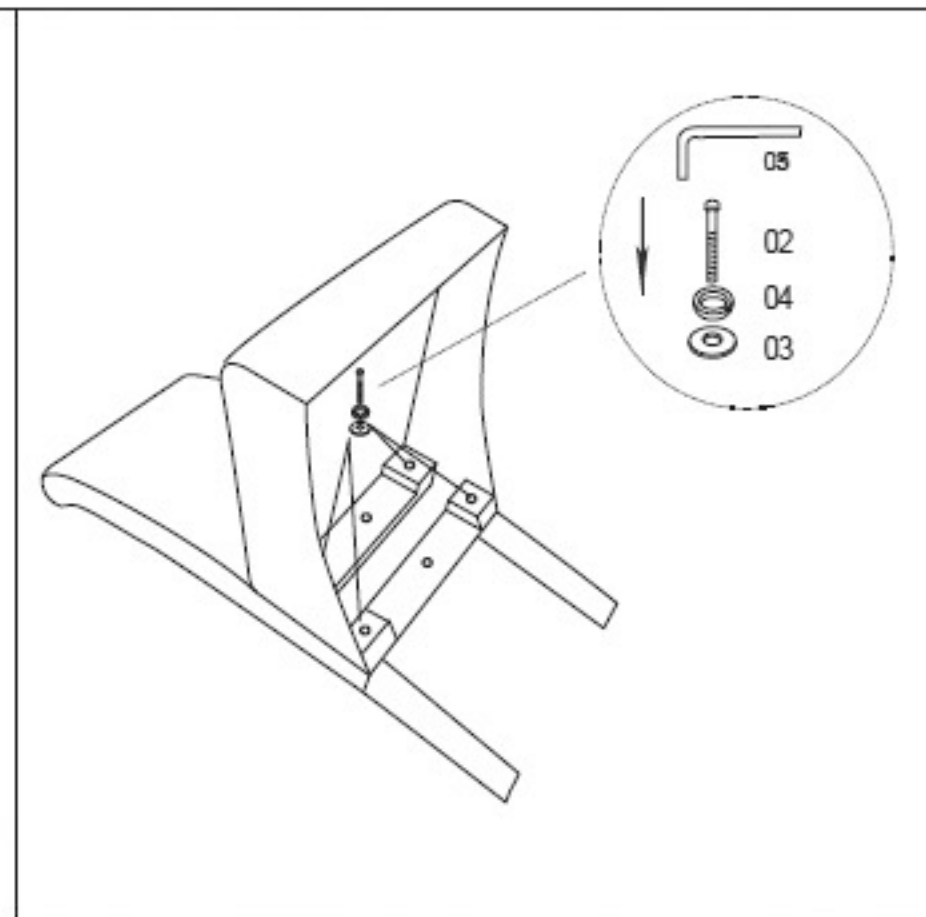
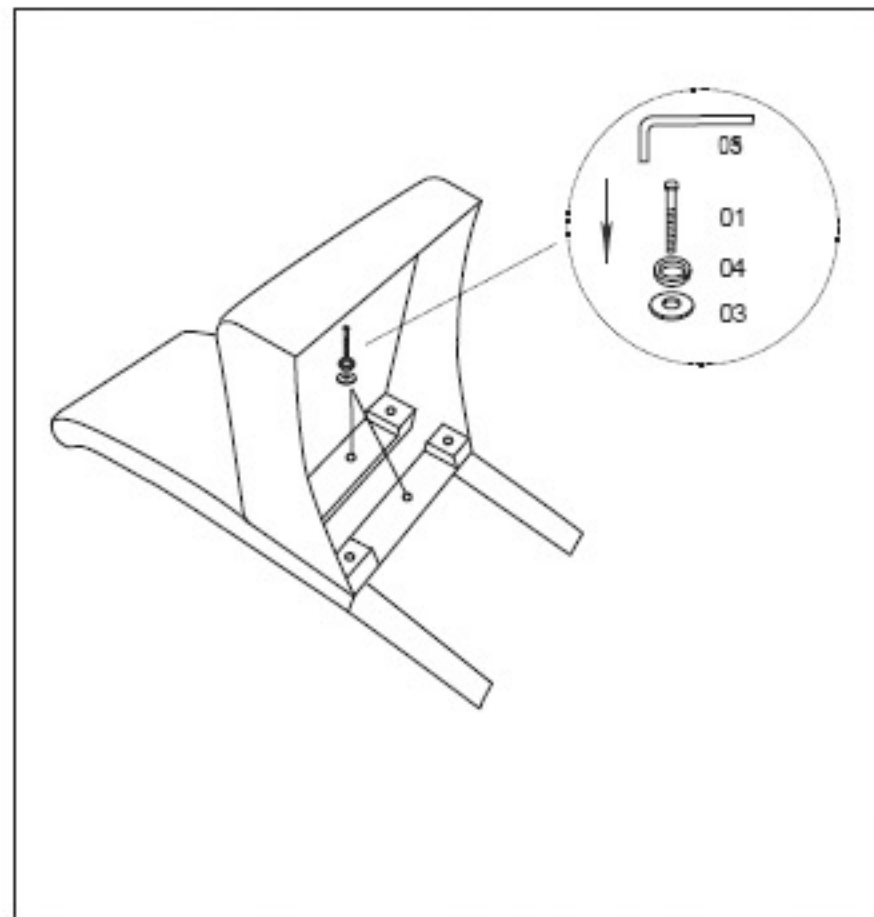
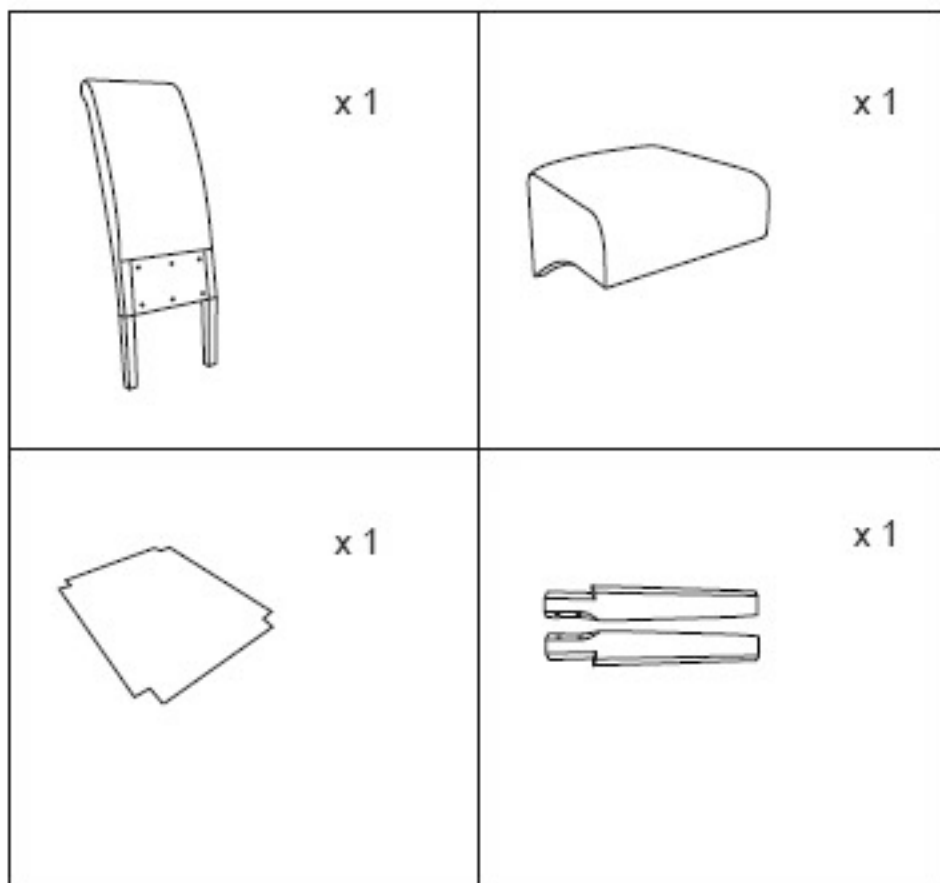






Assembly Instruction



	01 Bolt M8x55mm	x 2
	02 Bolt M8x75mm	x 8
	03 Flat washer	x 10
	04 Spring washer	x 10
	05 Allen key	

