

## USE AND CARE GUIDE

### CAST ALUMINUM GARDEN BENCH

## Pre-Assembly

### PLANNING ASSEMBLY

Before beginning assembly, make sure all parts are present. Compare parts with package contents lists and diagram below. If any part is missing or damaged, do not attempt to assemble the bench. Contact customer service for replacement parts.

Assemble the bench on a soft, non-abrasive surface, such as carpeting or cardboard, to avoid damage.

#### HARDWARE INCLUDED



Part	Description	Quantity
AA	Bolts	8
BB	Spring Washers	8
CC	Washers	8
DD	Cap	4

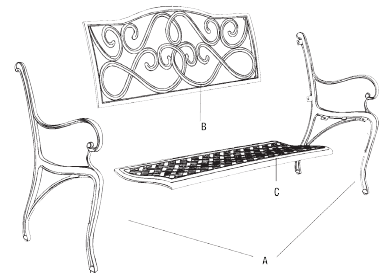
#### TOOLS REQUIRED



Adjustable Wrench

#### PACKAGE CONTENTS

Part	Description	Quantity
A	Arm	2
B	Back	1
C	Seat	1



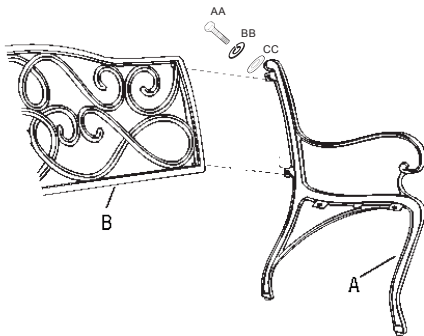
## Assembly

### 1 Connecting the Back and Arms

- Align the holes in the sides of the back (B) to the matching holes on the insides of the arms (A).

- Connect the back (B) to the arms (A) by inserting a bolt (AA), spring washer (BB), and washer (CC) through each of the four holes in the back (B)

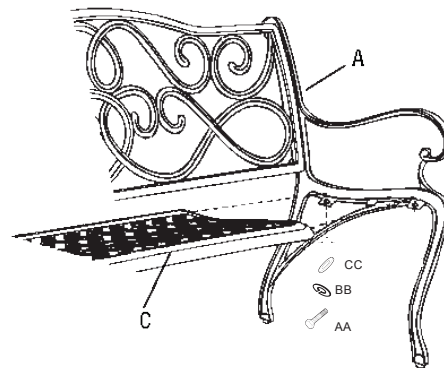
- Do not tighten the bolts completely yet.



### 2 Attaching the Seat

- Place the seat (C) between the two arms (A), aligning the matching holes

- Connect the seat and arms by inserting the other four bolts (AA) and spring washers (BB) and washers (CC) into the corners of the seat (C) from the bottom and through the arms.

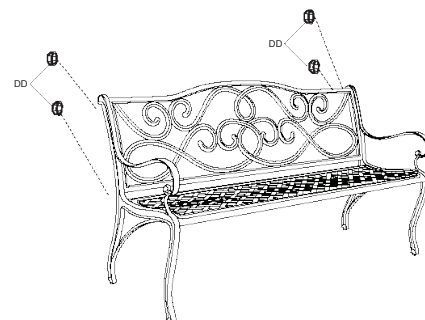


### 3 Tightening the Bolts

- Make sure the bench stands straight and level with the ground.

- Tighten all bolts

- Cover all exposed bolts ends with the caps (DD)



## Warranty

---

### 3 YEAR LIMITED FRAME WARRANTY

#### WHAT IS COVERED

We warrant the frame to be free of manufacturing defects to the original purchaser for three years.

#### WHAT IS NOT COVERED

It remains the customer's responsibility for freight and packaging charges to and from our service center. This warranty does not cover commercial use, hardware, acts of nature, fire, freezing and abusive use. In addition, purchased parts are not covered under this warranty. We reserve the right to make substitutions with similar merchandise, if the model in question is no longer in production.

## Care and Cleaning

---

This furniture is made with an old world, traditional handcrafted look. The variations in color are characteristic of the single item production technique. Likewise, slight pinholes will be present in the metal casting, customary to handcrafted work. These irregularities enhance the individuality of the furniture and should not be considered defects.

Check and tighten the bolts periodically.