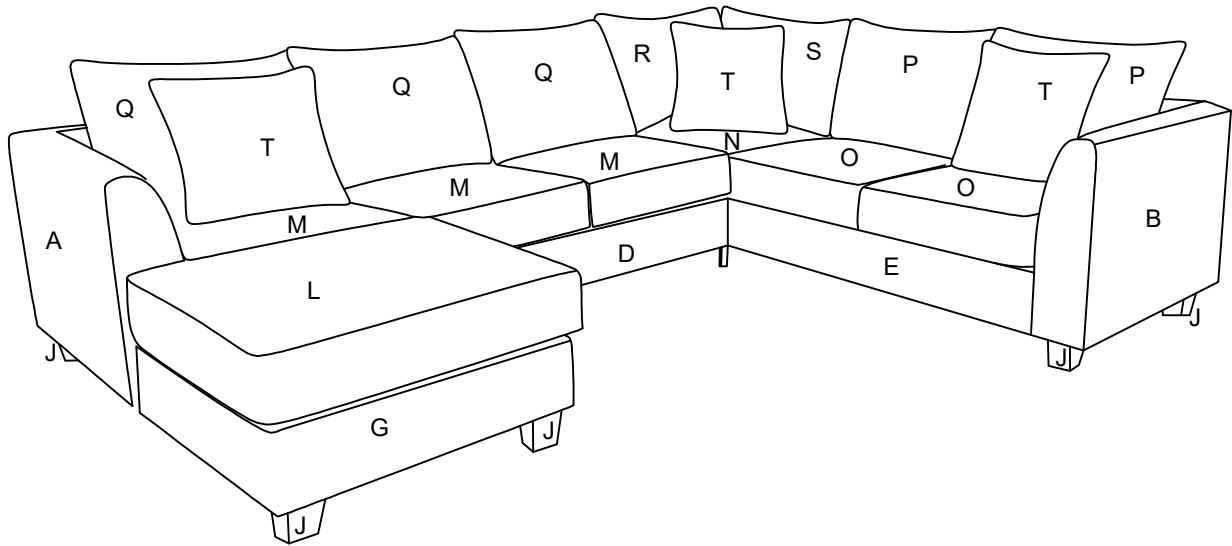


ASSEMBLY INSTRUCTION

WF299027/WF299028/WF299029



Return & Warranty policy:



-We strive to offer the highest quality products, and we also try our best to satisfy each and every customer that orders from us with replacement parts or service as needed.

-If the item is damaged or defective, please take photos as evidence for replacements and refunds.

-please do not return to store, contact the seller if you have any troubles with this product.

ASSEMBLY INSTRUCTION

HARDWARE LIST

NO	DESCRIPTION	SKETCH	QTY	NO	DESCRIPTION	SKETCH	QTY
①	Bolt M8*100		10 PCS	⑥	Gasket Φ 17		10 PCS
②	Bolt M8*35		10 PCS	⑦	Gasket Φ 22		26 PCS
③	Bolt M8*60		9 PCS	⑧	Allen key M5		1 PC
④	Bolt M8*45		1 PCS	⑨	wrench		1 PC
⑤	Nut M8*14		6 PCS	⑩	Support leg		1 PC

PARTS LIST


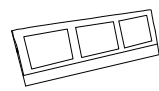
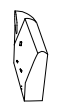
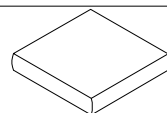
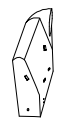
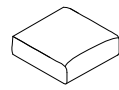
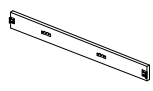
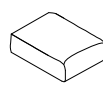
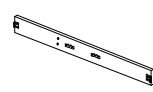
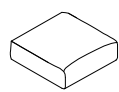
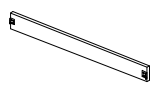
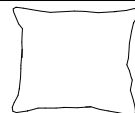
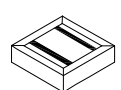

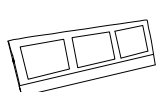
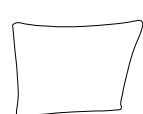
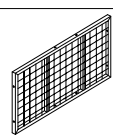
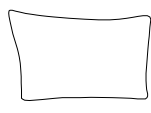
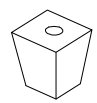




NO	DESCRIPTION	SKETCH	QTY	NO	DESCRIPTION	SKETCH	QTY
A	Left Arm		1PC	K	Right Back frame		1PC
B	Right Arm		1PC	L	Ottoman cushion		1PC
C	Corner backrest		1PC	M	left sofa seat cushion		3PCS
D	Left Front panel		1PC	N	Corner		1PC
E	Righ Front panel		1PC	O	Right sofa seat cushion		2PCS
F	Back panel		2PCS	P	Right sofa back cushion		2PCS
G	Ottoman frame		1 PC	Q	Left sofa back cushion		3PCS
H	Left Back frame		1PC	R	Left corner back cushion		1PC
I	Seat frame		2PCS	S	Right corner back cushion		1PC
J	Leg		10PCS	T	Pillow		3PCS

DIAGRAM 1: Use hardware ① ⑥ ⑧ to assemble the legs (part J) to the arms (part A B) and the corner back (part C), Tighten the bolts by clockwise

①		6
⑥		6
⑧		1

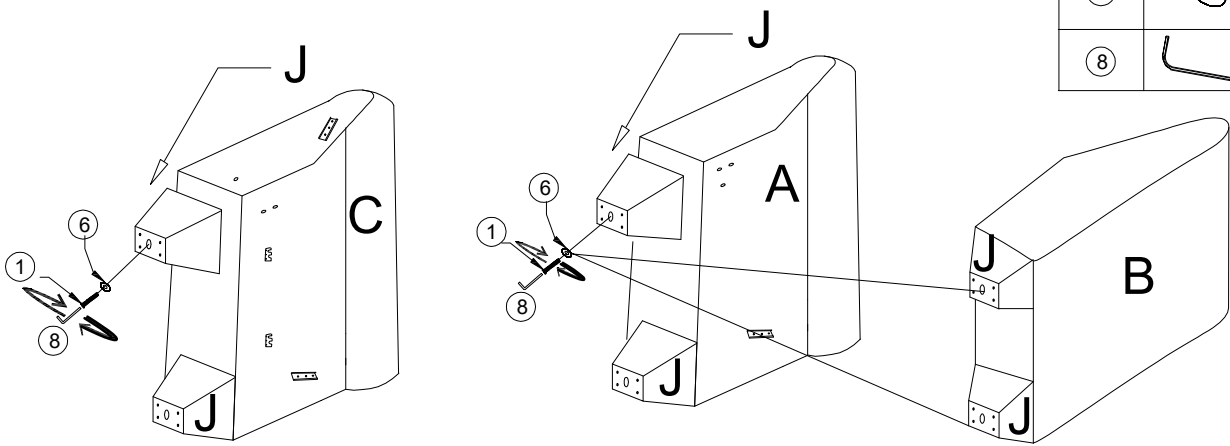



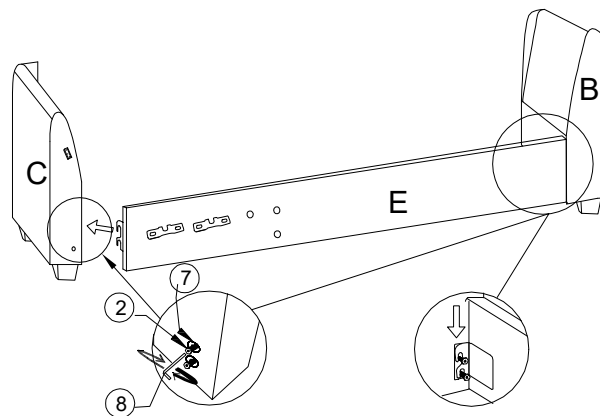


DIAGRAM 2: Use hardware ② ⑦ ⑧ to assemble the right front pane (part E) and the right back one panel (part F)

②		6
⑦		6
⑧		1

2-1: Screws the bolts in 50% to corner backrest (part C) and Right arm (part B). Hook the right front panels (part E) onto the bolts. Tighten the bolts by clockwise



2-2: Screws the bolts in 50% to corner backrest (part C) and right arm (part B). Hook the right back panel (part F) onto the bolts. Tighten the bolts by clockwise

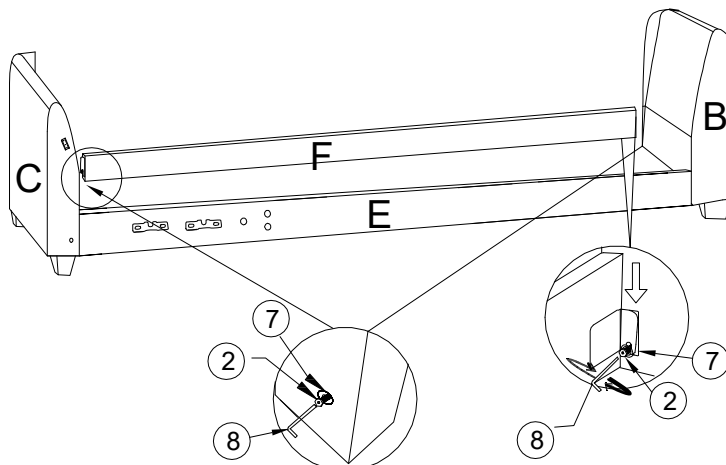







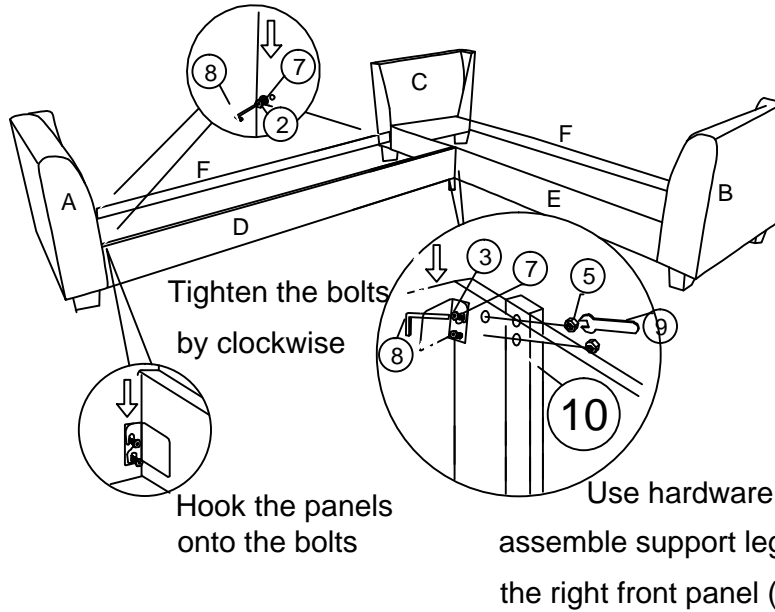


DIAGRAM 3: Use hardware ②③⑦⑧ to assemble the left front panel (part D) and the left back panel (part F)

3-1: Screws the bolts in 50% to Corner backrest (part C), left arm (part A) and the right front panel (part E)

②		4
③		2
⑤		2
⑦		8
⑧		1
⑨		1
⑩		1



3-2: Hook the left front panels (part D) onto left arm (part A) and to the right front panel (part E), assemble support leg (hardware ⑩) to the right front panel (part E) interior onto the bolts. Tighten the bolts by clockwise
 3-3: Hook the left back panel (part F) onto the bolts. Tighten the bolts by clockwise

DIAGRAM 4: Slide the left back frames (part H) in to the arms part (A) and the corner back (part C)

4-1: Slide the right back frame (part K) in to the arms (part B) and the corner back (part C)

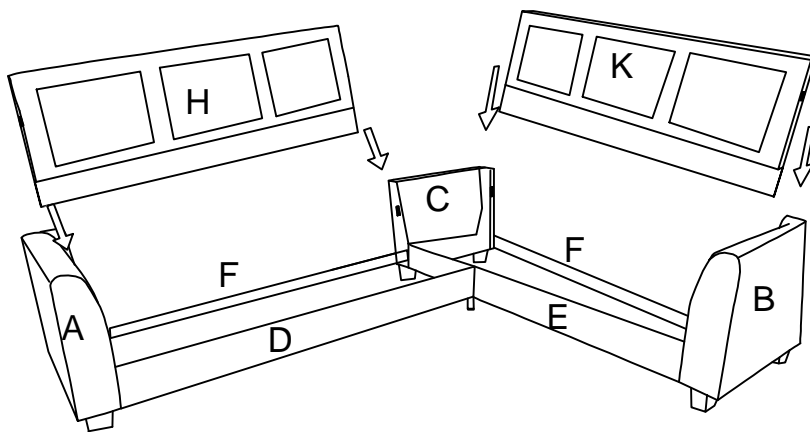
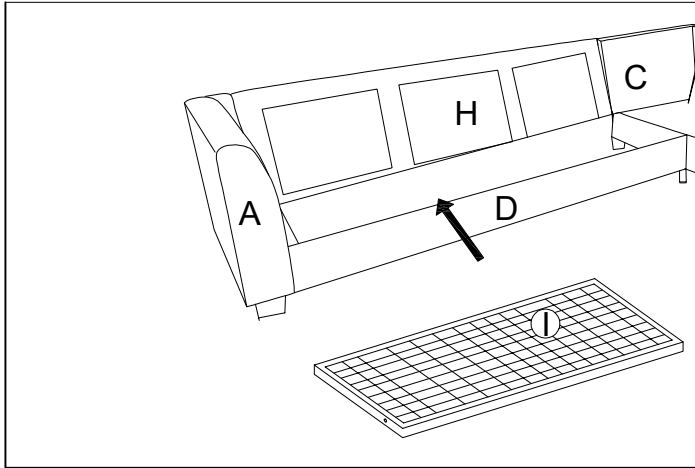






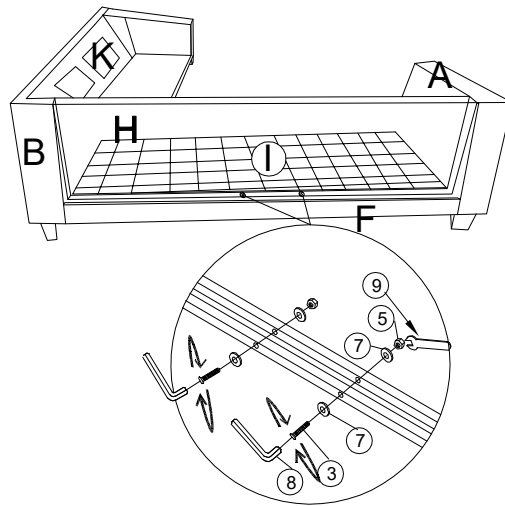


DIAGRAM 5: Assemble the left seat frame (part I)



③		3
④		1
⑤		2
⑦		6
⑧		1
⑨		1

5-1: Use hardware ③ ⑤ ⑦ ⑧ ⑨ to connect the left seat frame (part I) to the left back frames (part H)



5-2: Use hardware ③ ⑦ ⑧ to connect the left seat frame (part I) in to the arms (part A)

5-3: Use hardware ④ ⑦ ⑧ to connect the left seat frame (part I) to the right front panel (part E)

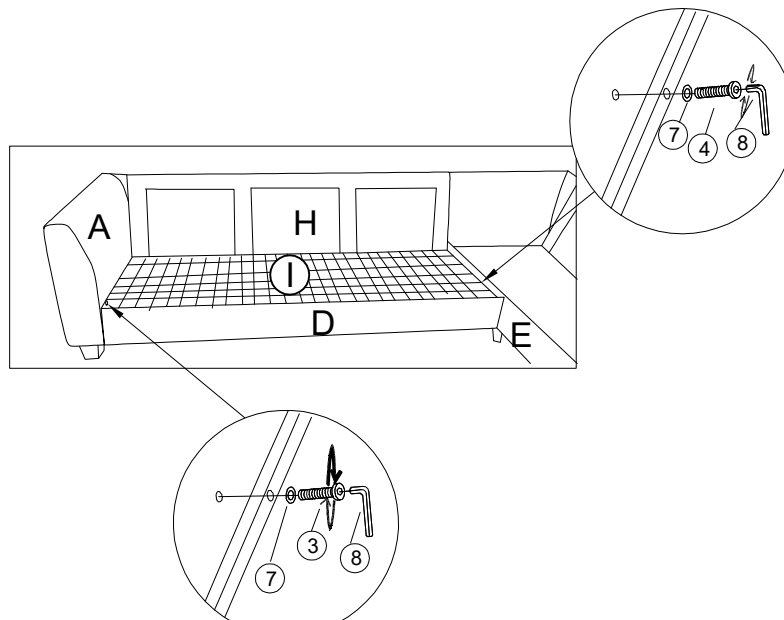
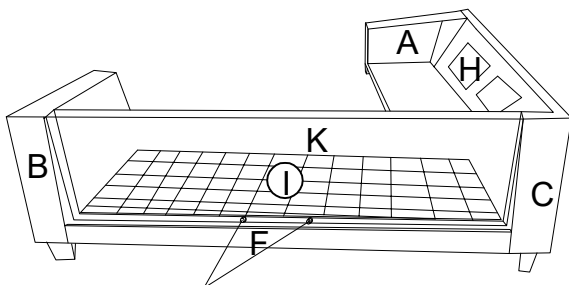

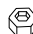



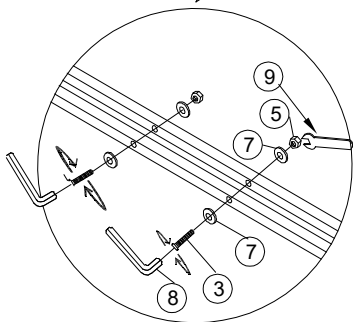


DIAGRAM 6: Assemble the Right seat frame (part I)

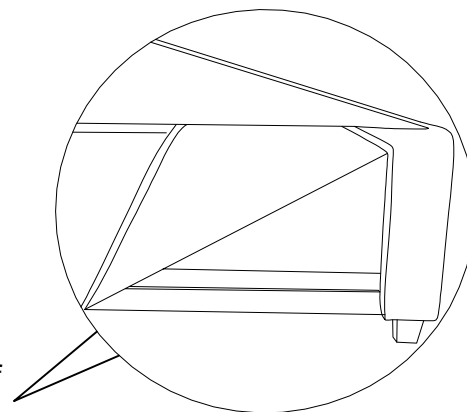
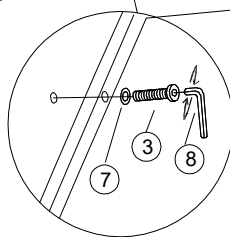
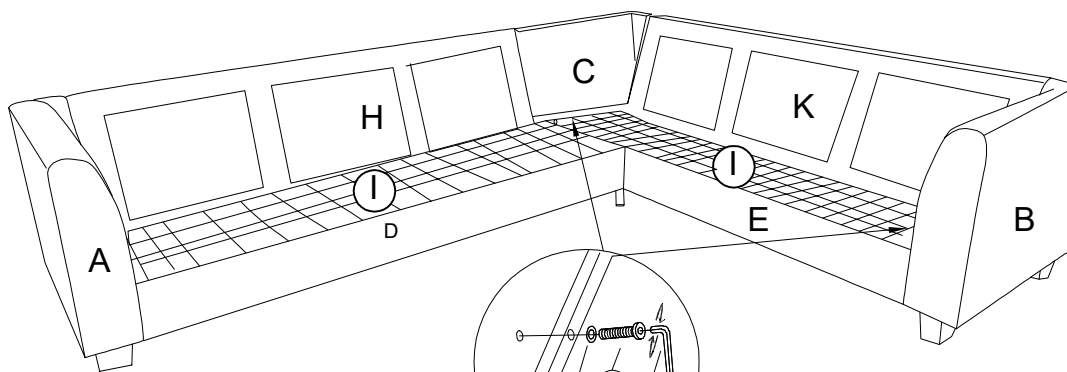
6-1: Use hardware ③⑤⑦⑧⑨ to connect the right seat frame (part I) to the right back frame (part K)



③		4
⑤		2
⑦		6
⑧		1
⑨		1

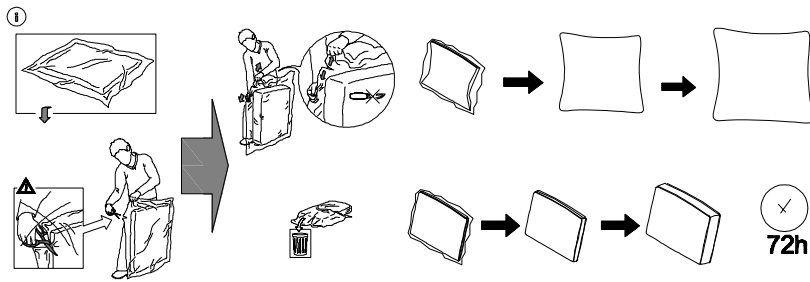


6-2: Use hardware ③⑦⑧ to connect the right seat frame (part I) to the right arms (part B) and to the corner back (part C) anteromedial



6-3: Align the cloth on the backrest to the Velcro on the back of the seat

DIAGRAM 7: Open the bags of the cushions and pillows



Tips:

1. Please do not open the compress packaging until your sofa frame is completely assembled.
2. Compress cushions or pillows need be fully fluffed within 72hours for your perfect use.
3. Please keep children away from plastic bag or any small pcs of stuff.

DIAGRAM 8: Follow the picture to put all the cushions and pillows on the sofa. Don't mistake left ones as the right ones. They are a little bit different.

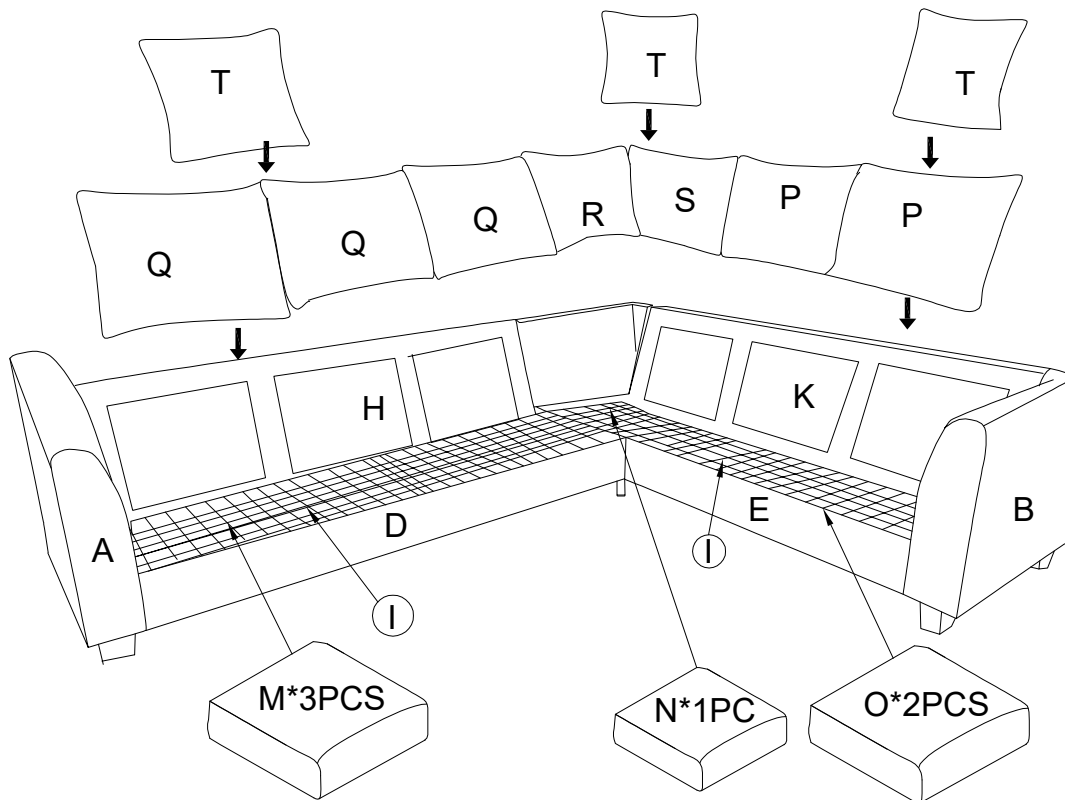


DIAGRAM 9: Use hardware ① ⑥ ⑧ to assemble the legs (part J) to the ottoman frame (part G). Tighten the bolts by clockwise

①		4
⑥		4
⑧		1

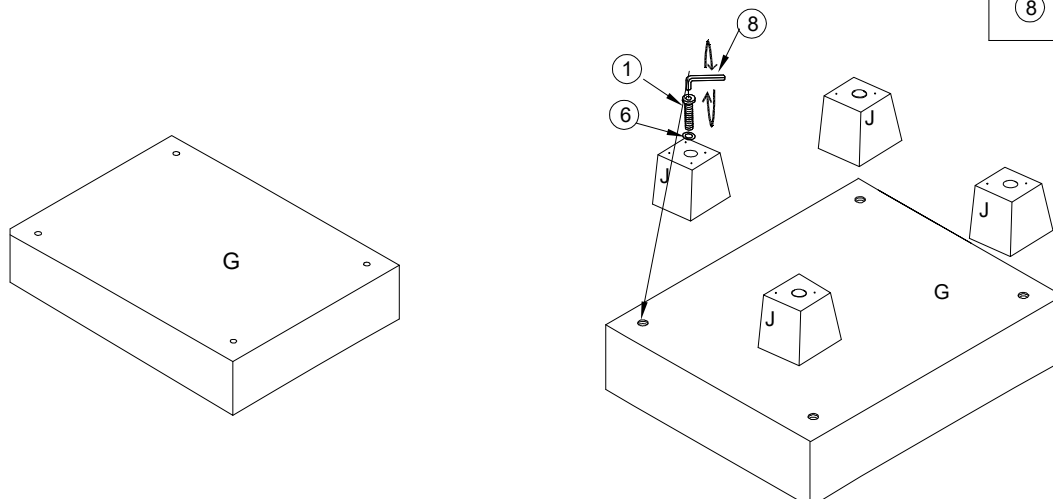


DIAGRAM 10: Put the ottoman cushion (L) on the assembled ottoman frame

