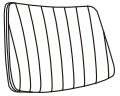



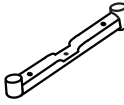
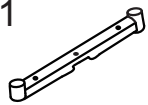




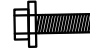
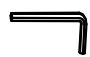
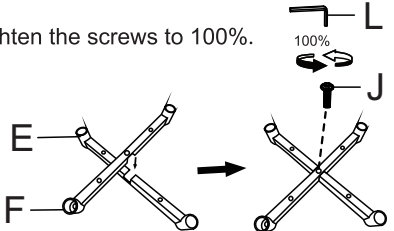


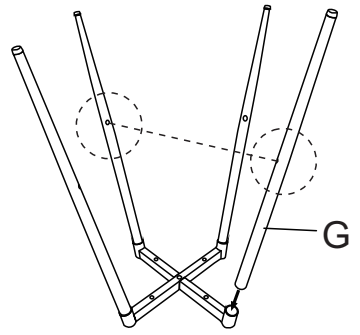
Please check that all fittings are available and in good condition before assembly.  
 If you have any questions, please contact us , we will solve your problem in the first time.

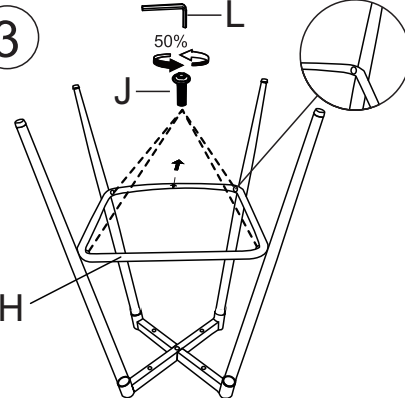
## PARTS LIST

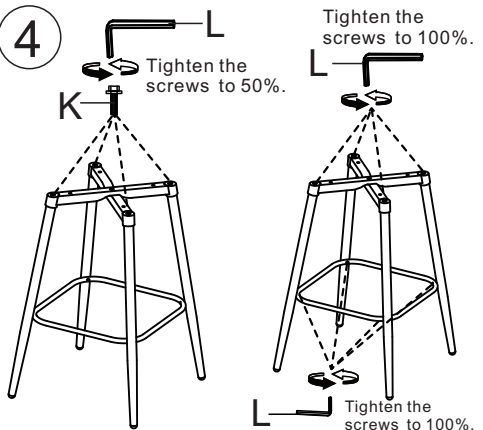
Ax1 	Bx1 	Cx1 	Dx1 	Ex1 	Fx1 	Gx1 
Hx1 	Ix12  M6x18mm	Jx8  M6x30mm	Kx4  M8x15mm	Lx1 		

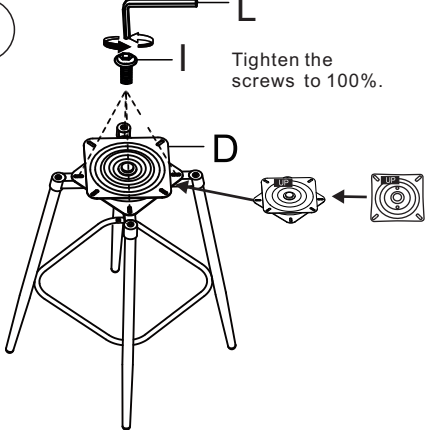
## ASSEMBLE INSTRUCTION

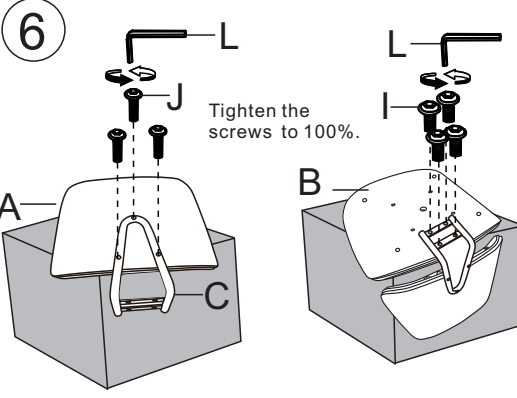
- 

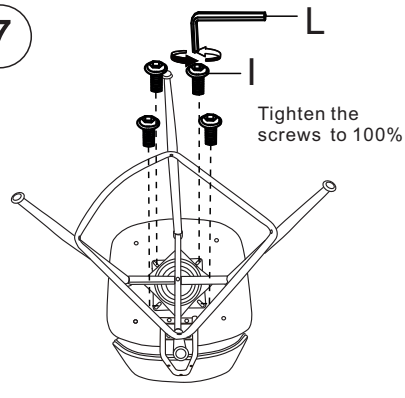
Tighten the screws to 100%.
- 

Make sure the screw holes on opposite legs are in one line.
- 

Tighten the screws to 50%.
- 

Tighten the screws to 100%.
- 

Tighten the screws to 100%.
- 

Tighten the screws to 100%.
- 

Tighten the screws to 100%.
- 