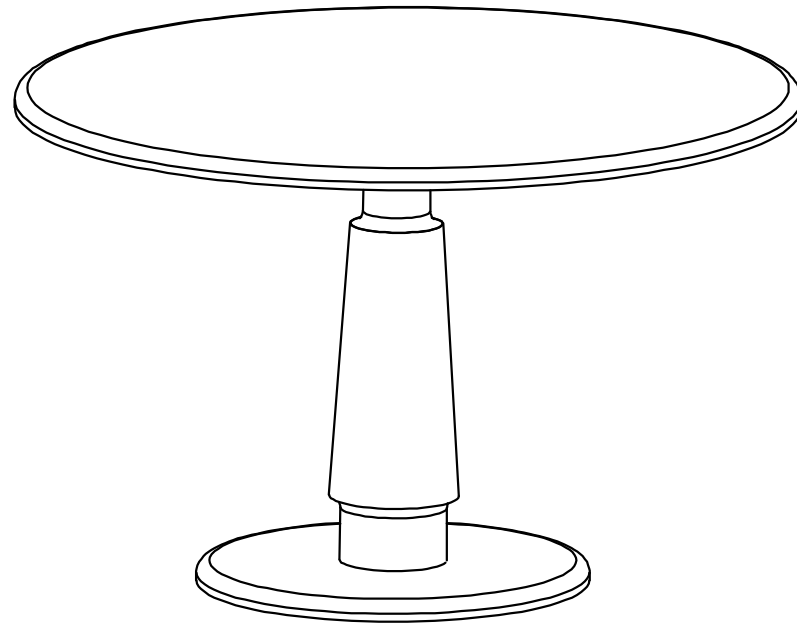


# **ASSEMBLY INSTRUCTIONS.**



THANK YOU FOR YOUR PURCHASE!

## PARTS AND HARDWARE.

1 TOP x 1



A BOLT x 8



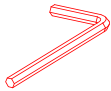
2 LEGS x 1



3 BASE x 1



B ALLEN KEY x 1

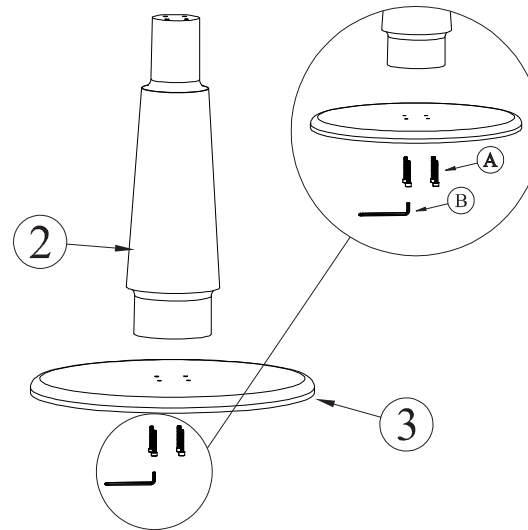


## NOTES.

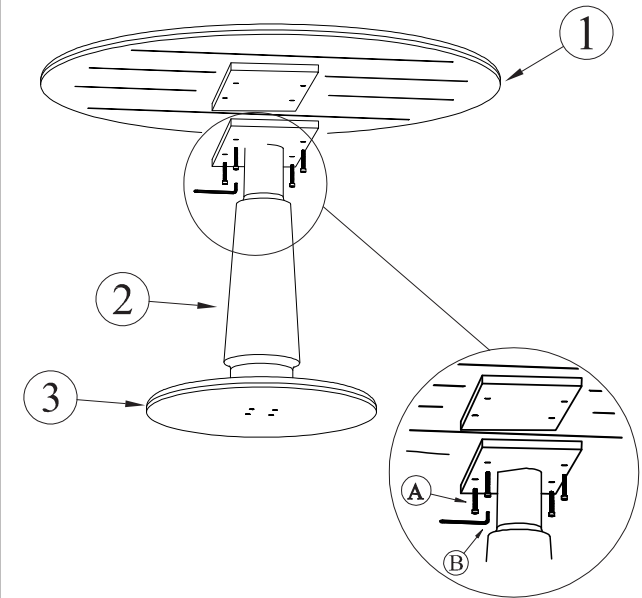
Thank you for purchasing this quality product! Be sure to check all packing material carefully for small part that may have come loose inside the carton during shipping.

**CAUTION:** The item is heavy, assembly should be performed by two people.

## STEP 1.



## STEP 2.



## STEP 3.

