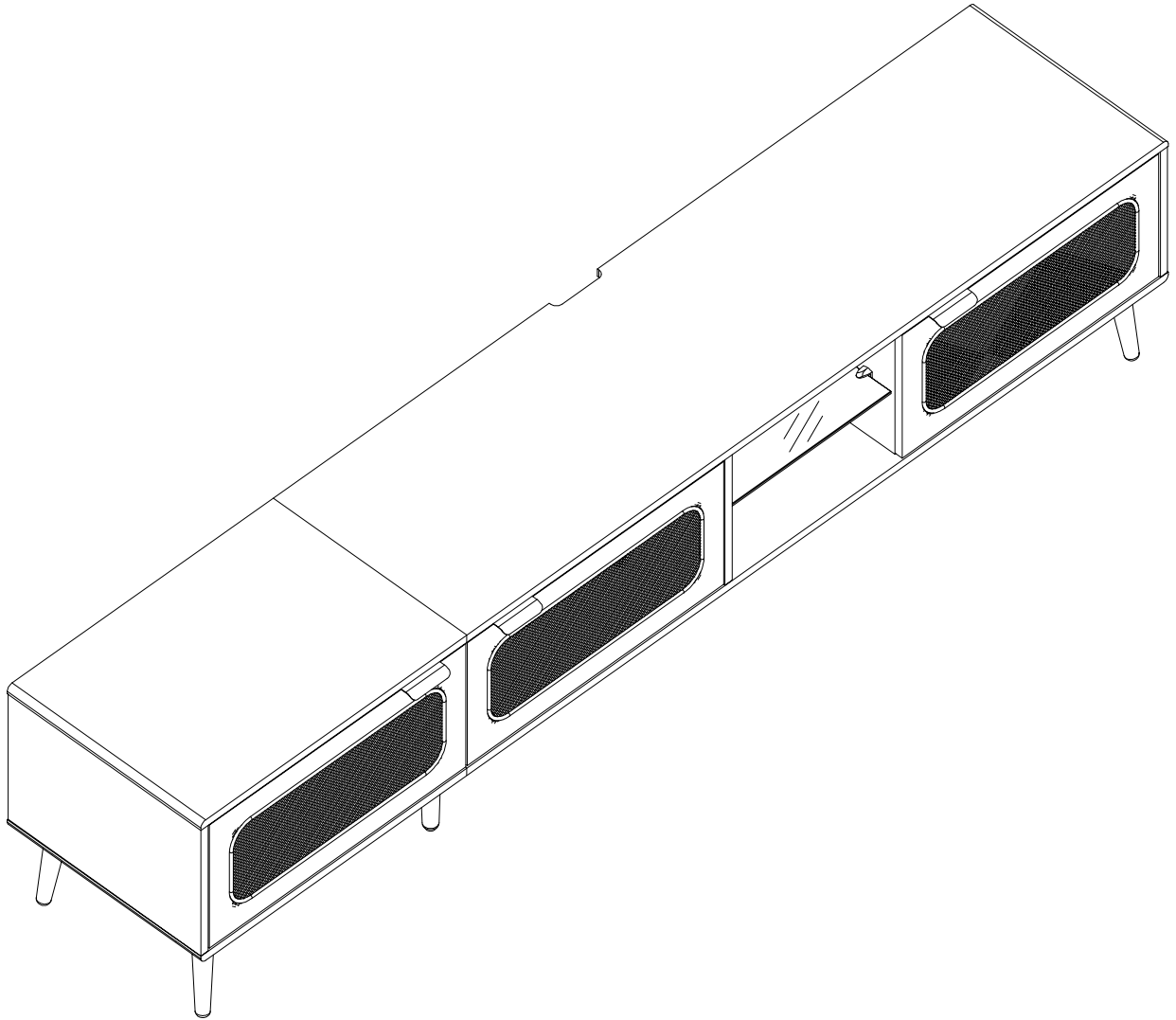


# TV STAND

Assembly Instructions - Please keep for future reference.



## DIMENSIONS

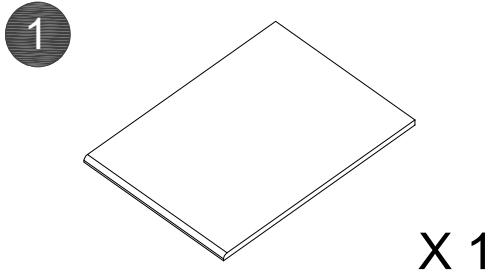
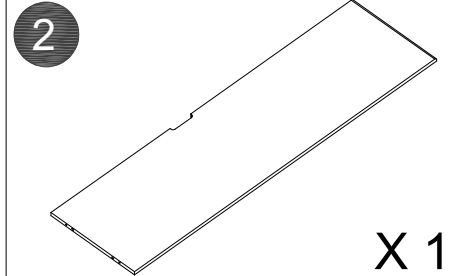
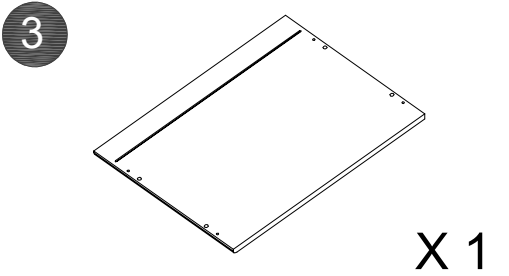
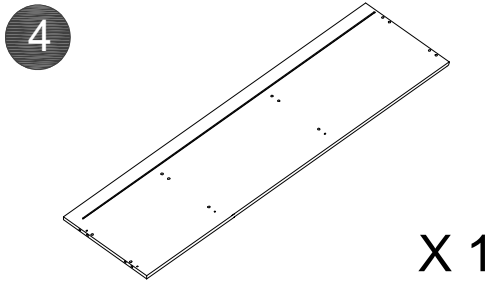
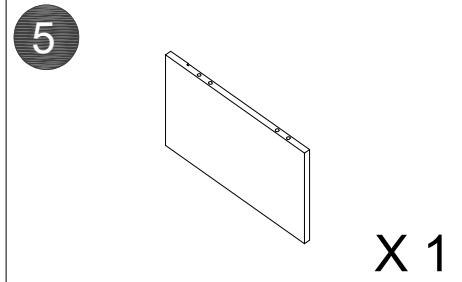
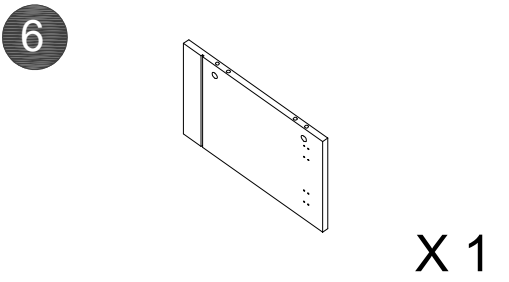
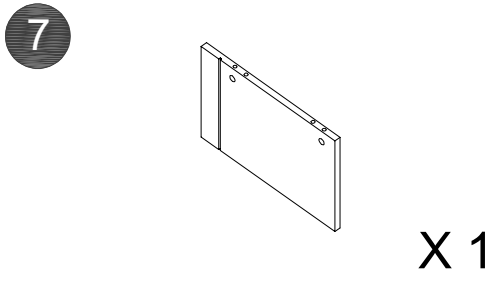
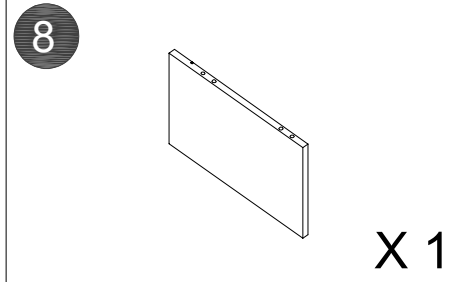
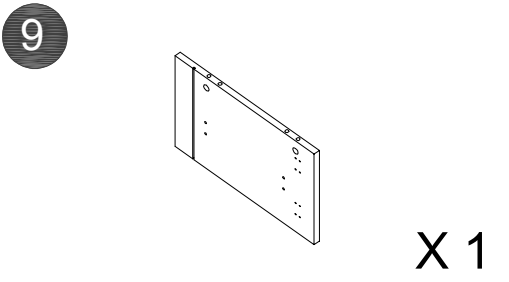
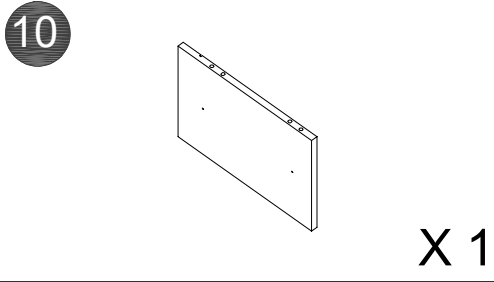
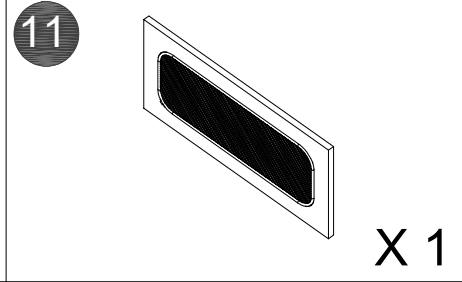
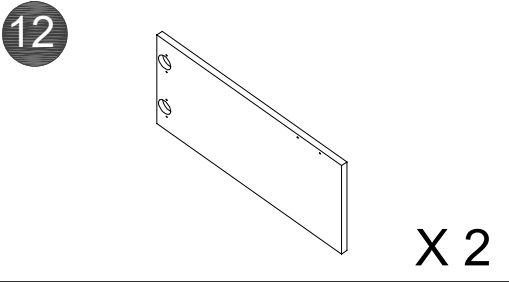
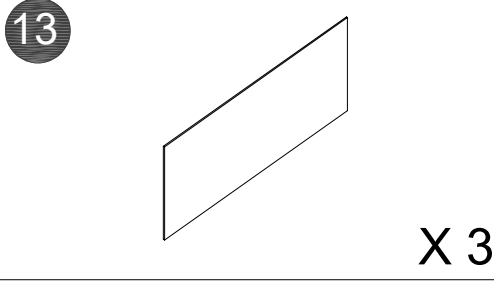
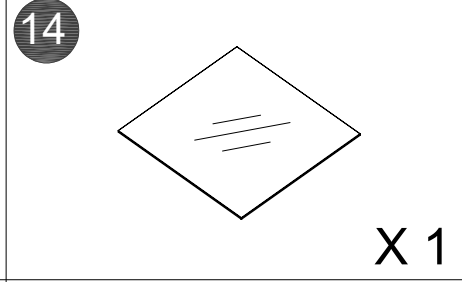
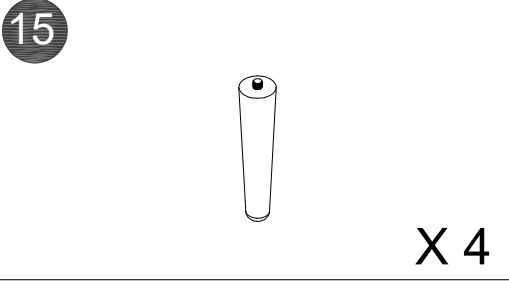
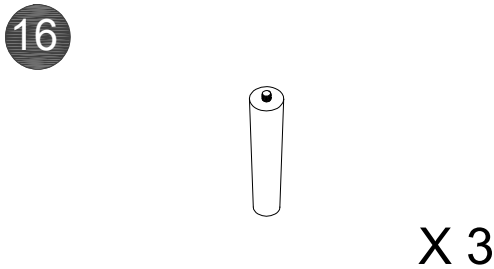
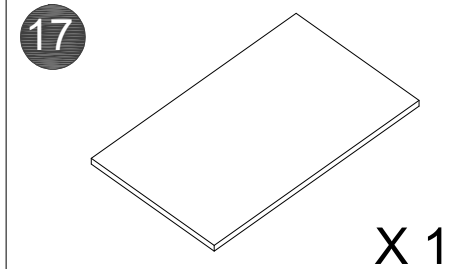
width-78.74inch  
Depth-15.75inch  
Height-17.72inch

Important - Please read these instructions fully before starting assembly.

# components - fittings

Please check you have all the panels listed below.

Note: The quantities below are the correct amount to complete the assembly. In some cases more fittings may be supplied than are required.


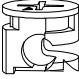
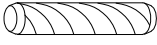
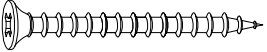
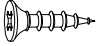
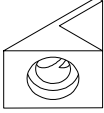


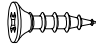
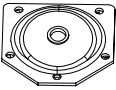
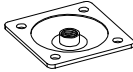
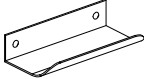
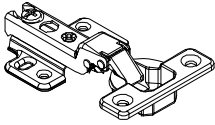


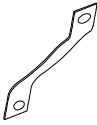
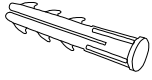
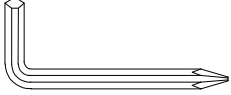
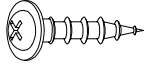
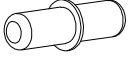
 <p>1</p> <p>X 1</p>	 <p>2</p> <p>X 1</p>	 <p>3</p> <p>X 1</p>
 <p>4</p> <p>X 1</p>	 <p>5</p> <p>X 1</p>	 <p>6</p> <p>X 1</p>
 <p>7</p> <p>X 1</p>	 <p>8</p> <p>X 1</p>	 <p>9</p> <p>X 1</p>
 <p>10</p> <p>X 1</p>	 <p>11</p> <p>X 1</p>	 <p>12</p> <p>X 2</p>
 <p>13</p> <p>X 3</p>	 <p>14</p> <p>X 1</p>	 <p>15</p> <p>X 4</p>
 <p>16</p> <p>X 3</p>	 <p>17</p> <p>X 1</p>	

# components - fittings

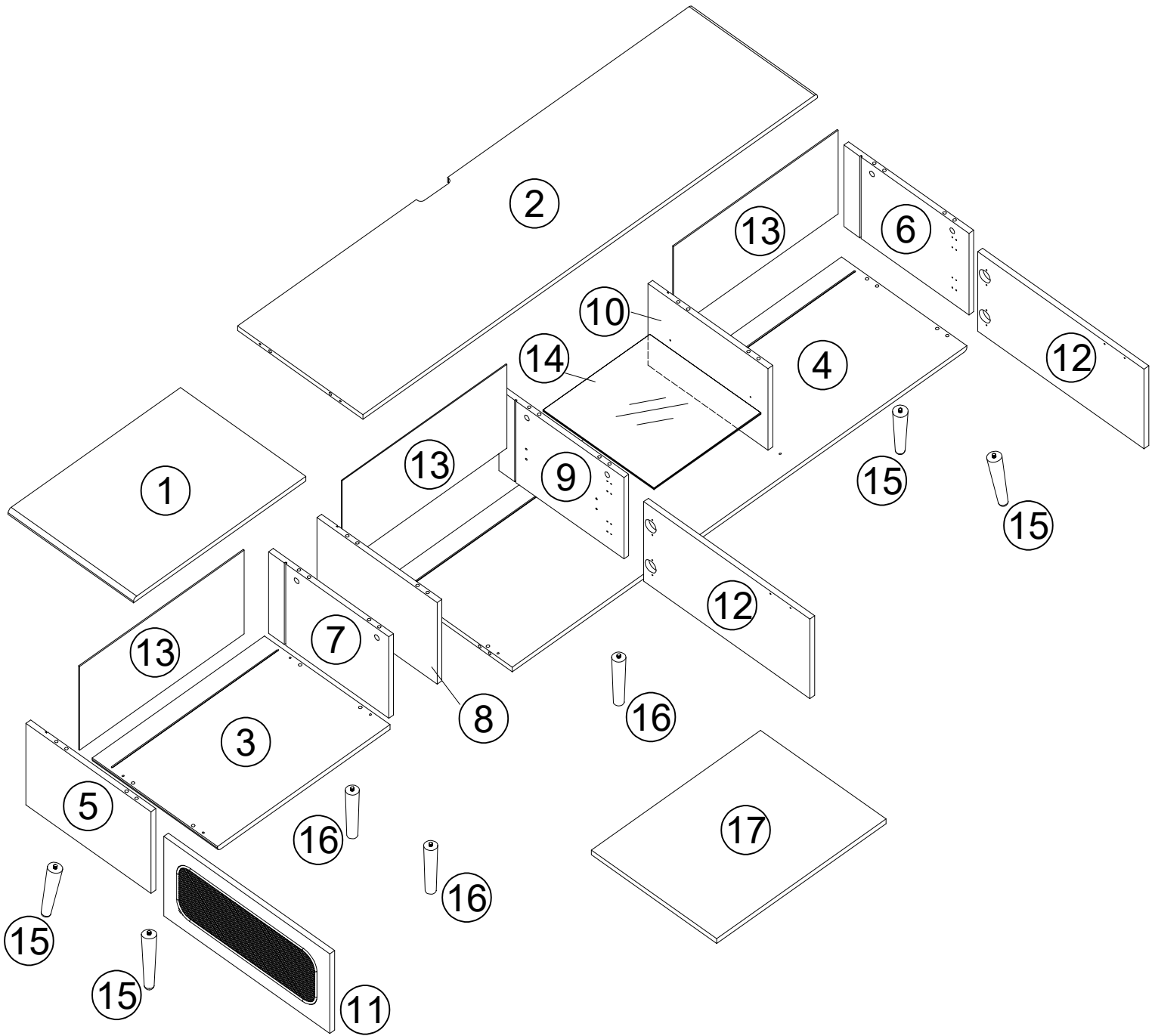
Please check you have all the panels listed below.

Note: The quantities below are the correct amount to complete the assembly. In some cases more fittings may be supplied than are required.

## Hardware-Liste

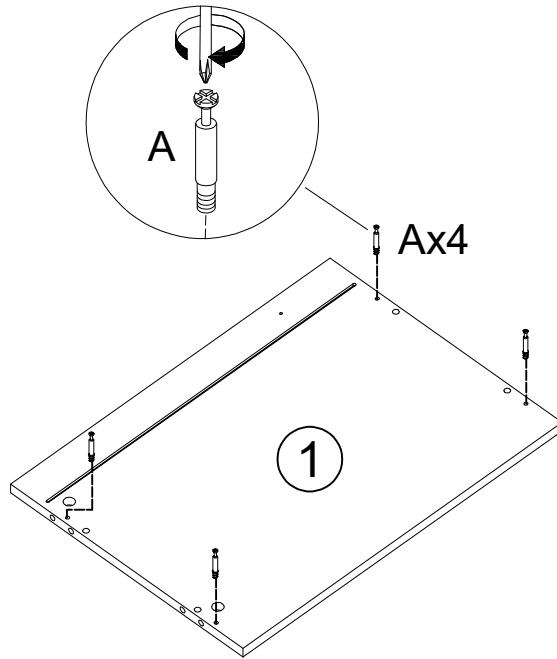
<p><b>A</b> X 16</p>  <p>M6x35mm</p>	<p><b>B</b> X 16</p>  <p>Φ15mm</p>	<p><b>C</b> X 28</p>  <p>Φ8x30mm</p>	<p><b>D</b> X 14</p>  <p>M4x35mm</p>
<p><b>E</b> X 32</p>  <p>M3.5x14mm</p>	<p><b>F</b> X 12</p> 	<p><b>G</b> X 3</p> 	<p><b>H</b> X 4</p> 
<p><b>I</b> X 58</p>  <p>M3.5x14mm</p>	<p><b>J</b> X 4</p> 	<p><b>K</b> X 3</p> 	<p><b>L</b> X 3</p> 
<p><b>M</b> X 6</p> 	<p><b>N</b> X4</p>  <p>EVA</p>	<p><b>O</b> X 12</p>  <p>Ø20mm</p>	<p><b>P</b> X 2</p> 
<p><b>Q</b> X 2</p> 	<p><b>R</b> X 1</p> 	<p><b>S</b> X 2</p>  <p>M4x14mm</p>	<p><b>T</b> X 4</p> 

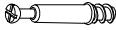
# Assembly Instructions



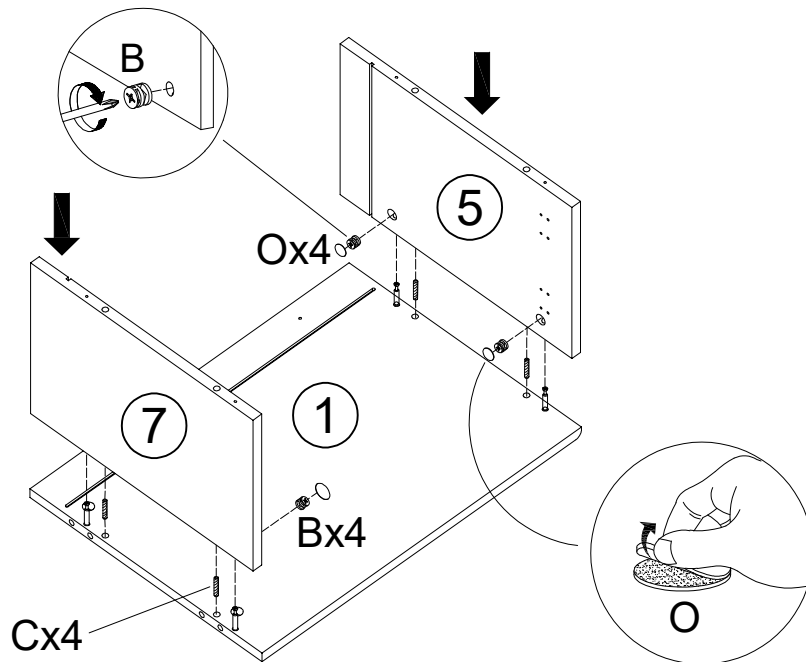
# Assembly Instructions




## STEP 1



A	x4
	
M6x35mm	

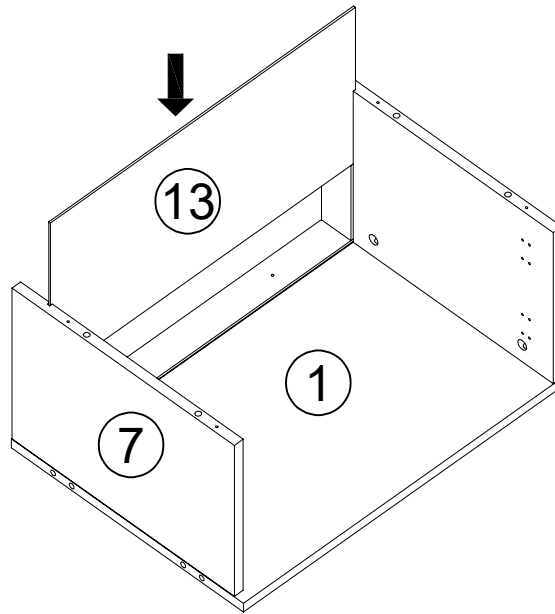
## STEP 2



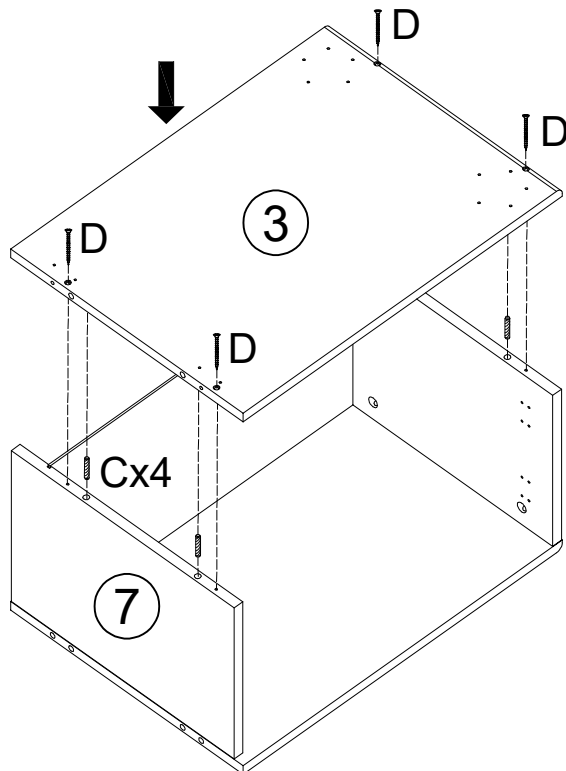
B	x4	C	x4	O	x4
					
Ø15mm		Φ8x30mm			


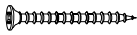
# Assembly Instructions

## STEP 3



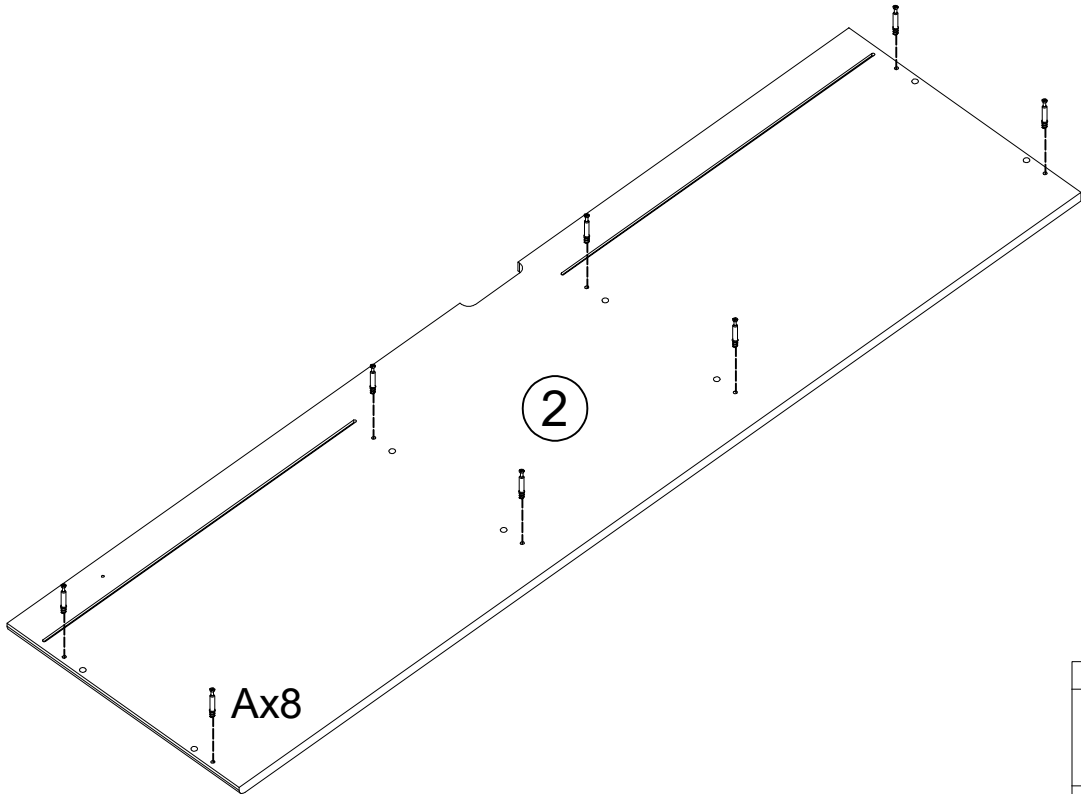
## STEP 4



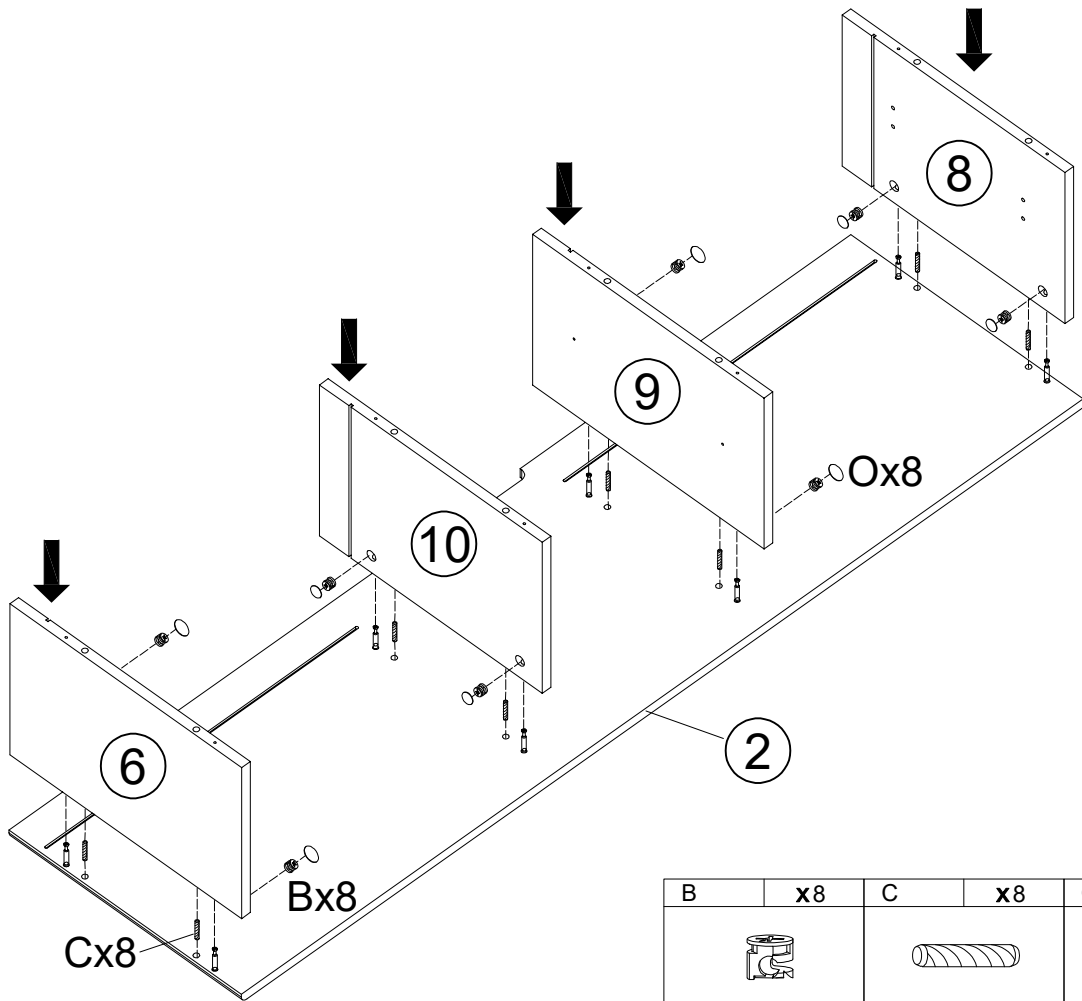
C	x4	D	x4
			
Φ8x30mm		M4x35mm	

# Assembly Instructions

## STEP 5

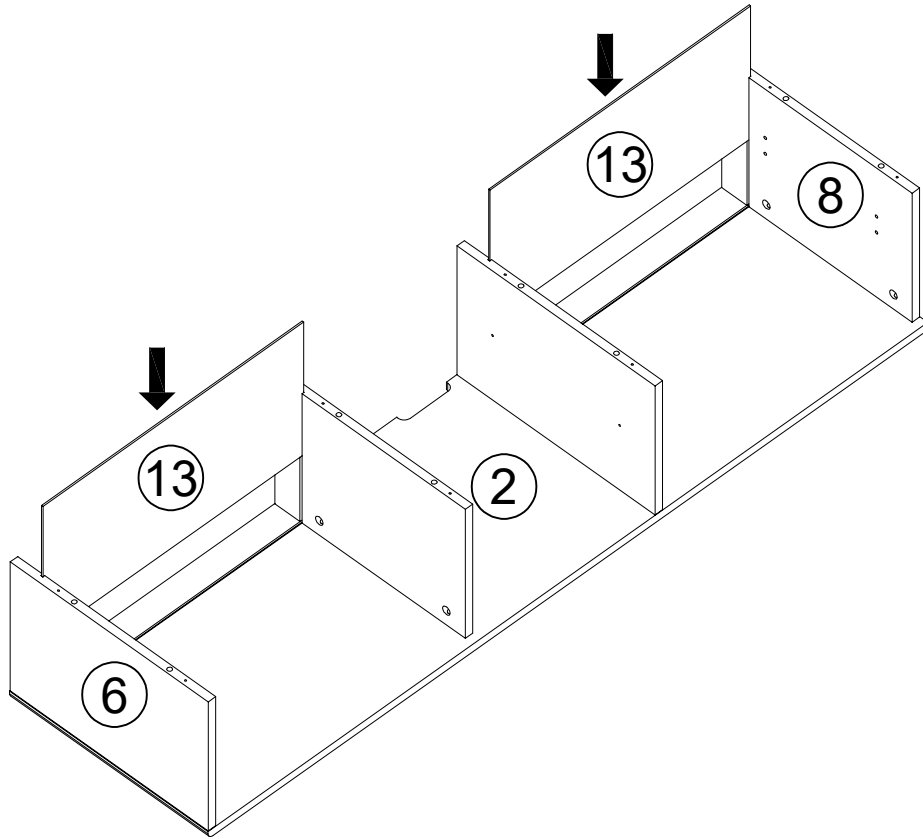


## STEP 6

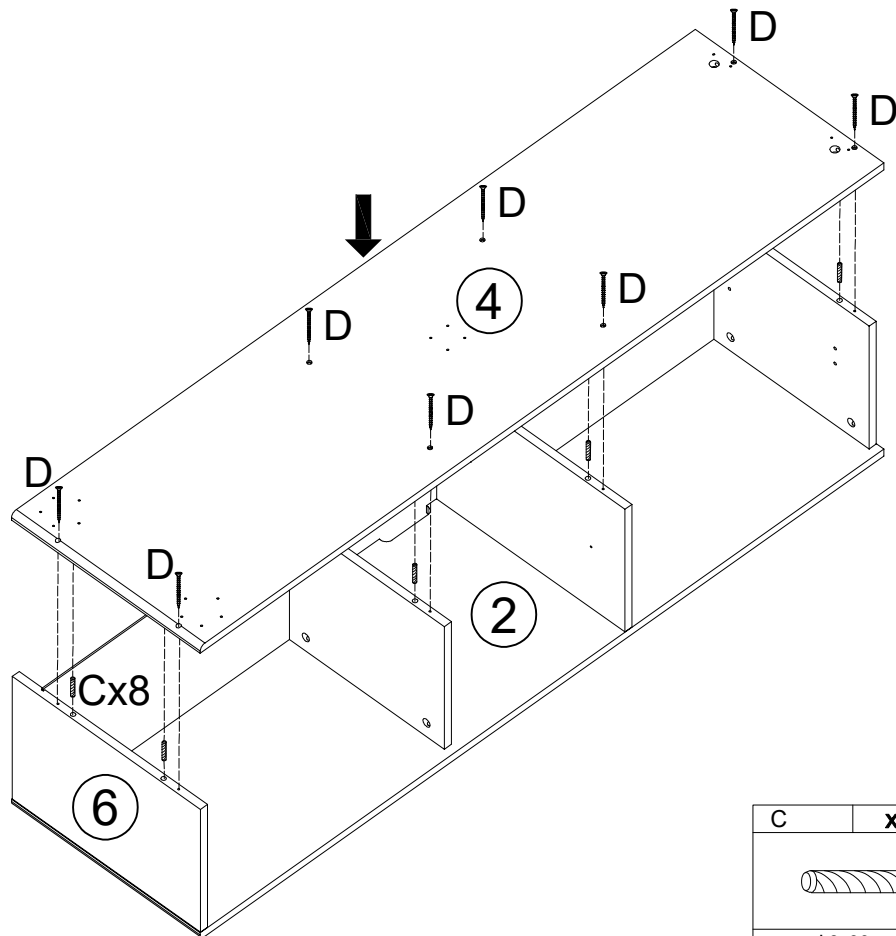



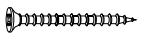
# Assembly Instructions

## STEP 7



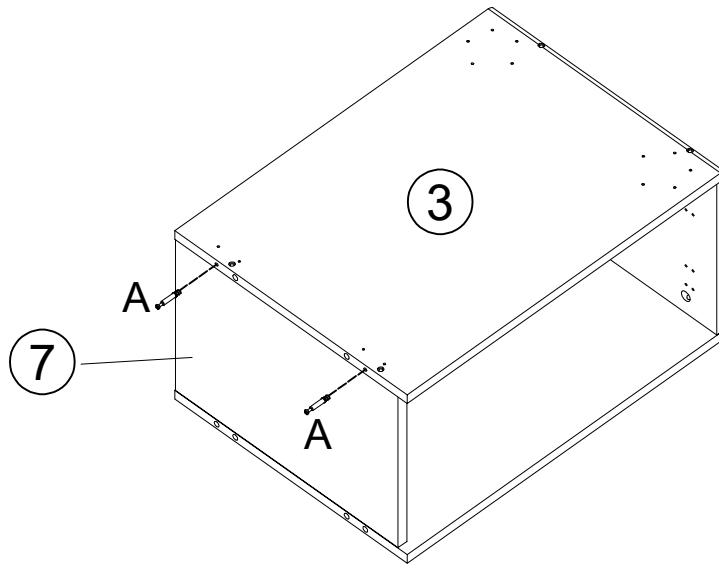
## STEP 8

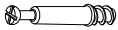


C	x8	D	x8
			
Φ8x30mm		M4x35mm	

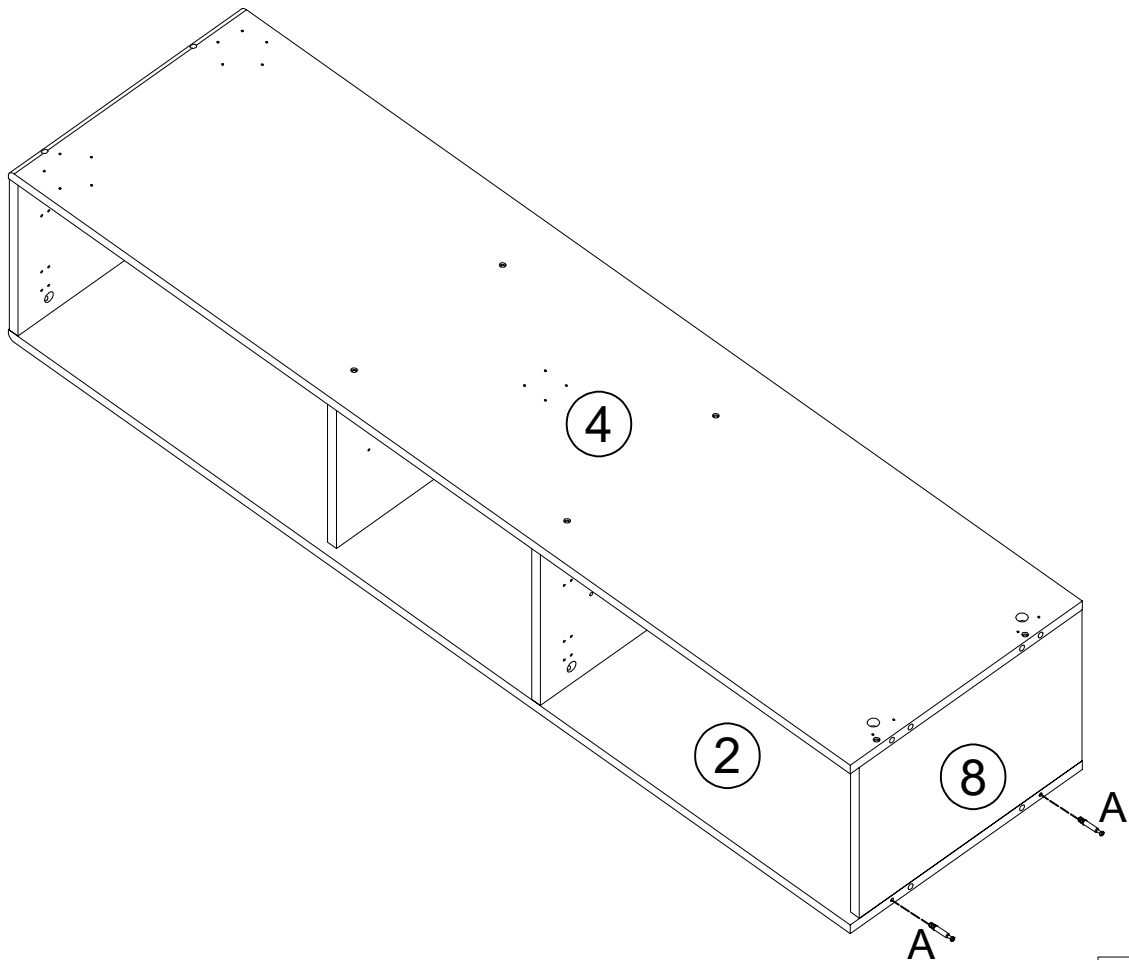
# Assembly Instructions

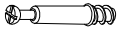
## STEP 9



A	x2
	
M6x35mm	

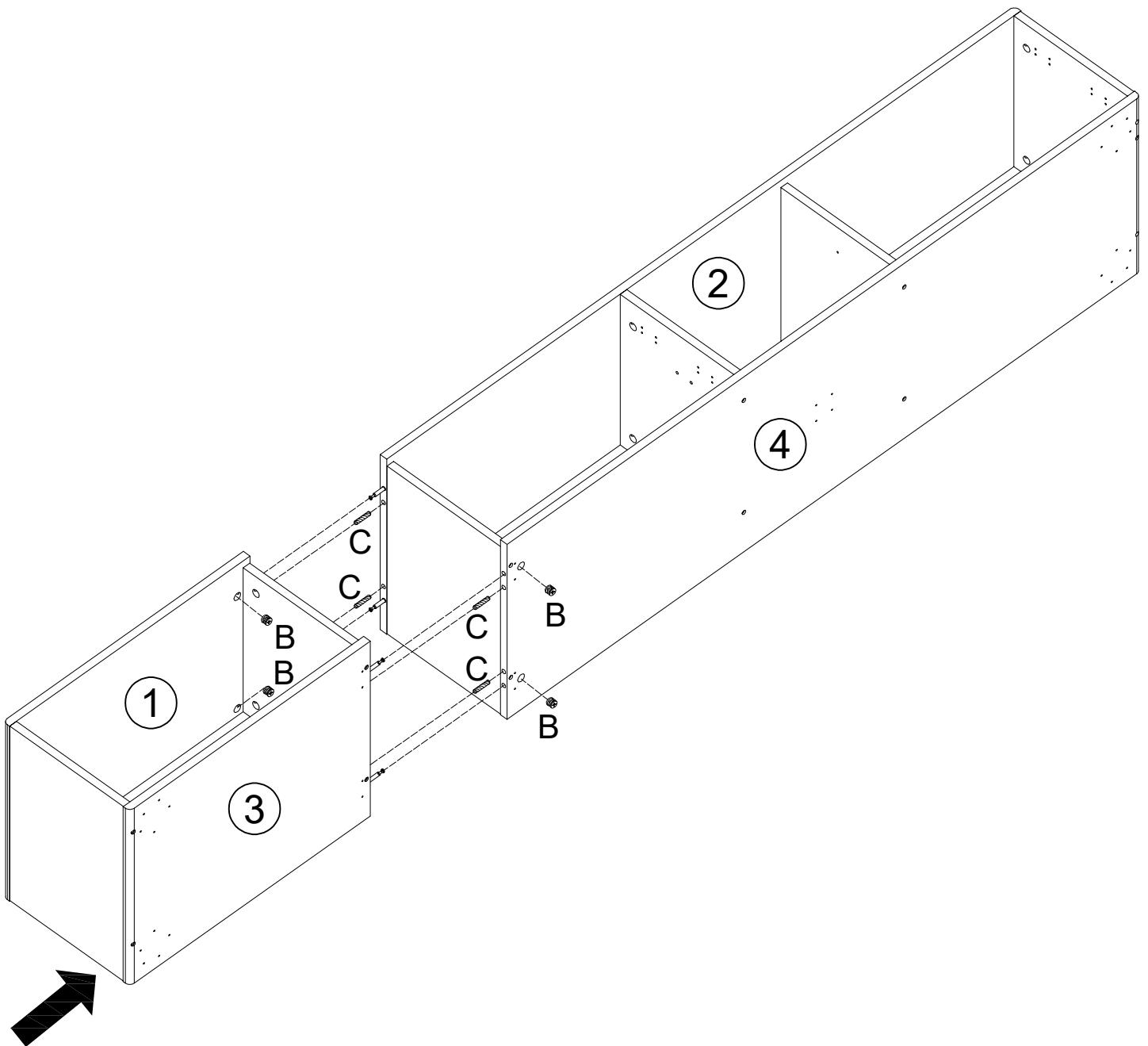
## STEP 10


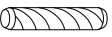


A	x2
	
M6x35mm	

# Assembly Instructions

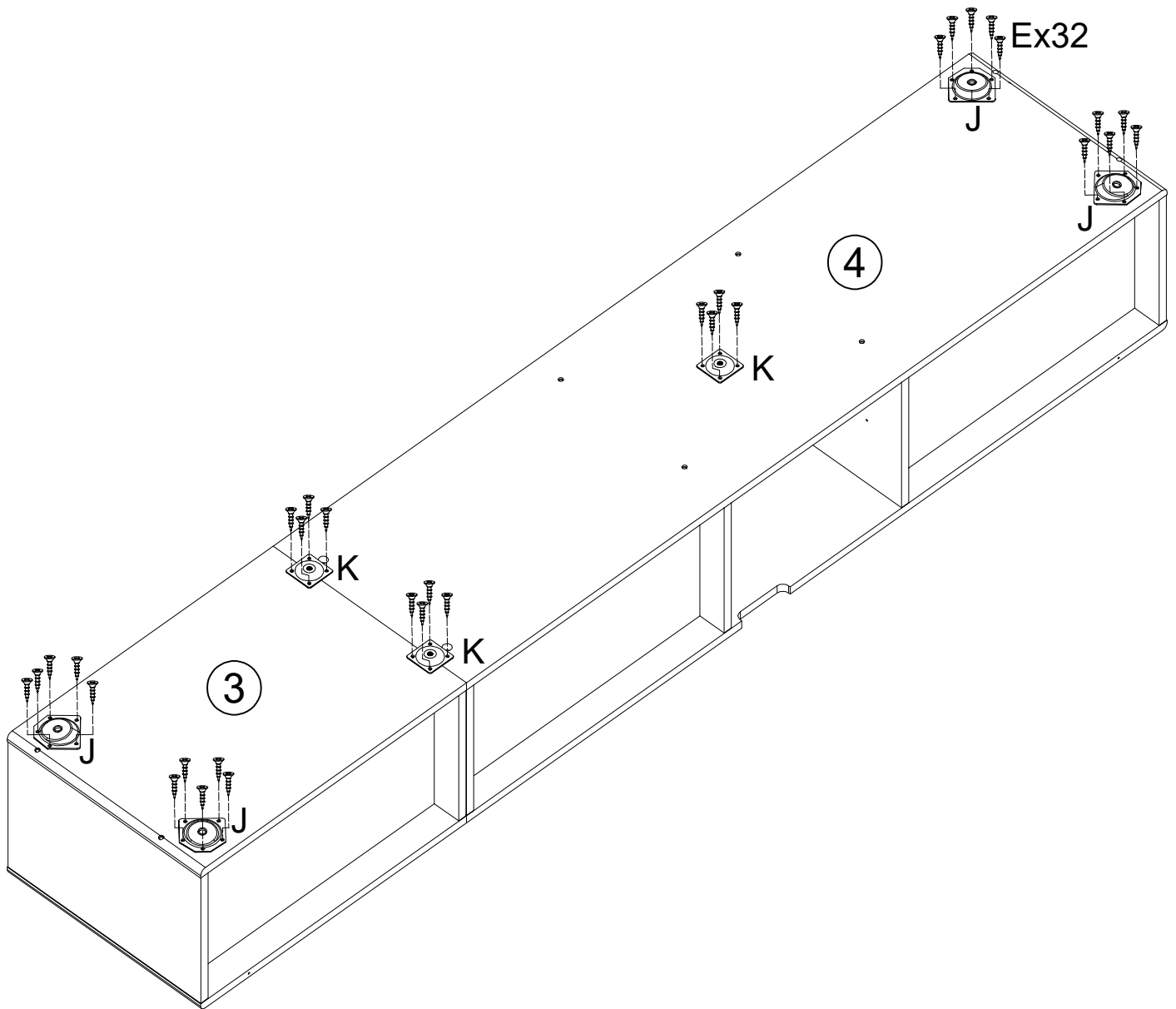
## STEP 11


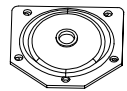
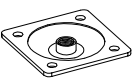


B	x4	C	x4
			
Ø15mm		Φ8x30mm	

# Assembly Instructions

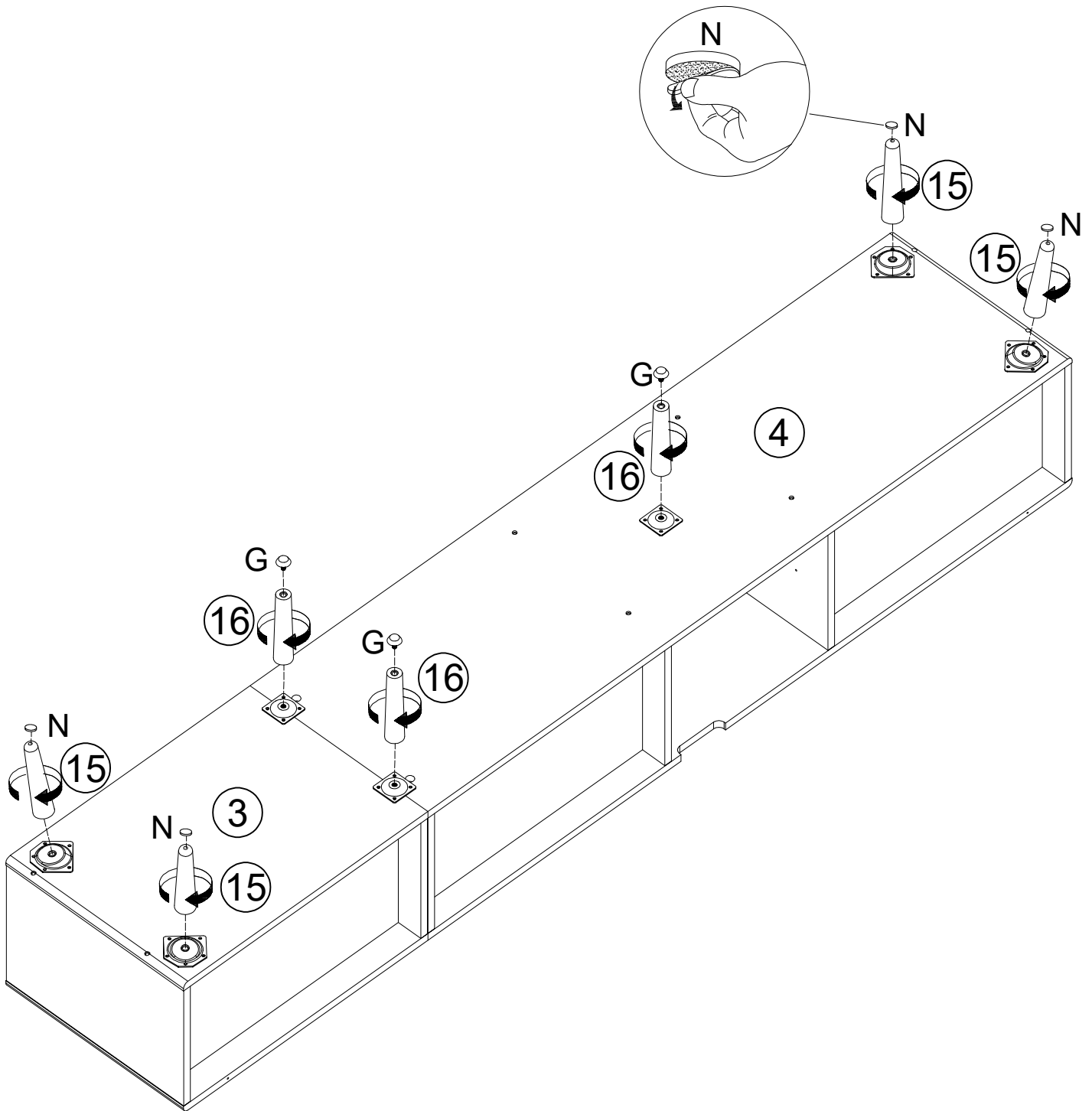
## STEP 12





E	x32	J	x4	K	x3
					
M3.5x14mm					

# Assembly Instructions

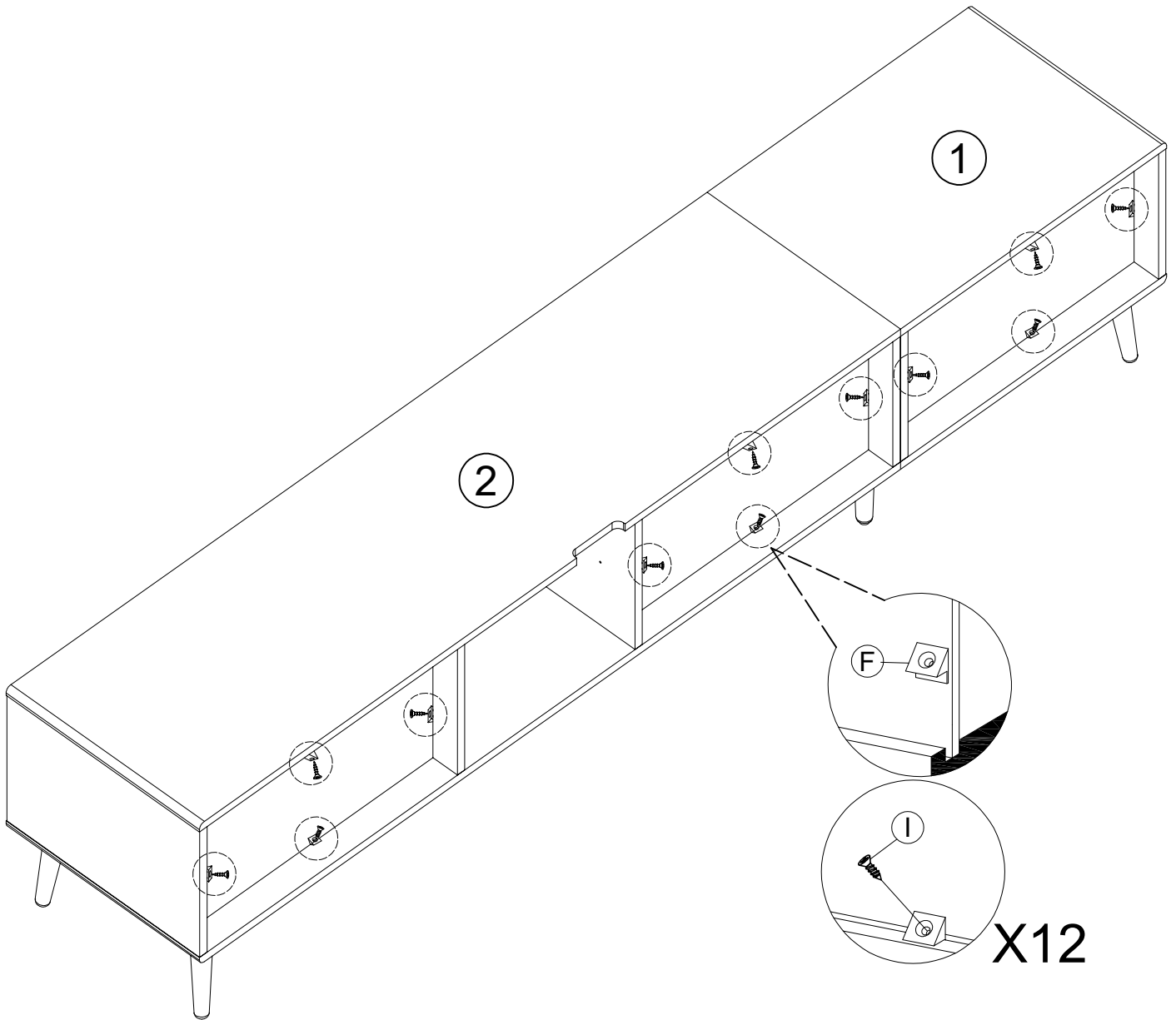
## STEP 13

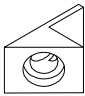
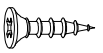


G	x3	N	x4
			
		EVA	

# Assembly Instructions

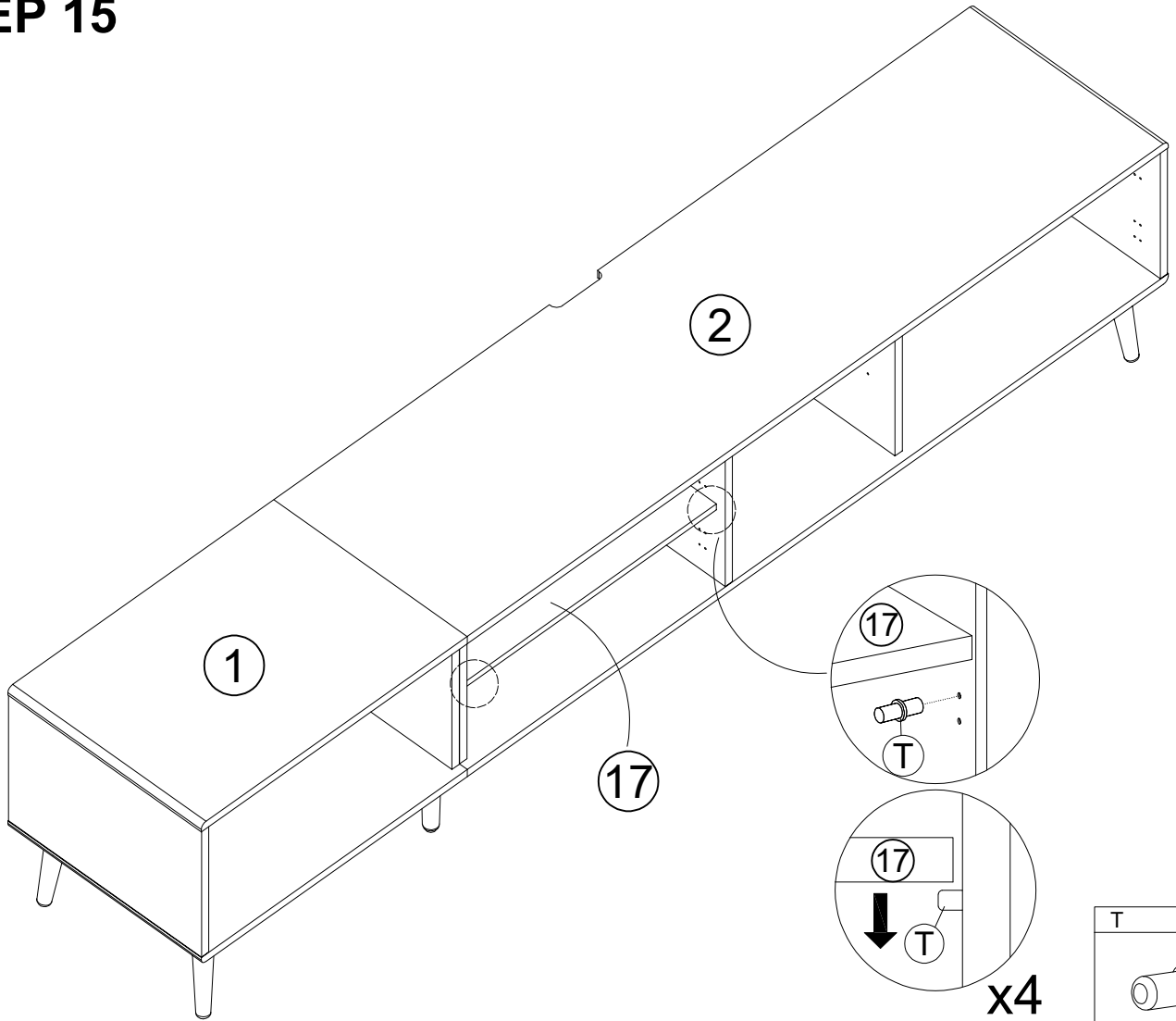
## STEP 14



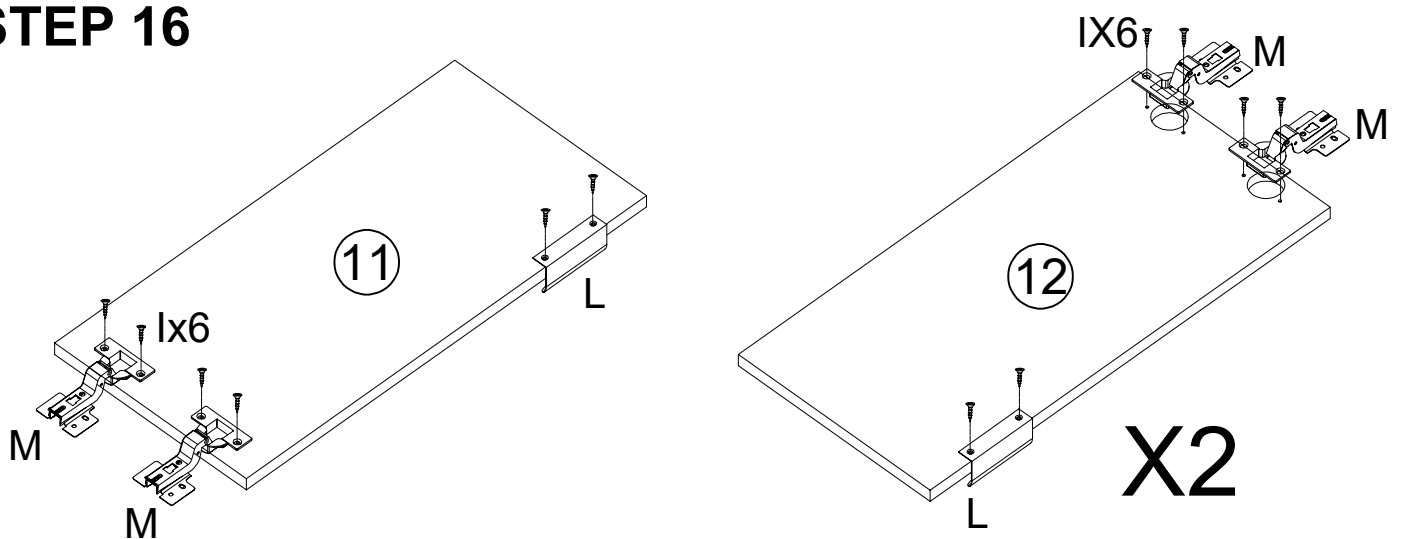
F	x12	I	x12
			
M3.5x14mm			

# Assembly Instructions

## STEP 15



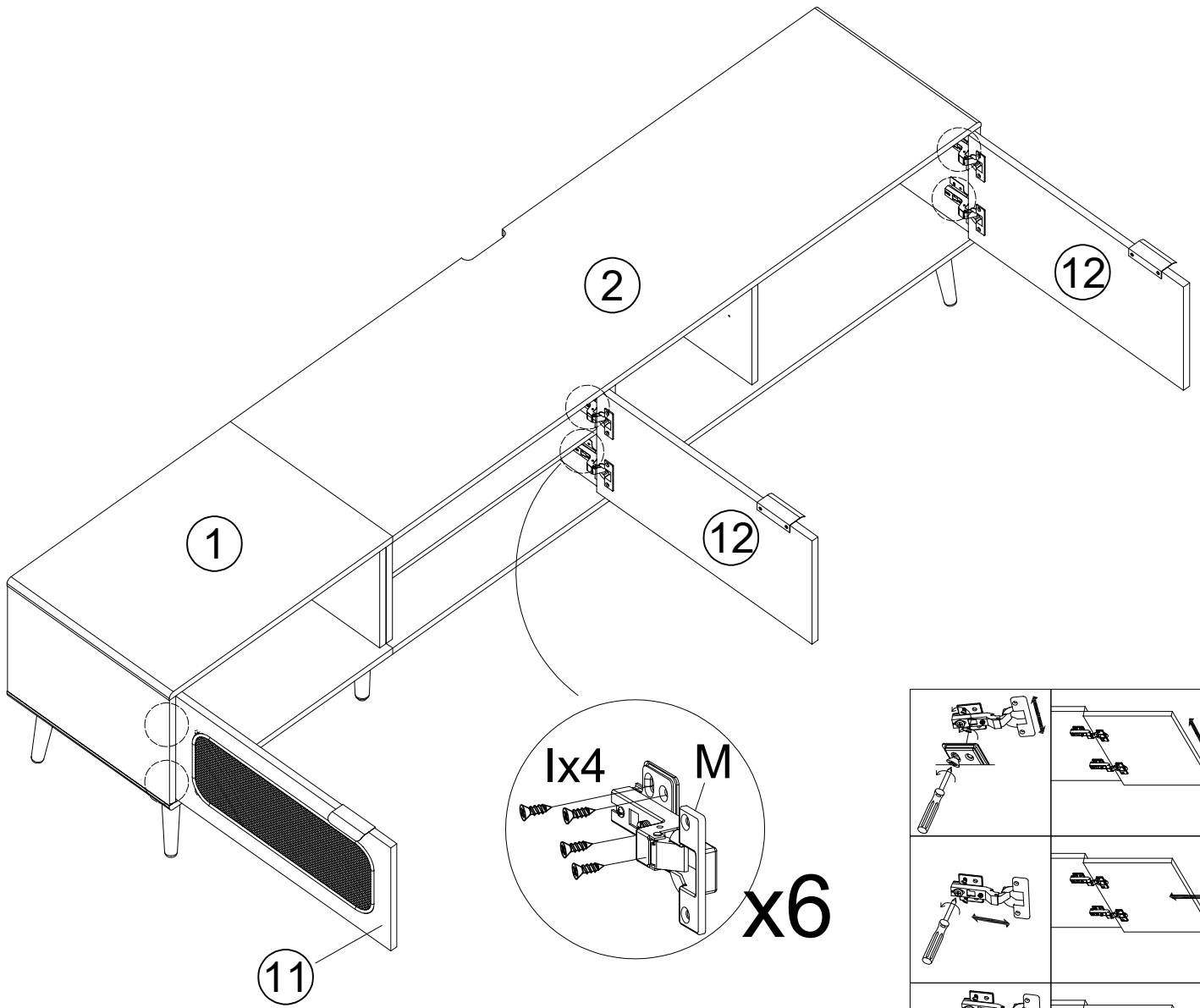
## STEP 16



M	x6	L	x3	I	x18
M3.5x14mm					

# Assembly Instructions

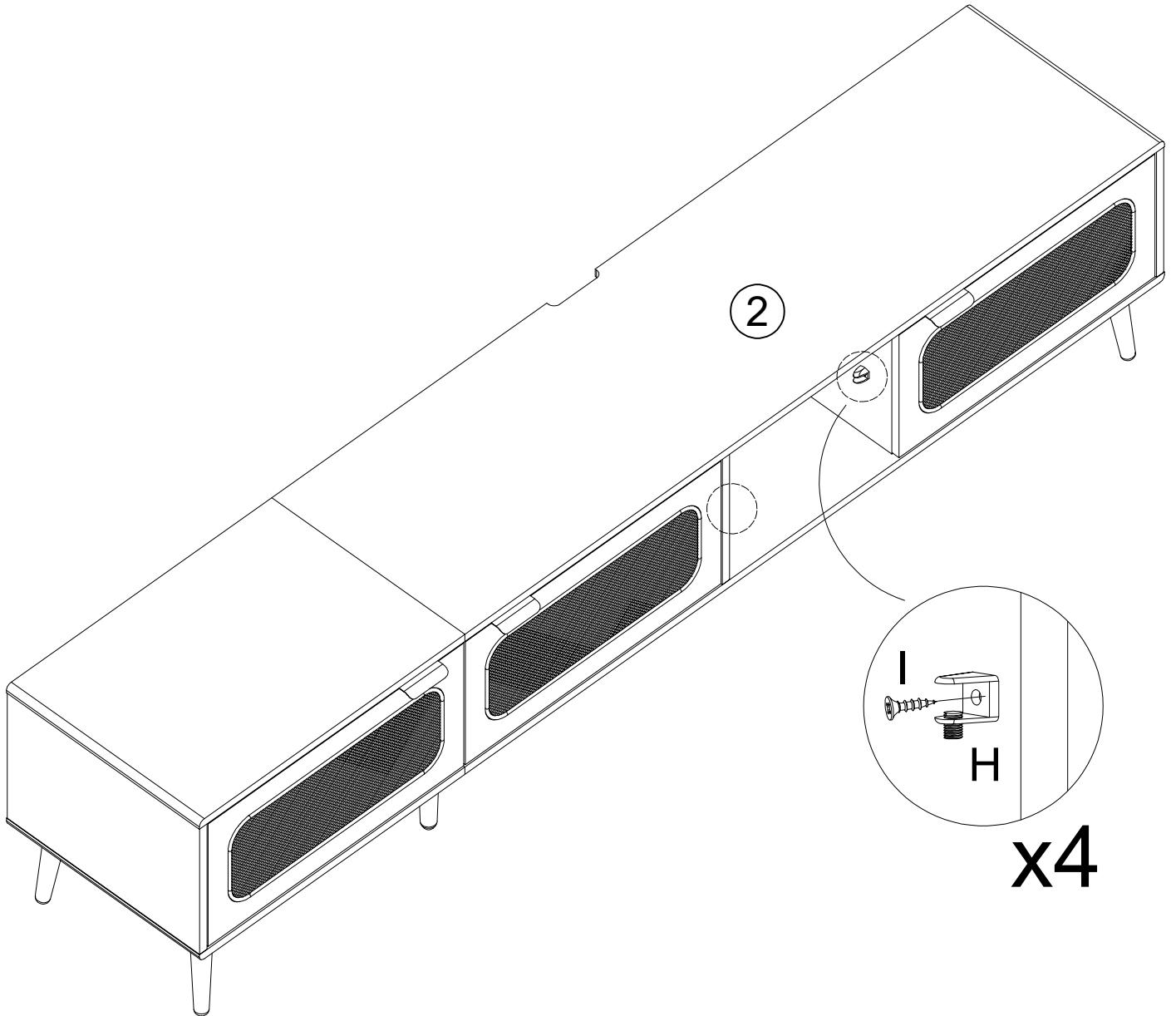
## STEP 17

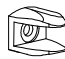
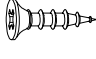


I      x24	
M3.5x14mm	

# Assembly Instructions

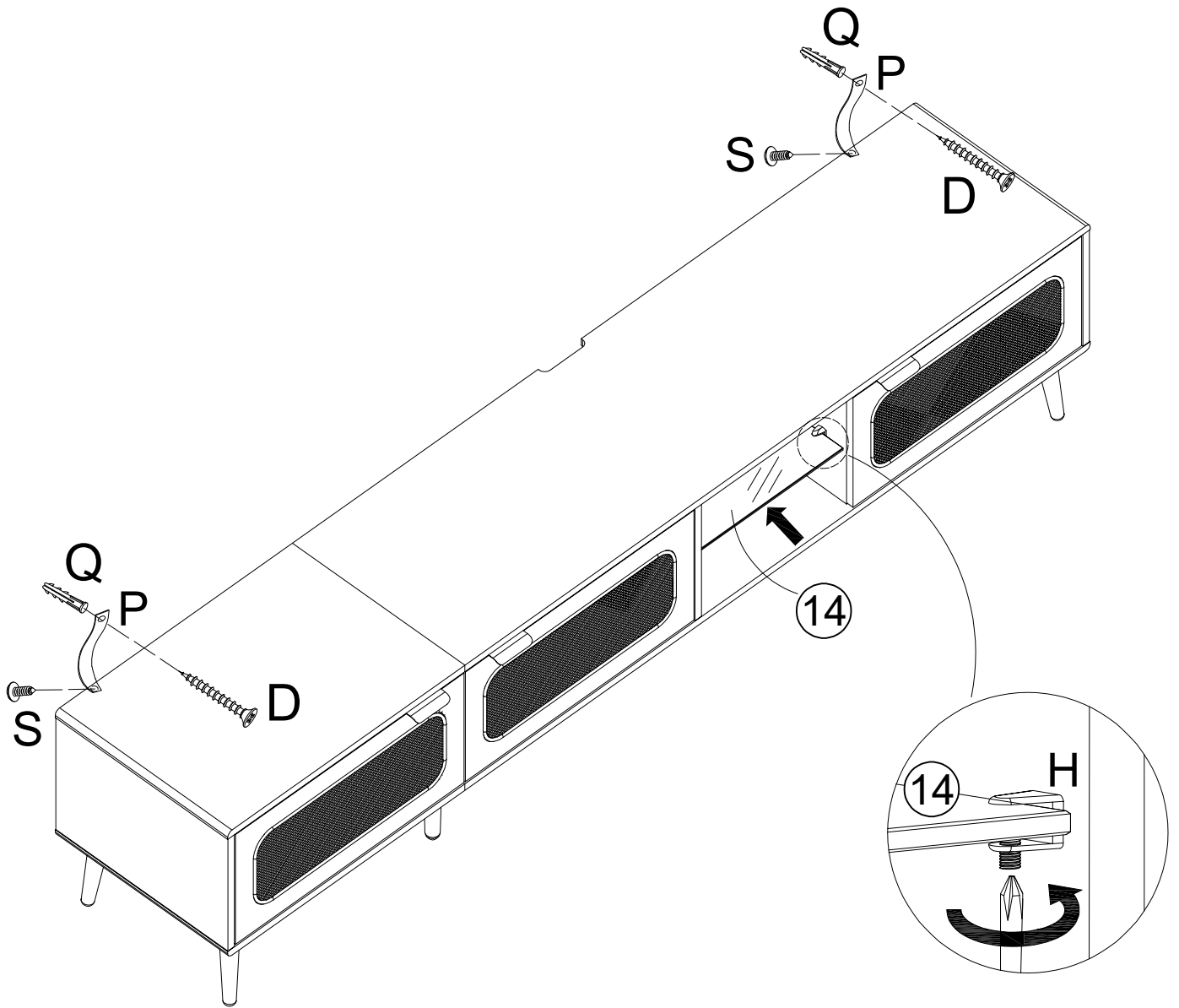
## STEP 18

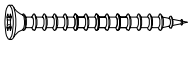


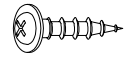


H	x4	I	x4
			
		M3.5x14mm	

# Assembly Instructions

## STEP 19



D	x2	P	x2	Q	x2	S	x2
							
M4x35mm						M4x14mm	