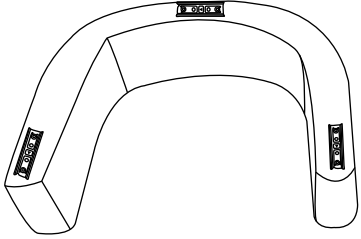
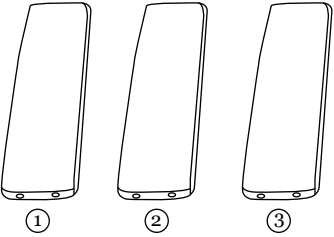
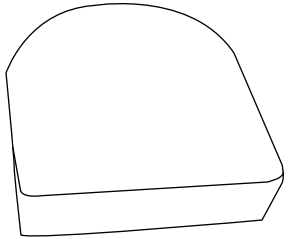


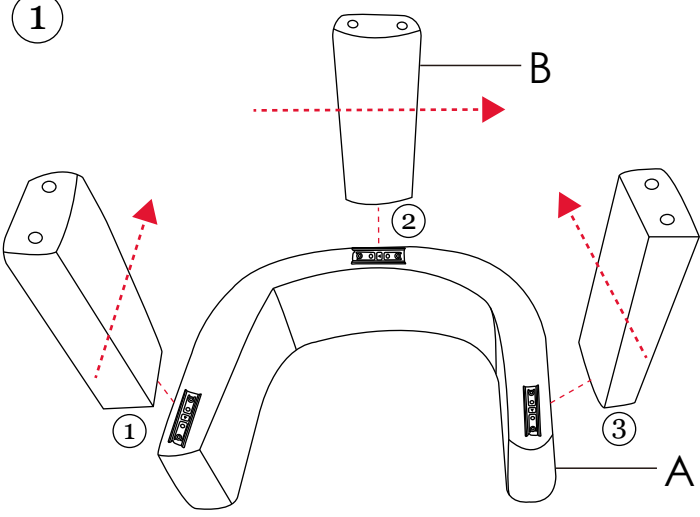


ASSEMBLY INSTRUCTION

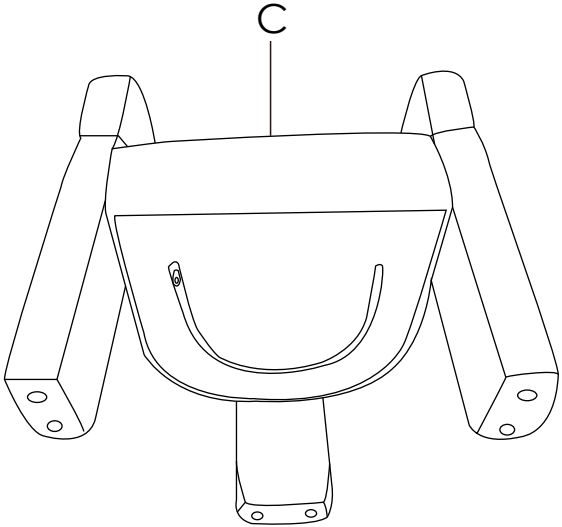
<p>Ax1</p> 	<p>Bx3</p> 	<p>Cx1</p> 
<p>Dx6</p>  <p>M8x55mm</p>	<p>Ex1</p> 	

①

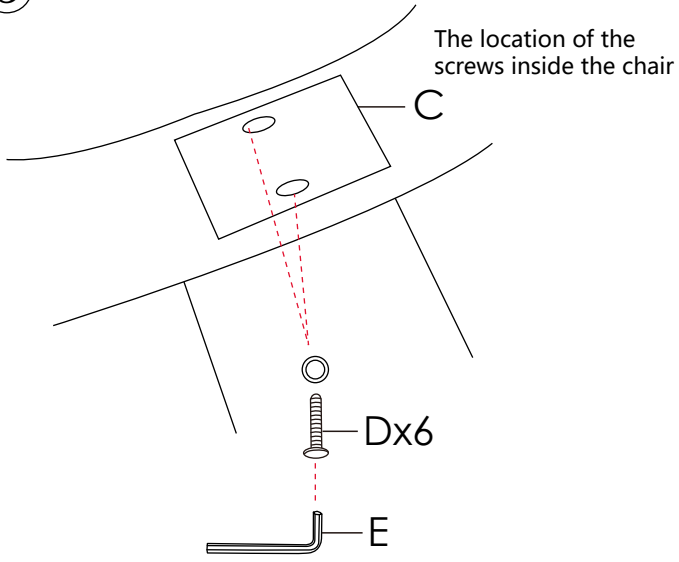


Please install the chair legs in the order indicated.

②



③



The location of the screws inside the chair

Dx6

E

Tips: first tighten the screws 60% and finally tighten them all.

④

