

## - 3 DOOR 2 DRAWER WARDROBE ASSEMBLY INSTRUCTIONS

Thank you for purchasing the **3 DOOR 2 DRAWER WARDROBE**. Please read the instructions carefully to ensure safe operation of the product.



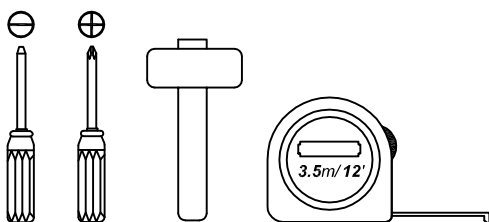
Size: (W)1118 x (D)520 x (H)1800mm  
Colour : BIANCO OAK / LANCASTER GREY

**PLEASE READ** this sheet prior to assembly to familiarise yourself with the various stages of construction.

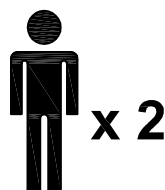
Carefully open the pack supplied and check the contents against the parts and fittings check list. Do not destroy any of the packaging until you are certain that you have all the necessary parts for the assembly.

**CAUTION:** There are small components used in the construction of this unit. These loose items should be kept away from young children whilst assembling your unit to avoid the danger of choking hazards.

### Tools Required



### Person Required



### Approximate Assembly Time



## **IMPORTANT - READ CAREFULLY - RETAIN THESE INSTRUCTIONS FOR FUTURE REFERENCE.**

### **INFORMATION**

- The wardrobe is intended to for a maximum weight of **40 kg** spread evenly throughout the product do not exceed this weight.
- Due to the size of this product we recommend that it is assembled in the room intended for use.
- When you are ready to start, make sure that you have the right tools, plenty of space and a clean, dry area for assembly.
- Unwrap all packaging materials and place the components on top of the carton box or on a clean floor to prevent it from scratching.
- Check the pack and make sure you have all the parts listed.
- Ensure that this product is fully assembled as illustrated before use.
- Check all screws or bolts are tightened and inspect regularly
- This product should only be used on firm, level ground.
- Keep small parts out of reach of children.
- Make sure the legs remain in contact with the ground.
- Tools not included.

### **WARNINGS**

- DO NOT use power tools to construct this product.
- DO NOT tighten screws until fully assembled.
- DO NOT over tighten screws or bolts.
- DO NOT use this product if parts are missing, damaged or worn.
- DO NOT sit or stand on the product.

### **CARE INFORMATION**

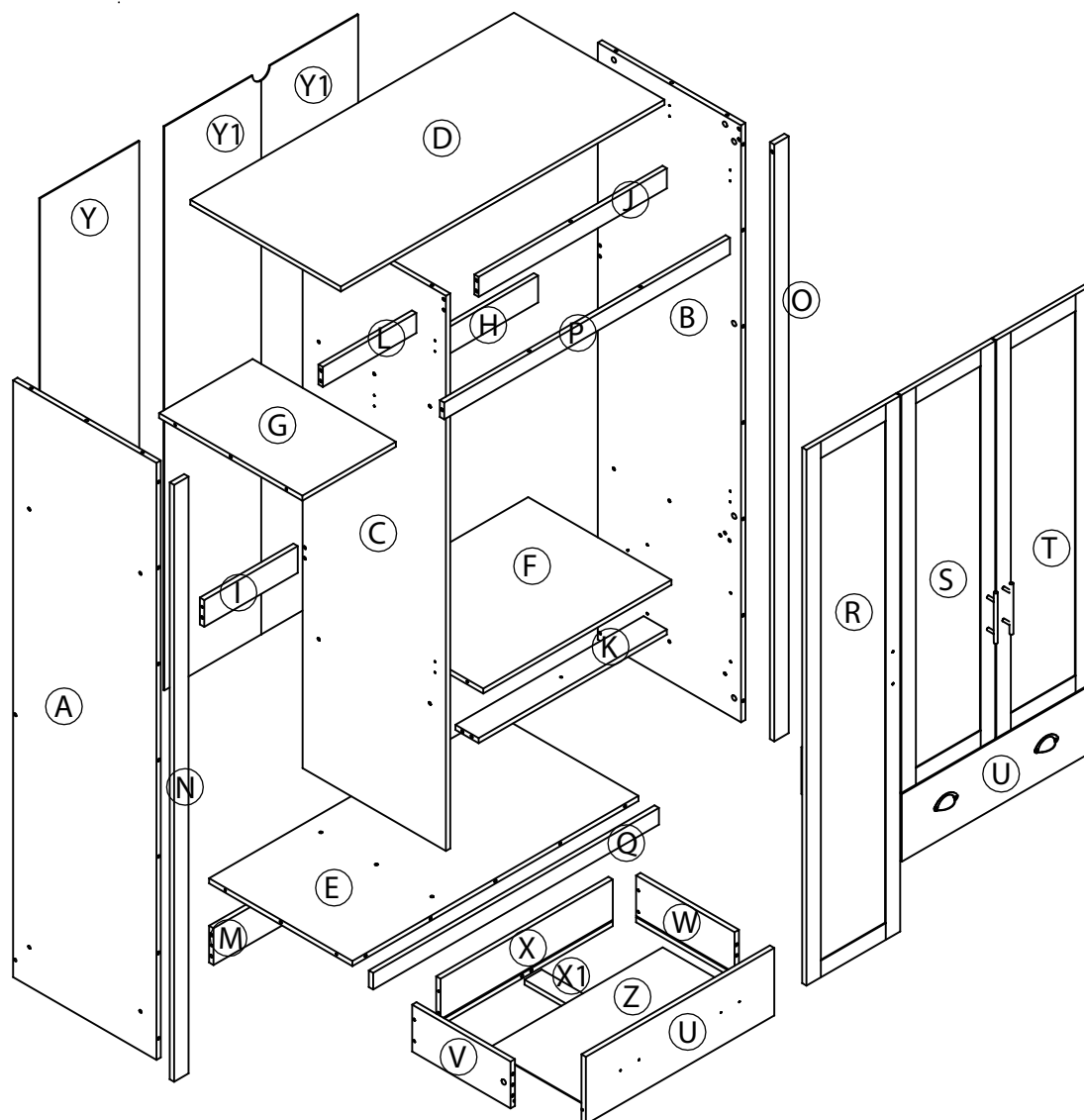
- Never use scourers, abrasives or chemical cleaners.
- To clean wipe with a sponge and warm soapy water. Do not use solvent based cleaners or detergents as they can bleach or damage the product.

Please check the pack contents before assembling the product. If any components are missing, please contact your retailer. The fittings pack contains small items that should be kept away from small children.

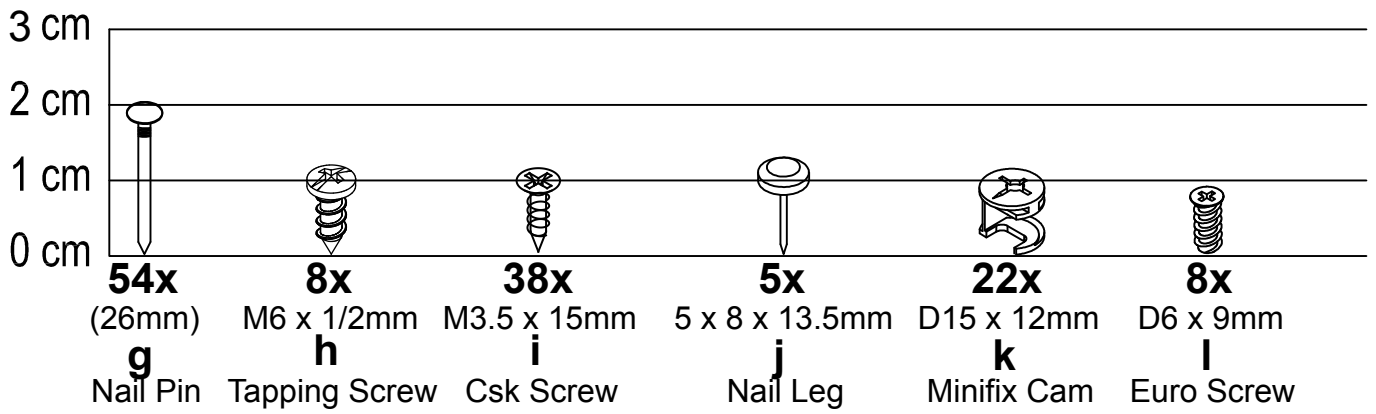
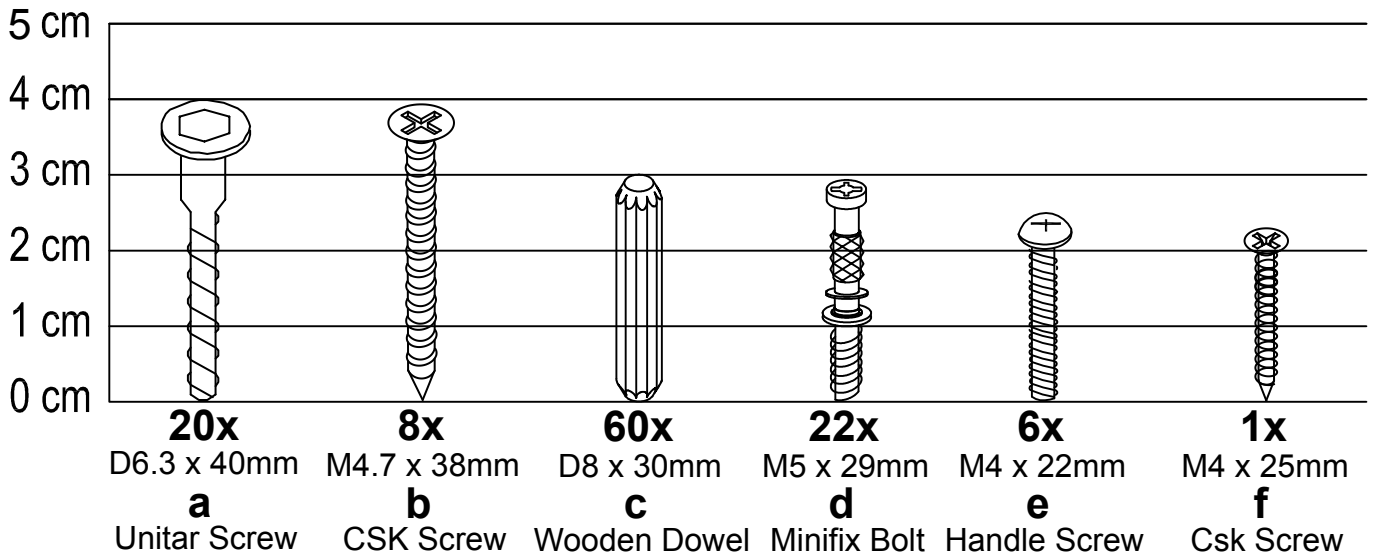
## Parts

CODE	PART NAME	QTY
A	Side Panel (L) (15 x 495 x 1785mm)	1
B	Side Panel (R) (15 x 495 x 1785mm)	1
C	Center Panel (15 x 495 x 1660mm)	1
D	Top Panel (15 x 520 x 1118mm)	1
E	Bottom Panel (15 x 495 x 988mm)	1
F	Fix Panel (15 x 495 x 650mm)	1
G	Fix Shelf (15 x 495 x 323mm)	1
H	Support Bar (R) (15 x 80 x 650mm)	1
I	Support Bar (L) (15 x 80 x 323mm)	1
J	Front Support Bar (R) (15 x 60 x 650mm)	1
K	Front Support Bar (15 x 80 x 650mm)	1
L	Front Support Bar (L) (15 x 60 x 323mm)	1
M	Rear Bar (Bottom) (15 x 110 x 988mm)	1
N	Front Bar (L) (15 x 50 x 1785mm)	1

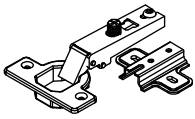
CODE	PART NAME	QTY
O	Front Bar (R) (15 x 50 x 1785mm)	1
P	Front Support Bar (15 x 50 x 987mm)	1
Q	Bottom Support Bar (15 x 50 x 987mm)	1
R	Door (L) (15 x 324 x 1602mm)	1
S	Door (M) (15 x 324 x 1190mm)	1
T	Door (M) (15 x 324 x 1190mm)	1
U	Drawer Front (15 x 202 x 650mm)	2
V	Drawer Side (L) (15 x 140 x 340mm)	2
W	Drawer Side (R) (15 x 140 x 340mm)	2
X	Drawer Back (15 x 140 x 595mm)	2
X1	Drawer Support (15 x 60 x 325mm)	2
Y	Back Panel (2.5 x 343 x 1686mm)	1
Y1	Back Panel (2.5 x 335 x 1686mm)	2
Z	Drawer Bottom (2.5 x 334 x 604mm)	2



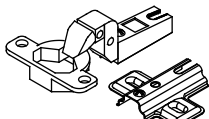
# Fixings (to scale)



## Fixings (not to scale)



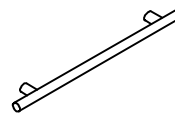
**2 sets**  
1/4"  
**m**  
Hinges



**5 sets**  
7/8"  
**n**  
Hinges



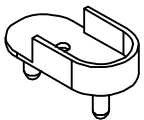
**4x**  
(64hole mm)  
**o**  
Poket Handle



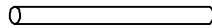
**3x**  
(L-145 x H-96mm)  
**p**  
Bar Handle



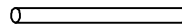
**12x**  
(D-19mm)  
**q**  
Round Sticker



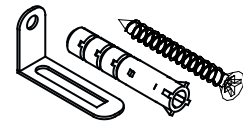
**4x**  
**r**  
Plastic U  
Bracket



**1x**  
(L-644mm)  
**s**  
Metal Hanger



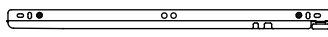
**1x**  
(L-317mm)  
**t**  
Metal Hanger



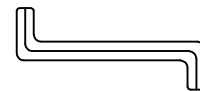
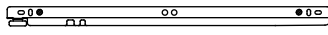
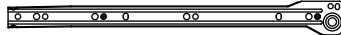
**1Sets**  
**u**  
L-Mounting Bracket +  
Wall Plug + M4 x 38mm



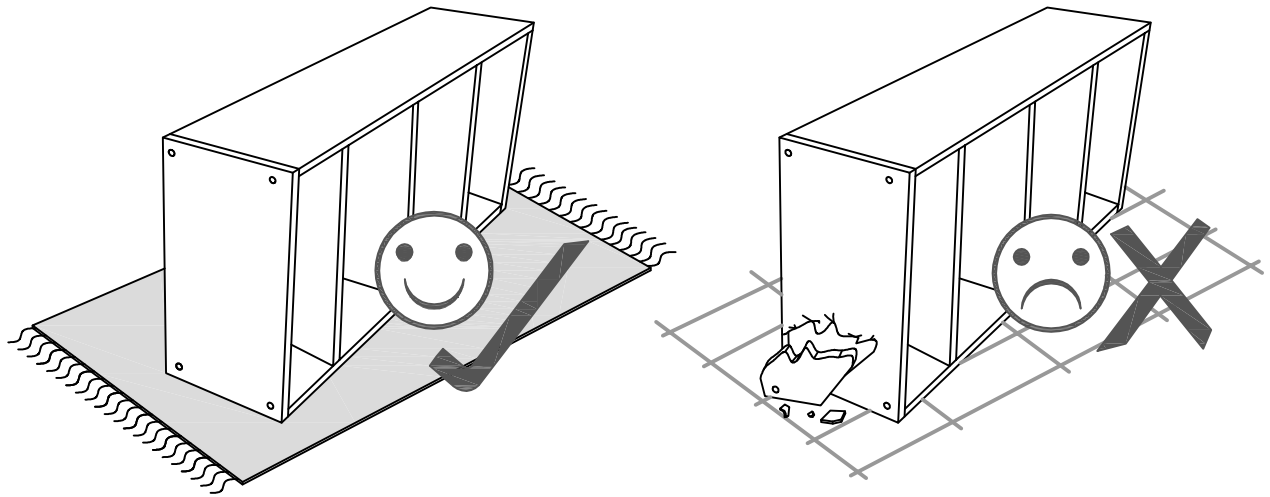
**2x**  
(350 mm)  
**v**  
Drawer Slide



**2x**  
(350 mm)  
**w**  
Drawer Slide

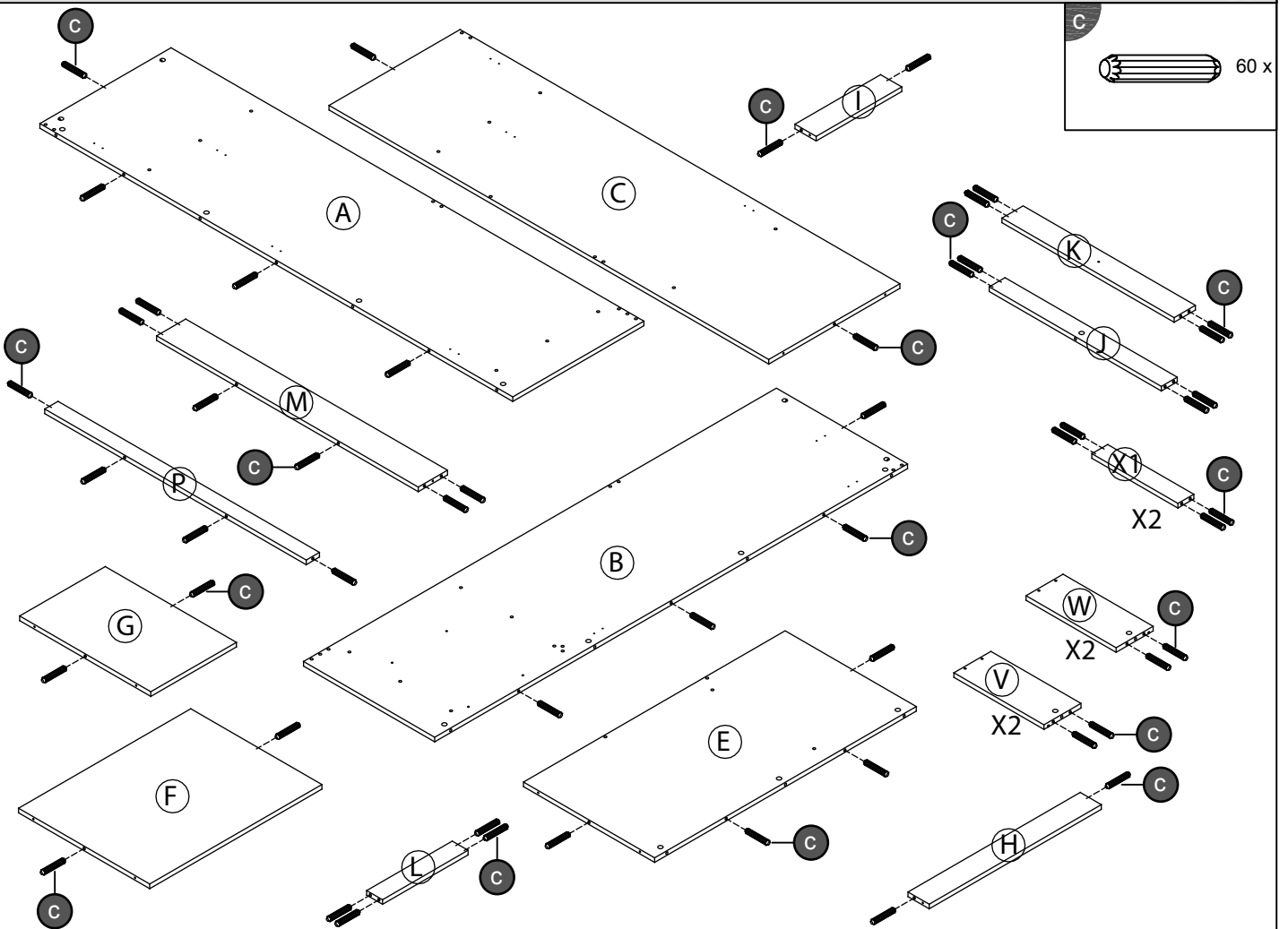


**1x**  
M4  
**x**  
Allen Key



## Layout Parts on Soft Surface


### STEP 1



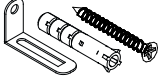
Parts Required	Qty	Parts Required	Qty	Parts Required	Qty	Parts Required	Qty
Panel (A)	1	Panel (F)	1	Panel (J)	1	Panel (P)	1
Panel (B)	1	Panel (G)	1	Panel (K)	1	Panel (V)	2
Panel (C)	1	Panel (H)	1	Panel (L)	1	Panel (W)	2
Panel (E)	1	Panel (I)	1	Panel (M)	1	Panel (X1)	2

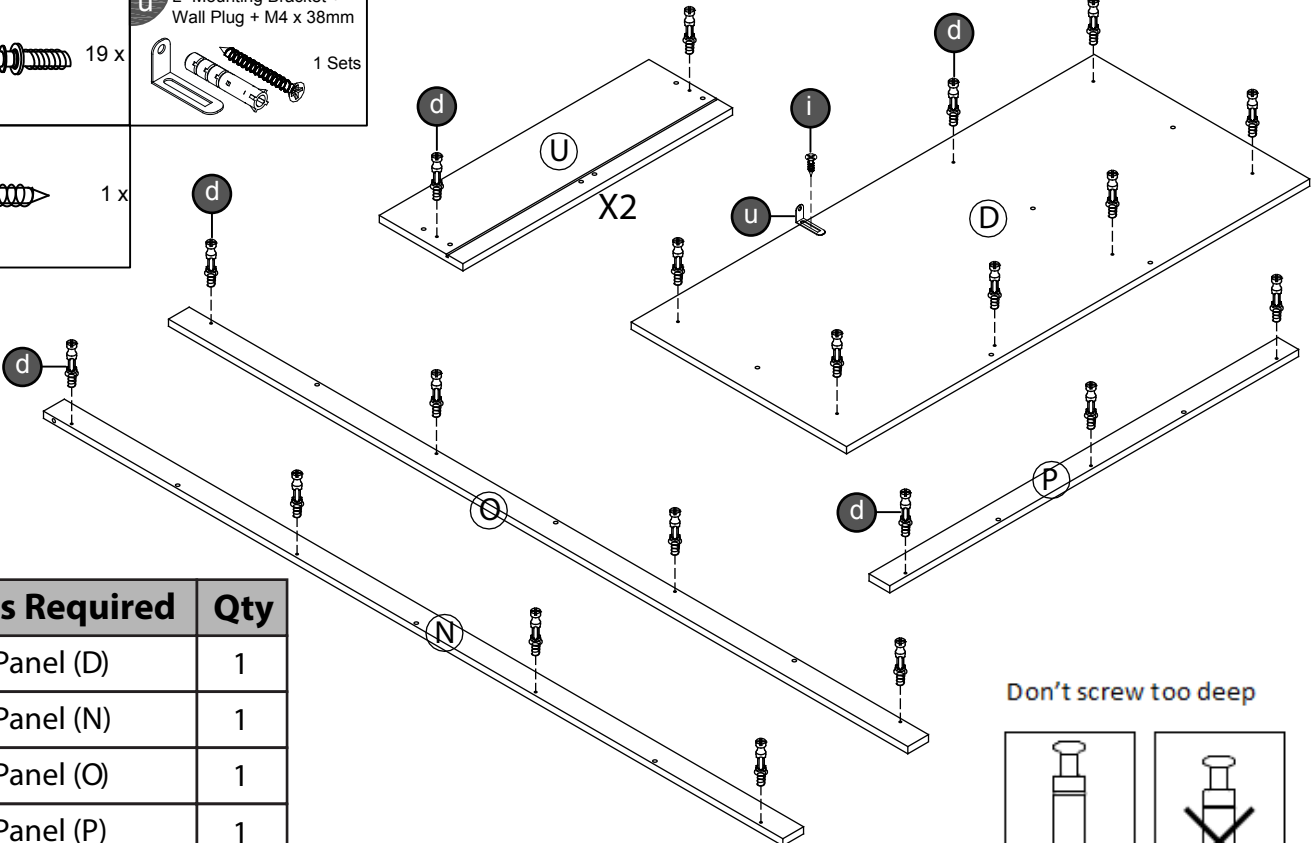
## STEP 2

**d**


 19 x

**u**

 1 Sets



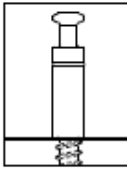
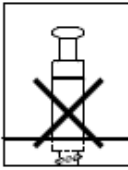
**i**

 1 x

**Parts Required**    **Qty**


Panel (D)	1
Panel (N)	1
Panel (O)	1
Panel (P)	1
Panel (U)	2

Don't screw too deep

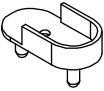



## STEP 3


**l**

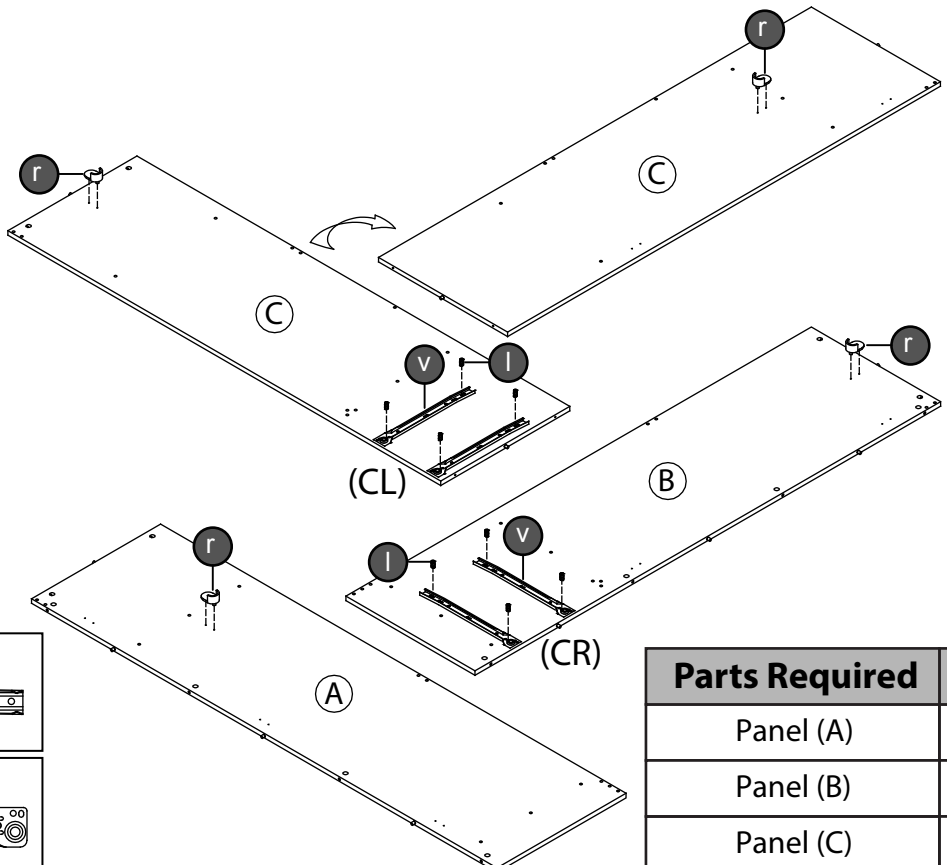
 8 x

**r**

 4 x

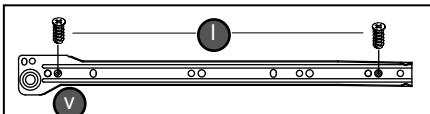
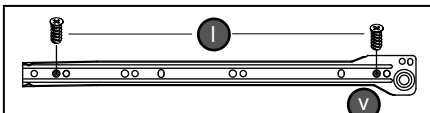
**v**

 2 x



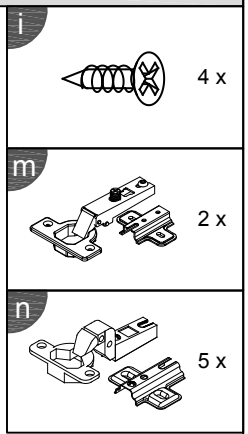
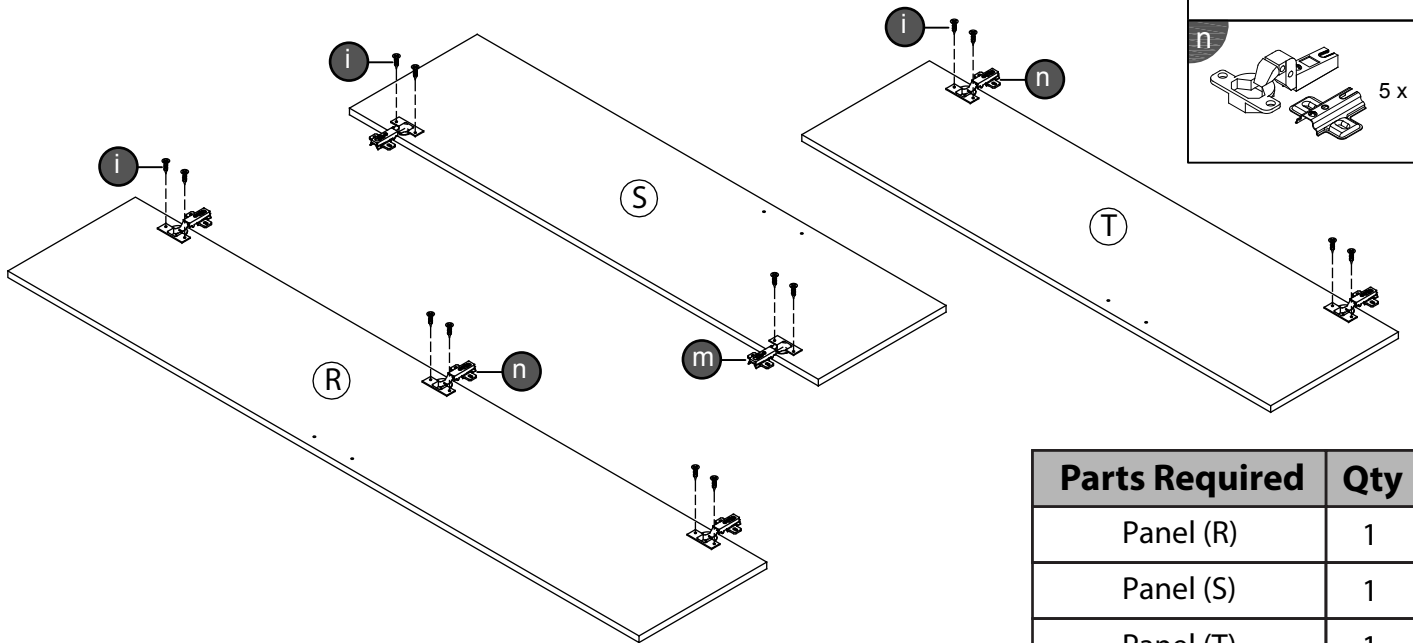
**Parts Required**    **Qty**

Panel (A)	1
Panel (B)	1
Panel (C)	1

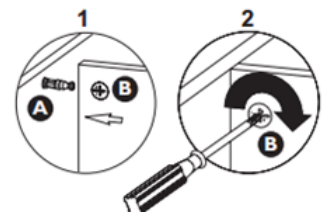
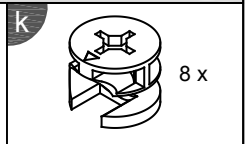
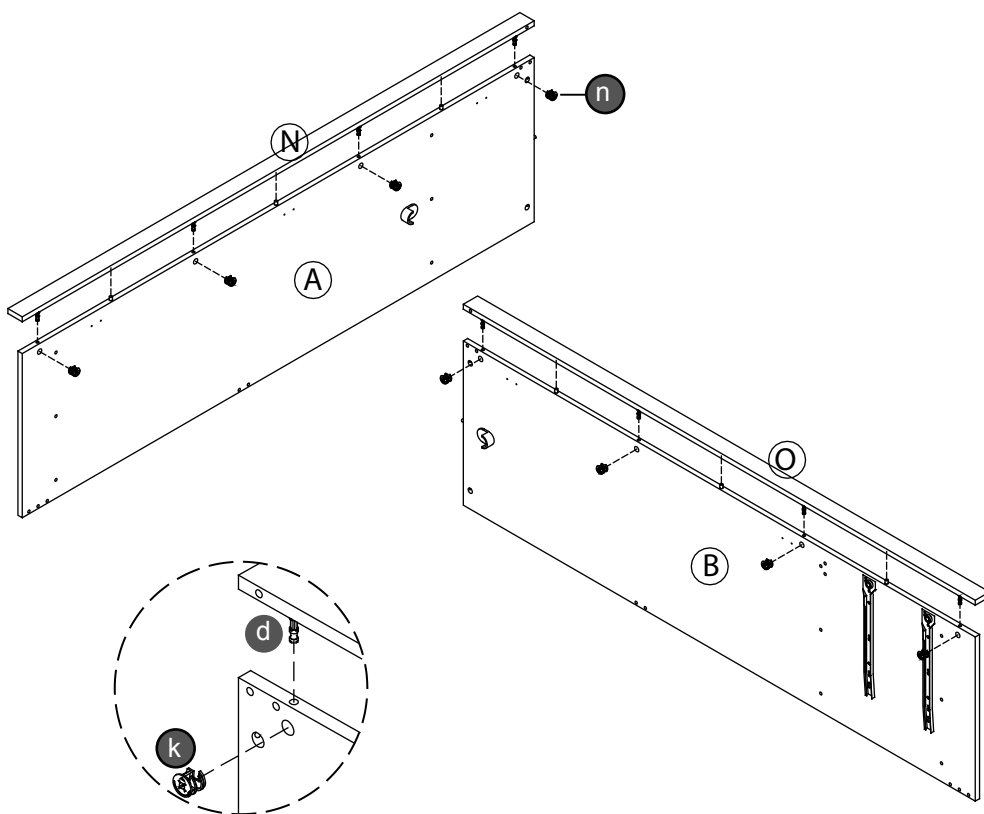
## STEP 4

**“Important do not mix Hinge set part M with Hinge set part N .  
It is important that hinge part M is fitted to correct middle door part S”**

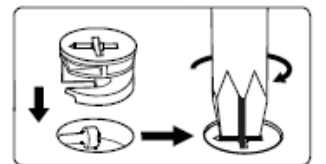


Parts Required	Qty
Panel (R)	1
Panel (S)	1
Panel (T)	1

## STEP 5

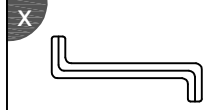
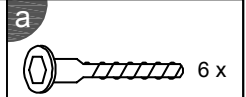
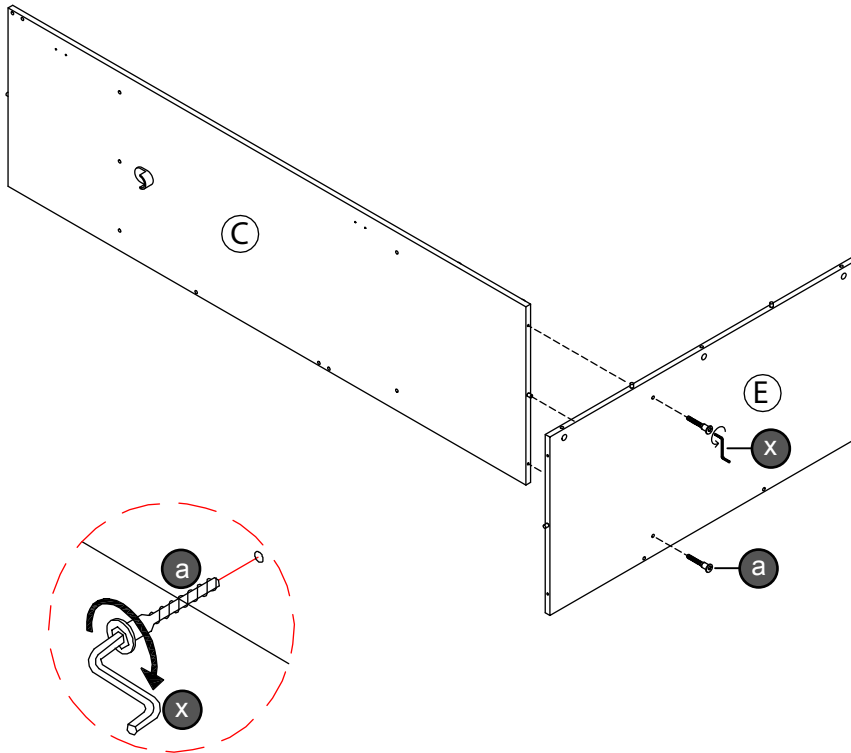


### Hints and Tips



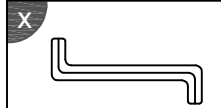
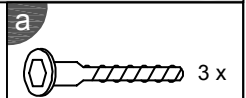
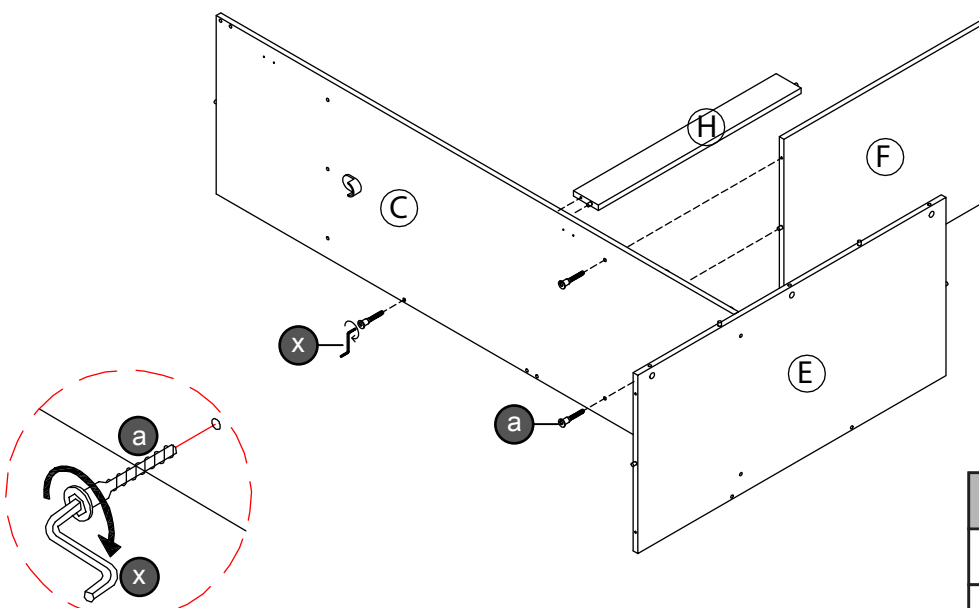
Parts Required	Qty
Panel (N)	1
Panel (O)	1

## STEP 6



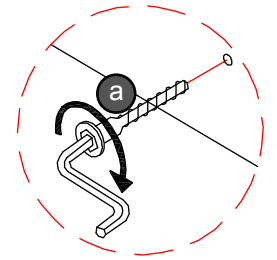
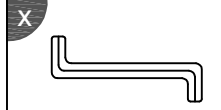
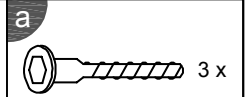
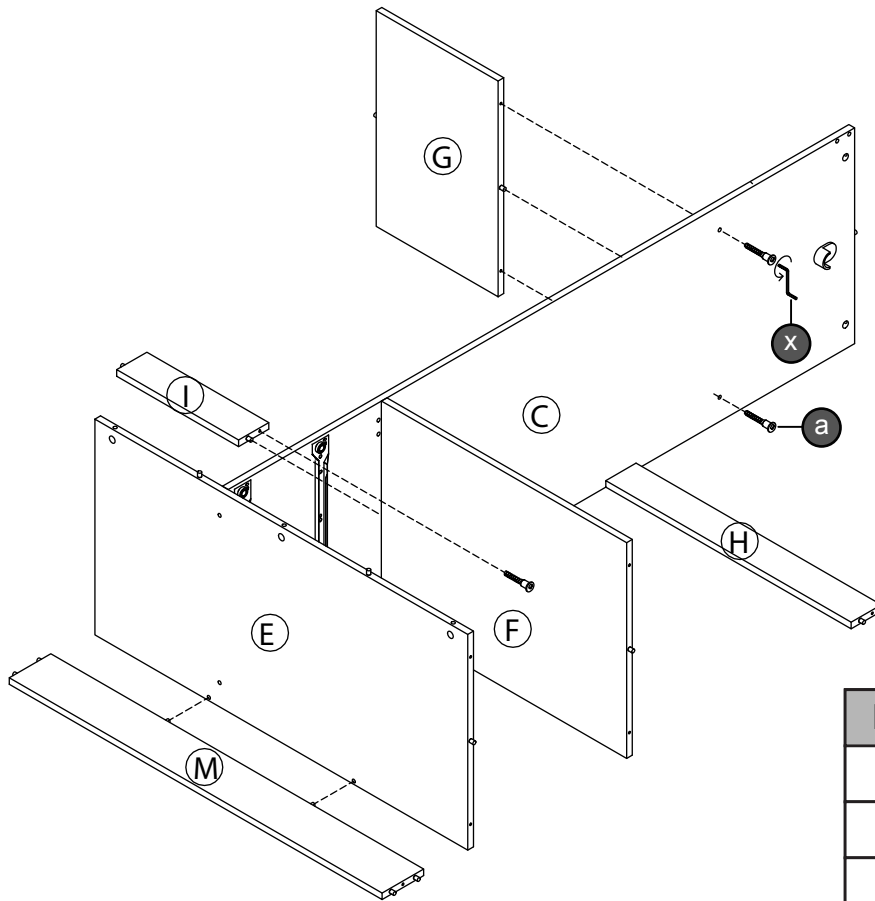
Parts Required	Qt
Panel (C)	1
Panel (E)	1

## STEP 7



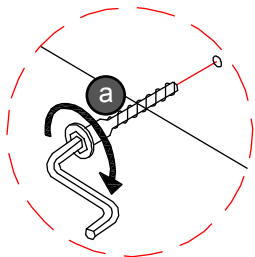
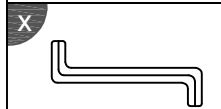
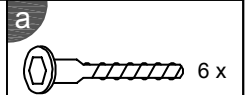
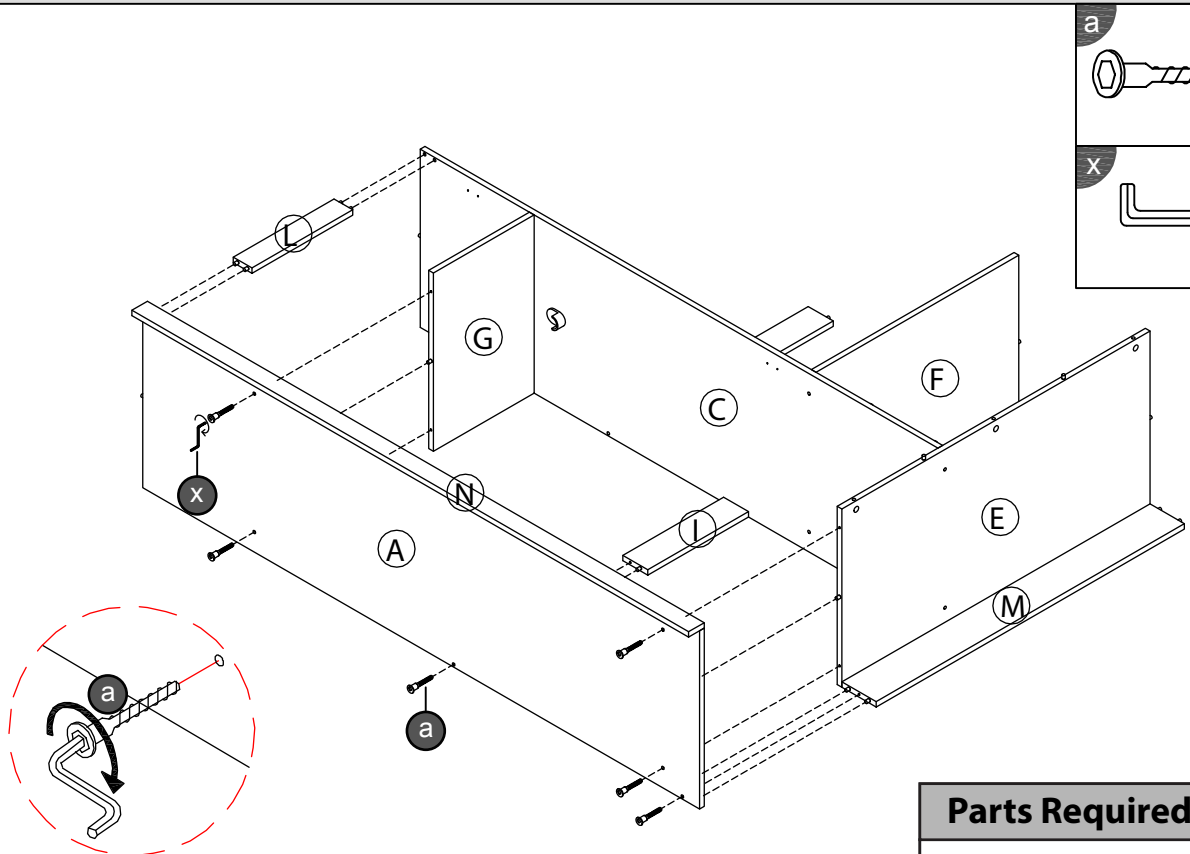
Parts Required	Qt
Panel (F)	1
Panel (H)	1

## STEP 8



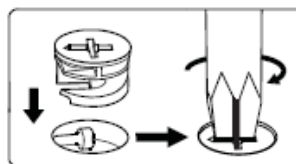
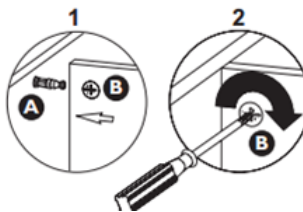
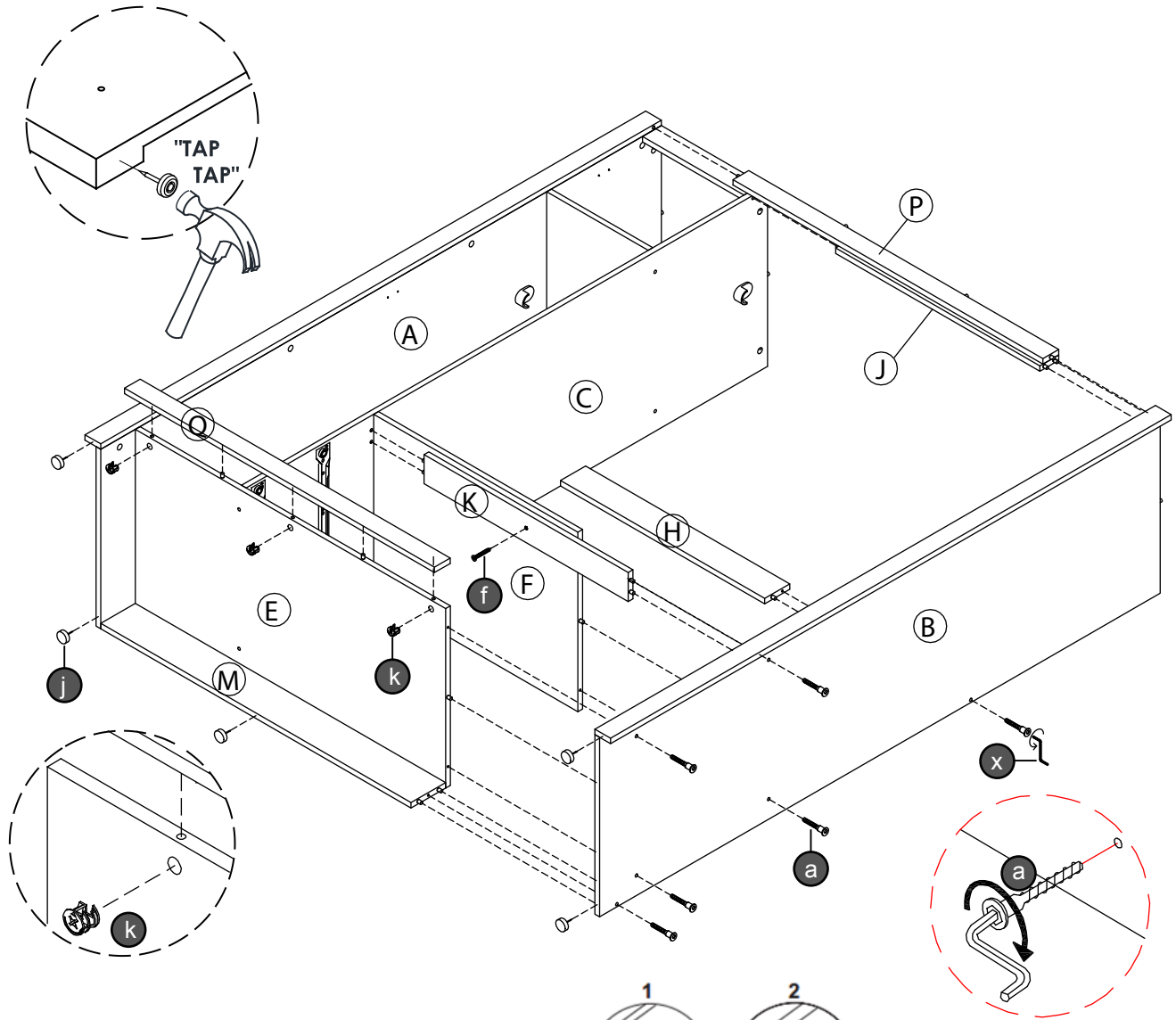
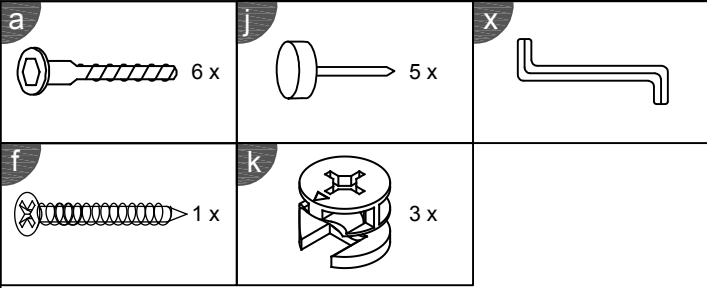
Parts Required	Qt
Panel (G)	1
Panel (I)	1
Panel (M)	1

## STEP 9



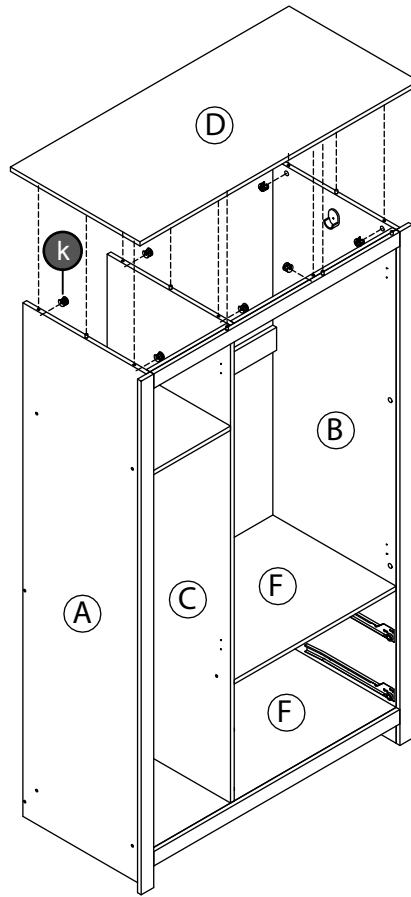
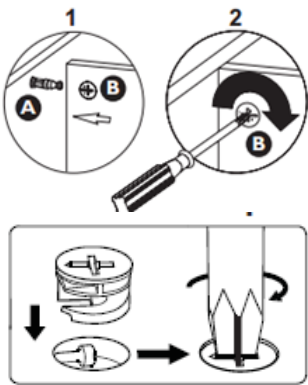
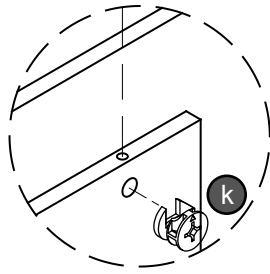
Parts Required	Qt
Panel (L)	1

# STEP 10



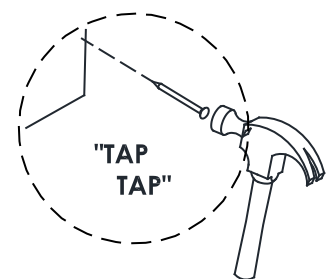
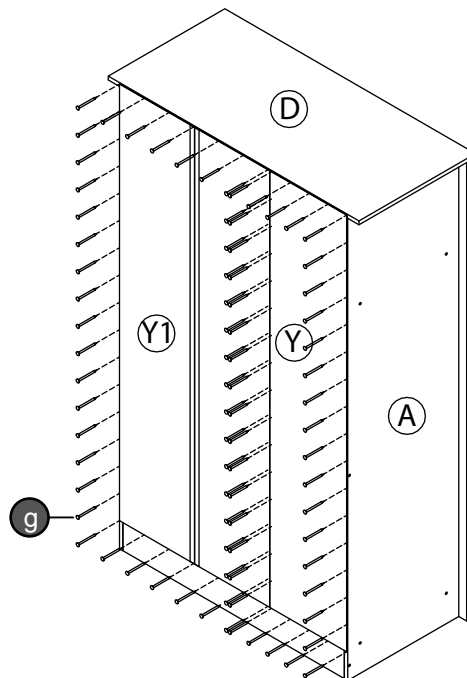
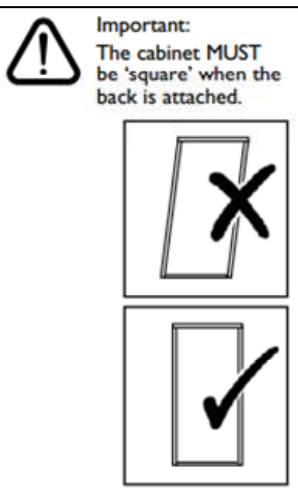
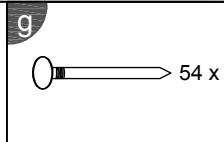
Parts Required	Qt
Panel (J)	1
Panel (K)	1
Panel (P)	1
Panel (Q)	1

# STEP 11

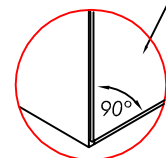


Parts Required	Qt
Panel (D)	1

# STEP 12

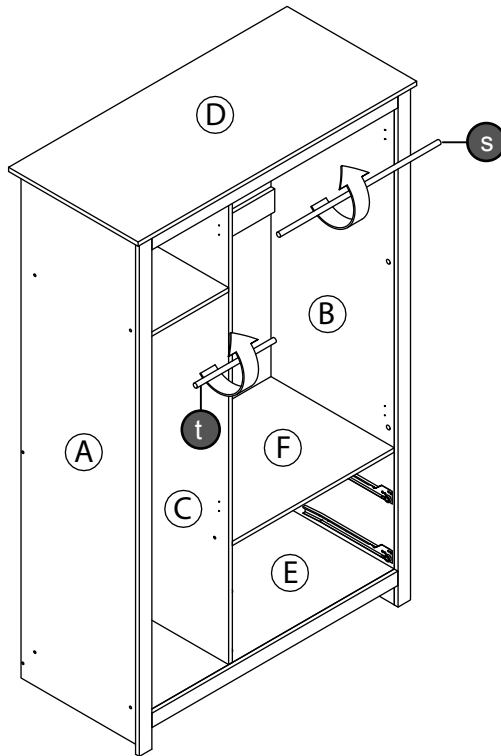


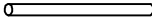
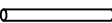
PLEASE ENSURE THAT EACH OF THE FOUR CORNERS OF THE CABINET IS SQUARE.



Parts Required	Qt
Panel (Y)	1
Panel (Y1)	2

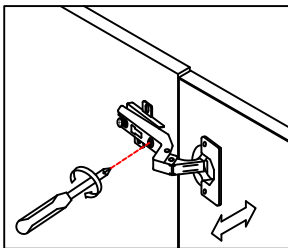
# STEP 13



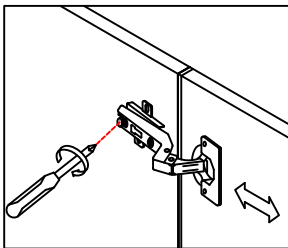
- s**  1 x
- t**  1 x

Parts Required	Qt
Panel (D)	1

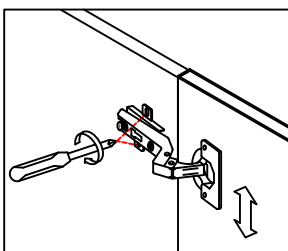
# STEP 14



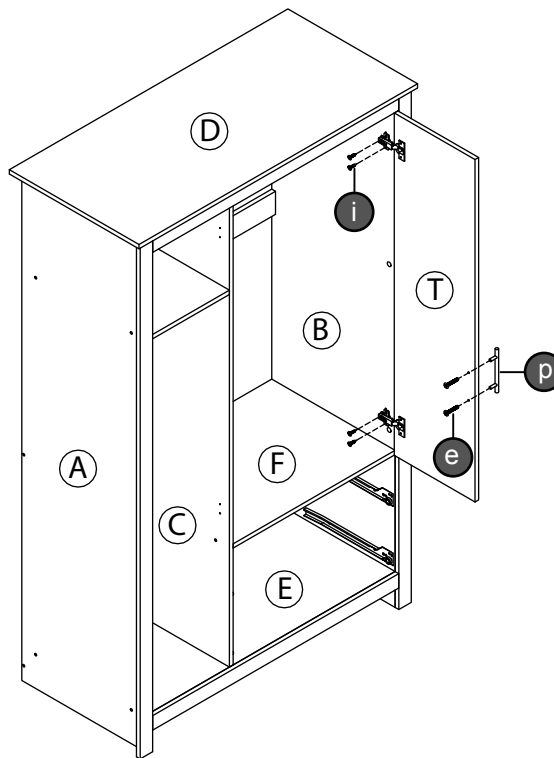
**A. Lateral adjustment**


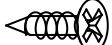
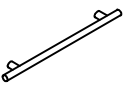


**B. Front-to-Back adjustment**

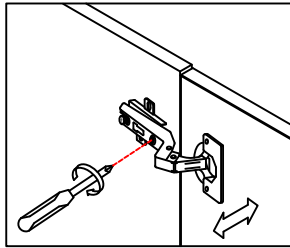


**C. Vertical Adjustment**

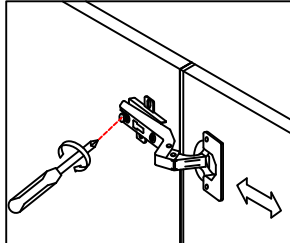


- e**  2 x
- i**  4 x
- p**  1 x

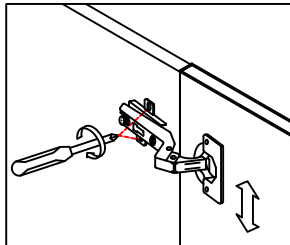
## STEP 15



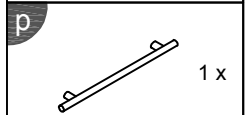
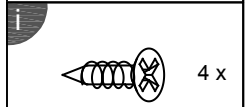
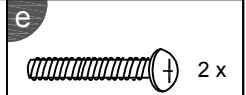
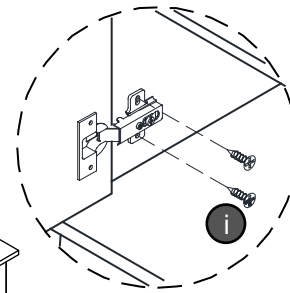
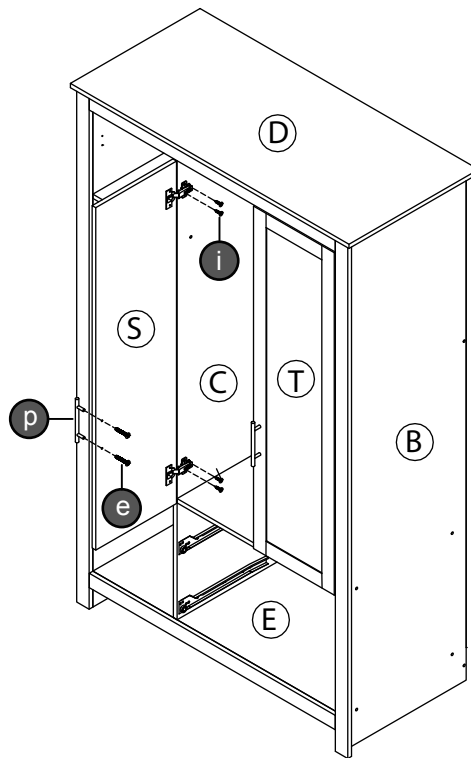
**A.**Lateral adjustment



**B.**Front-to-Back adjustment

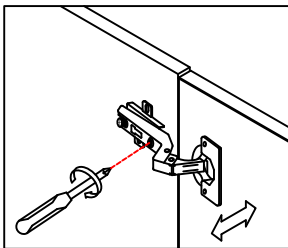


**C.**Vertical Adjustment

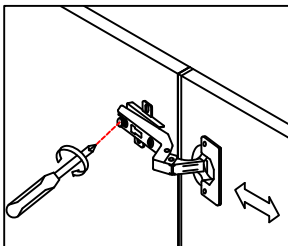


Parts Required	Qt
Panel (S)	1

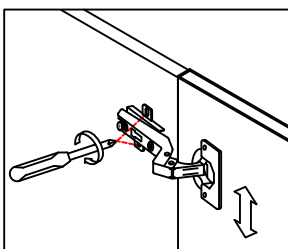
## STEP 16



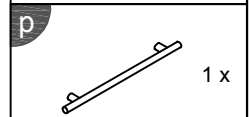
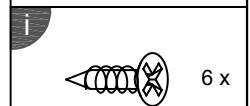
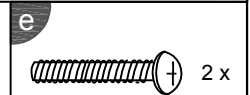
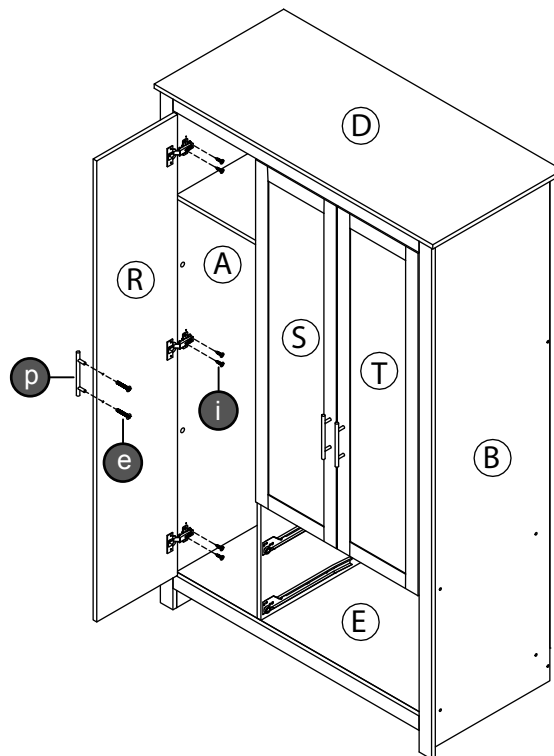
**A.**Lateral adjustment



**B.**Front-to-Back adjustment

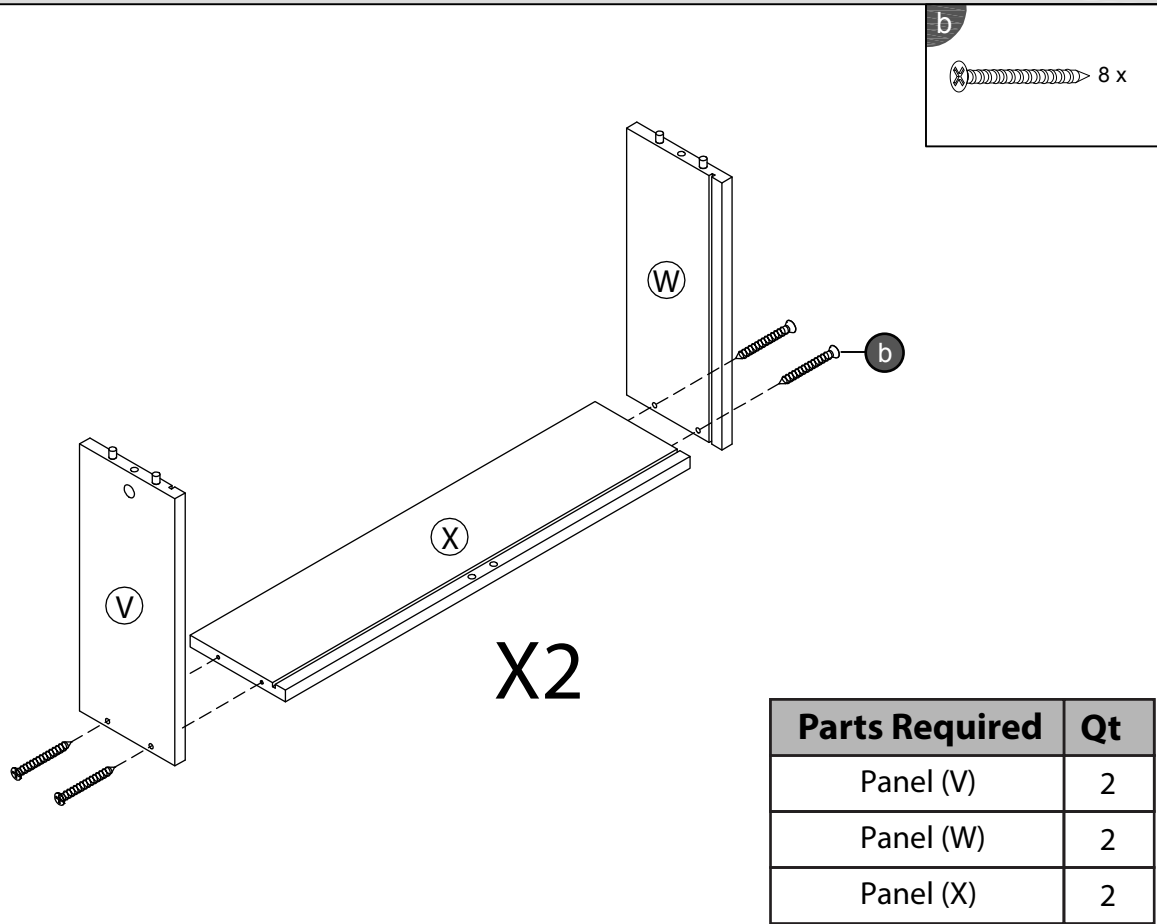


**C.**Vertical Adjustment

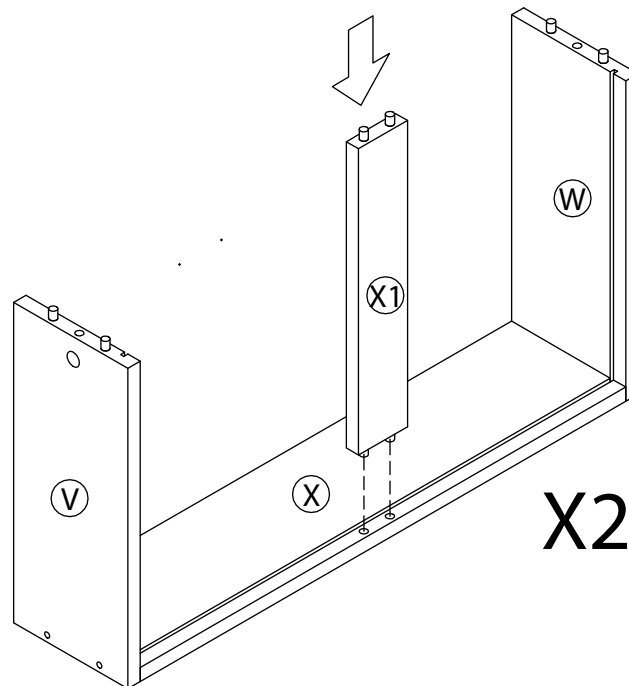


Parts Required	Qt
Panel (R)	1

## STEP 17

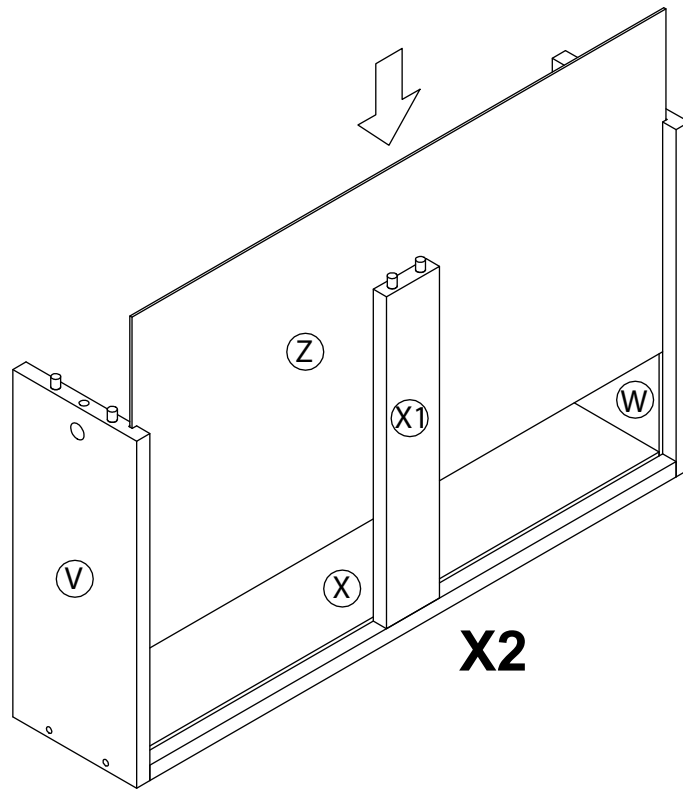


## STEP 18



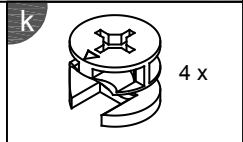
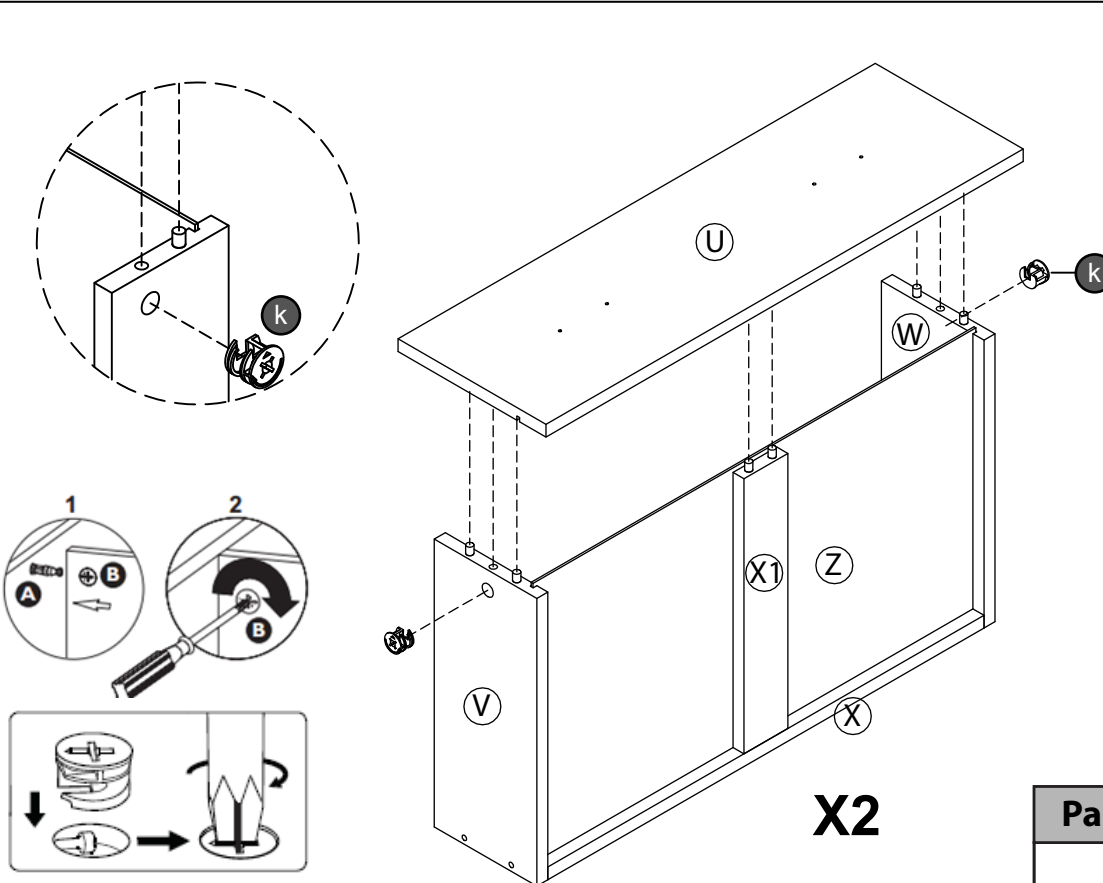
Parts Required	Qt
Panel (X1)	2

# STEP 19



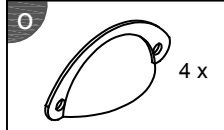
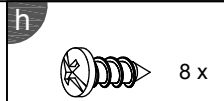
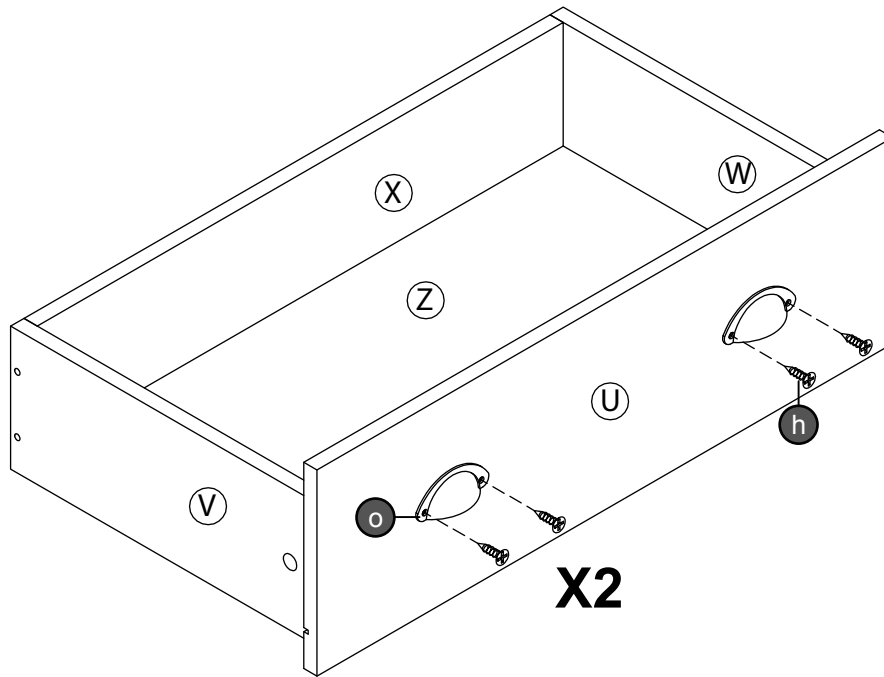
Parts Required	Qt
Panel (Z)	2

# STEP 20

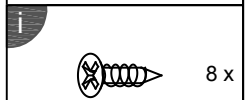
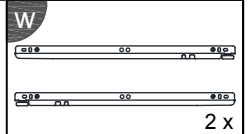
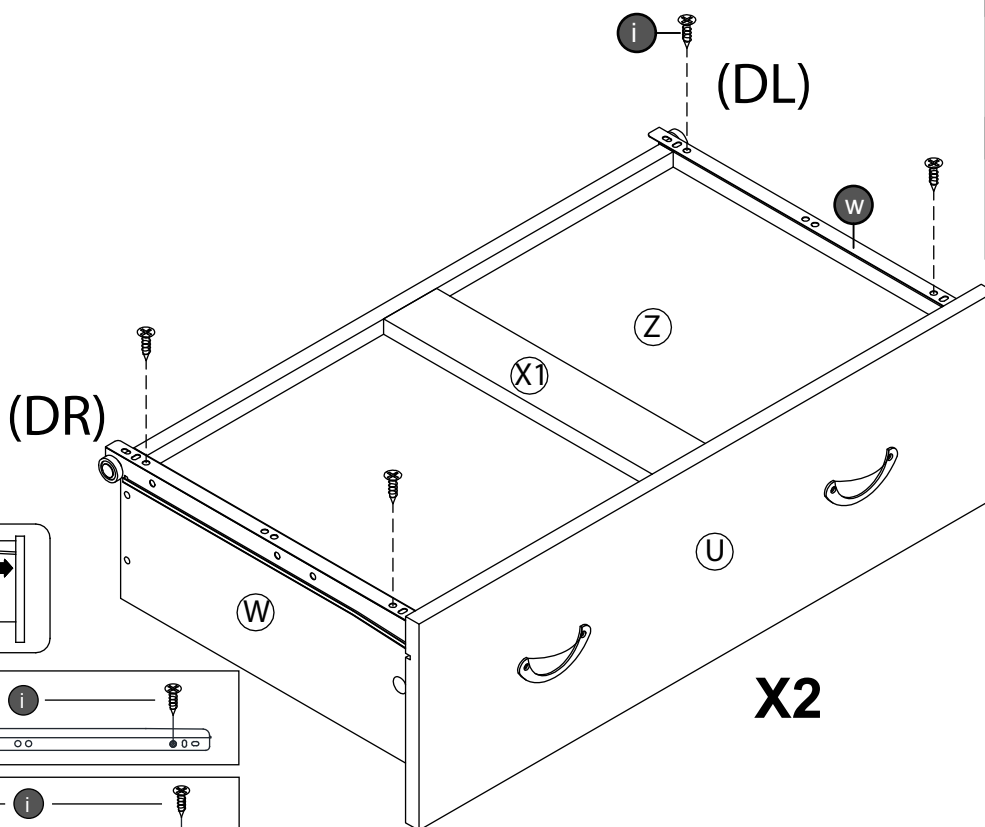


Parts Required	Qt
Panel (U)	2

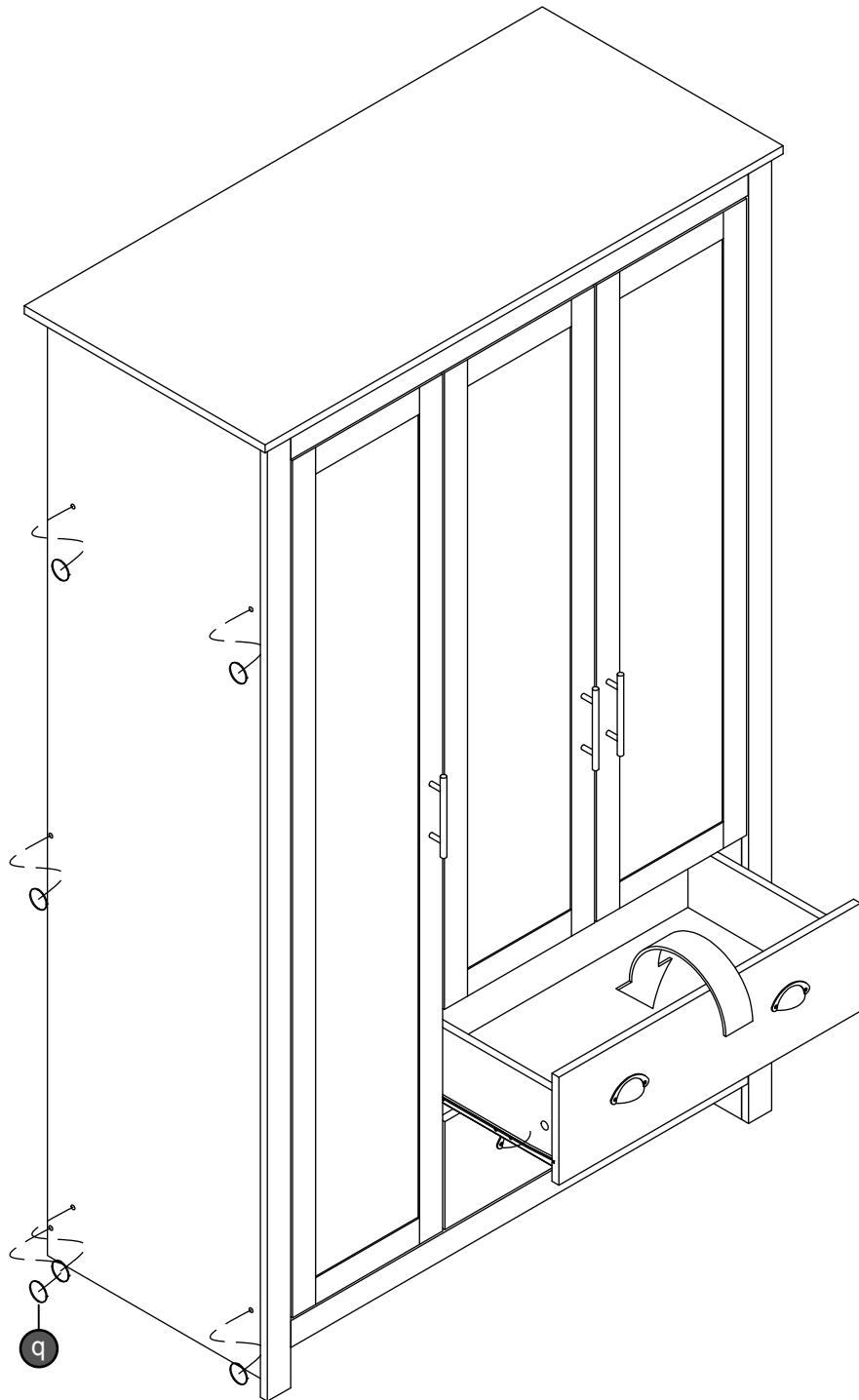
# STEP 21



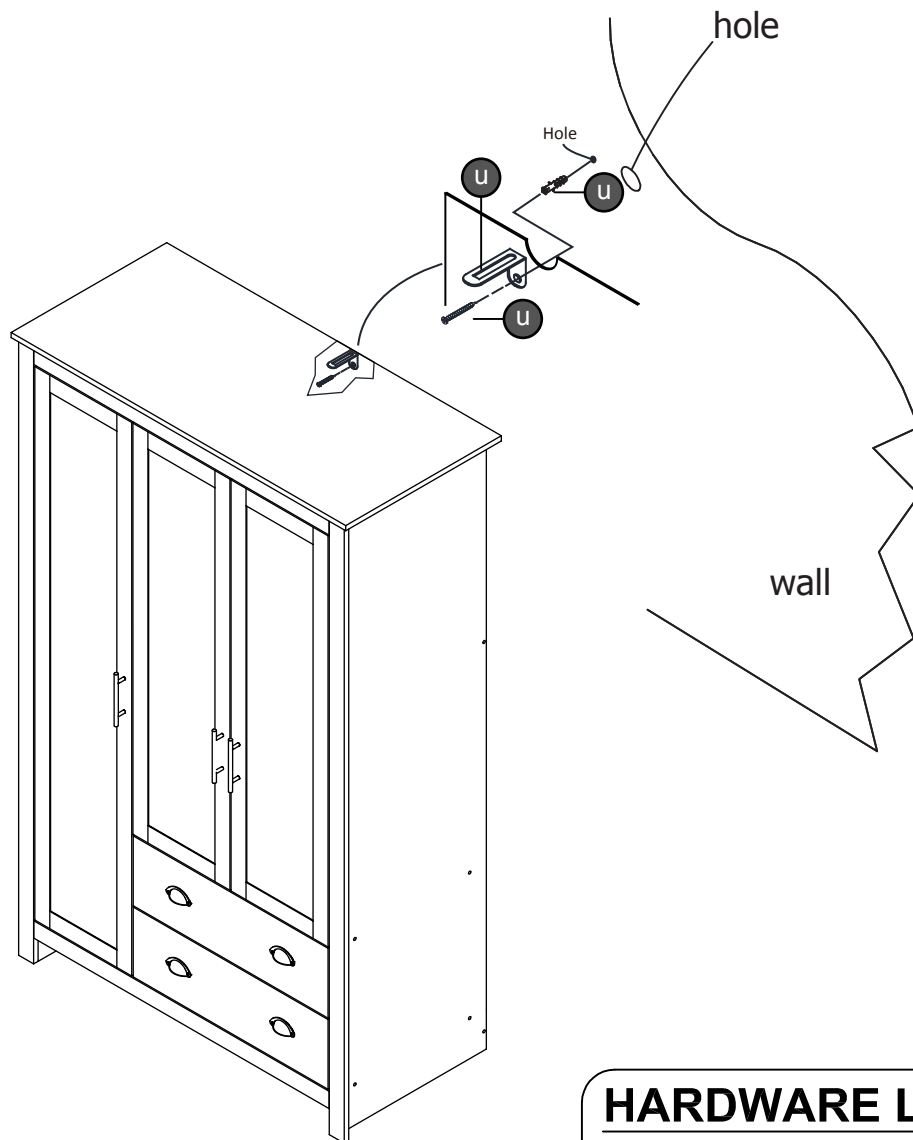
# STEP 22



**STEP 23**



## FITTING OF L MOUNTING BRACKET

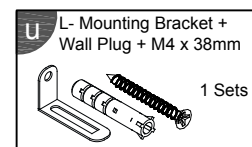


**NOTE :** The wall fixing plug supplied with this product is suitable for solid and brick walls .

For hollow and stud type walls fixing devices suitable for those type of walls must be obtained separately.

Please ensure the fixing is safe and secure before use and that the area to be drilled is free from hidden wires ,water & gas pipes.

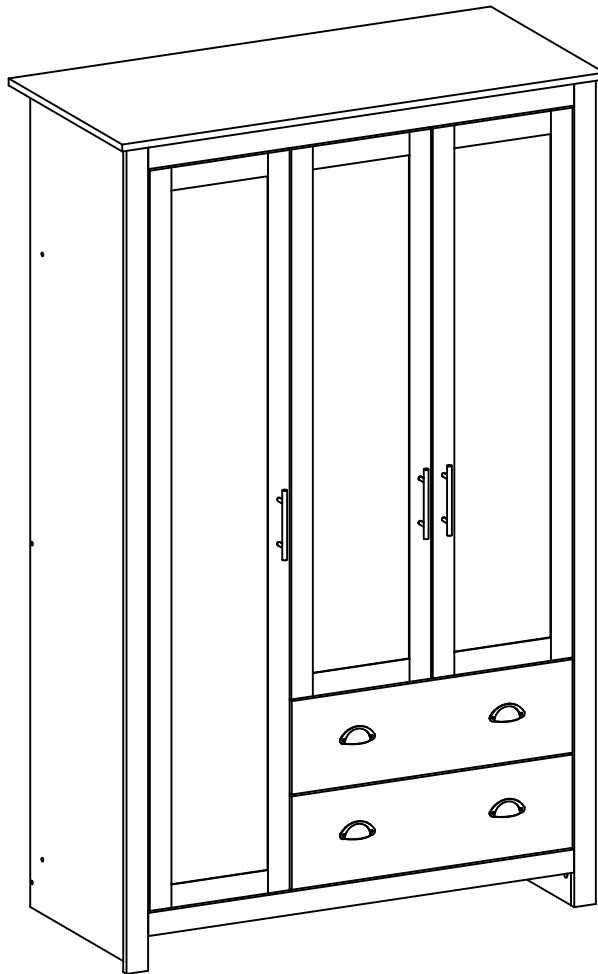
### HARDWARE LIST



## Complete Assembly

Your - **3 DOOR 2 DRAWER WARDROBE** is now completely assembled

Periodically check to ensure that the components are in their proper position, free from damage. Also, make sure the connectors are tight and secure.



Keep instructions for future reference

