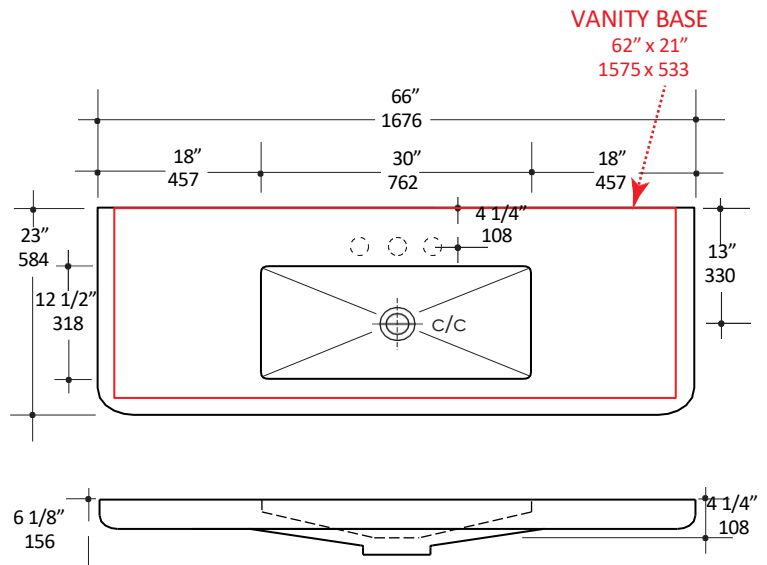
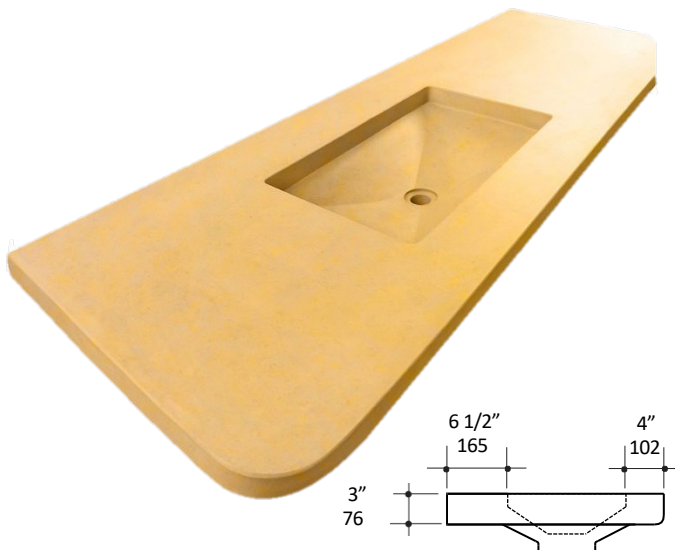


LACAVA

CONCRETE vanity-top sink CT660



SPECIFICATIONS:

INSTALLATION:	VANITY-TOP
BASIN DIMENSIONS:	30" w x 12 1/2" d x 4 1/4" h
EXTERIOR DIMENSIONS:	66" w x 23" d x 6 1/8" h
MATERIAL:	CONCRETE
WEIGHT:	238 LBS
OVERFLOW:	NO
FINISHES:	TER- TERRACOTTA SLT- SLATE CHL- CHARCOAL SND- SAND MOS -MOSS LIL- LILAC CLY - CLAY SUN - SUN MAH- MATCHA BRK- BRICK AQA - AQUA GAL - GALAXY BST - BASALTO FOR- FOREST GREEN

FAUCET HOLES:	1. - NO HOLE 2. - ONE CENTERED HOLE 3. - TWO HOLE - CENTER AND RIGHT, 4" SPREAD 03 - THREE HOLE, 8" SPREAD
VANITY BASE SIZE:	62" x 21"
FAUCET HOLE SIZE:	Ø 1 3/8"
DRAINHOLE SIZE:	Ø 1 5/8"

LACAVA reserves the right to revise any dimension or information on this sheet without notice. Dimensions are nominal and may vary within an industry accepted tolerance of 1/4". Cabinets with 'vanity top' sinks are made to the matching sink and dimensions may vary. LACAVA is not responsible for any cutouts, countertops, or furniture made without the actual product or template. Differences in color, appearance, and texture are inherent in all concrete pieces and should be expected. Variances in these qualities are not deemed manufacturing defects and will not be accepted as valid reasons for return or exchanges. Plumbing specifications are only a guideline and may need alteration based on application.

FEATURES:

- HANDCRAFTED CONCRETE SINK WITHOUT OVERFLOW
- PROUDLY MADE IN THE USA
- SIZE CAN BE CUSTOMIZED (CONDITIONS APPLY)
- CUTOUT TEMPLATE CAN BE REQUESTED
- VANITY BASES SHOULD ALLOW FOR A 1/2" OVERHANG ON FRONT AND BOTH SIDES TO COMPENSATE FOR DIMENSIONAL VARIATIONS OF THE SINK TOP.
- SURFACE FINISH: MATTE SEALED

CODES+ STANDARDS:

- MEETS AND EXCEEDS APPLICABLE NATIONAL CODES AND STANDARDS

ADA compliant when installed to specific requirements of this regulation

RECOMMENDED ITEMS:

- DRAIN OPTIONS
 - 7100-13
 - 7100-15
- VANITY OPTIONS: NTR-ADA-66 metal console ADA compliant, NTR-FF-66 metal console with shelf and optional towel bar, NTR-VS-66 wood vanity with two drawers and open shelf

CARE+ MAINTENANCE:

DUE TO THE NATURE OF CONCRETE MATERIAL, PLEASE DO NOT OVERTIGHTEN THE DRAIN AND OTHER HARDWARE AS IT MAY CAUSE THE SINK TO CHIP OR CRACK.

[Click Here](#) to find out more about proper care and maintenance of concrete

Unique Nature of Concrete



Our handcrafted concrete sinks celebrate their natural, unique character, featuring variations in color, texture, pores, lines, seams, and small surface holes caused by trapped air during casting - all of which are inherent and do not compromise durability. Made from traditional mixes of gravel, crushed stone, sand, and cement, each piece is individually crafted, resulting in one-of-a-kind products with organic, stone-like qualities and a rich patina, emphasizing the beauty of natural imperfections. These features, including visible aggregates, subtle cracks, and color and texture variations due to the mixing process and curing, are natural to concrete, highlighting its authentic and artisanal nature. Please consider your comfort level with these distinctive characteristics before placing an order, as each sink will be unique in nature and slightly different from the photography shown on our website.

