

ASSEMBLY INSTRUCTION

ASSEMBLY INSTRUCTION

ASSEMBLY TIPS:

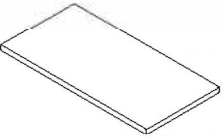
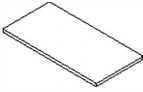
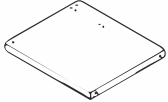
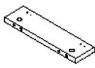
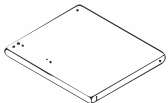
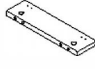
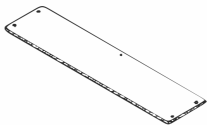
- 1.Remove hardware from box and sort by size.
- 2.Please check to see that all hardware and parts are present prior to start of assembly.
- 3.Please follow attached instructions in the same sequence as numbered to assure fast & easy assembly.



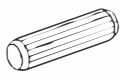


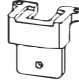


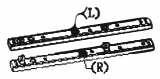



Warning!


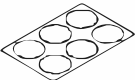

- 1.Don't attempt to repair or modify parts that are broken or defective.Please contact the store immediately.
- 2.This product is for home use only and not intended for commercial establishment.

PARTS IDENTIFICATION:

(A) TOP PANEL		1PC	(E) KEYBOARD SHELF		1PC
(B) LEFT SIDE PANEL		1PC	(F) LEFT DIVIDER PANEL		1PC
(C) RIGHT SIDE PANEL		1PC	(G) RIGHT DIVIDER PANEL		1PC
(D) BACK PANEL		1PC			

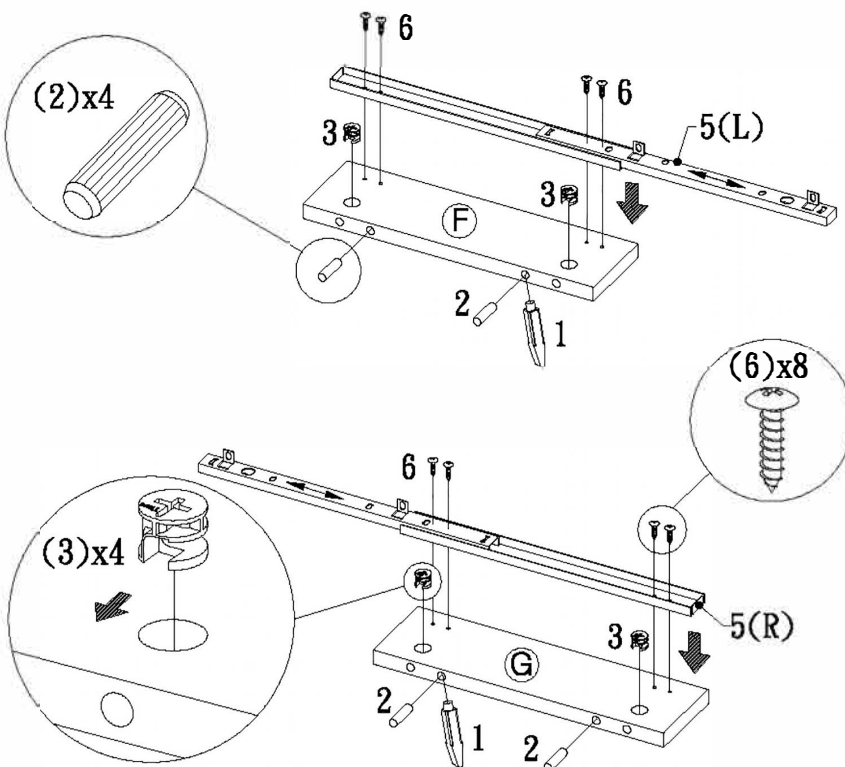
Z HARDWARE PACKAGE							
NO	DESCRIPTION	FIGURE	Q'TY	NO	DESCRIPTION	FIGURE	Q'TY
1	GLUE 15g		1PC	6	SCREW ϕ 3.5x12.5mm		12PCS
2	WOODEN DOWEL ϕ 8x30mm		8PCS	7	ADJUSTMENT FEET ϕ 35x17.2mm		4PCS
3	CAM LOCK ϕ 15x12mm		8PCS	8	COUPLER		5PCS
4	CAM BOLT ϕ 7x35.5mm		8PCS	9	SCREW ϕ 4.2x25.4mm		10PCS
5	RAIL L = 300mm		1SET	10	BOLT ϕ 4.5x12mm		5PCS

ASSEMBLY INSTRUCTION

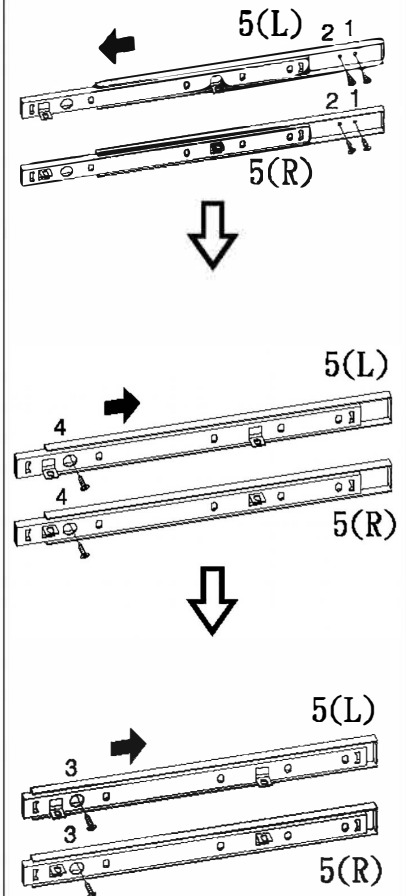
Z							
HARDWARE PACKAGE							
NO	DESCRIPTION	FIGURE	Q'TY	NO	DESCRIPTION	FIGURE	Q'TY
11	BOLT ϕ 6.2x45mm		4PCS	13	STICKER ϕ 20		2PCS
12	BOLT ϕ 6.2x18mm		1PC				

STEP 1

The Glue (1) should be used in the indicated locations to help solidify the assembled unit.

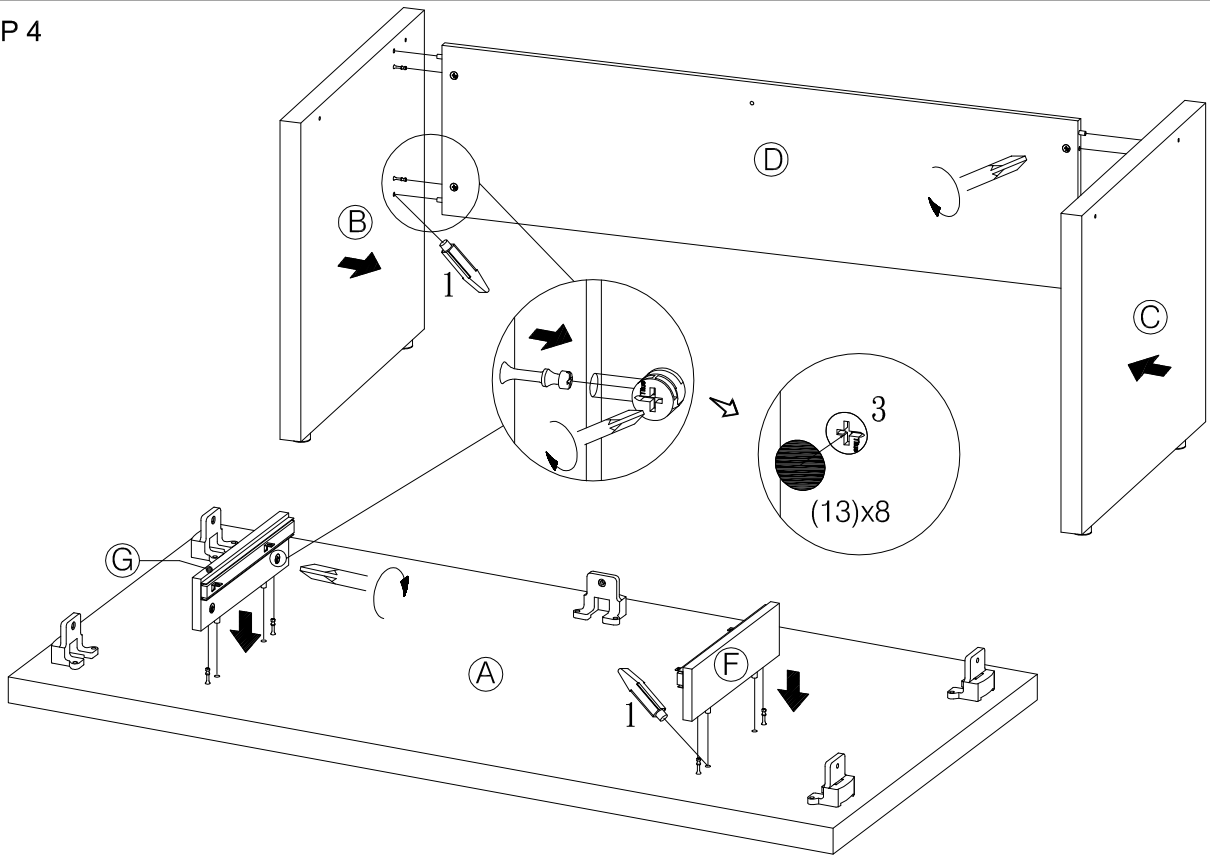


Detail #1

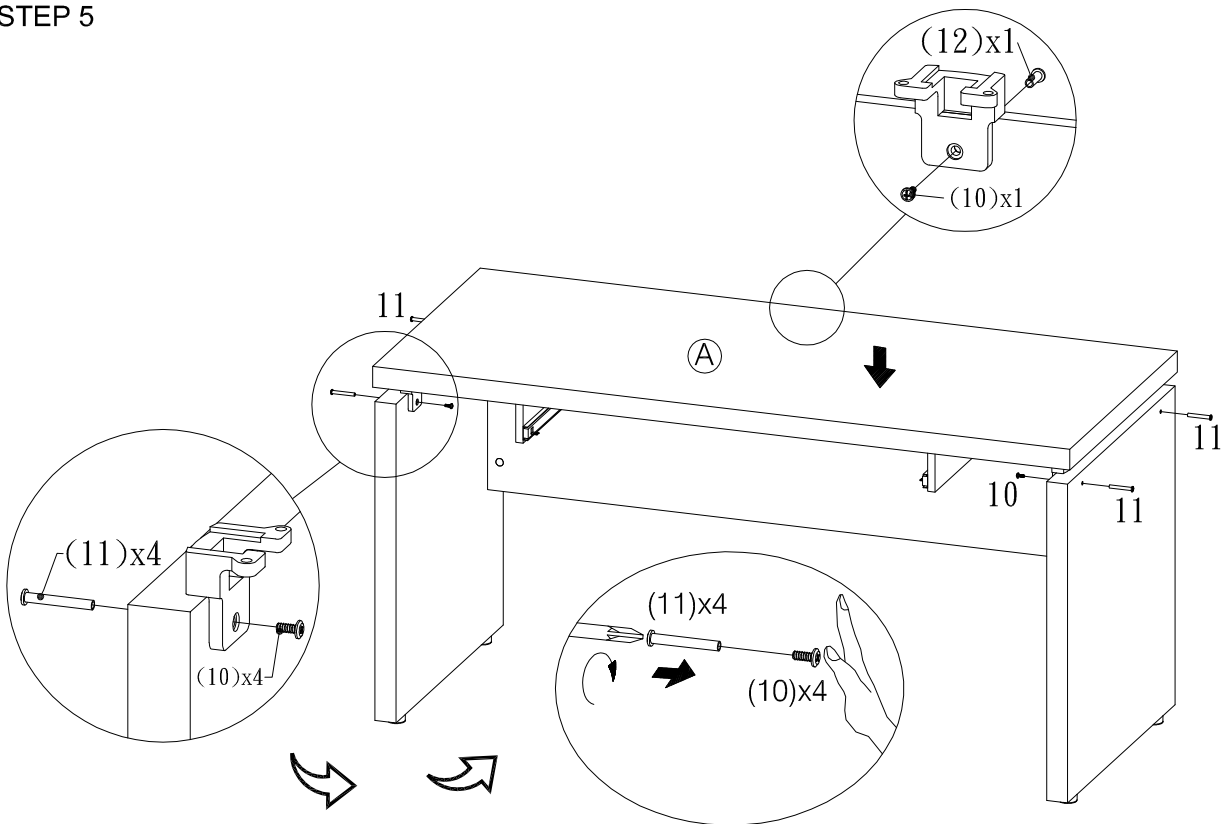


ASSEMBLY INSTRUCTION

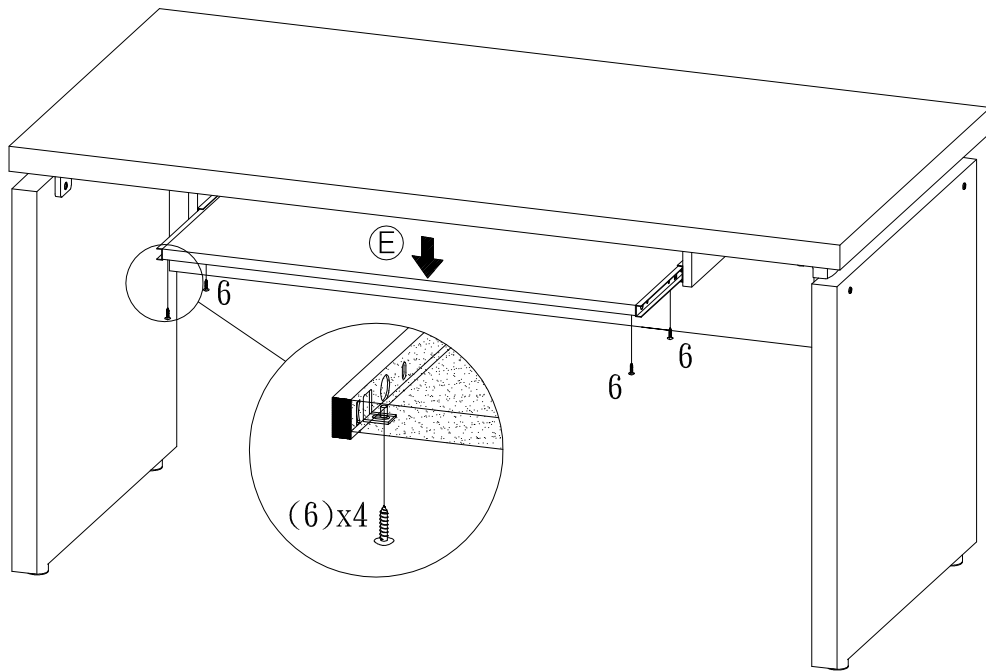
STEP 4



STEP 5



STEP 6



STEP 7

