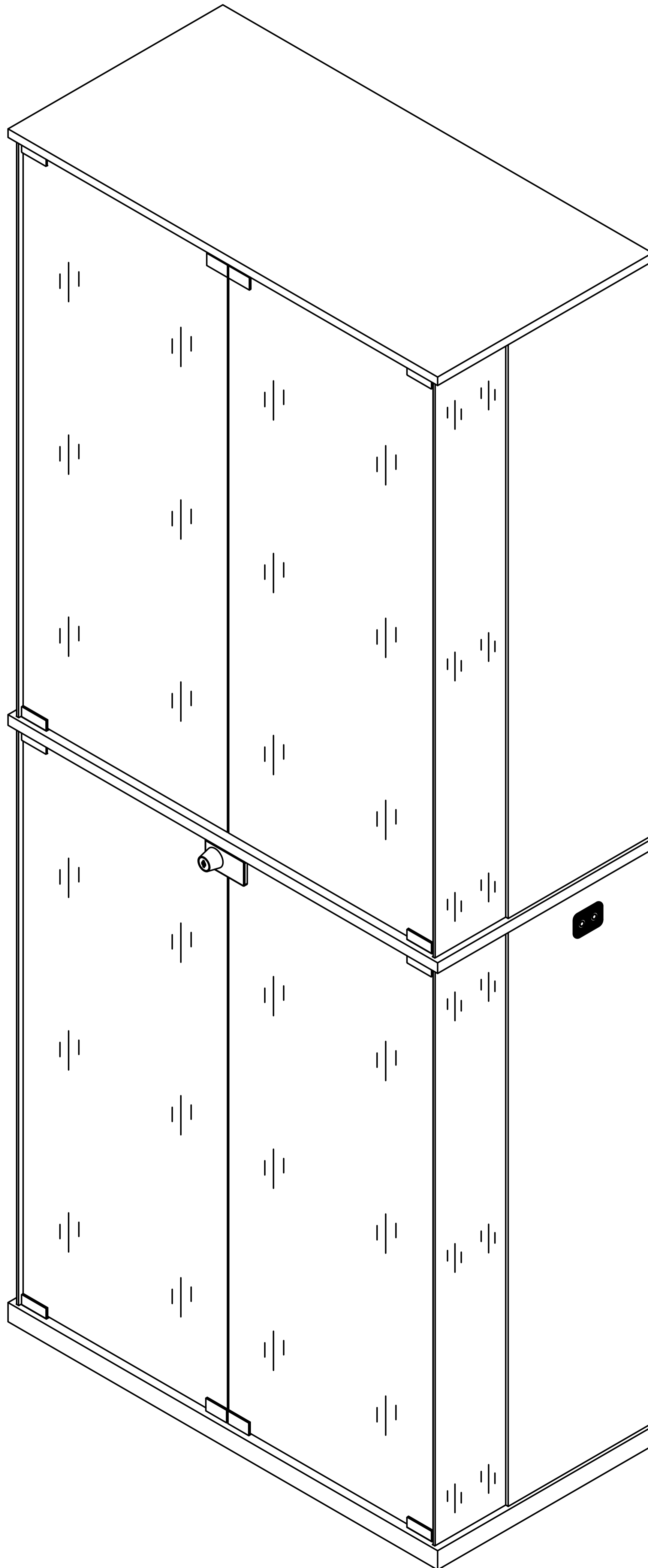
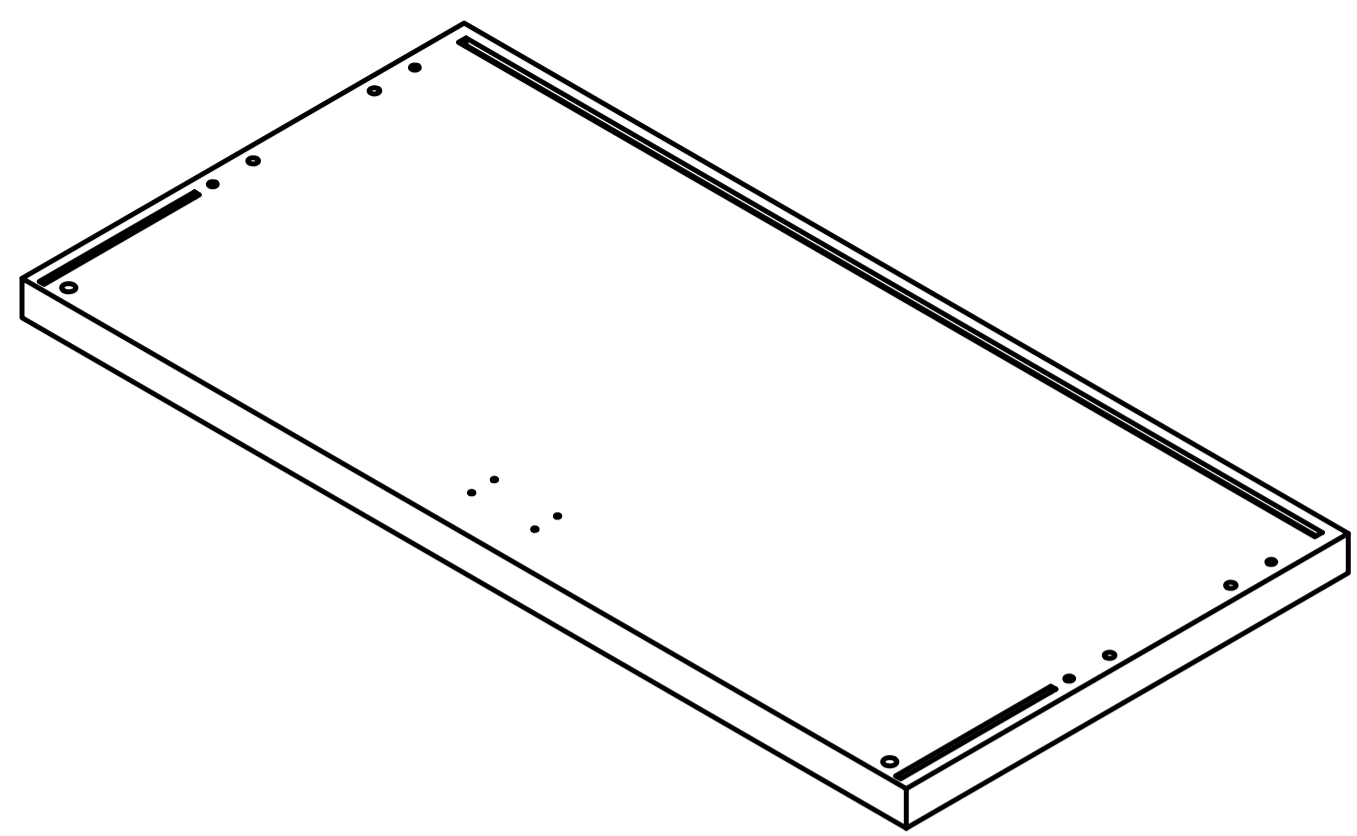
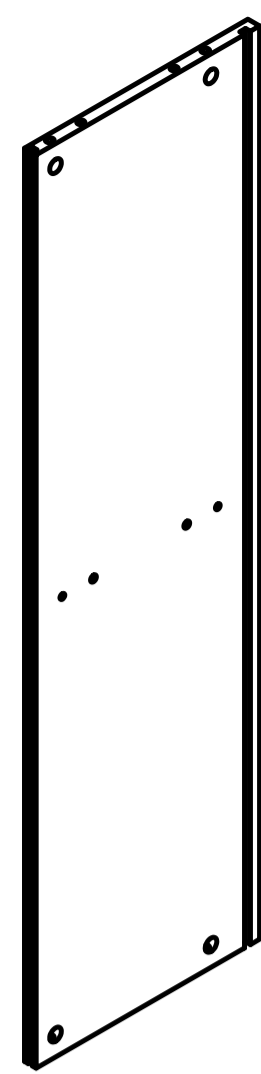


Product Installation Instructions

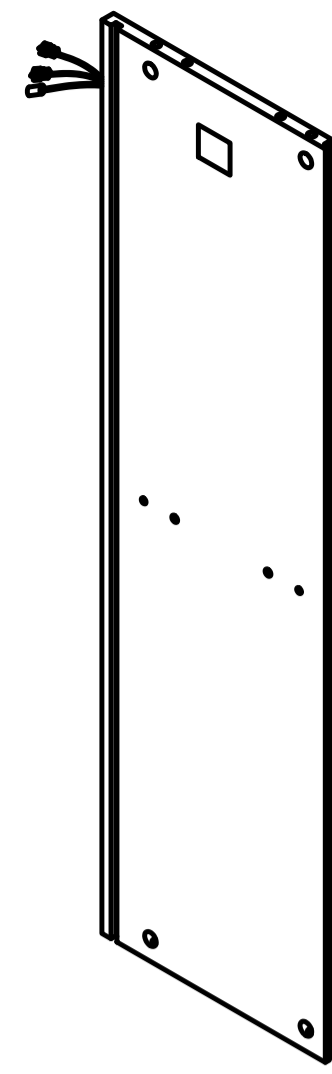




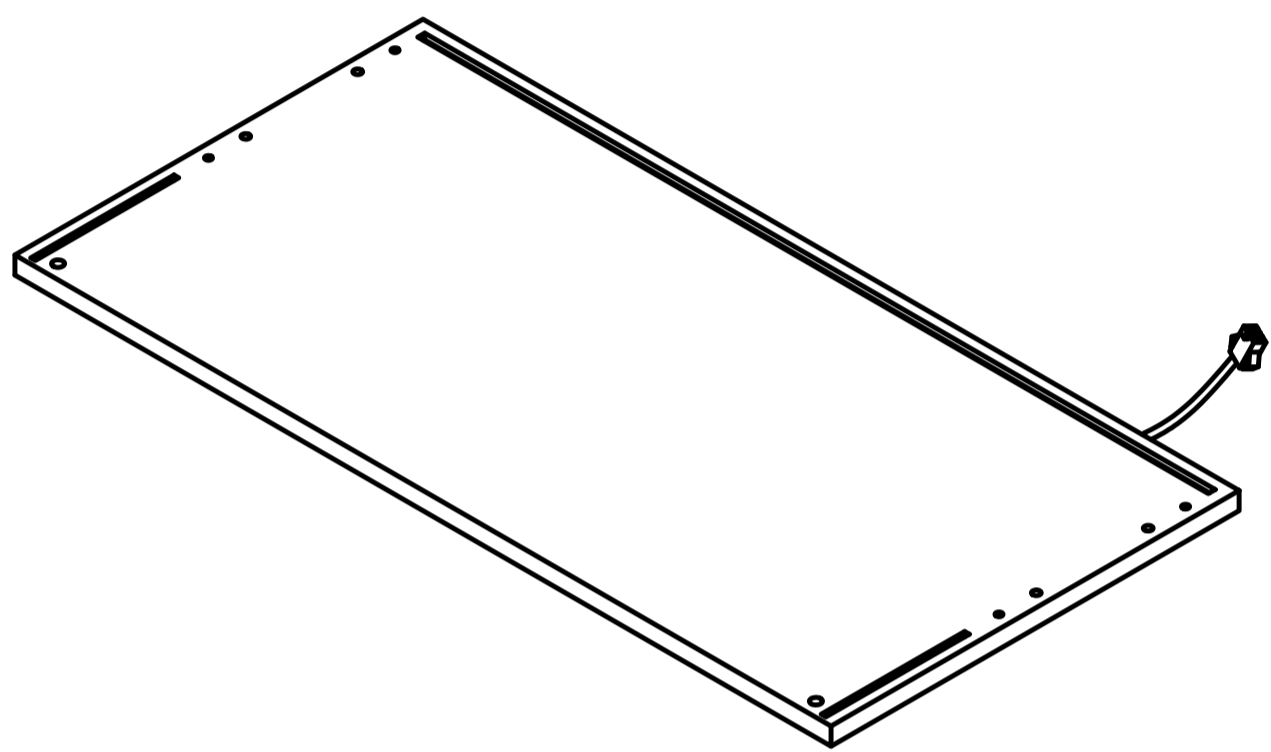
Ax1



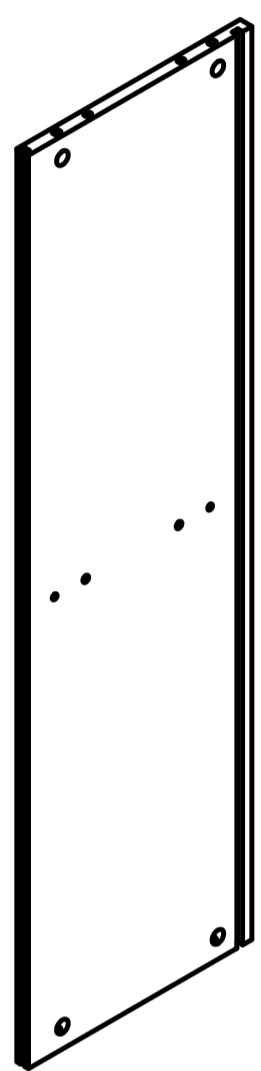
Bx1



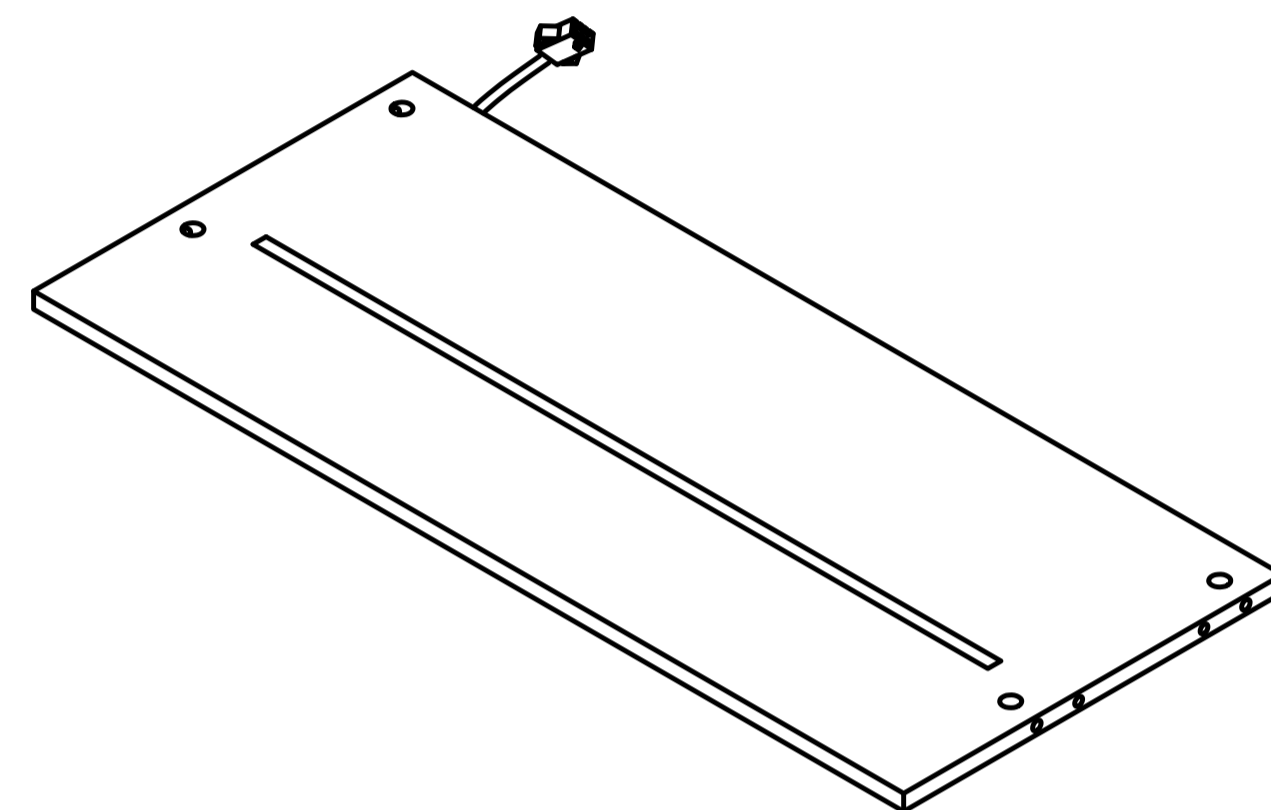
Cx1



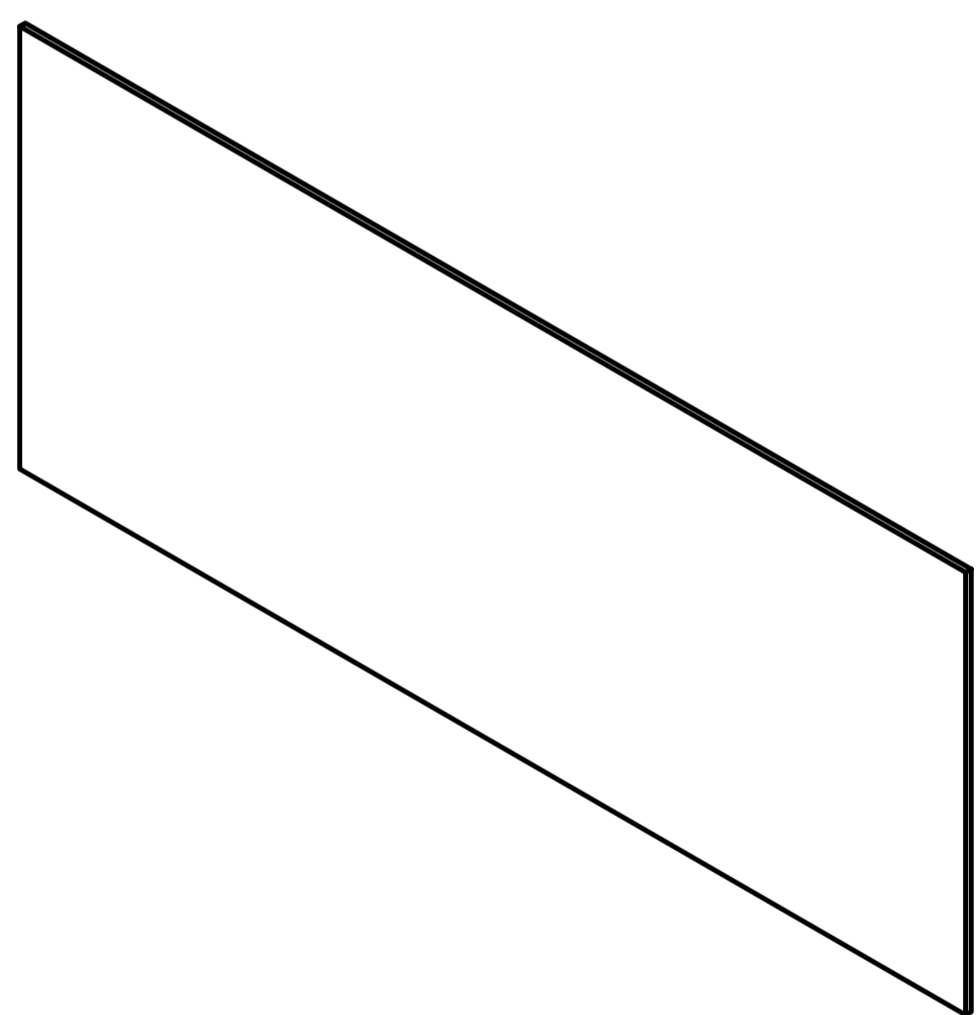
Dx1



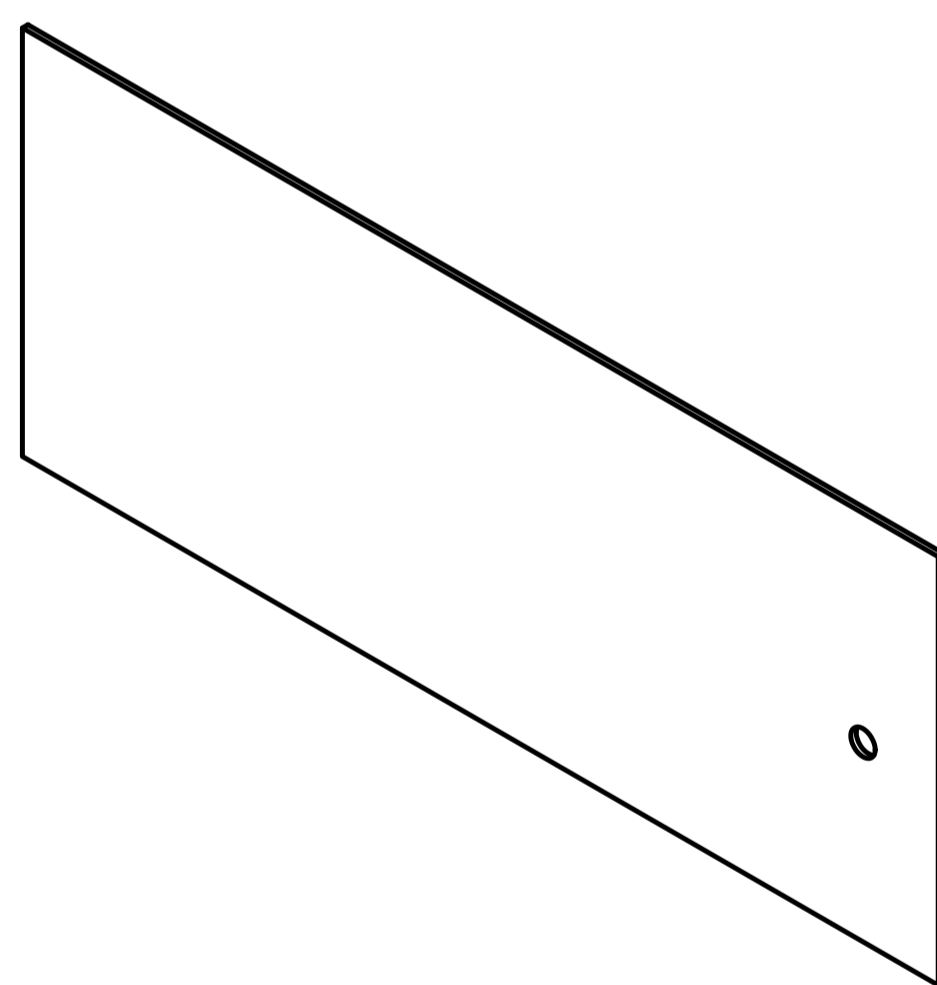
Ex2



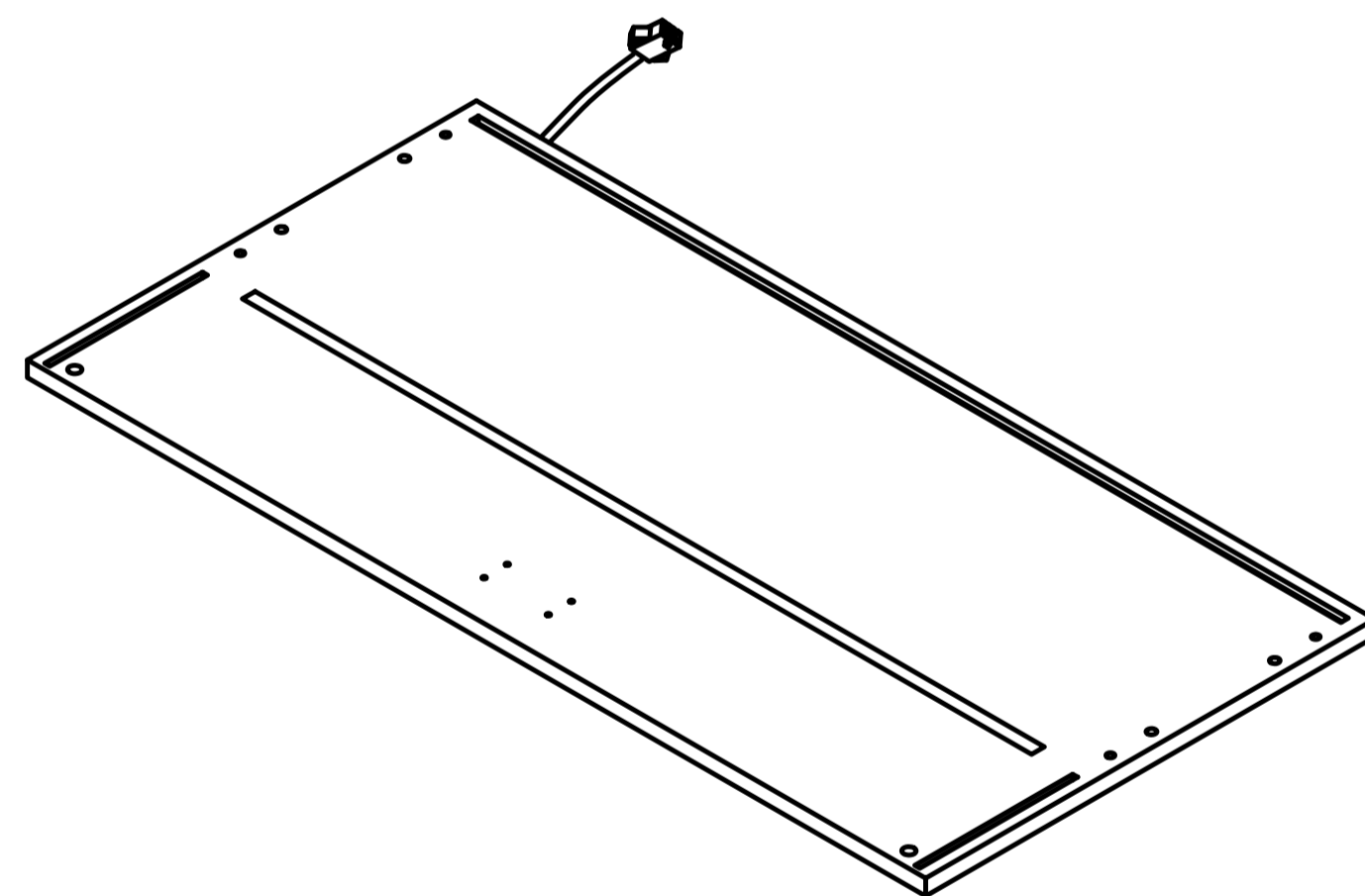
Fx2



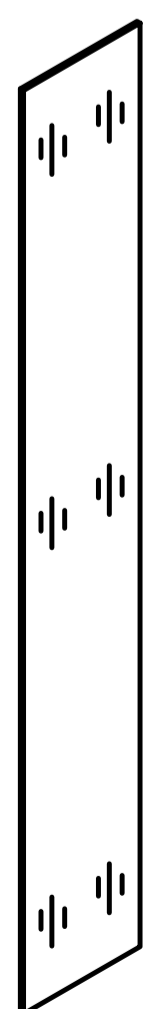
Gx4



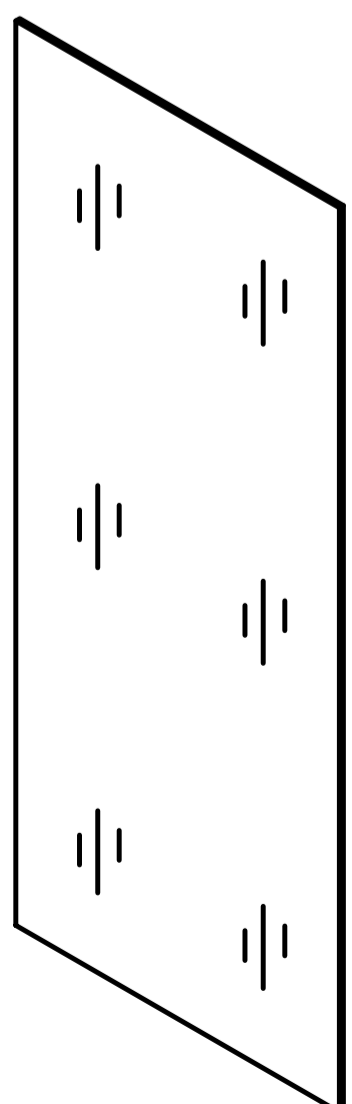
Hx2



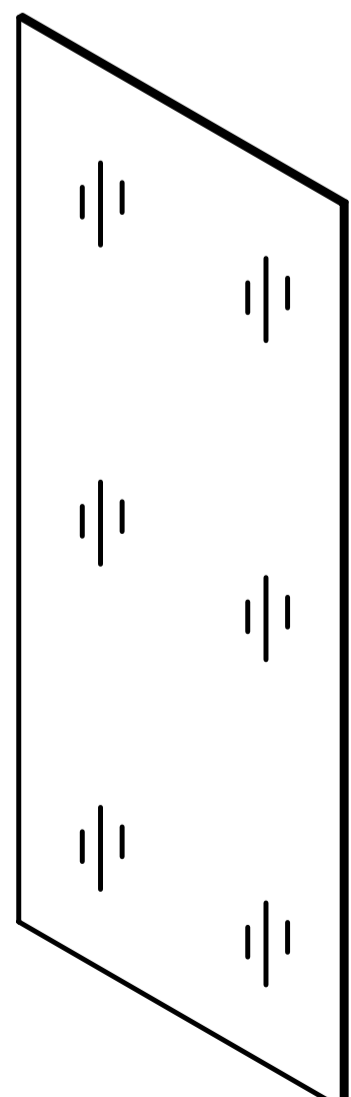
Ix1



Jx4



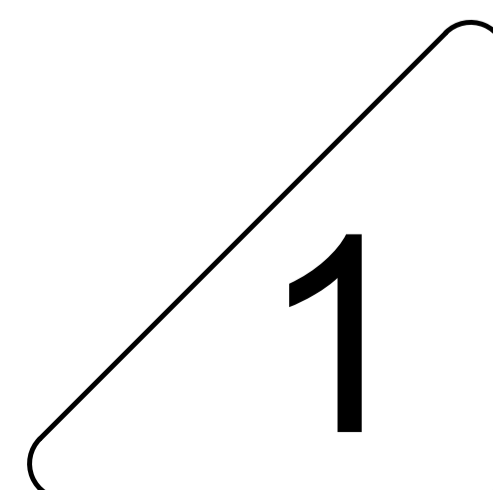
Kx1



Lx2

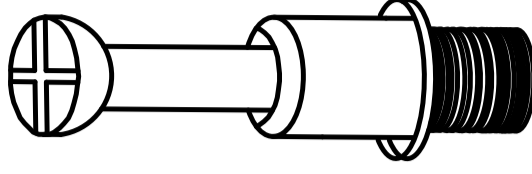
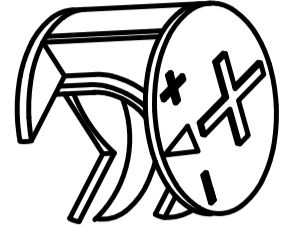

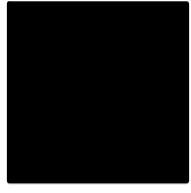
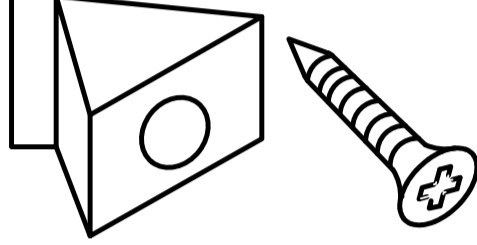
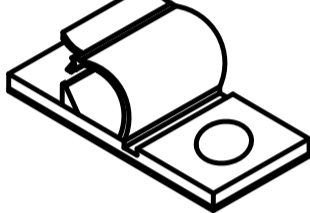
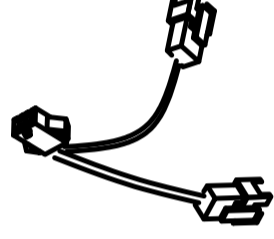
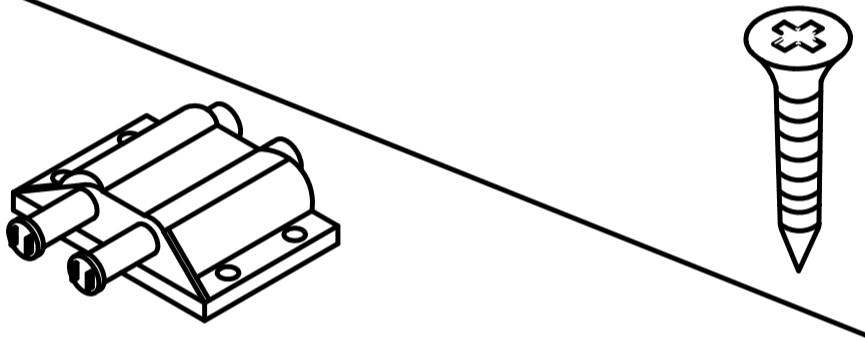
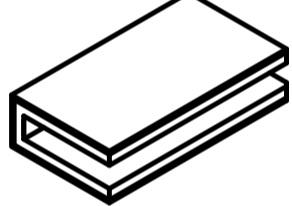

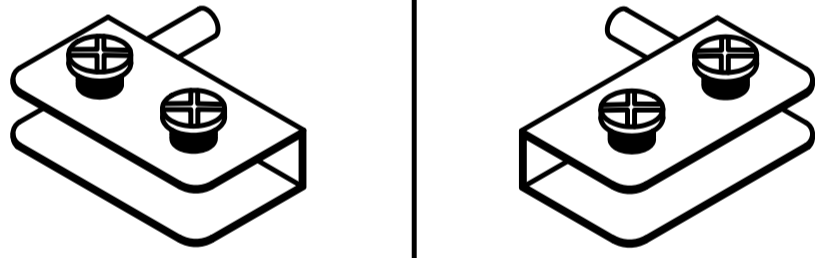
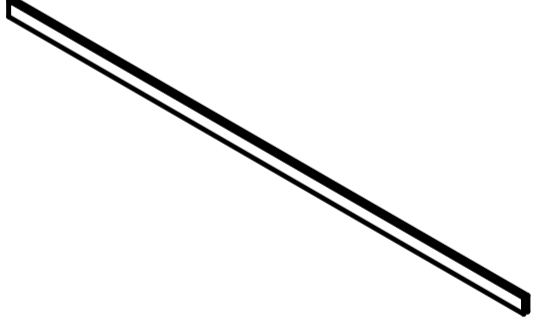
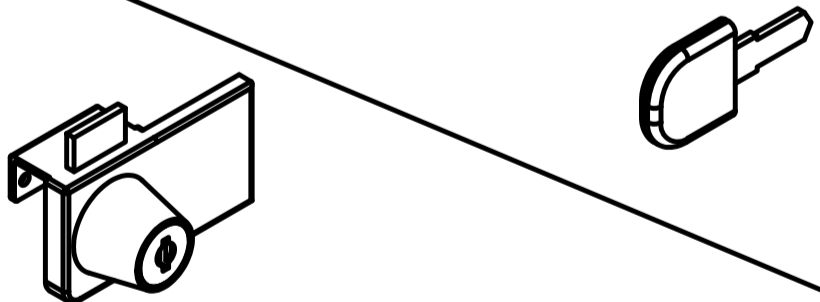
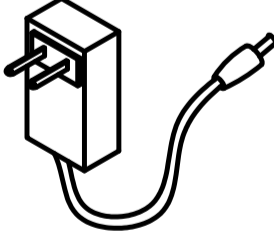
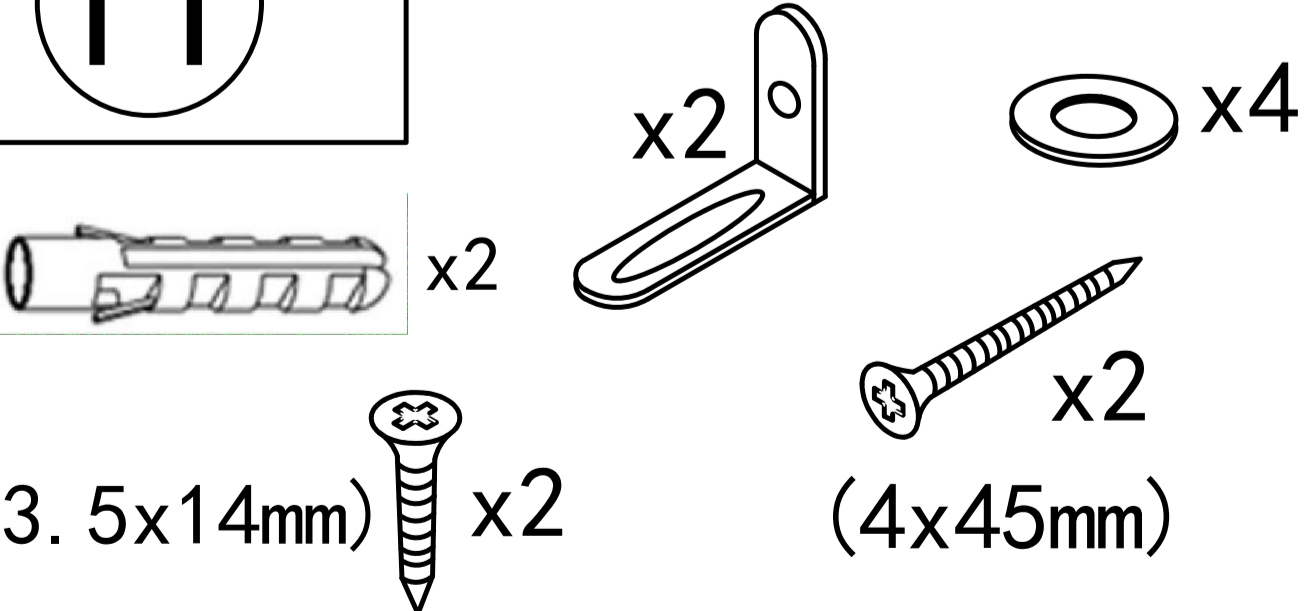
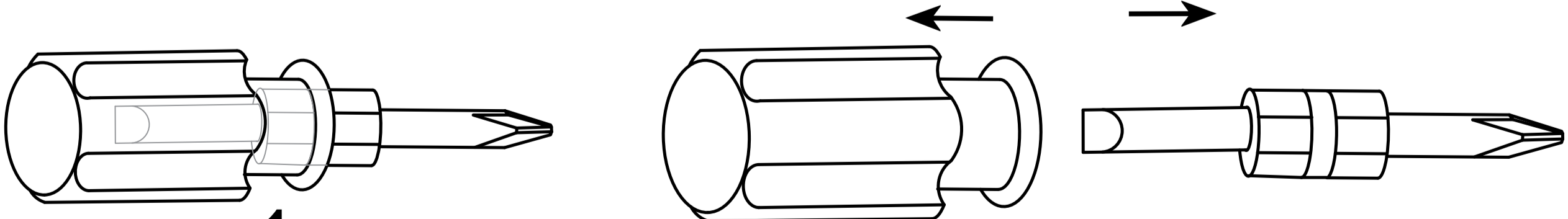



Mx1

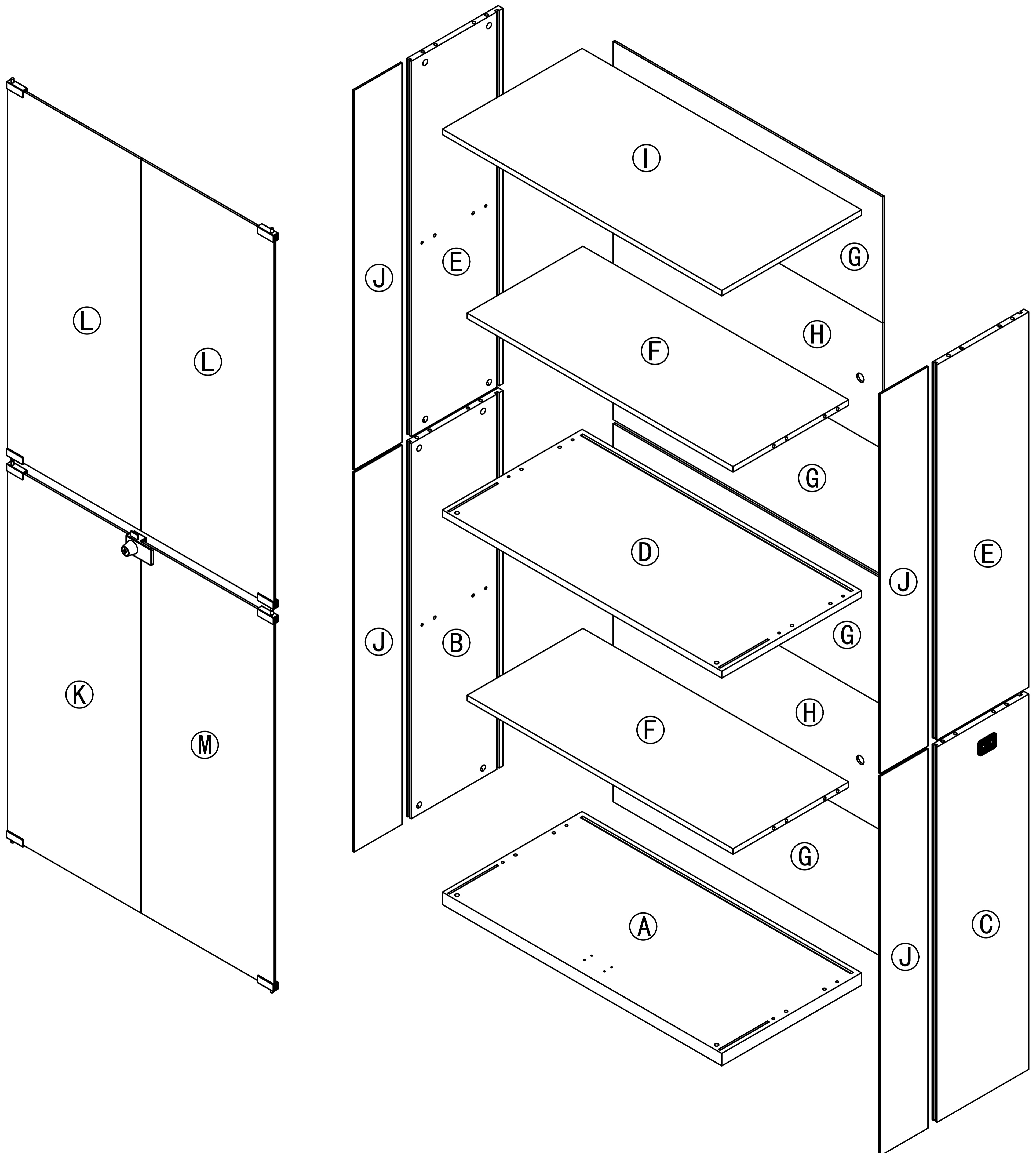


1

Accessories list

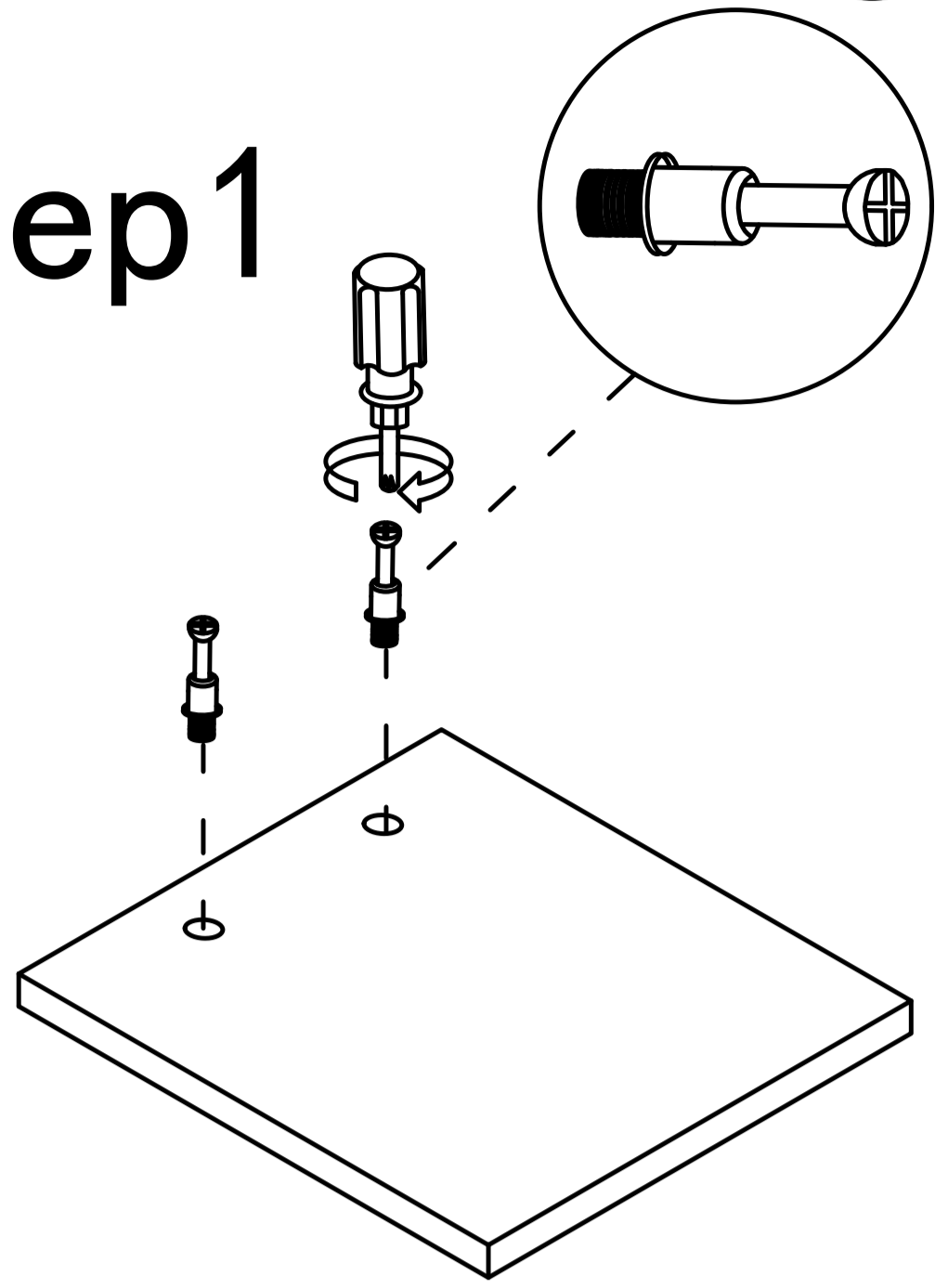
①		Two in one screw (6x28mm)	24pcs +3pcs
②		Two in one nut (10x12mm)	24pcs +3pcs
③		Wood Chipping (6x30mm)	24pcs +4pcs
④		Non-slip pads	4pcs +2pcs
⑤		Fixing clip & screw (3x16mm)	20pcs +3pcs
⑥		Wire clamp	5pcs +2pcs
⑦		Forked line	2pcs
⑧		Rebound device & Screw (3x16mm)	8pcs +2pcs 2pcs
		Iron sheet	4pcs
		Rubber ring	8pcs
		Hinge	4pcs 4pcs
⑨		Backboard card strip	4pcs
⑩		Double door glass lock Key	2pcs 1pcs
/		AC/DC Adapter (12V=3.0A)	1pcs
⑪	<p>Anti Fall Hardware</p>  <p>(3.5x14mm) x2 x2 x2 x4 x2 x2 (4x45mm)</p>	<p>Double-head screwdriver, use as required</p>  <p>1pcs</p>	
			 <p>2</p>

Product structure decomposition

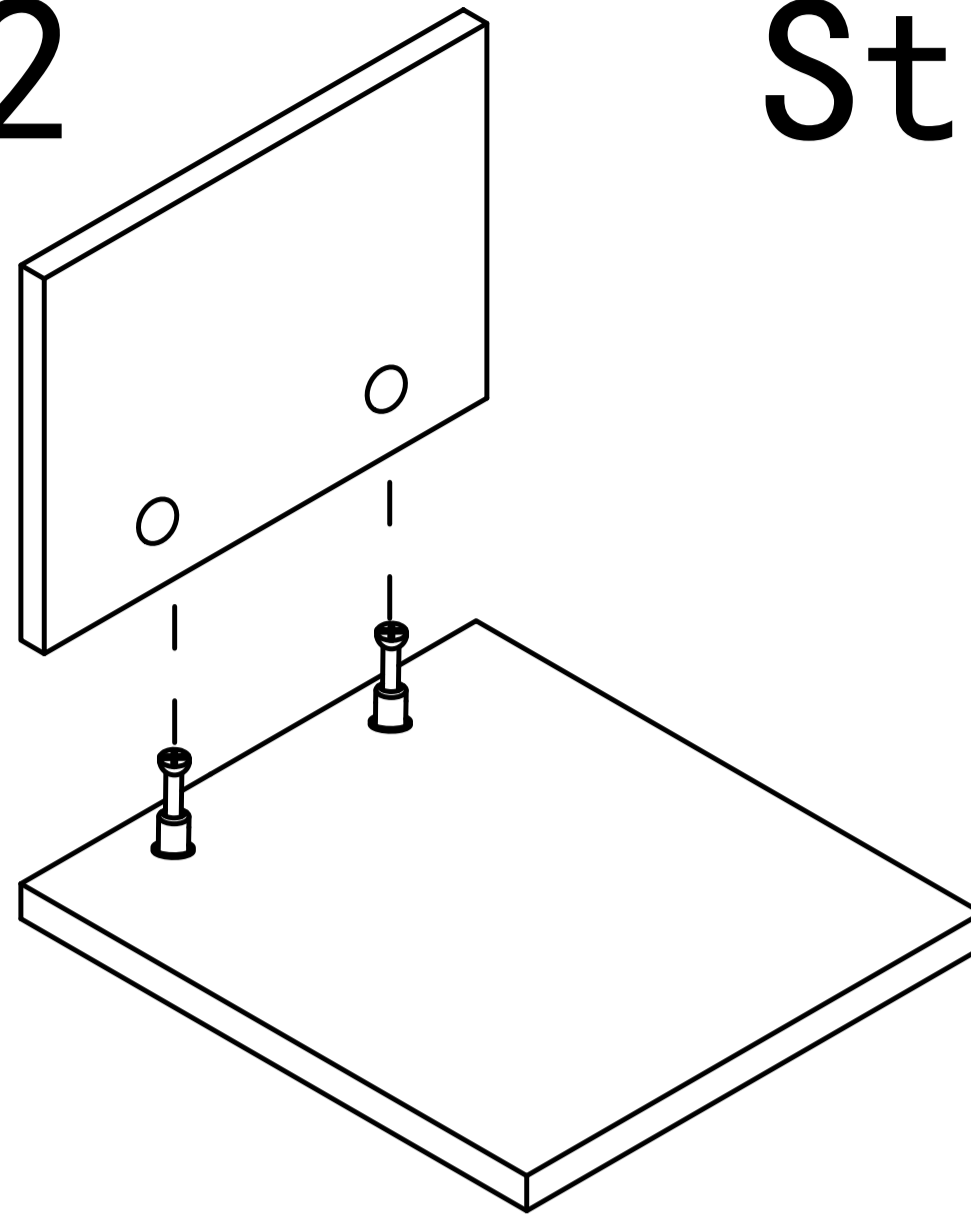


Use parts ① and ②

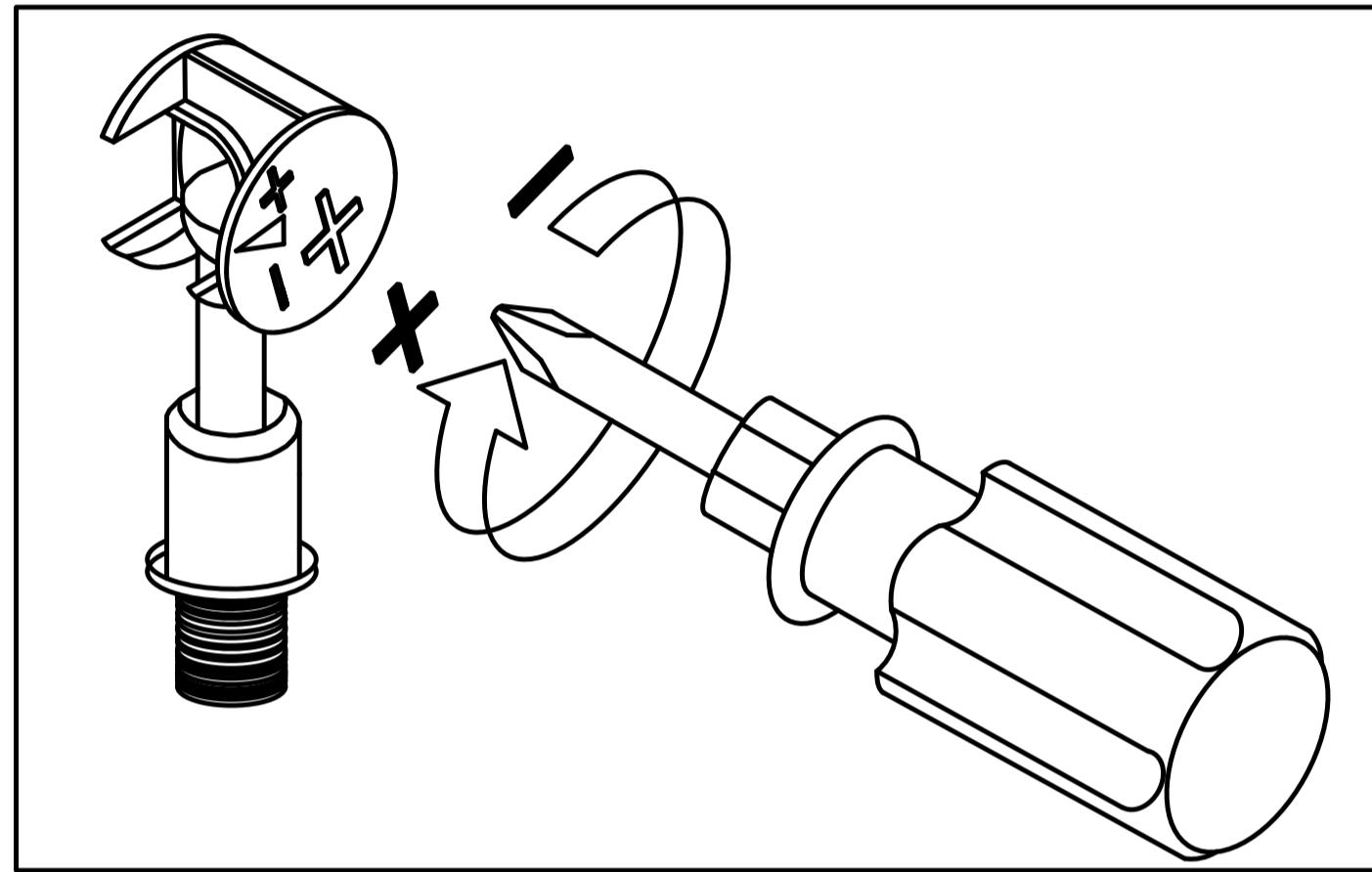
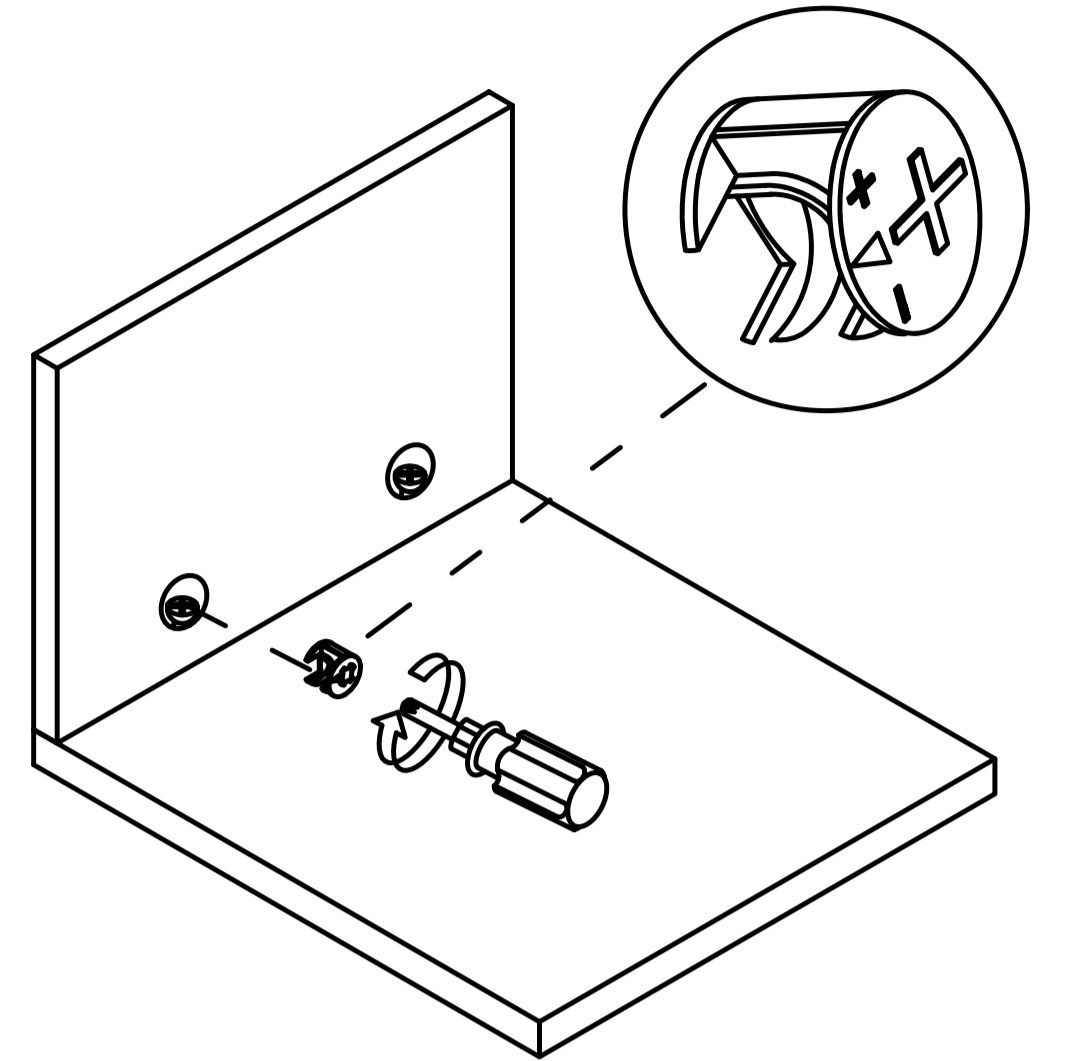
Step 1



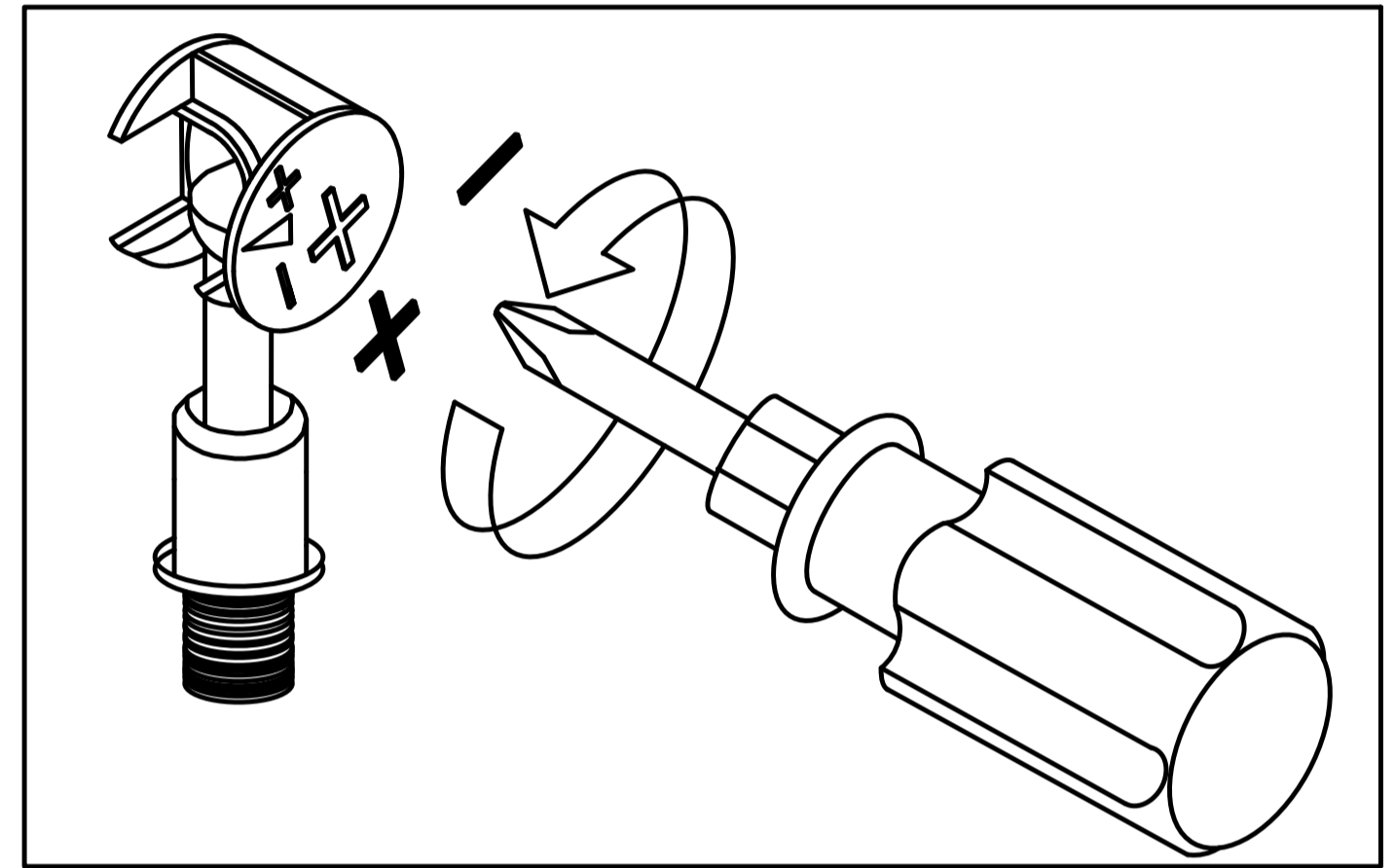
Step 2



Step 3

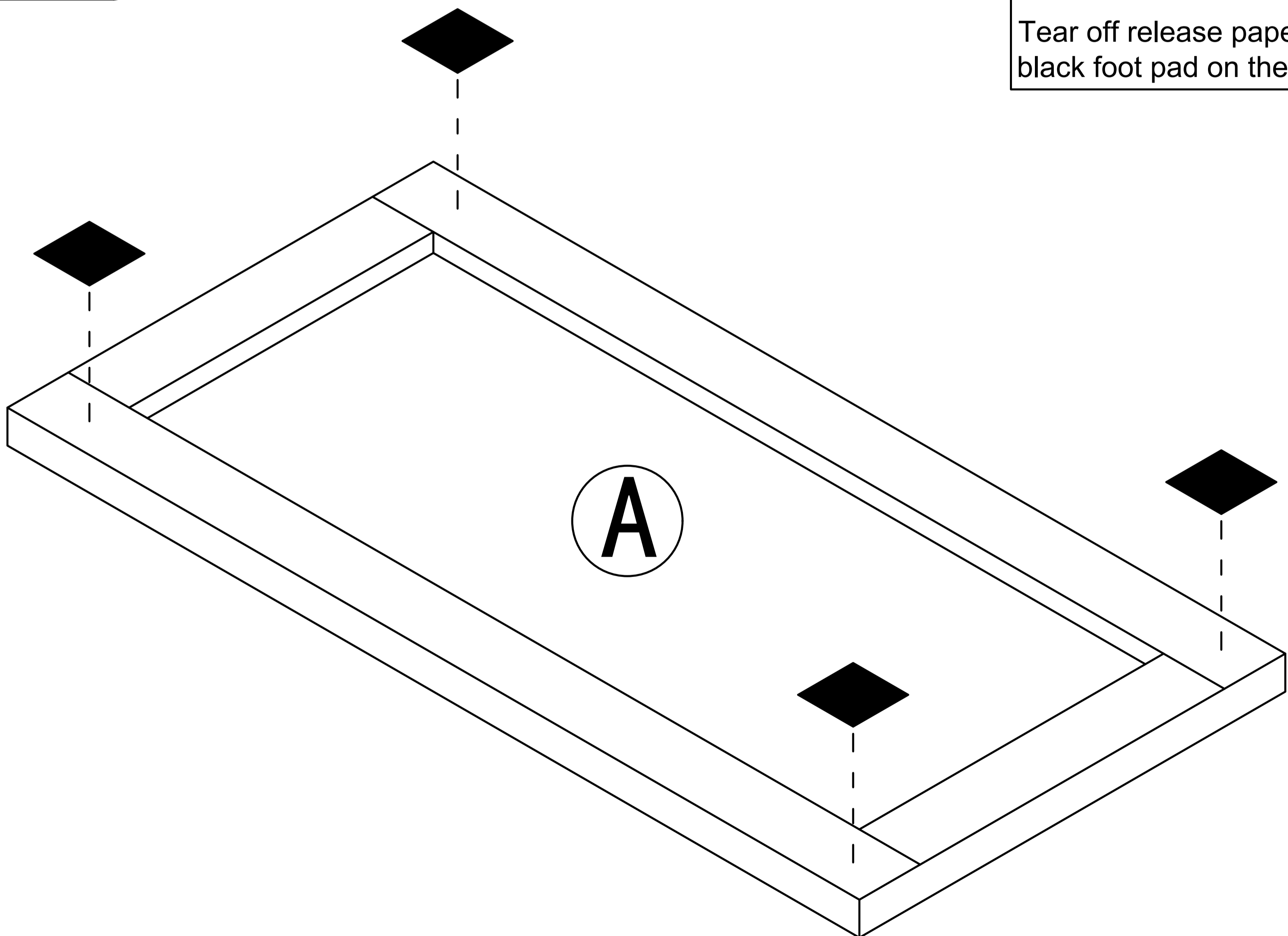


Use a screwdriver to lock in the direction of the "+" sign

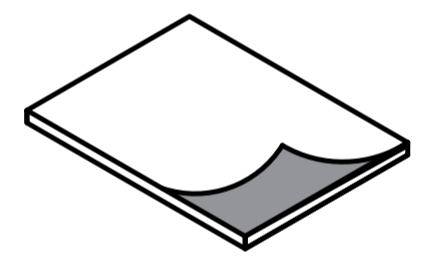


Disassemble along the direction of "-" sign

Step 1



4

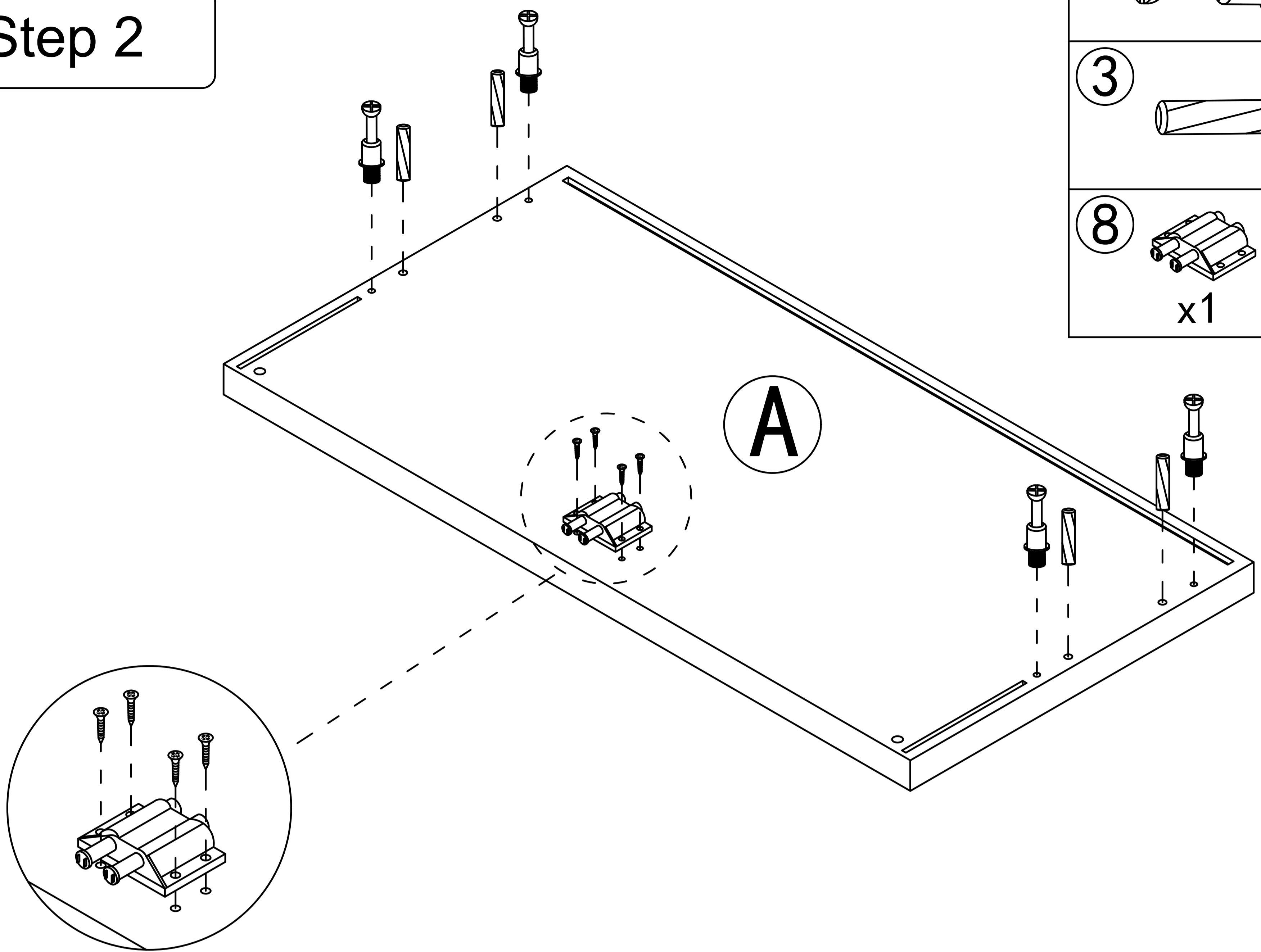


x4

Tear off release paper and stick the black foot pad on the board

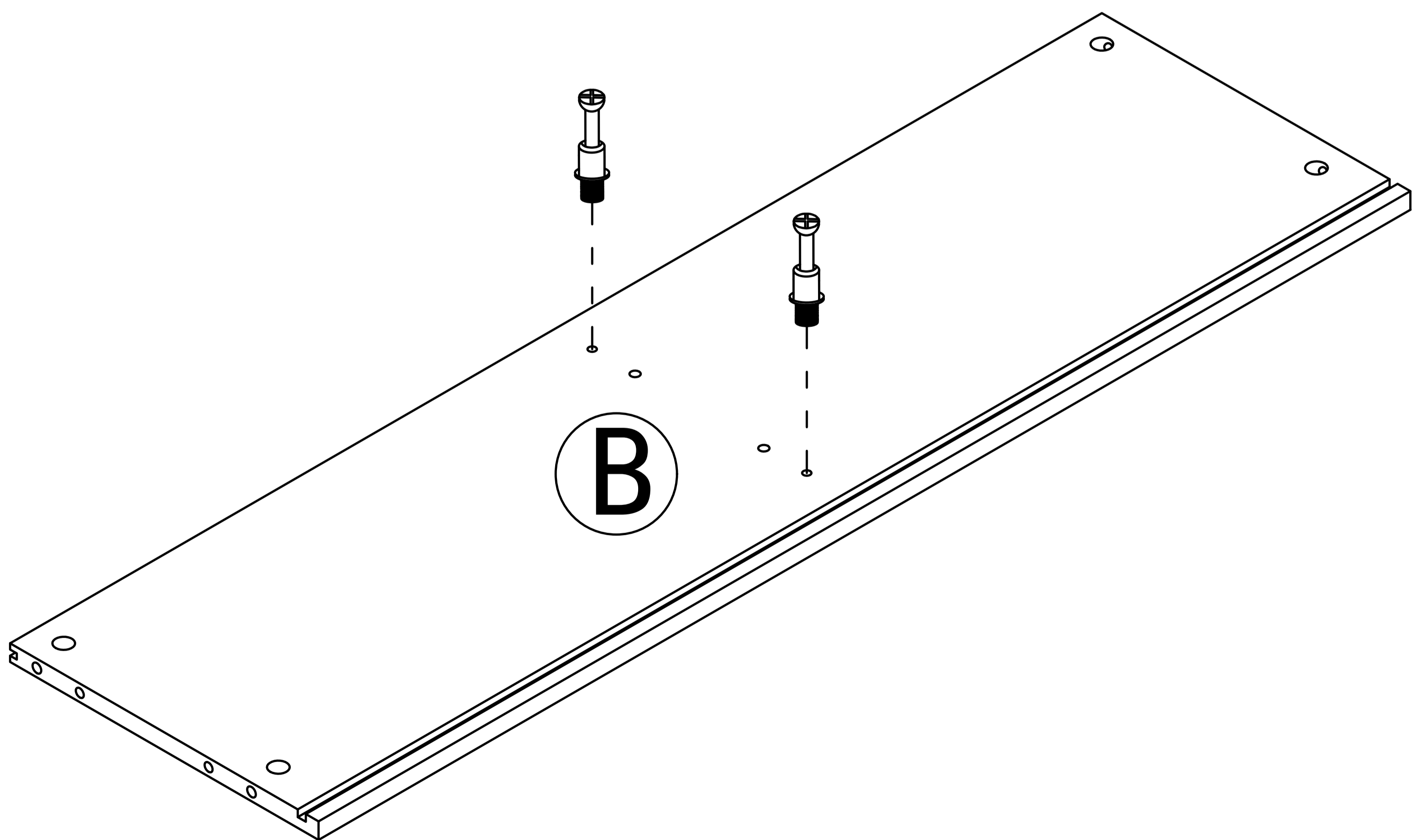
4

Step 2



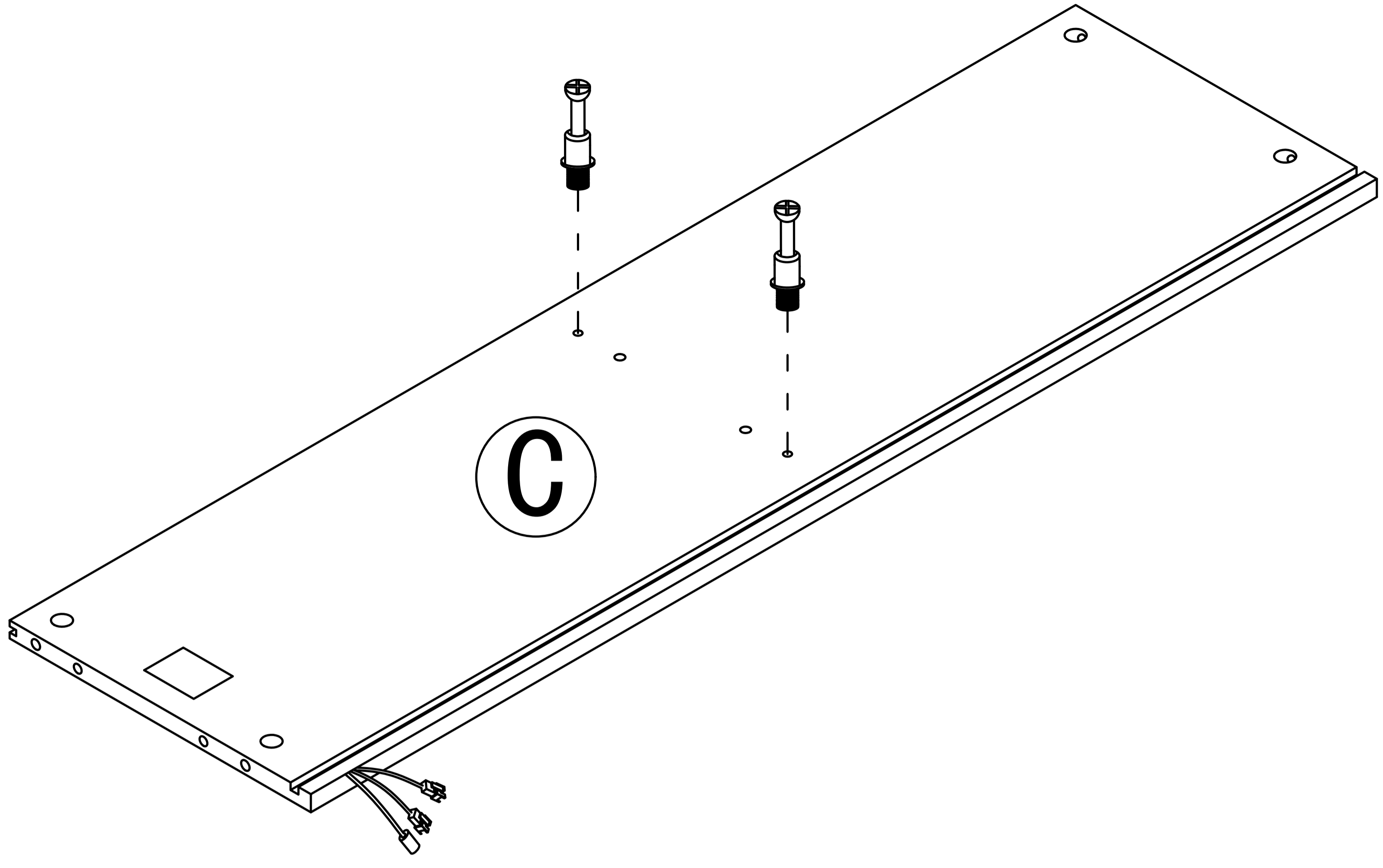
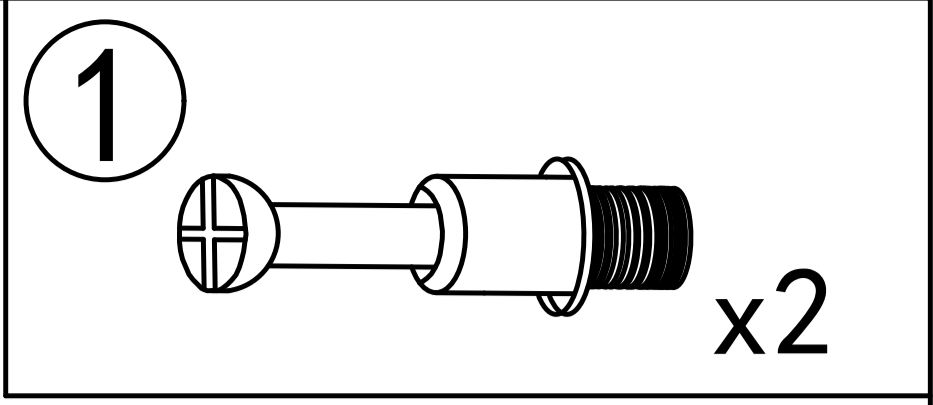
- ① x4
- ③ x4
- ⑧ x1 x4

Step 3

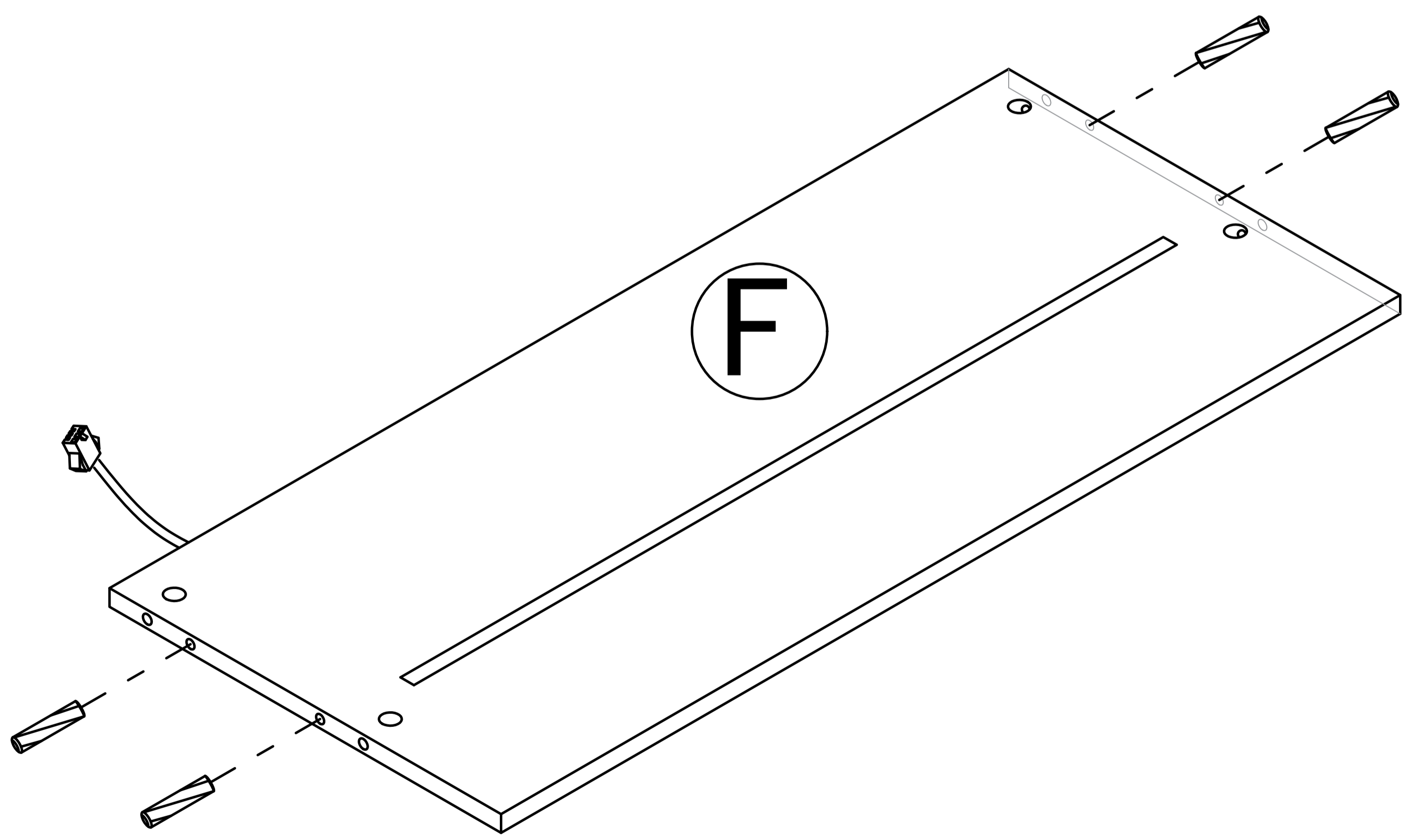
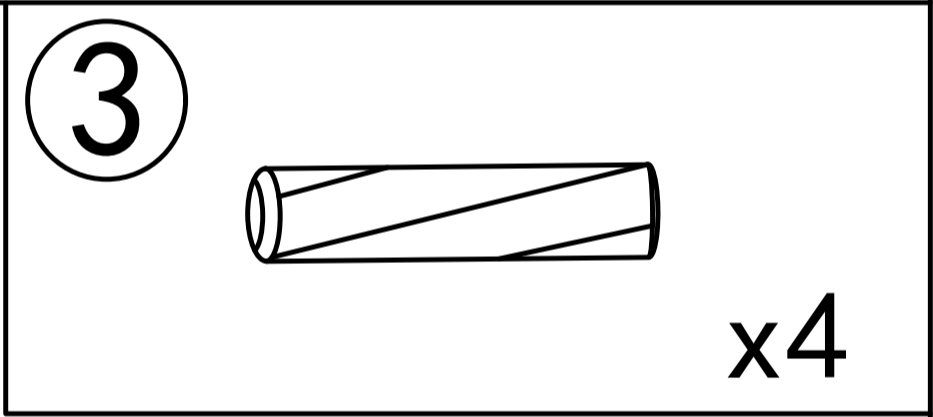


- ① x2

Step 4

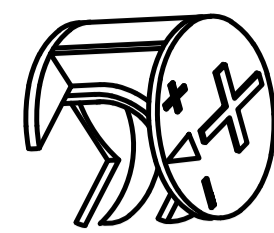


Step 5

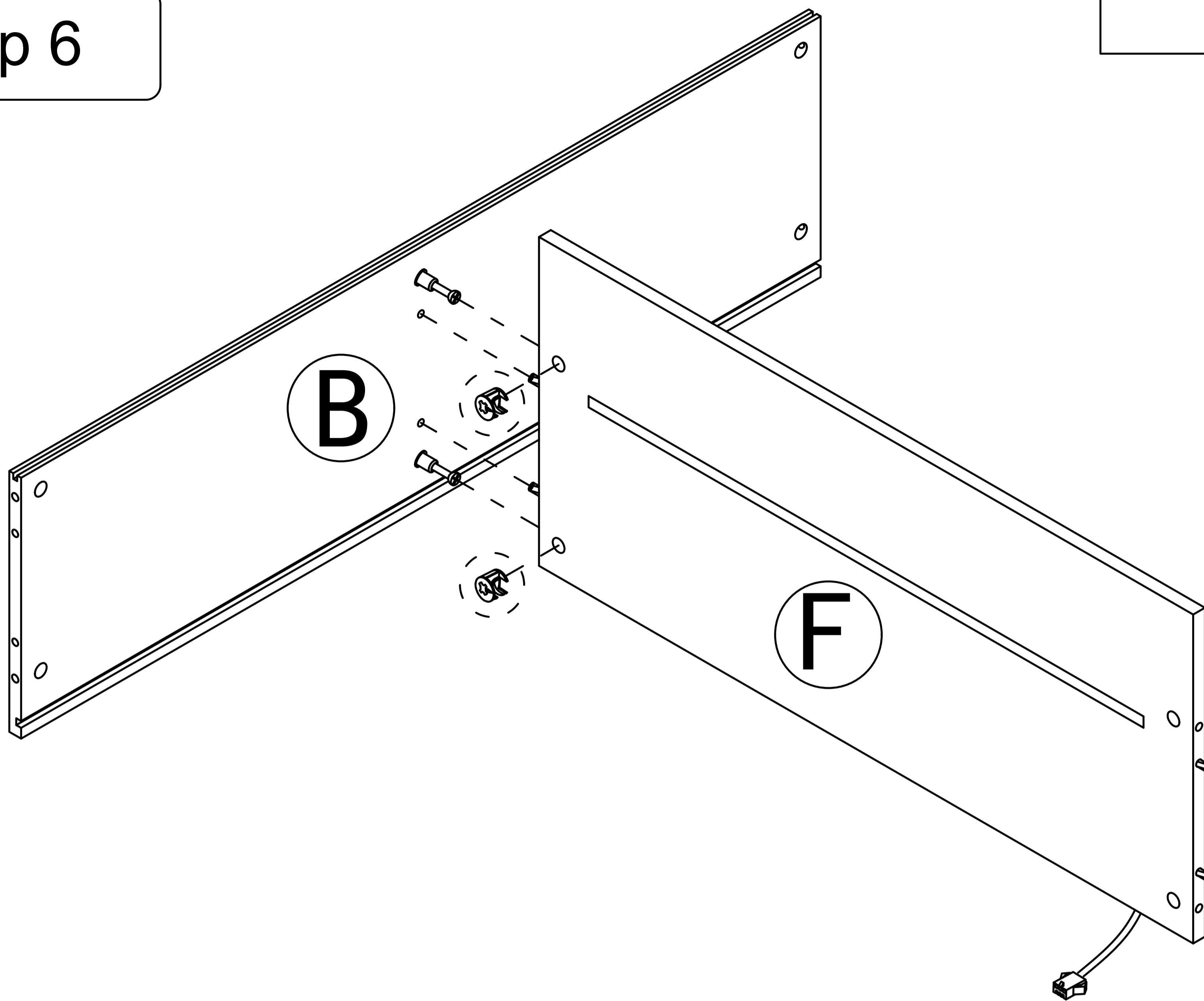


Step 6

2

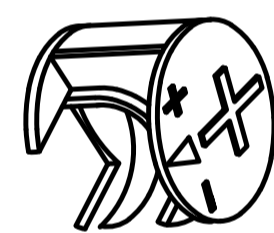


x2

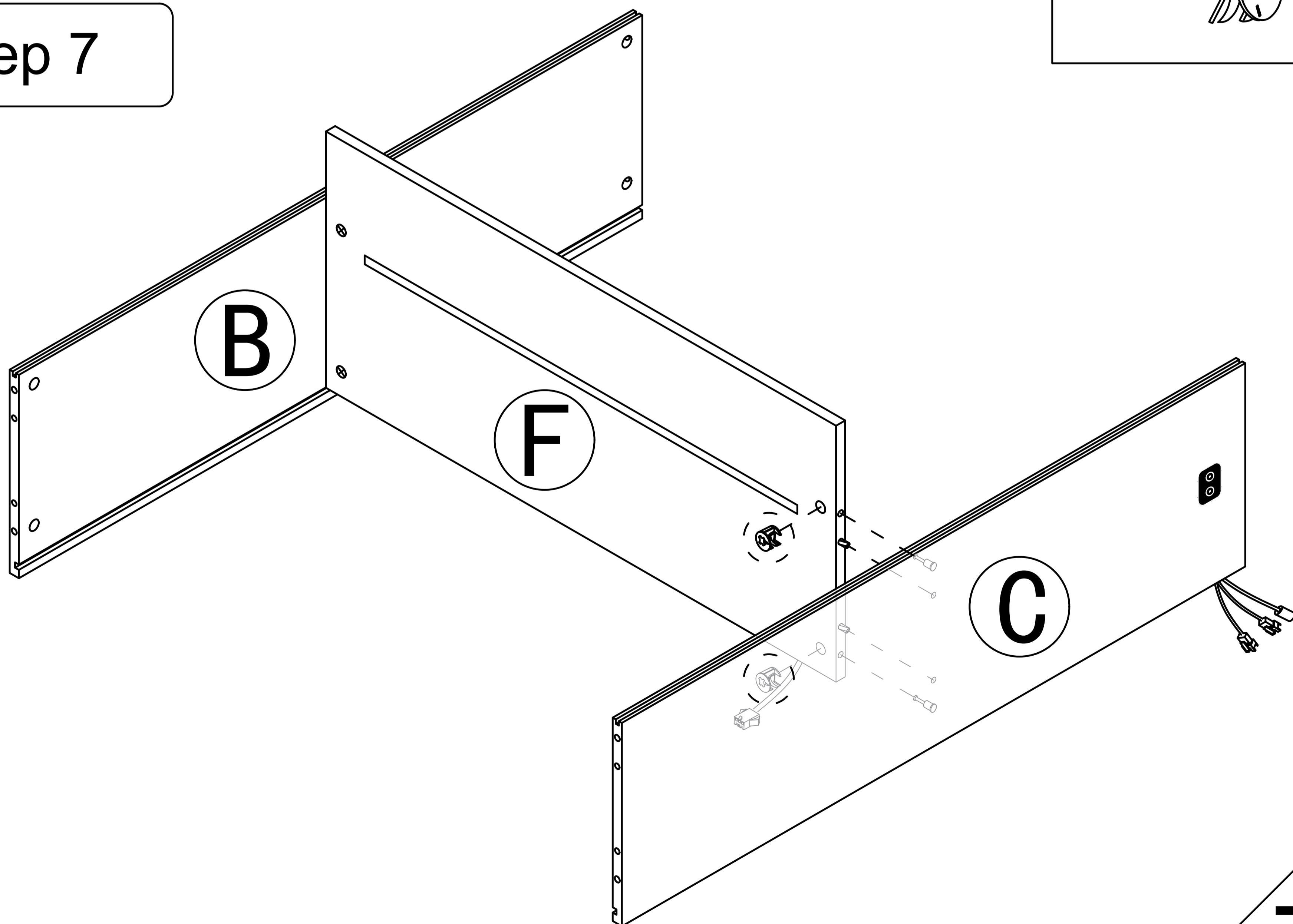


Step 7

2

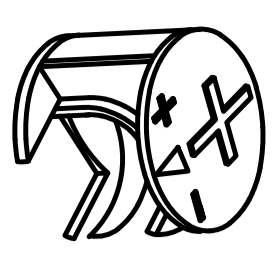


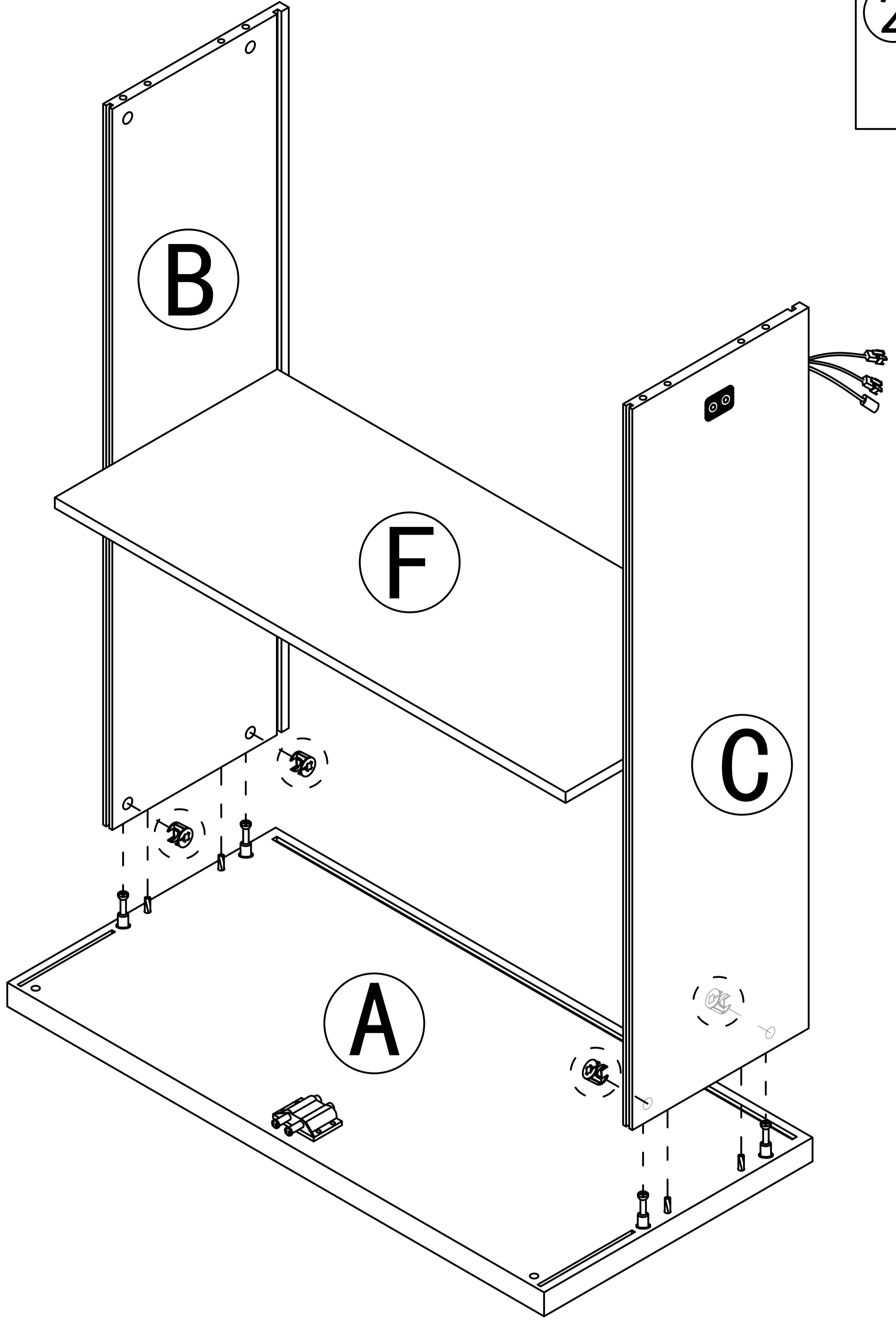
x2



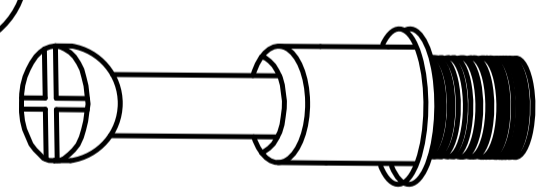
7

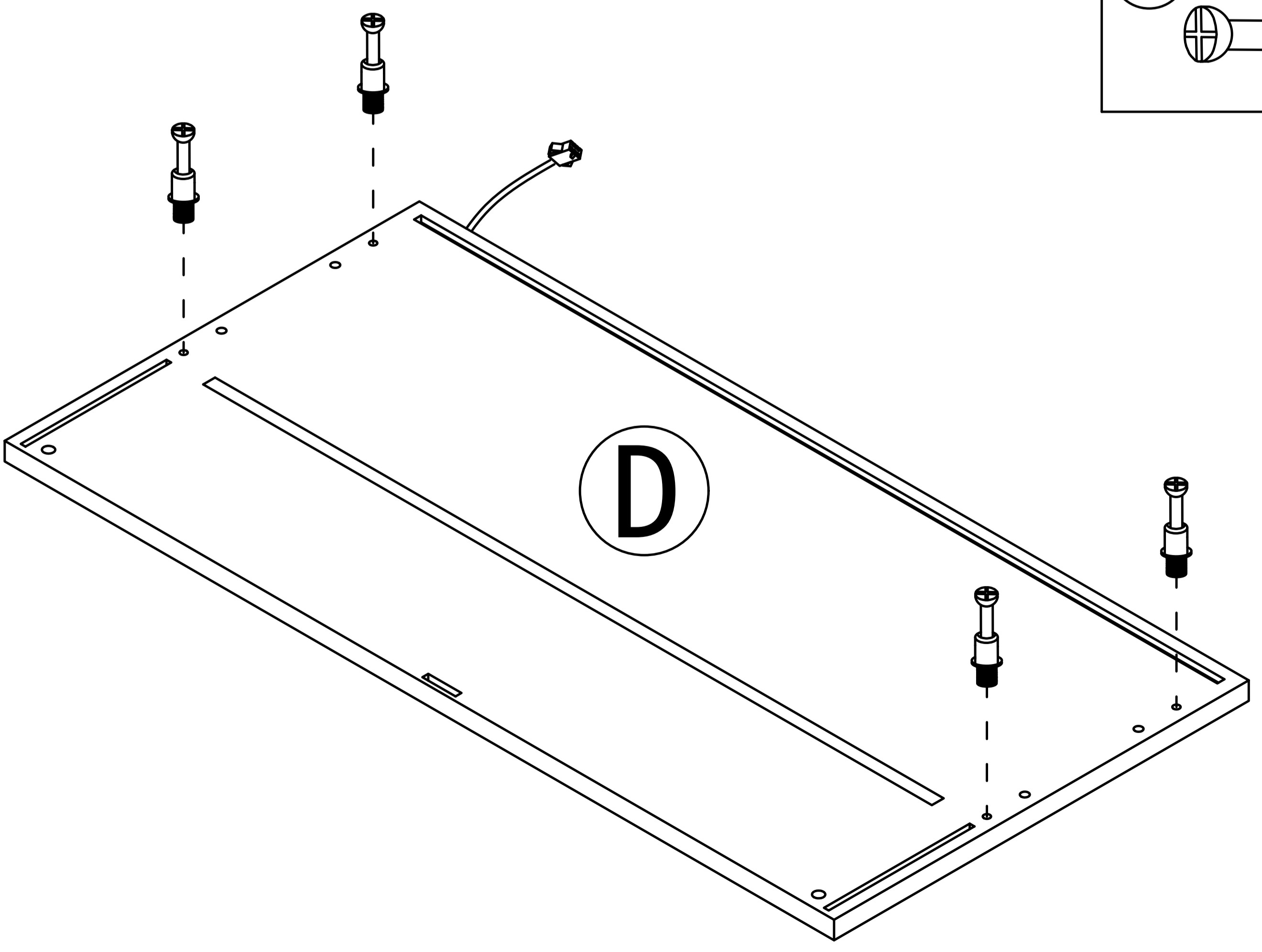
Step 8

2  x4




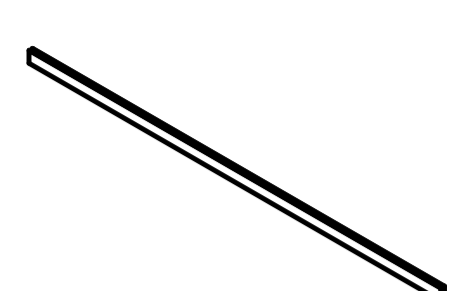
Step 9

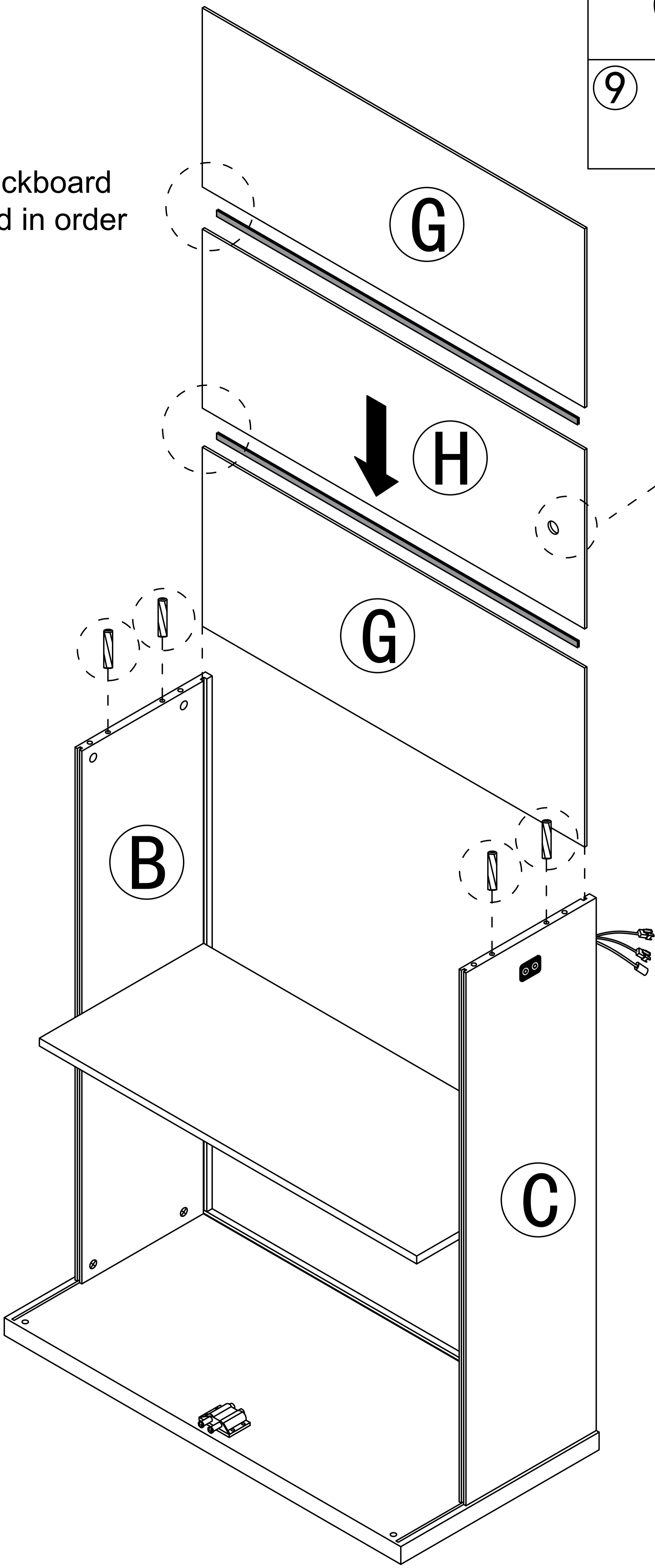
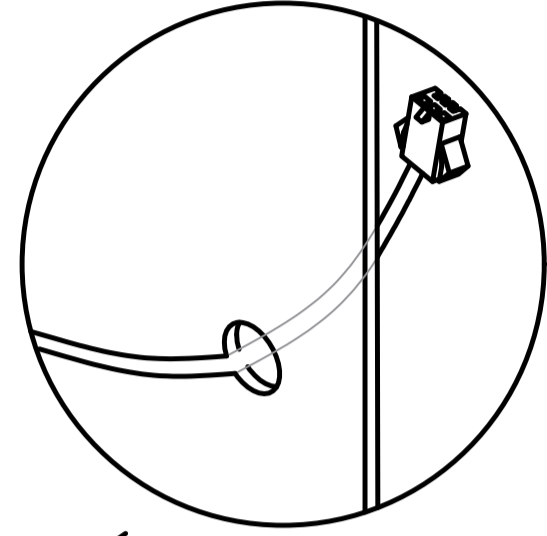
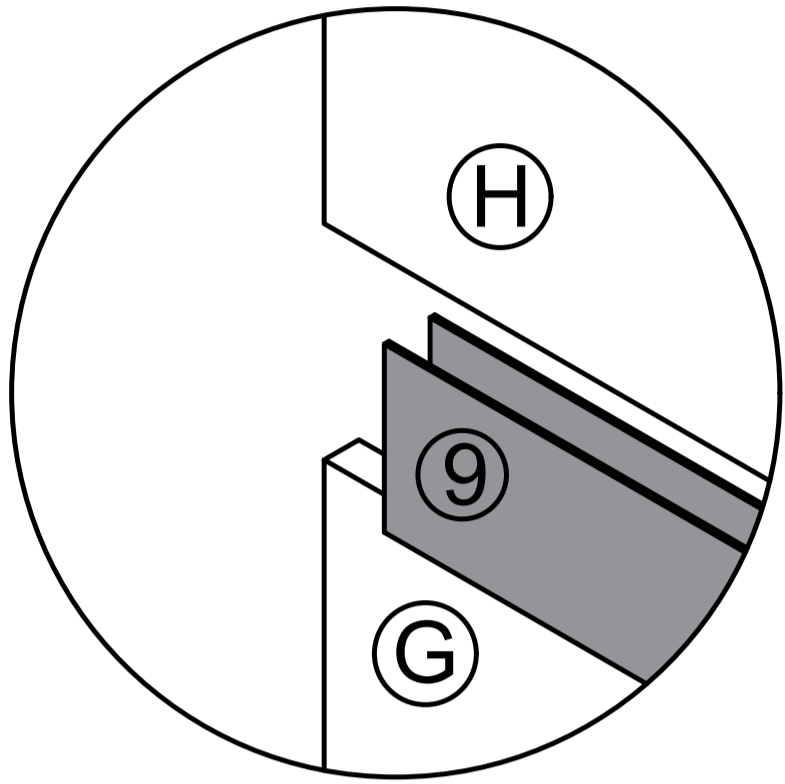
1  x4



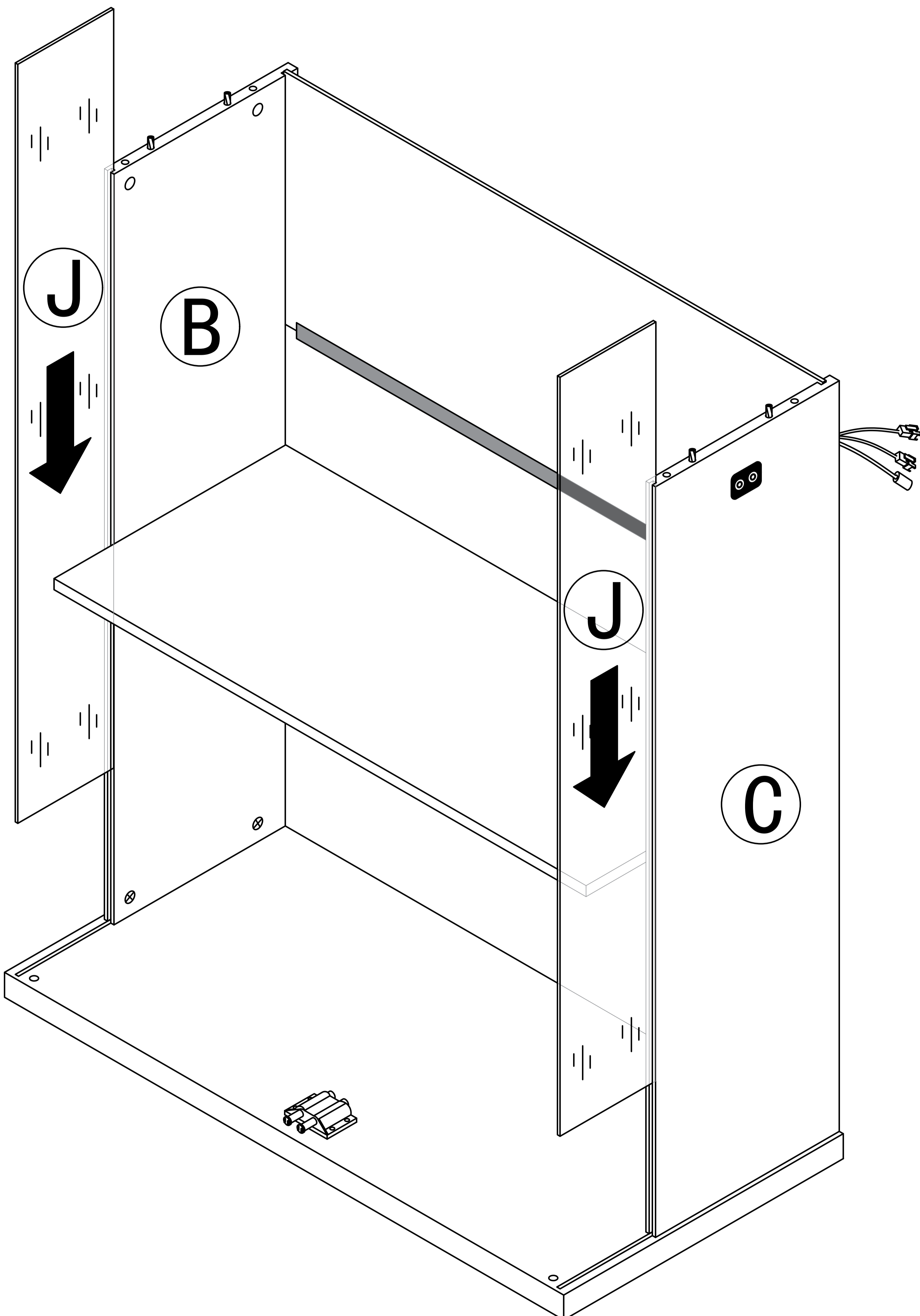
Step 10

Place the "G" board, Backboard card strip, and "H" board in order

- ③  x4
- ⑨  x2

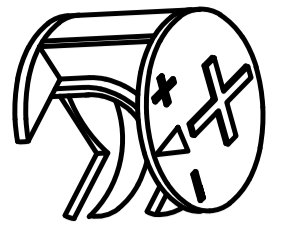


Step 11

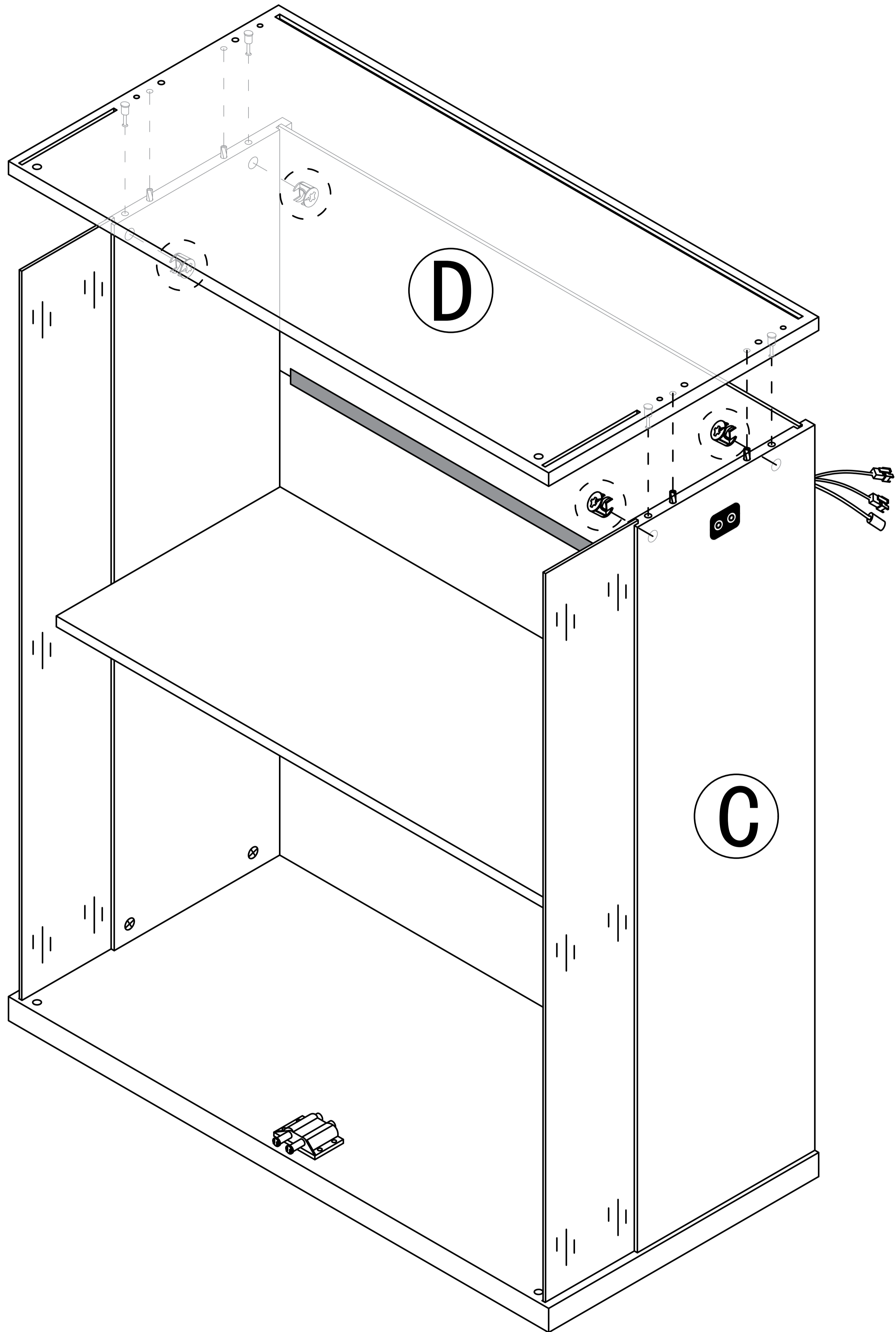


Step 12

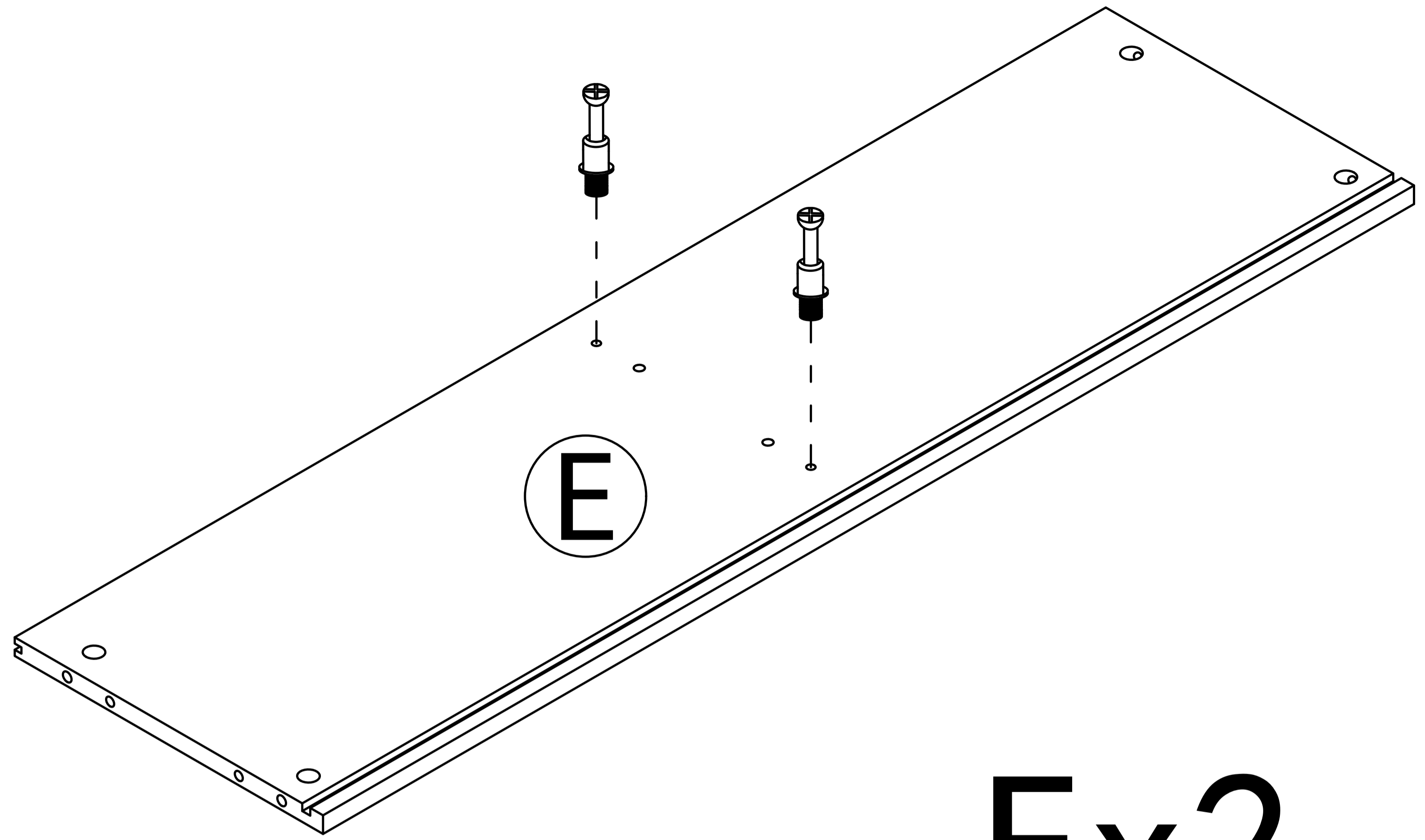
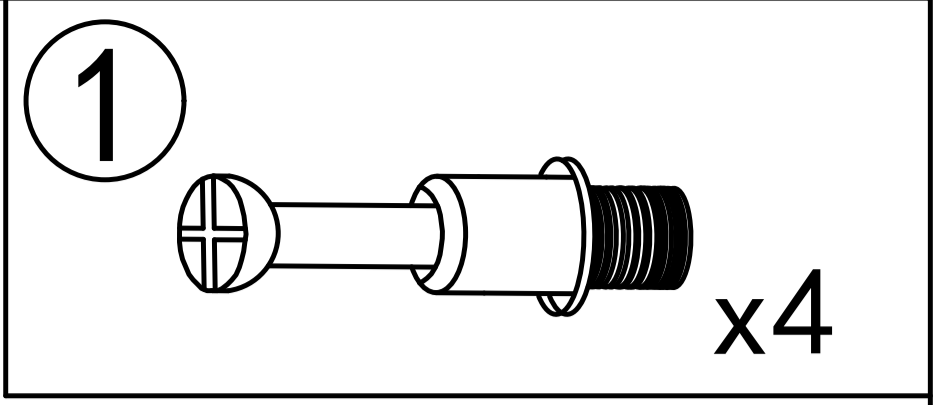
2



x4

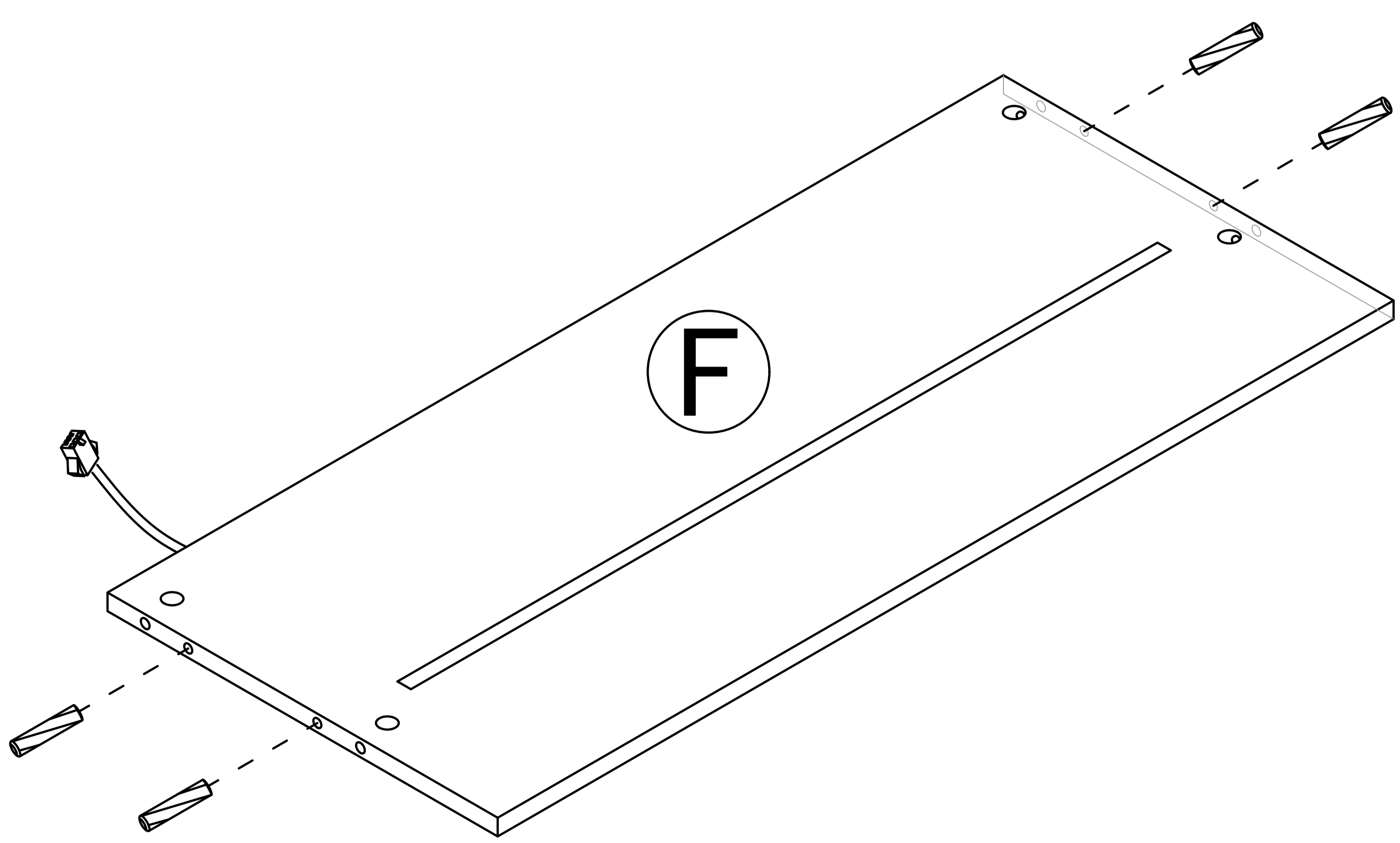
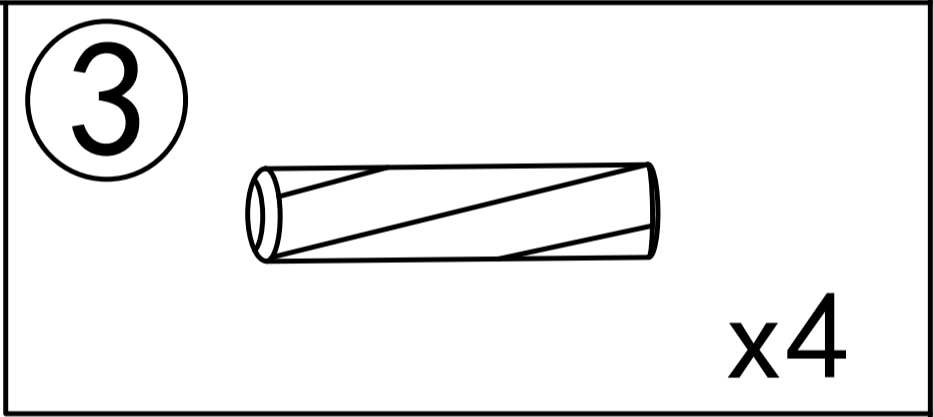


Step 13



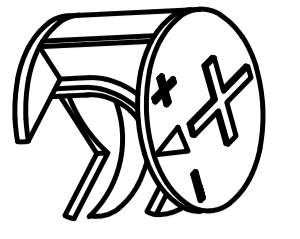
Ex2

Step 14

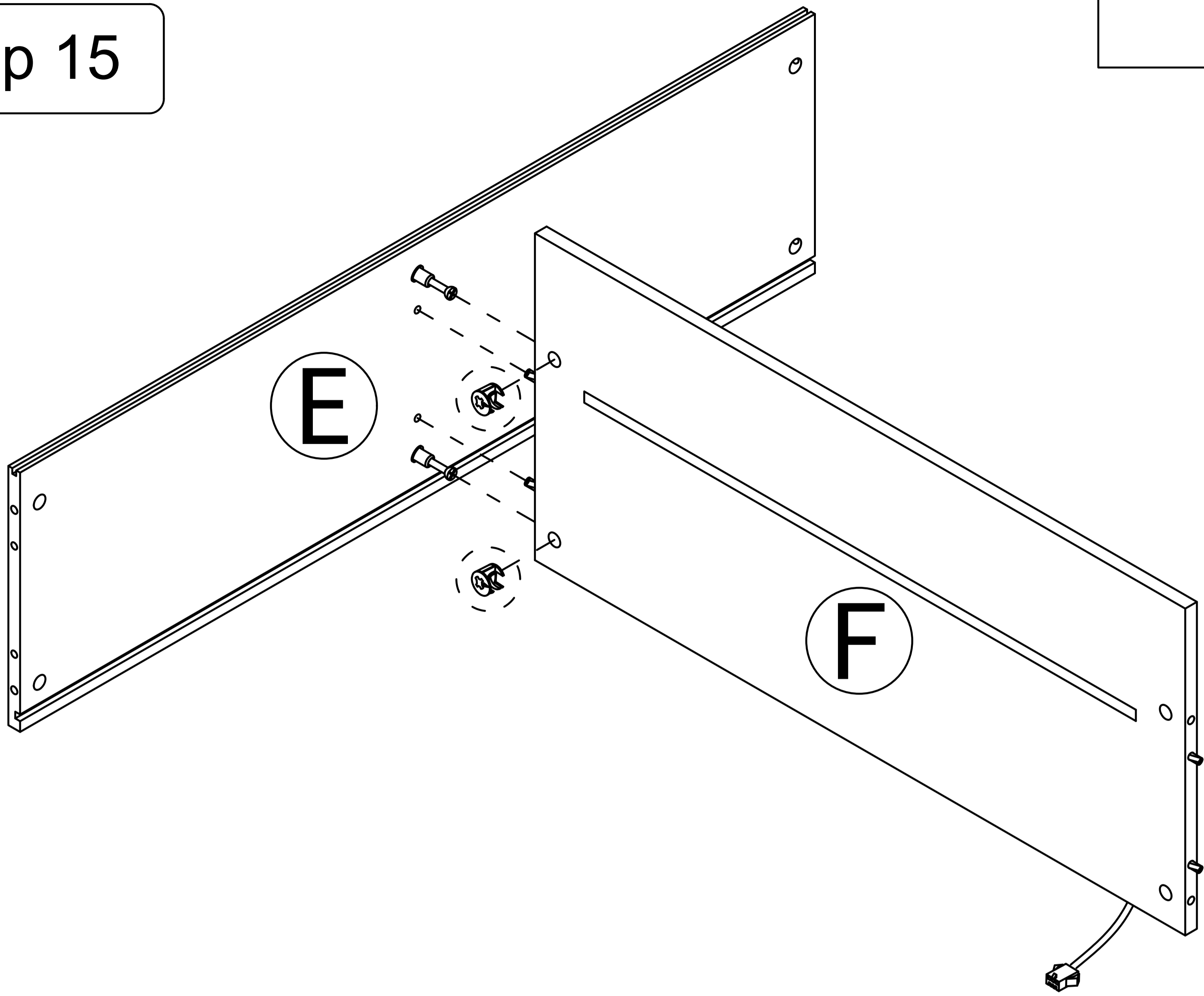


Step 15

2

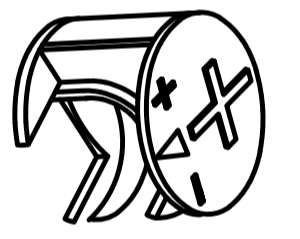


x2

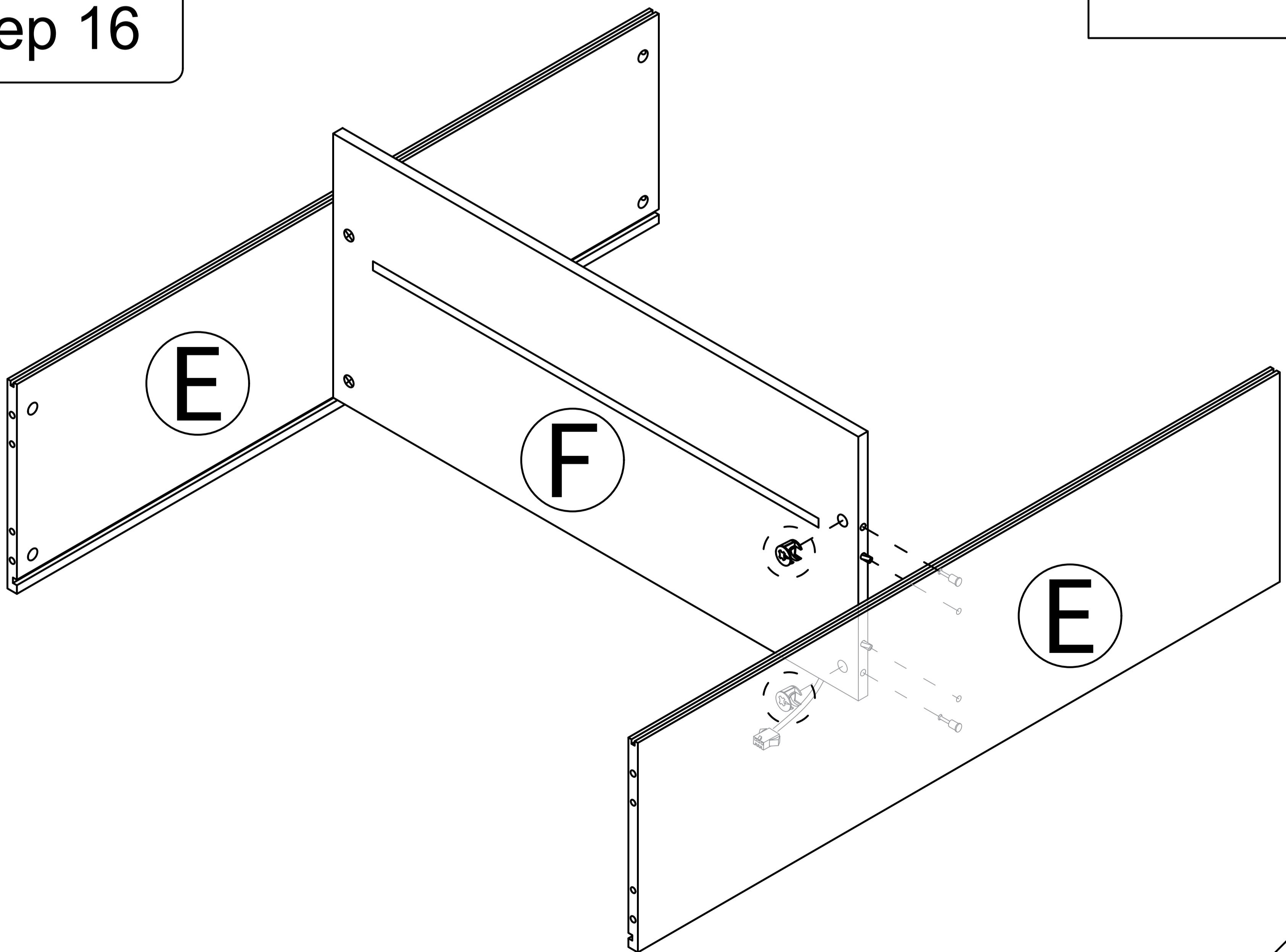


Step 16

2

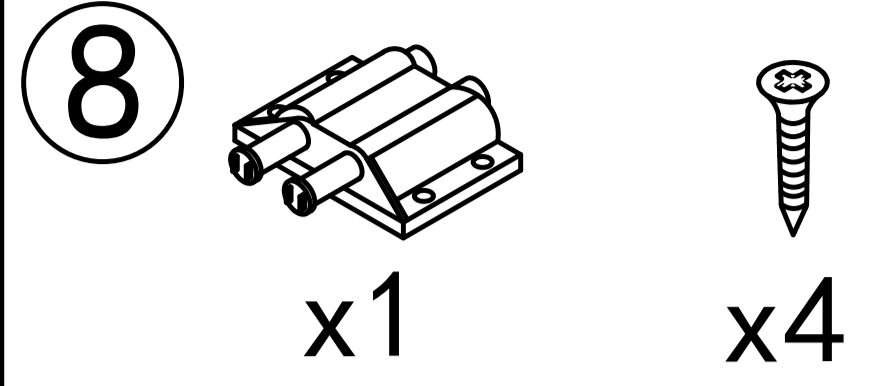
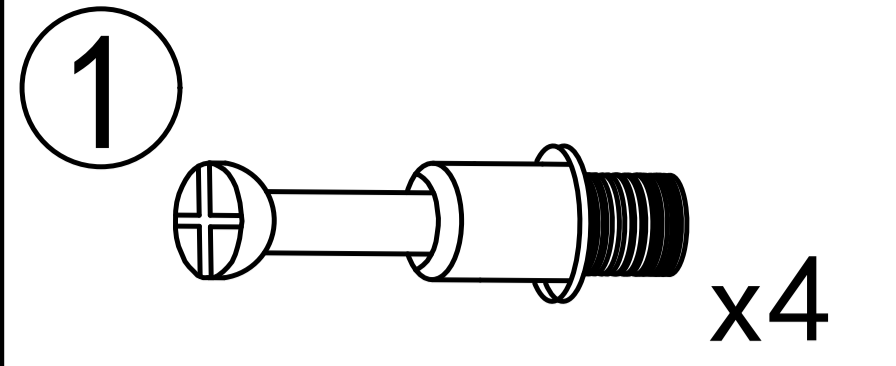
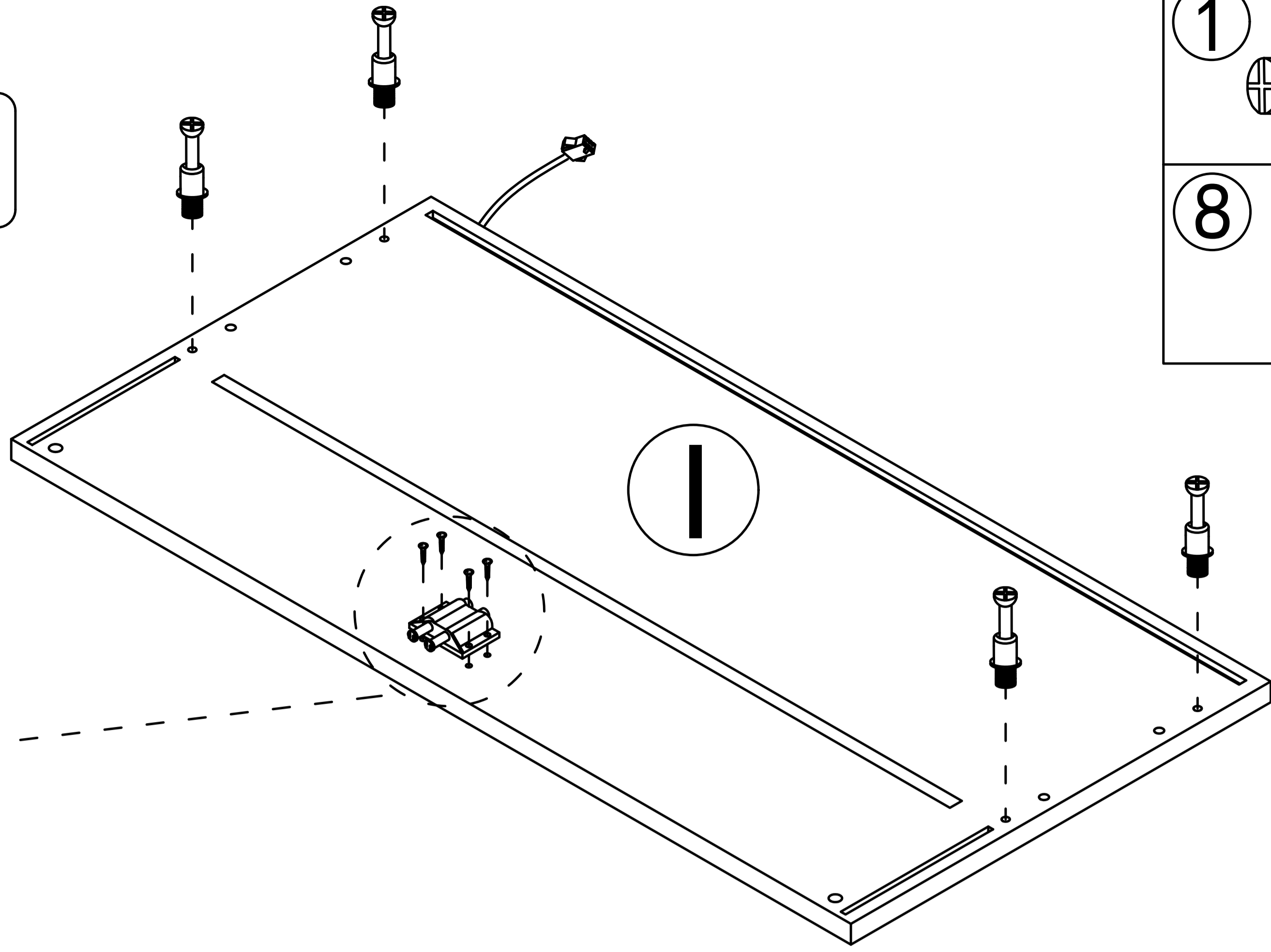


x2

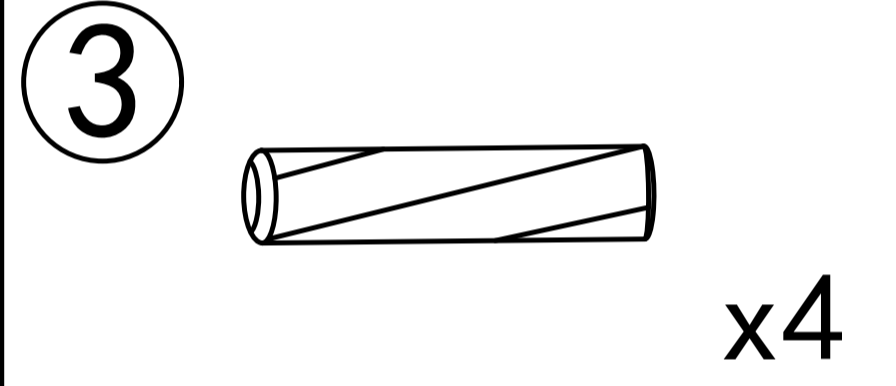
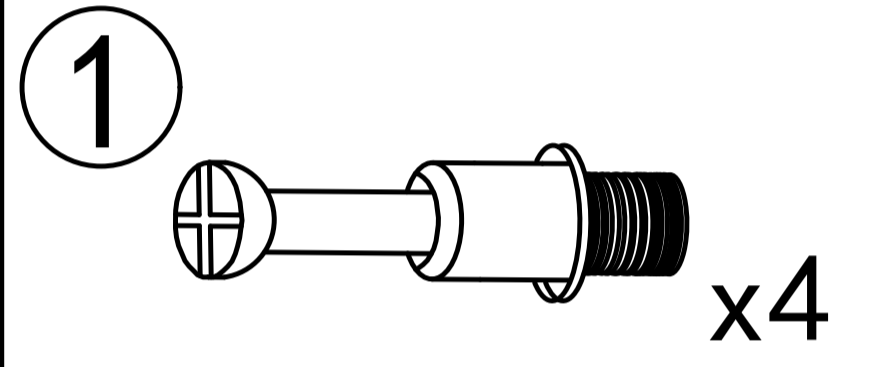
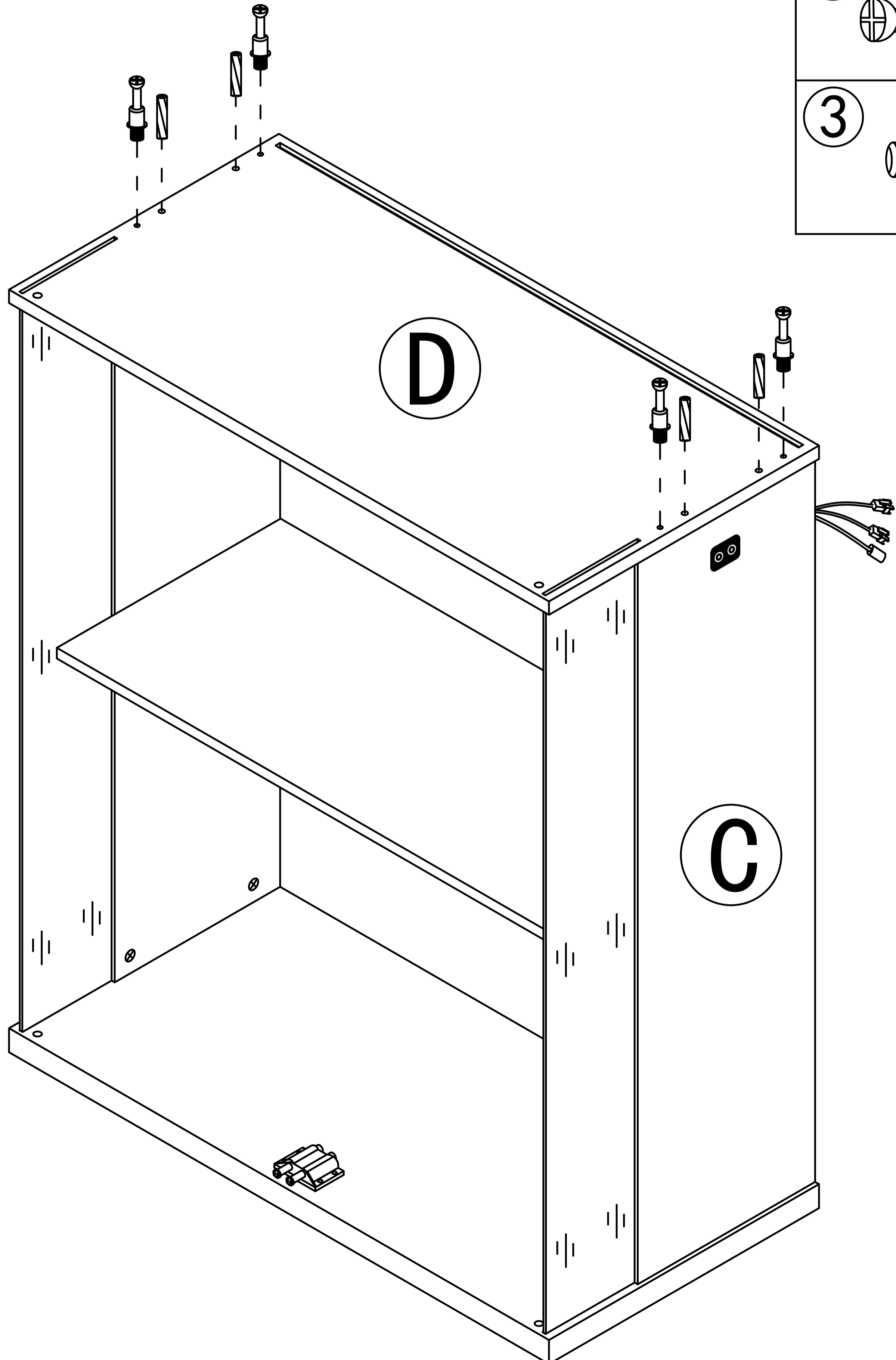


13

Step 17

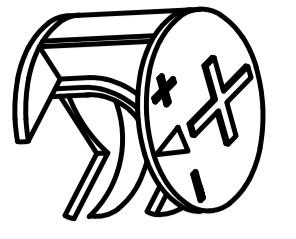


Step 18

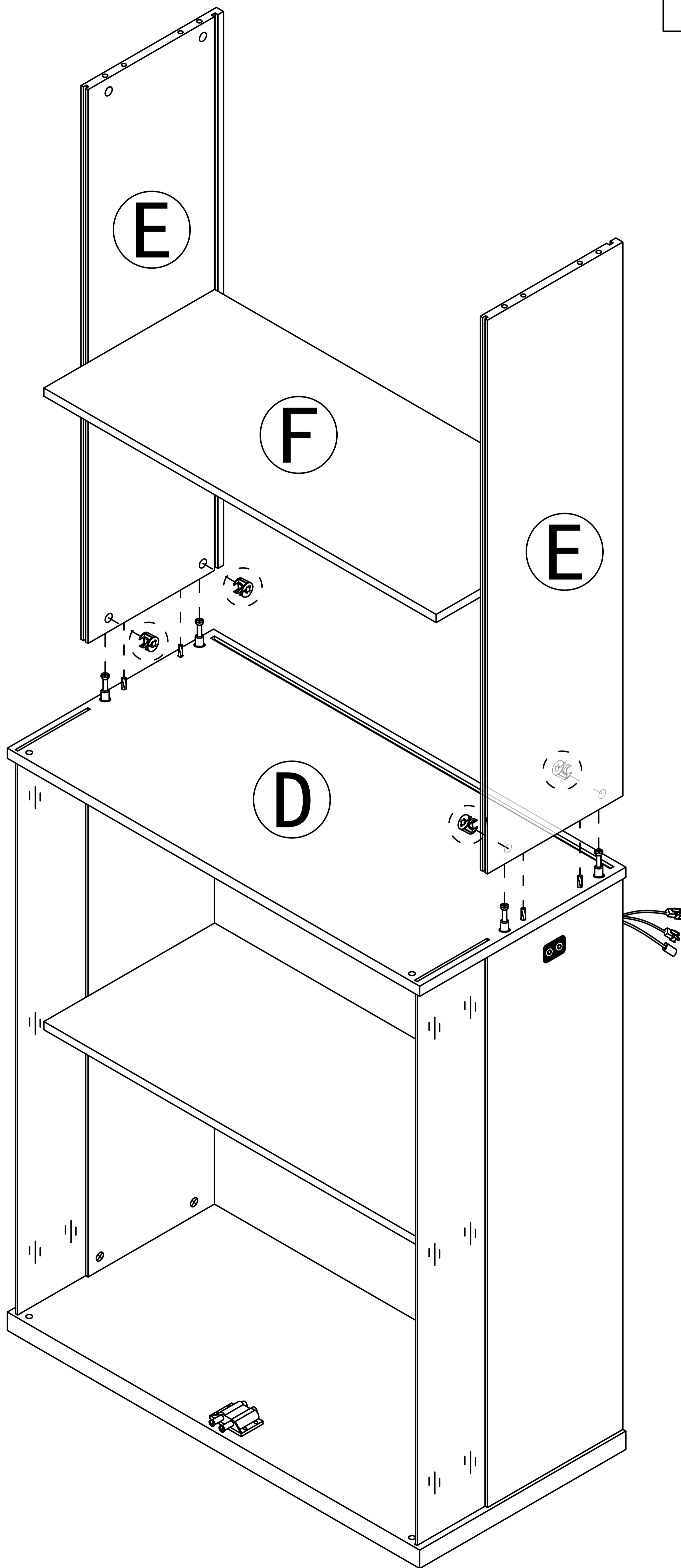


Step 19

2

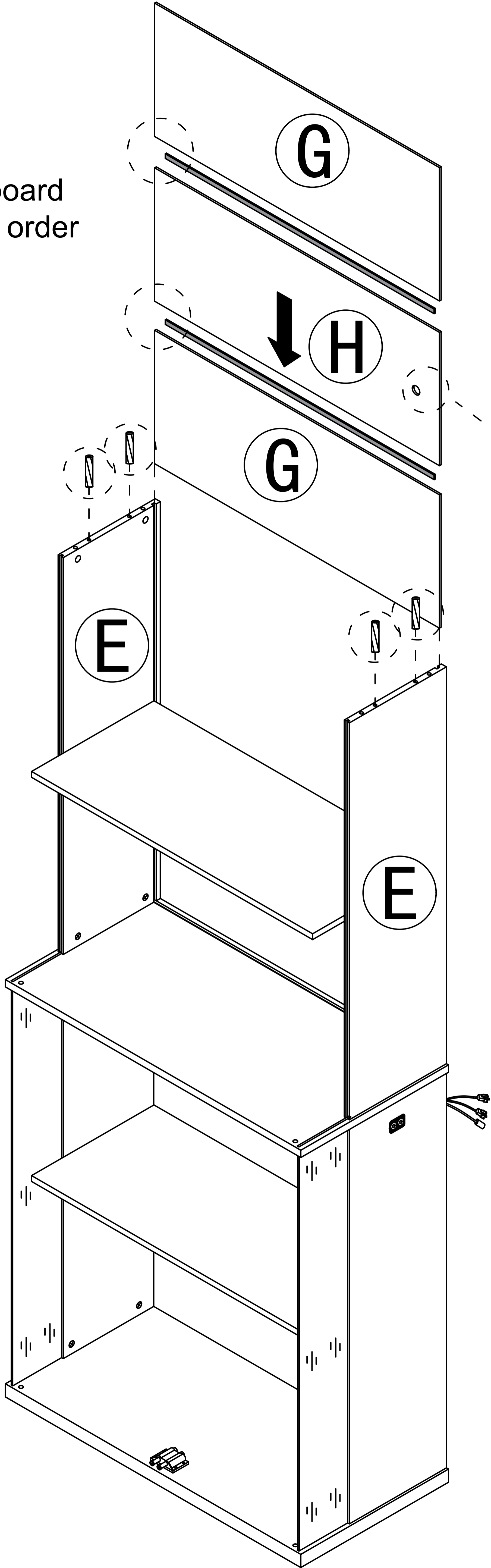
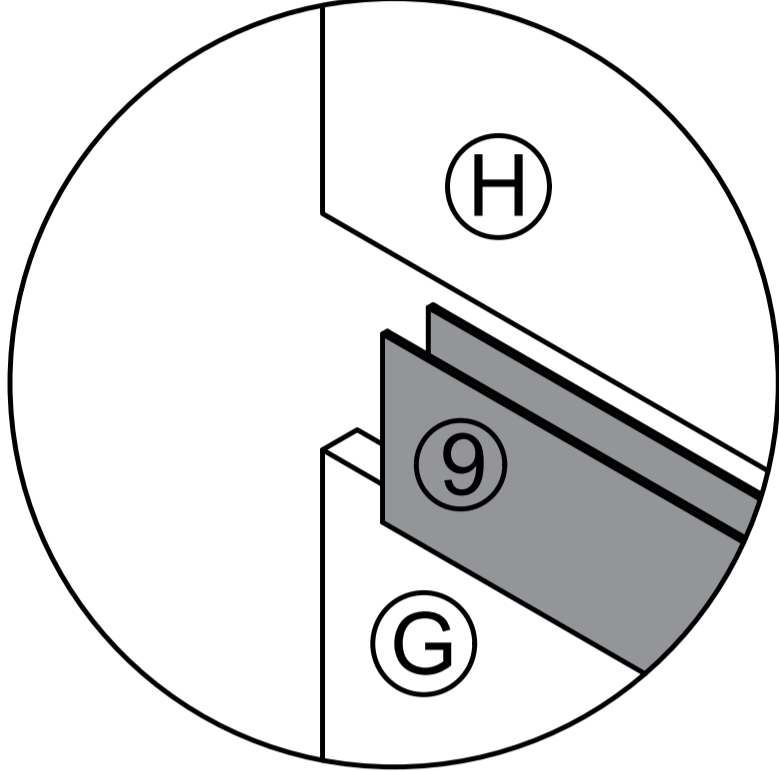



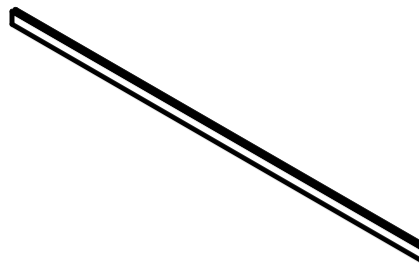
x4

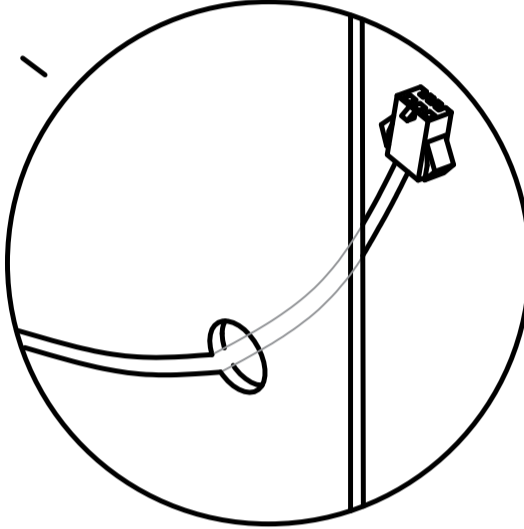


Step 20

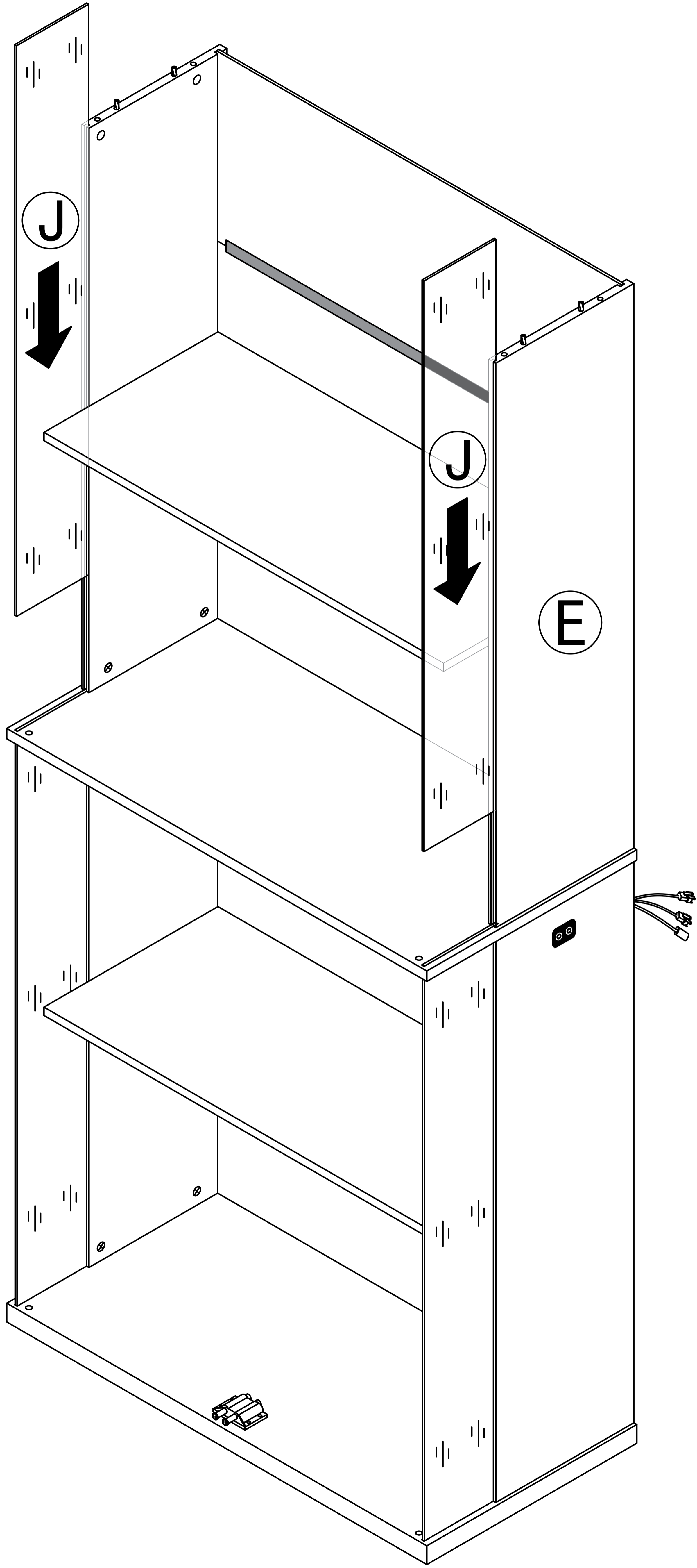
Place the "G" board, Backboard card strip, and "H" board in order



- ③  x4
- ⑨  x2

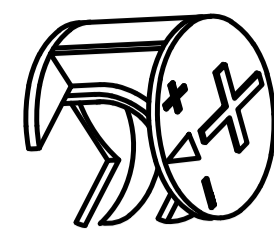


Step 21

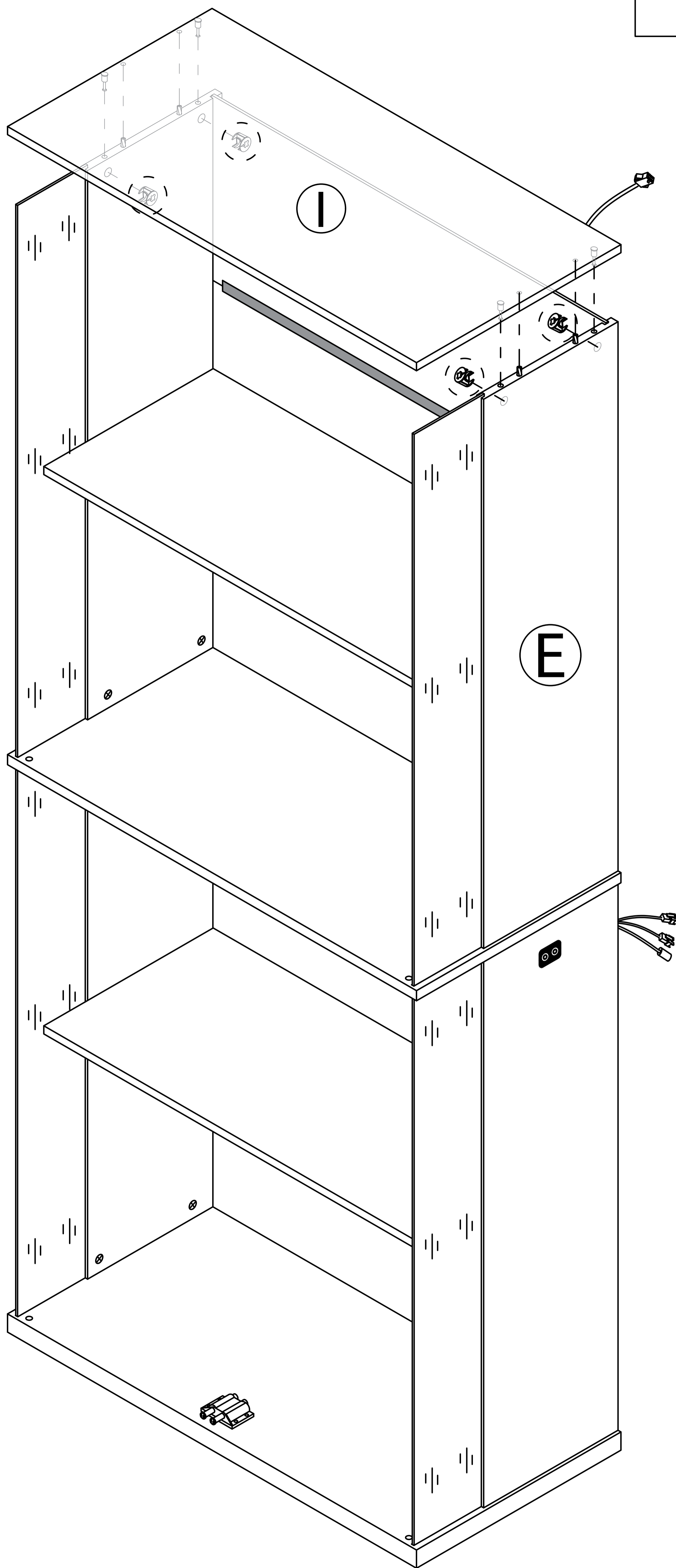


Step 22

2

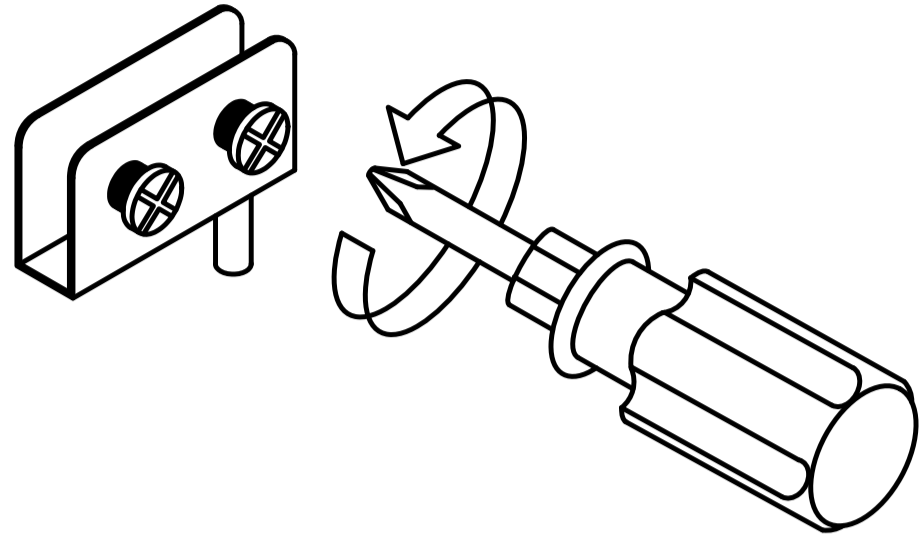


x4

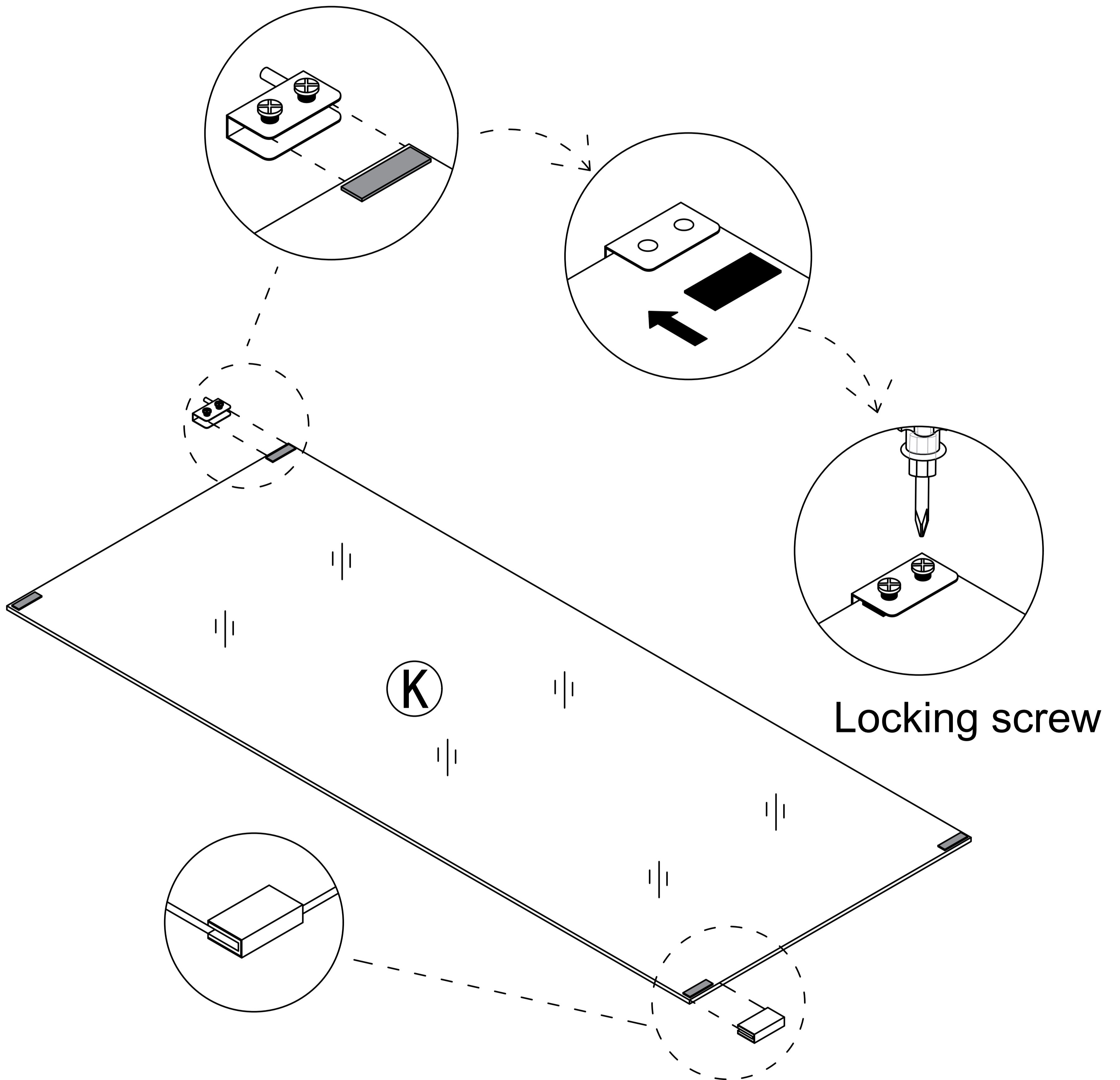
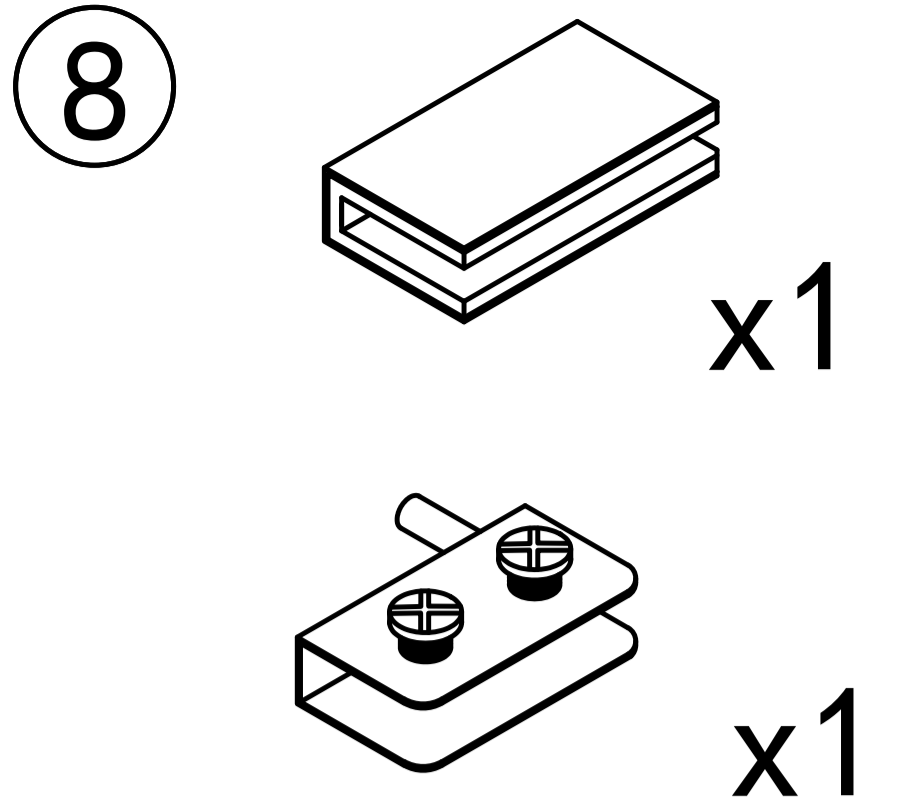
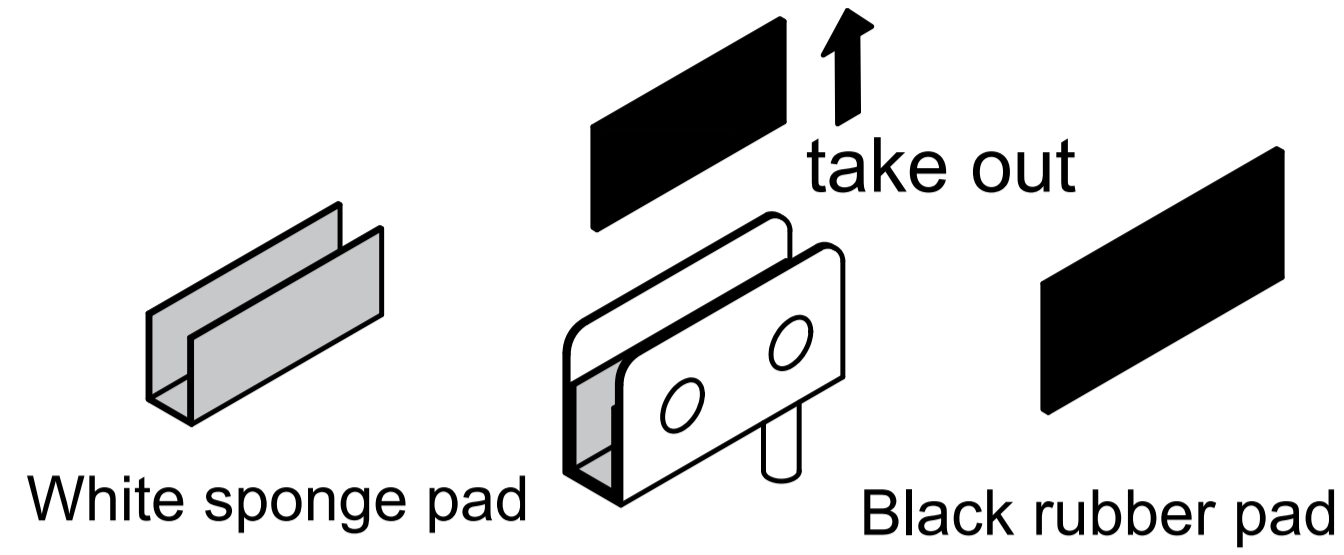


Step 23

First, completely unscrew the screws on the parts



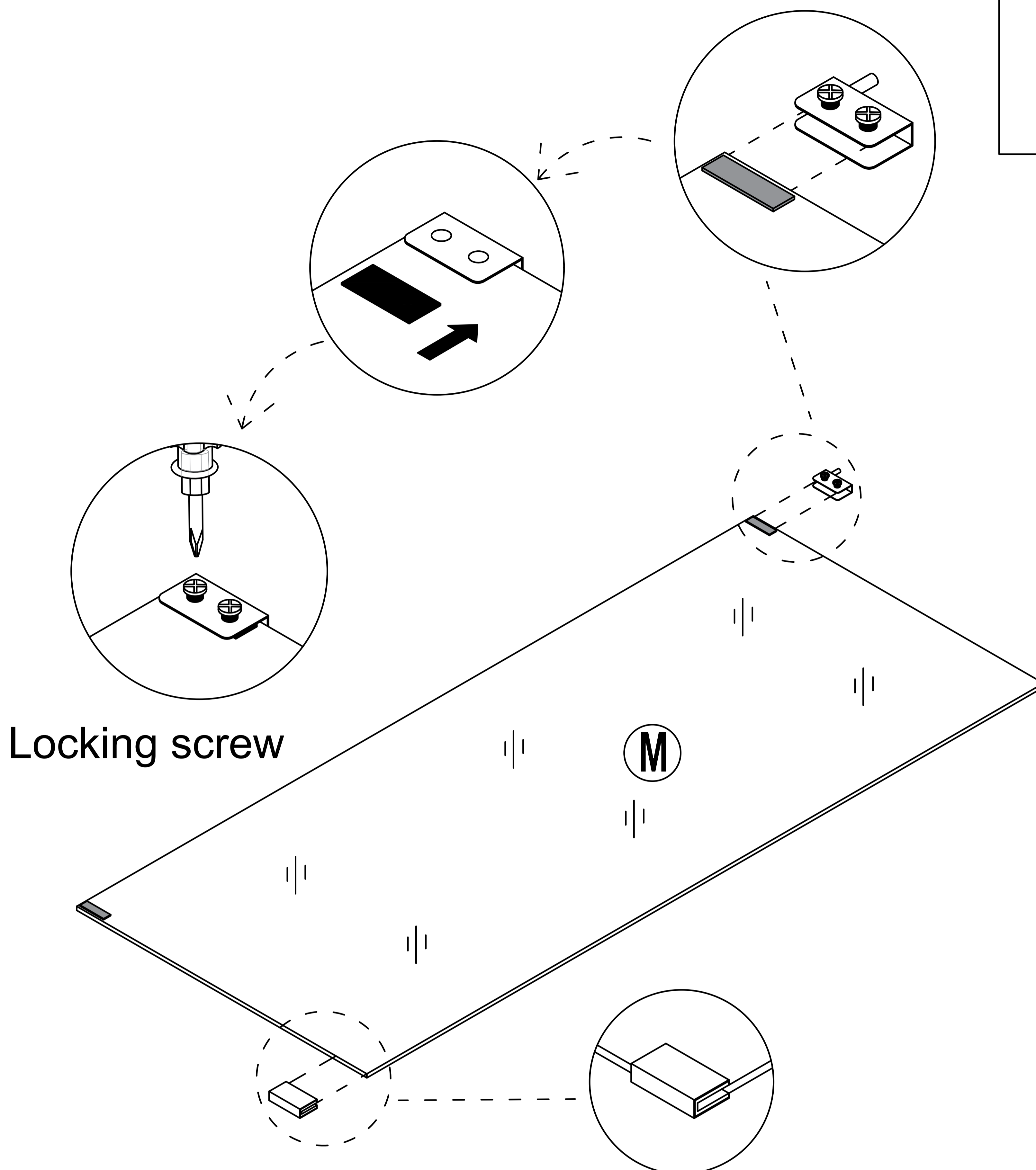
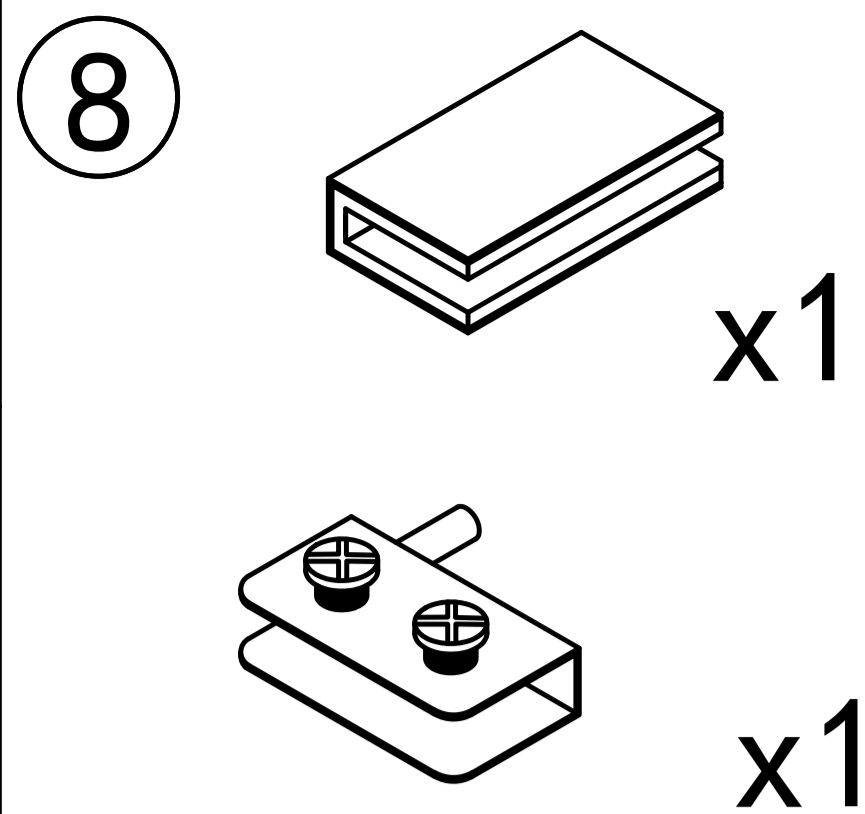
Then take out the black rubber pad from the inside of the part, and the white sponge remains unchanged inside the part.



Pay attention to the direction of the door hinge, rotate the screws to compress the black gasket, and do not place it in the opposite direction

Place the black gasket on the side where the screws are installed

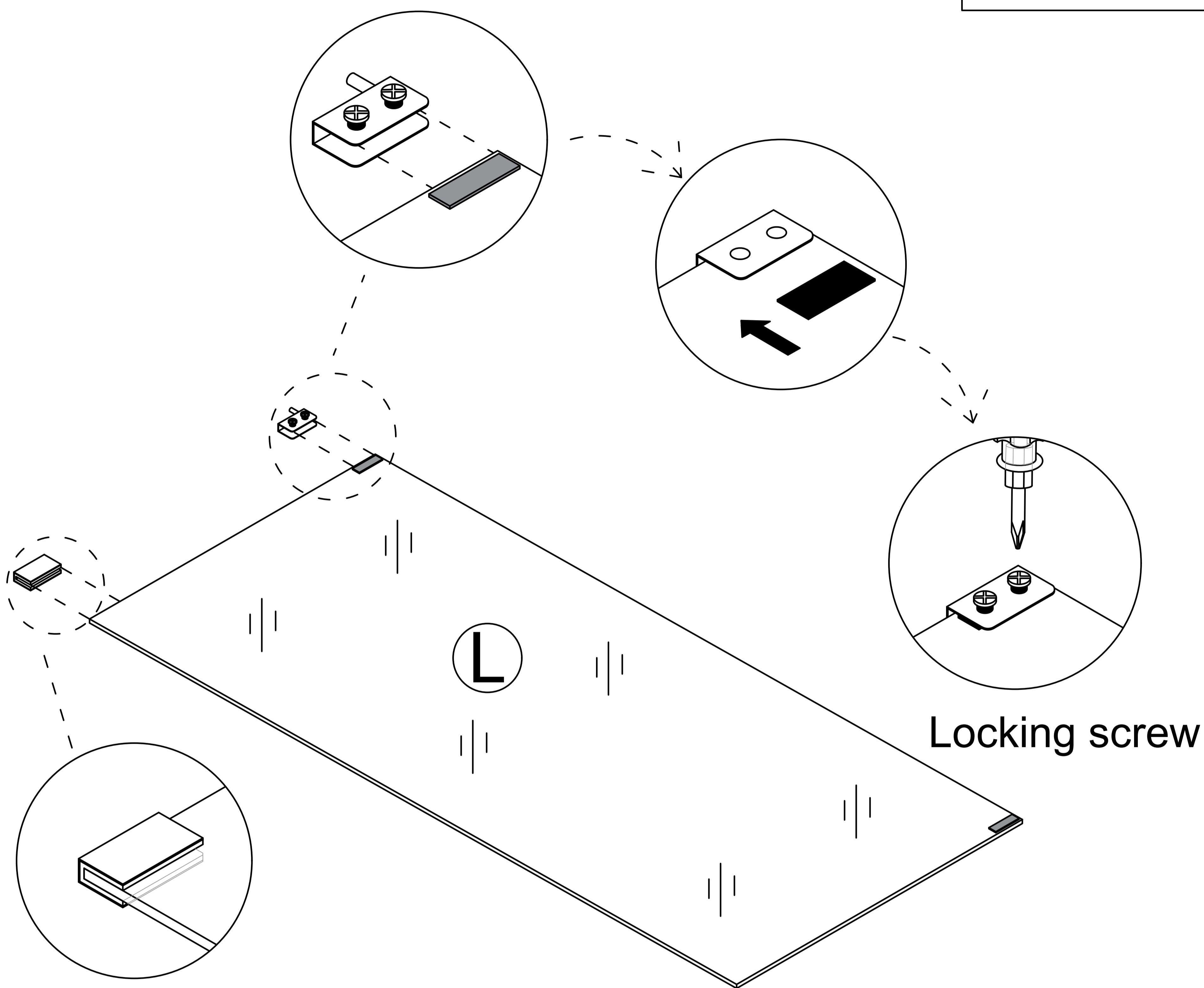
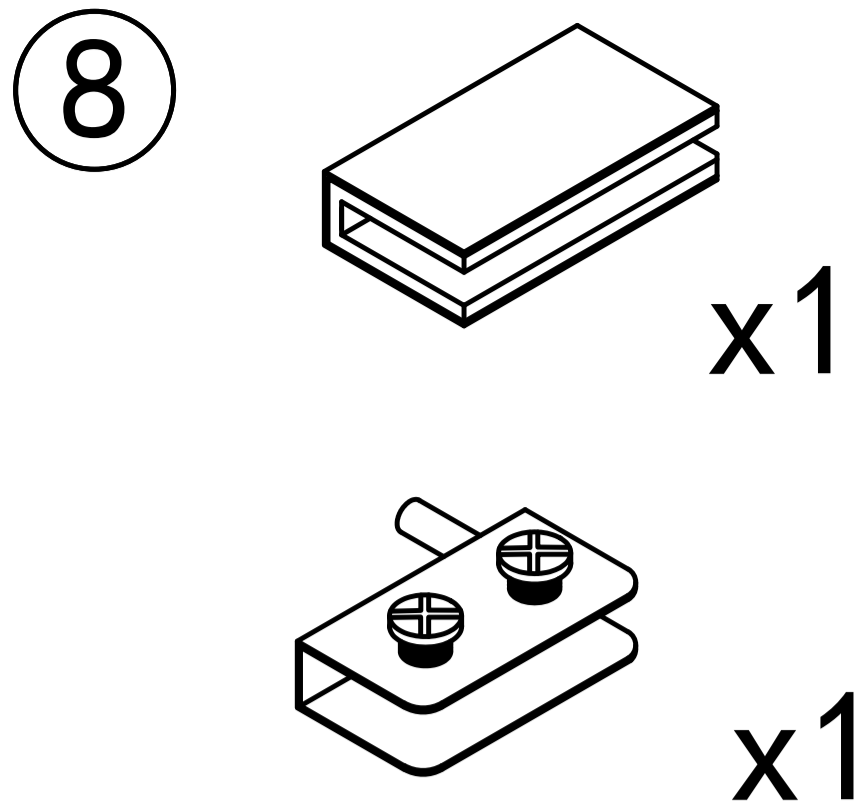
Step 24



Pay attention to the direction of the door hinge, rotate the screws to compress the black gasket, and do not place it in the opposite direction

Place the black gasket on the side where the screws are installed

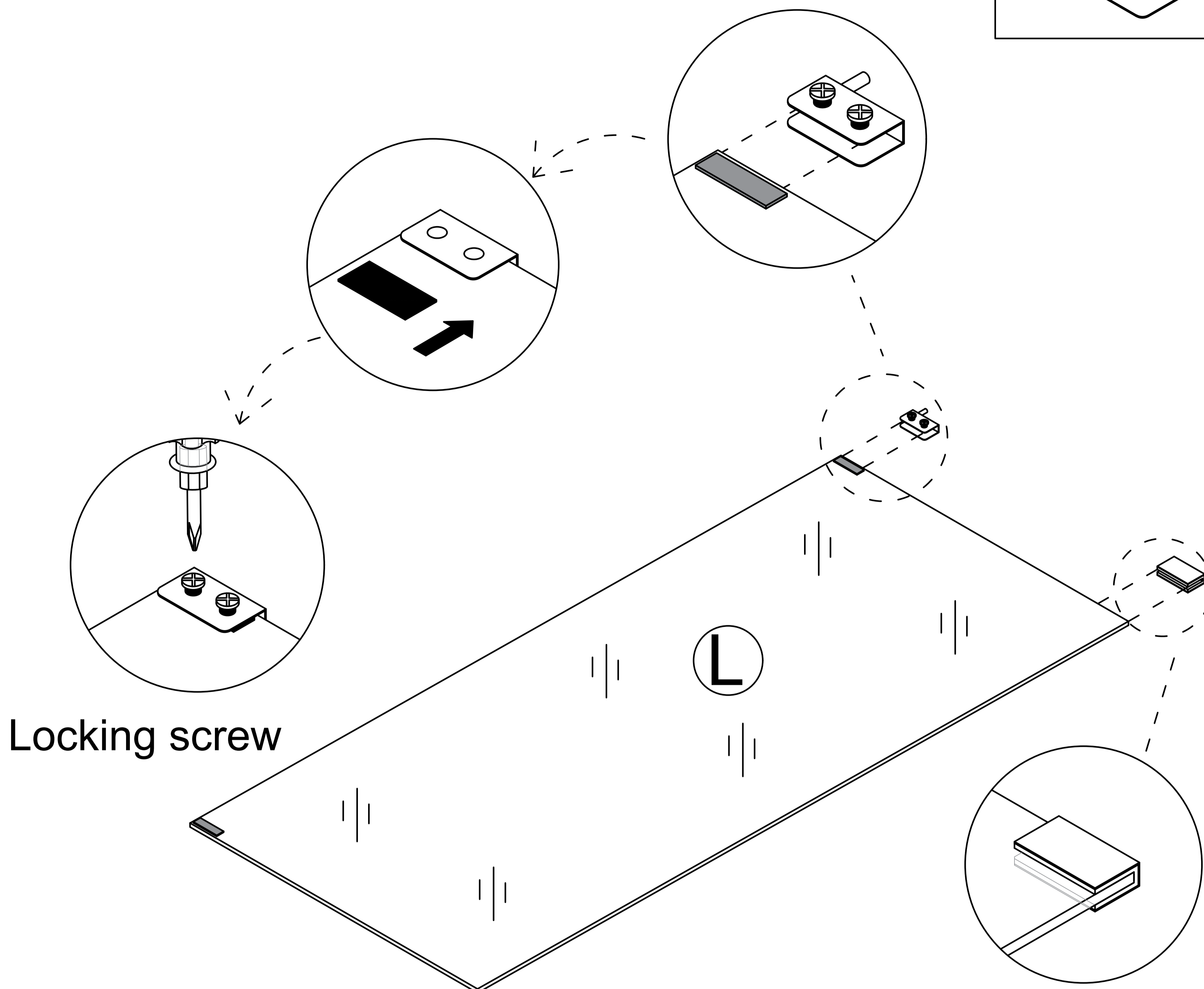
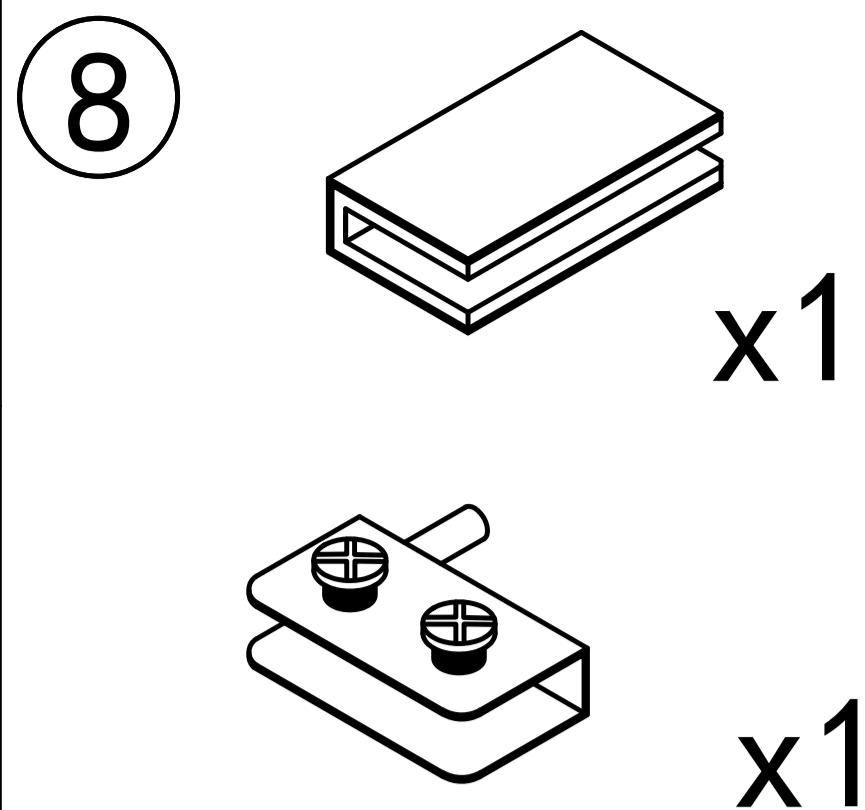
Step 25



Pay attention to the direction of the door hinge, rotate the screws to compress the black gasket, and do not place it in the opposite direction

Place the black gasket on the side where the screws are installed

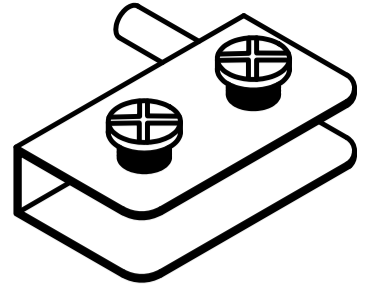
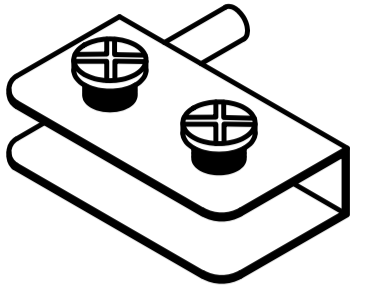

Step 26

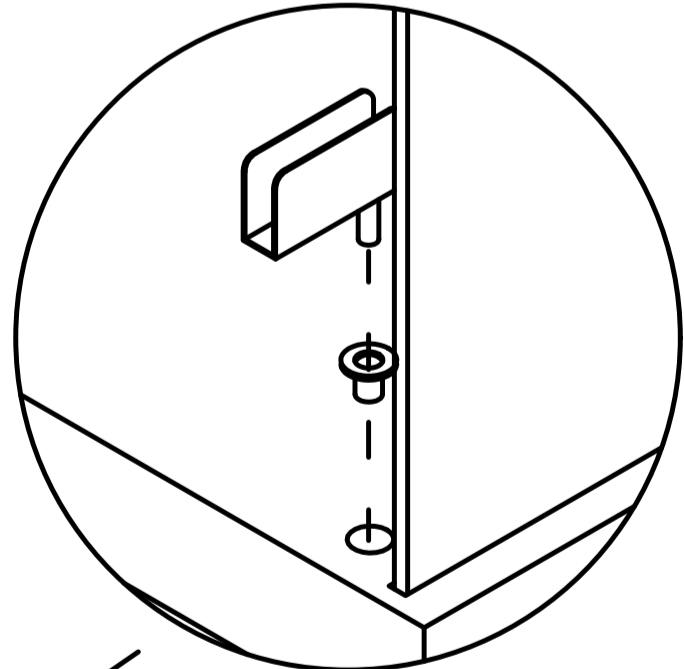
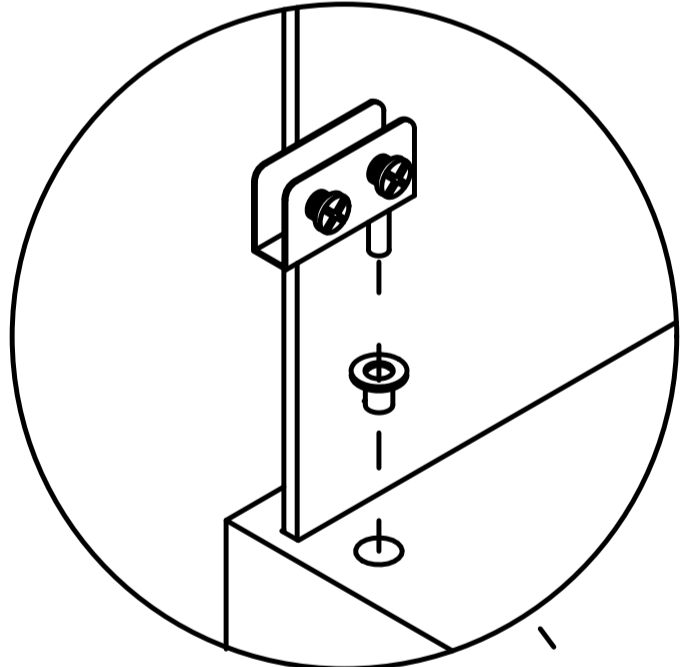
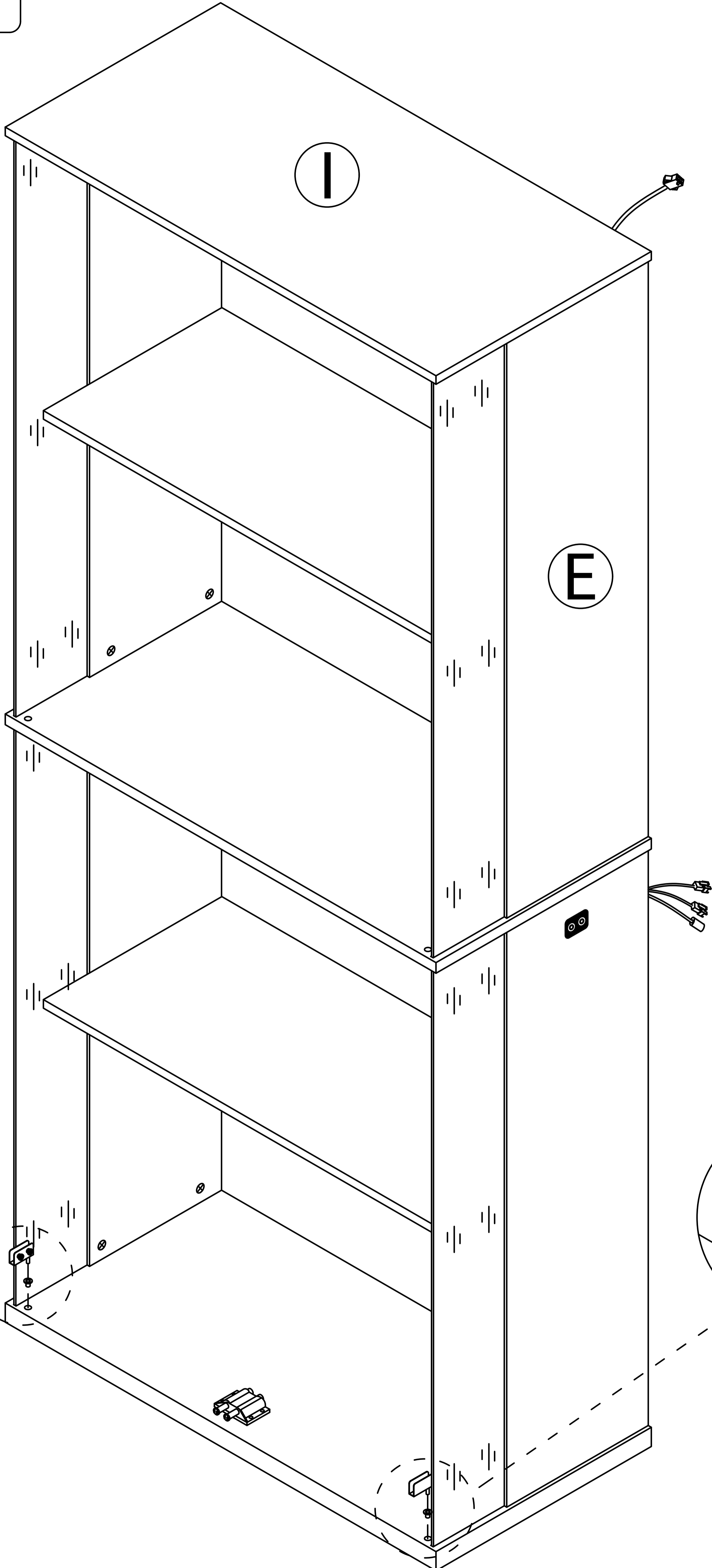


Pay attention to the direction of the door hinge, rotate the screws to compress the black gasket, and do not place it in the opposite direction

Place the black gasket on the side where the screws are installed

Step 27

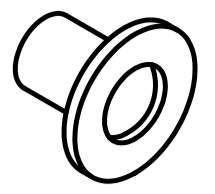
- 8  x1
-  x1
-  x2



Step 28

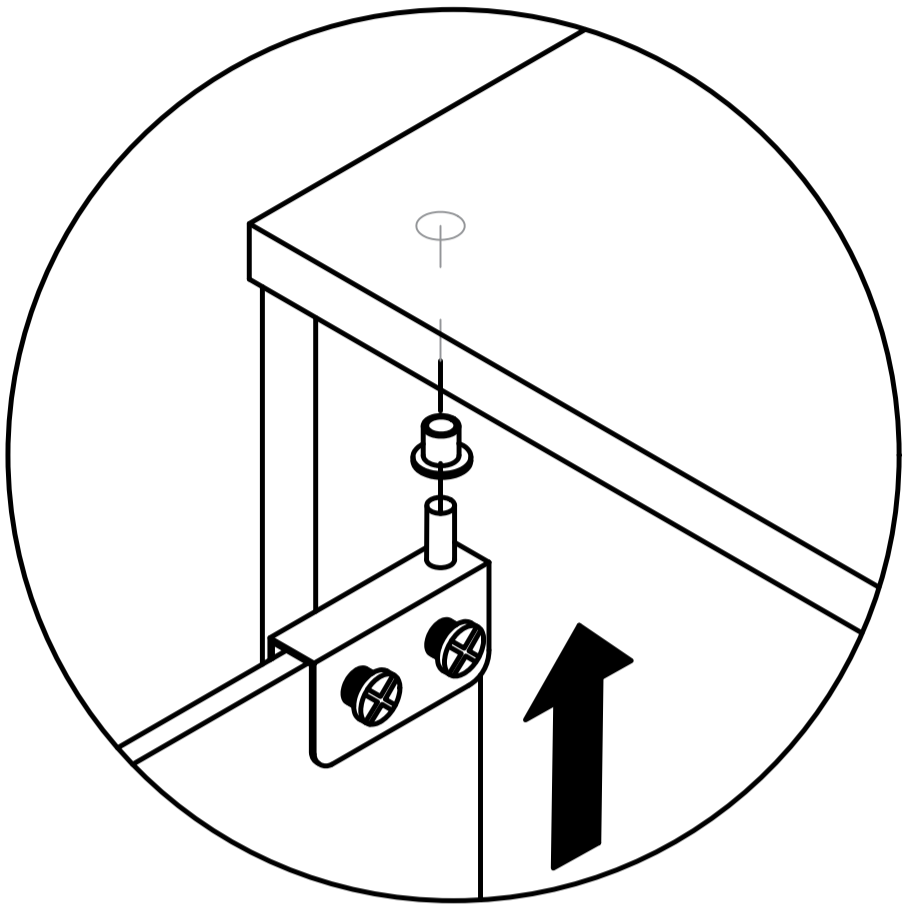
Pay attention to the direction of the door hinge during installation

8

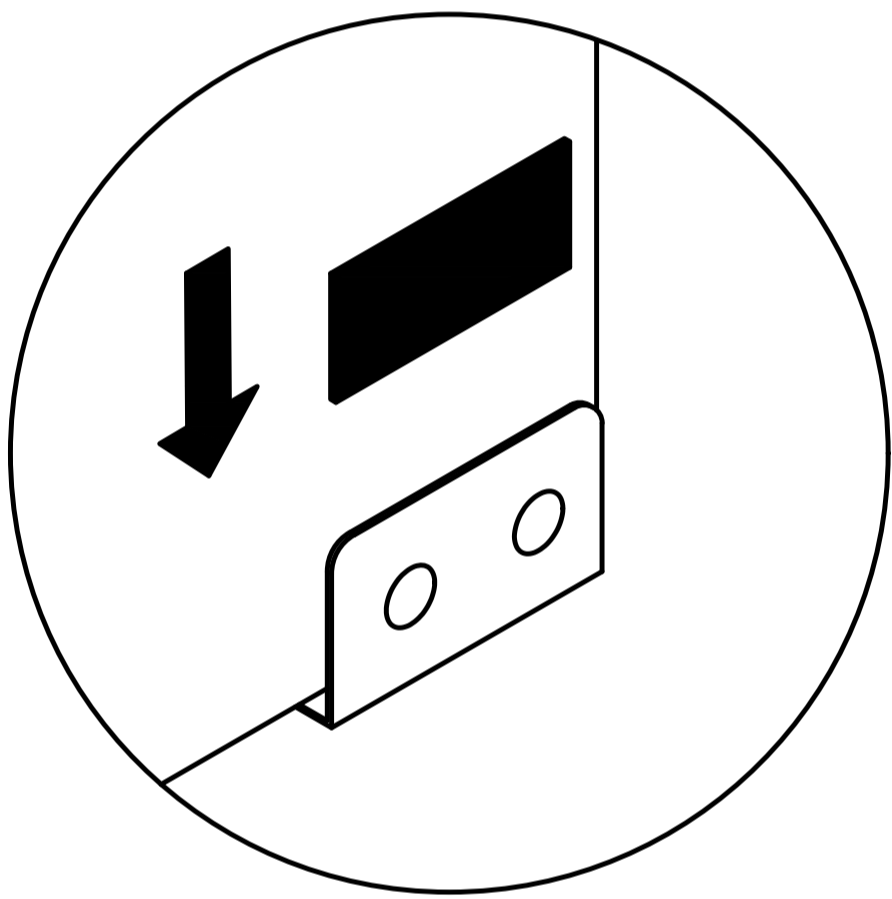


x2

When installing a glass door, it is recommended to have two people install it to avoid the glass door colliding or hitting oneself.

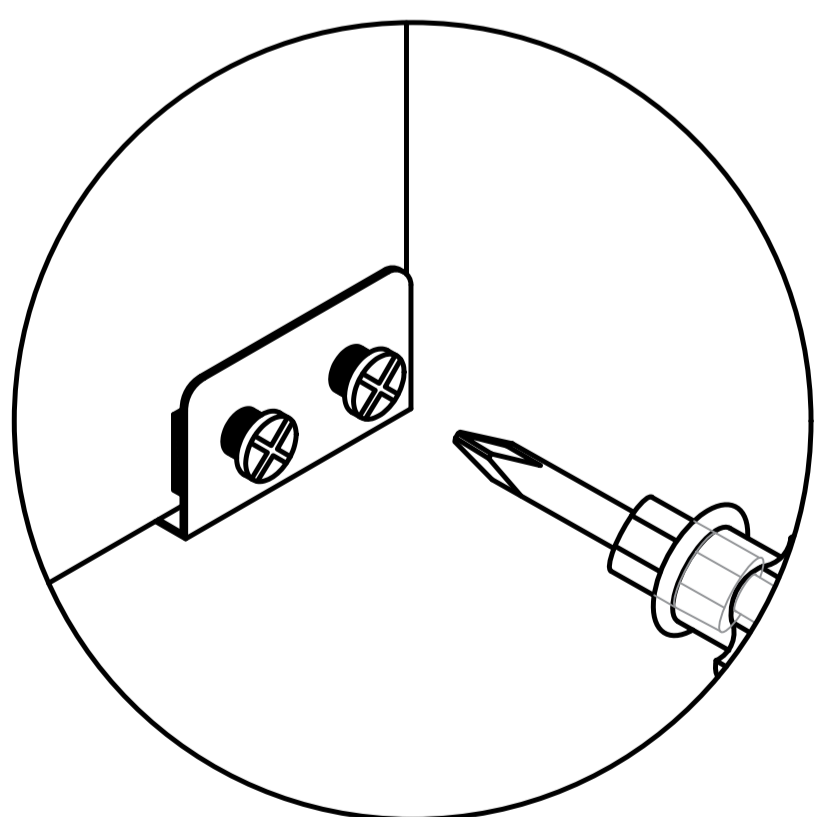


first



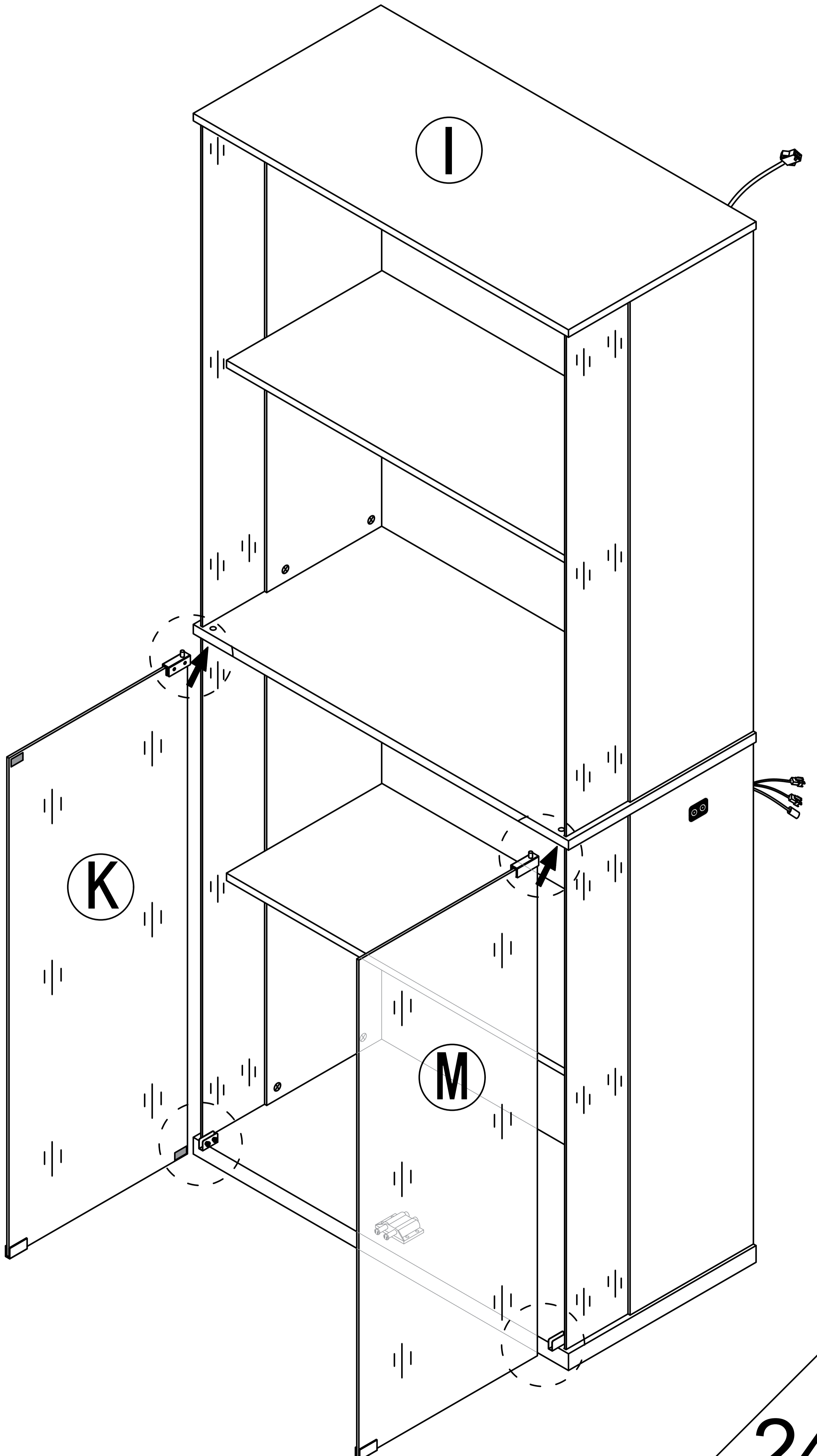
second

After installing the glass door, place the black gasket on the side where the screws are installed

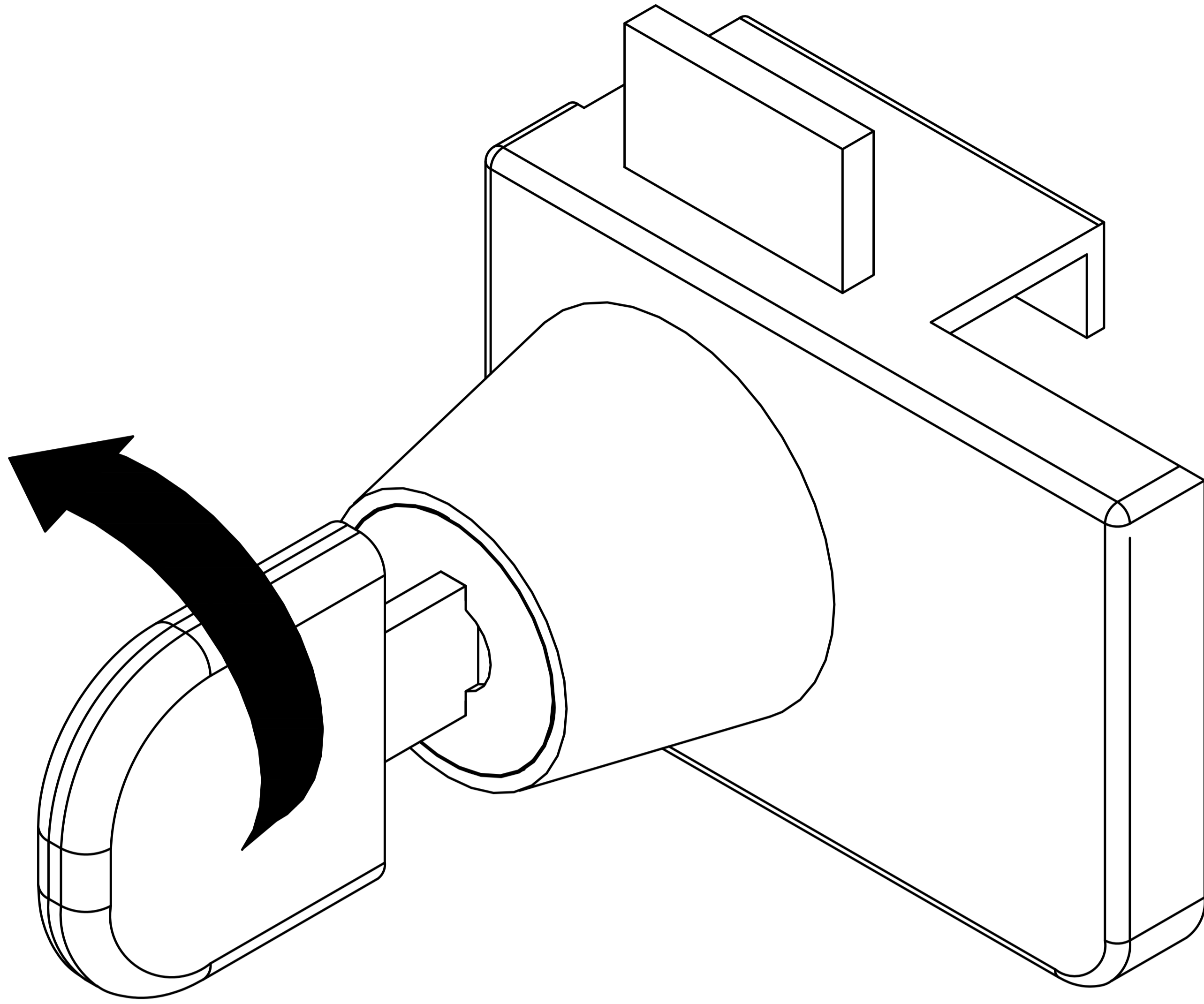


third

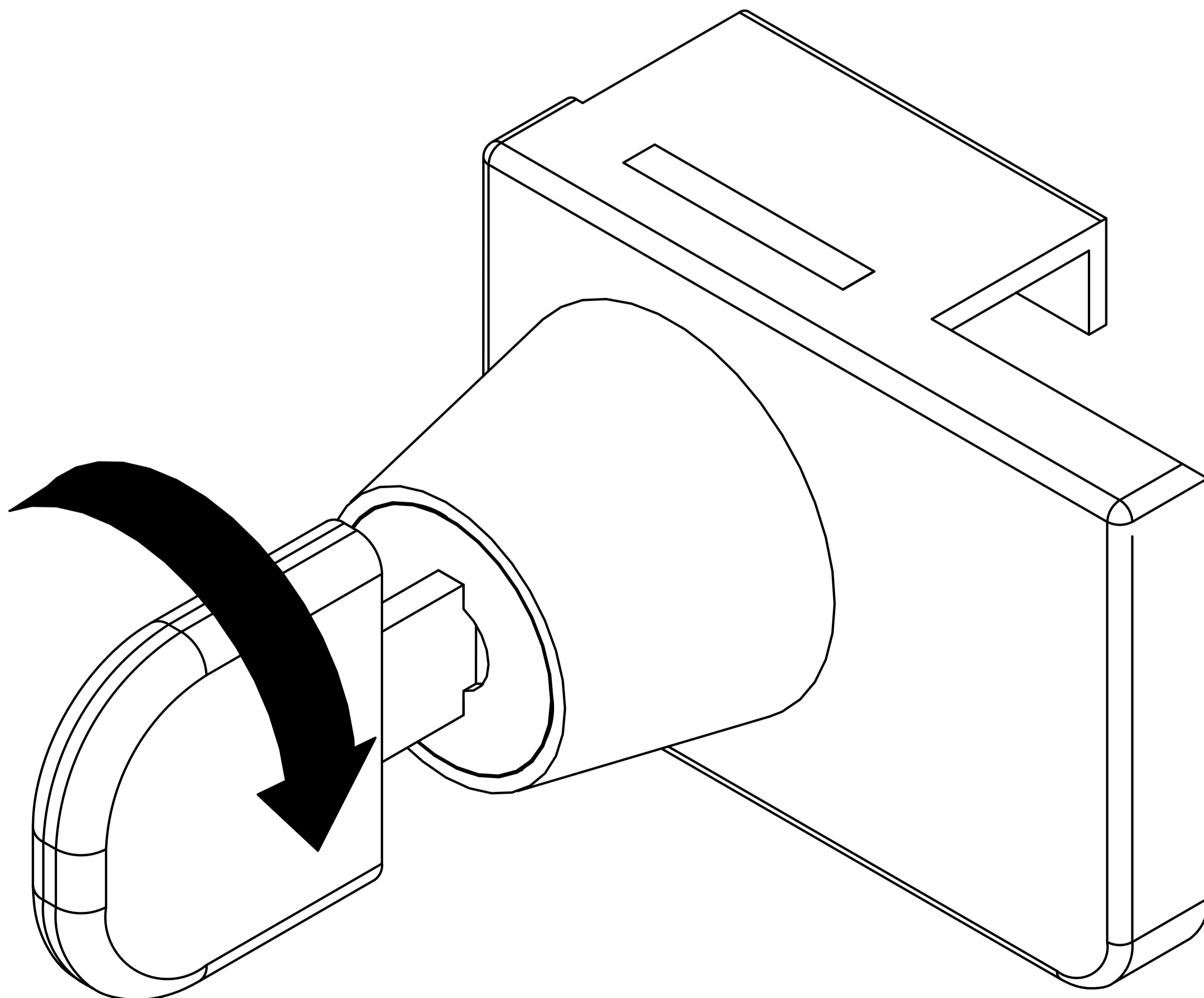
Locking screw



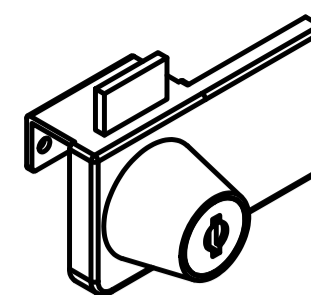
Tip: Turning the door lock to the right will close it



Tip: Turning the door lock to the left opens it



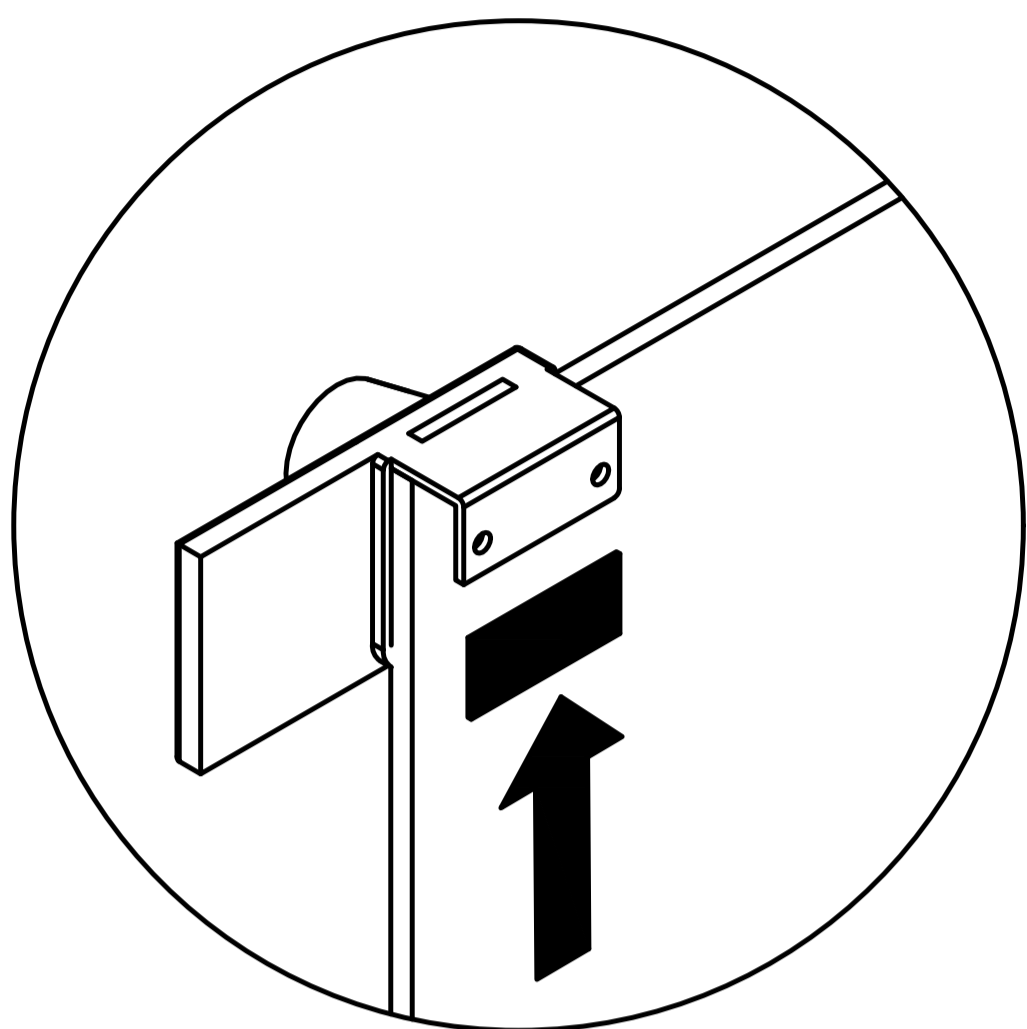
10



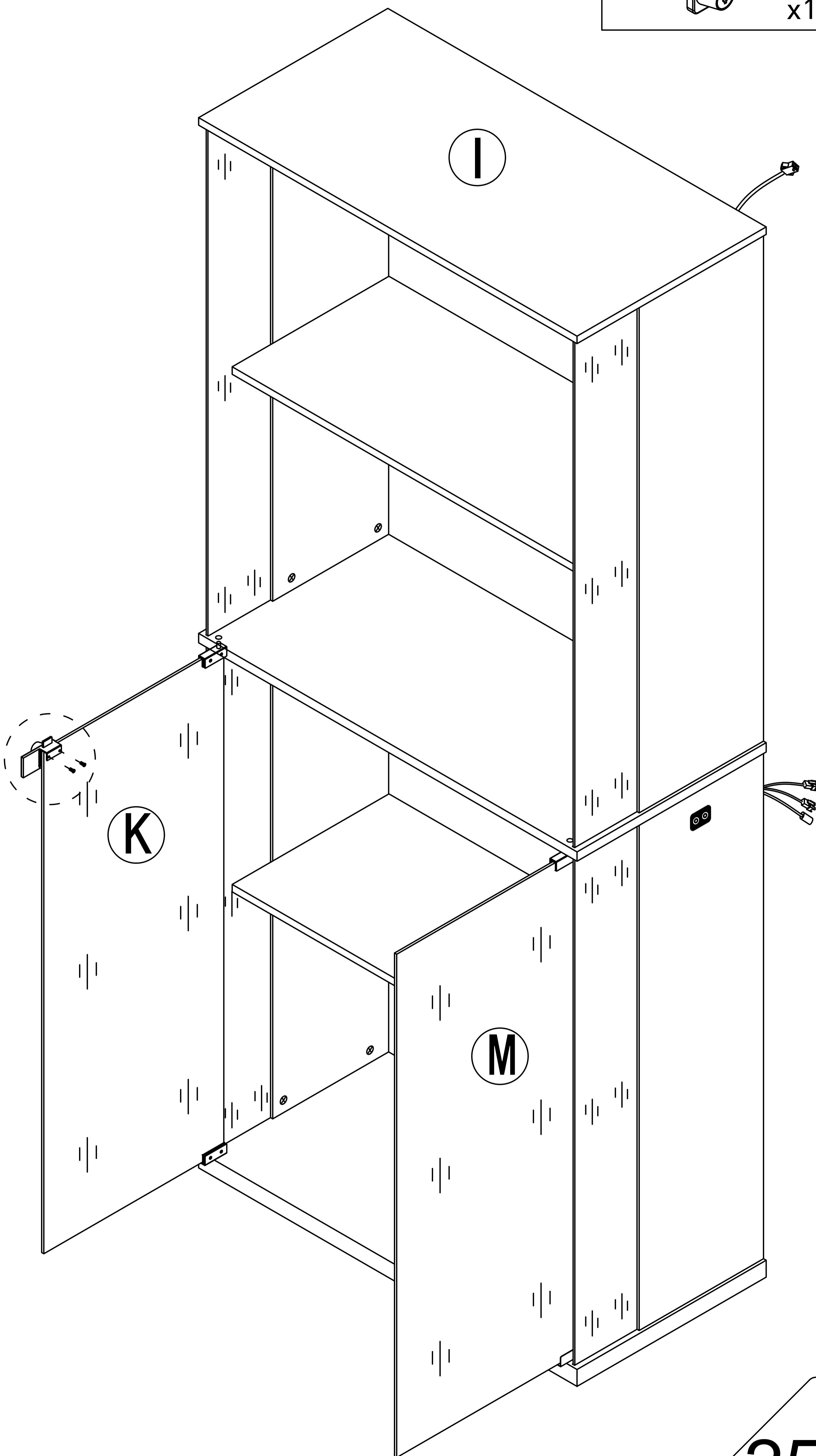
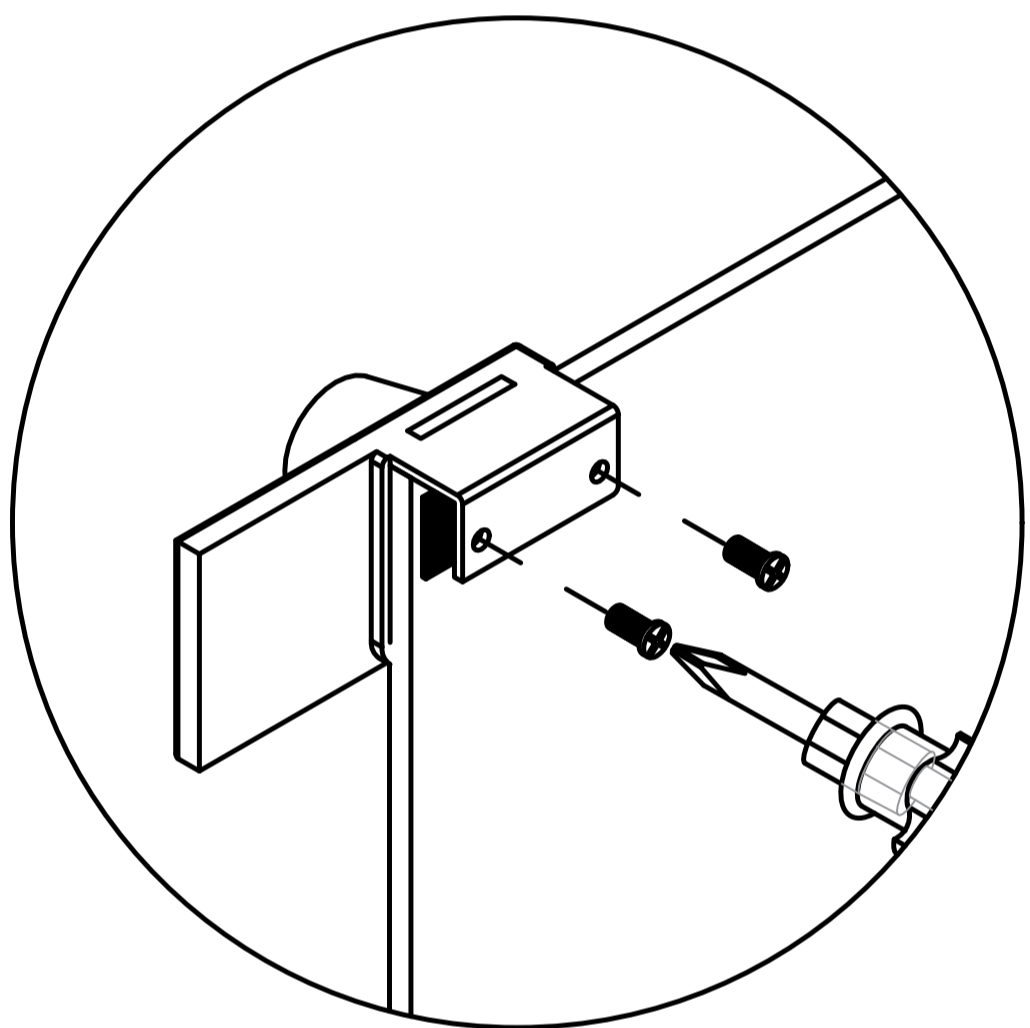
x1

Step 29

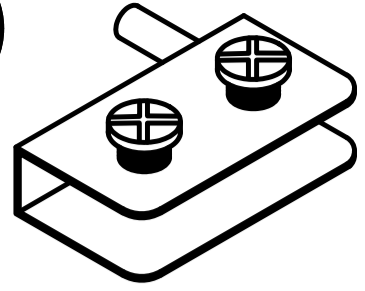
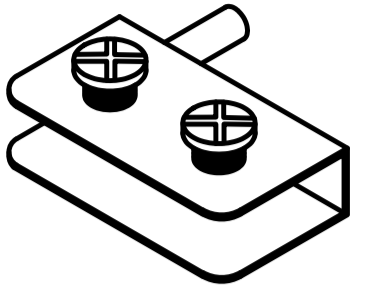

first

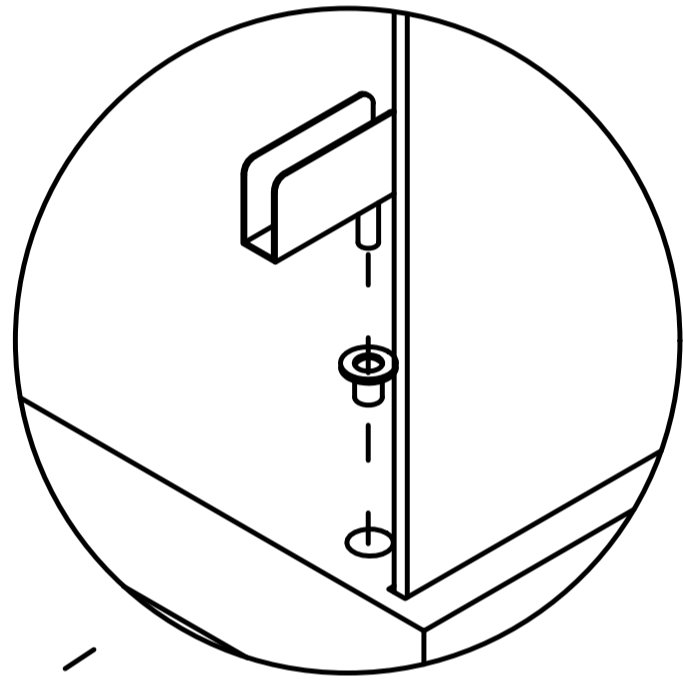
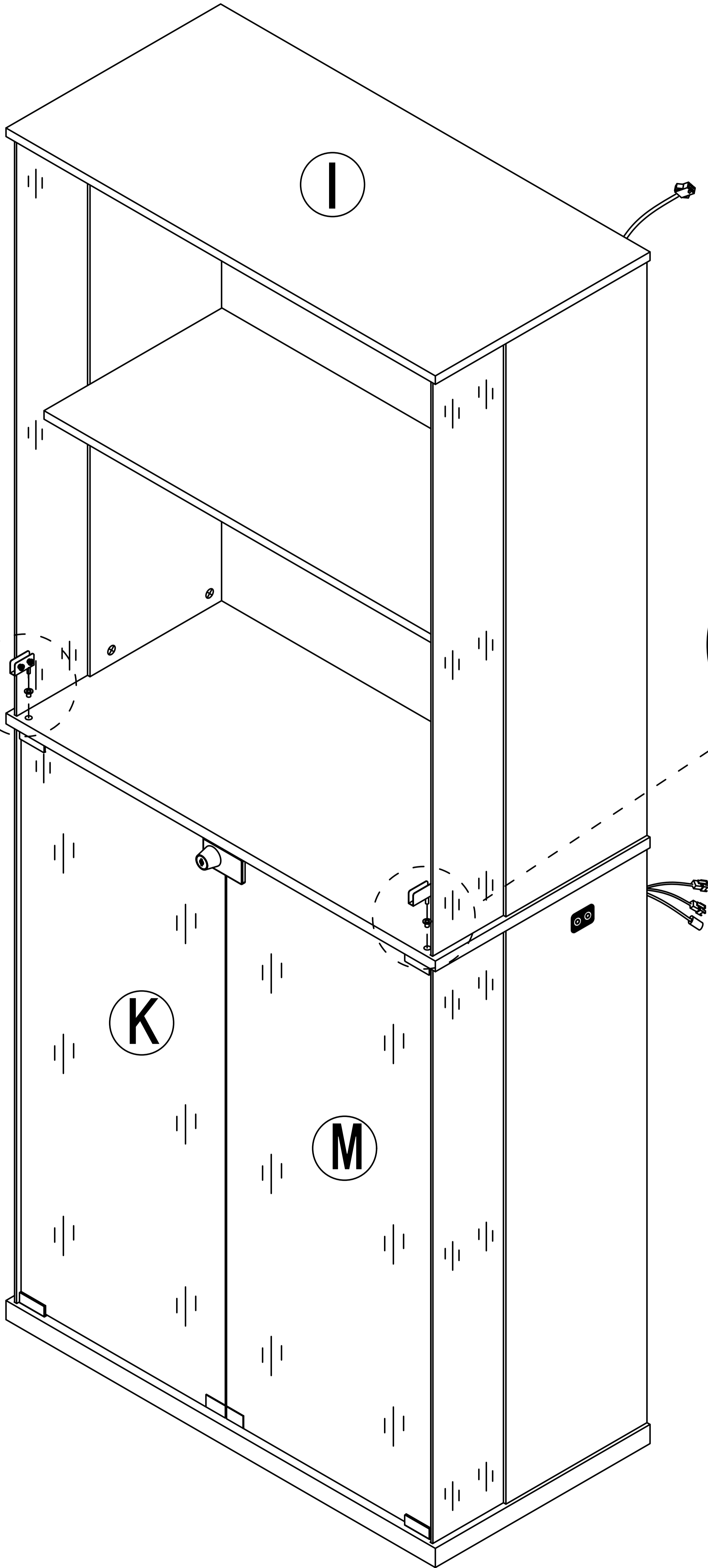
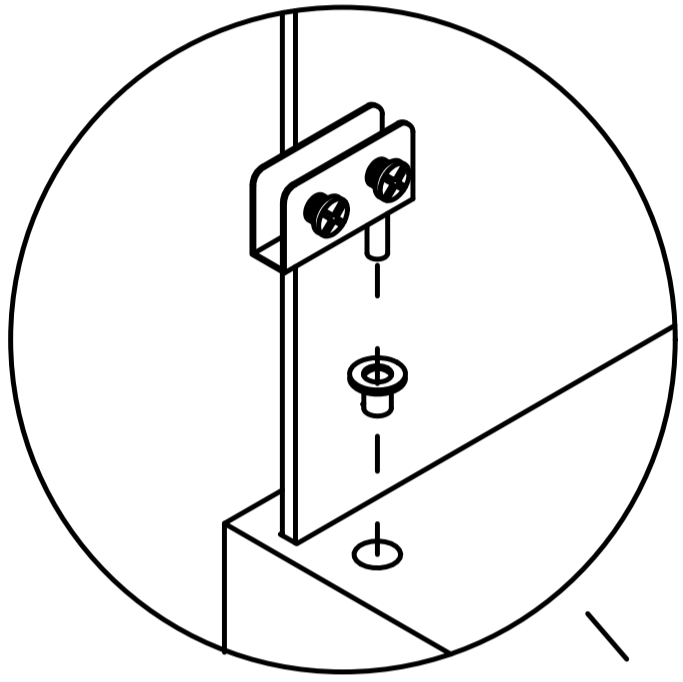


second



Step 30

- 8  x1
-  x1
-  x2



Step 31

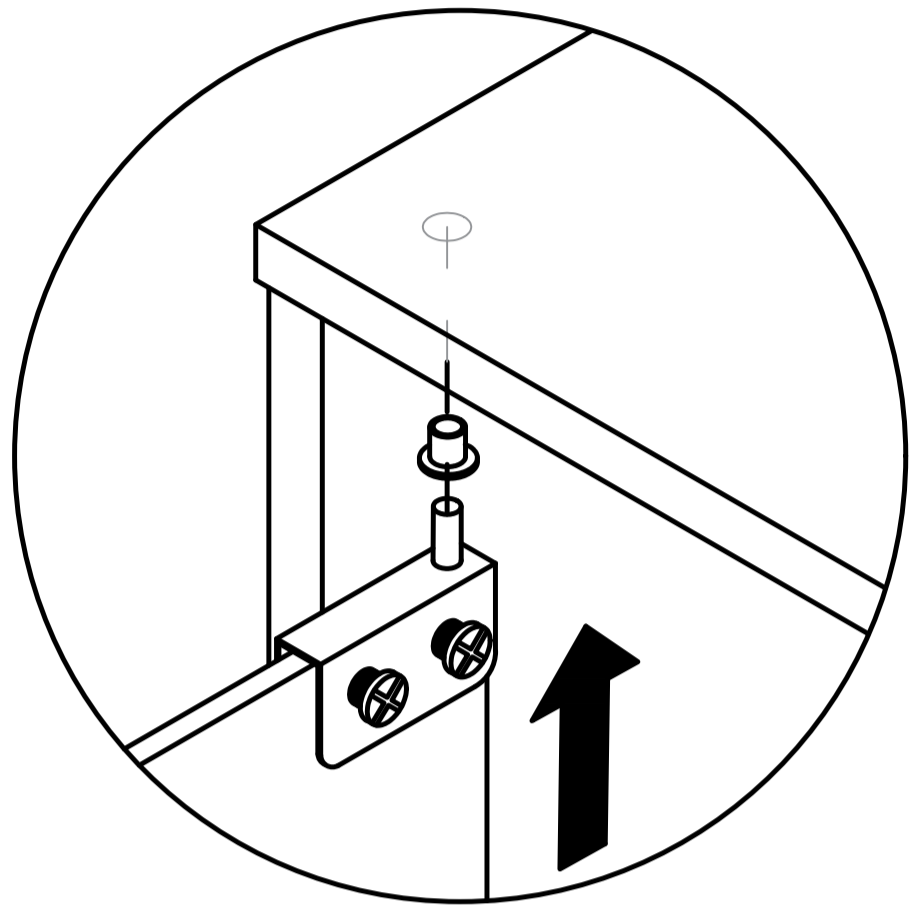
Pay attention to the direction of the door hinge during installation

8

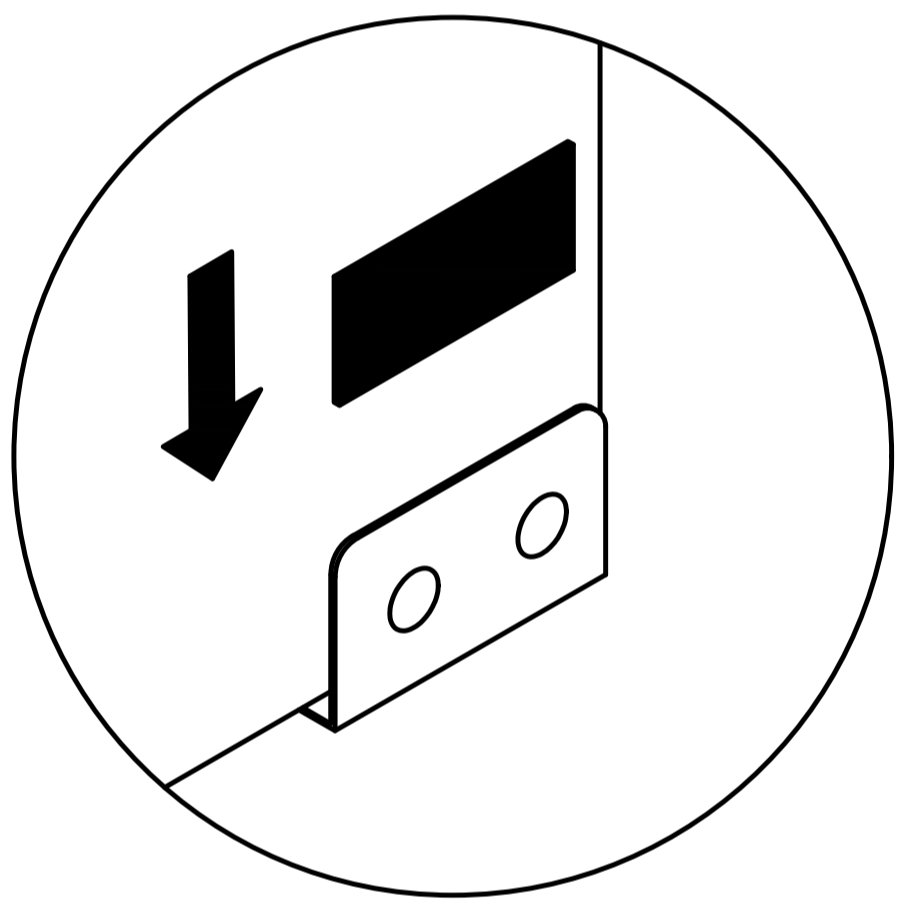


x2

When installing a glass door, it is recommended to have two people install it to avoid the glass door colliding or hitting oneself.

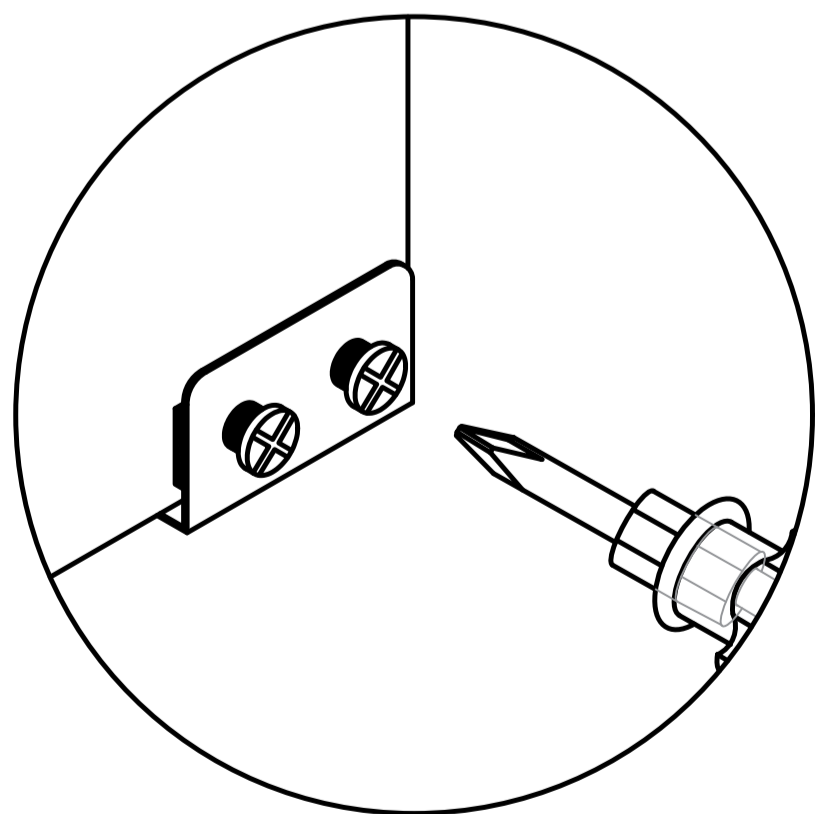


first



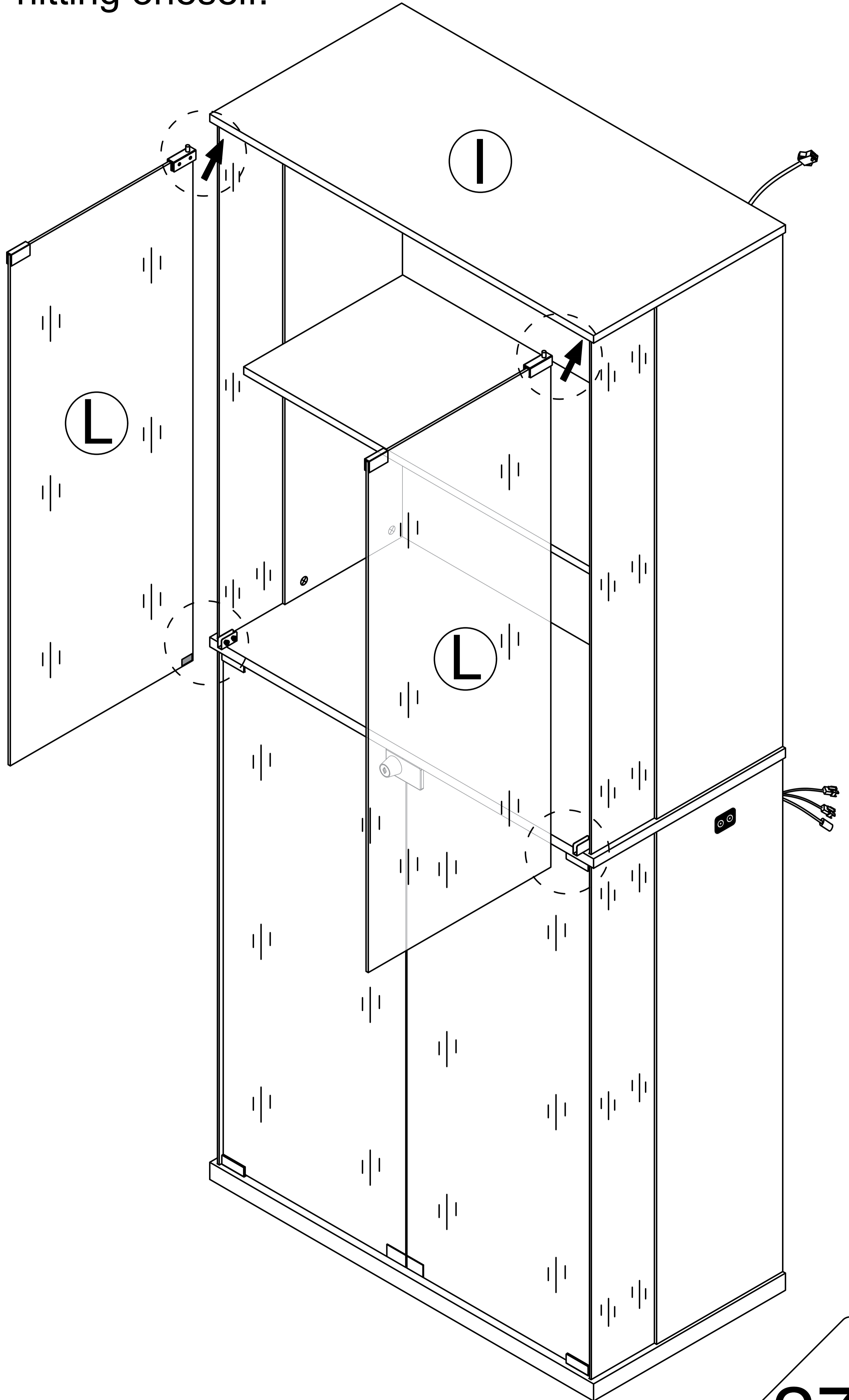
second

After installing the glass door, place the black gasket on the side where the screws are installed

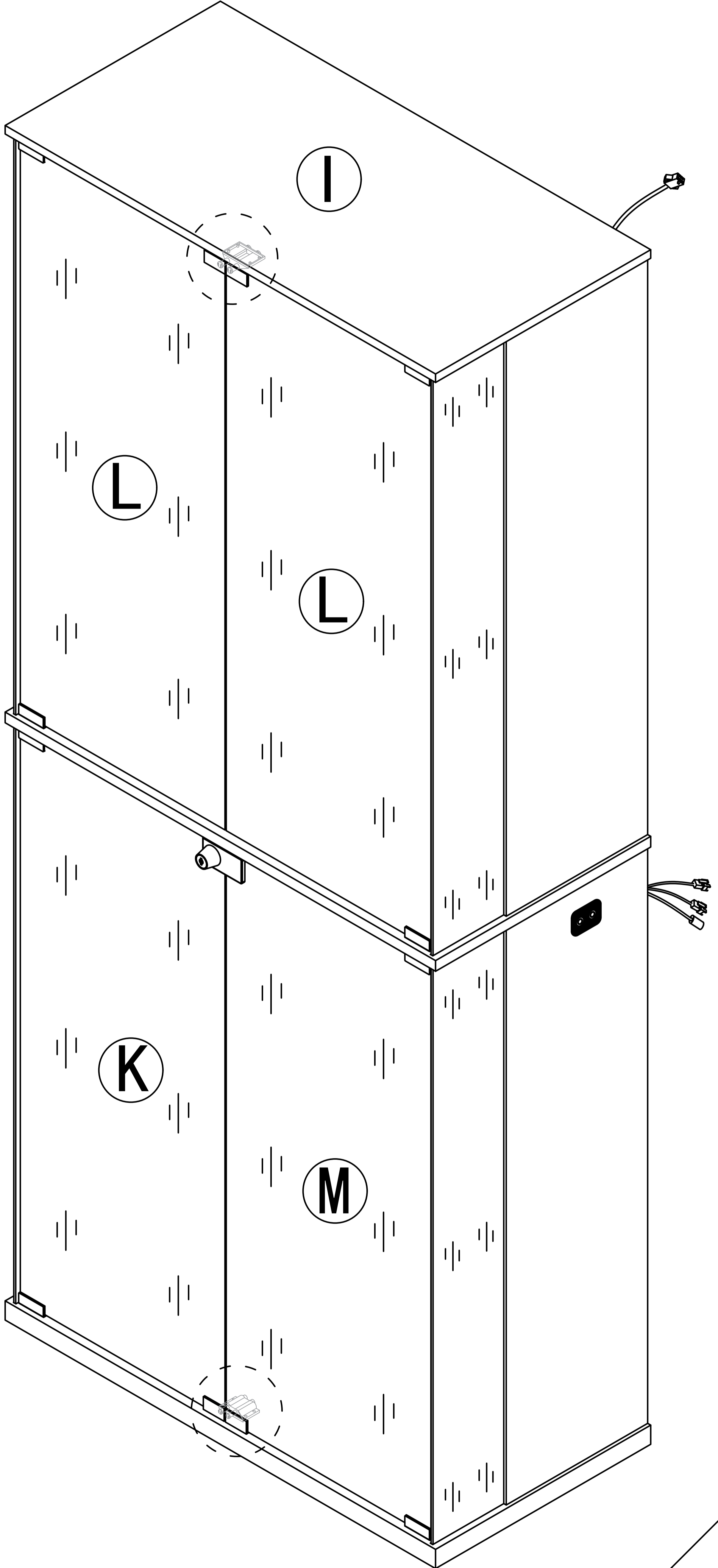


third

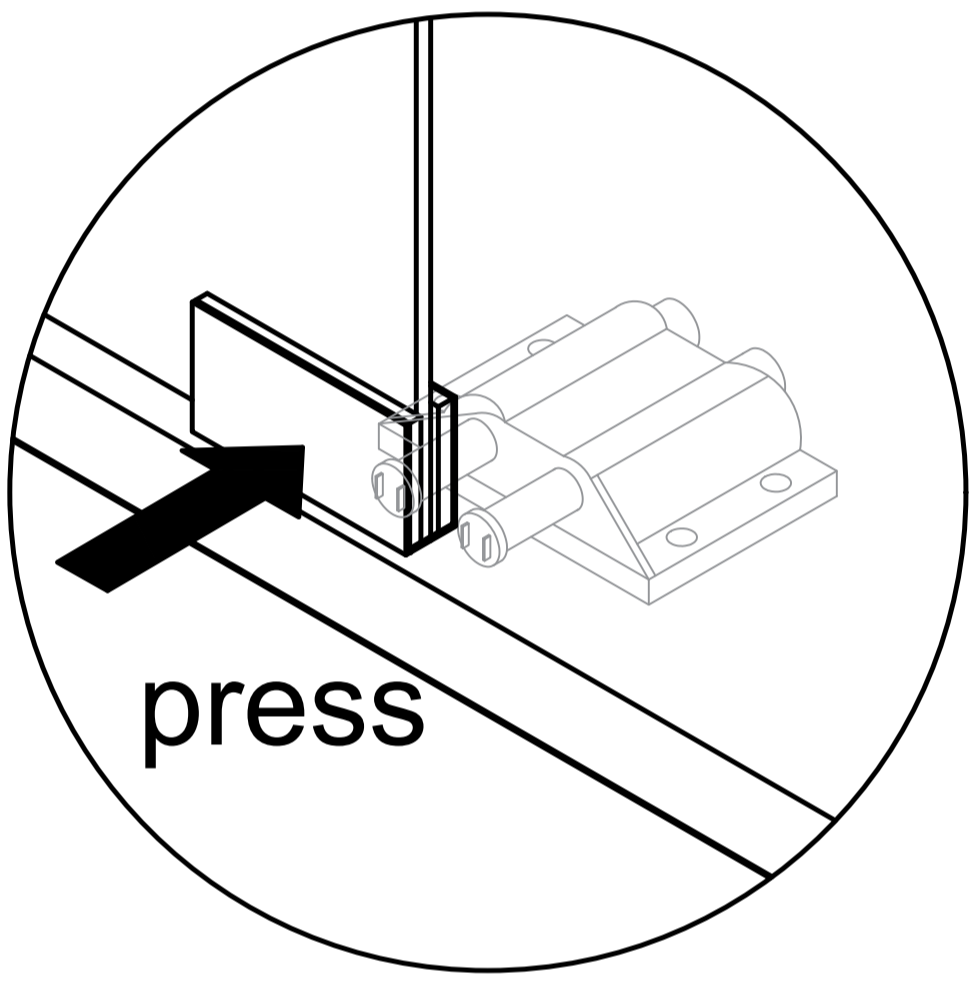
Locking screw



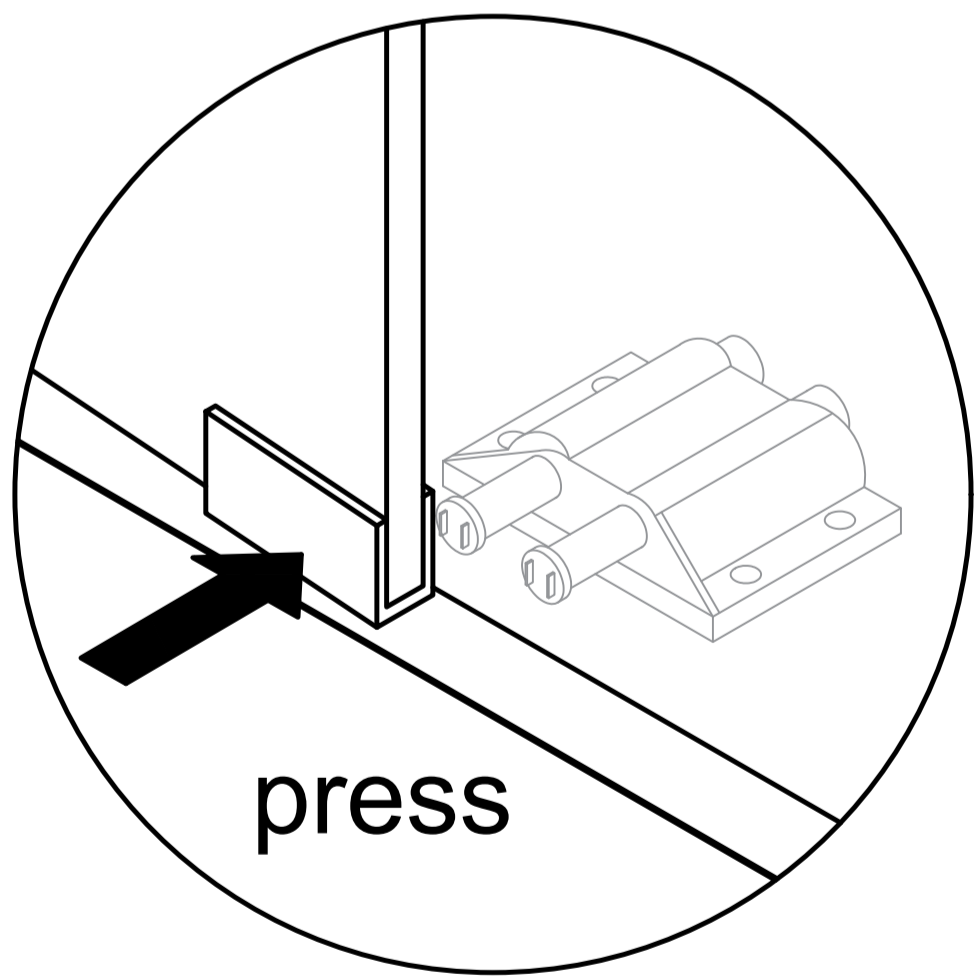
Step 32



Open the glass door

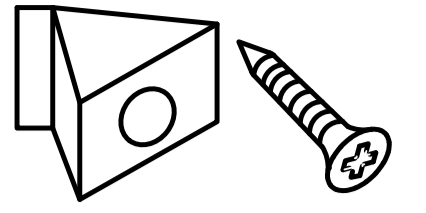


Close the glass door

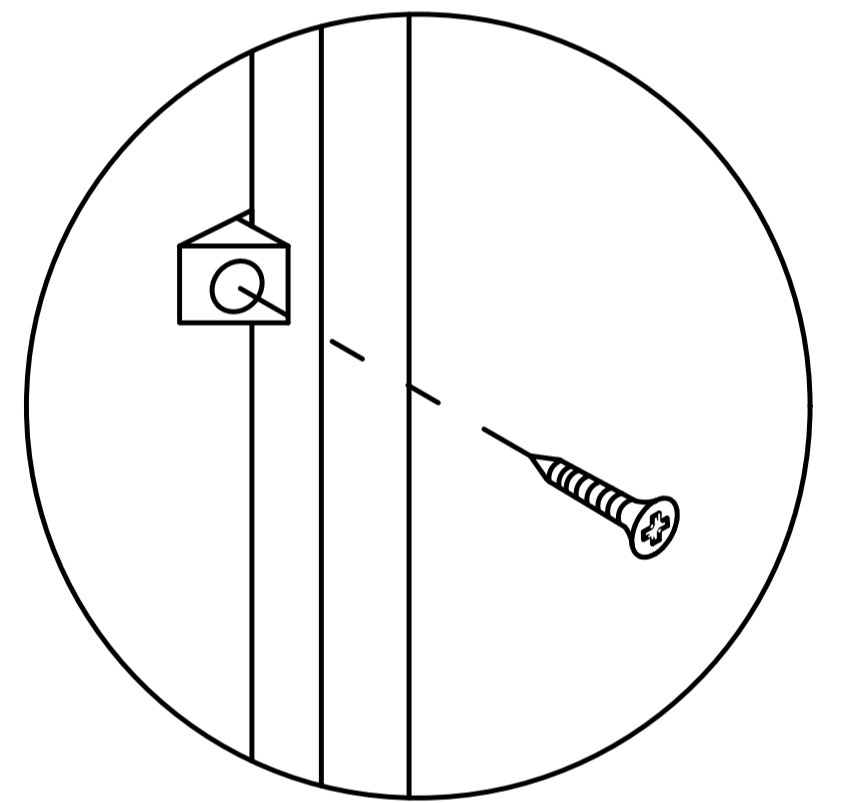
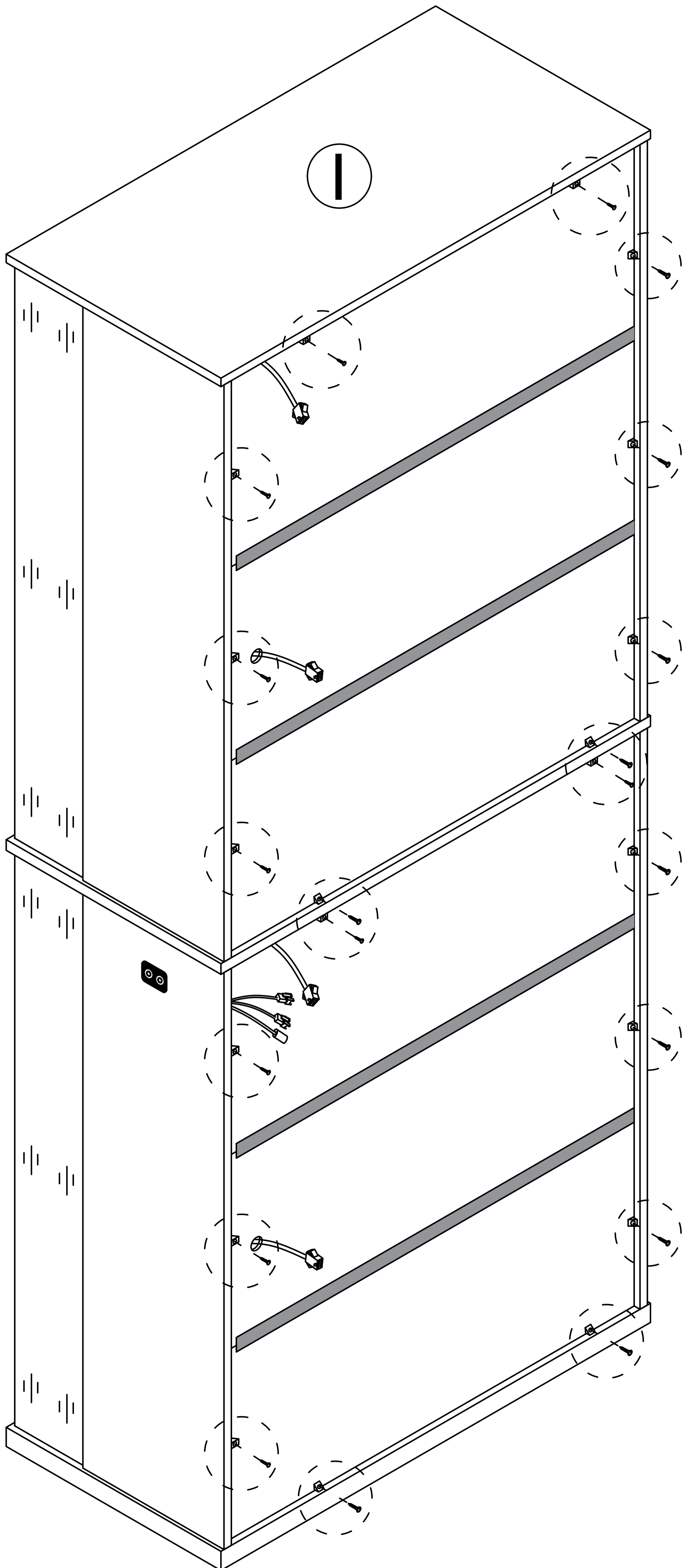


Step 33

5

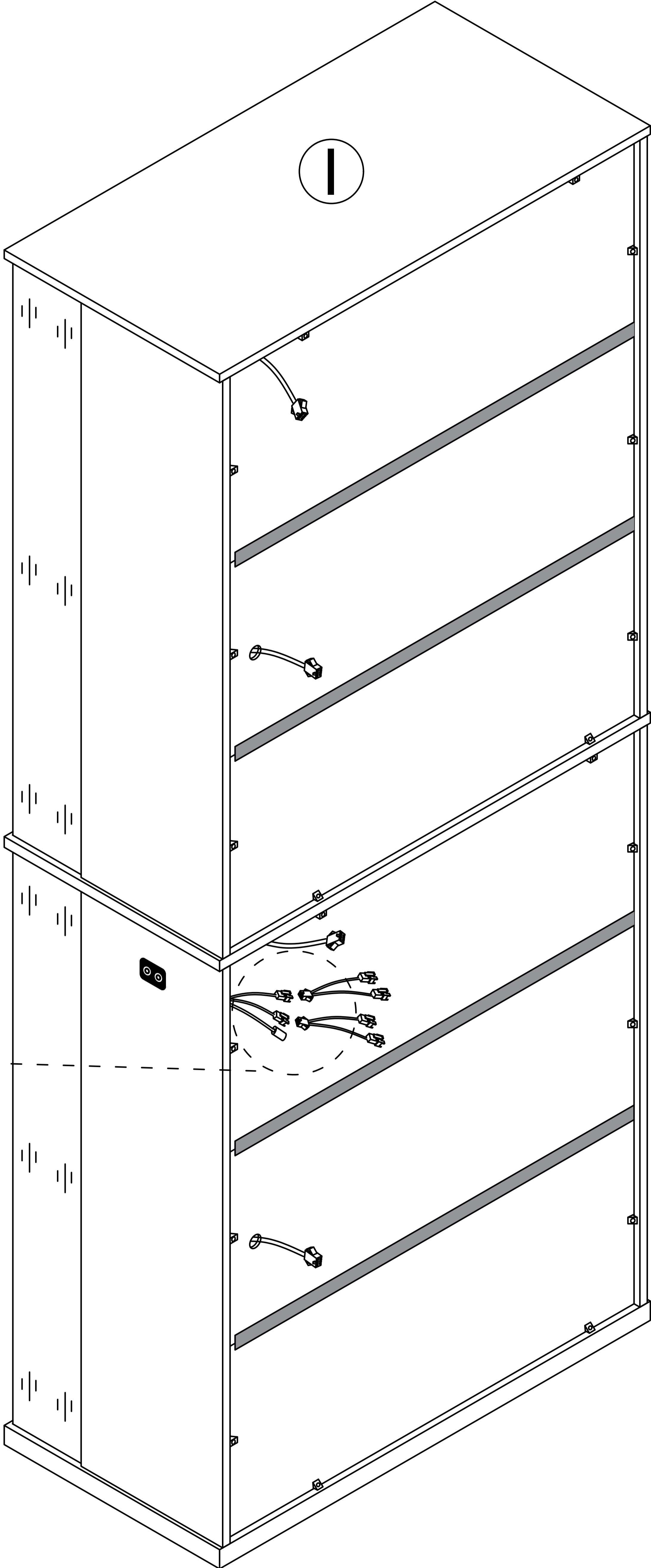
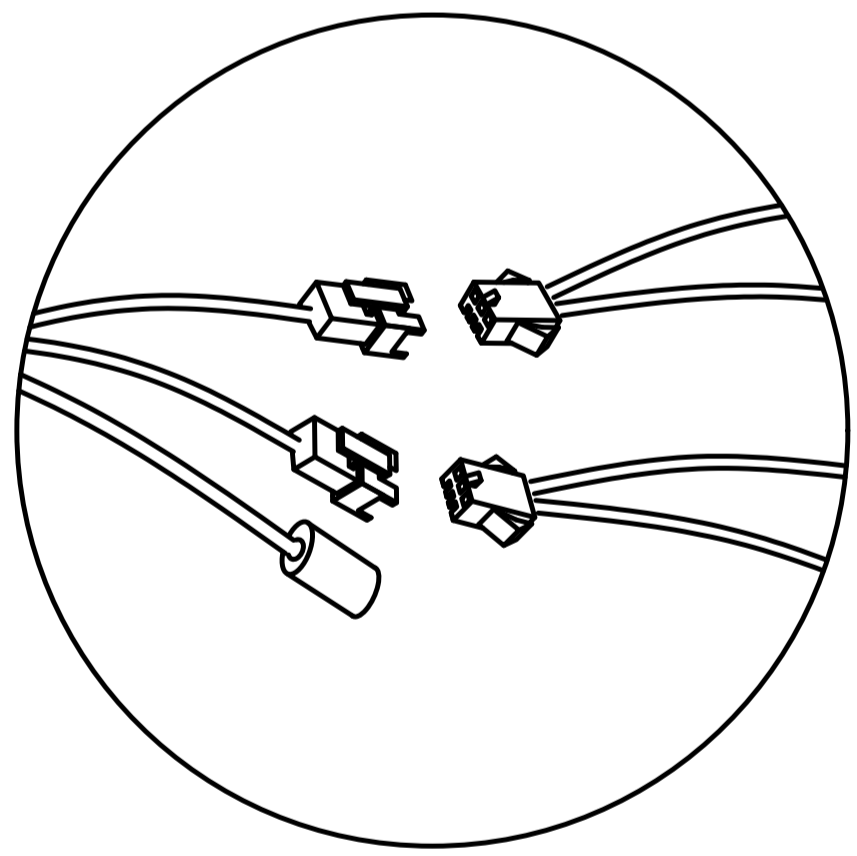
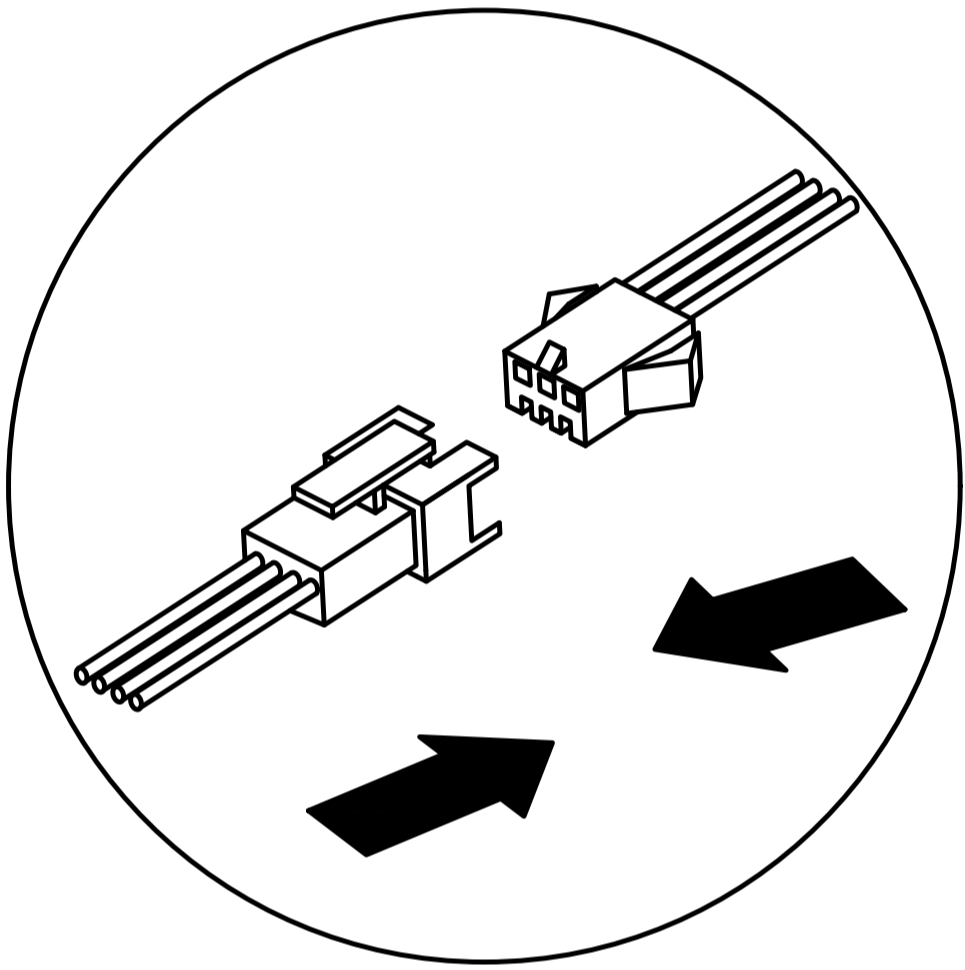


x20

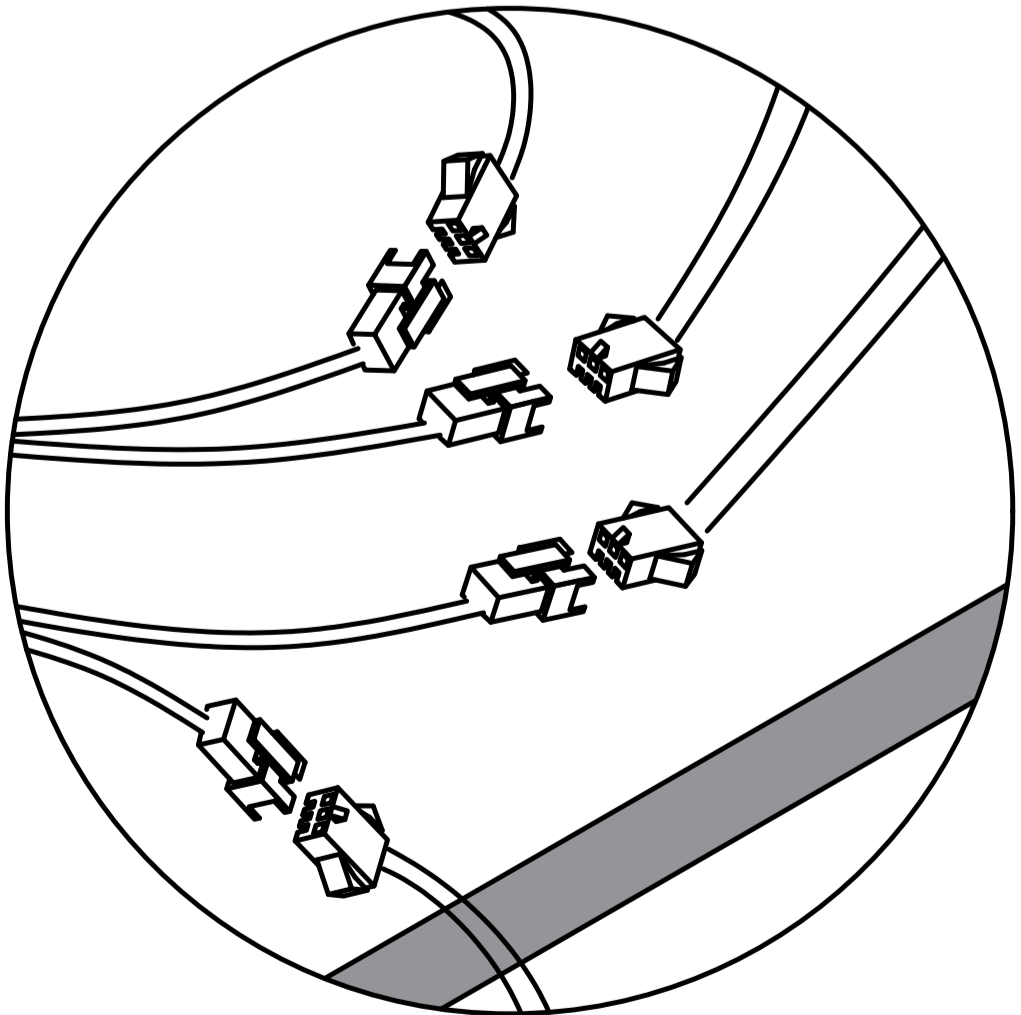
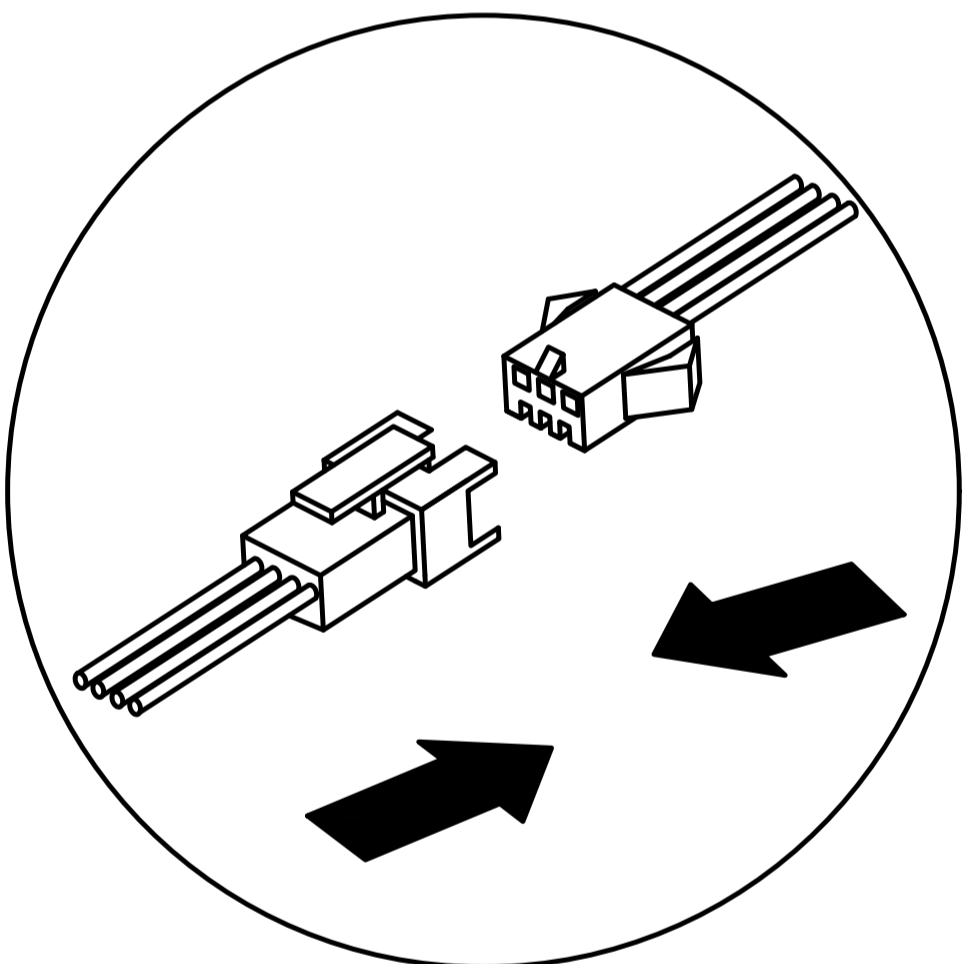
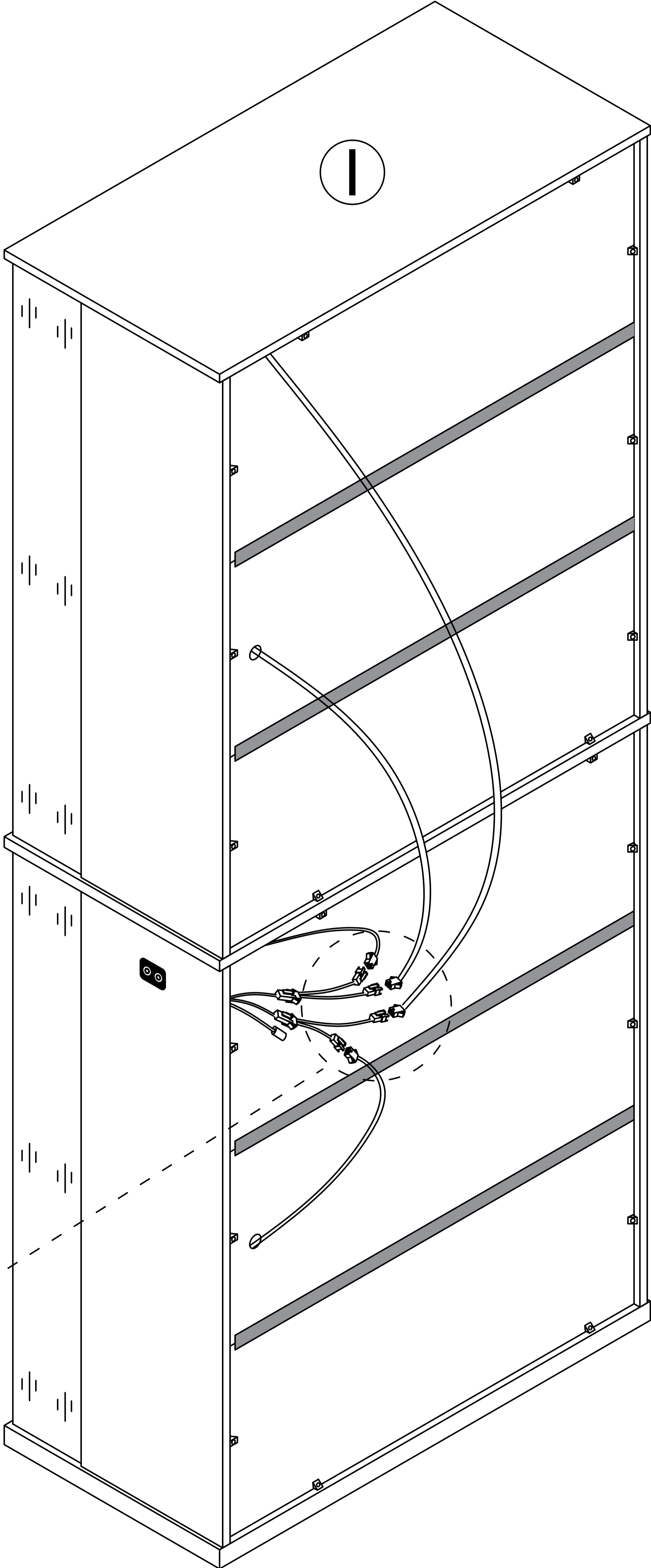


Step 34

7 x2

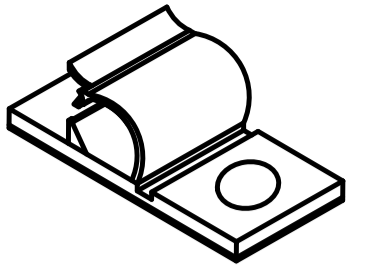


Step 35

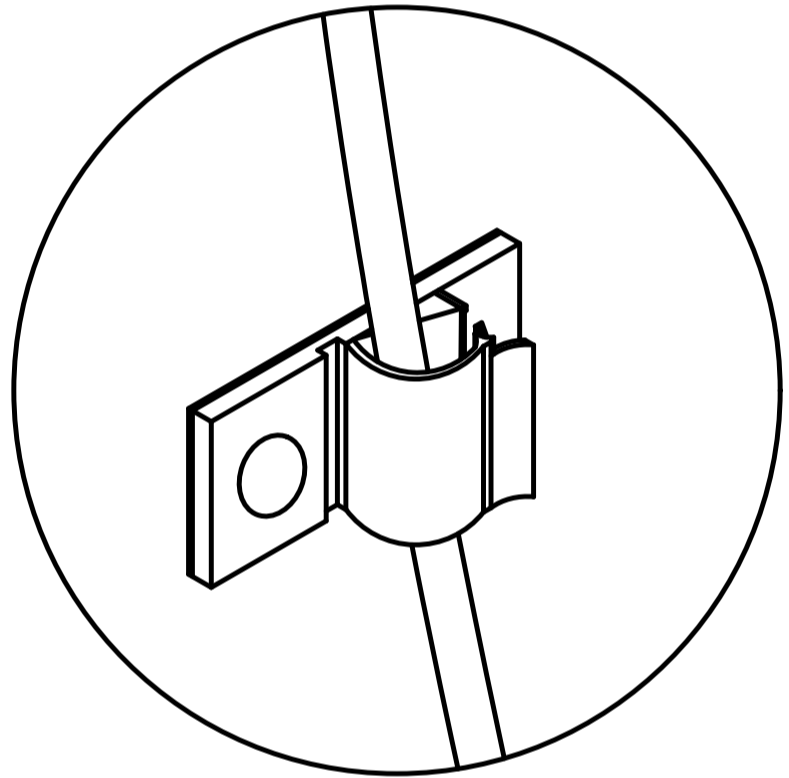
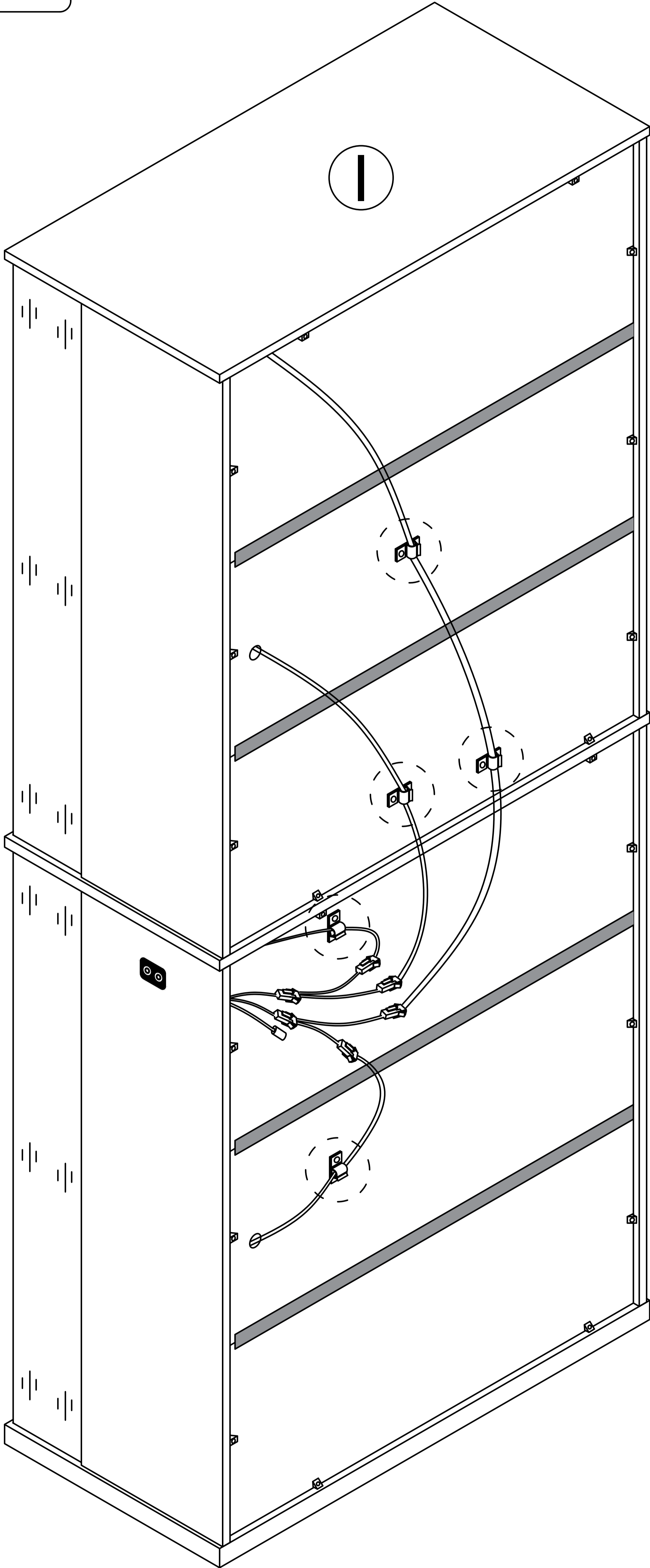


Step 36

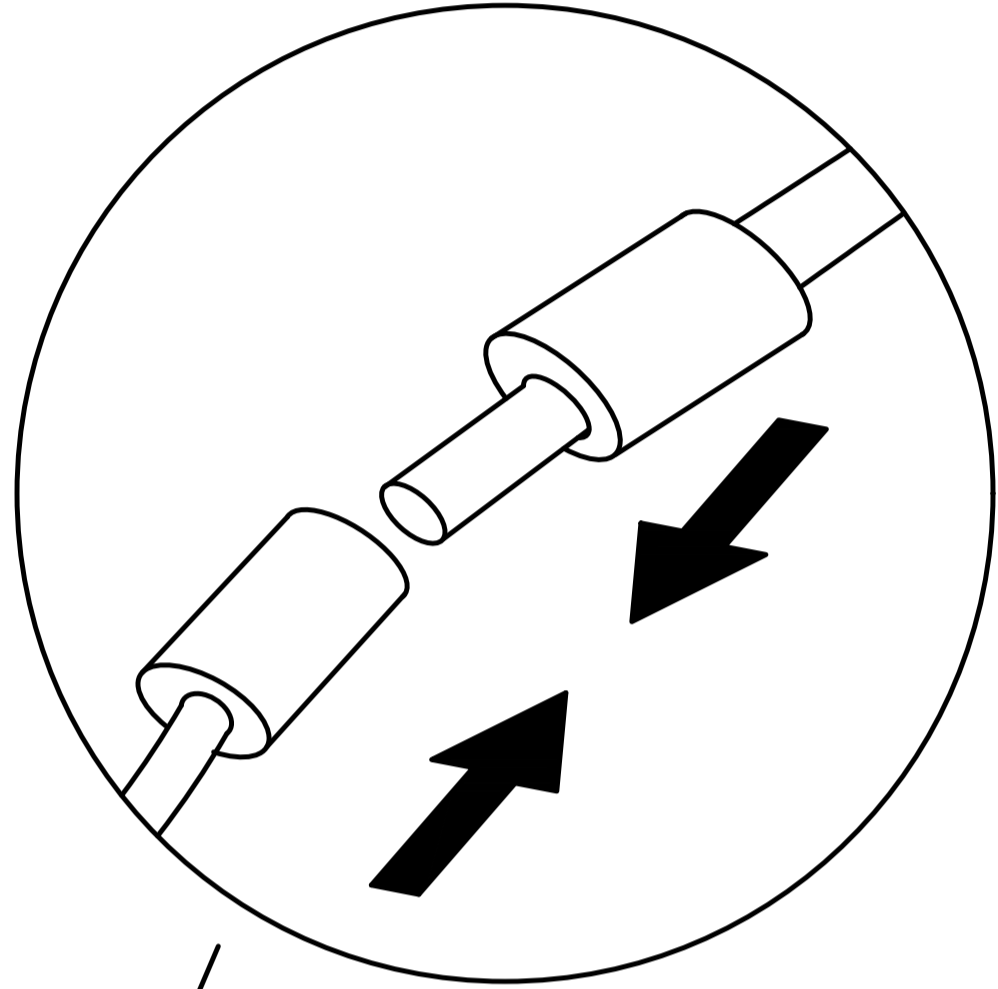
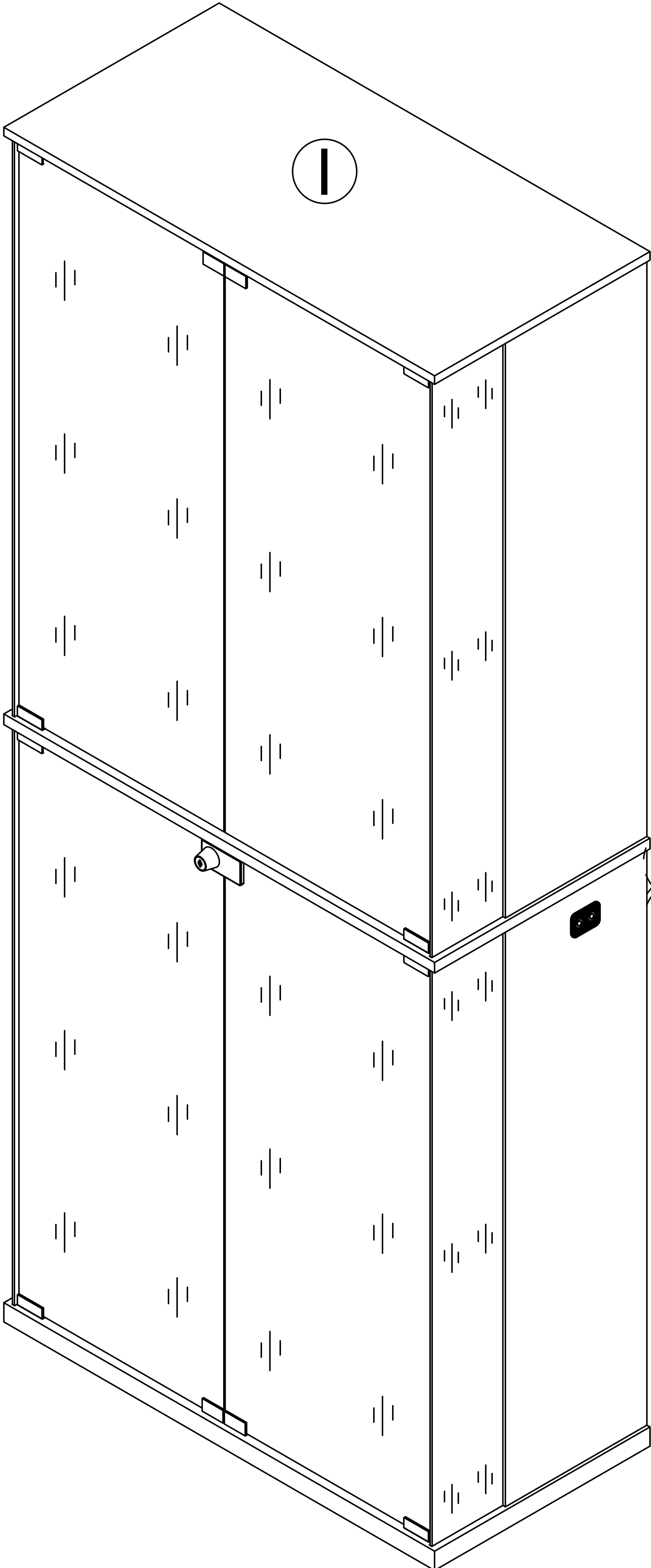
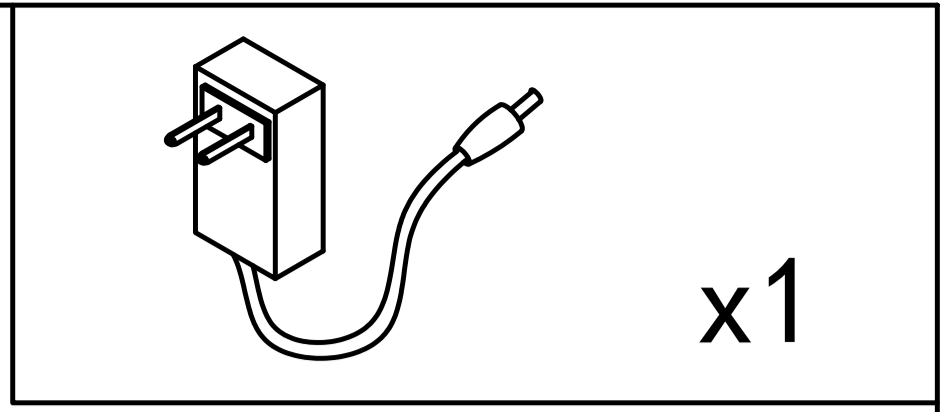
6



x5

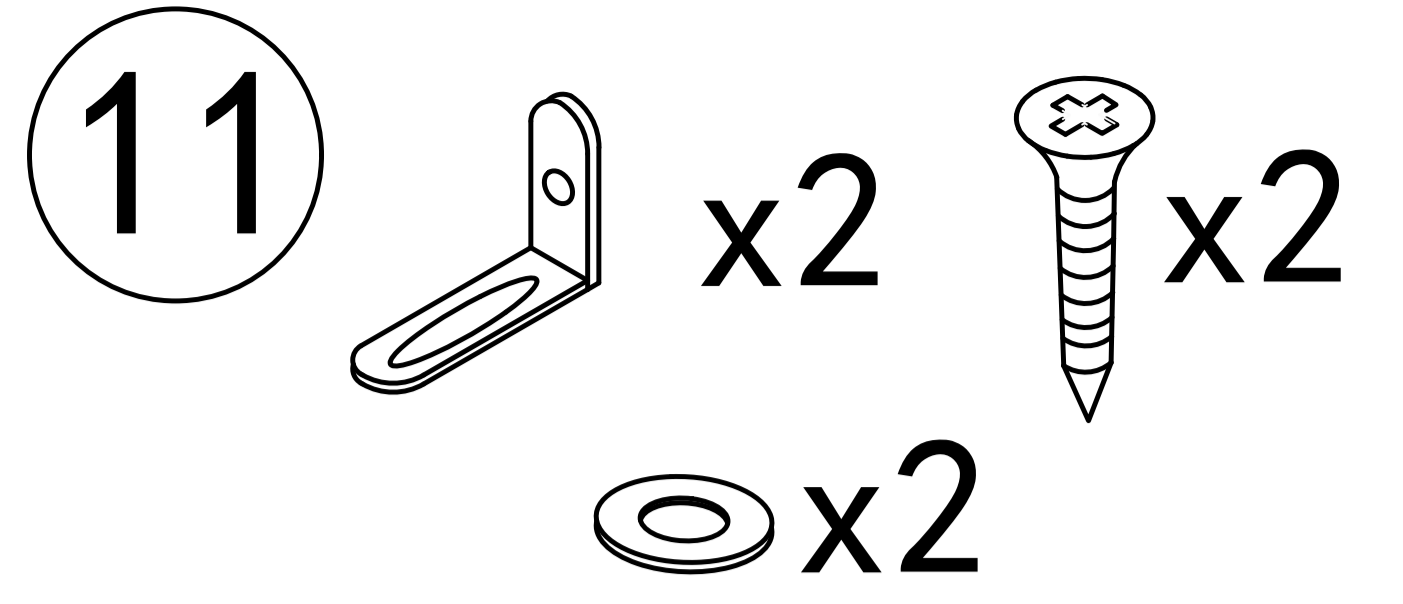


Step 37

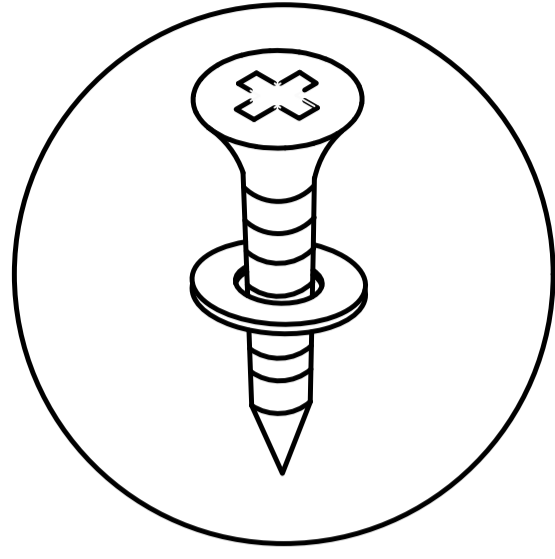


Step 38

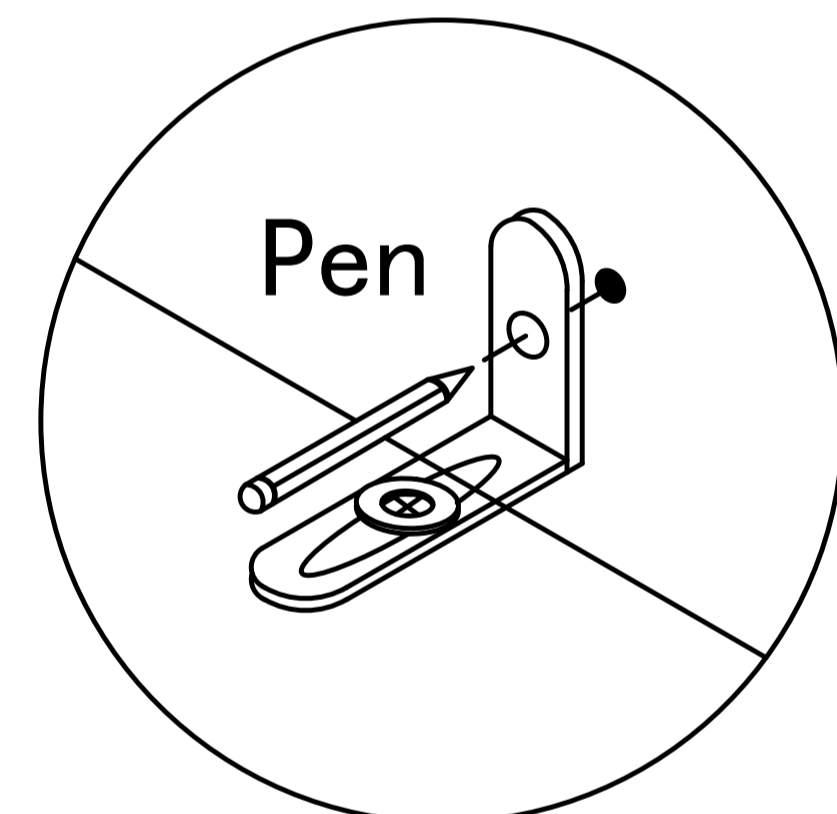
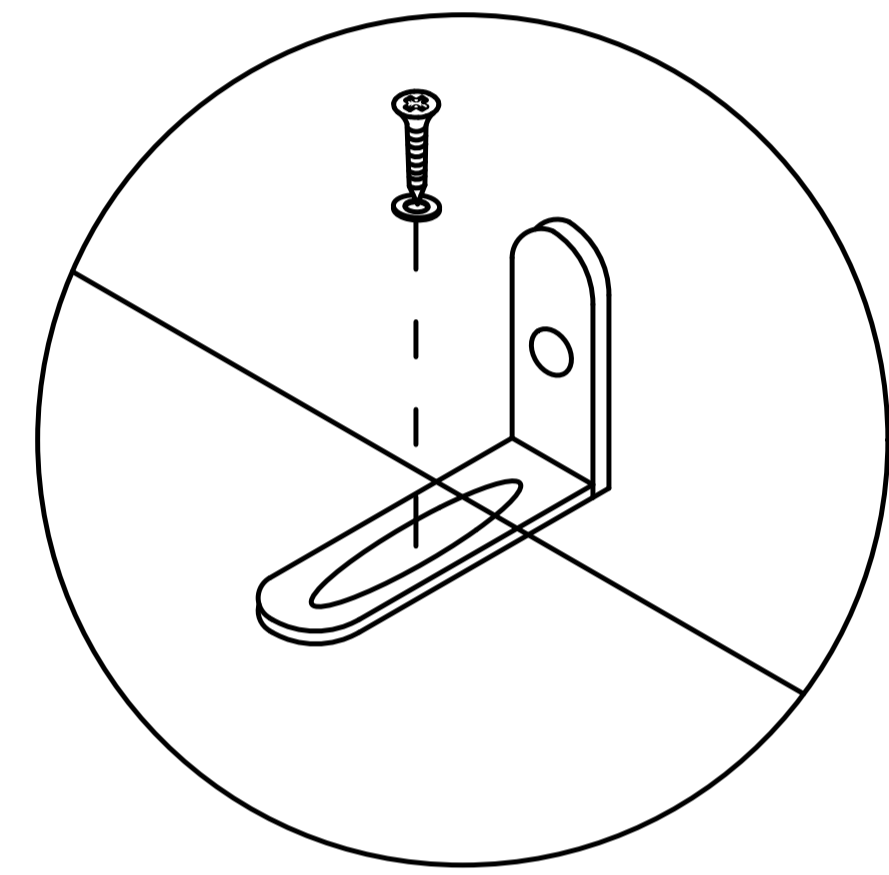
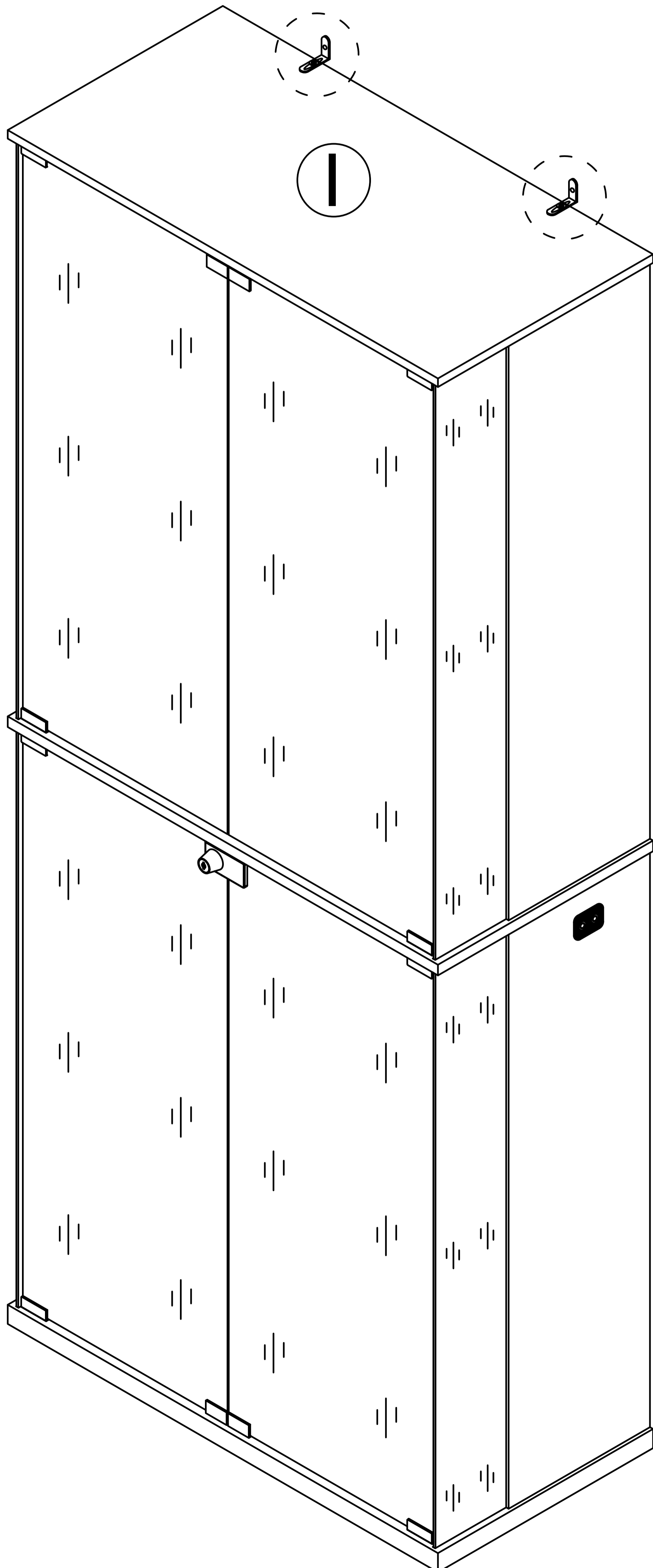
Install as required



3.5x14mm



Install the anti fall hardware on the cabinet as shown in the picture first



Then mark the wall with a pen through the holes in the anti-fall hardware

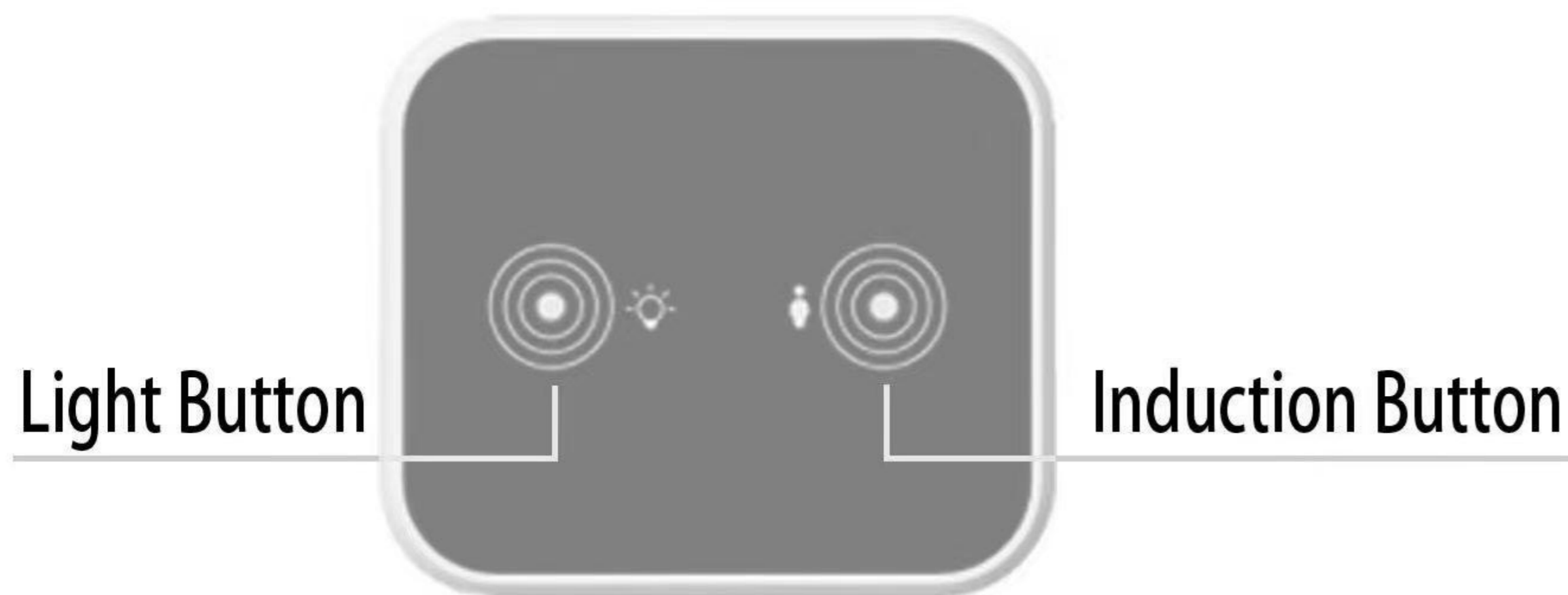
User's Guide

Thank you for purchasing this product. To use this product, please plug it into a 12V DC power supply. Please use if the product works normally after connecting to power.

Introduction

The box is an intelligent controller with 2 touch buttons. It can turn ON/OFF the light, change light colors, and adjust the light luminance.

Product Show



ATTENTION PLEASE

1. If there is no touch response suddenly, Re-plug the power to reset the touch static electricity.
2. If bubbles appear on the panel, remove the protective film.

Operation



This touch button is used to turn on/off, change colors, and adjust brightness.

A. Short touch -> lighting on -> short touch -> change light color -> short touch -> change light color -> short touch -> lighting off. B. Long touch -> adjust the luminance



This touch button is used to turn on/off the induction function.

A. Short touch to turn on the induction function. It can auto-turn on the light when people are close to the controller in 1 meters. It can auto power off the light when the body is far away from the controller after 30 seconds.

B. Long touch to turn off the induction function.

C. Note: When you touch the light button to change the light modes, the induction function will automatically turn off. It is best to turn on this function after selecting the light color and adjusting the brightness you want.