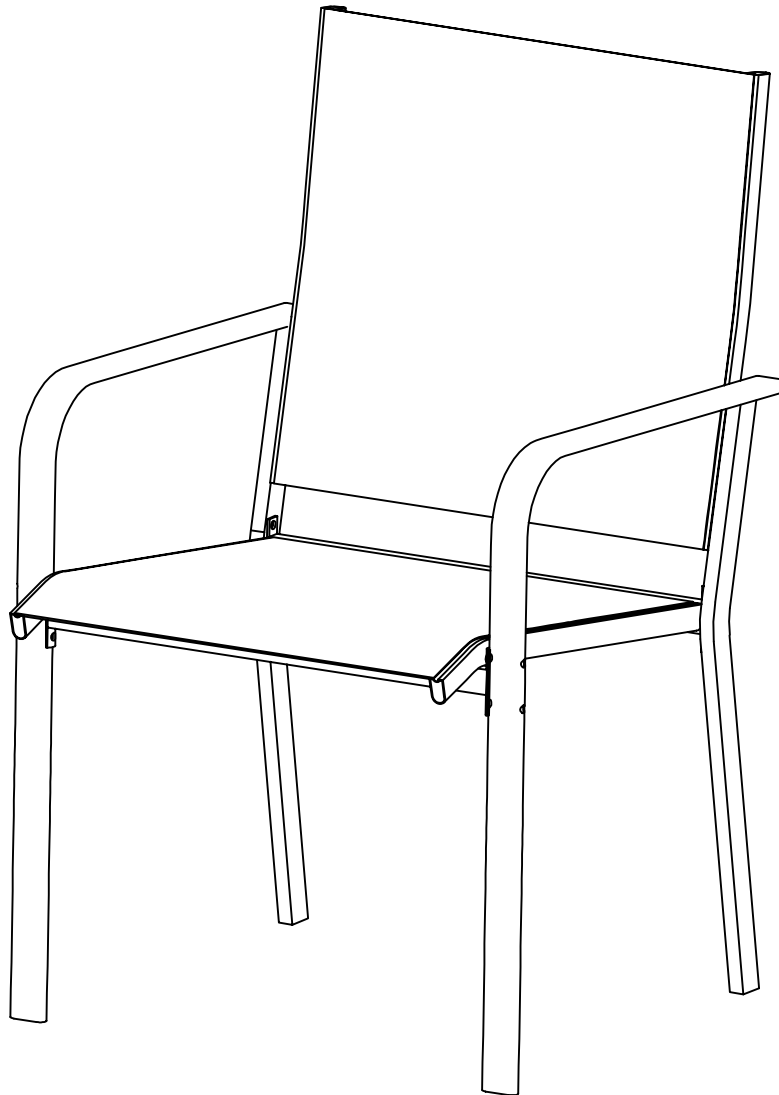


Outdoor Dining Chair Set Manual

ZXOT007-1



ATTENTION:

1. Please check the manual carefully and make sure you have received all the parts.
2. If there is any missing, please let us know the parts you need.
3. If there is any damage, please send clear photos to us, we will check and offer you best solution soon.

Product Description

Diverse Choices: Whether it is family gatherings, outdoor activities or daily use, our Teslin detachable chair can perfectly adapt to meet your personalized needs.

Comfortable Design: The ergonomic back and seat design provide a good sitting experience.

Sturdy Structure: Made of high-quality materials and rigorously tested to ensure stability and durability for long-term use.

Lightweight Design: The chair is lightweight and easy to carry, making it convenient for you to use in different occasions, such as courtyards, balconies or camping.

Easy to Disassemble and Assemble: The clever design allows the chair to be quickly disassembled and assembled for easy storage and transportation.

Wear-resistant Surface: The specially treated surface resists scratches and is easy to clean, keeping the chair looking like new.

Regular Inspection/Maintenance: Regularly check the joints of the chair to ensure that all parts are tightened to extend its service life.

Notes

Solid Installation: Before assembling and using the chair, make sure all parts are tightened to avoid affecting stability.

Safe Use: When using, please pay attention to the load-bearing capacity of the chair and avoid placing heavy objects on the edge of the chair to prevent tipping.

Monitor the Weather: In bad weather conditions, please move the chair indoors in time to prevent damage.

Child Safety: When using, please ensure that children are under adult supervision to avoid accidents.

Maintenance

Regular Cleaning

Use a mild detergent and a damp cloth to wipe the surface of the chair regularly to keep it clean and shiny. Avoid using strong acid or alkaline detergents to avoid damaging the surface coating.

Deal with Stains Quickly

If there are food residues or liquid spills, wipe them immediately with a damp cloth to prevent the stains from drying.

Avoid Direct Sunlight

Try to place the chair in a place that is not exposed to direct sunlight for a long time to prevent the material from fading and deformation.

Prevent Scratches

Use placemats or cloth pads, and avoid cutting or placing hot objects directly on the chair surface to prevent scratches and burns.

Regular Inspection

Check the joints and screws of the chair regularly to ensure that they are tight to avoid looseness and instability. Make sure all parts are working properly and tighten or replace them if necessary.

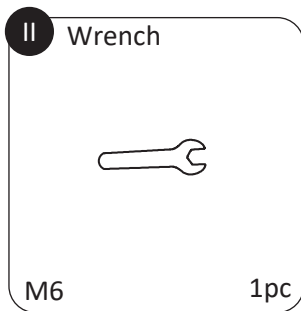
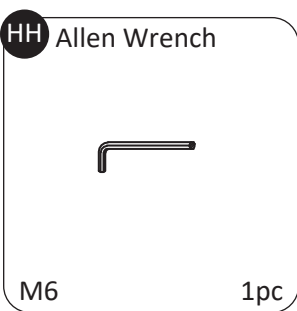
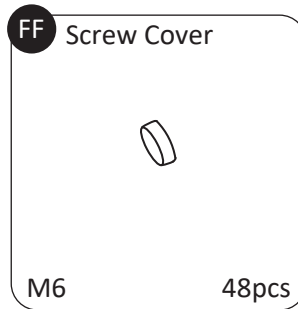
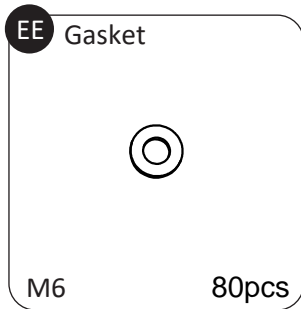
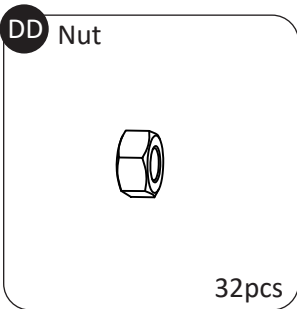
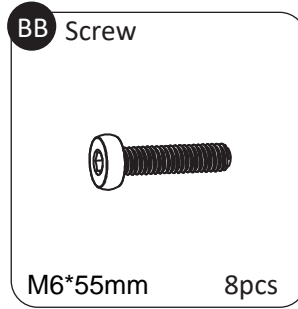
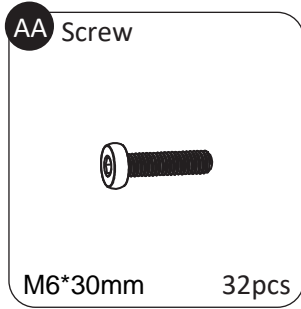
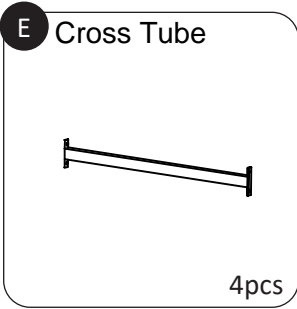
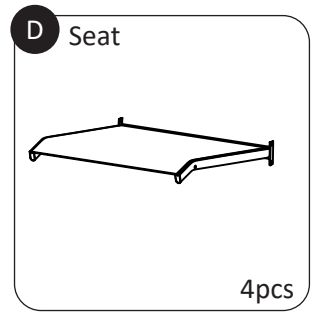
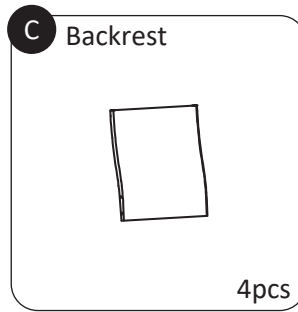
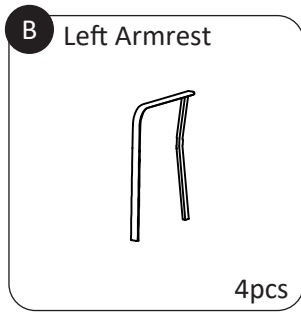
Adjust the Footrests

If you find that the chair is tilted, check the footrests and make necessary adjustments to ensure that they are stable.

Protection Measures

When not in use for a long time, you can cover the chair with a dust cover to prevent dust accumulation.

Product Accessories list



ASSEMBLY STEPS :

Unpack the delivery package: Unpack the Teslin disassembled chair and make sure all parts are complete, including the seat, backrest, legs and installation tools.

Prepare the assembly site: Choose a clean, flat place for assembly and make sure there is enough space to accommodate the entire chair.

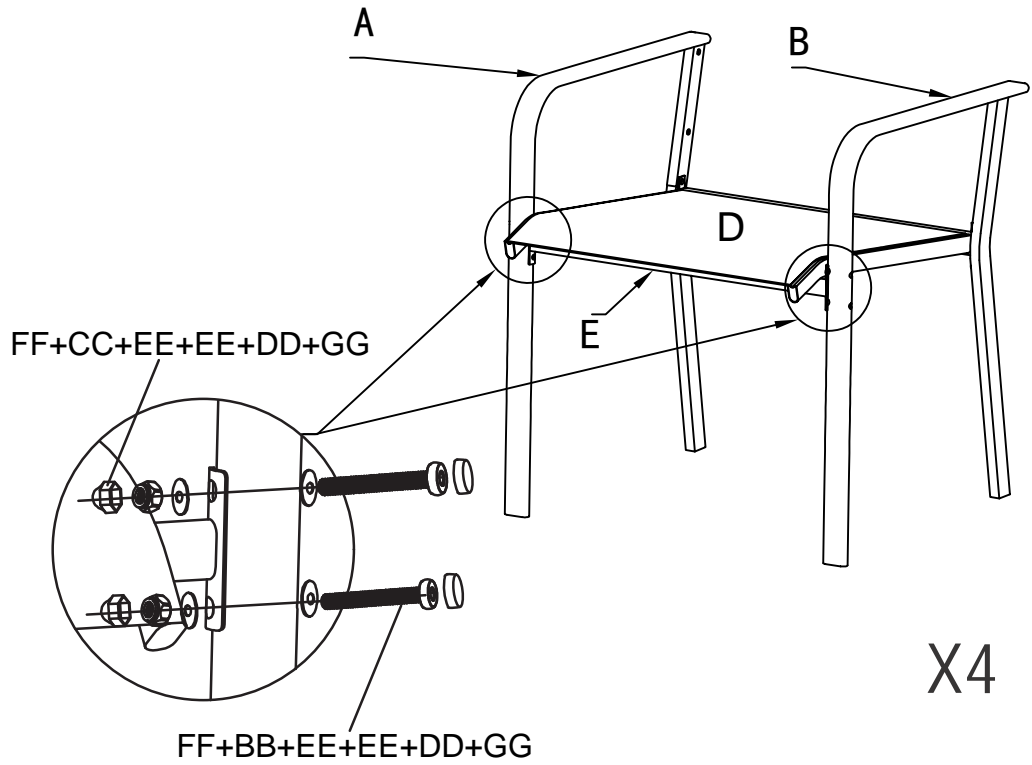
Install the legs: Use a screwdriver or wrench to install the legs to the reserved connection ports on the seat. Make sure the legs are firmly connected to the seat to increase stability.

Connect the backrest: Follow the diagram in the instruction manual to install the backrest to the seat, making sure all connections are tightened in place.

Check stability: After installation, check all parts to make sure they are installed correctly and not loose. Gently shake the chair to confirm its stability. Retighten the screws or adjust the connection if necessary.

Step 1: Connect the two armrests to the seat plate, use M6*55 and M6*70, a total of 4 screws.

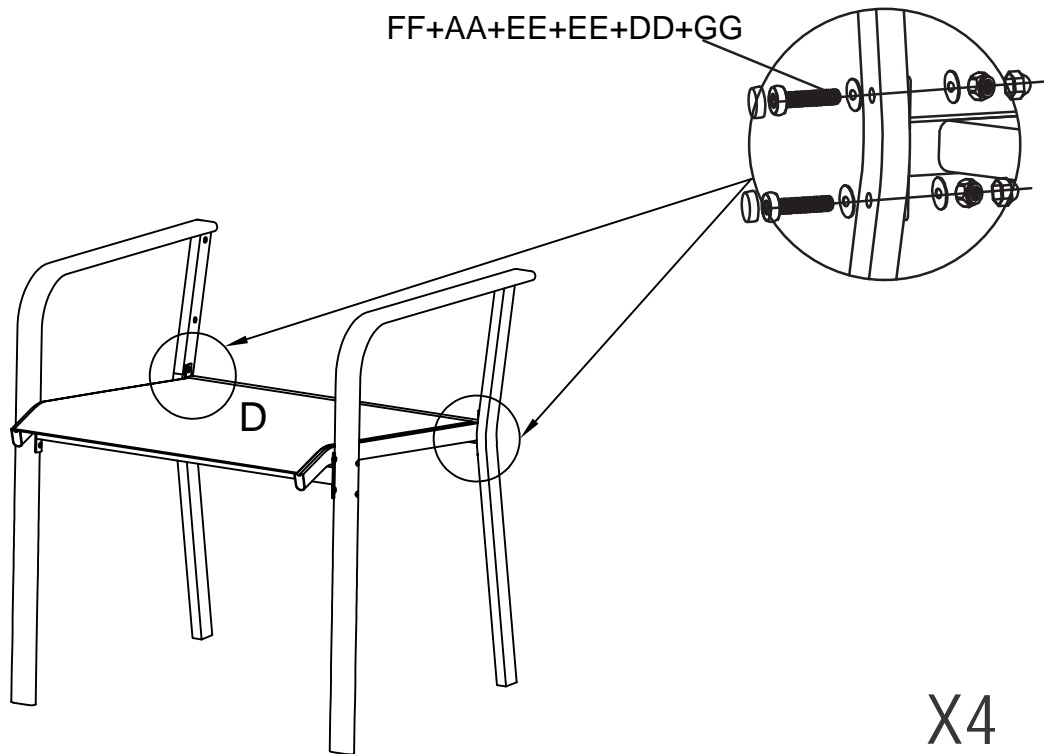
1



- BB: 2 PCS X 4
- CC: 2 PCS X 4
- DD: 4 PCS X 4
- EE: 8 PCS X 4
- FF: 4 PCS X 4
- GG: 4 PCS X 4

Step 2: Connect the two armrests to the seat plate, use M6*30, a total of 4 screws.

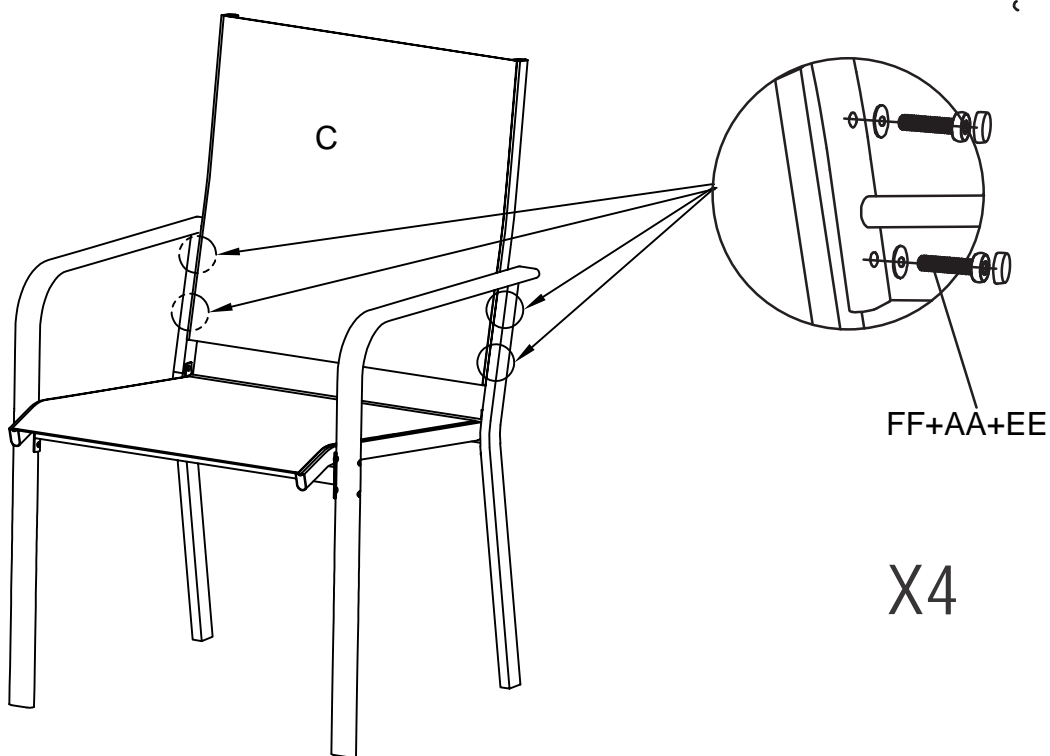
2



- AA: 4 PCS X 4
- DD: 4 PCS X 4
- EE: 8 PCS X 4
- FF: 4 PCS X 4
- GG: 4 PCS X 4

Step 3: Connect the two armrests to the back plate, use M6*30, a total of 4 screws.

3



AA: 4 PCS X 4
EE: 4 PCS X 4
FF: 4 PCS X 4

Guide to the Use of Teslin Disassembly and Assembly Chairs

Choose a Suitable Location: Place the chair in a stable and dry place, avoid wet or slippery areas to ensure safe use.

Guide to Use: Before use, make sure the chair is fully unfolded and firm to attract family members or guests to use it actively.

Create a Comfortable Atmosphere: Place a small table, cushions or blankets next to the chair to enhance the comfort of dining or leisure.

Add Fun: When you are outdoors, you can prepare some relaxing music or games to increase the fun of the party.

Regular Cleaning: Use a mild detergent and soft cloth to clean the chair regularly to remove dirt and water stains and keep the appearance clean and new.

Precautions

Solid Installation: Before assembling and using the chair, make sure all parts are tightened to avoid affecting stability and safety.

Safe Use: When using, pay attention to the surrounding environment and avoid placing heavy objects on the chair to prevent tipping or damage.

Monitor the Weather: In bad weather conditions, move the chair indoors in time to prevent damage or corrosion.

Customer Service

Problem Inquiry: If you encounter any problems during use, please contact us in time and we will respond to you within 24 hours.

Feedback and Suggestions: We attach great importance to your opinions and welcome you to share your experience or suggestions with us at any time. I wish you a happy use!