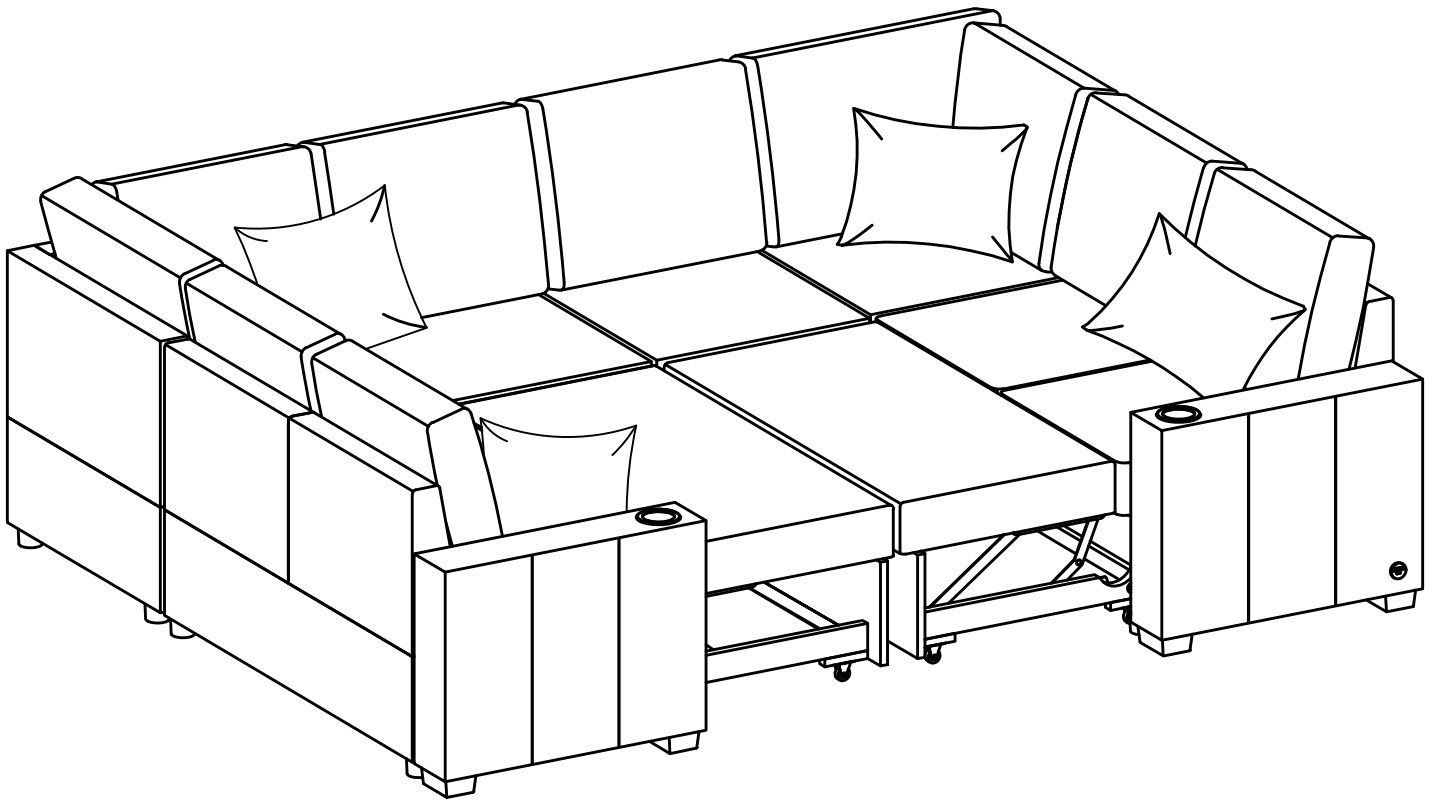
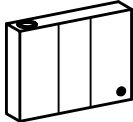
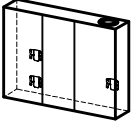





ASSEMBLY INSTRUCTION

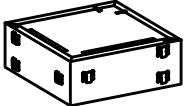
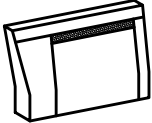
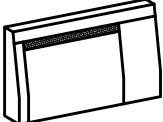
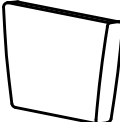

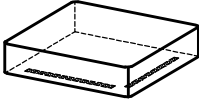


ITEM NO.: N719P264007 - N719P264009 (x2) - N719P264010 (x2) - N719P264011 (x2)



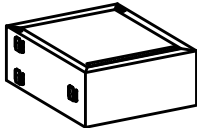
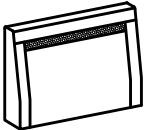
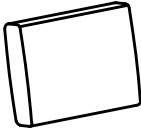


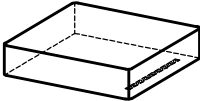
N719P264007 - COMPONENT LIST

NO.	DRAWING	QTY	DESCRIPTION
(A)		1	Right Arm
(B)		1	Left Arm
(C)		4	Square Leg
(R)		8	Bolt 5/16" x 50mm
(T)		1	Allen Key

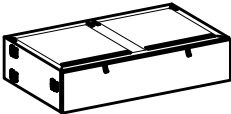
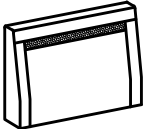
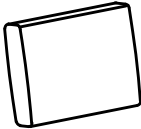

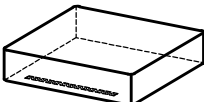



N719P264009 (x2) - COMPONENT LIST


NO.	DRAWING	QTY	DESCRIPTION
(D)		1	Corner Body
(E)		1	Short Corner Backrest
(F)		1	Long Corner Backrest
(G)		1	Short Corner Back Cushion
(H)		1	Long Corner Back Cushion
(V)		1	Corner Seat Cushion
(P)		4	Round Legs
(U)		4	Two-headed Pads

N719P264010 (x2) - COMPONENT LIST

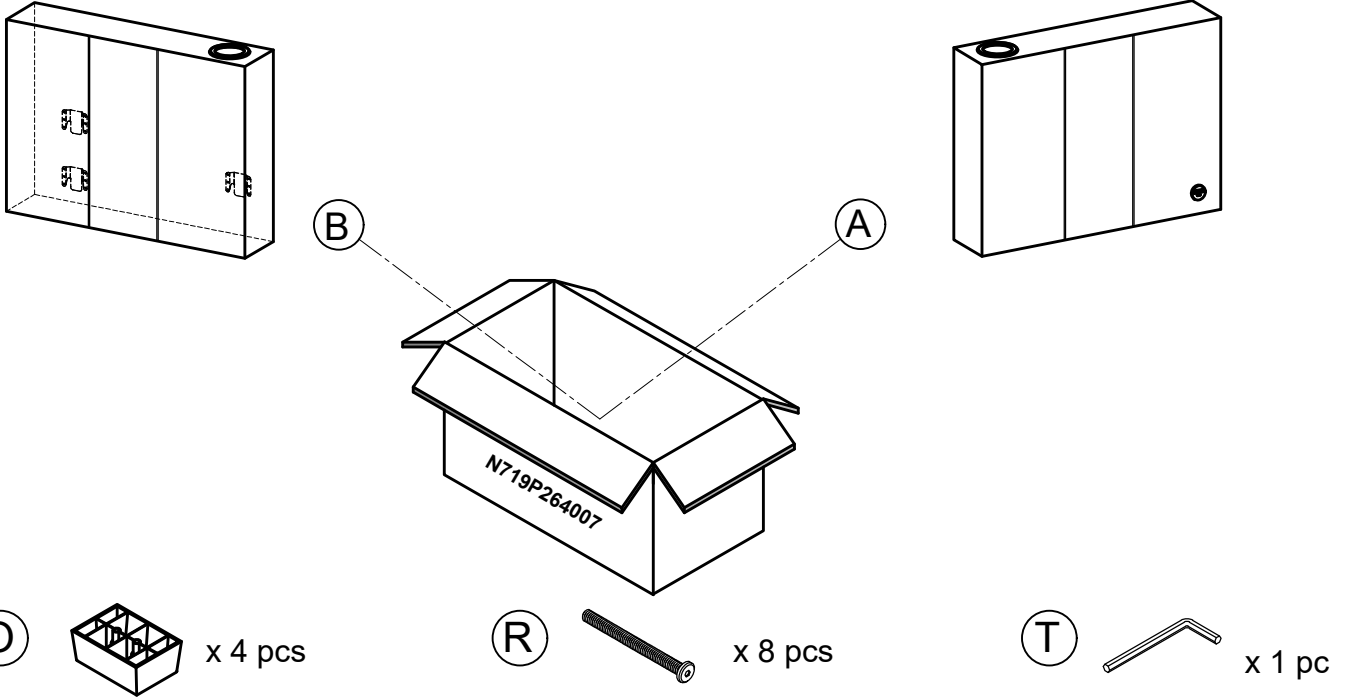
NO.	DRAWING	QTY	DESCRIPTION
Ⓡ		1	Chaise Body
Ⓝ		1	Backrest
Ⓚ		1	Back Cushion
Ⓟ		4	Round Legs
Ⓢ		2	Two-headed Pads
Ⓦ		1	Seat Cushion

N719P264011 (x2) - COMPONENT LIST

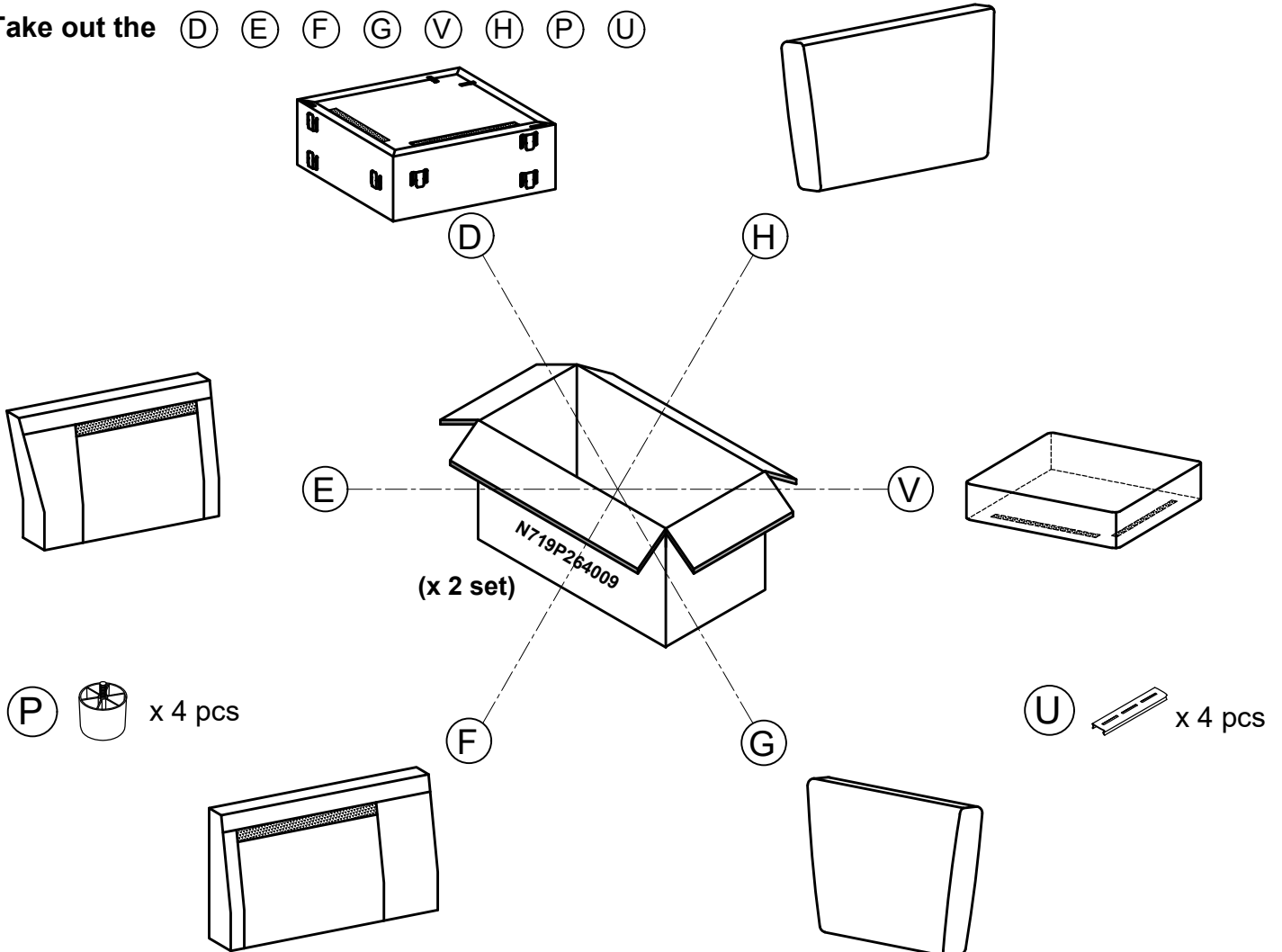
NO.	DRAWING	QTY	DESCRIPTION
Ⓛ		1	Loveseat Body
Ⓝ		2	Backrest
Ⓚ		2	Back Cushion
Ⓜ		2	Pillow
Ⓦ		2	Seat Cushion
Ⓠ		4	Wheels
Ⓟ		4	Round Legs
Ⓢ		8	Bolt 1/4" x 20mm

NO.	DRAWING	QTY	DESCRIPTION
U		4	Two-headed Pads

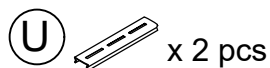
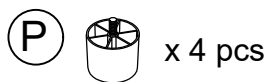
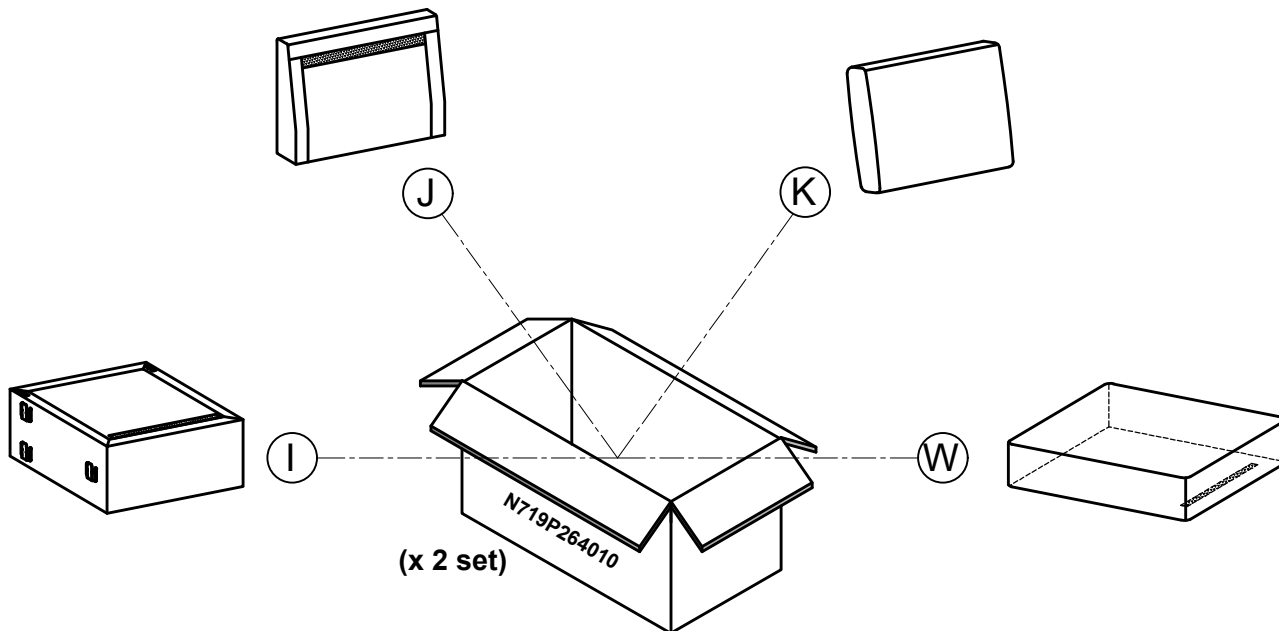
* Take out the (A) (B) (O) (R) (T)



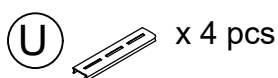
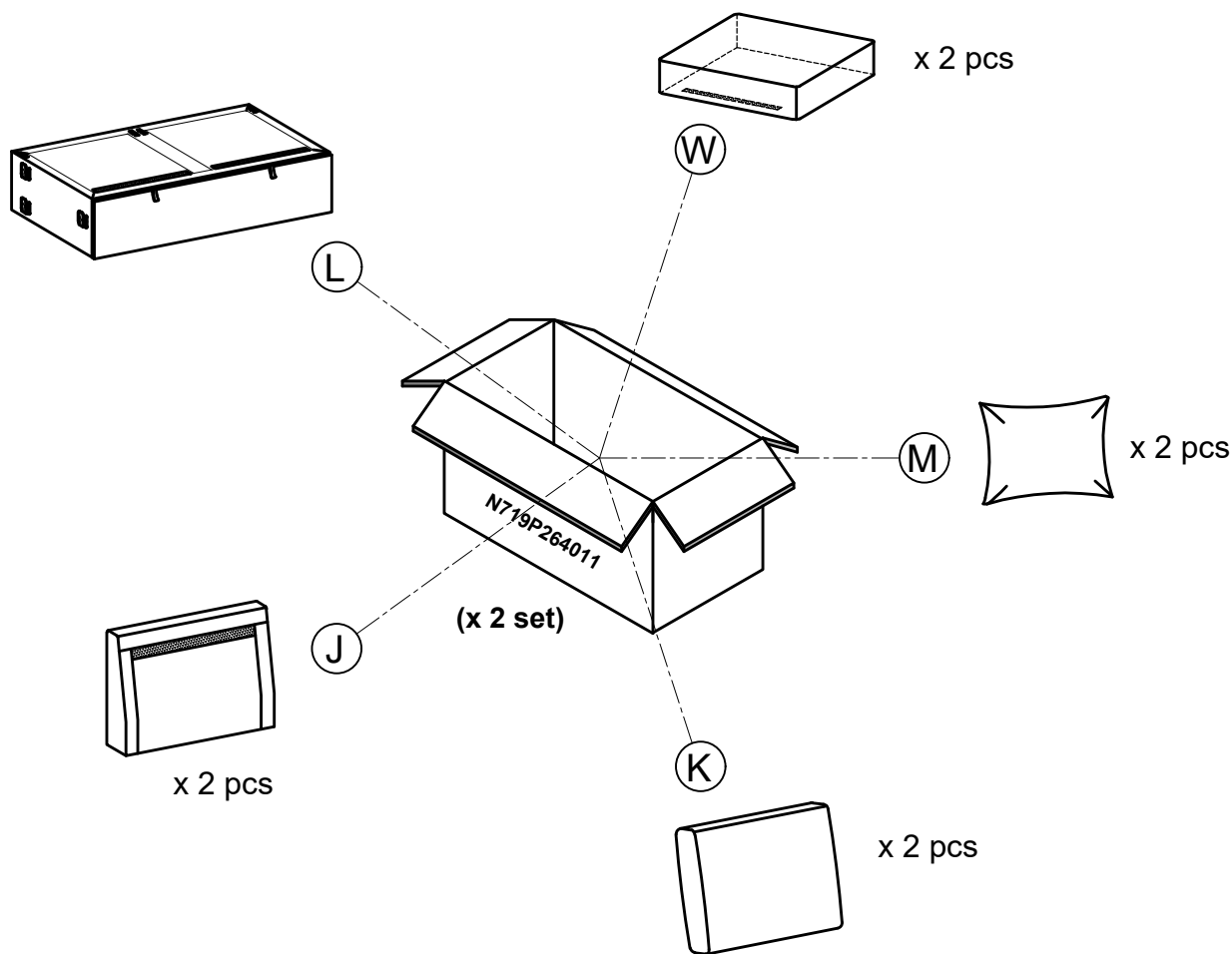
* Take out the (D) (E) (F) (G) (V) (H) (P) (U)

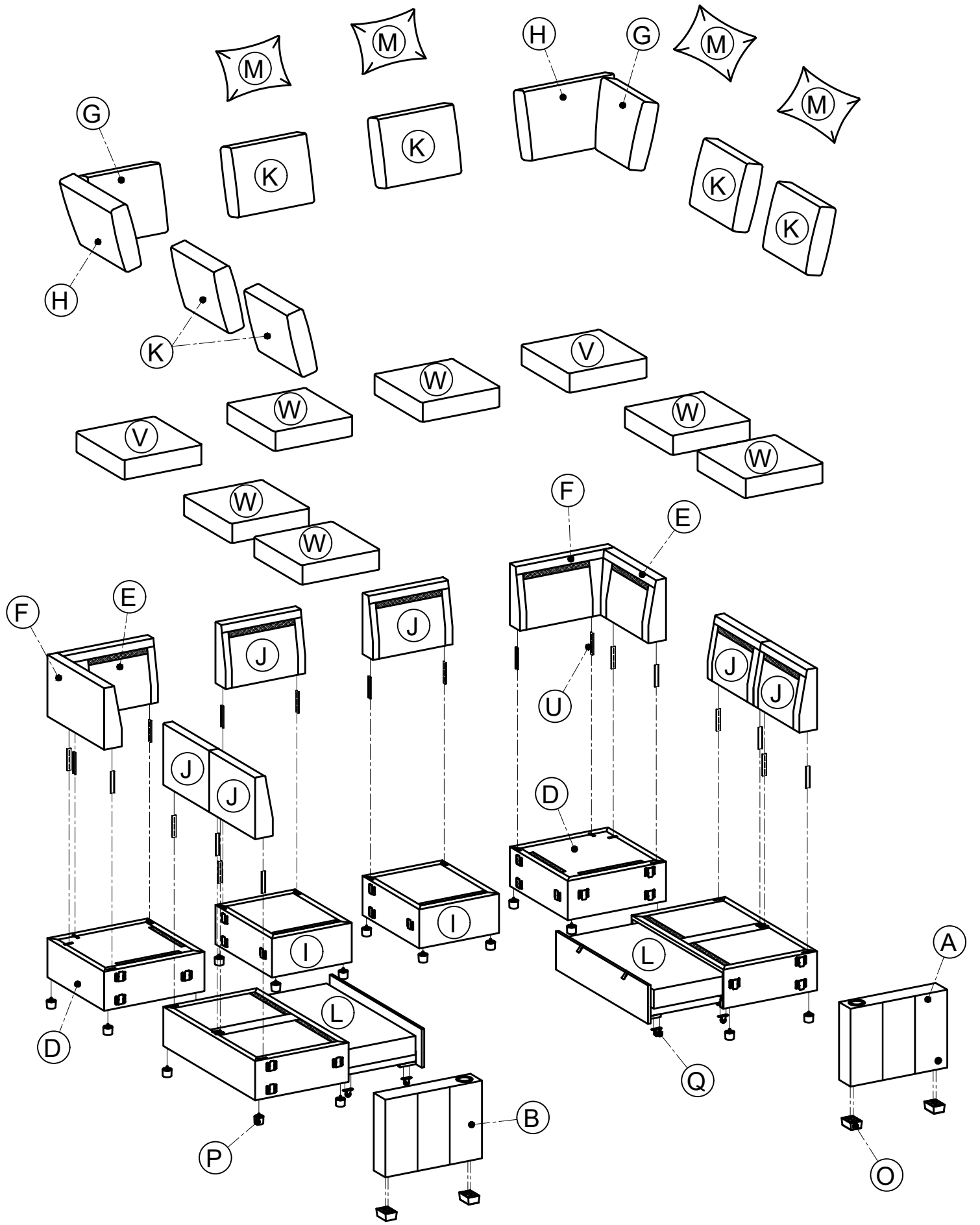


* Take out the (I) (J) (K) (W) (P) (U)

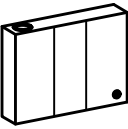
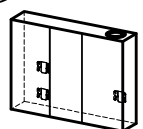
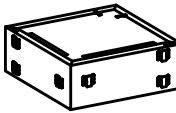
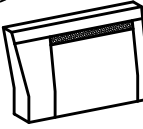
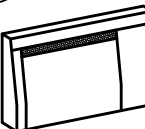
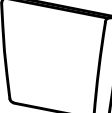
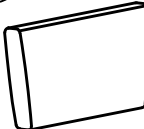
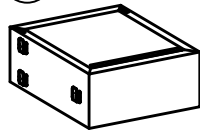
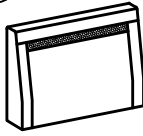
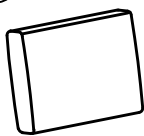
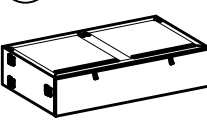








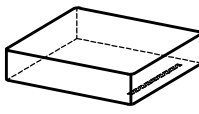
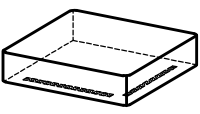


* Take out the (L) (J) (K) (M) (W) (Q) (P) (U) (S)

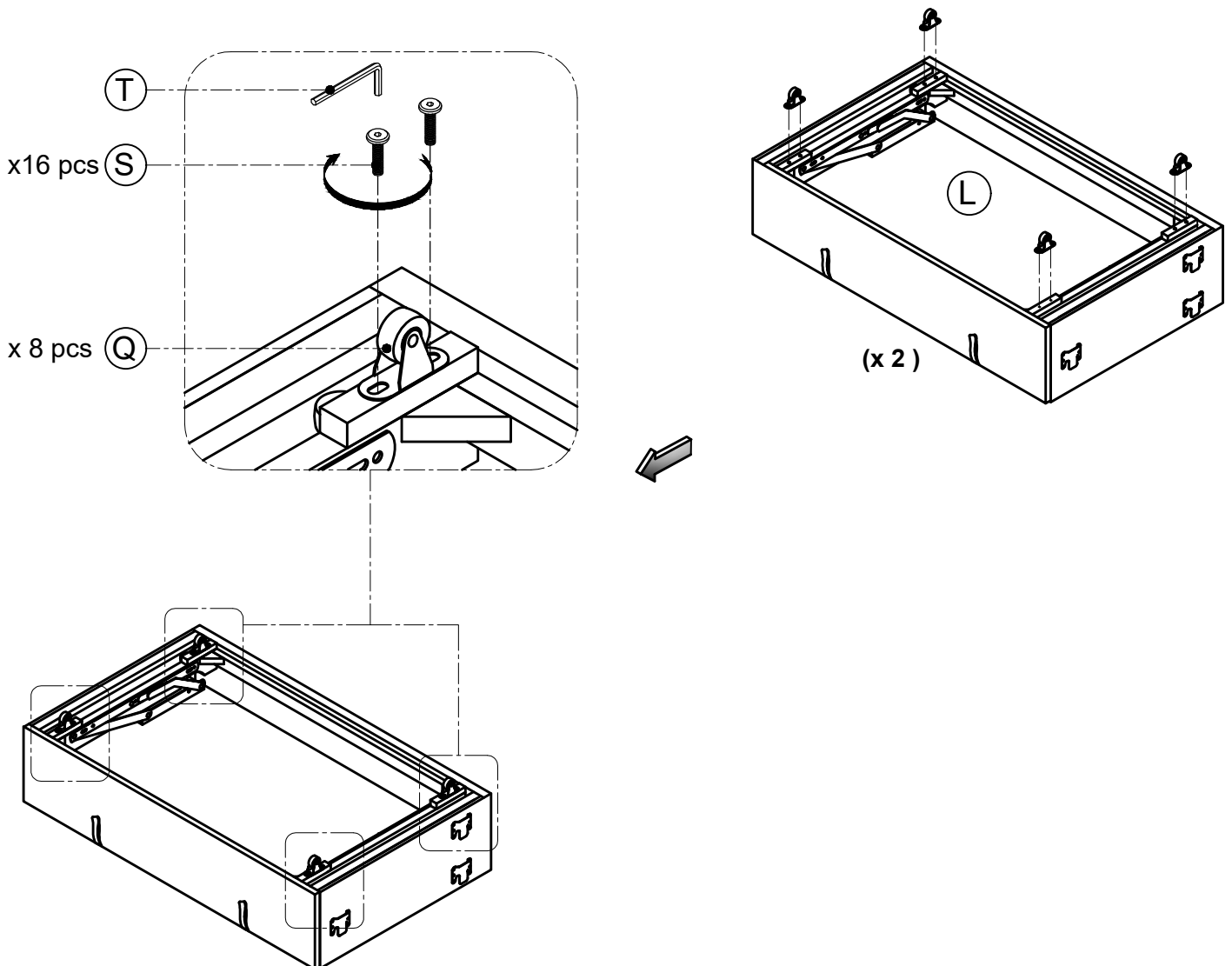




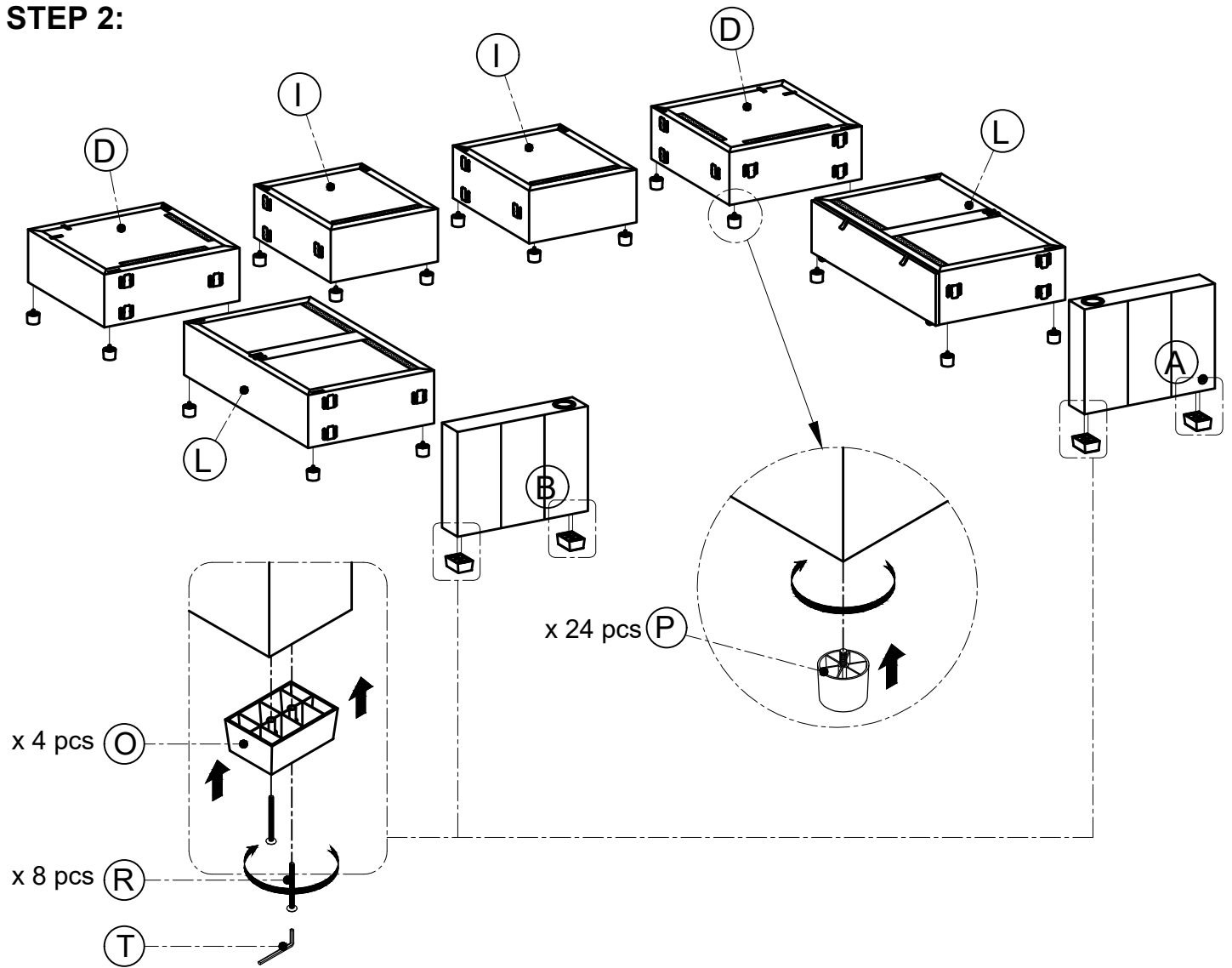
PARTSLIST

						
Right Arm x 1 pc	Left Arm x 1 pc	Corner Body x 2 pcs	Short Corner Backrest x 2 pcs	Long Corner Backrest x 2 pcs	Short Corner Back Cushion x 2 pcs	Long Corner Back Cushion x 2 pcs
						
Chaise Body x 2 pcs	Backrest x 6 pcs	Back Cushion x 6 pcs	Loveseat Body x 2 pcs	Pillow x 4 pcs	Square Leg x 4 pcs	Round Legs x 24 pcs
						
Wheels x 8 pcs	Bolt 5/16" x 50mm x 8 pcs	Bolt 1/4" x 20mm x 16 pcs	Allen Key x 1 pc	Two-headed Pads x 20 pcs	Seat Cushion x 6 pcs	Corner Seat Cushion x 2 pcs

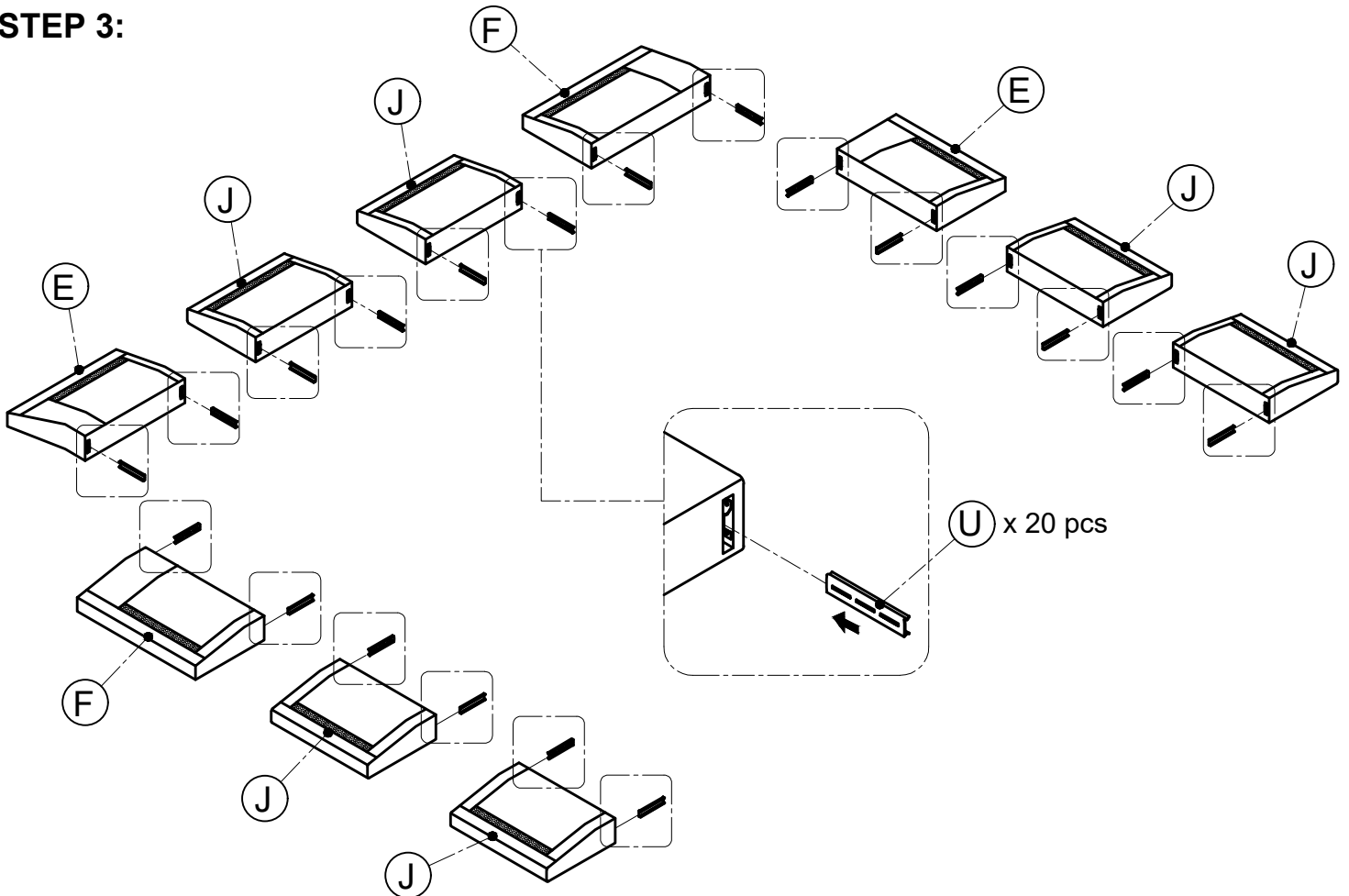
STEP 1:



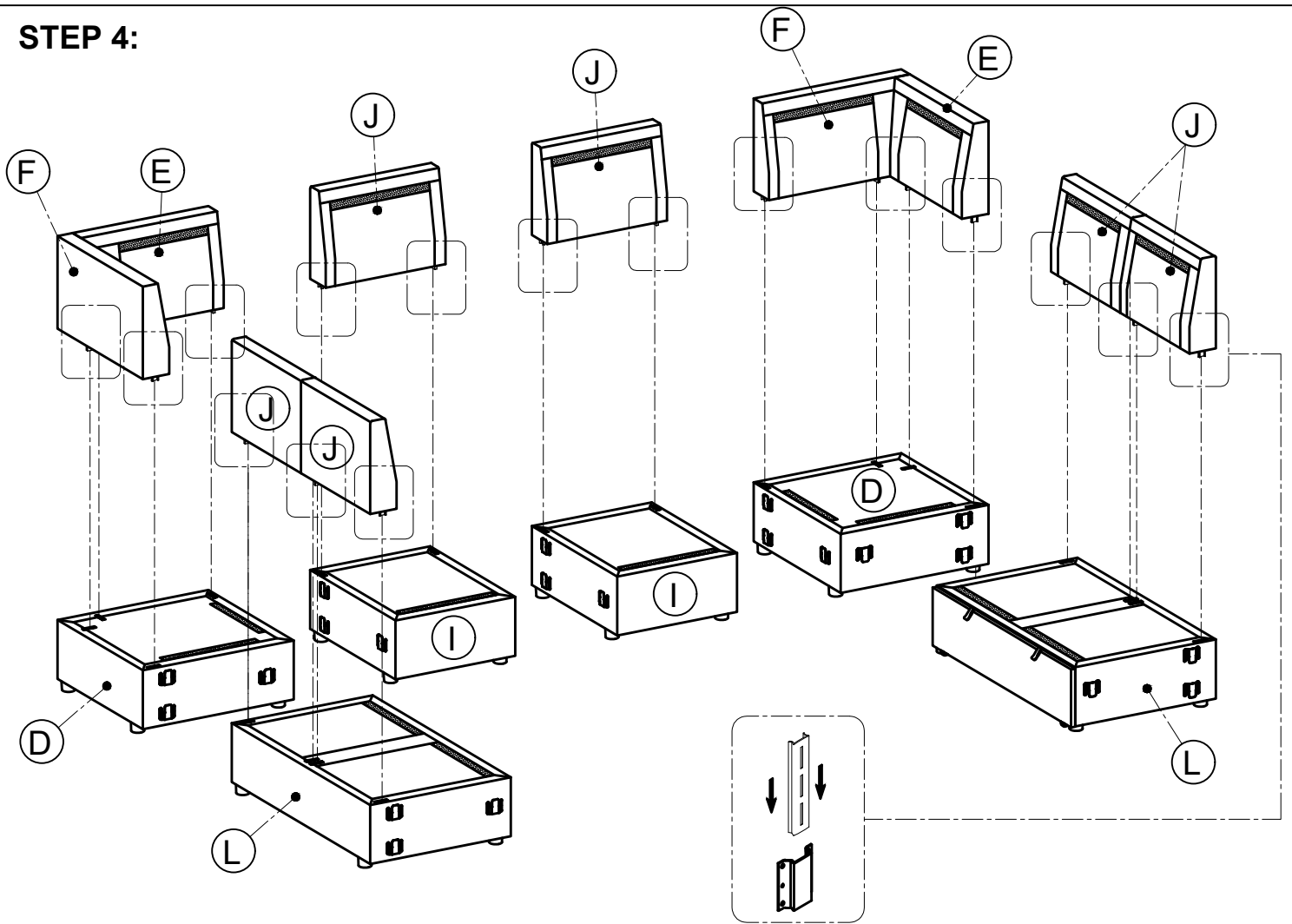
STEP 2:



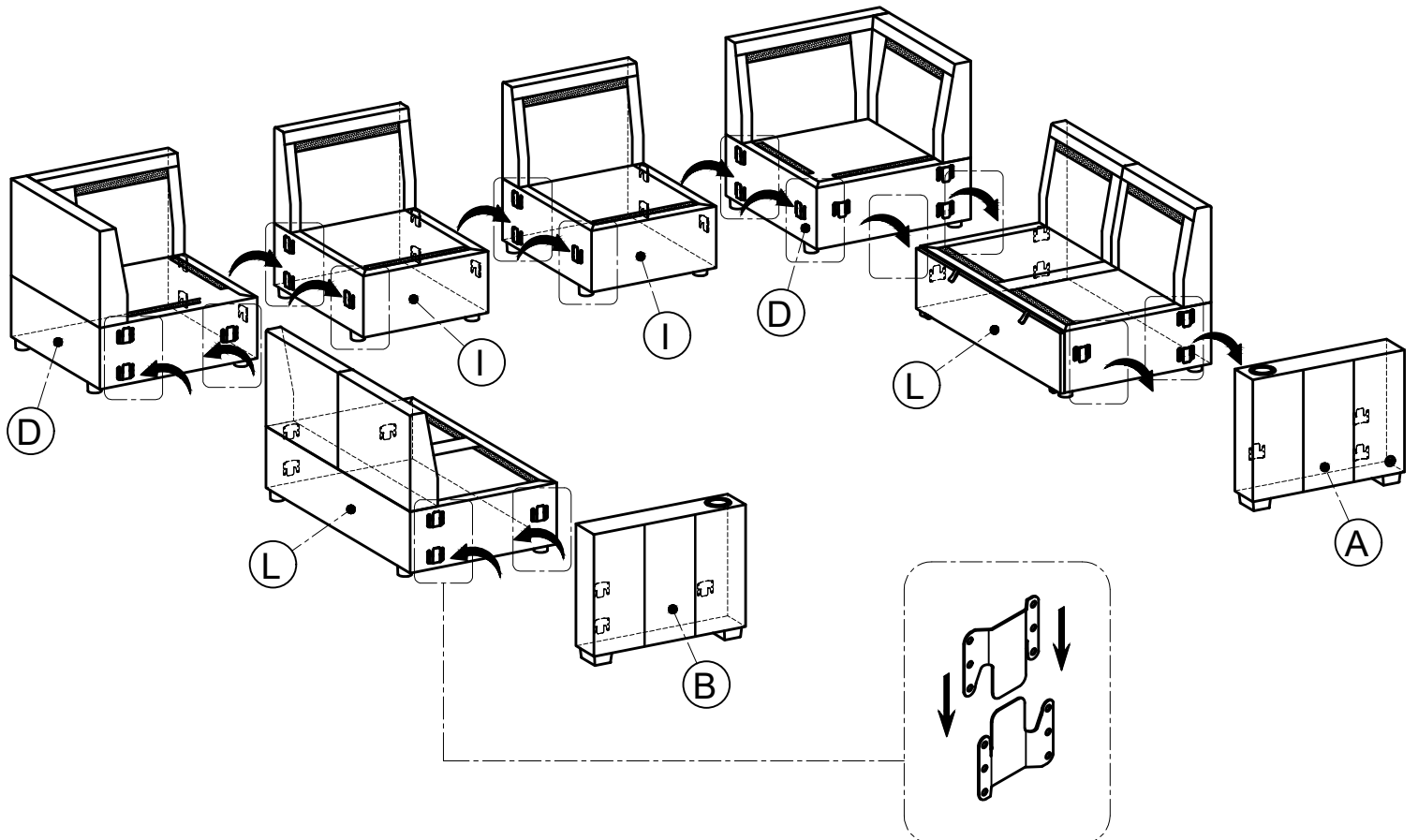
STEP 3:



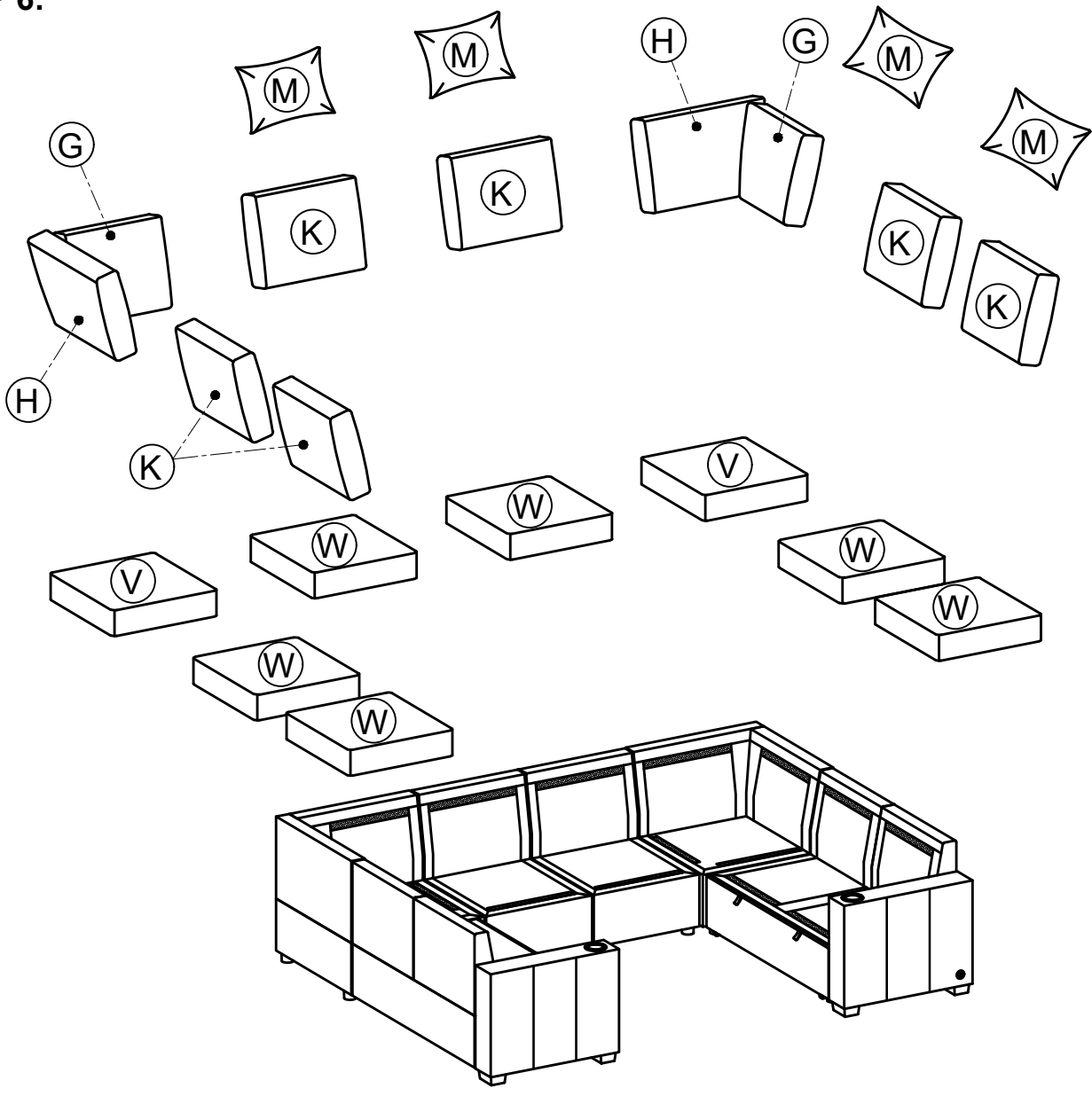
STEP 4:



STEP 5:



STEP 6:



Helpful Hints

- Sofa bed can transform into a sleeper.
- Move your new furniture carefully, with two people lifting and carrying the unit to its new location.
- Your furniture can be disassembled and reassembled to move.
- Clean the product with a soft damp cloth. DO NOT use harsh chemicals or abrasive cleaners.

COMPLETED

