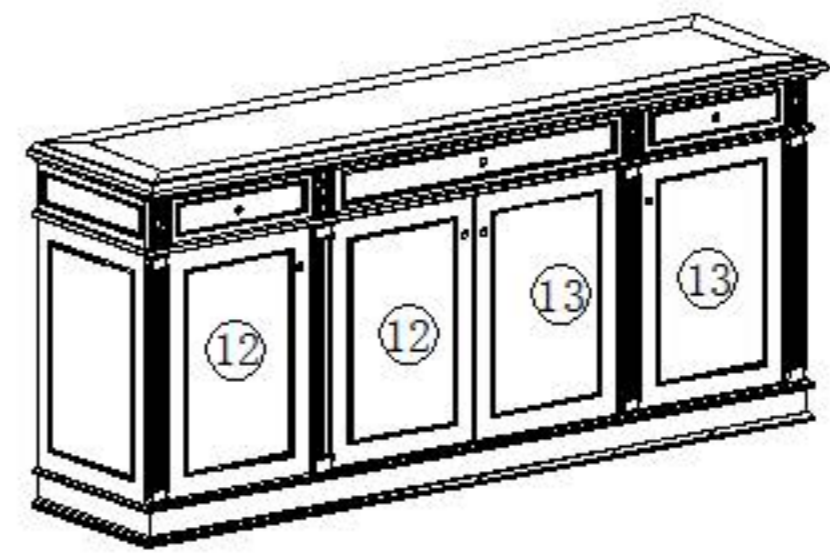
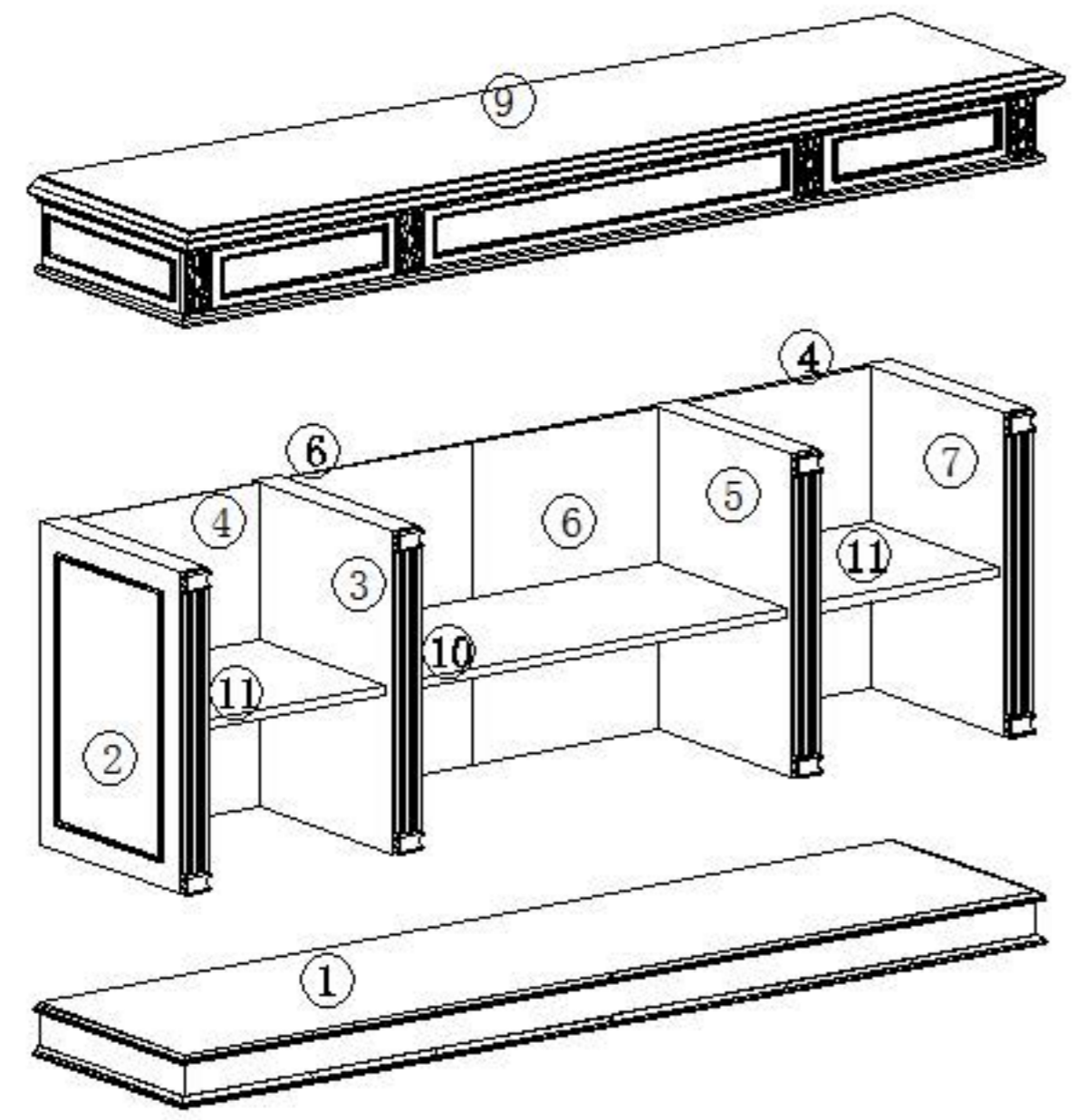


ACCESSORIES LIST
MODEL NO:0807T



Large ream

NO	PICTURE	Q' ty
A1		16
B1t		16
Hb1		16
38#		4
C1g-1		8
D8		32
Kp15		40
G6		3
D25		4
G1t		12
U1		3
U2		3

Assemble step: ①A1 → ②③⑤⑦B1Hb1 → ④⑥ → ⑨A1 → ⑩⑪G1
 → ⑫⑬ C1g Kp15 D8 G6 D25 38#