












**IMPORTANT!! PLEASE READ ENTIRE
INSTRUCTION SHEET BEFORE ASSEMBLY!!
Wood Adirondack Chair**

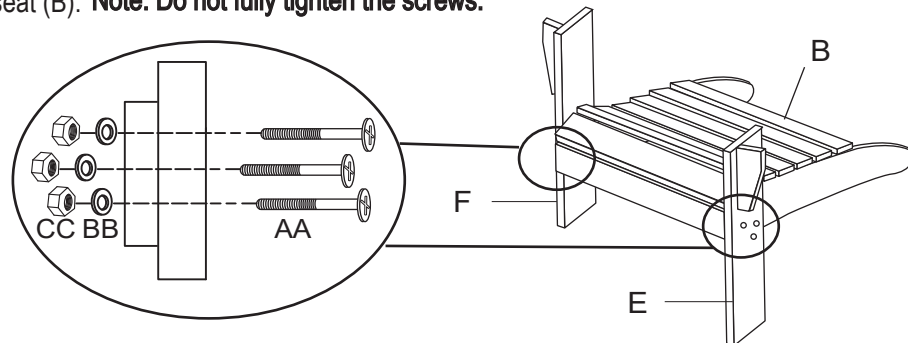
Identify all parts packed in the carton against the parts list. Remove all protective materials. Place parts on a non-abrasive surface. If you are missing any parts or Are unsure how to proceed with assembly, please call customer service center

Do not attempt to assemble the product if any parts are missing or damaged .

PART LIST							
A	Chair Back		1	AA	M6 x 55mm Screw		8
B	Chair Seat w/ Rear Legs		1	BB	Washer		8
C	Left Armrest		1	CC	Nut		8
D	Right Armrest		1	DD	M6 x 50mm Bolt		4
E	Left Front Leg		1	EE	Allen Wrench		1
F	Right Front Leg		1				

Step 1(Screwdriver not provided)

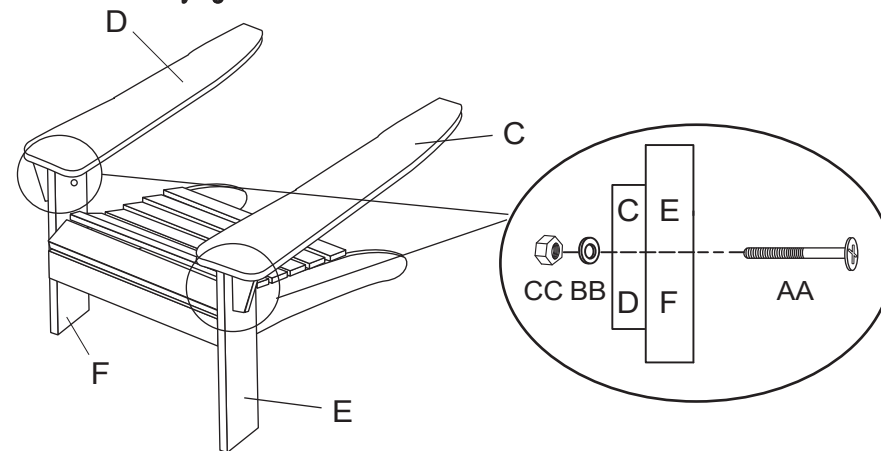
Place chair seat w/ rear legs (B) on a flat, soft surface. Attach left front leg (E) & right front leg (F) to chair seat (B) by using screws (AA), washers(BB) and nuts (CC) through each hole of the front legs into the chair seat (B). **Note: Do not fully tighten the screws.**



Step 2

Attach left armrest (C) & right armrest (D) to the front legs (E & F) by using screws (AA), washers (BB) and nuts (CC) through each hole of the front legs into the armrest (C & D).

Note: Do not fully tighten the screws.

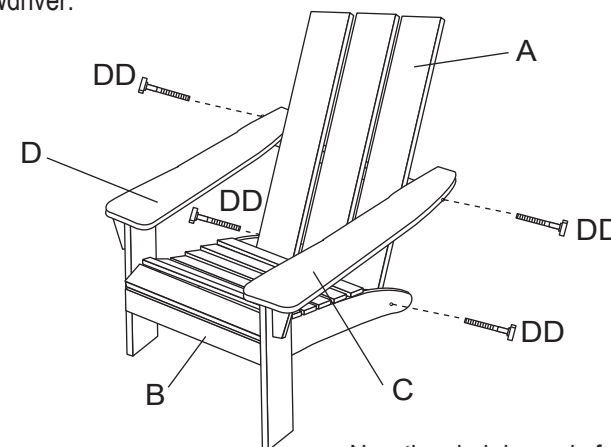


Step 3

Attach the armrests (C&D) to chair back (A) by using bolts (DD) through each hole of the armrests into the chair back.

Attach the rear legs to chair back (A) by using bolts (DD) through each hole of the rear legs into the chair back.

Tighten all the bolts(AA) fully by allen wrench. Tighten all the screws(DD) by your screwdriver.



Now the chair is ready for your enjoyment.