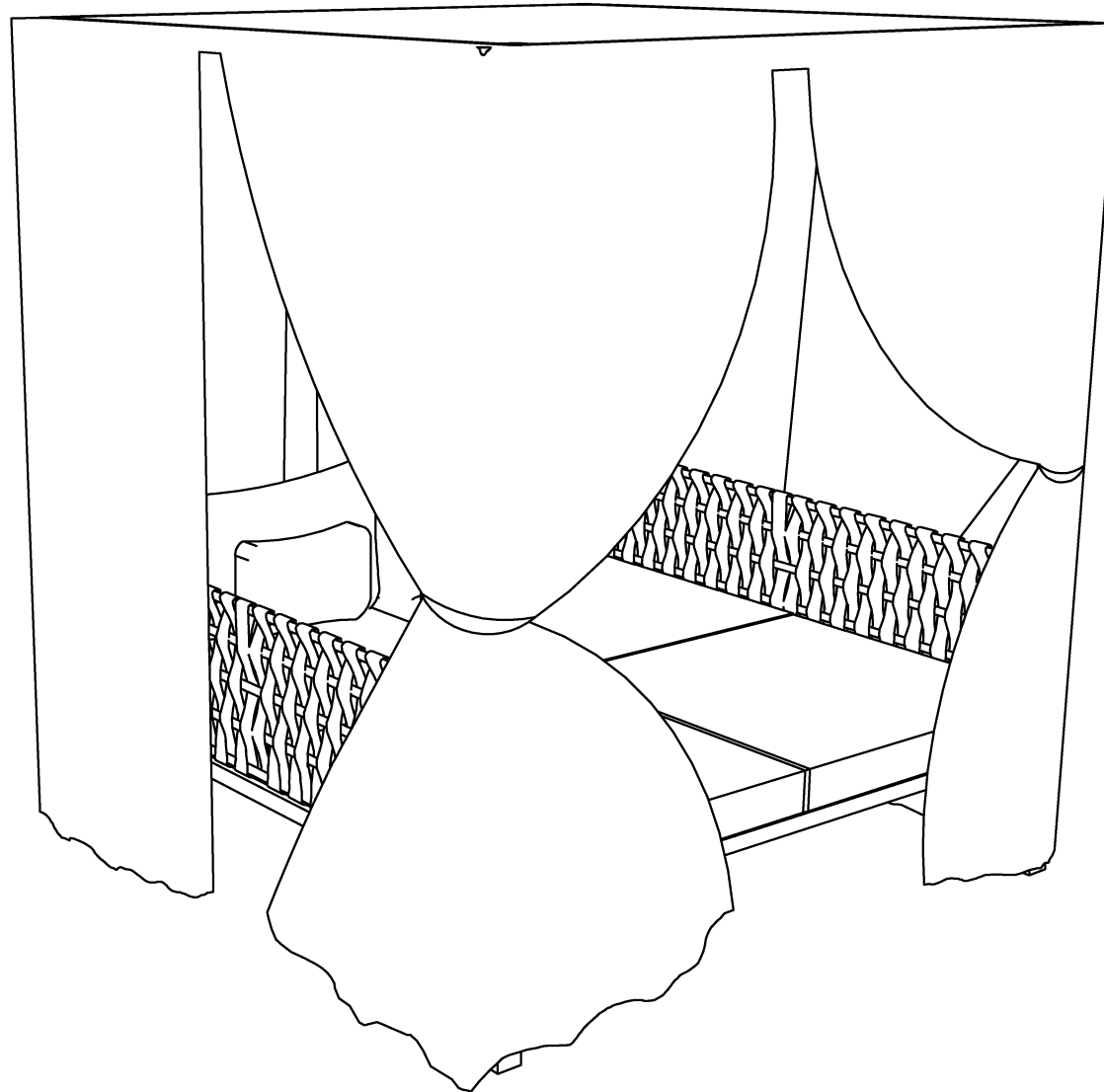
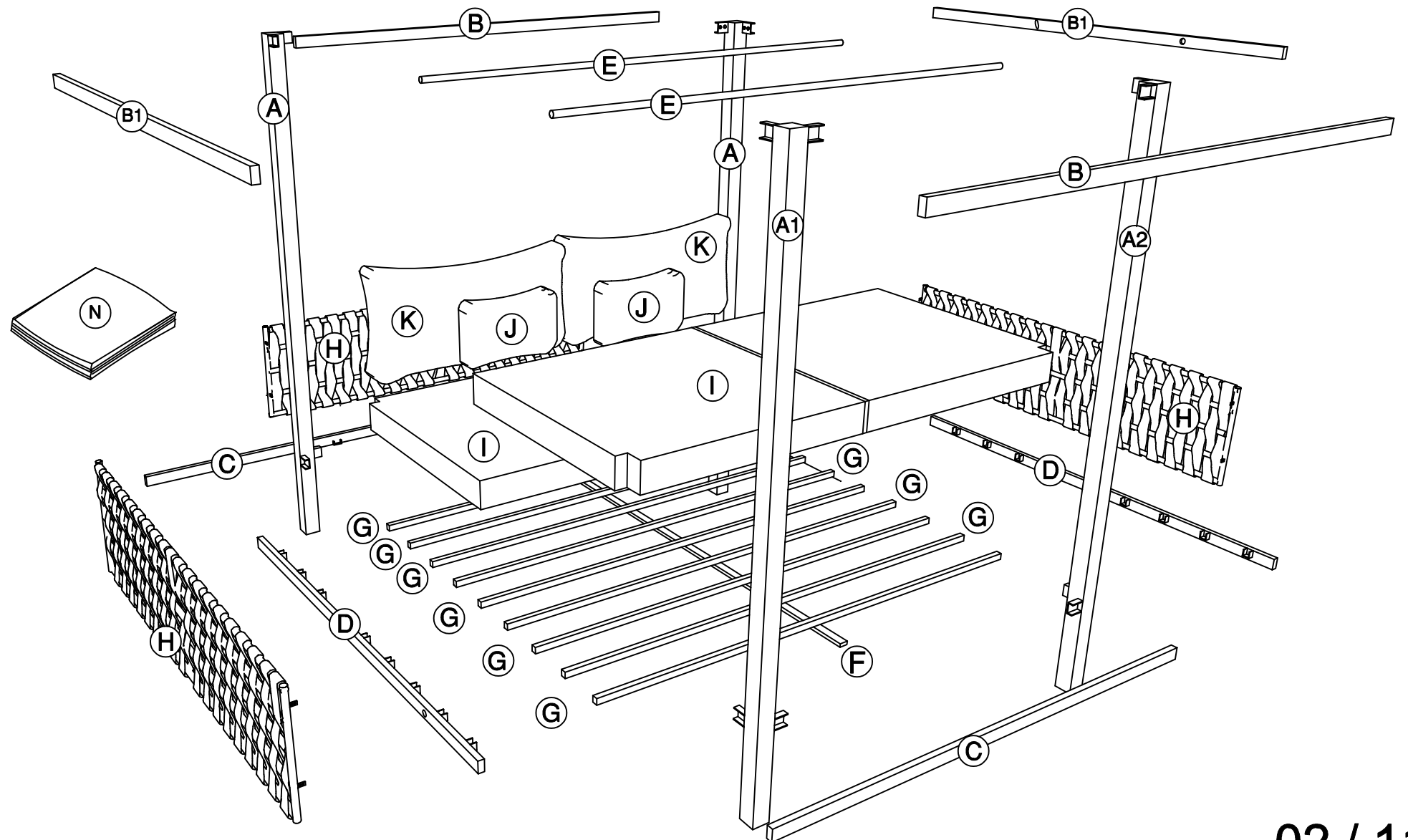


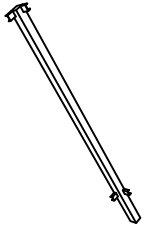
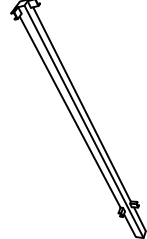
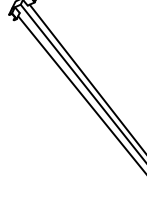
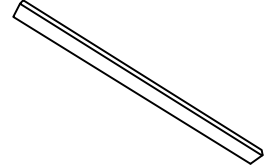
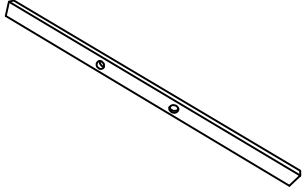
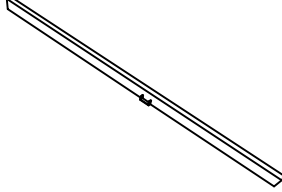
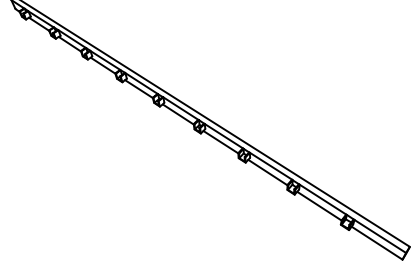
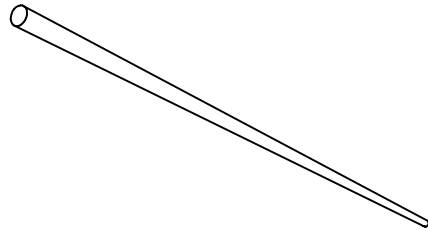
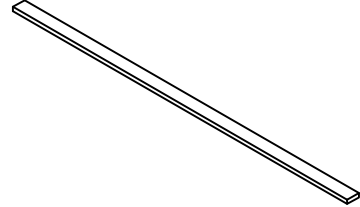
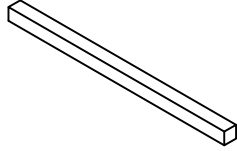
ASSEMBLY INSTRUCTION



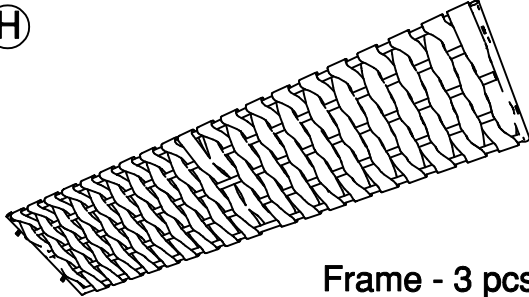
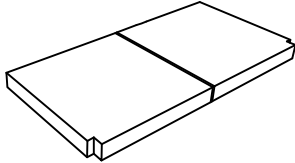
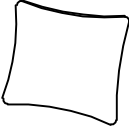
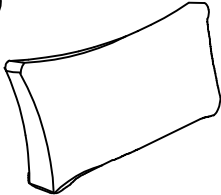
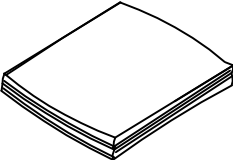
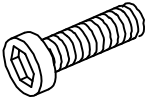


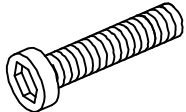

ASSEMBLY INSTRUCTION



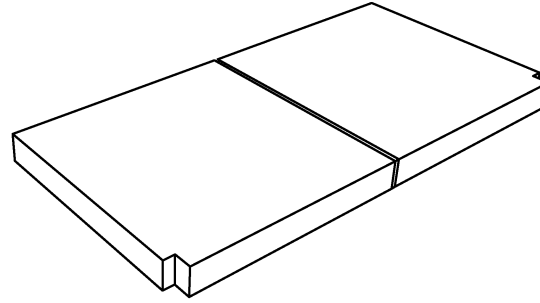
Part List & Hardware

<p>(A)</p>  <p>Leg - 2 pcs</p>	<p>(A1)</p>  <p>Leg - 1pc</p>	<p>(A2)</p>  <p>Leg - 1pc</p>	<p>(B)</p>  <p>Slats - 2 pcs</p>
<p>(B1)</p>  <p>Slats - 2 pcs</p>	<p>(C)</p>  <p>Slats - 2 pcs</p>	<p>(D)</p>  <p>Slats - 2 pcs</p>	
<p>(E)</p>  <p>Round bar - 2 pcs</p>		<p>(F)</p>  <p>Slats - 1pc</p>	<p>(G)</p>  <p>Slats - 9 pcs</p>

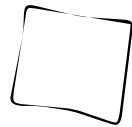
Part List & Hardware

<p>H</p>  <p>Frame - 3 pcs</p>	<p>I</p>  <p>mattress - 2 pcs</p>	<p>J</p>  <p>Hugging pillows - 2 pcs</p>	
<p>K</p>  <p>pillows - 2 pcs</p>	<p>N</p>  <p>curtain - 1 pc</p>	<p>1</p>  <p>1/6" x 10 mm Hex-Head bolts 32 pcs</p>	<p>2</p>  <p>1/6" Flat washer 44 pcs</p>
<p>3</p>  <p>1/6" Spring Washer 44 pcs</p>	<p>4</p>  <p>1/6" x 20 mm Hex-Head bolts 12 pcs</p>	<p>5</p>  <p>Allen key 1 pc</p>	

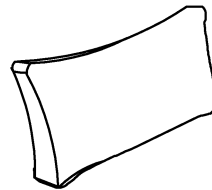
CARTON CONTENT



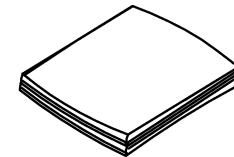
① x 2



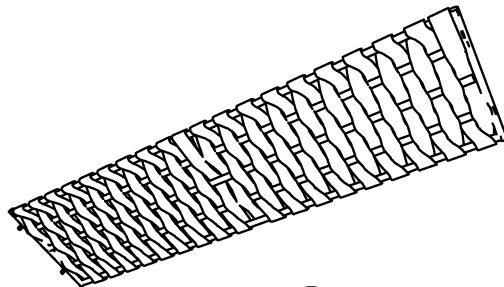
② x 2



③ x 2

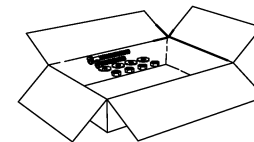


④



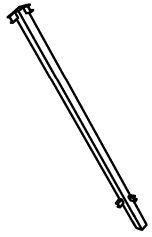
⑤

⑥ INCLUDED BOX

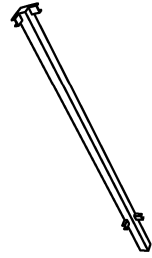


Hardware

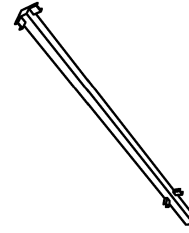
CARTON CONTENT



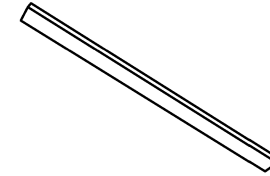
Ⓐ x 2



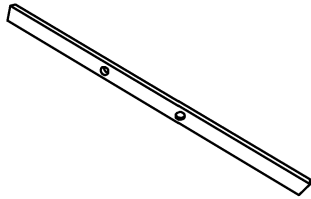
Ⓐ1



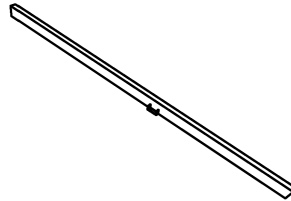
Ⓐ2



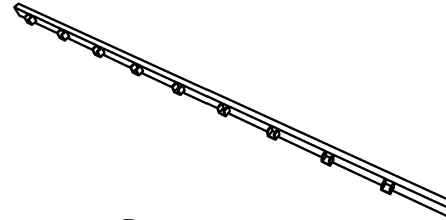
Ⓑ x 2



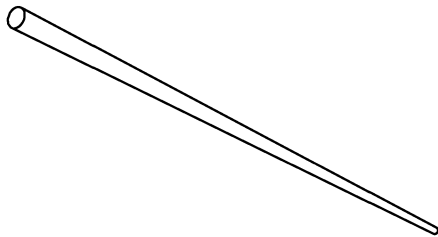
Ⓑ1 x 2



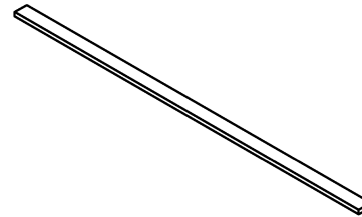
Ⓒ x 2



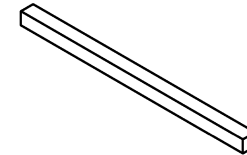
Ⓓ x 2



Ⓔ x 2






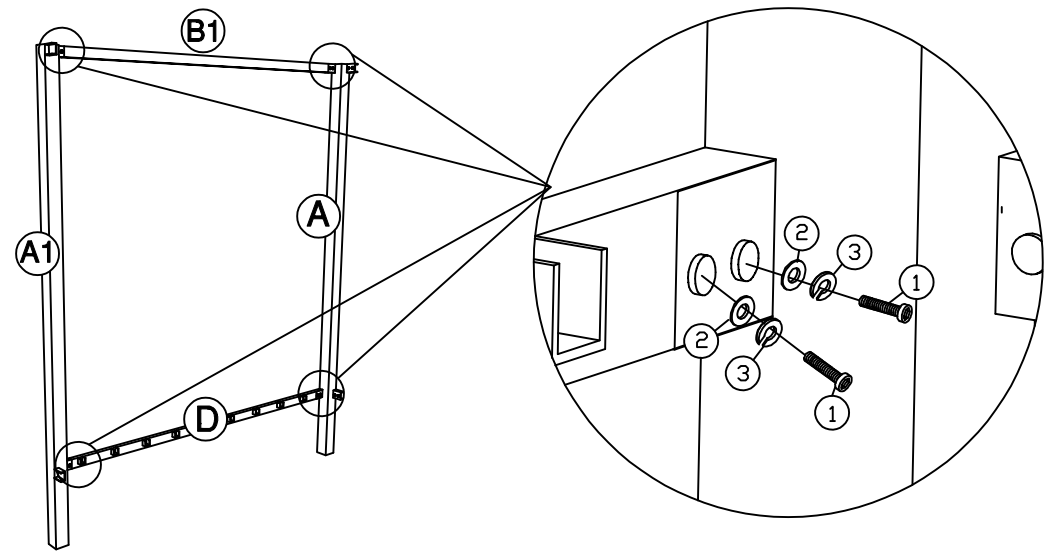
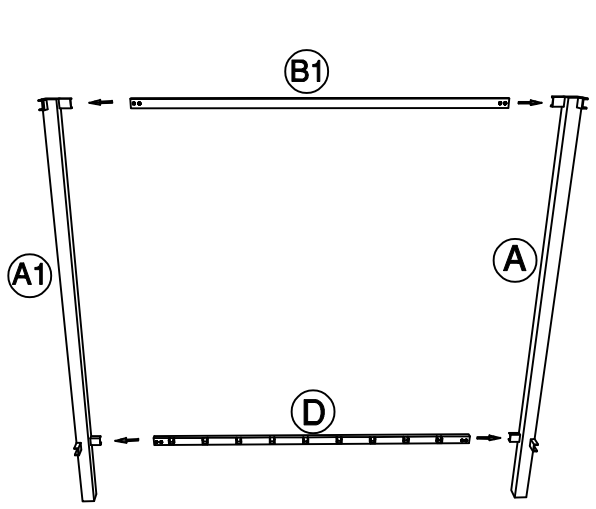
Ⓕ



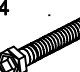


Ⓖ x 9

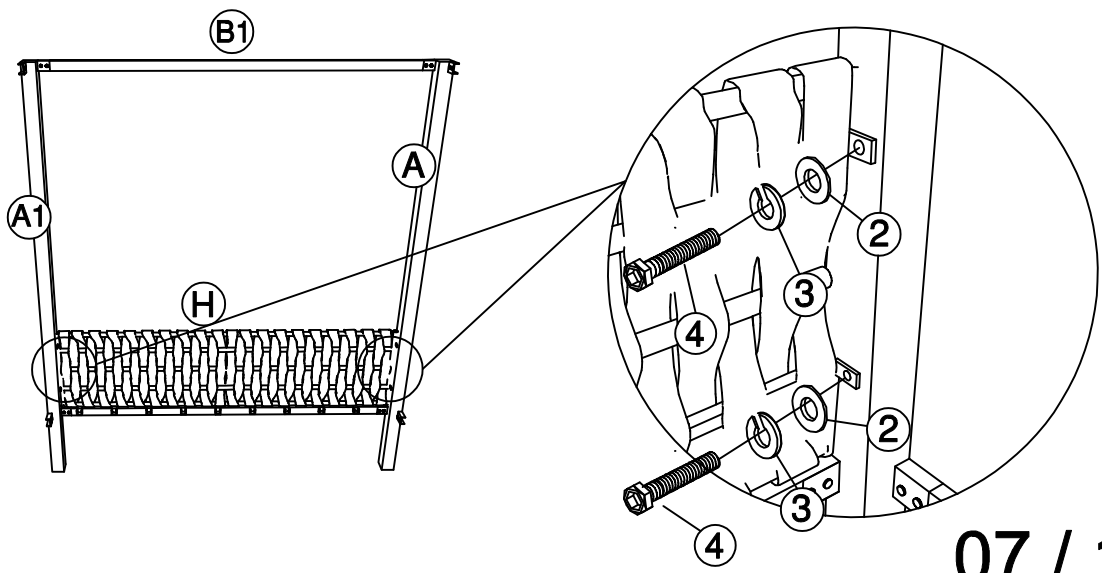
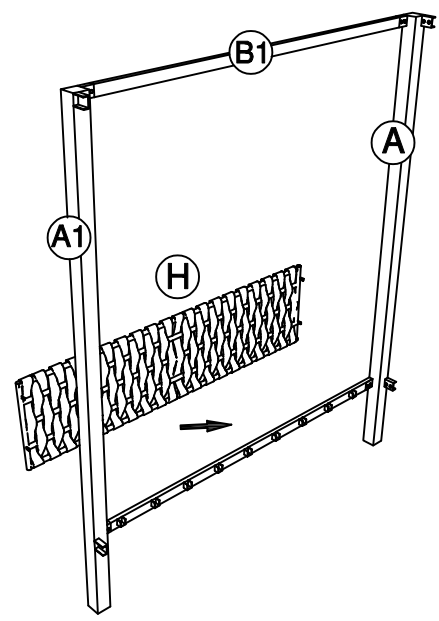
STEP1: Following below illustration

		
8 (PCS)	8 (PCS)	8 (PCS)






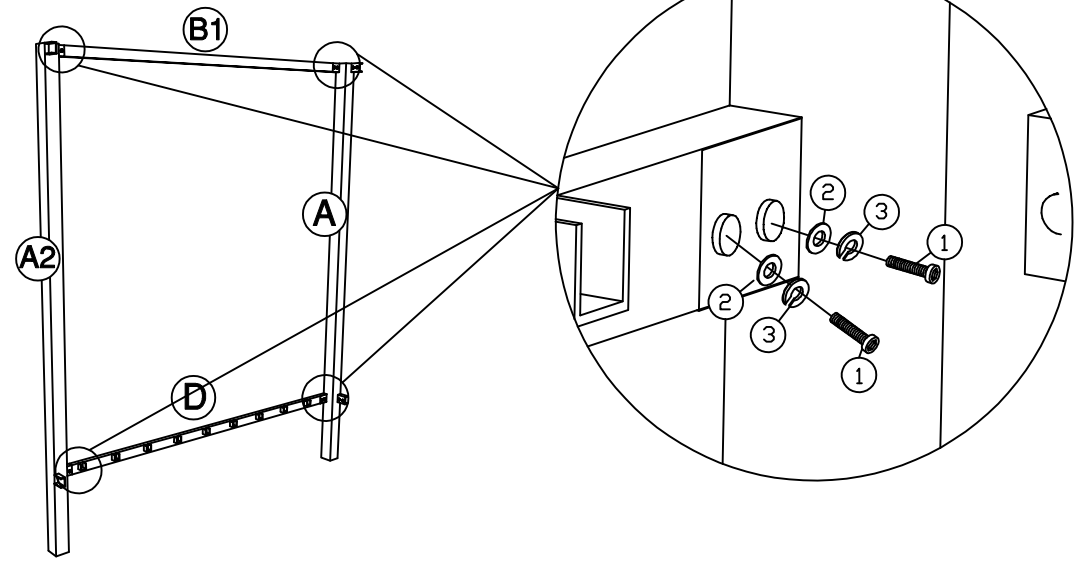
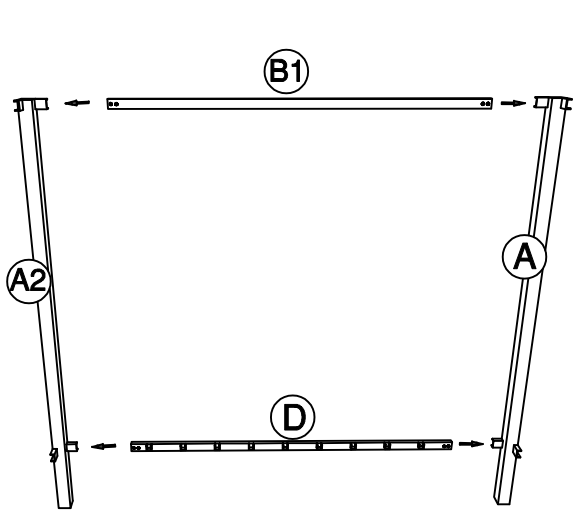
STEP2: Following below illustration

		
4 (PCS)	4 (PCS)	4 (PCS)

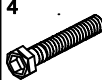




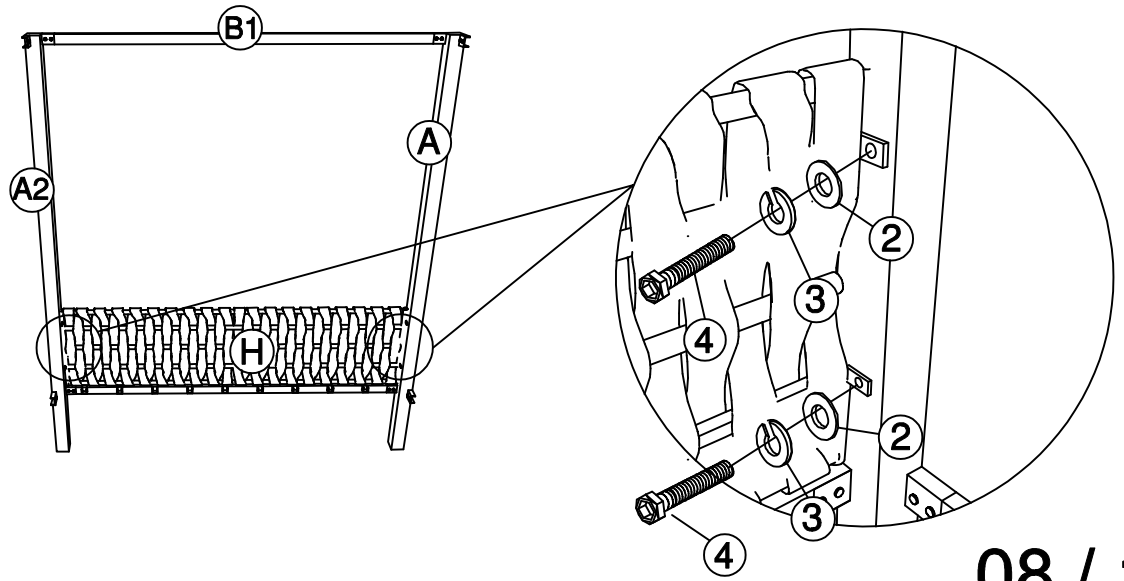
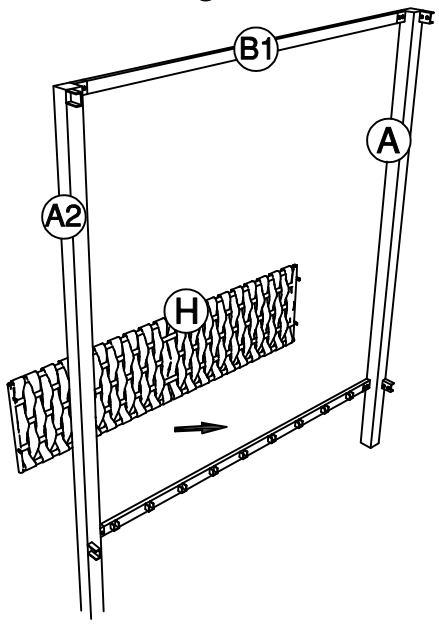
STEP3: Following below illustration

		
8 (PCS)	8 (PCS)	8 (PCS)

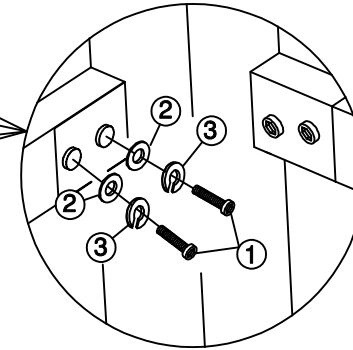
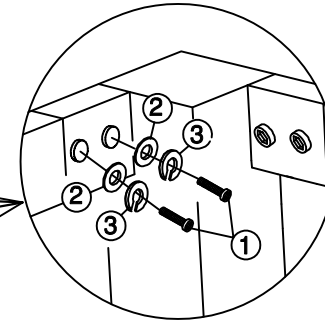
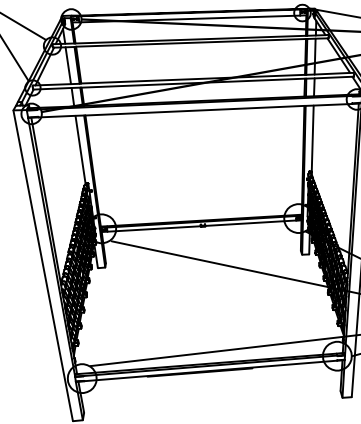
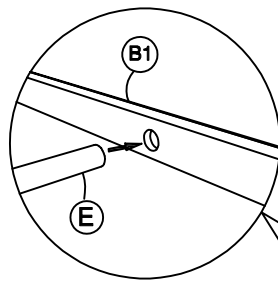
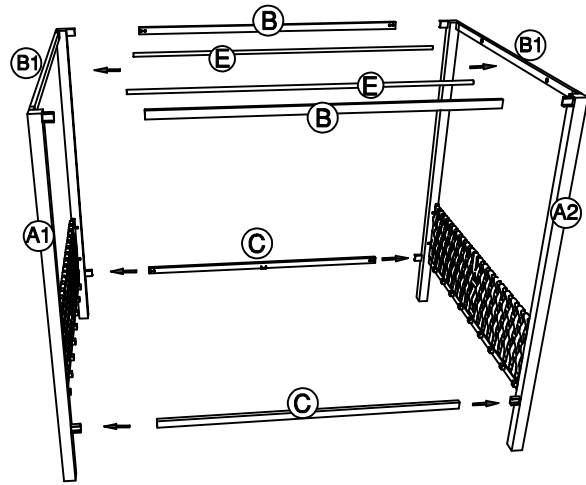





STEP4: Following below illustration

		
4 (PCS)	4 (PCS)	4 (PCS)

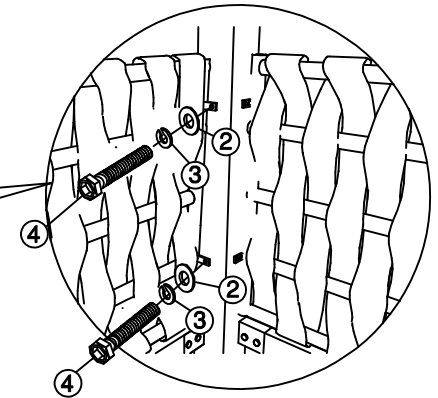
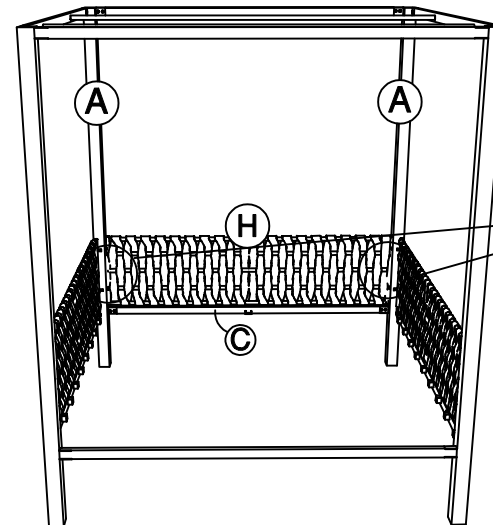
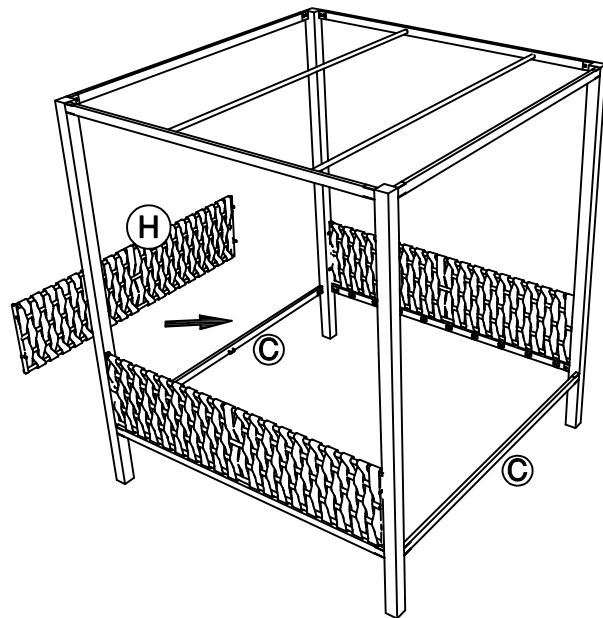





STEP5: Following below illustration



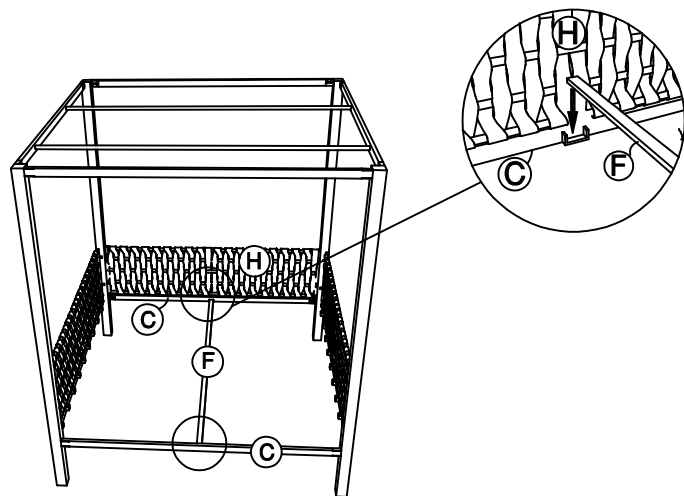
		
16 (PCS)	16 (PCS)	16 (PCS)

STEP6: Following below illustration

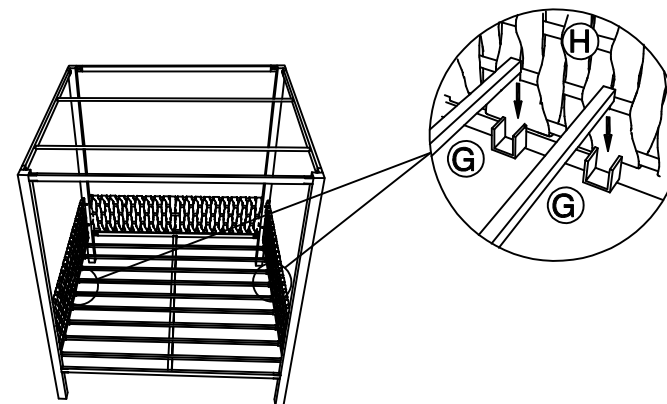


		
4 (PCS)	4 (PCS)	4 (PCS)

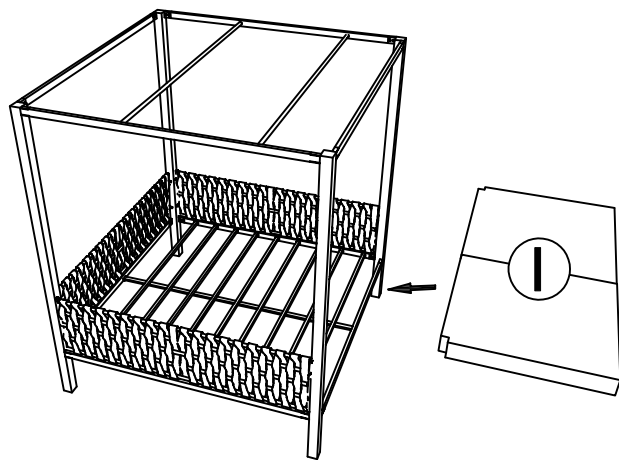
STEP7: Following below illustration



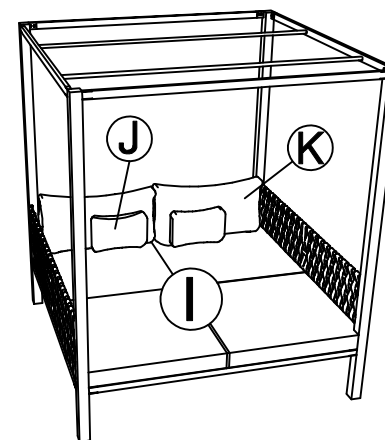
STEP8: Following below illustration



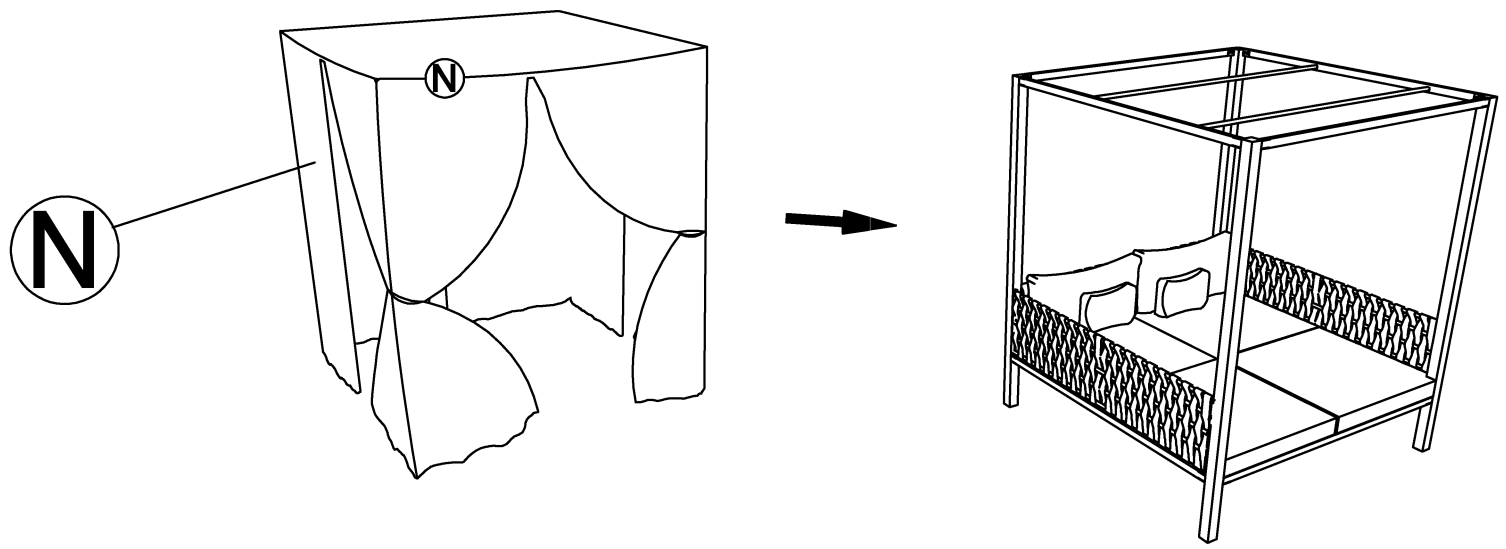
STEP9: Following below illustration



STEP10: Following below illustration



STEP11: Following below illustration



FINISH

