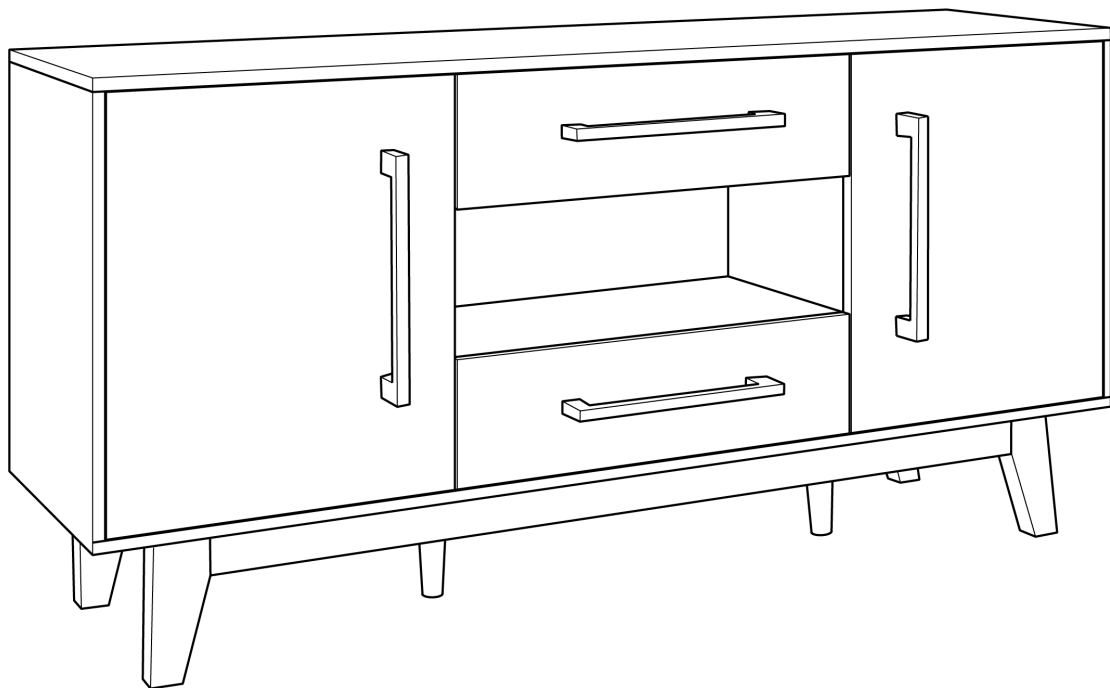


# Tristan Sideboard



**BELLEZE<sup>®</sup>**

**FOLLOW US:**



@bellezefurniture

**CONTACT INFO:**

support@belleze.com  
1-800-682-6376

**ITEM NO. 014-HG-41018**

The instruction booklet contains **IMPORTANT** safety information. Please read it in full and keep it for future reference.

www.belleze.com

Scan this QR Code  
to view our online tutorial

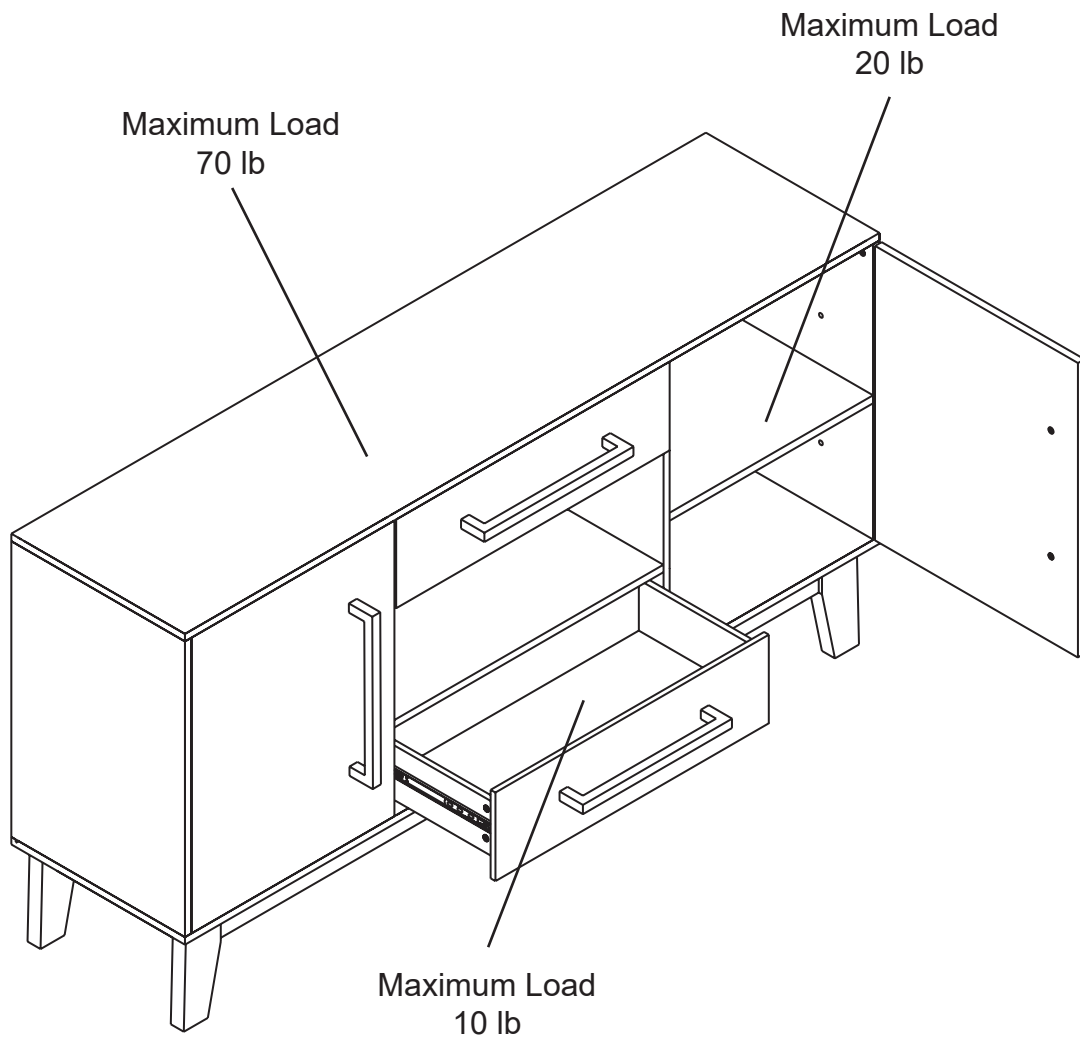


Estimated time for assembly:

**180 mins**



Weight limitations are as follows:





Assemble the furniture on an empty carton, carpet, or rug to prevent scratches or damage.

For safety, please keep pets and children away from the assembly area.

Ensure the product is fully assembled before use. If you are missing any hardware or products, do not use it until you have restored the missing parts.



This furniture requires 2 people for assembly.

Read this instruction manual prior to assembly to familiarize yourself with the various steps.

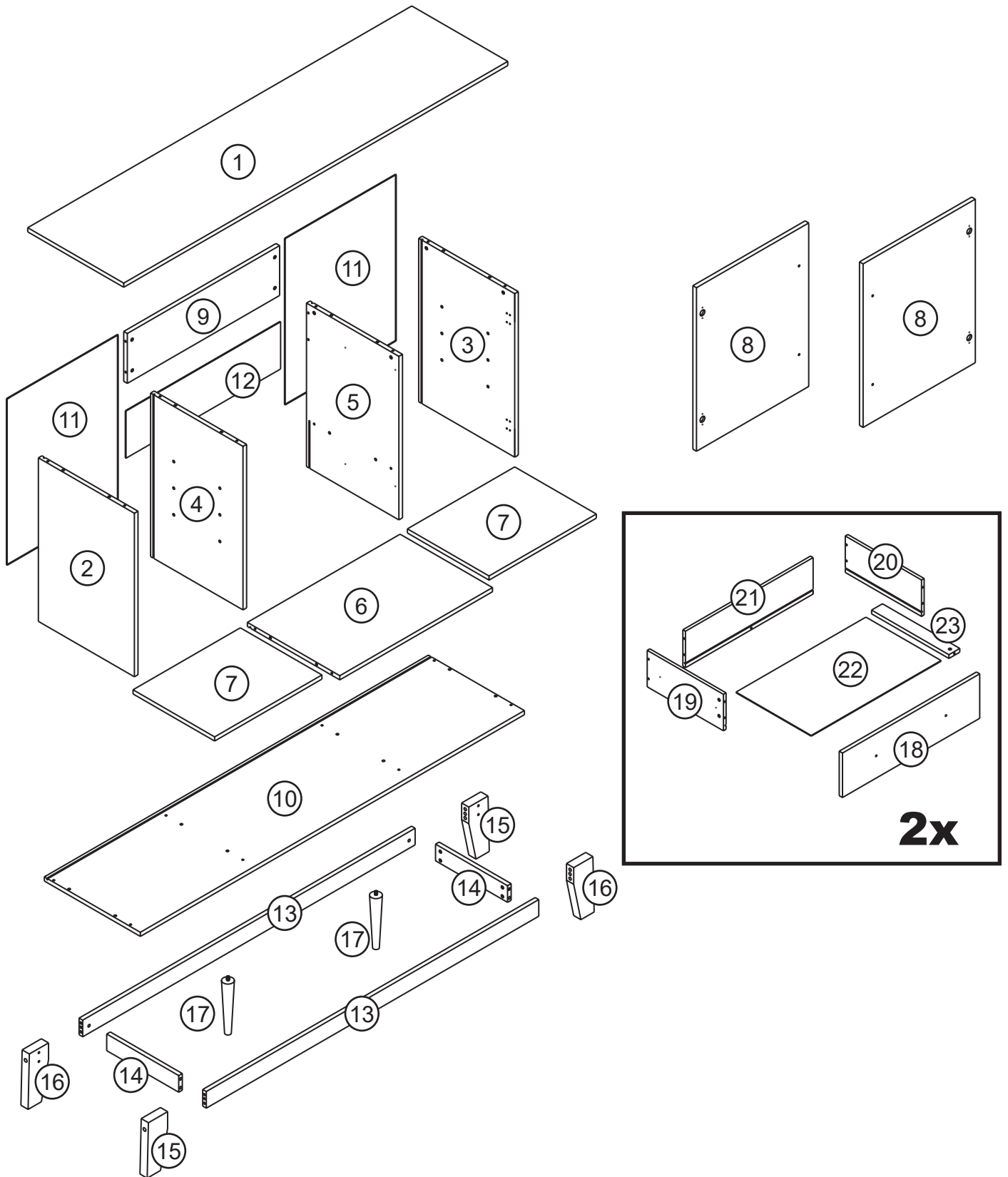
Lay out all components and hardware separately on a flat surface and make sure that no parts are missing or damaged before assembly. Do not destroy or discard any packaging until you are certain that you have all the necessary parts for assembly.

## **CAUTION**

There are small components used in the construction of this product. Loose items should be kept away from pets and children to avoid a choking hazard.

Keep all plastic bags and packaging film away from pets and children to avoid suffocation.

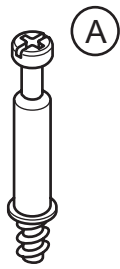
# PACKAGE CONTENTS



# PACKAGE CONTENTS

CODE	DESCRIPTION	QTY
1	Top Panel	1
2	Left Side Panel	1
3	Right Side Panel	1
4	Left Partition Panel	1
5	Right Partition Panel	1
6	Center Storage Shelf Panel	1
7	Adjustable Storage Shelf Panel	2
8	Cabinet Door	2
9	Center Upper Back Panel	1
10	Bottom Panel	1
11	Side Back Panel	2
12	Center Lower Back Panel	1
13	Long Base Panel	2
14	Short Base Panel	2
15	Side Leg #1	2
16	Side Leg #2	2
17	Support Leg	2
18	Drawer Front Panel	2
19	Drawer Left Panel	2
20	Drawer Right Panel	2
21	Drawer Back Panel	2
22	Drawer Bottom Panel	2
23	Drawer Crossbar	2

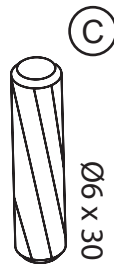
# PACKAGE CONTENTS



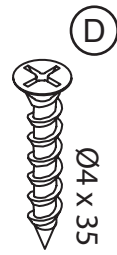
34x



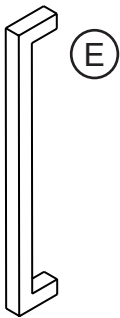
34x



36x



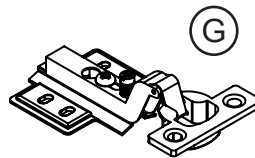
8x



4x



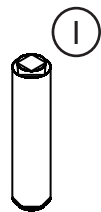
8x



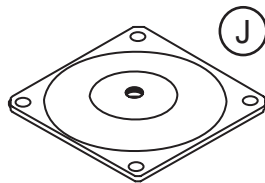
4x



24x



8x



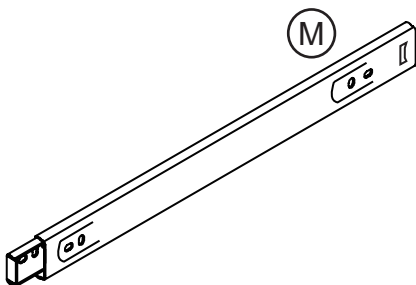
2x



8x



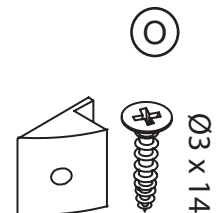
10x



4x

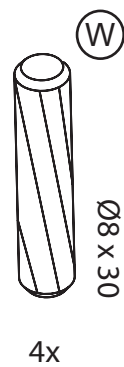
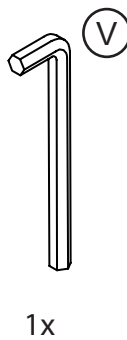
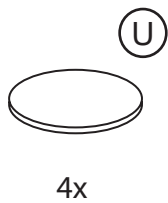
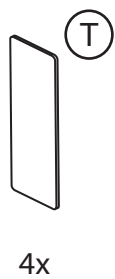
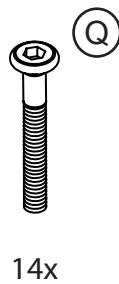
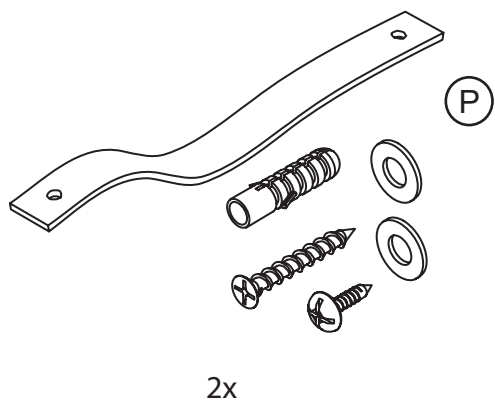


20x

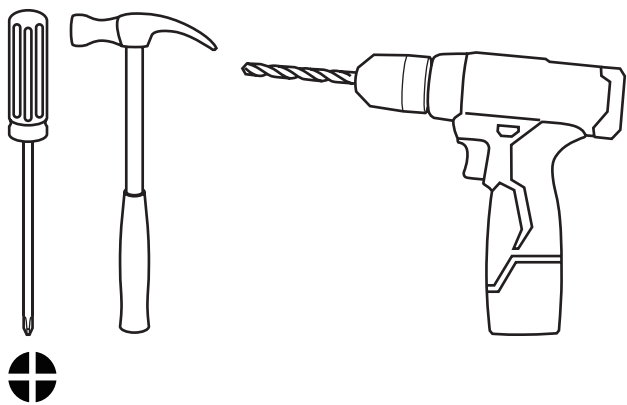


8x

# PACKAGE CONTENTS

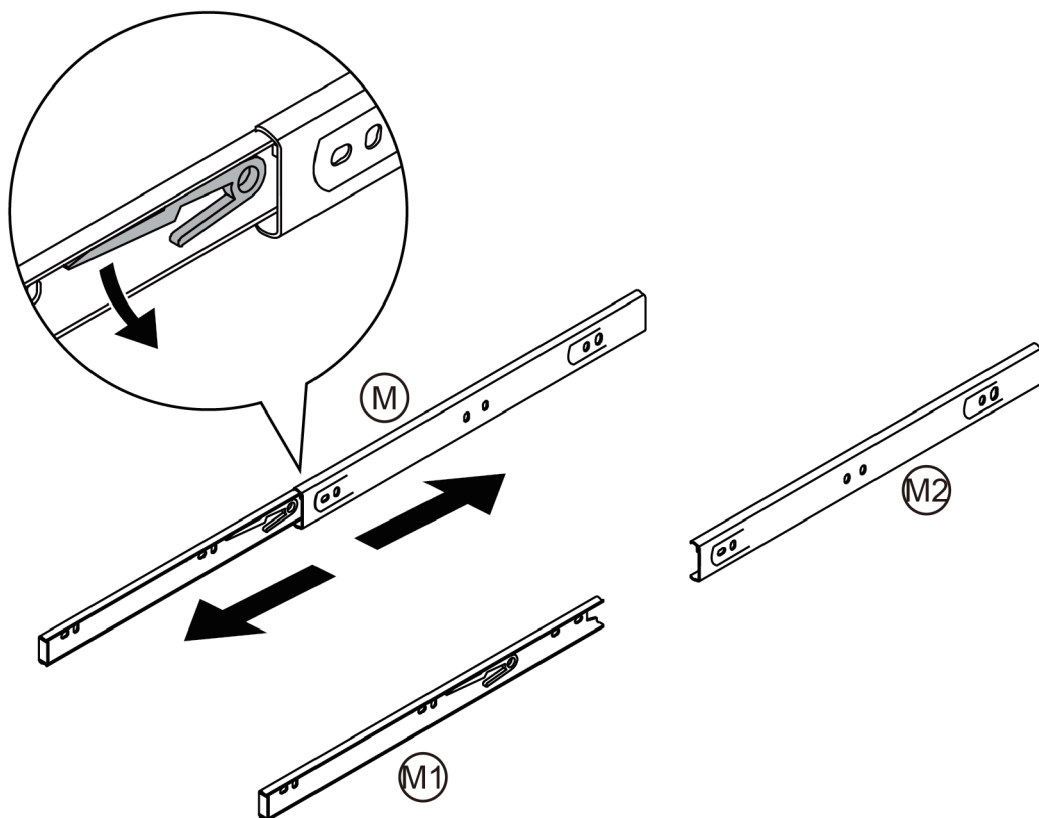


Required tools for assembly (Not included)



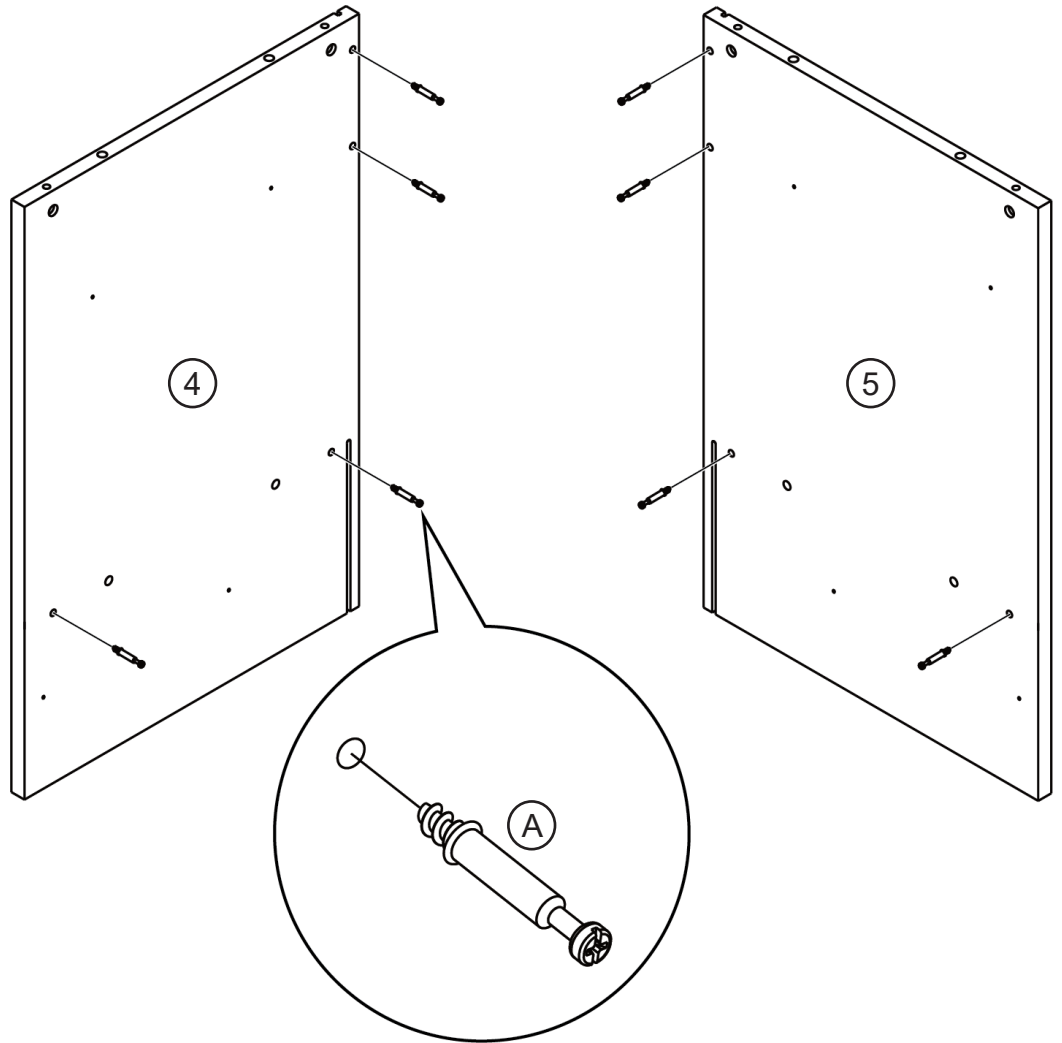
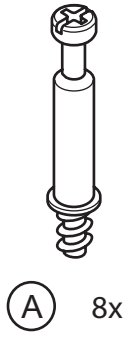
1

Separate the drawer slide brackets from the slides



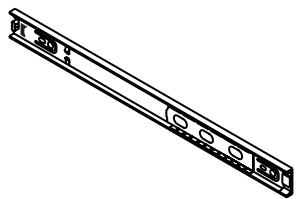
# 2

Attach cam bolts on the partition panels.



# 3

Attach drawer slide brackets to the partition panel.

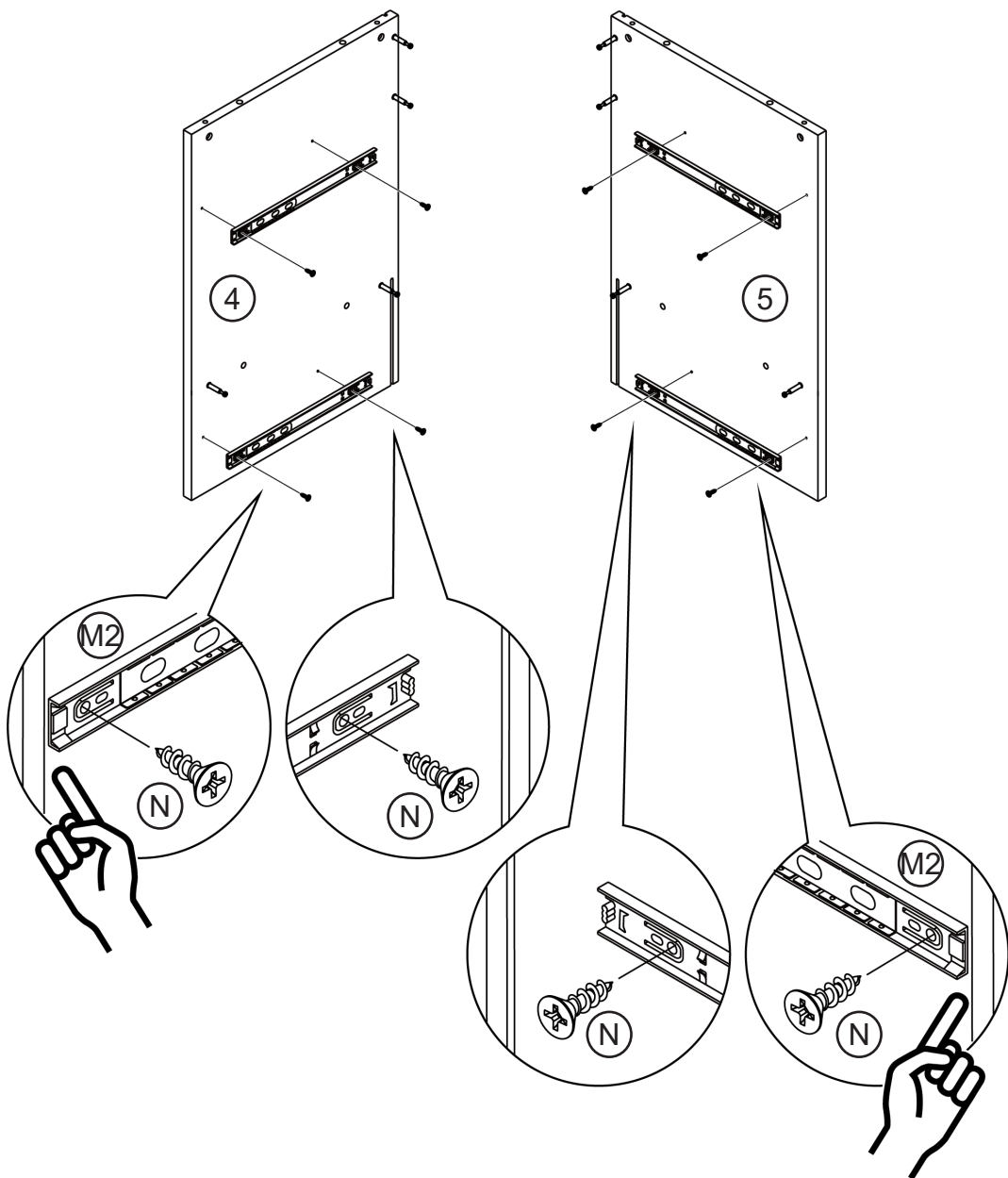


M2 4x



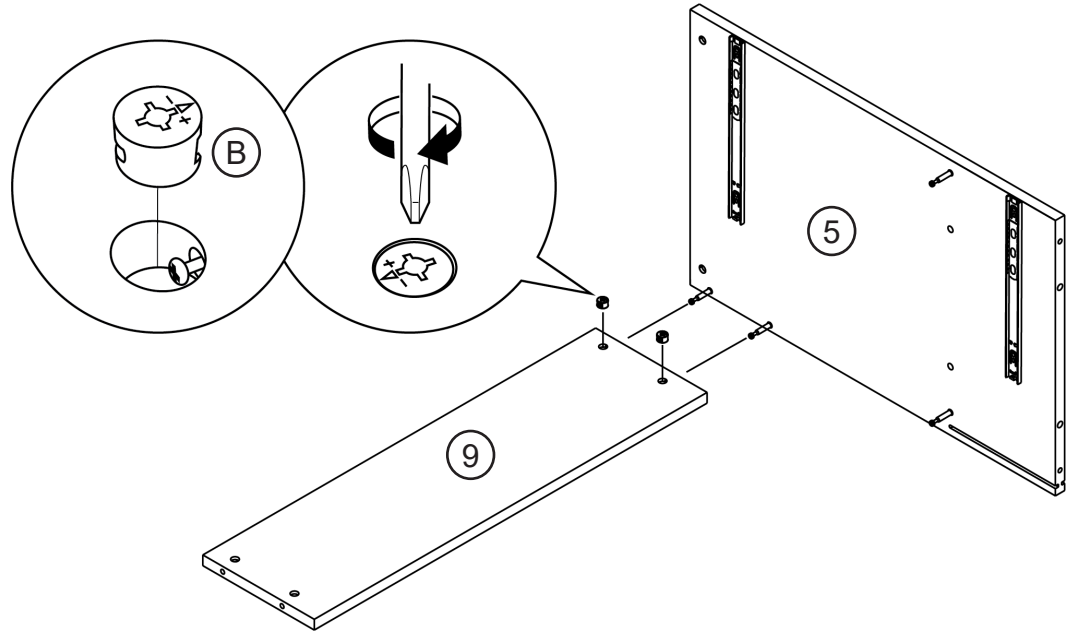
Ø3 x 12

N 8x



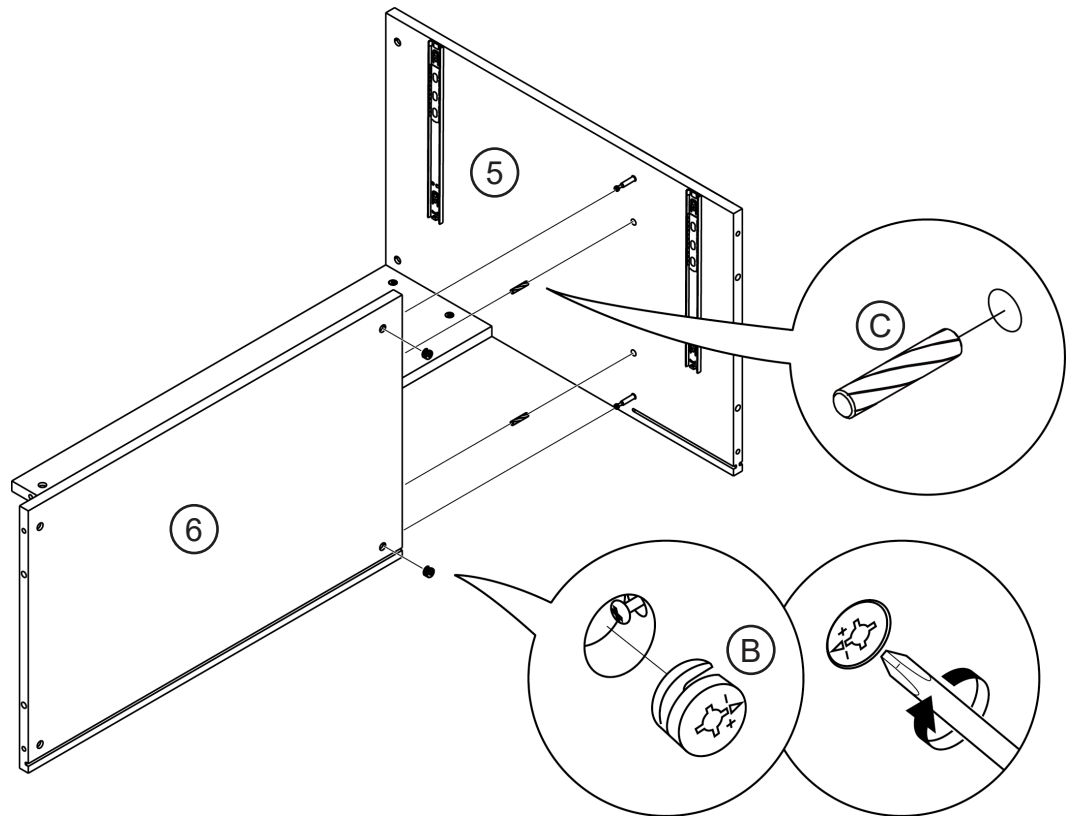
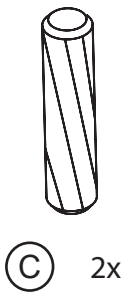
# 4

Attach the center upper back panel to the right partition panel.



# 5

Attach the center storage shelf panel to the right partition panel.

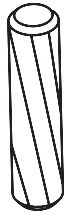


# 6

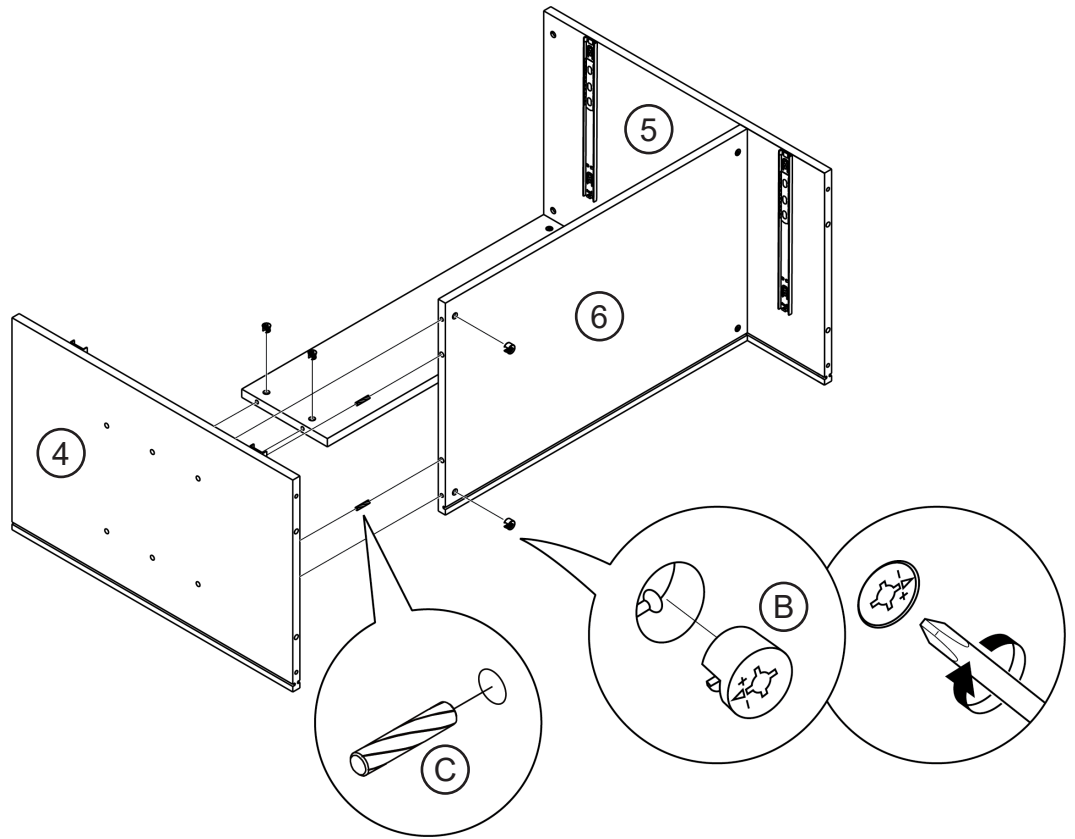
Attach the left partition panel to the center back panel and storage shelf panel.



(B) 4x

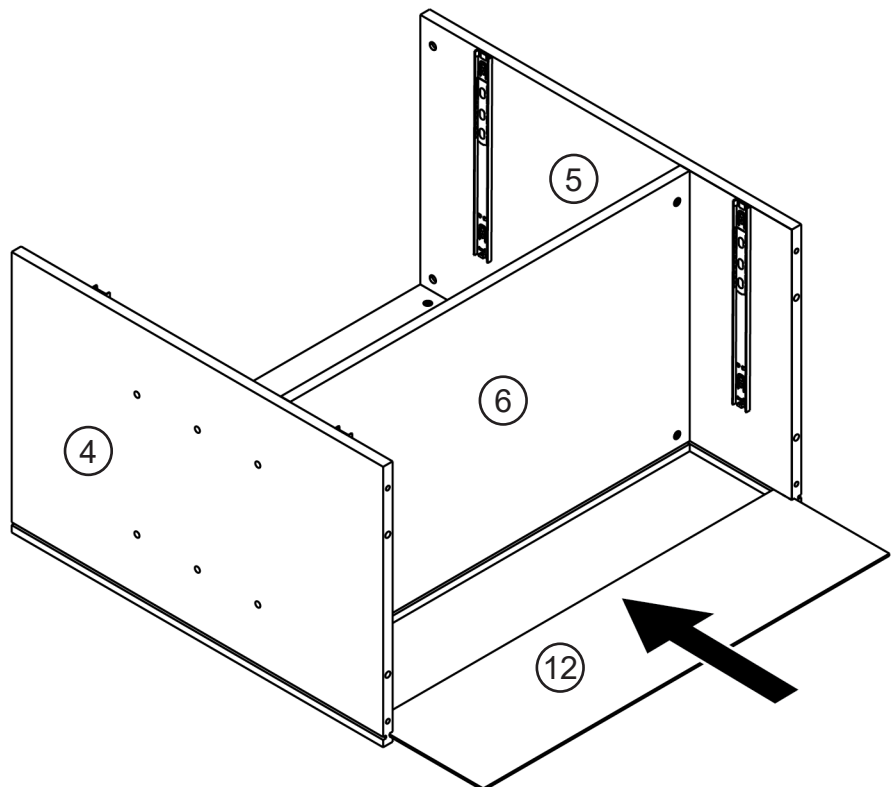


(C) 2x



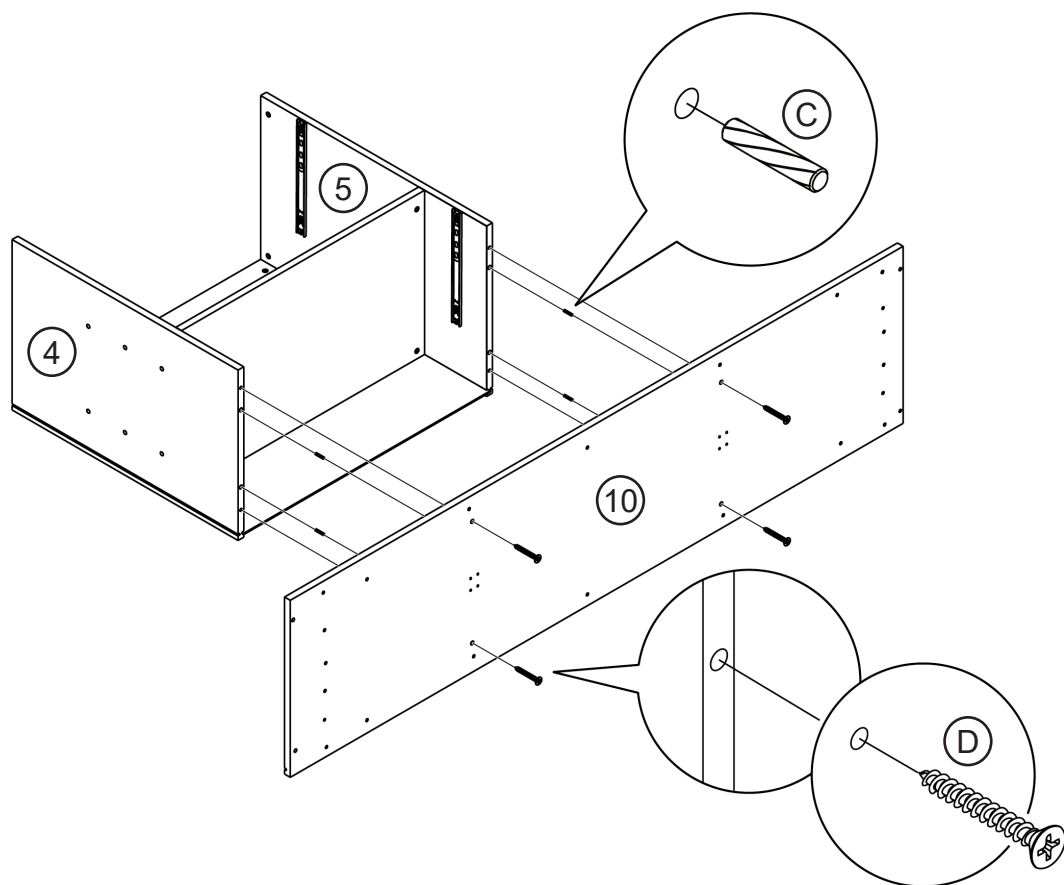
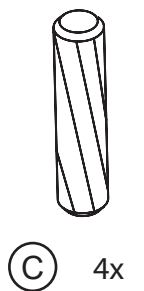
# 7

Slide the lower back panel under the center storage shelf panel.



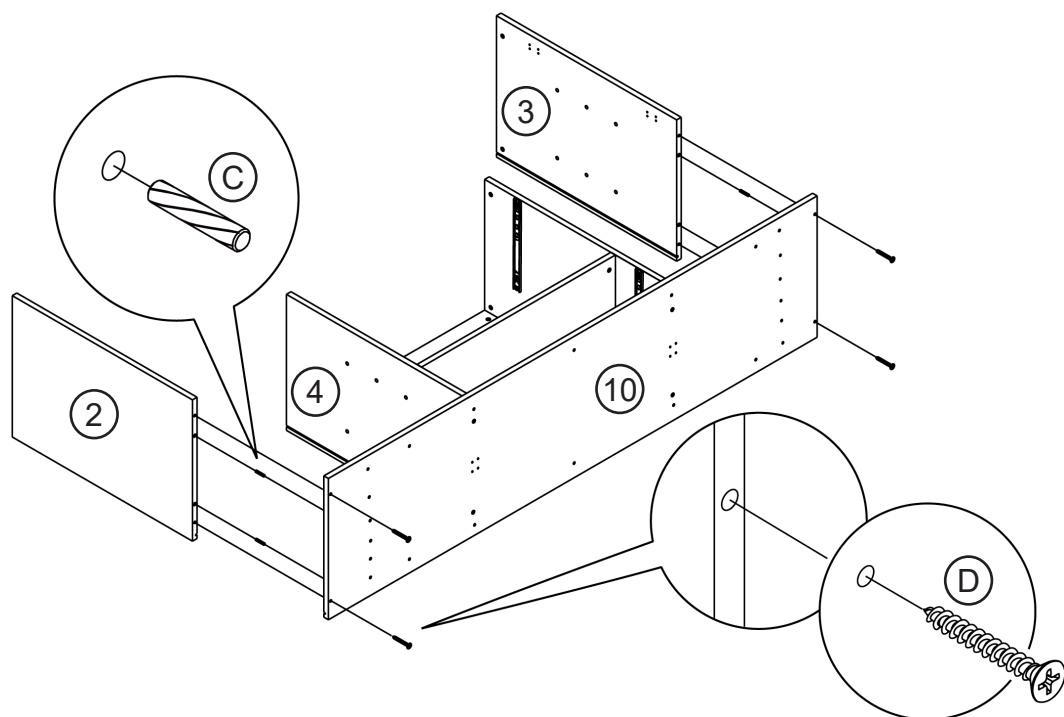
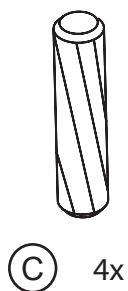
# 8

Attach the bottom panel under the partition panels.



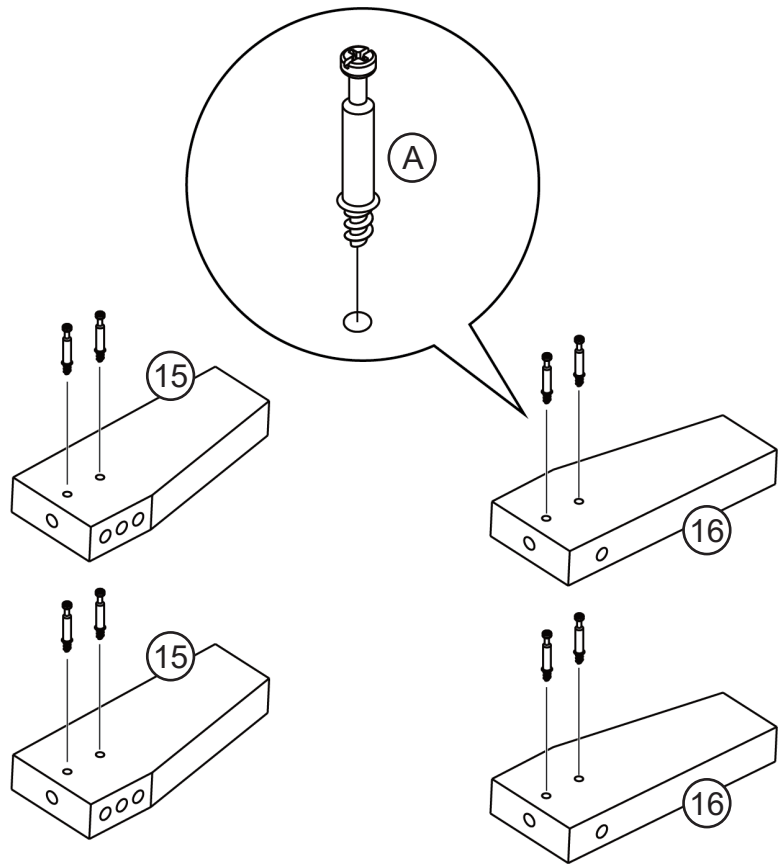
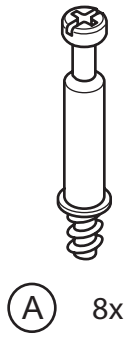
# 9

Attach side panels to the bottom panel.



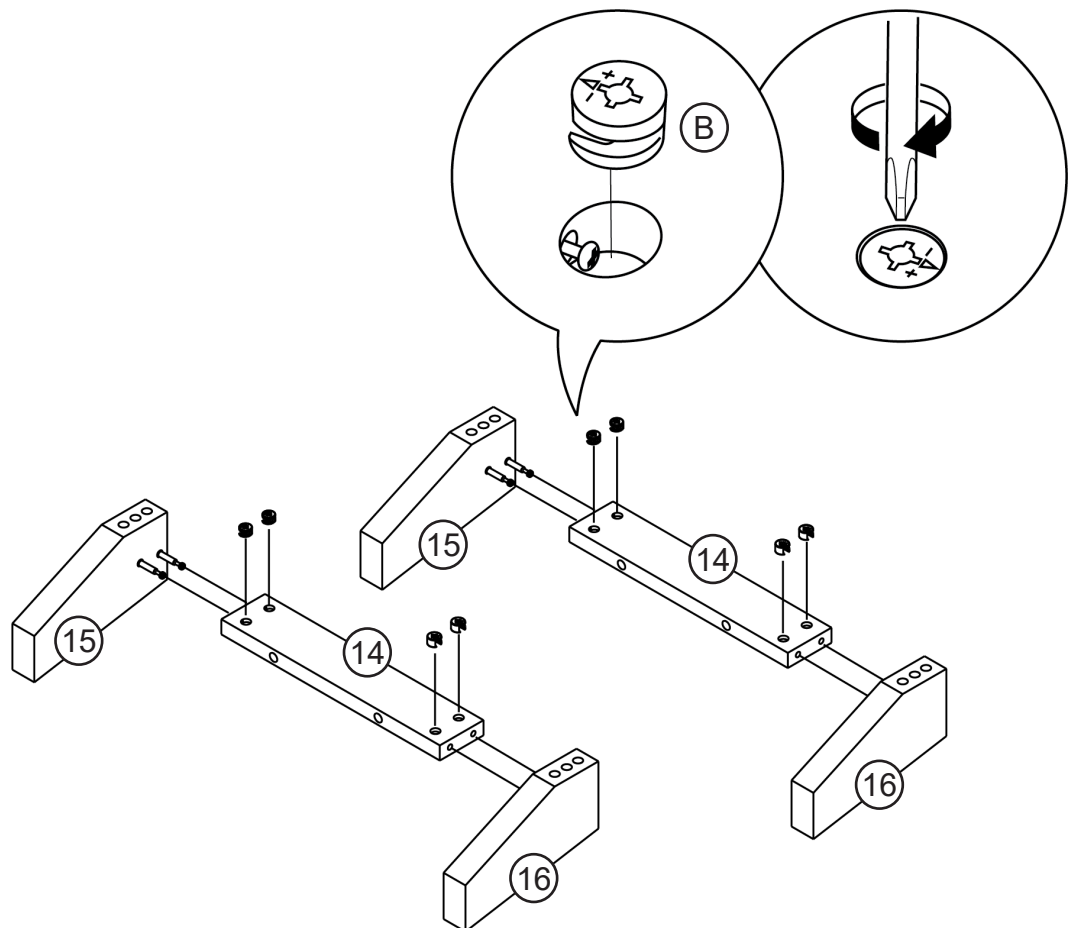
# 10

Attach cam bolts on the side legs.



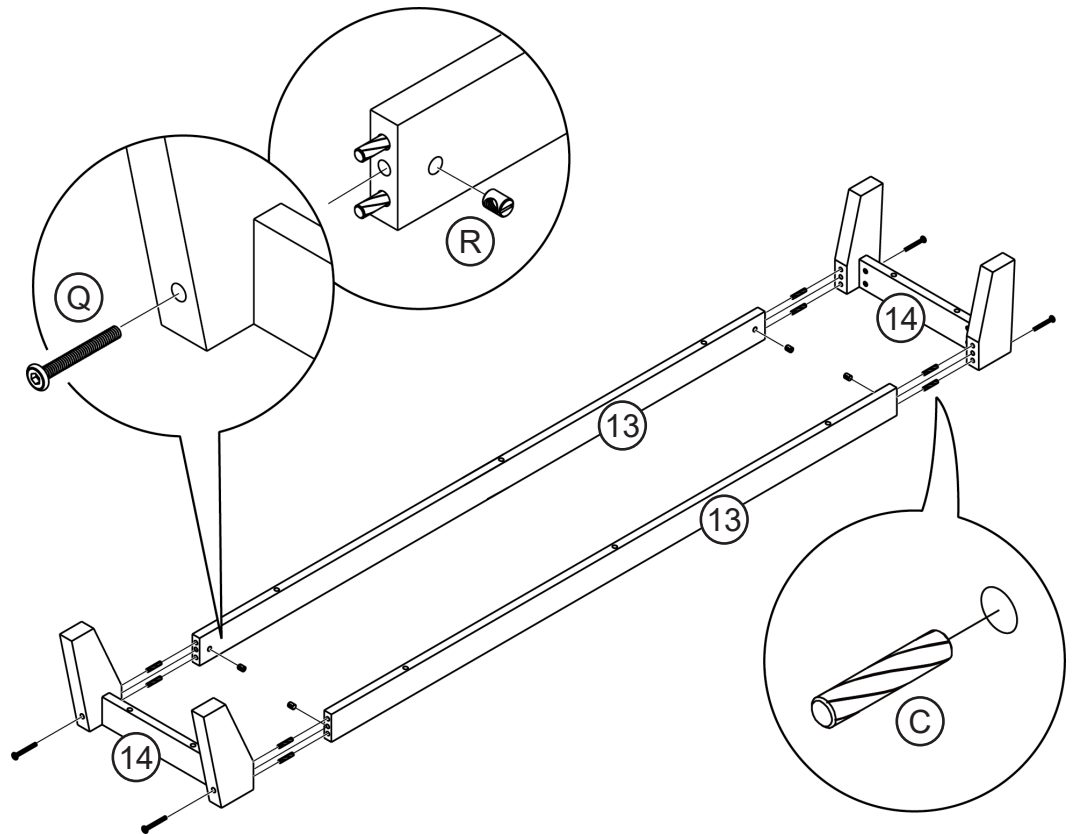
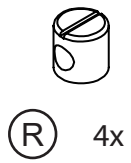
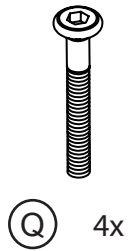
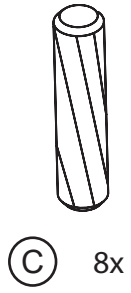
# 11

Attach side legs on the short base panels.



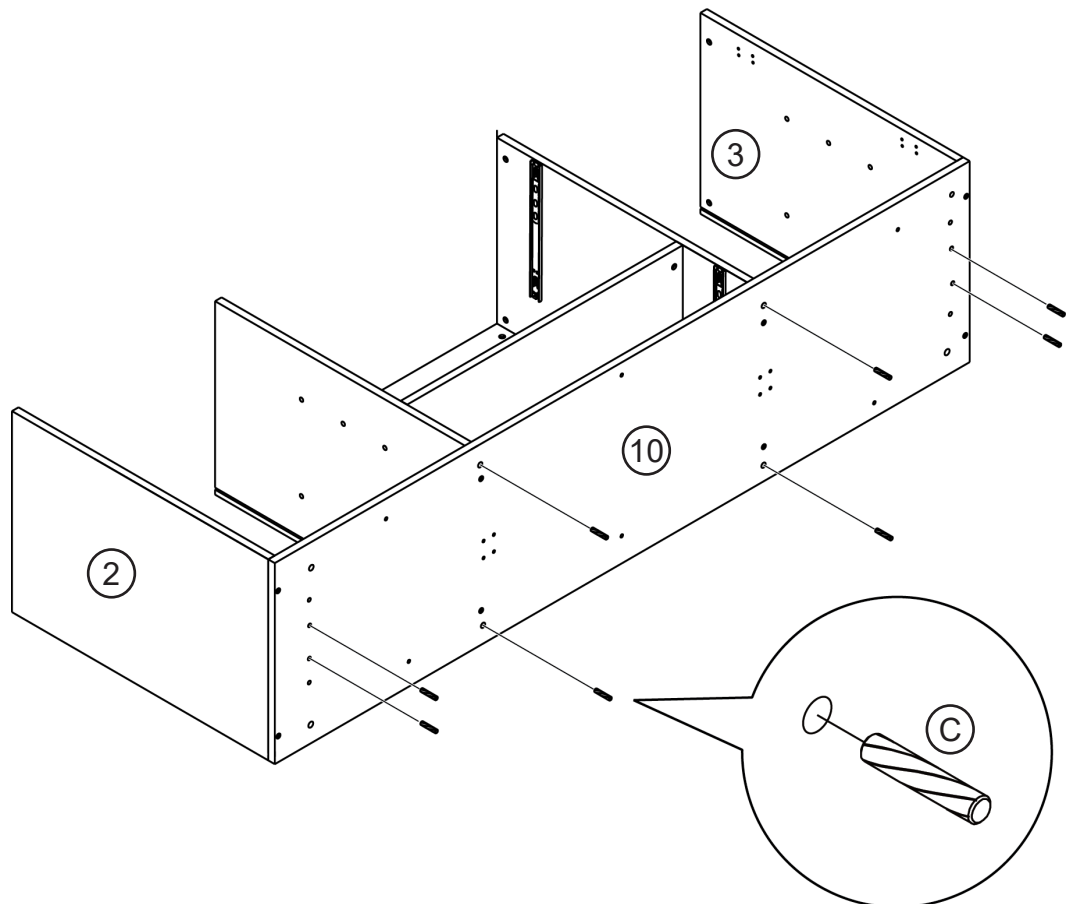
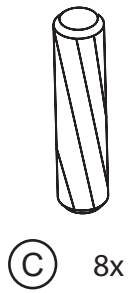
# 12

Attach side legs to the long base panels.



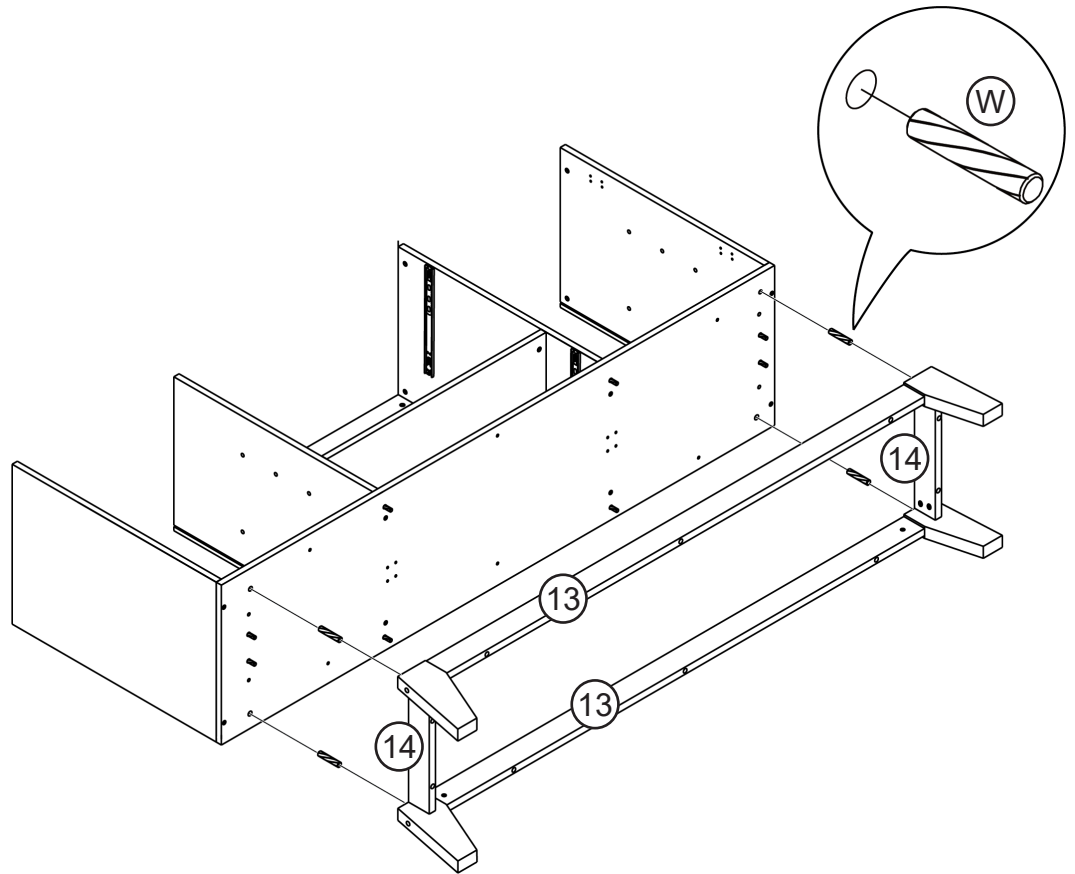
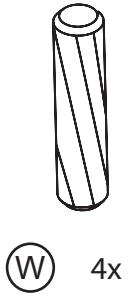
# 13

Attach wood dowels underneath the bottom panel.



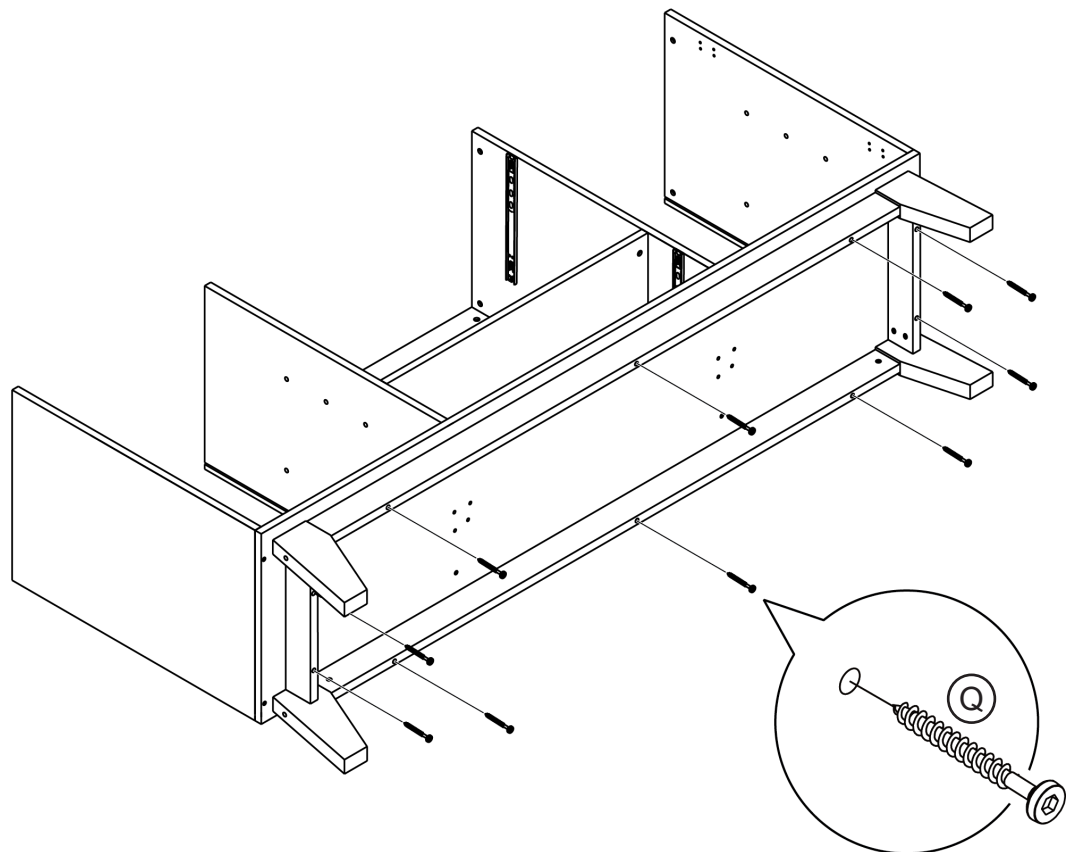
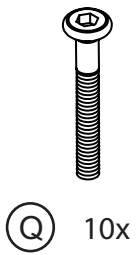
# 14

Attach the base under the bottom panel.



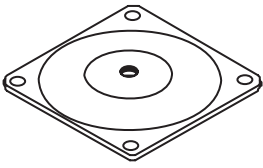
# 15

Secure the base to the bottom panel.



# 16

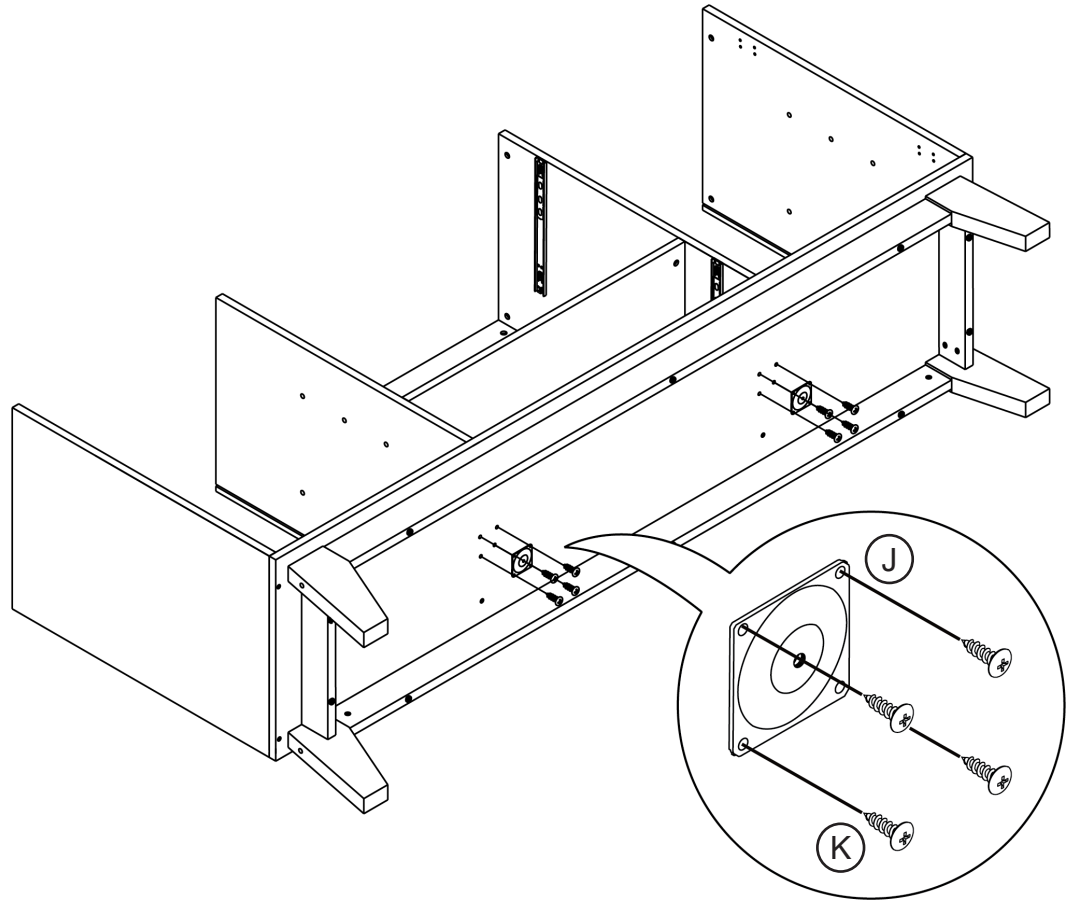
Attach two center support legs bracket on the bottom panel.



(J) 2x

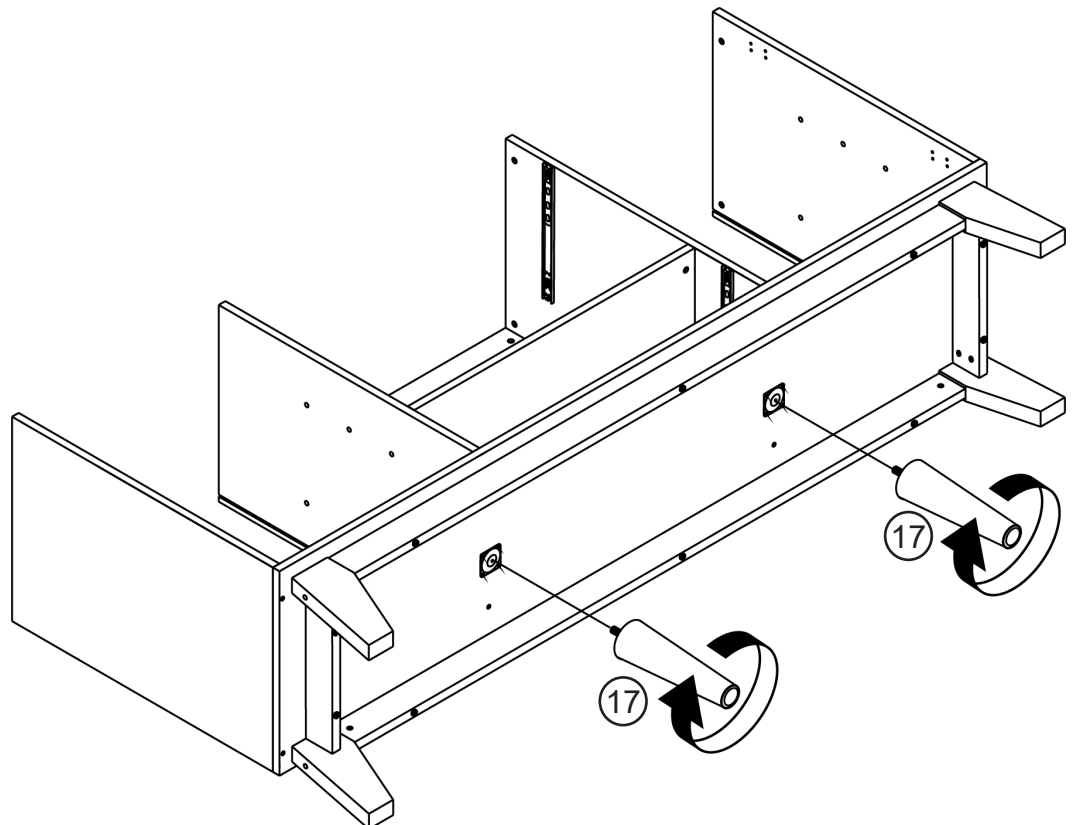


(K) 8x



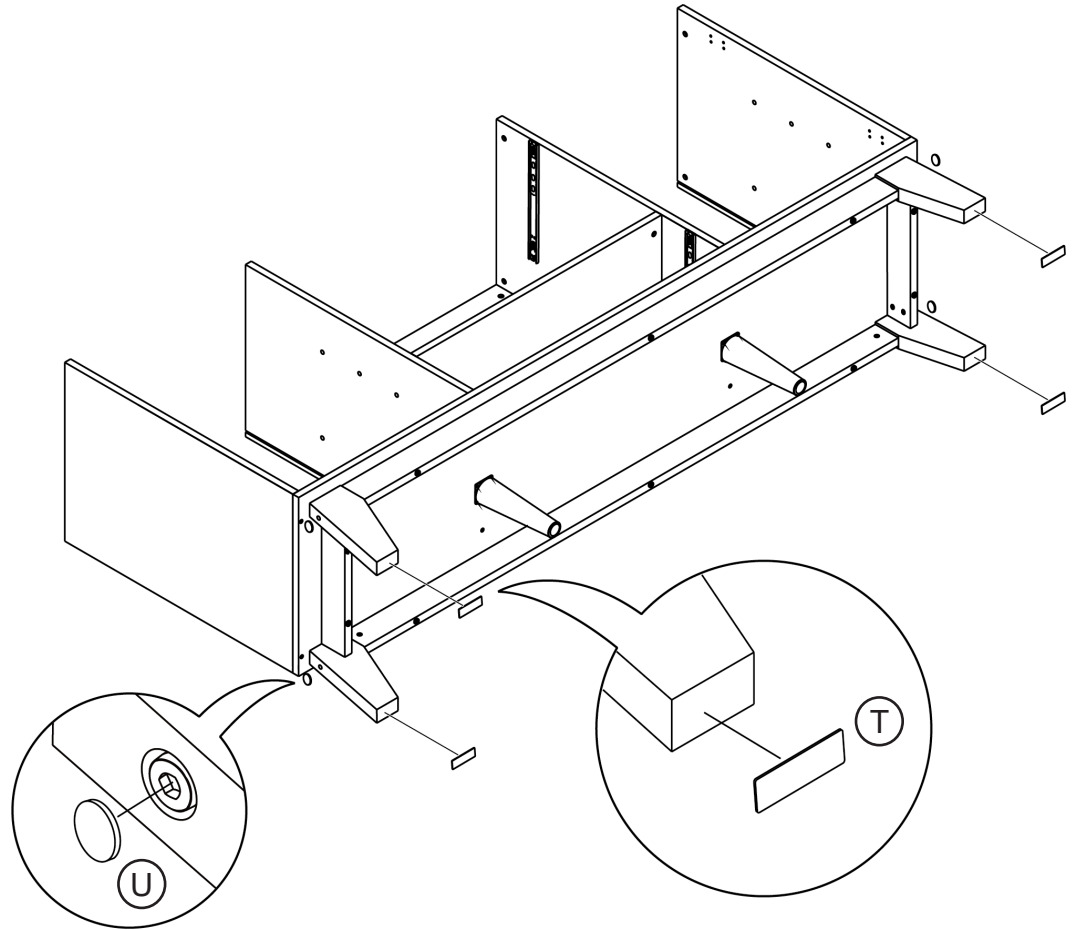
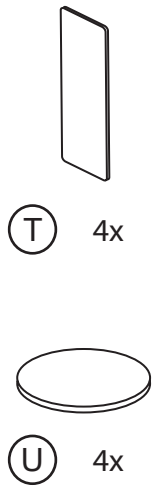
# 17

Attach support legs under the bottom panel.



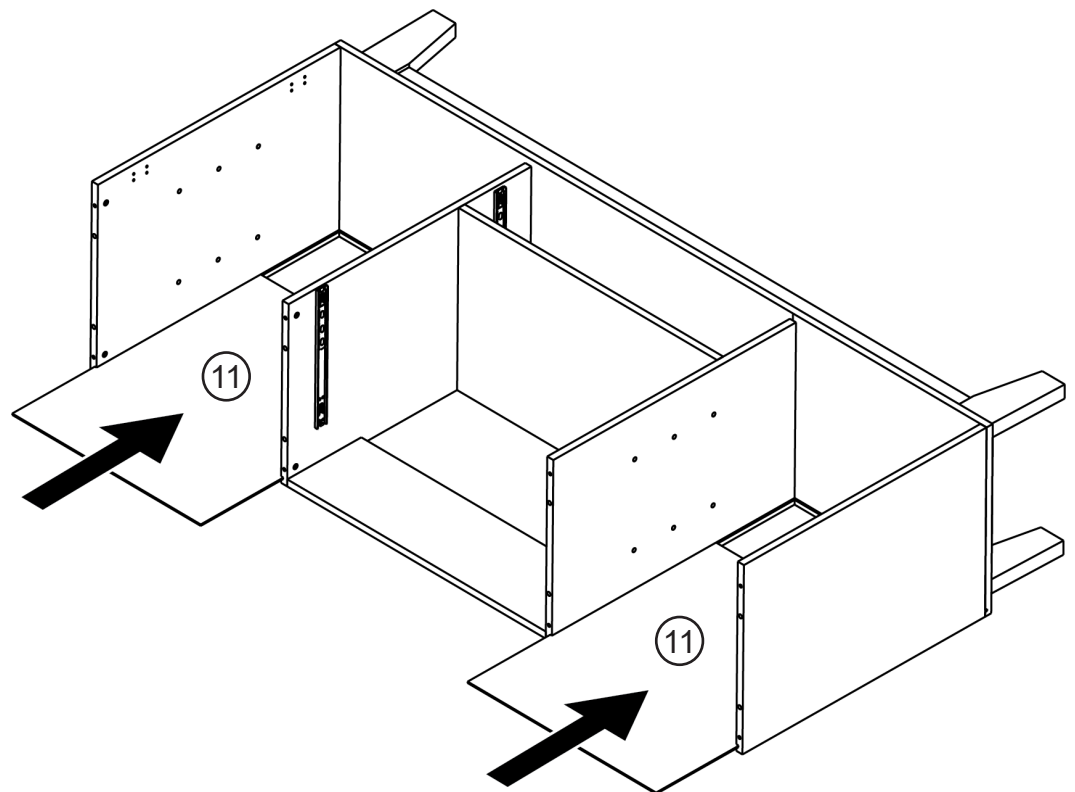
# 18

Attach protective pad under the legs and cover the bolts on the legs.



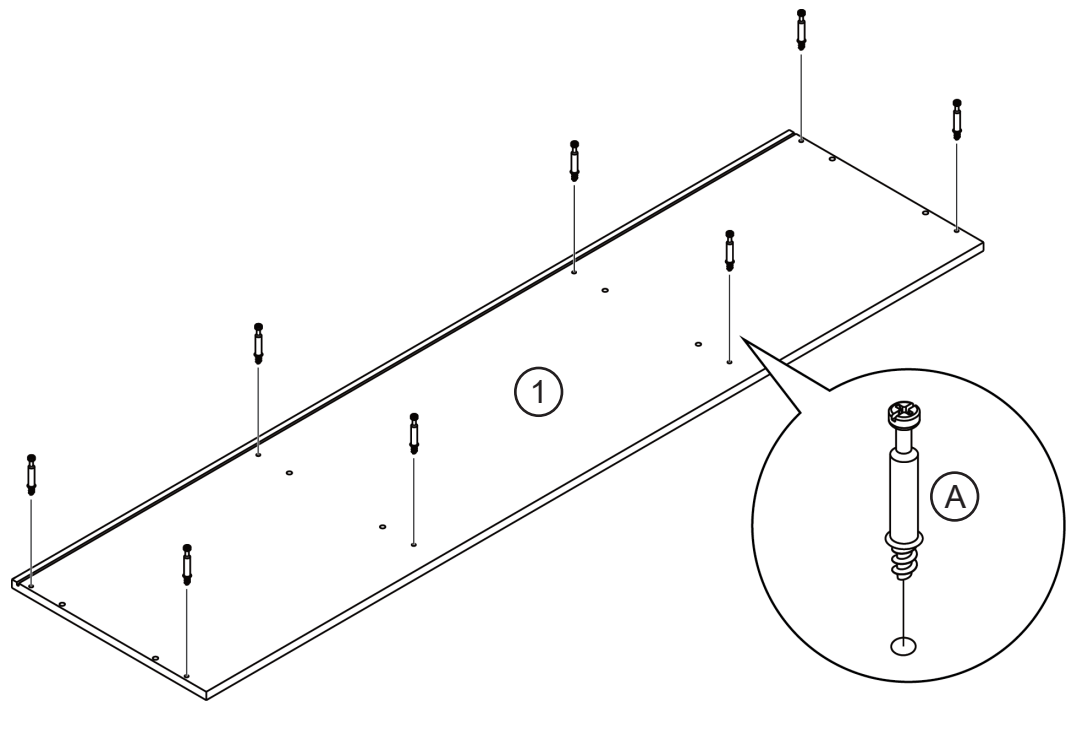
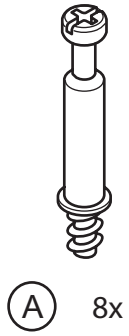
# 19

Slide the side back panels into the sideboard.



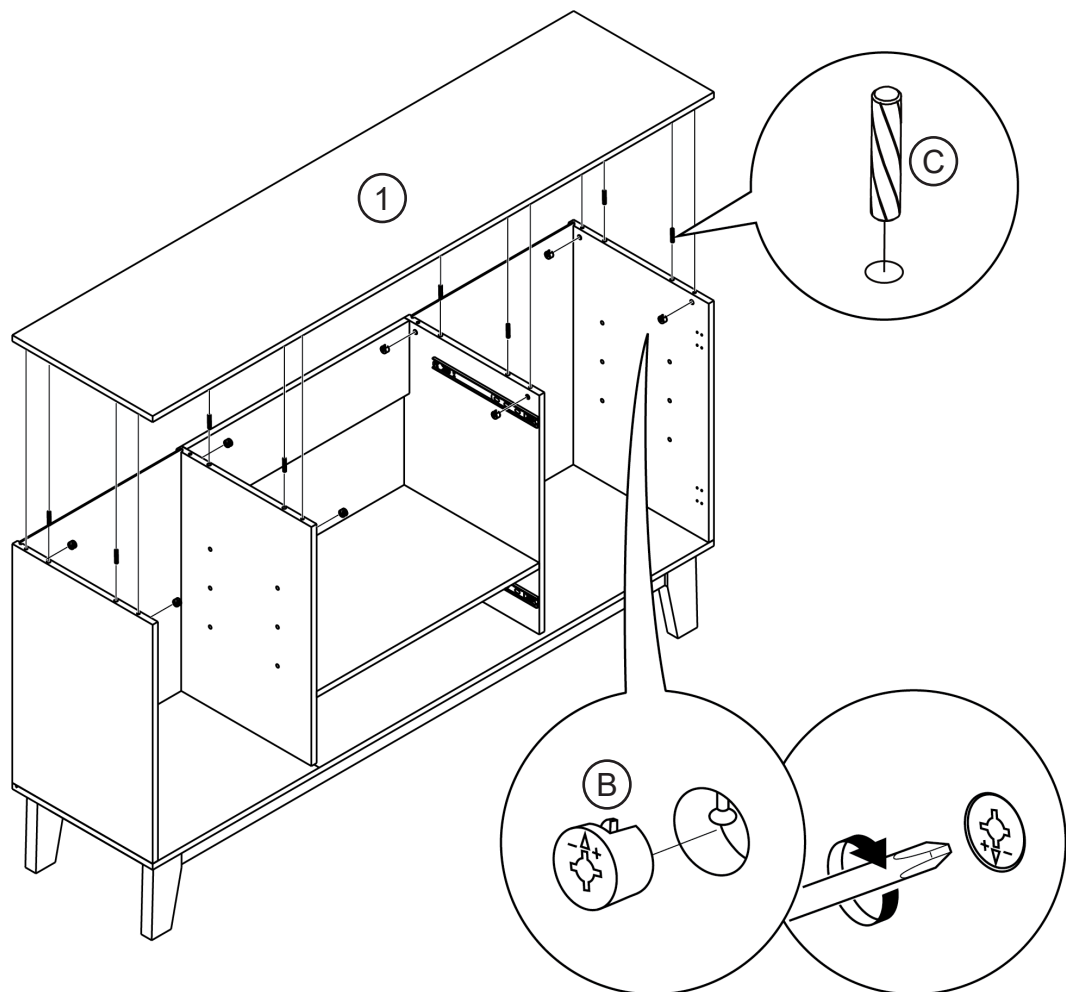
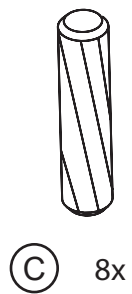
# 20

Attach cam bolts underneath the top panel.



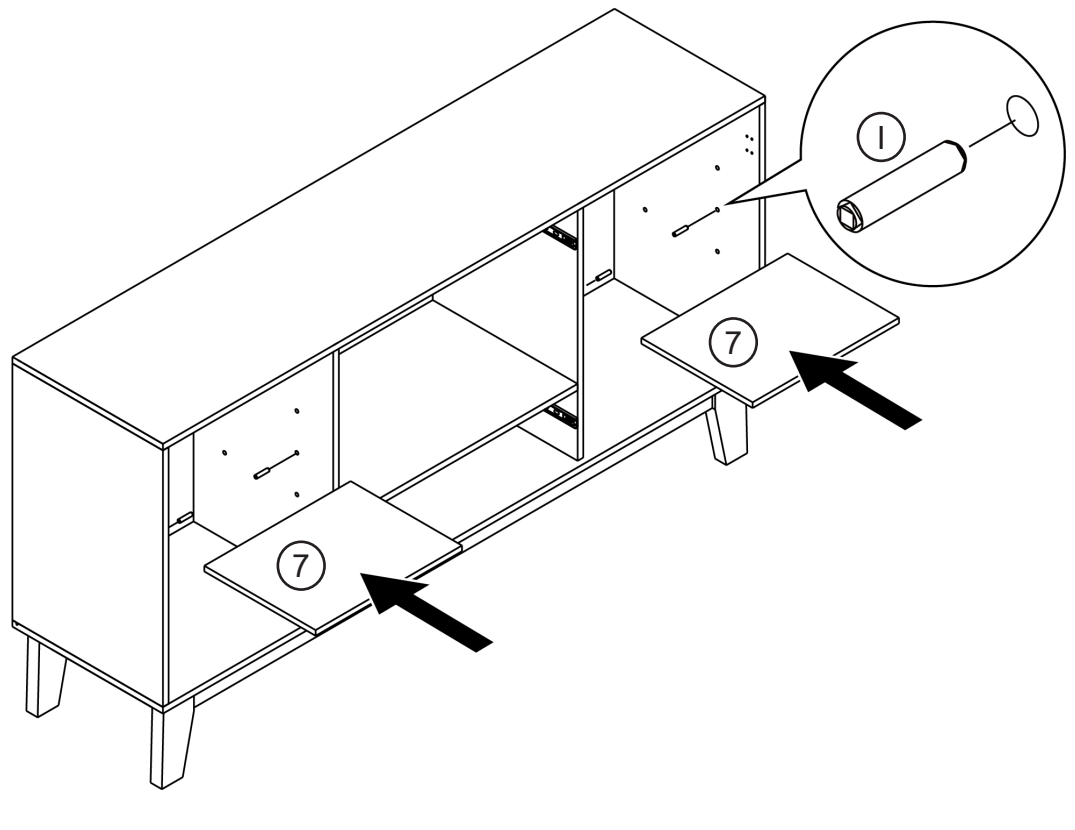
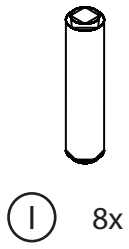
# 21

Attach the top panel to the sideboard.



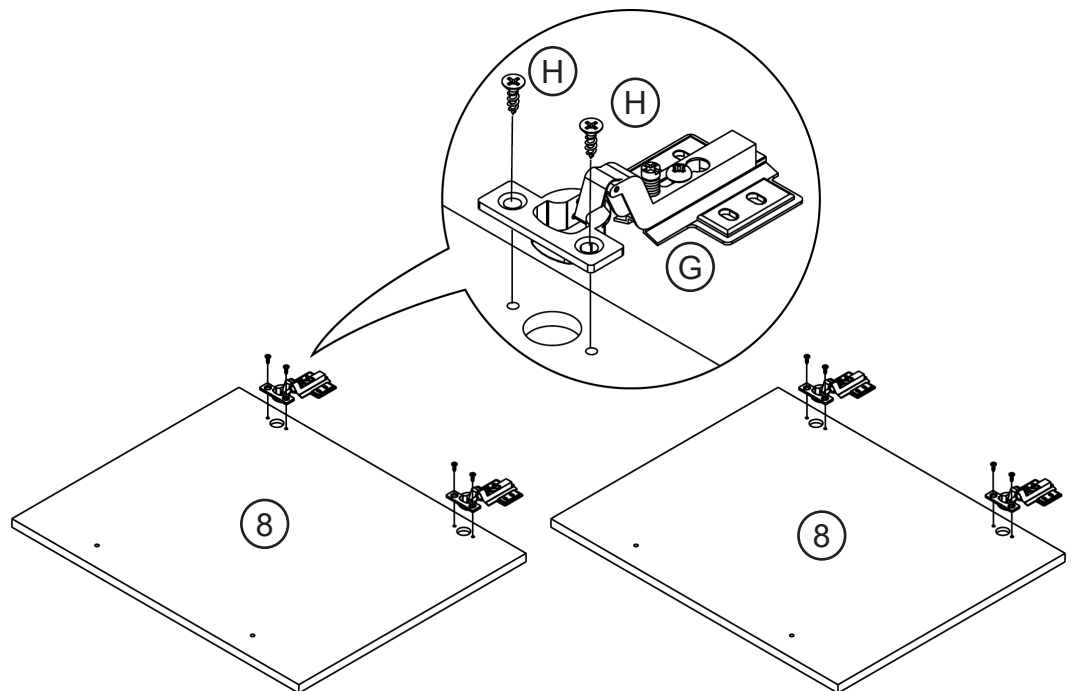
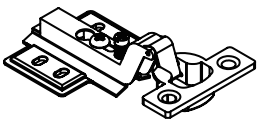
# 22

Attach shelf pegs and put on the side storage boards.



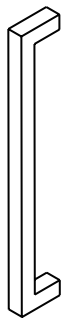
# 23

Attach door hinges to the cabinet doors.



# 24

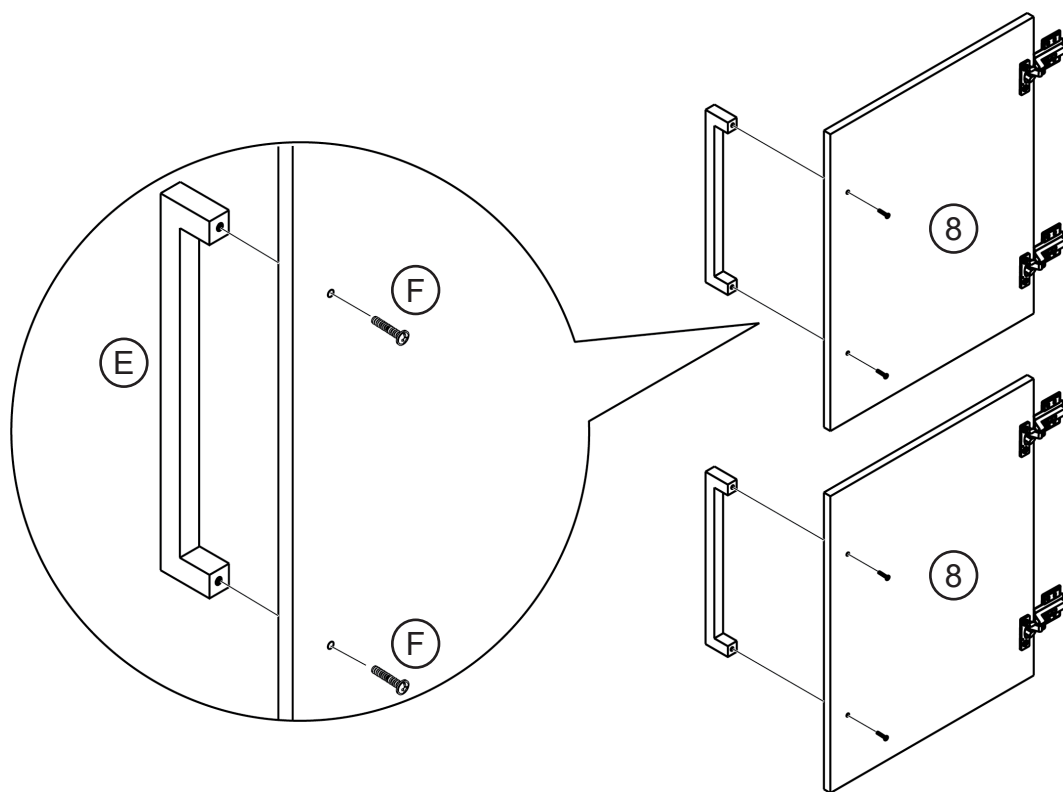
Attach door handles to the cabinet doors.



(E) 2x



(F) 4x

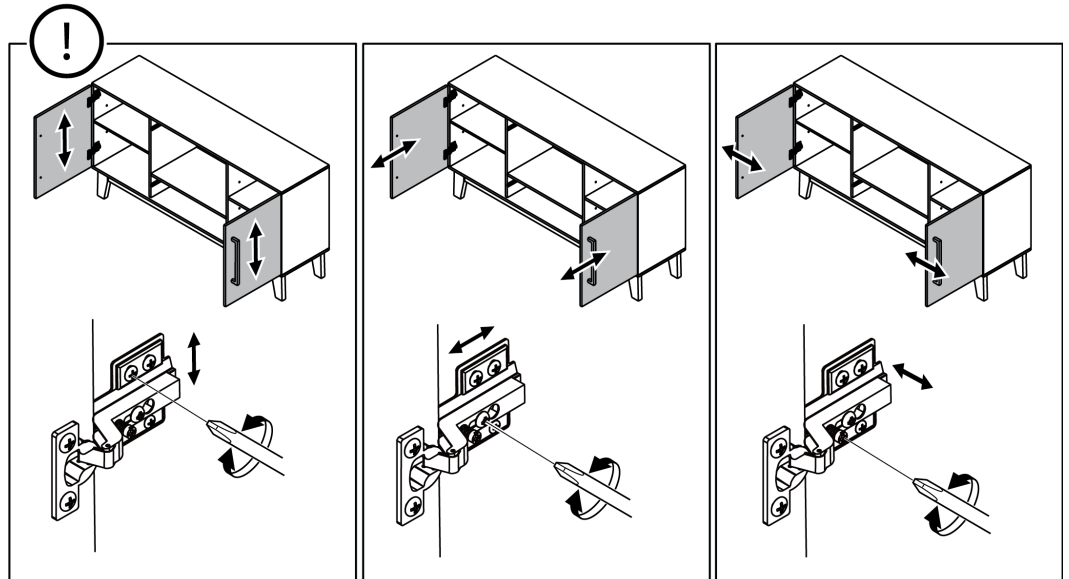
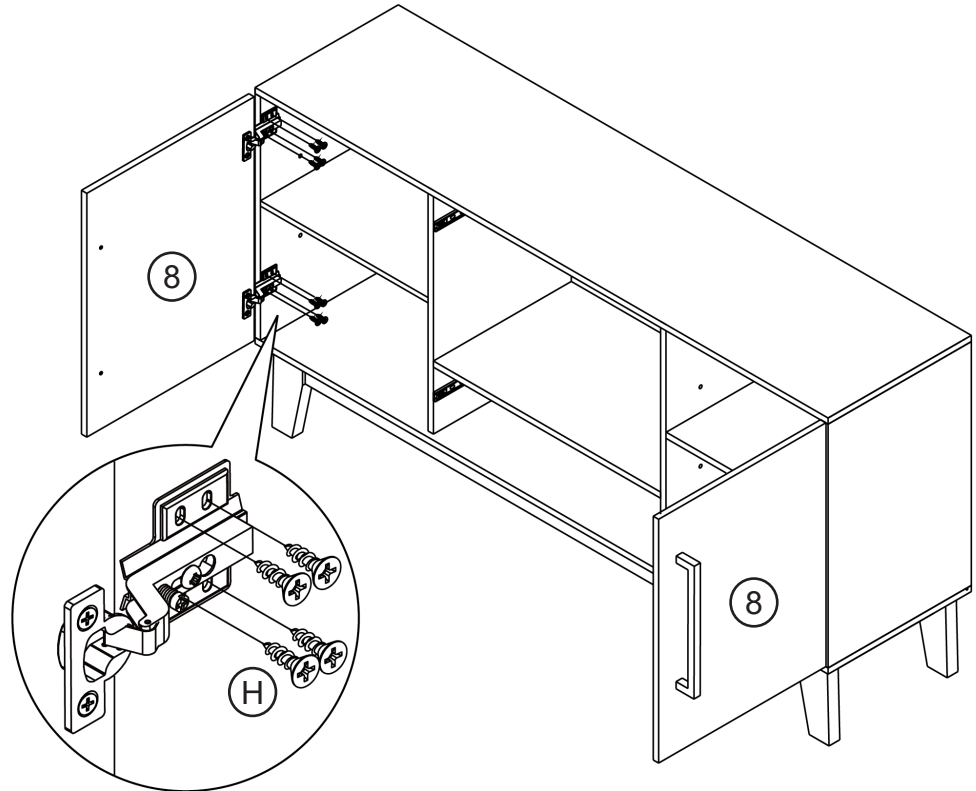


# 25

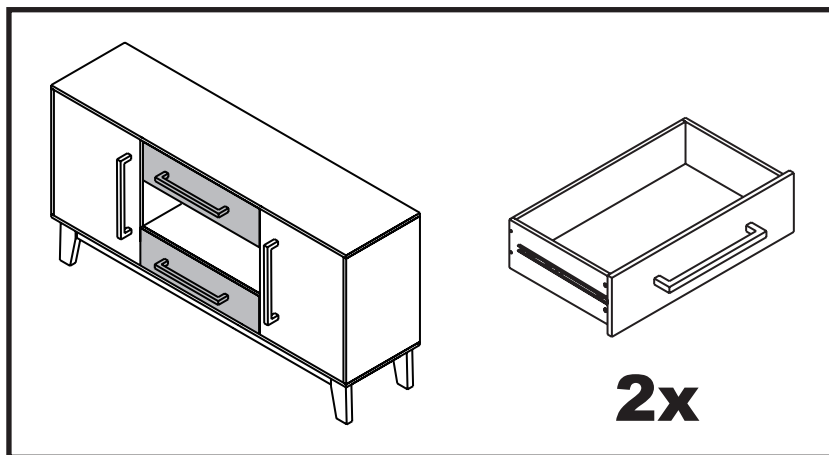
Attach cabinet doors to the sideboard.



(H) 16x

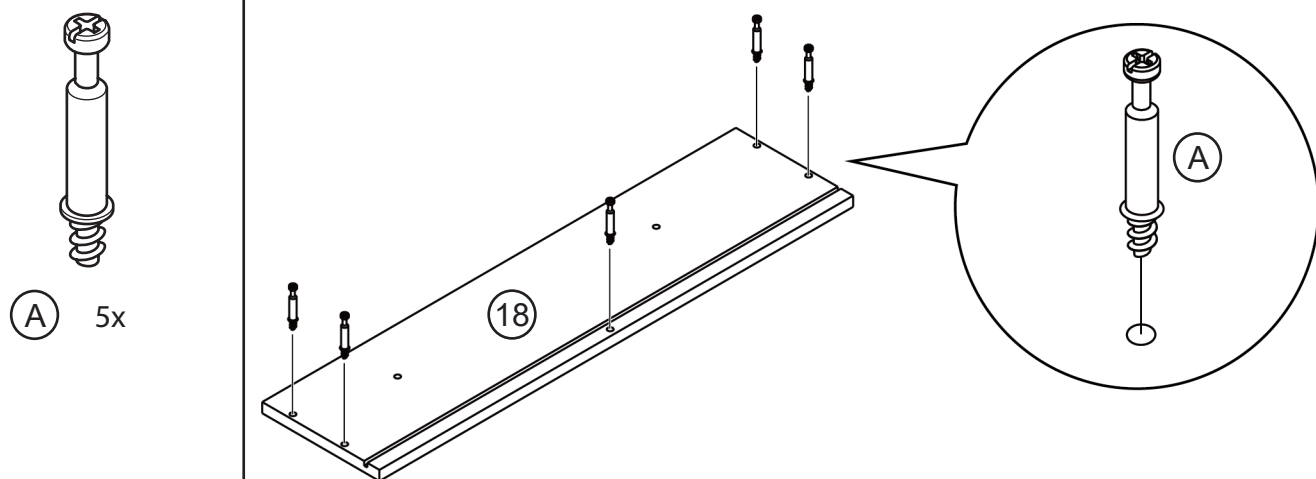


# 26



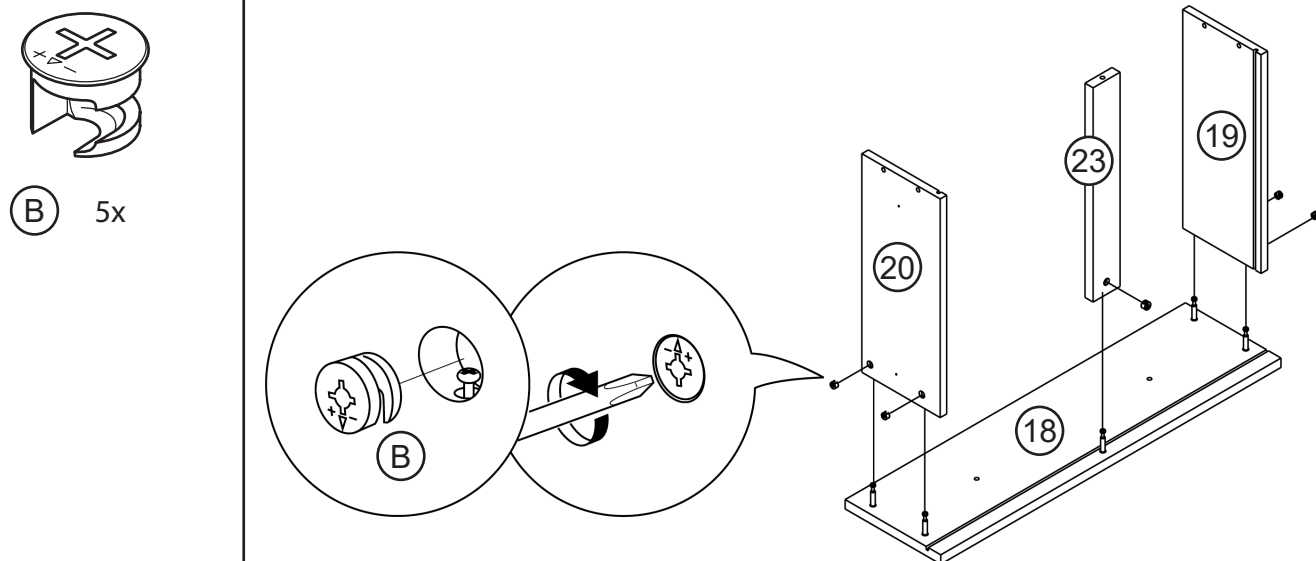
Assemble 2 drawers.

Attach cam bolts to the drawer front panel.



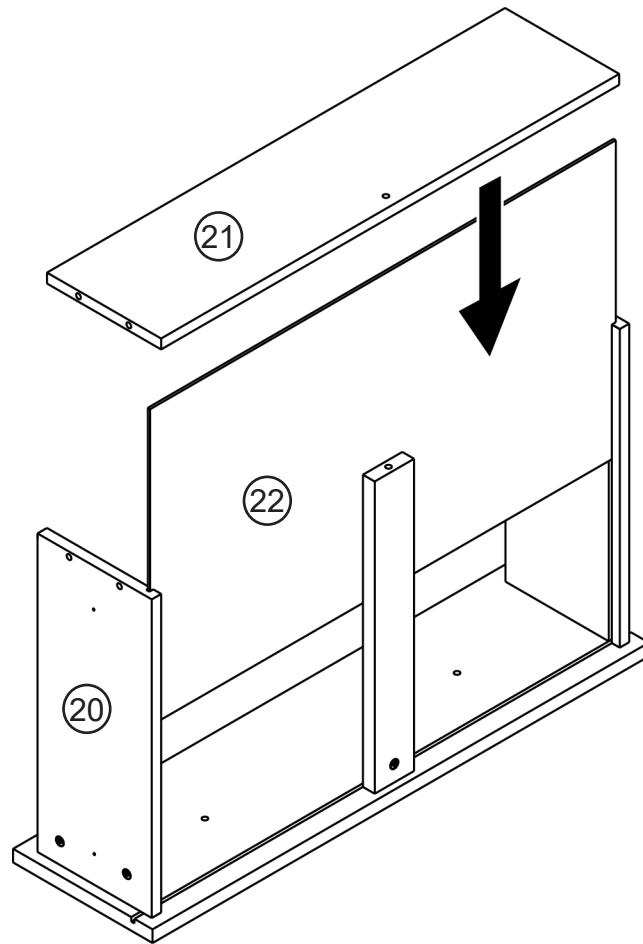
# 27

Attach drawer side panels and drawer crossbar to the drawer front panel.



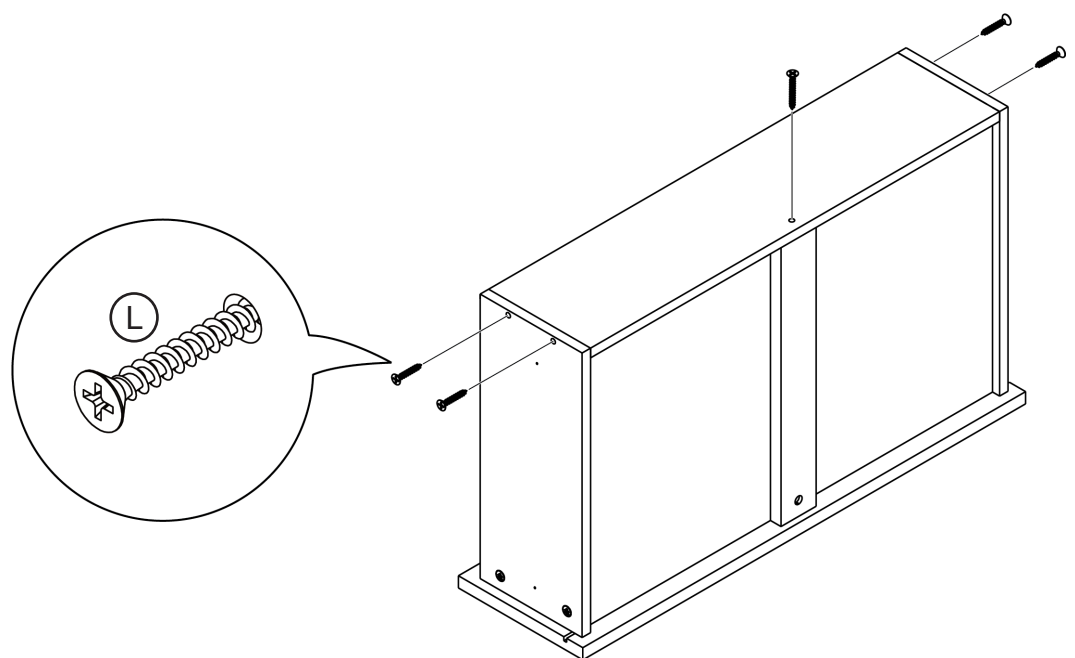
# 28

Slide the drawer bottom panel to the side panels.



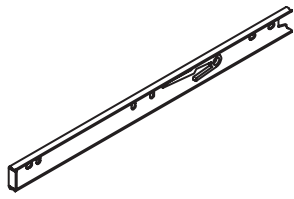
# 29

Secure the drawer back panel to the drawer.



# 30

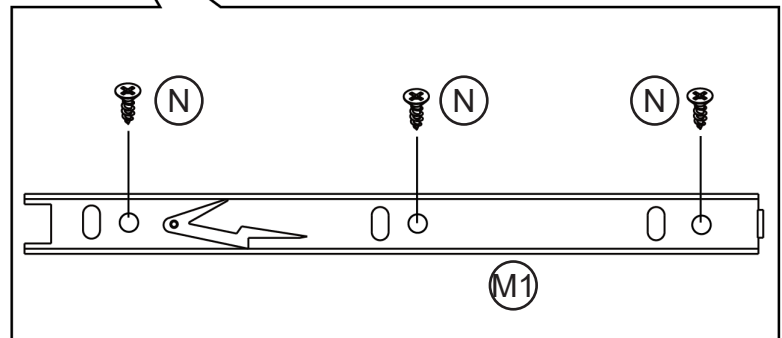
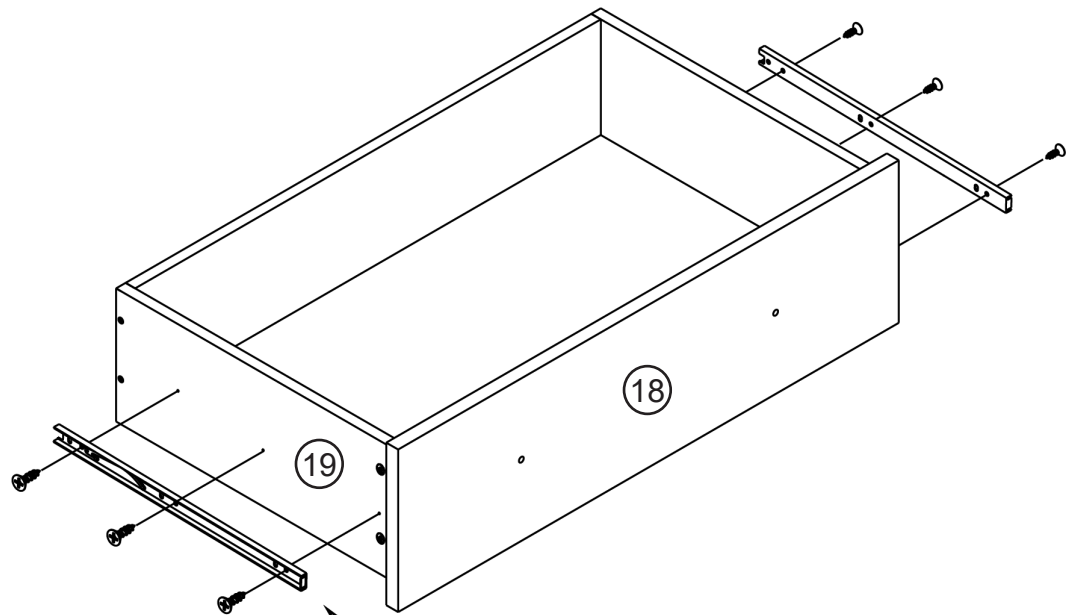
Attach the drawer slides to the drawers.



(M1) 2x

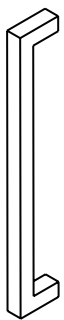


(N) 6x



# 31

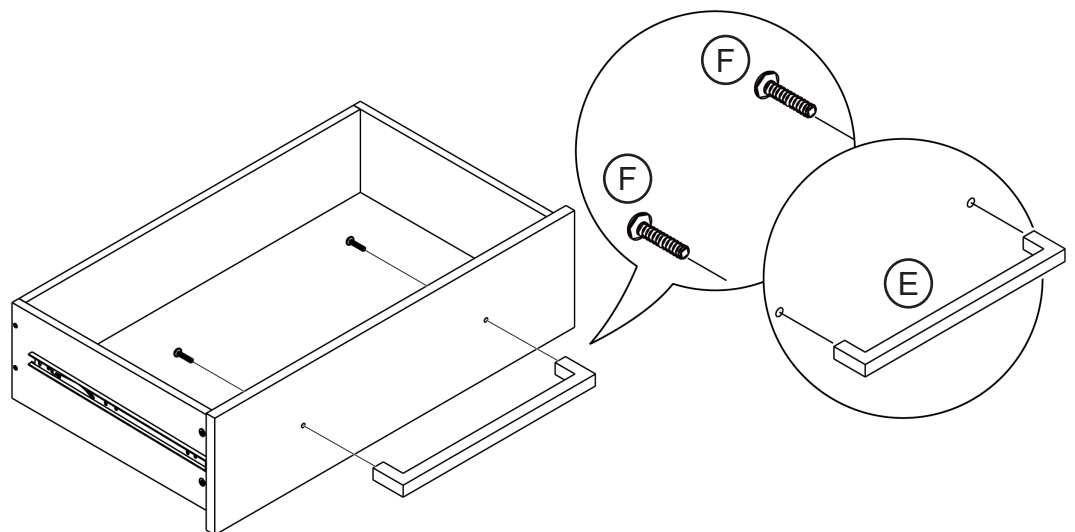
Attach the drawer handles to the drawers.



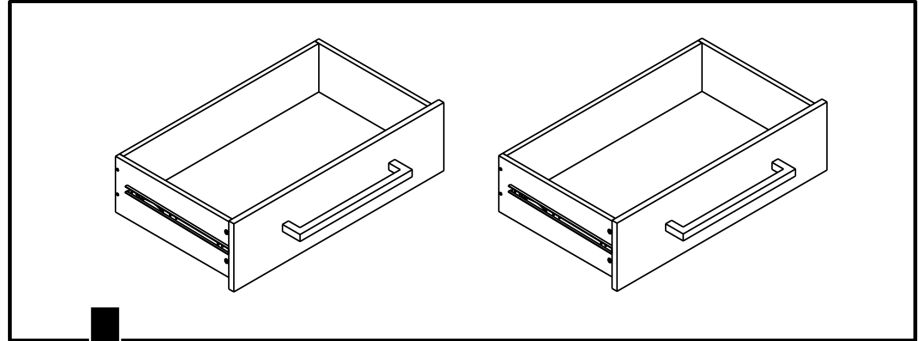
(E) 1x



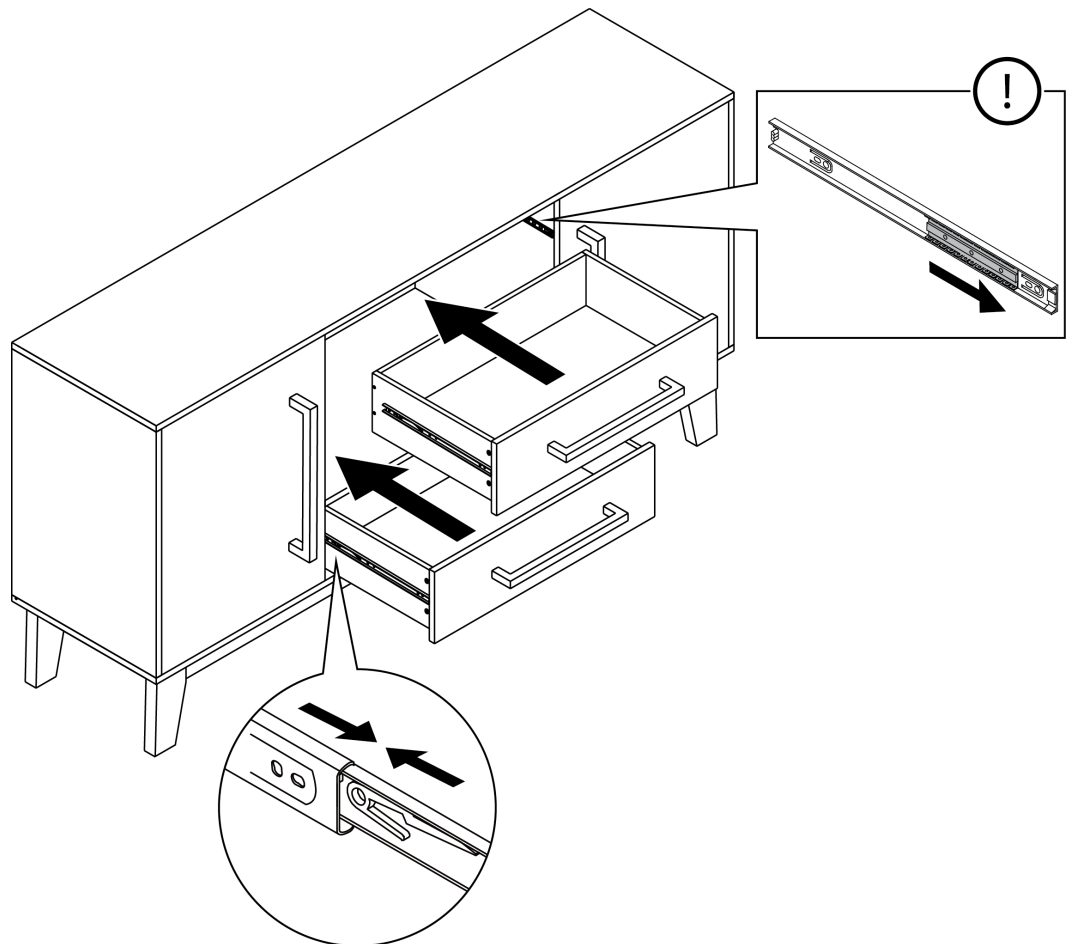
(F) 2x



Slide the drawers into the sideboard.

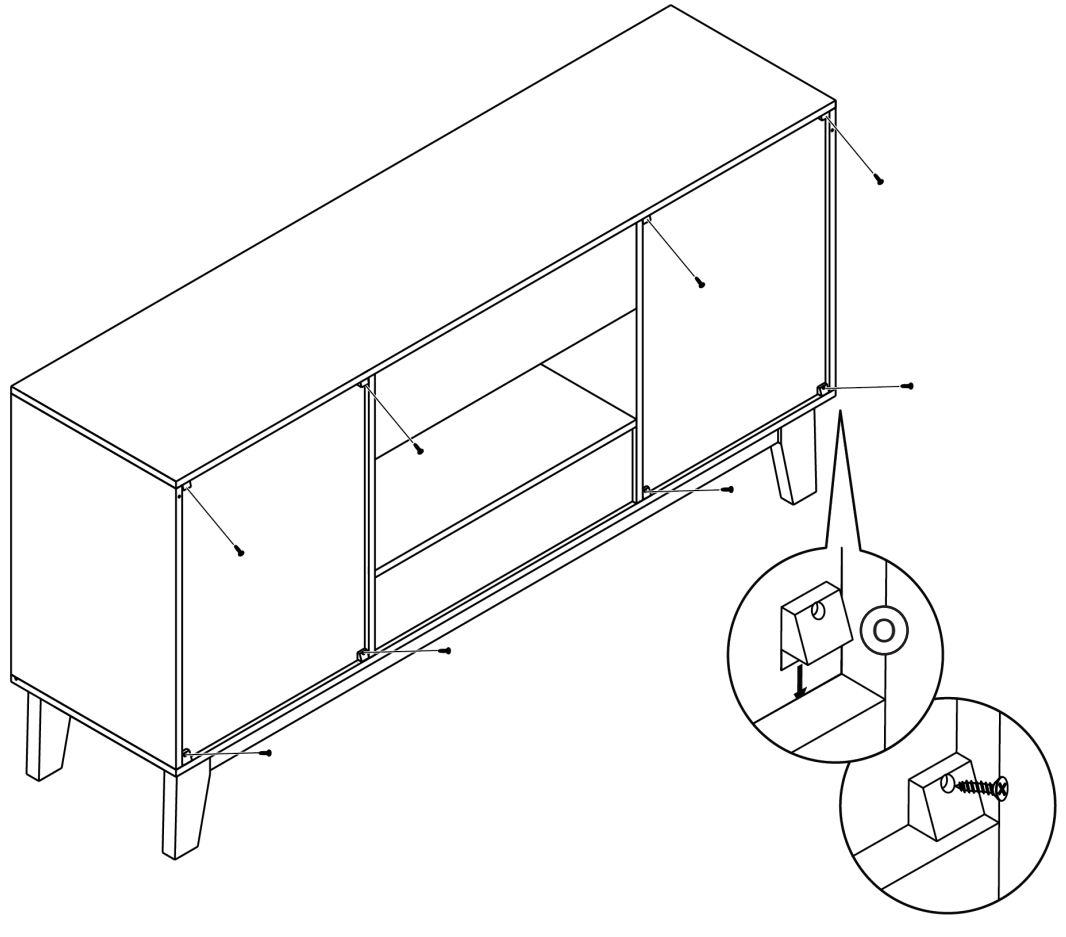
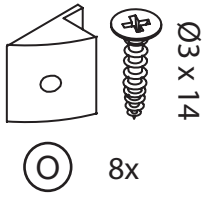


Make sure the slider is in the front position when attaching the drawer.



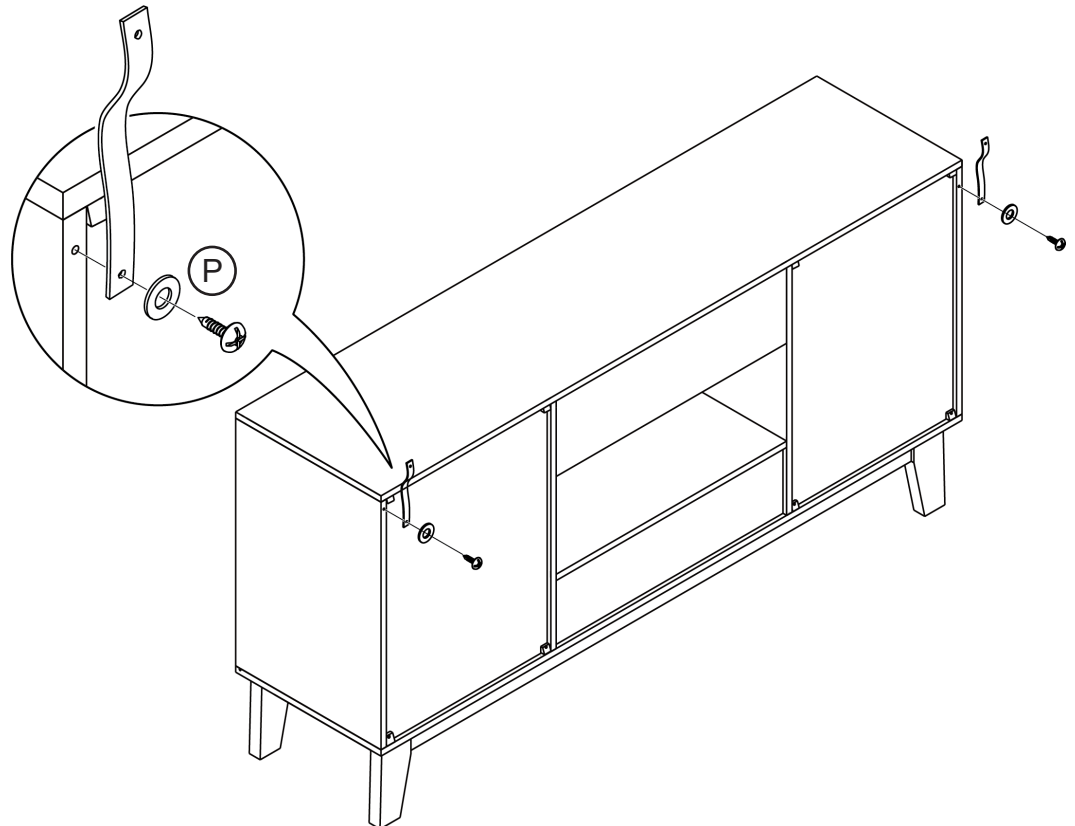
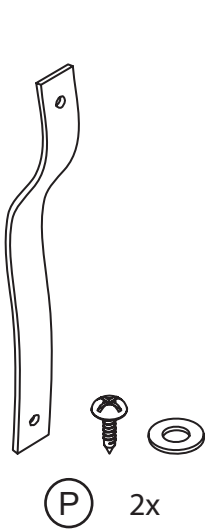
# 33

Secure the back panel in place.



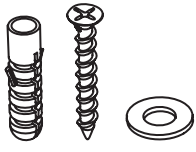
# 31

Attach anti-tipping strap to the back of the sideboard.

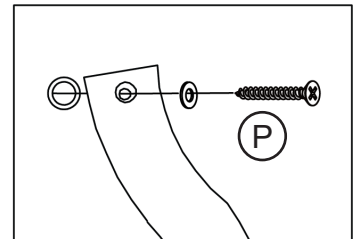
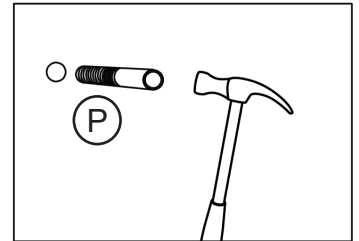
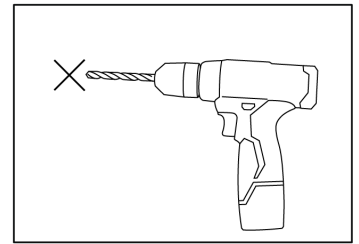
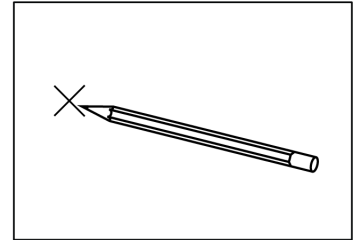
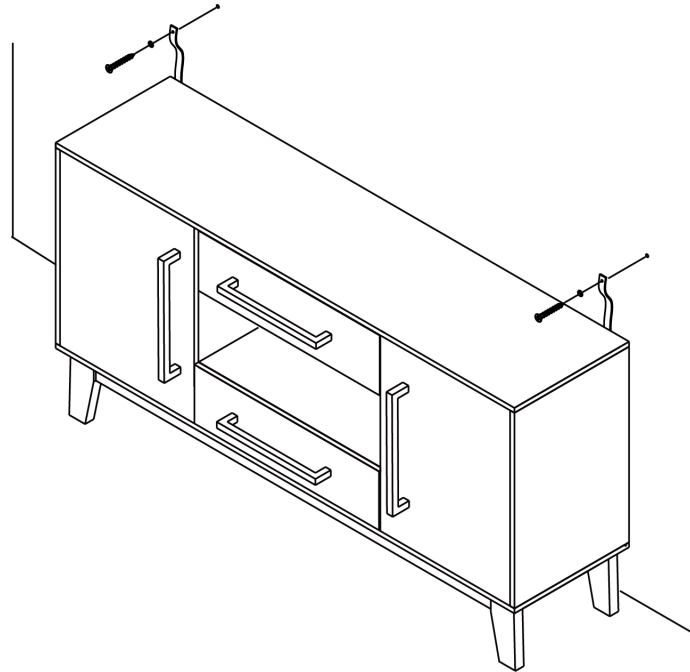


# 32

Attach the sideboard to a wall.

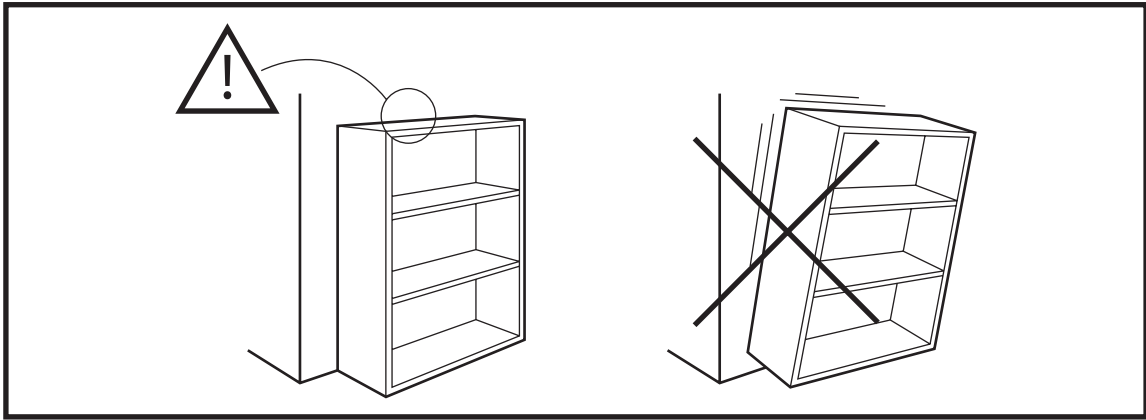


(P) 2x



Furniture must permanently fixed to the wall stud with included anti-tipping device to prevent the furniture from tipping over.

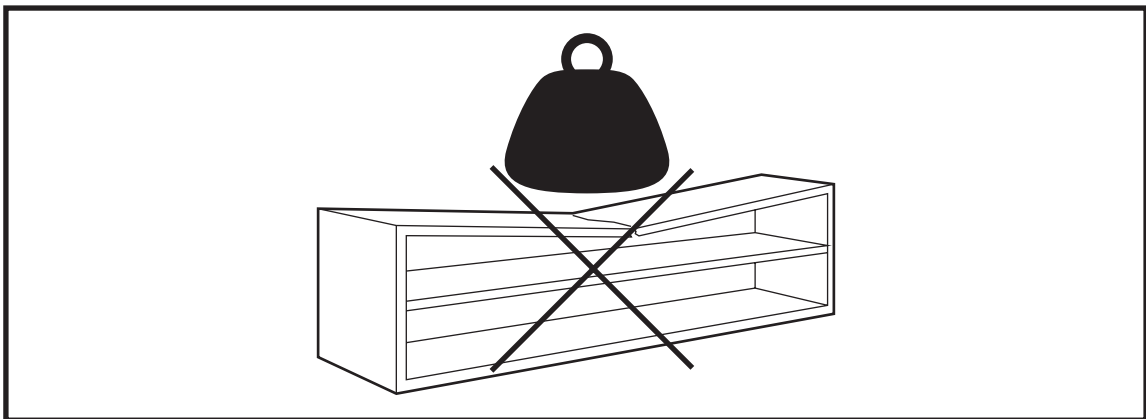
- Mark the drill position on the wall with a pencil.
- Drill a small hole on the marked position.
- Insert a wall anchor into the drilled hole.
- Fixed the anti-tipping strap to the wall with provided screws.



## Warning

Serious or fatal crushing injuries may occur if the furniture tip-over. Furniture must permanently affixed to the wall with included anti-tipping device in order to prevent the furniture from tipping over.

Different wall materials requires different types of wall anchors or screws. Use a suitable wall anchors or screws for your specific wall in order to secure the stability and load bearing capacity of the furniture. If you are uncertain about which type of device to use, please contact a hardware store.



## Warning

Only place items on top of the product if they meet the recommended size and weight limits.

Climbing on, stepping on, or placing overweighted objects on the product may cause property damage and/or injuries.

Items placed onto this product must be resting on a support surface without hanging over the edges.

# BELLEZE<sup>®</sup>

## FURNITURE CARE AND MAINTENANCE

Medium - Density Fiberboard

Thank you for your purchase. We want your item to last as long as possible. To ensure the product gives you years of longevity, please follow the recommendations in this care and maintenance guide.



### MAINTENANCE

- Tighten all bolts and screws again within the first 2 weeks of assembly.
- Check the tightness of all bolts every 2 months and tighten them if necessary.



### CLEANING

- Clean the surface of the MDF (medium - density fiberboard) with a lightly dampened cloth.
- A small amount of mild soap can be used if necessary.
- Dry the surface immediately after cleaning.

⚠ DO NOT use bleach or alcohol to clean the surface.

⚠ DO NOT apply wood treatment on parts made with MDF.

MDF will swell and distort when exposed to water damage. Make sure to dry the furniture immediately after cleaning.

### ⚠ WARNING

The manufacturer and seller are not responsible for any and all liability relating to personal injury, property damage or losses, whether direct, indirect, or incidental, resulting from the incorrect attachment, improper use, inadequate maintenance, unapproved modification or neglect of this product.

© All copyright of this document belongs to BELLEZE .  
This document may not be printed, translated, reproduced, or distributed in whole or in  
part without written permission from BELLEZE.

# WARRANTY

BELLEZE products come with a 1-year warranty from the date of delivery.  
**Register your product on our website to enjoy our limited lifetime warranty!**



## AFTER-SALE SERVICE



Encounter any difficulties or missing parts?



Contact us at **1-800-682-6376** or email us at **support@belleze.com**



We will send you replacement.



Hassle free!  
No need to worry about repackaging and sending your item back.

**We hope you enjoy your new BELLEZE furniture!**  
**Share your photos on Instagram and tag us: @bellezefurniture.**

**FOLLOW US:**



@bellezefurniture

**CONTACT INFO:**

support@belleze.com  
1-800-682-6376

**BELLEZE®**